

Instructions for Parts Books

The heading at the top of the page will be the same for the picture of the parts as it is for the page with the part numbers.

Definition of column headings on part number pages:

REF.No → The number referring to the part on the picture page of the parts book.

Part No. → The number assigned to this part at the time of printing the parts book.

Part Name → Description of part.

Q'ty → Quantity of part used on that page.

S.No. → Serial number range of the equipment that this part will fit.

>= Your serial number should be greater than or equal to the number shown.

<= Your serial number should be lesser than or equal to the serial number shown.

I/C → Interchangeability of part shown.

= The part shown will work for the older and later serial number.

NI The part shown is not interchangeable with the other serial number.

Remarks → Notes about this particular part. Sometimes this may say except [FR] or [CA]

Note about Country Codes:

The parts books we use in the United States of America may also contain information about a part that would be

different in another country. It is important that you are aware of the country codes in some instances.

Symbol Country

A United States of America

CA Canada

FR France

GR Greece

PO Portugal

AU Australia

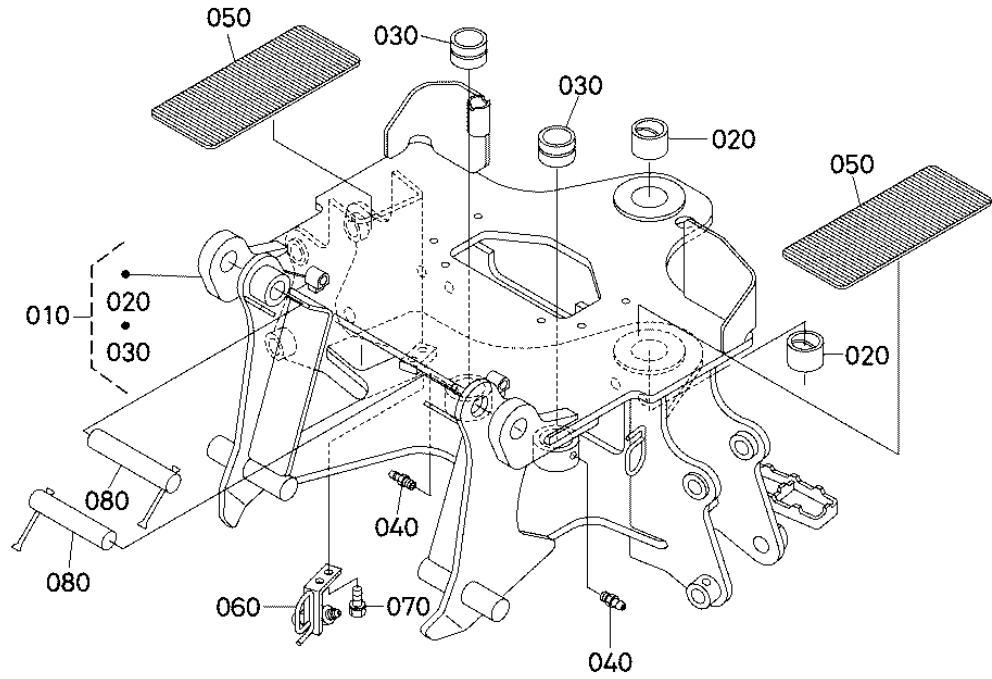
If the remarks column says for example EXCEPT [FR] this part works in all countries except France.

That means it will work here in the USA.

BT820



MAIN FRAME



7K523-001-10

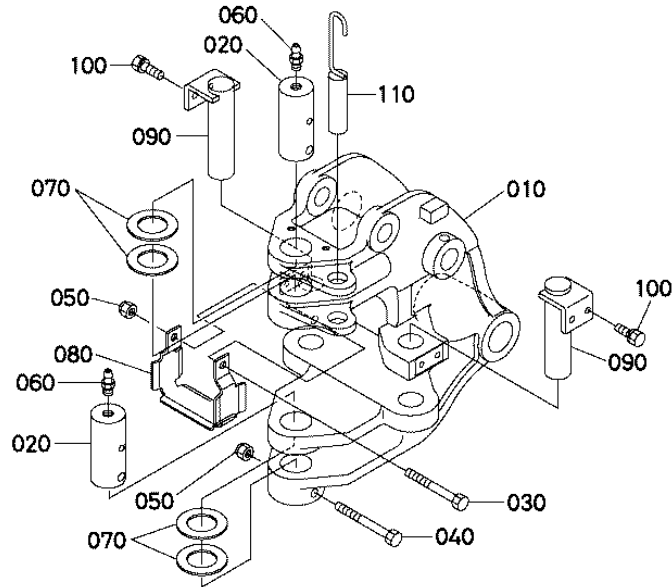
MAIN FRAME

Ref	Part Number	Part Name	Qty	IC	S/N	Lbs	Remarks
010	7K523-11015	FRAME COMP.MAIN	1			0	
020	75596-12253	BUSHING	2			0.374	
030	7K500-14120	BUSH	2			0.33	
040	75599-81541	FITTING GREASE	2			0.022	
050	7K501-11510	MAT	2			0	
060	7K523-11520	JOINT COUPLER	1			0	
070	01133-51020	BOLT	2			0.044	

MAIN FRAME

Ref	Part Number	Part Name	Qty	IC	S/N	Lbs	Remarks
080	7K501-16570	PIN MOUNT	2			0	

SWING FRAME



7K523-002-10

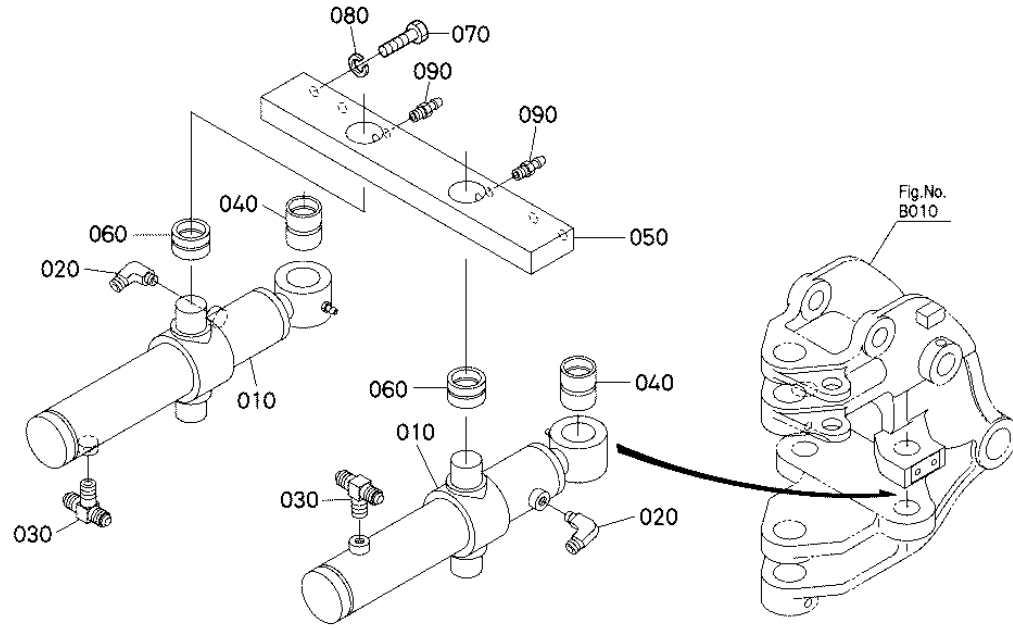
SWING FRAME

Ref	Part Number	Part Name	Qty	IC	S/N	Lbs	Remarks
010	7K523-12114	FRAME SWING	1			0	
020	7K501-12210	PIN	2			0	
030	01173-51000	BOLT	1			0.132	
040	01173-51090	BOLT	1			0.121	
050	02574-50100	NUT LOCK	2			0.015	
060	75599-81531	FITTING GREASE	2			0.015	
070	75596-12260	COLLAR THRUST	4			0.066	

SWING FRAME

Ref	Part Number	Part Name	Qty	IC	S/N	Lbs	Remarks
080	7K523-12283	GUIDE HOSE	1			0	
090	75595-14150	PIN	2			0	
100	01133-51016	BOLT	4			0.037	
110	7K522-14222	PIN LOCK	1			0	

SWING CYLINDER



7K523-003-11

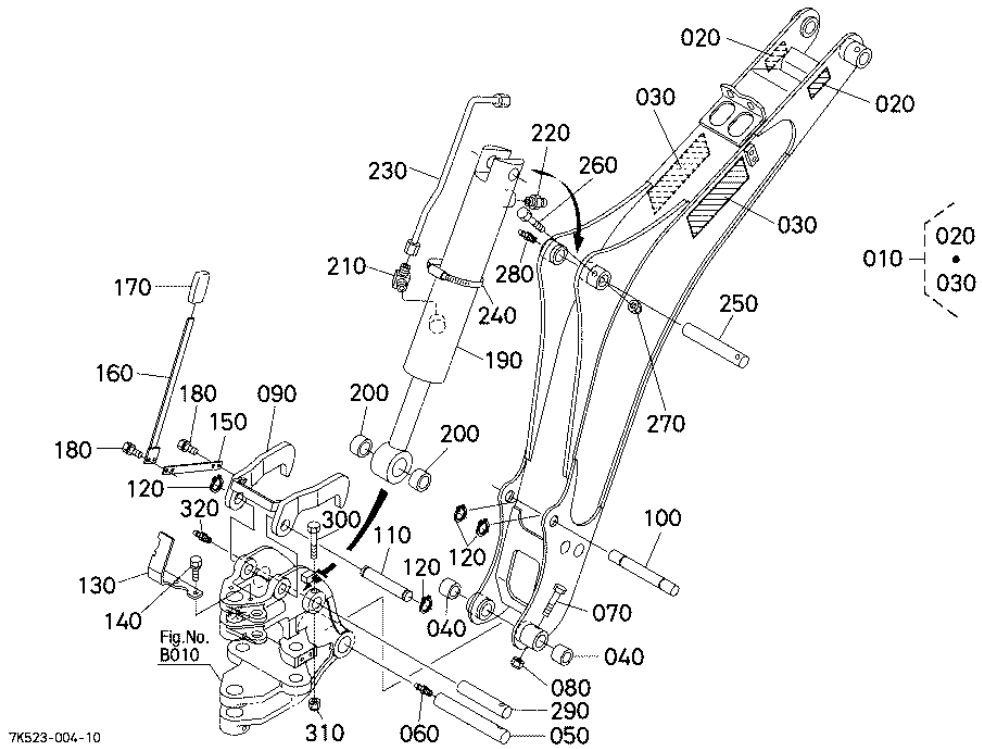
SWING CYLINDER

Ref	Part Number	Part Name	Qty	IC	S/N	Lbs	Remarks
010	7K523-13010	ASSY CYLINDER SWING	2			0	
020	K6072-63660	ADAPTER	2			0.094	
030	7K523-13370	ADAPTER TEE MALE	2			0	
040	7K500-13410	BUSH	2			0.44	
050	7K500-14110	SUPPORT CYLINDER	1			18.04	
060	7K500-14120	BUSH	2			0.33	
070	01173-51635	BOLT	4			0.017	

SWING CYLINDER

Ref	Part Number	Part Name	Qty	IC	S/N	Lbs	Remarks
080	04512-60160	WASHER SPRING	4			0.022	
090	75599-81531	FITTING GREASE	2			0.015	

BOOM



7K523-004-10

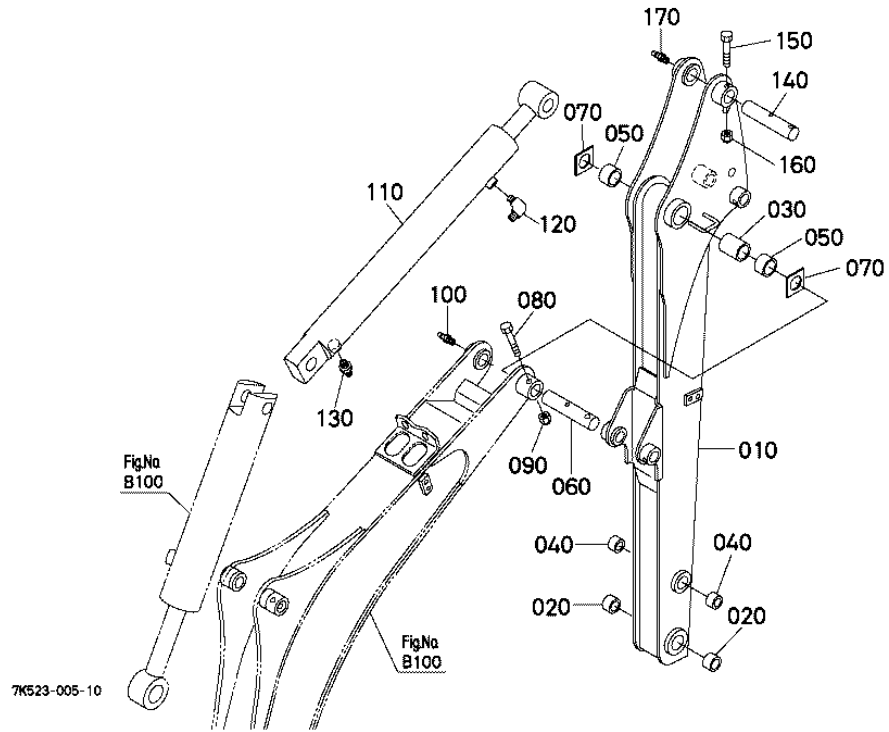
BOOM

Ref	Part Number	Part Name	Qty	IC	S/N	Lbs	Remarks
010	7K523-90120	BOOM COMP.LABEL	1			0	
020	75595-75170	LABEL WARNING	2			0.008	
030	TD060-80930	LABEL KUBOTA	2			0.015	
040	7K500-41220	BUSH	2			0.286	
050	75595-42620	PIN	1			2.805	
060	75599-81531	FITTING GREASE	1			0.015	
070	01173-51070	BOLT	1			0.096	

BOOM

Ref	Part Number	Part Name	Qty	IC	S/N	Lbs	Remarks
080	02574-50100	NUT LOCK	1			0.015	
090	7K523-21710	HOOK BOOM	1			0	
100	7K523-21730	PIN HOOK 2	1			0	
110	7K523-21740	PIN HOOK 2	1			0	
120	04612-00280	CIR CLIP EXTERNAL	4			0.006	
130	7K523-21810	BRACKET LEVER	1			0	
140	01133-51020	BOLT	2			0.044	
150	7K523-21863	LEVER BOOM	1			0	
160	7K523-21870	LEVER BOOM	1			0	
170	52300-32640	GRIP LEVER	1			0.088	
180	01123-50820	BOLT	4			0.024	
190	7K523-22010	ASSY CYLINDER BOOM	1			0	
200	78620-22410	BUSH	2			0.055	
210	K6072-63660	ADAPTER	1			0.094	
220	75536-66810	ADAPTER	1			0.088	
230	7K523-22060	TUBE ASSY.HYDRAULIC	1			0	
240	75595-43510	CLAMP HOSE	1			0.088	
250	7K523-23110	PIN	1			0	
260	01173-51070	BOLT	1			0.096	
270	02574-50100	NUT LOCK	1			0.015	
280	75599-81521	FITTING GREASE	1			0.006	
290	7K523-23150	PIN	1			0	
300	01173-51065	BOLT	1			0.088	
310	02574-50100	NUT LOCK	1			0.015	
320	75599-81521	FITTING GREASE	1			0.006	

DIPPERSTICK



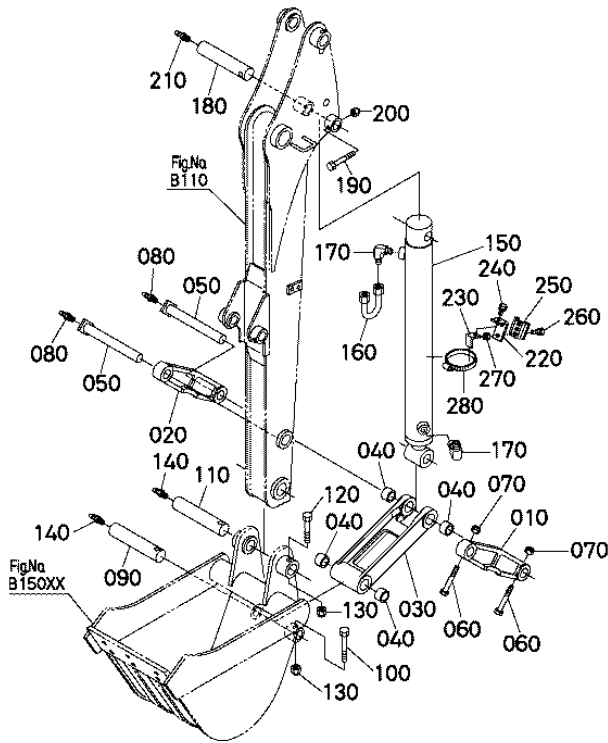
DIPPERSTICK

Ref	Part Number	Part Name	Qty	IC	S/N	Lbs	Remarks
010	7K523-31013	DIPPER COMP.	1			0	
020	78620-21450	RING INNER	2			0.143	
030	7K523-33140	COLLAR ARM	1			0	
040	38280-25350	RING INNER	2			0.088	
050	7K500-41220	BUSH	2			0.286	
060	75595-42620	PIN	1			2.805	
070	7K523-31550	SPACER	2			0	

DIPPERSTICK

Ref	Part Number	Part Name	Qty	IC	S/N	Lbs	Remarks
080	01173-51065	BOLT	1			0.088	
090	02574-50100	NUT LOCK	1			0.015	
100	75599-81531	FITTING GREASE	1			0.015	
110	7K523-32010	CYLINDER ASSY DIPPER	1			0	
120	K6072-63660	ADAPTER	1			0.094	
130	75536-66810	ADAPTER	1			0.088	
140	7K522-23110	PIN	1			0	
150	01173-51065	BOLT	1			0.088	
160	02574-50100	NUT LOCK	1			0.015	
170	75599-81521	FITTING GREASE	1			0.006	

BUCKET LINK



7K523-006-10

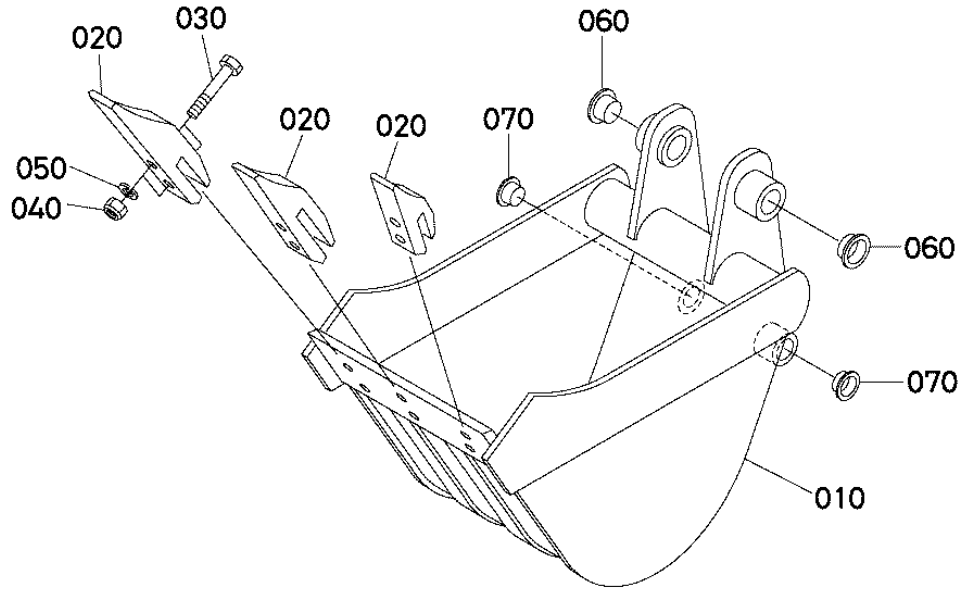
BUCKET LINK

Ref	Part Number	Part Name	Qty	IC	S/N	Lbs	Remarks
010	7K523-41110	GUIDE LINK	1			0	
020	7K523-41150	GUIDE LINK	1			0	
030	7K523-41210	LINK BUCKET	1			0	
040	38280-25350	RING INNER	4			0.088	
050	75596-42610	PIN	2			1.386	
060	01173-51065	BOLT	2			0.088	
070	02574-50100	NUT LOCK	2			0.015	

BUCKET LINK

Ref	Part Number	Part Name	Qty	IC	S/N	Lbs	Remarks
080	75599-81521	FITTING GREASE	2			0.006	
090	75596-23150	PIN	1			2.266	
100	01173-51065	BOLT	1			0.088	
110	75596-51210	PIN	1			1.331	
120	01173-51055	BOLT	1			0.079	
130	02574-50100	NUT LOCK	2			0.015	
140	75599-81521	FITTING GREASE	2			0.006	
150	7K523-43010	CYLINDER ASSY BUCKET	1			0	
160	7K522-43060	TUBE ASSY.HYDRAULIC	1			0	
170	7K523-43370	ELBOW	2			0	
180	75598-33110	PIN	1			1.045	
190	01053-50655	BOLT	1			0.028	
200	02552-50060	NUT LOCK	1			0.004	
210	75599-81521	FITTING GREASE	1			0.006	
220	75590-44210	CLAMP 1 SMV MARK	1			0.319	
230	7K500-44220	CLAMP 1 SMV MARK	1			0.176	
240	01133-51020	BOLT	1			0.044	
250	7L500-89930	SOCKET-MTG SMV	1			0.11	
260	7L500-89810	BOLT SQUARE NECK	2			0.024	
270	75599-31012	NUT	2			0.015	
280	75540-64940	CLAMP HOSE	1			0.006	

BUCKET

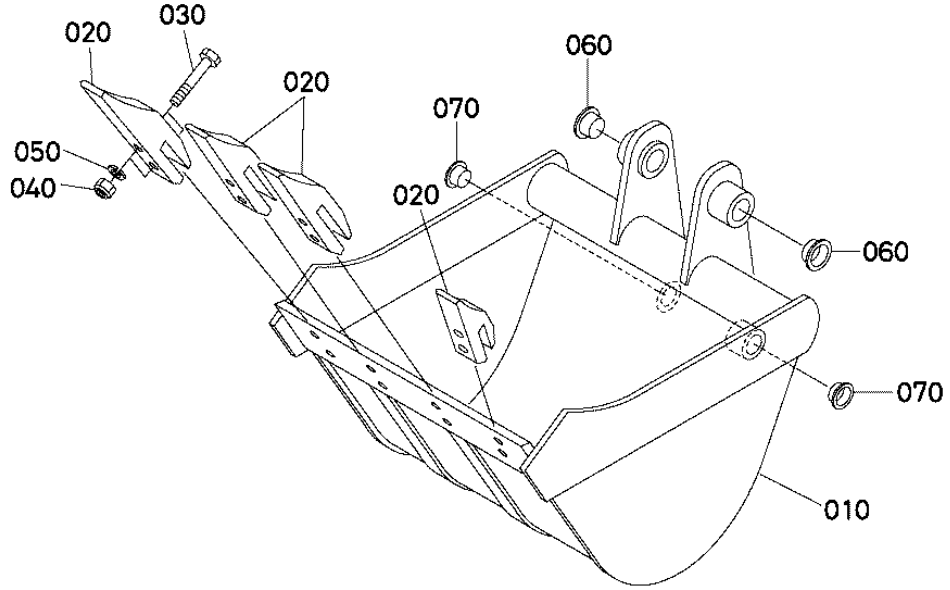


7K523-007-10

BUCKET

Ref	Part Number	Part Name	Qty	IC	S/N	Lbs	Remarks
010	7K523-42020	BUCKET COMP.12	1			0	
020	7K523-42570	TEETH	3			0	
030	75599-04540	HEX.BOLT	6			0.140	
040	75599-31025	HEX.NUT	6			0.033	
050	75599-33015	WASHER SPRING LOCK	6			0.013	
060	7K523-42580	CAP	2			0	
070	75590-42580	CAP	2			0.004	

BUCKET

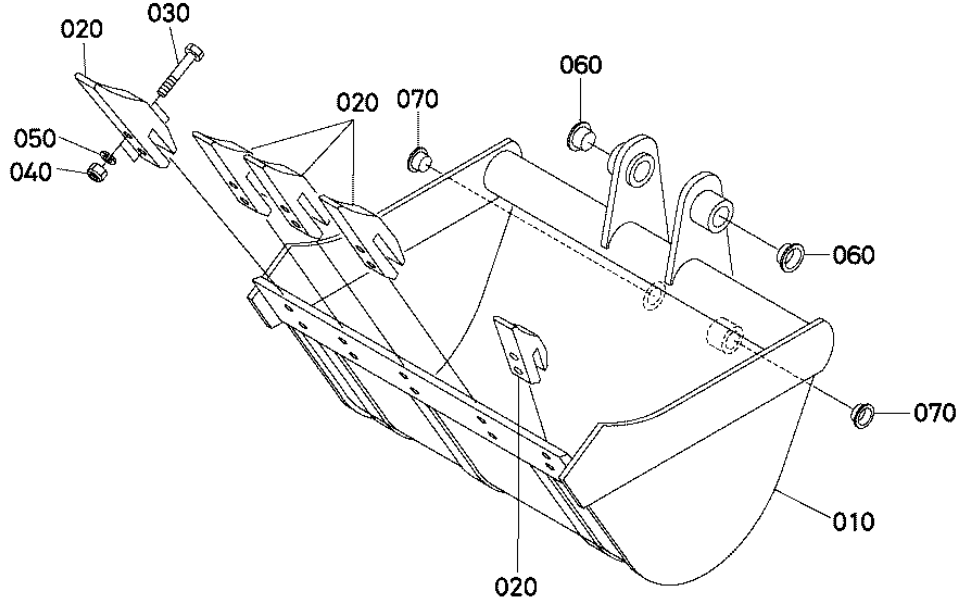


7K523-008-10

BUCKET

Ref	Part Number	Part Name	Qty	IC	S/N	Lbs	Remarks
010	7K523-42070	BUCKET COMP.18	1			0	
020	7K523-42570	TEETH	4			0	
030	75599-04540	HEX.BOLT	8			0.140	
040	75599-31025	HEX.NUT	8			0.033	
050	75599-33015	WASHER SPRING LOCK	8			0.013	
060	7K523-42580	CAP	2			0	
070	75590-42580	CAP	2			0.004	

BUCKET

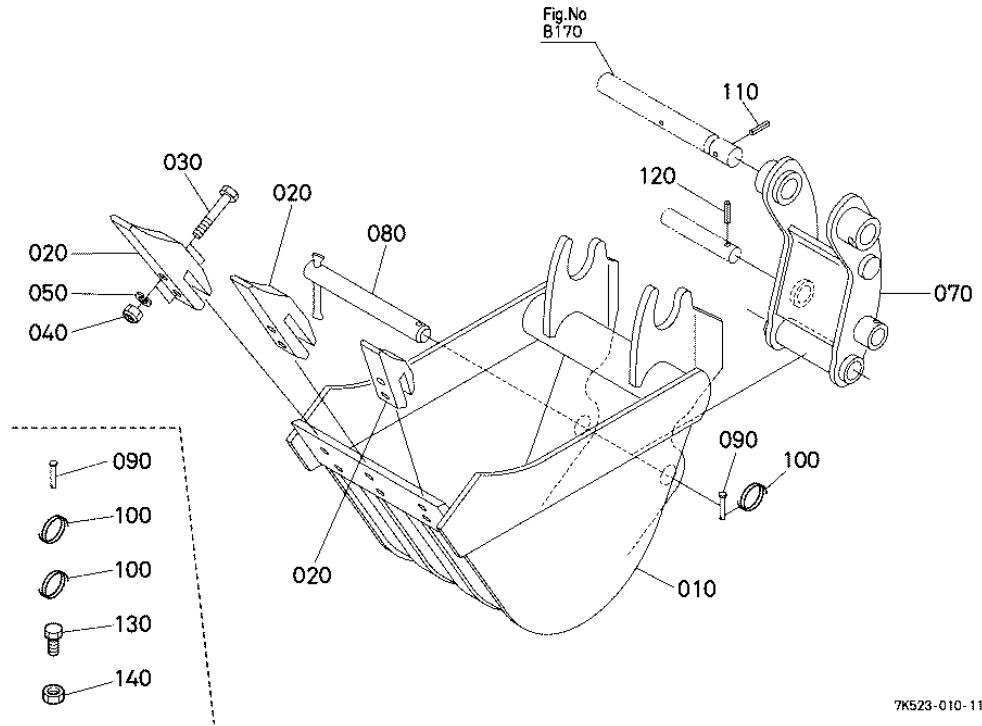


7K523-009-10

BUCKET

Ref	Part Number	Part Name	Qty	IC	S/N	Lbs	Remarks
010	7K523-42040	BUCKET COMP.24	1			0	
020	7K523-42570	TEETH	5			0	
030	75599-04540	HEX.BOLT	10			0.140	
040	75599-31025	HEX.NUT	10			0.033	
050	75599-33015	WASHER SPRING LOCK	10			0.013	
060	7K523-42580	CAP	2			0	
070	75590-42580	CAP	2			0.004	

BUCKET



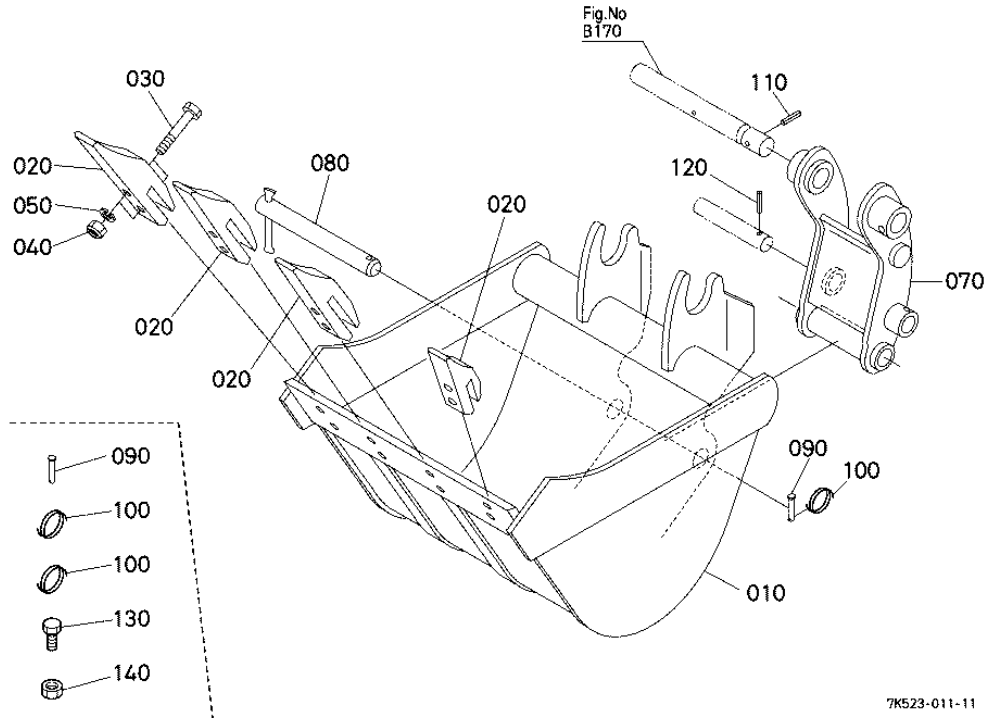
BUCKET

Ref	Part Number	Part Name	Qty	IC	S/N	Lbs	Remarks
010	7K523-82010	BUCKET COMP.12	1			0	
020	7K523-42570	TEETH	3			0	
030	75599-04540	HEX.BOLT	6			0.140	
040	75599-31025	HEX.NUT	6			0.033	
050	75599-33015	WASHER SPRING LOCK	6			0.013	
070	7K523-83110	COUPLER WELDMENT	1			0	
080	7K523-83210	PIN COUPLER	1			0	

BUCKET

Ref	Part Number	Part Name	Qty	IC	S/N	Lbs	Remarks
090	75599-51330	PIN CLEVIS	2		>=A0174	0	
090	75599-51330	PIN CLEVIS	1		<=A0173	0	
100	K5112-72730	RING SNAP	3		>=A0174	0.022	
100	K5112-72730	RING SNAP	1		<=A0173	0.022	
110	05411-01045	PIN SPRING	1			0.037	
120	05411-01036	PIN SPRING	1			0.022	
130	75599-04330	HEX.BOLT	1		>=A0174	0.077	
140	75599-31923	NUT LOCKING	1		>=A0174	0.015	

BUCKET



7K523-011-11

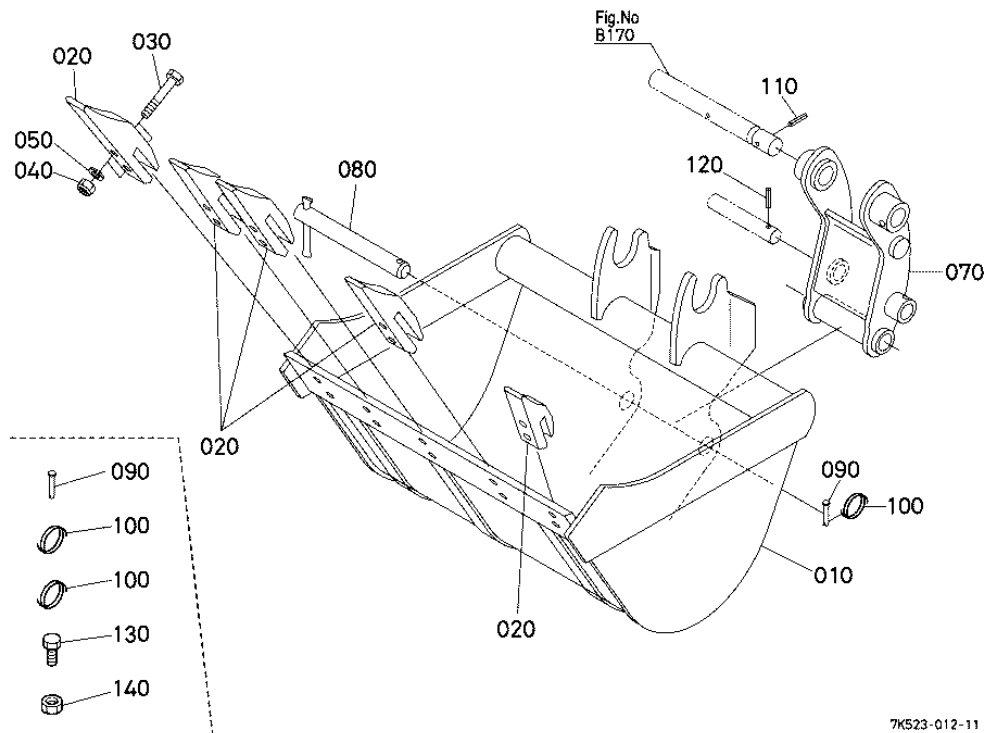
BUCKET

Ref	Part Number	Part Name	Qty	IC	S/N	Lbs	Remarks
010	7K523-82070	BUCKET COMP.18	1			0	
020	7K523-42570	TEETH	4			0	
030	75599-04540	HEX.BOLT	8			0.140	
040	75599-31025	HEX.NUT	8			0.033	
050	75599-33015	WASHER SPRING LOCK	8			0.013	
070	7K523-83110	COUPLER WELDMENT	1			0	
080	7K523-83210	PIN COUPLER	1			0	

BUCKET

Ref	Part Number	Part Name	Qty	IC	S/N	Lbs	Remarks
090	75599-51330	PIN CLEVIS	2		>=A0174	0	
090	75599-51330	PIN CLEVIS	1		<=A0173	0	
100	K5112-72730	RING SNAP	3		>=A0174	0.022	
100	K5112-72730	RING SNAP	1		<=A0173	0.022	
110	05411-01045	PIN SPRING	1			0.037	
120	05411-01036	PIN SPRING	1			0.022	
130	75599-04330	HEX.BOLT	1		>=A0174	0.077	
140	75599-31923	NUT LOCKING	1		>=A0174	0.015	

BUCKET



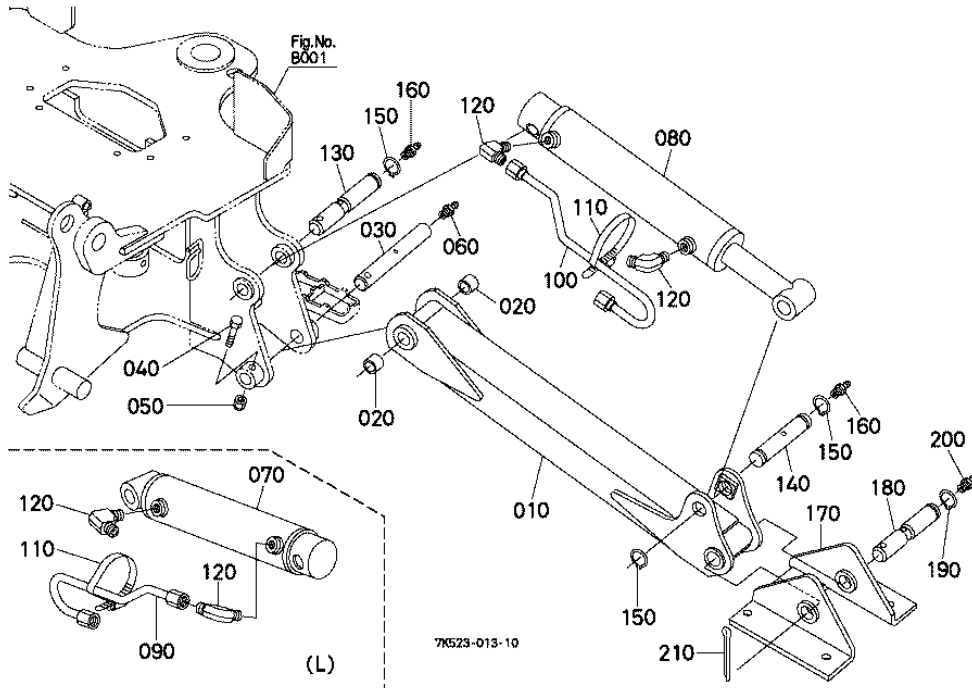
BUCKET

Ref	Part Number	Part Name	Qty	IC	S/N	Lbs	Remarks
010	7K523-82040	BUCKET COMP.24	1			0	
020	7K523-42570	TEETH	5			0	
030	75599-04540	HEX.BOLT	10			0.140	
040	75599-31025	HEX.NUT	10			0.033	
050	75599-33015	WASHER SPRING LOCK	10			0.013	
070	7K523-83110	COUPLER WELDMENT	1			0	
080	7K523-83210	PIN COUPLER	1			0	

BUCKET

Ref	Part Number	Part Name	Qty	IC	S/N	Lbs	Remarks
090	75599-51330	PIN CLEVIS	2		>=A0174	0	
090	75599-51330	PIN CLEVIS	1		<=A0173	0	
100	K5112-72730	RING SNAP	3		>=A0174	0.022	
100	K5112-72730	RING SNAP	1		<=A0173	0.022	
110	05411-01045	PIN SPRING	1			0.037	
120	05411-01036	PIN SPRING	1			0.022	
130	75599-04330	HEX.BOLT	1		>=A0174	0.077	
140	75599-31923	NUT LOCKING	1		>=A0174	0.015	

STABILIZER ARM



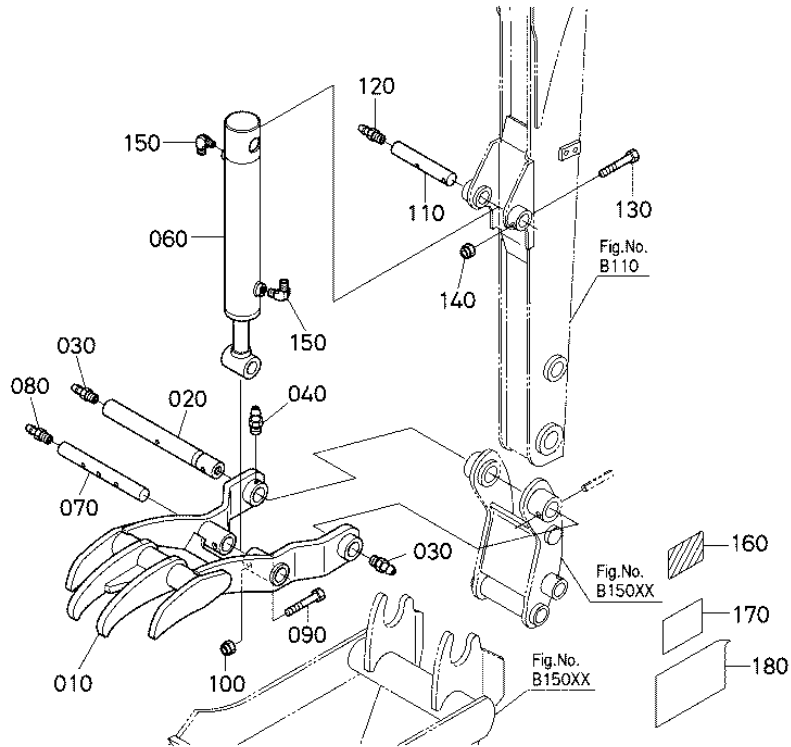
STABILIZER ARM

Ref	Part Number	Part Name	Qty	IC	S/N	Lbs	Remarks
010	7K523-51010	ARM COMP.STABILIZER	2			0	
020	38280-25350	RING INNER	4			0.088	
030	75596-51210	PIN	2			1.331	
040	01173-51055	BOLT	2			0.079	
050	02574-50100	NUT LOCK	2			0.015	
060	75599-81521	FITTING GREASE	2			0.006	
070	7K523-52010	CYLINDER ASSY.LH ST	1			0	

STABILIZER ARM

Ref	Part Number	Part Name	Qty	IC	S/N	Lbs	Remarks
080	7K523-52020	CYLINDER ASSY.RH ST	1			0	
090	75597-52060	COMP PIPE LH	1			0.33	
100	75597-52070	COMP PIPE RH	1			0.33	
110	75595-43510	CLAMP HOSE	2			0.088	
120	K6072-63660	ADAPTER	4			0.094	
130	75598-53110	PIN	2			1.166	
140	75596-53150	PIN	2			0.77	
150	75599-41531	CIR-CLIP EXTERNAL	8			0.008	
160	75599-81521	FITTING GREASE	4			0.006	
170	7K523-53303	PAD STABILIZER	2			0	
180	75598-53110	PIN	2			1.166	
190	75599-41531	CIR-CLIP EXTERNAL	2			0.008	
200	75599-81521	FITTING GREASE	2			0.006	
210	05511-50650	PIN SPLIT	2			0.030	

THUMB ARM



7K523-014-11

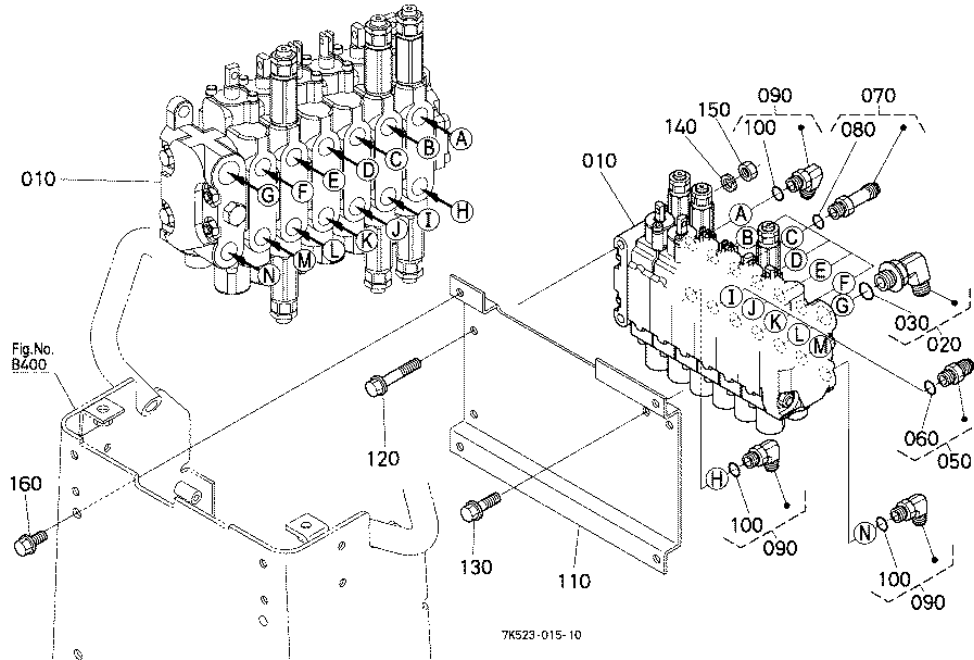
THUMB ARM

Ref	Part Number	Part Name	Qty	IC	S/N	Lbs	Remarks
010	7K523-84112	WELDMENT THUMB	1	NI	>=A0174	0	
010	7K523-84110	WELDMENT THUMB	1		<=A0173	0	
020	7K523-84250	PIN THUMB	1		<=A0173	0	
020	7K523-84253	PIN	1	NI	>=A0174	0	
030	75599-81521	FITTING GREASE	1		<=A0173	0.006	
030	75599-81521	FITTING GREASE	2		>=A0174	0.006	
040	75599-81520	FITTING GREASE	1		>=A0174	0.006	

THUMB ARM

Ref	Part Number	Part Name	Qty	IC	S/N	Lbs	Remarks
060	7K523-84300	CYLINDER THUMB	1			0	
070	75596-33150	PIN	1			1.518	
080	75599-81521	FITTING GREASE	1			0.006	
090	01173-51055	BOLT	1			0.079	
100	02574-50100	NUT LOCK	1			0.015	
110	75598-33110	PIN	1			1.045	
120	75599-81521	FITTING GREASE	1			0.006	
130	01053-50655	BOLT	1			0.028	
140	02552-50060	NUT LOCK	1			0.004	
150	K6072-63660	ADAPTER	2			0.094	
160	7K523-84500	LABEL MODEL BT1975	1			0	
170	7K523-84520	LABEL WARNING THUMB	1			0	
180	7K523-84533	MANUAL INSTRUCTION S	1	NI	>=A0450	0	
180	7K523-84530	MANUAL INSTRUCTION S	1		<=A0449	0	

CONTROL VALVE



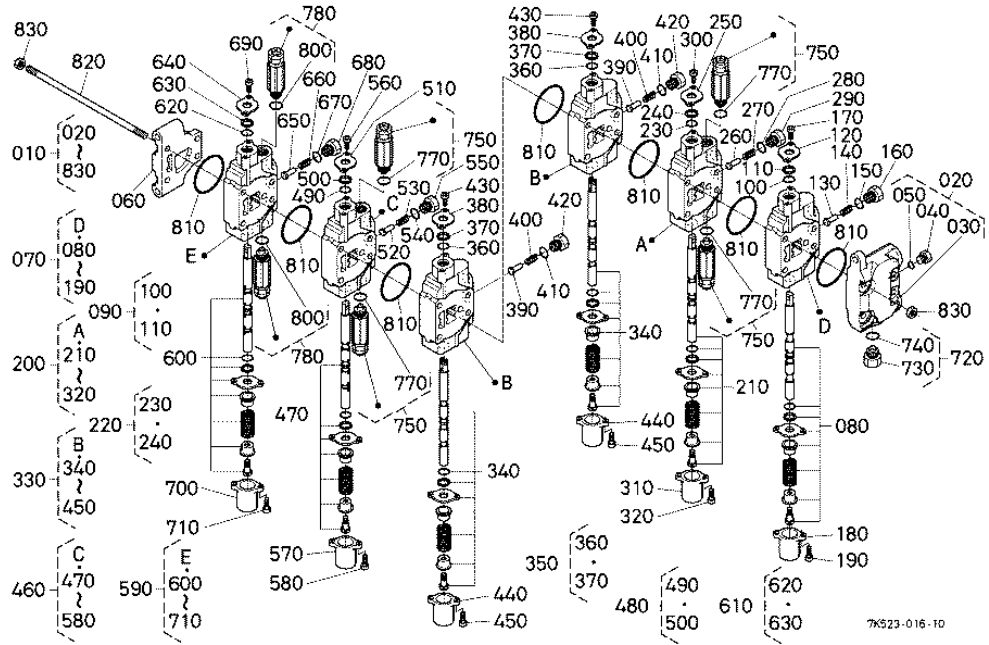
CONTROL VALVE

Ref	Part Number	Part Name	Qty	IC	S/N	Lbs	Remarks
010	7K523-85010	ASSY VALVE CONTROL	1			0	BT820V
010	7K500-63010	ASSY VALVE CONTROL	1			30.14	BT820
020	75580-61800	ASSY ADAPTER	1			0.132	
030	75540-61820	O-RING	1			0.002	
050	7K500-63800	ASSY JOINT PIPE	5			0.074	
060	75595-64220	O-RING	5			0.002	
070	7K500-63900	ASSY JOINT PIPE	5			0.123	

CONTROL VALVE

Ref	Part Number	Part Name	Qty	IC	S/N	Lbs	Remarks
080	75595-64220	O-RING	5			0.002	
090	75595-64200	ASSY ELBOW ADJUSTA	3			1.144	
100	75595-64220	O-RING	3			0.002	
110	7K523-61240	STAY VALVE	1			0	
120	01774-51055	BOLT FLANGE	2			0.088	
130	01774-51030	BOLT FLANGE	1			0.044	
140	04512-60100	WASHER SPRING	3			0.004	
150	02176-50100	NUT	3			0.011	
160	01774-61020	BOLT FLANGE	4			0.048	

CONTROL VALVE [COMPONENT PARTS] ## [BT820]



CONTROL VALVE [COMPONENT PARTS]

Ref	Part Number	Part Name	Qty	IC	S/N	Lbs	Remarks
010	7K500-63010	ASSY VALVE CONTROL	1			30.14	
020	7K500-63040	ASSY BODY INLET	1			2.97	
030	7K500-63070	BODY INLET	1			0.088	
040	7K500-63080	PLUG	1			0.088	
050	7K500-63090	O RING	1			0.002	
060	7K500-63050	COVER END	1			1.32	
070	7K500-63200	ASSY VALVE BUCKET	1			3.828	

CONTROL VALVE [COMPONENT PARTS]

Ref	Part Number	Part Name	Qty	IC	S/N	Lbs	Remarks
080	7K500-63250	ASSY SPOOL BUCKET	1			0.352	
090	7K500-99800	KIT SEAL	1			0.435	
100	04816-00120	O RING	1			0.002	
110	RB401-70510	WIPER(DUST)	1			0.002	
120	RB401-70300	PLATE(OIL SEAL)	1			0.017	
130	RB401-70340	SPOOL	1			0.015	
140	RB401-70530	SPRING	1			0.002	
150	04817-00110	O RING	1			0.002	
160	RB401-70400	PLUG(CHECK VALVE)	1			0.059	
170	01350-10510	BOLT HEX-SOC-HD	2			0.006	
180	RB401-70290	CAP	1			0.068	
190	RA011-70830	BOLT	2			0.019	
200	7K500-63300	VALVE ASSY.DIPPER	1			3.806	
210	7K500-63350	SPOOL ASSY.DIPPER	1			0.374	
220	7K500-99800	KIT SEAL	1			0.435	
230	04816-00120	O RING	1			0.002	
240	RB401-70510	WIPER(DUST)	1			0.002	
250	RB401-70300	PLATE(OIL SEAL)	1			0.017	
260	RB401-70340	SPOOL	1			0.015	
270	RB401-70530	SPRING	1			0.002	
280	04817-00110	O RING	1			0.002	
290	RB401-70400	PLUG(CHECK VALVE)	1			0.059	
300	01350-10510	BOLT HEX-SOC-HD	2			0.006	
310	RB401-70290	CAP	1			0.068	
320	RA011-70830	BOLT	2			0.019	
330	7K500-63400	ASSY VALVE STABI.	2			3.85	

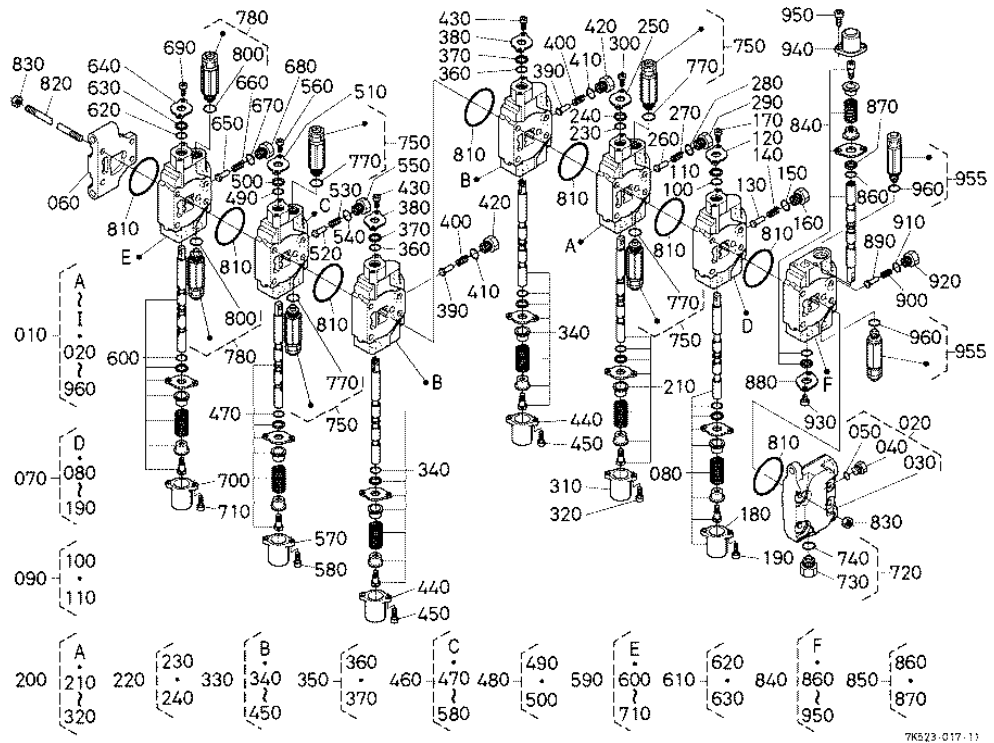
CONTROL VALVE [COMPONENT PARTS]

Ref	Part Number	Part Name	Qty	IC	S/N	Lbs	Remarks
340	7K500-63450	ASSY SPOOL STABI.	2			0.374	
350	7K500-99800	KIT SEAL	2			0.435	
360	04816-00120	O RING	2			0.002	
370	RB401-70510	WIPER(DUST)	2			0.002	
380	RB401-70300	PLATE(OIL SEAL)	2			0.017	
390	RB401-70340	SPOOL	2			0.015	
400	RB401-70530	SPRING	2			0.002	
410	04817-00110	O RING	2			0.002	
420	RB401-70400	PLUG(CHECK VALVE)	2			0.059	
430	01350-10510	BOLT HEX-SOC-HD	4			0.006	
440	RB401-70290	CAP	2			0.068	
450	RA011-70830	BOLT	4			0.019	
460	7K500-63500	VALVE ASSY.BOOM	1			3.85	
470	7K500-63550	ASSY SPOOL BOOM	1			0.374	
480	7K500-99800	KIT SEAL	1			0.435	
490	04816-00120	O RING	1			0.002	
500	RB401-70510	WIPER(DUST)	1			0.002	
510	RB401-70300	PLATE(OIL SEAL)	1			0.017	
520	RB401-70340	SPOOL	1			0.015	
530	RB401-70530	SPRING	1			0.002	
540	04817-00110	O RING	1			0.002	
550	RB401-70400	PLUG(CHECK VALVE)	1			0.059	
560	01350-10510	BOLT HEX-SOC-HD	2			0.006	
570	RB401-70290	CAP	1			0.068	
580	RA011-70830	BOLT	2			0.019	
590	7K500-63600	ASSY VALVE SWING	1			3.828	

CONTROL VALVE [COMPONENT PARTS]

Ref	Part Number	Part Name	Qty	IC	S/N	Lbs	Remarks
600	7K500-63650	ASSY SPOOL SWING	1			0.396	
610	7K500-99800	KIT SEAL	1			0.435	
620	04816-00120	O RING	1			0.002	
630	RB401-70510	WIPER(DUST)	1			0.002	
640	RB401-70300	PLATE(OIL SEAL)	1			0.017	
650	RB401-70340	SPOOL	1			0.015	
660	RB401-70530	SPRING	1			0.002	
670	04817-00110	O RING	1			0.002	
680	RB401-70400	PLUG(CHECK VALVE)	1			0.059	
690	01350-10510	BOLT HEX-SOC-HD	2			0.006	
700	RB401-70290	CAP	1			0.068	
710	RA011-70830	BOLT	2			0.019	
720	7K500-63110	ASSY PLUG	1			0.11	
730	7K500-63120	PLUG	1			0	
740	04817-00140	O RING	1			0.002	
750	7K500-63710	ASSY VALVE RELIEF	4			0.352	
770	04817-00140	O RING	4			0.002	
780	7K500-63730	ASSY VALVE RELIEF	2			0.352	
800	04817-00140	O RING	2			0.002	
810	RB401-70020	O RING	7			0.004	
820	7K500-63030	BOLT	4			0.176	
830	RA011-70670	NUT	8			0.013	

CONTROL VALVE [COMPONENT PARTS] ## [BT820V]



CONTROL VALVE [COMPONENT PARTS]

Ref	Part Number	Part Name	Qty	IC	S/N	Lbs	Remarks
010	7K523-85010	ASSY VALVE CONTROL	1			0	
020	7K500-63040	ASSY BODY INLET	1			2.97	
030	7K500-63070	BODY INLET	1			0.088	
040	7K500-63080	PLUG	1			0.088	
050	7K500-63090	O RING	1			0.002	
060	7K500-63050	COVER END	1			1.32	
070	7K500-63200	ASSY VALVE BUCKET	1			3.828	

CONTROL VALVE [COMPONENT PARTS]

Ref	Part Number	Part Name	Qty	IC	S/N	Lbs	Remarks
080	7K500-63250	ASSY SPOOL BUCKET	1			0.352	
090	7K500-99800	KIT SEAL	1			0.435	
100	04816-00120	O RING	1			0.002	
110	RB401-70510	WIPER(DUST)	1			0.002	
120	RB401-70300	PLATE(OIL SEAL)	1			0.017	
130	RB401-70340	SPOOL	1			0.015	
140	RB401-70530	SPRING	1			0.002	
150	04817-00110	O RING	1			0.002	
160	RB401-70400	PLUG(CHECK VALVE)	1			0.059	
170	01350-10510	BOLT HEX-SOC-HD	2			0.006	
180	RB401-70290	CAP	1			0.068	
190	RA011-70830	BOLT	2			0.019	
200	7K500-63300	VALVE ASSY.DIPPER	1			3.806	
210	7K500-63350	SPOOL ASSY.DIPPER	1			0.374	
220	7K500-99800	KIT SEAL	1			0.435	
230	04816-00120	O RING	1			0.002	
240	RB401-70510	WIPER(DUST)	1			0.002	
250	RB401-70300	PLATE(OIL SEAL)	1			0.017	
260	RB401-70340	SPOOL	1			0.015	
270	RB401-70530	SPRING	1			0.002	
280	04817-00110	O RING	1			0.002	
290	RB401-70400	PLUG(CHECK VALVE)	1			0.059	
300	01350-10510	BOLT HEX-SOC-HD	2			0.006	
310	RB401-70290	CAP	1			0.068	
320	RA011-70830	BOLT	2			0.019	
330	7K500-63400	ASSY VALVE STABI.	2			3.85	

CONTROL VALVE [COMPONENT PARTS]

Ref	Part Number	Part Name	Qty	IC	S/N	Lbs	Remarks
340	7K500-63450	ASSY SPOOL STABI.	2			0.374	
350	7K500-99800	KIT SEAL	2			0.435	
360	04816-00120	O RING	2			0.002	
370	RB401-70510	WIPER(DUST)	2			0.002	
380	RB401-70300	PLATE(OIL SEAL)	2			0.017	
390	RB401-70340	SPOOL	2			0.015	
400	RB401-70530	SPRING	2			0.002	
410	04817-00110	O RING	2			0.002	
420	RB401-70400	PLUG(CHECK VALVE)	2			0.059	
430	01350-10510	BOLT HEX-SOC-HD	4			0.006	
440	RB401-70290	CAP	2			0.068	
450	RA011-70830	BOLT	4			0.019	
460	7K500-63500	VALVE ASSY.BOOM	1			3.85	
470	7K500-63550	ASSY SPOOL BOOM	1			0.374	
480	7K500-99800	KIT SEAL	1			0.435	
490	04816-00120	O RING	1			0.002	
500	RB401-70510	WIPER(DUST)	1			0.002	
510	RB401-70300	PLATE(OIL SEAL)	1			0.017	
520	RB401-70340	SPOOL	1			0.015	
530	RB401-70530	SPRING	1			0.002	
540	04817-00110	O RING	1			0.002	
550	RB401-70400	PLUG(CHECK VALVE)	1			0.059	
560	01350-10510	BOLT HEX-SOC-HD	2			0.006	
570	RB401-70290	CAP	1			0.068	
580	RA011-70830	BOLT	2			0.019	
590	7K500-63600	ASSY VALVE SWING	1			3.828	

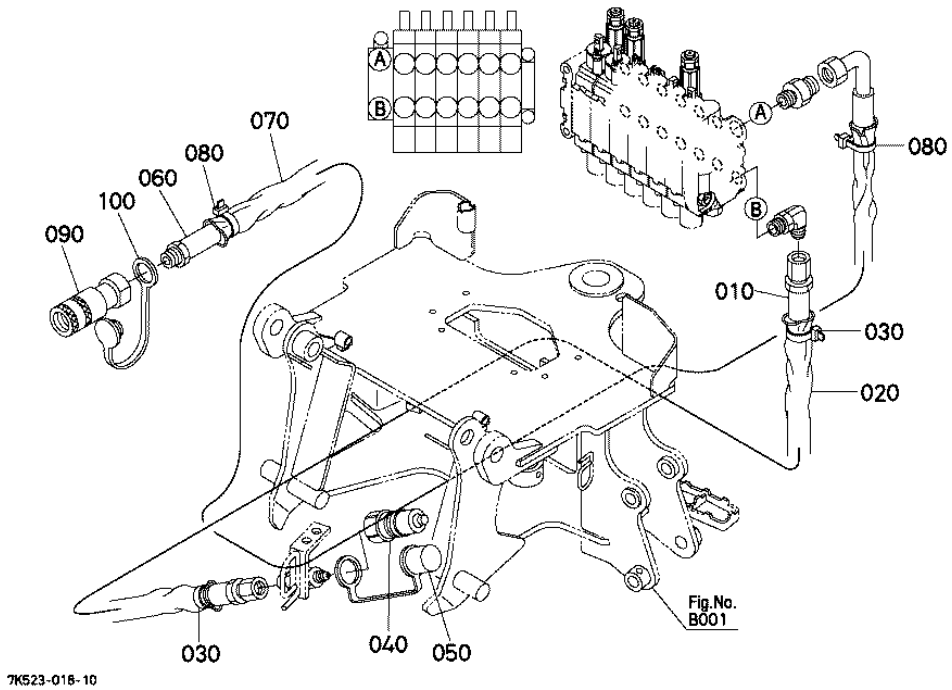
CONTROL VALVE [COMPONENT PARTS]

Ref	Part Number	Part Name	Qty	IC	S/N	Lbs	Remarks
600	7K500-63650	ASSY SPOOL SWING	1			0.396	
610	7K500-99800	KIT SEAL	1			0.435	
620	04816-00120	O RING	1			0.002	
630	RB401-70510	WIPER(DUST)	1			0.002	
640	RB401-70300	PLATE(OIL SEAL)	1			0.017	
650	RB401-70340	SPOOL	1			0.015	
660	RB401-70530	SPRING	1			0.002	
670	04817-00110	O RING	1			0.002	
680	RB401-70400	PLUG(CHECK VALVE)	1			0.059	
690	01350-10510	BOLT HEX-SOC-HD	2			0.006	
700	RB401-70290	CAP	1			0.068	
710	RA011-70830	BOLT	2			0.019	
720	7K500-63110	ASSY PLUG	1			0.11	
730	99999-99999	PLUG	1			0	
740	04817-00140	O RING	1			0.002	
750	7K500-63710	ASSY VALVE RELIEF	4			0.352	
770	04817-00140	O RING	4			0.002	
780	7K500-63730	ASSY VALVE RELIEF	2			0.352	
800	04817-00140	O RING	2			0.002	
810	RB401-70020	O RING	8			0.004	
820	7K523-85030	BOLT	4			0	
830	RA011-70670	NUT	8			0.013	
840	7K523-85100	ASSY VALVE(OPTION)	1			0	
850	7K500-99800	KIT SEAL	1			0.435	
860	04816-00120	O RING	1			0.002	
870	RB401-70510	WIPER(DUST)	1			0.002	

CONTROL VALVE [COMPONENT PARTS]

Ref	Part Number	Part Name	Qty	IC	S/N	Lbs	Remarks
880	RB401-70300	PLATE(OIL SEAL)	1			0.017	
890	RB401-70340	SPOOL	1			0.015	
900	RB401-70530	SPRING	1			0.002	
910	04817-00110	O RING	1			0.002	
920	RB401-70400	PLUG(CHECK VALVE)	1			0.059	
930	01350-10510	BOLT HEX-SOC-HD	2			0.006	
940	RB401-70290	CAP	1			0.068	
950	RA011-70830	BOLT	2			0.019	
955	7K523-85510	ASSY VALVE RELIEF	2			0	
960	04817-00140	O RING	2			0.002	

HYDRAULIC HOSE(INTAKE)



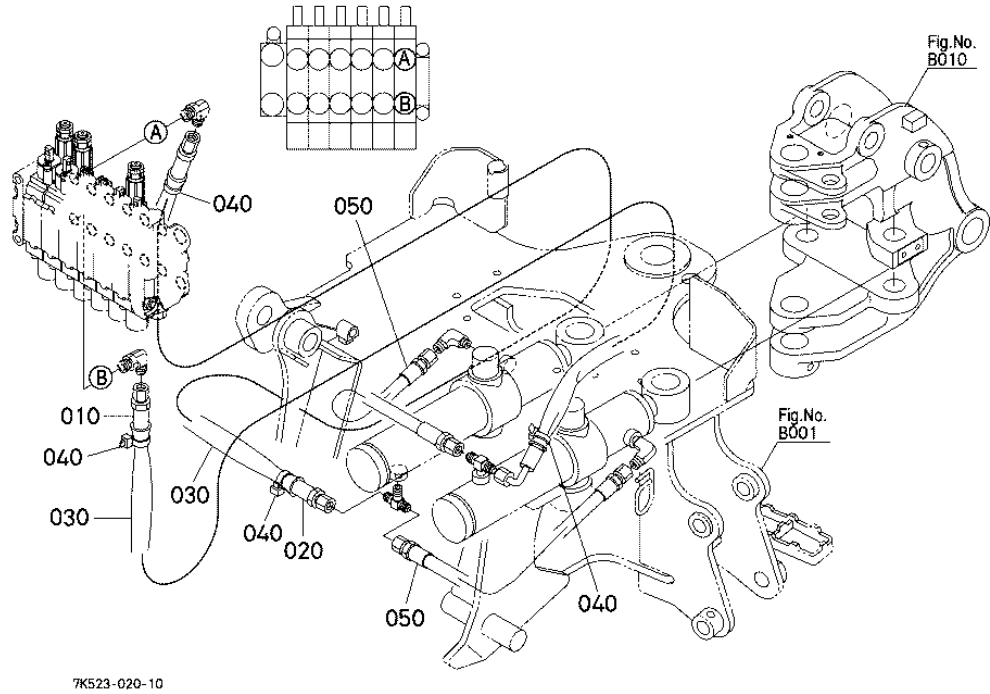
HYDRAULIC HOSE(INTAKE)

Ref	Part Number	Part Name	Qty	IC	S/N	Lbs	Remarks
010	7K523-64110	HOSE 1 HYDRAULIC	1			0	
020	7K523-64120	SLEEVE PSB17	1			0	
030	K1122-61230	CLAMP CORD	2			0.002	
040	75540-66220	NIPPLE	1			0.132	
050	7J246-66410	CAP DUST	1			0.004	
060	7K523-64150	HOSE 2 HYDRAULIC	1			0	
070	7K523-64160	SLEEVE PSB17	1			0	

HYDRAULIC HOSE(INTAKE)

Ref	Part Number	Part Name	Qty	IC	S/N	Lbs	Remarks
080	K1122-61230	CLAMP CORD	2			0.002	
090	75540-66320	COUPLER	1			0.506	
100	7J246-66330	PLUG DUST	1			0.004	

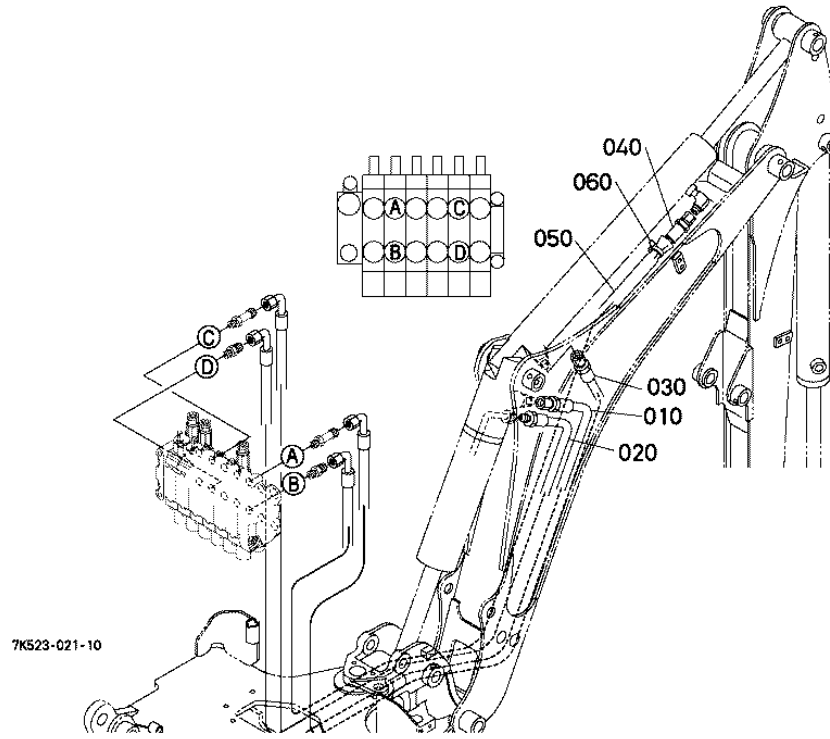
HYDRAULIC HOSE(SWING)



HYDRAULIC HOSE(SWING)

Ref	Part Number	Part Name	Qty	IC	S/N	Lbs	Remarks
010	7K523-64230	HOSE 3 HYDRAULIC	1			0	
020	7K523-64250	HOSE 4 HYDRAULIC	1			0	
030	7K523-64120	SLEEVE PSB17	2			0	
040	K1122-61230	CLAMP CORD	4			0.002	
050	7K523-64110	HOSE 1 HYDRAULIC	2			0	

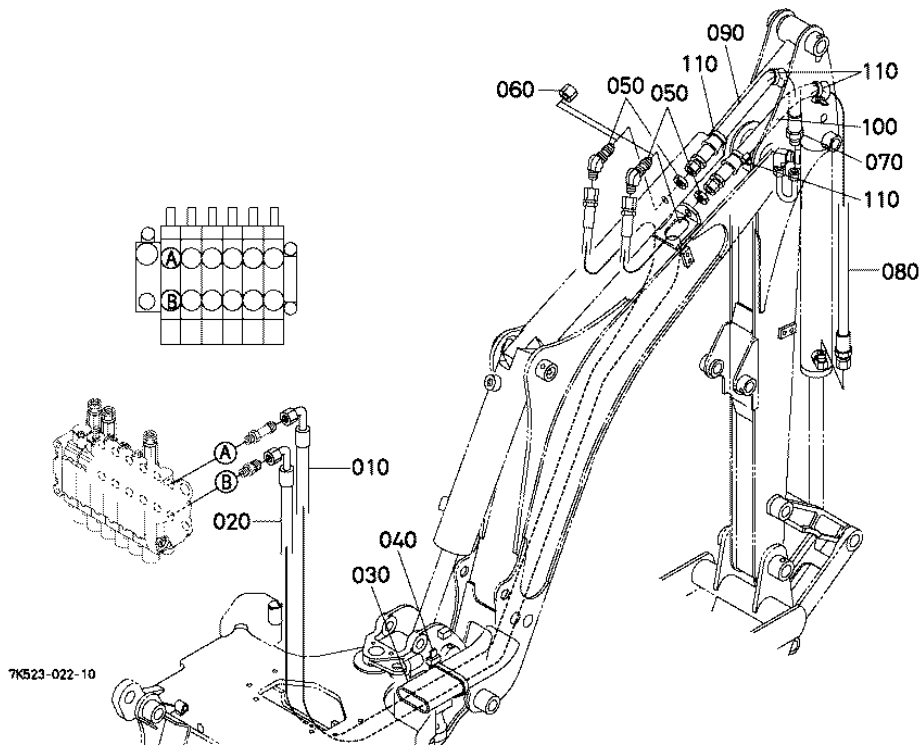
HYDRAULIC HOSE(BOOM/DIPPER)



HYDRAULIC HOSE(BOOM/DIPPER)

Ref	Part Number	Part Name	Qty	IC	S/N	Lbs	Remarks
010	7K523-64310	HOSE 6 HYDRAULIC	1			0	
020	7K523-64320	HOSE 7 HYDRAULIC	1			0	
030	7K523-64310	HOSE 6 HYDRAULIC	1			0	
040	7K523-64430	HOSE 9 HYDRAULIC	1			0	
050	75567-76320	SLEEVE P.B.	1			0.107	
060	K1122-61230	CLAMP CORD	1			0.002	

HYDRAULIC HOSE(BUCKET)



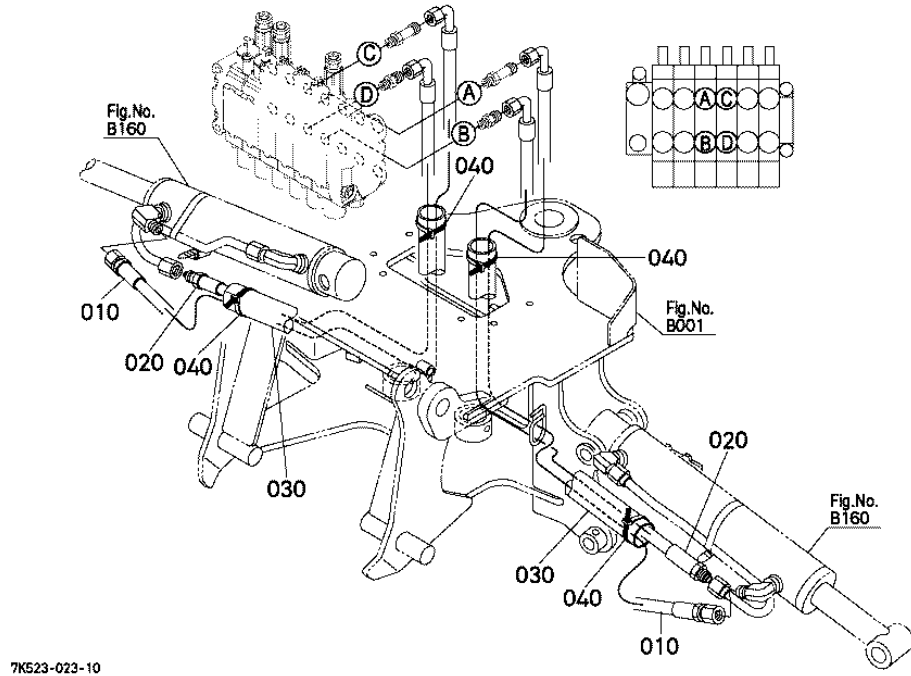
HYDRAULIC HOSE(BUCKET)

Ref	Part Number	Part Name	Qty	IC	S/N	Lbs	Remarks
010	7K523-64510	HOSE 10 HYDRAULIC	1			0	
020	7K523-64520	HOSE 11 HYDRAULIC	1			0	
030	7K523-64580	SLEEVE PSB17	1			0	
040	75590-64650	BAND CODE	1			0.022	
050	75595-64170	ELBOW(BU.45)	2			0.33	
060	75595-64730	CAP NUT	2			0.090	
070	7K523-64550	HOSE 12L HYDRAULIC	1			0	

HYDRAULIC HOSE(BUCKET)

Ref	Part Number	Part Name	Qty	IC	S/N	Lbs	Remarks
080	7K523-64560	HOSE 12R HYDRAULIC	1			0	
090	75567-76320	SLEEVE P.B.	1			0.107	
100	7J417-93290	SLEEVE PSB17	1			0	
110	K1122-61230	CLAMP CORD	4			0.002	

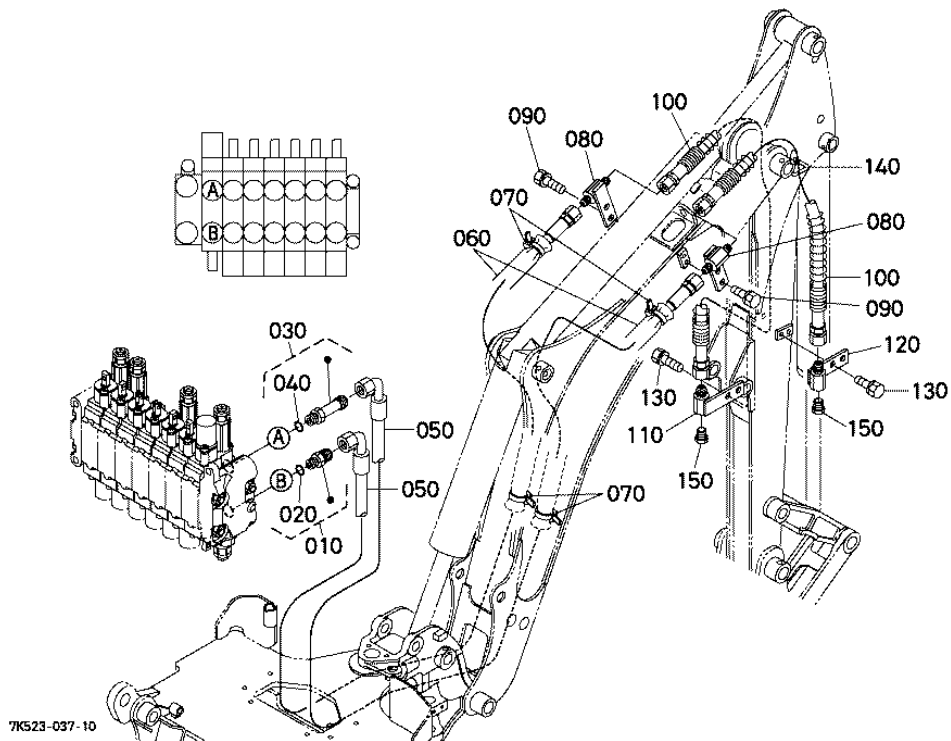
HYDRAULIC HOSE(STABILIZER)



HYDRAULIC HOSE(STABILIZER)

Ref	Part Number	Part Name	Qty	IC	S/N	Lbs	Remarks
010	7K523-64610	HOSE 13 HYDRAULIC	2			0	
020	7K523-64630	HOSE 14 HYDRAULIC	2			0	
030	75583-66330	SLEEVE	2			0.132	
040	K1122-61230	CLAMP CORD	4			0.002	

HYDRAULIC HOSE(BUCKET) ## [BT820V]



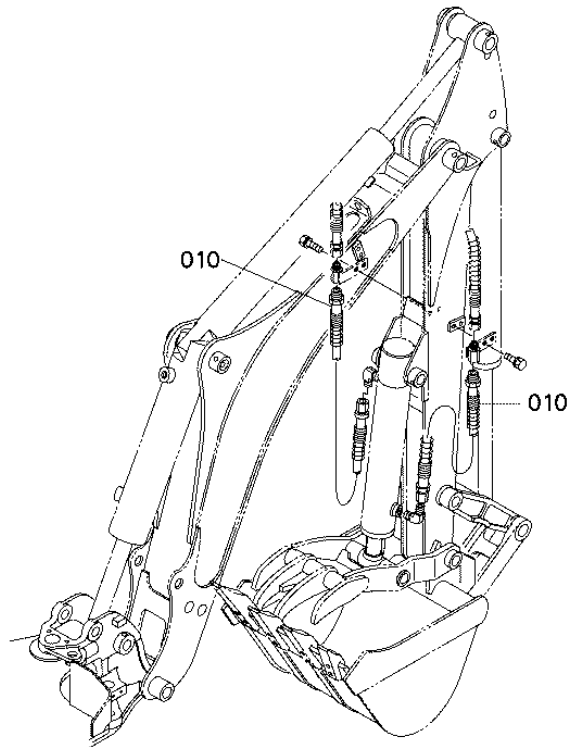
HYDRAULIC HOSE(BUCKET)

Ref	Part Number	Part Name	Qty	IC	S/N	Lbs	Remarks
010	7K500-63800	ASSY JOINT PIPE	1			0.074	
020	75595-64220	O-RING	1			0.002	
030	7K500-63900	ASSY JOINT PIPE	1			0.123	
040	75595-64220	O-RING	1			0.002	
050	7K523-85460	HOSE	2			0	
060	75568-66520	SLEEVE RETURN	2			0.378	
070	K1122-61230	CLAMP CORD	4			0.002	

HYDRAULIC HOSE(BUCKET)

Ref	Part Number	Part Name	Qty	IC	S/N	Lbs	Remarks
080	7K523-85630	BRACKET HOSE 1	2			0	
090	01133-51020	BOLT	4			0.044	
100	7K523-85710	HOSE	2			0	
110	7K523-85720	BRACKET HOSE LH	1			0	
120	7K523-85730	BRACKET HOSE RH	1			0	
130	01133-51020	BOLT	4			0.044	
140	7K520-85750	GUIDE HOSE	2			0	
150	7K523-85790	PLUG HEX HEAD 1/2	2			0	

HYDRAULIC HOSE(THUMB ARM)

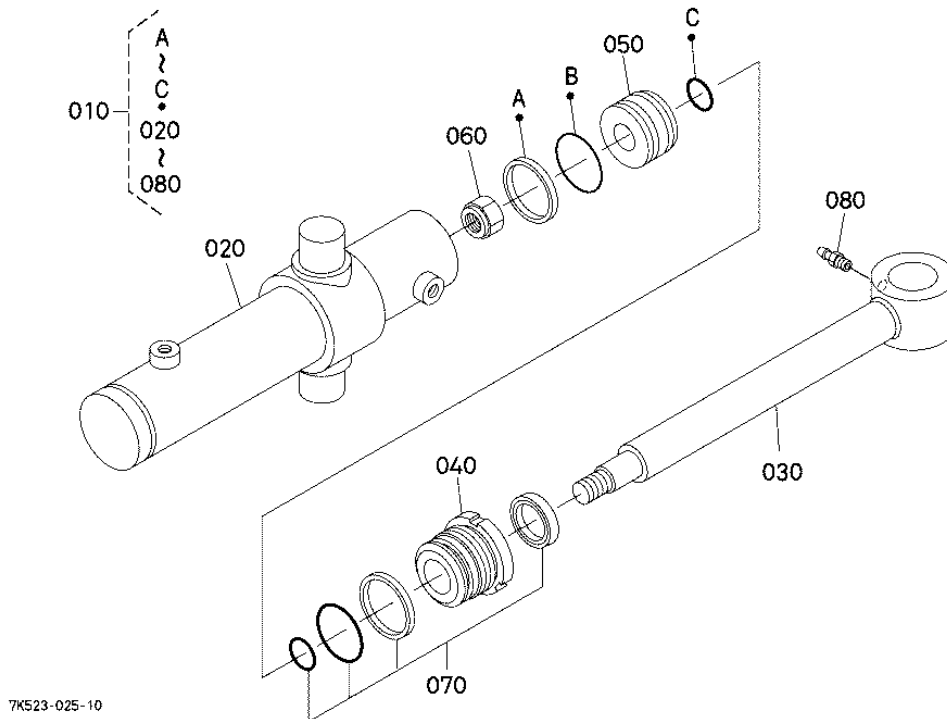


7K523-024-10

HYDRAULIC HOSE(THUMB ARM)

Ref	Part Number	Part Name	Qty	IC	S/N	Lbs	Remarks
010	7K523-84310	HOSE 1 THUMB	2			0	

CYLINDER(SWING) [COMPONENT PARTS]



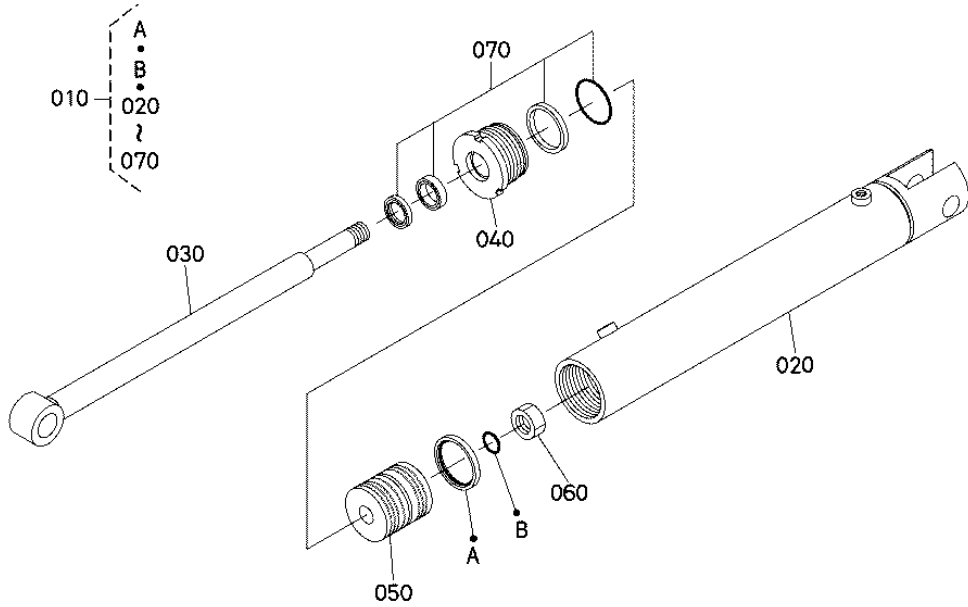
CYLINDER(SWING) [COMPONENT PARTS]

Ref	Part Number	Part Name	Qty	IC	S/N	Lbs	Remarks
010	7K523-13010	ASSY CYLINDER SWING	2			0	
020	7K523-13030	COMP.TUBE SWING	2			0	
030	7K500-13050	COMP.ROD SWING	2			8.822	
040	7K500-13110	HEAD	2			1.54	
050	7K500-13210	PISTON	2			1.32	
060	7K500-13250	NUT	2			0.213	
070	7K500-13300	KIT SEAL	2			0.066	

CYLINDER(SWING) [COMPONENT PARTS]

Ref	Part Number	Part Name	Qty	IC	S/N	Lbs	Remarks
080	75599-81531	FITTING GREASE	2			0.015	

CYLINDER(BOOM) [COMPONENT PARTS]

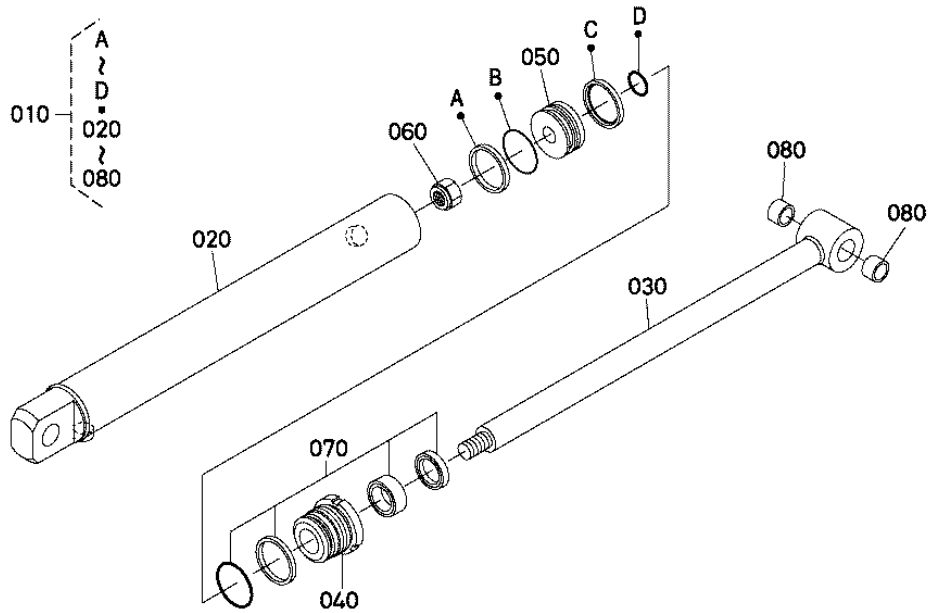


7K523-026-10

CYLINDER(BOOM) [COMPONENT PARTS]

Ref	Part Number	Part Name	Qty	IC	S/N	Lbs	Remarks
010	7K523-22010	ASSY CYLINDER BOOM	1			0	
020	7K523-22030	TUBE COMP.BOOM	1			0	
030	7K523-22050	ROD COMP.BOOM	1			0	
040	7K523-22110	HEAD	1			0	
050	7K523-22210	PISTON	1			0	
060	7K523-22250	NUT	1			0	
070	7K523-22300	SEAL KIT	1			0	

CYLINDER(DIPPER) [COMPONENT PARTS]



7K523-027-10

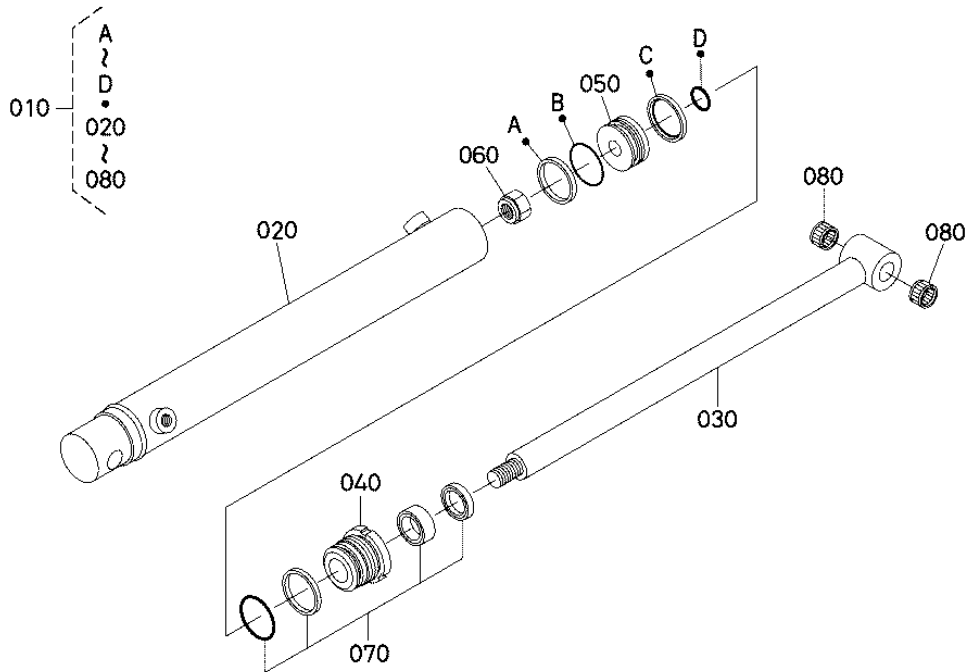
CYLINDER(DIPPER) [COMPONENT PARTS]

Ref	Part Number	Part Name	Qty	IC	S/N	Lbs	Remarks
010	7K523-32010	CYLINDER ASSY DIPPER	1			0	
020	7K523-32030	TUBE COMP.DIPPER	1			0	
030	7K523-32050	ROD COMP.DIPPER	1			0	
040	7K523-32110	HEAD	1			0	
050	7K523-32210	PISTON	1			0	
060	7K523-32250	NUT	1			0	
070	7K523-32300	KIT SEAL	1			0	

CYLINDER(DIPPER) [COMPONENT PARTS]

Ref	Part Number	Part Name	Qty	IC	S/N	Lbs	Remarks
080	78620-22410	BUSH	2			0.055	

CYLINDER(BUCKET) [COMPONENT PARTS]



7K523-028-10

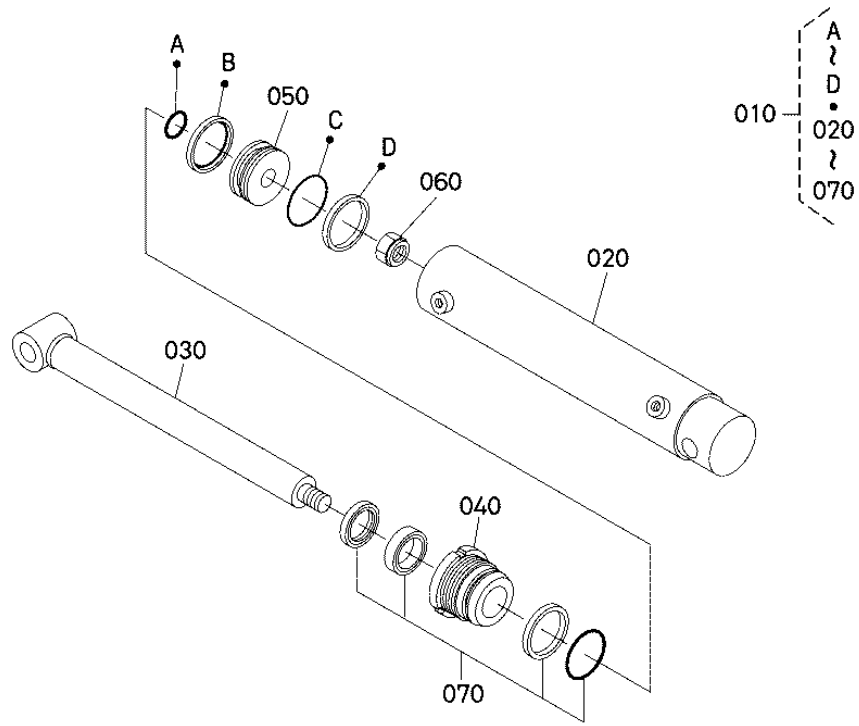
CYLINDER(BUCKET) [COMPONENT PARTS]

Ref	Part Number	Part Name	Qty	IC	S/N	Lbs	Remarks
010	7K523-43010	CYLINDER ASSY BUCKET	1			0	
020	7K523-43030	TUBE COMP.BUCKET	1			0	
030	7K523-43050	ROD COMP.BUCKET	1			0	
040	7K523-43110	HEAD	1			0	
050	7K523-43210	PISTON	1			0	
060	7K523-32250	NUT	1			0	
070	7K523-43300	SEAL KIT	1			0	

CYLINDER(BUCKET) [COMPONENT PARTS]

Ref	Part Number	Part Name	Qty	IC	S/N	Lbs	Remarks
080	66021-56130	BEARING DRY	2			0.037	

CYLINDER(STABILIZER) LH [COMPONENT PARTS]

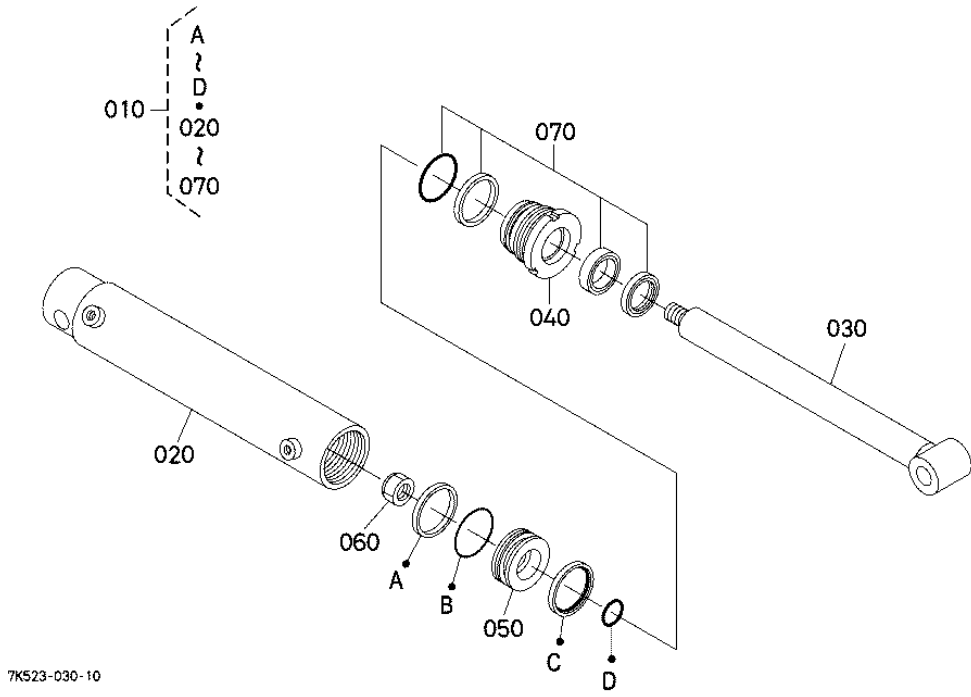


7K523-029-10

CYLINDER(STABILIZER) LH [COMPONENT PARTS]

Ref	Part Number	Part Name	Qty	IC	S/N	Lbs	Remarks
010	7K523-52010	CYLINDER ASSY.LH ST	1			0	
020	7K523-52030	TUBE COMP.LH ST.	1			0	
030	7K523-52050	ROD COMP.STABI.	1			0	
040	7K523-52110	HEAD	1			0	
050	7K523-52210	PISTON	1			0	
060	7K523-32250	NUT	1			0	
070	7K523-52300	SEAL KIT	1			0	

CYLINDER(STABILIZER) RH [COMPONENT PARTS]

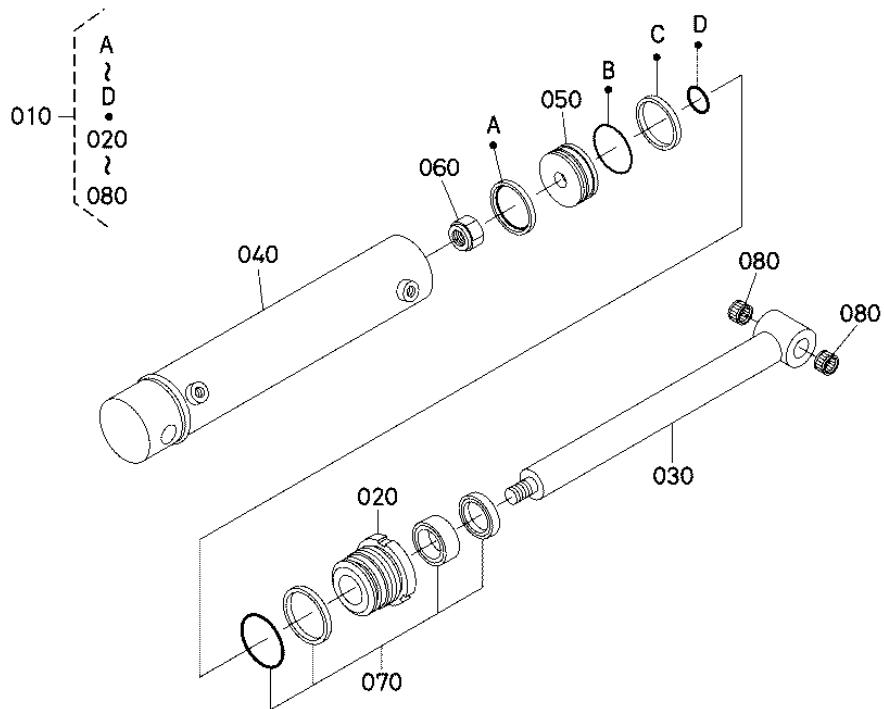


7K523-030-10

CYLINDER(STABILIZER) RH [COMPONENT PARTS]

Ref	Part Number	Part Name	Qty	IC	S/N	Lbs	Remarks
010	7K523-52020	CYLINDER ASSY.RH ST	1			0	
020	7K523-52040	TUBE COMP.RH ST.	1			0	
030	7K523-52050	ROD COMP.STABI.	1			0	
040	7K523-52110	HEAD	1			0	
050	7K523-52210	PISTON	1			0	
060	7K523-32250	NUT	1			0	
070	7K523-52300	SEAL KIT	1			0	

CYLINDER(THUMB ARM) [COMPONENT PARTS]



7K523-031-10

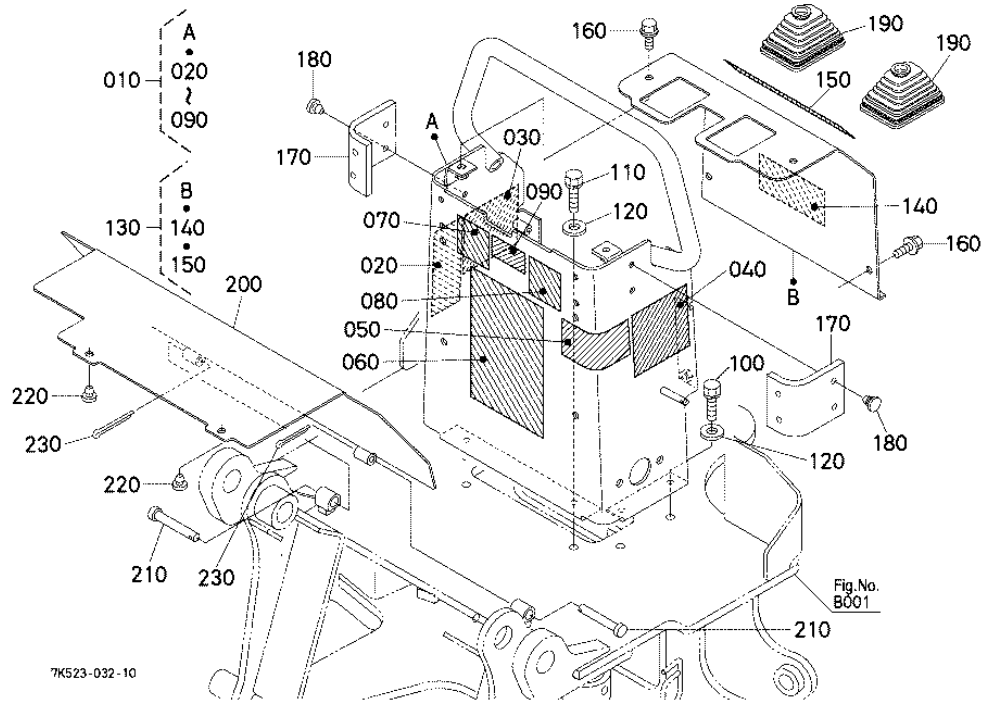
CYLINDER(THUMB ARM) [COMPONENT PARTS]

Ref	Part Number	Part Name	Qty	IC	S/N	Lbs	Remarks
010	7K523-84300	CYLINDER THUMB	1			0	
020	7K522-43110	HEAD	1			0	
030	7K523-84330	COMP.ROD	1			0	
040	7K523-84350	COMP.TUBE	1			0	
050	7K522-43210	PISTON	1			0	
060	75598-13310	NUT	1			0.099	
070	7K522-43300	SEAL KIT	1			0	

CYLINDER(THUMB ARM) [COMPONENT PARTS]

Ref	Part Number	Part Name	Qty	IC	S/N	Lbs	Remarks
080	66021-56130	BEARING DRY	2			0.037	

STEP



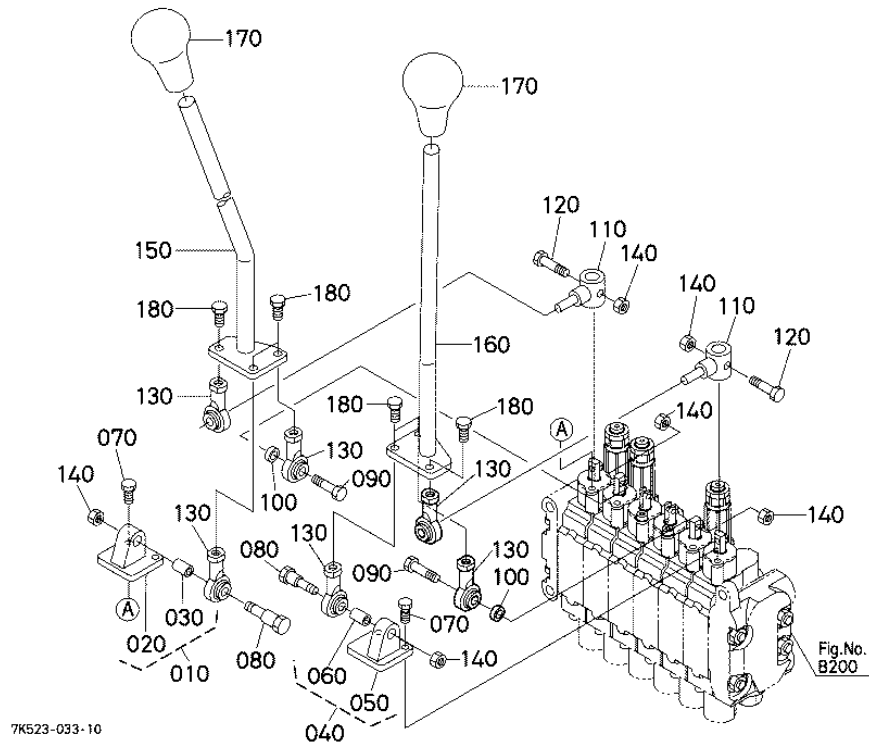
STEP

Ref	Part Number	Part Name	Qty	IC	S/N	Lbs	Remarks
010	7K523-90132	STEP COMP.LABEL	1			0	
020	75595-75240	LABEL WARNING	1			0.015	
030	75590-75270	LABEL CAUTION	1			0.015	
040	75597-75280	LABEL WARNING	1			0.006	
050	75595-75293	LABEL WARNING	1			0.022	
060	7K500-75150	LABEL INSTRUCTION	1			0.052	
070	75598-75112	LABEL CONTROL LEVER	1			0.002	

STEP

Ref	Part Number	Part Name	Qty	IC	S/N	Lbs	Remarks
080	75598-75122	LABEL CONTROL LEVER	1			0.002	
090	75598-75132	LABEL CONTROL LEVER	1			0.002	
100	01133-51030	BOLT	4			0.055	
110	01133-51035	BOLT	2			0.066	
120	04013-60100	WASHER PLAIN	6			0.006	
130	7K523-90140	COVER VALVE LABEL	1			0	
140	75597-75173	LABEL DANGER	1			0.013	
150	7K523-75140	LABEL MODEL BT820	1			0	
160	01754-50814	BOLT FLANGE	4			0.011	
170	7K500-61260	CUSHION PROTECTOR	2			0.044	
180	K1211-84560	PUSH RIVET	8			0.004	
190	7K523-61252	BOOT CONTROL LEVER	2			0	
200	7K523-62110	PLATE SHUTTER	1			0	
210	05122-51060	PIN JOINT	2			0.092	
220	38240-29870	CUSHION	2			0.008	
230	05511-50325	PIN SPLIT	2			0.004	

CONTROL LEVER 1



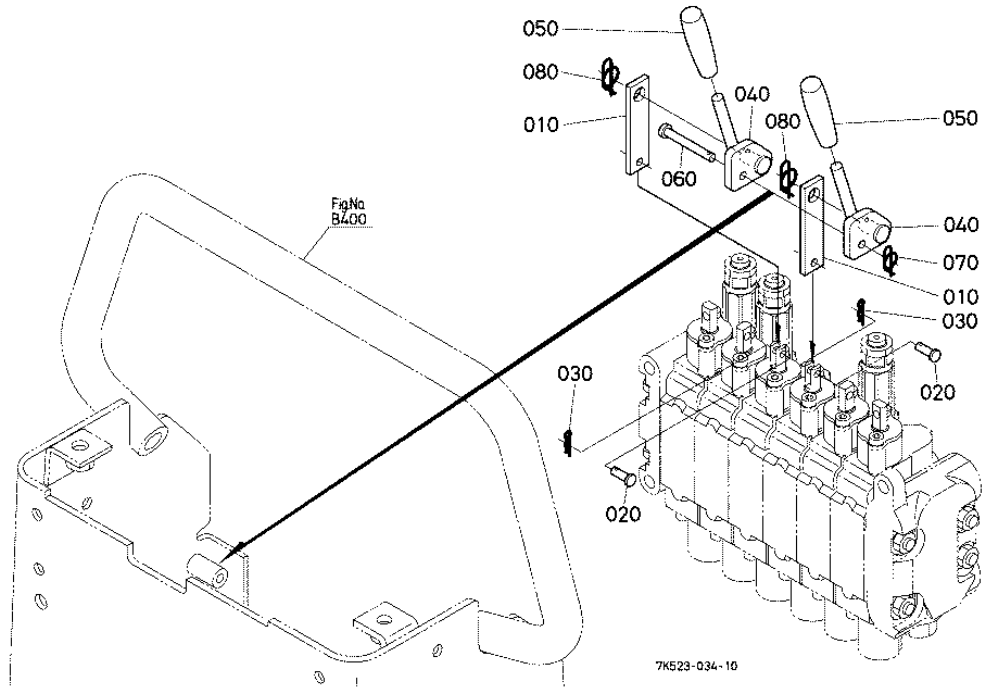
CONTROL LEVER 1

Ref	Part Number	Part Name	Qty	IC	S/N	Lbs	Remarks
010	7K523-71110	ASSY BRACKET LEVER L	1			0	
020	7K523-71130	BRACKET LEVER LH	1			0	
030	7K520-71170	BUSH	1			0.008	
040	7K523-71120	ASSY BRACKET LEVER R	1			0	
050	7K523-71140	BRACKET LEVER RH	1			0	
060	7K520-71170	BUSH	1			0.008	
070	7K500-71580	BOLT	4			0	

CONTROL LEVER 1

Ref	Part Number	Part Name	Qty	IC	S/N	Lbs	Remarks
080	7K520-71550	BOLT FULCRUM	2			0.022	
090	7K500-71510	BOLT FULCRUM	2			0.017	
100	7K500-71522	SPACER	2			0.002	
110	7K523-71530	LINK JOINT	2			0	
120	7K523-71570	BOLT SPOOL	2			0	
130	36730-81960	END ROD	6			0.055	
140	02014-50060	NUT	6			0.004	
150	7K523-72110	LEVER CONTROL L	1			0	
160	7K523-72130	LEVER CONTROL R	1			0	
170	31355-82520	GRIP LEVER	2			0.11	
180	7K500-72160	BOLT	6			0.011	

CONTROL LEVER 2



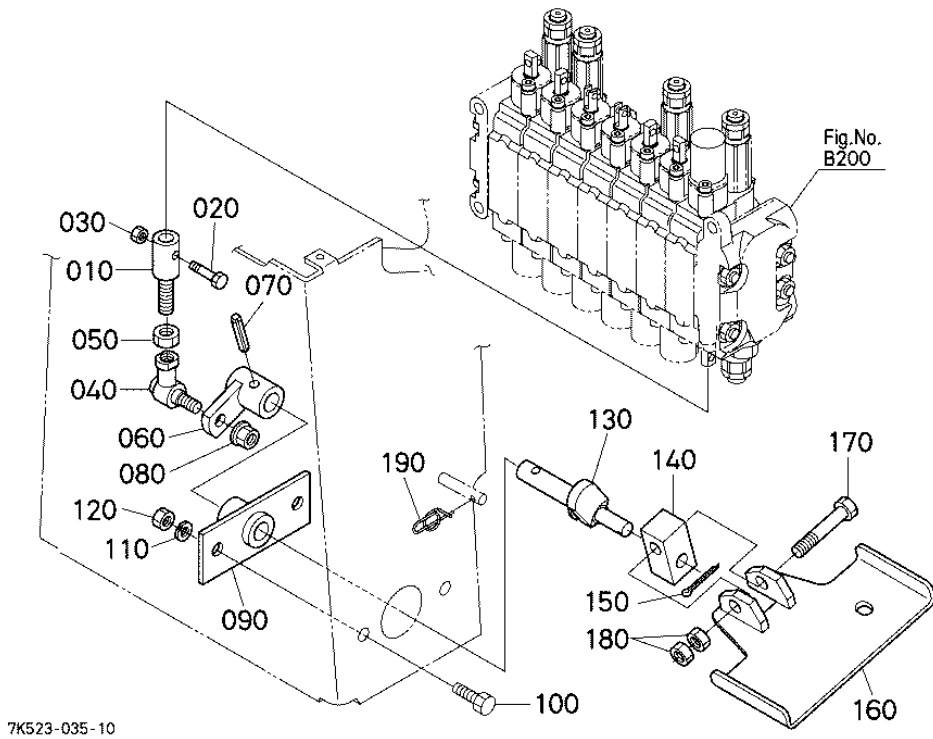
CONTROL LEVER 2

Ref	Part Number	Part Name	Qty	IC	S/N	Lbs	Remarks
010	7K500-72260	PLATE LEVER STABI.	2			0.070	
020	RP421-65190	PIN JOINT	2			0.006	
030	05525-60500	PIN SNAP	2			0.002	
040	75598-72210	LEVER CONTROL	2			0.154	
050	31391-18560	GRIP LEVER	2			0.022	
060	05122-50840	PIN JOINT	1			0.037	
070	K1211-91120	RUE RING COTTER	1			0.002	

CONTROL LEVER 2

Ref	Part Number	Part Name	Qty	IC	S/N	Lbs	Remarks
080	K1211-91130	RUE RING COTTER	2			0.022	

CONTROL LEVER 3 ## [BT820V]



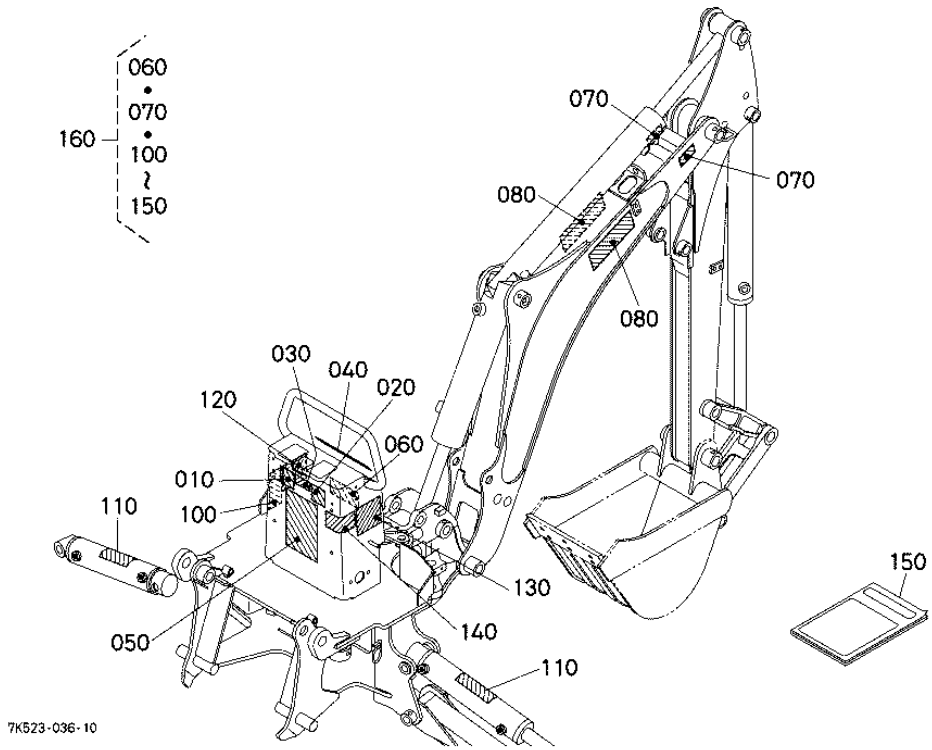
CONTROL LEVER 3

Ref	Part Number	Part Name	Qty	IC	S/N	Lbs	Remarks
010	7K523-85240	ROD CONTROL	1			0	
020	7K523-71570	BOLT SPOOL	1			0	
030	02014-50060	NUT	1			0.004	
040	52300-75170	BALL LINK	1			0.22	
050	02118-50100	NUT	1			0.011	
060	7K523-85250	LEVER	1			0	
070	05411-00430	PIN SPRING	1			0.004	

CONTROL LEVER 3

Ref	Part Number	Part Name	Qty	IC	S/N	Lbs	Remarks
080	02771-60100	NUT FLANGE	1			0.022	
090	7K520-85310	SUPPORT PEDAL	1			0	
100	01173-51020	BOLT	2			0.037	
110	04512-60100	WASHER SPRING	2			0.004	
120	02118-50100	NUT	2			0.011	
130	7K520-85320	SHAFT PEDAL	1			0	
140	7K520-85330	LINK CONTROL	1			0	
150	05511-50325	PIN SPLIT	1			0.004	
160	7K523-85350	PEDAL RH	1			0	
170	01173-51260	BOLT	1			0.132	
180	02174-50120	NUT	2			0.022	
190	K1211-91120	RUE RING COTTER	1			0.002	

LABEL



7K523-036-10

LABEL

Ref	Part Number	Part Name	Qty	IC	S/N	Lbs	Remarks
010	75598-75112	LABEL CONTROL LEVER	1			0.002	
020	75598-75122	LABEL CONTROL LEVER	1			0.002	
030	75598-75132	LABEL CONTROL LEVER	1			0.002	
040	7K523-75140	LABEL MODEL BT820	1			0	
050	7K500-75150	LABEL INSTRUCTION	1			0.052	
060	75597-75173	LABEL DANGER	1			0.013	ENGLISH
060	75597-95172	LABEL DANGER(F)	1			0.002	FRENCH

LABEL

Ref	Part Number	Part Name	Qty	IC	S/N	Lbs	Remarks
070	75595-75170	LABEL WARNING	2			0.008	ENGLISH
070	75595-95170	LABEL2 WARNING CF	2			0.015	FRENCH
080	TD060-80930	LABEL KUBOTA	2			0.015	
100	75595-95240	LABEL2 WARNING CF	1			0	FRENCH
100	75595-75240	LABEL WARNING	1			0.015	ENGLISH
110	75590-95260	LABEL SWING	2			0.002	FRENCH
110	75590-75260	LABEL SWING	2			0.006	ENGLISH
120	75590-75270	LABEL CAUTION	1			0.015	ENGLISH
120	75595-95270	LABEL2 CAUTION CF	1			0.002	FRENCH
130	75597-75280	LABEL WARNING	1			0.006	ENGLISH
130	75597-95280	LABEL WARNING(F)	1			0.44	FRENCH
140	75595-75293	LABEL WARNING	1			0.022	ENGLISH
140	75595-95290	LABEL2 WARNING CF	1			0.002	FRENCH
150	7K523-79910	OPERATORS MANUAL	1			0	ENGLISH
150	7K523-95910	OPERATORS MANUAL(FR	1			0	FRENCH
160	7K523-95102	FRENCH KIT.BT820	1			0	FRENCH