

Instructions for Parts Books

The heading at the top of the page will be the same for the picture of the parts as it is for the page with the part numbers.

Definition of column headings on part number pages:

REF.No → The number referring to the part on the picture page of the parts book.

Part No. → The number assigned to this part at the time of printing the parts book.

Description → Description of part.

Q'ty → Quantity of part used on that page.

S.No. → Serial number range of the equipment that this part will fit.

>= Your serial number should be greater than or equal to the number shown.

<= Your serial number should be lesser than or equal to the serial number shown.

I/C → Interchangeability of part shown.

↔ The part shown will work for the older and later serial number.

The part shown is not interchangeable with the other serial number.

← new for old

→ old for new

Remarks → Notes about this particular part. Sometimes this may say except [FR] or [CA]

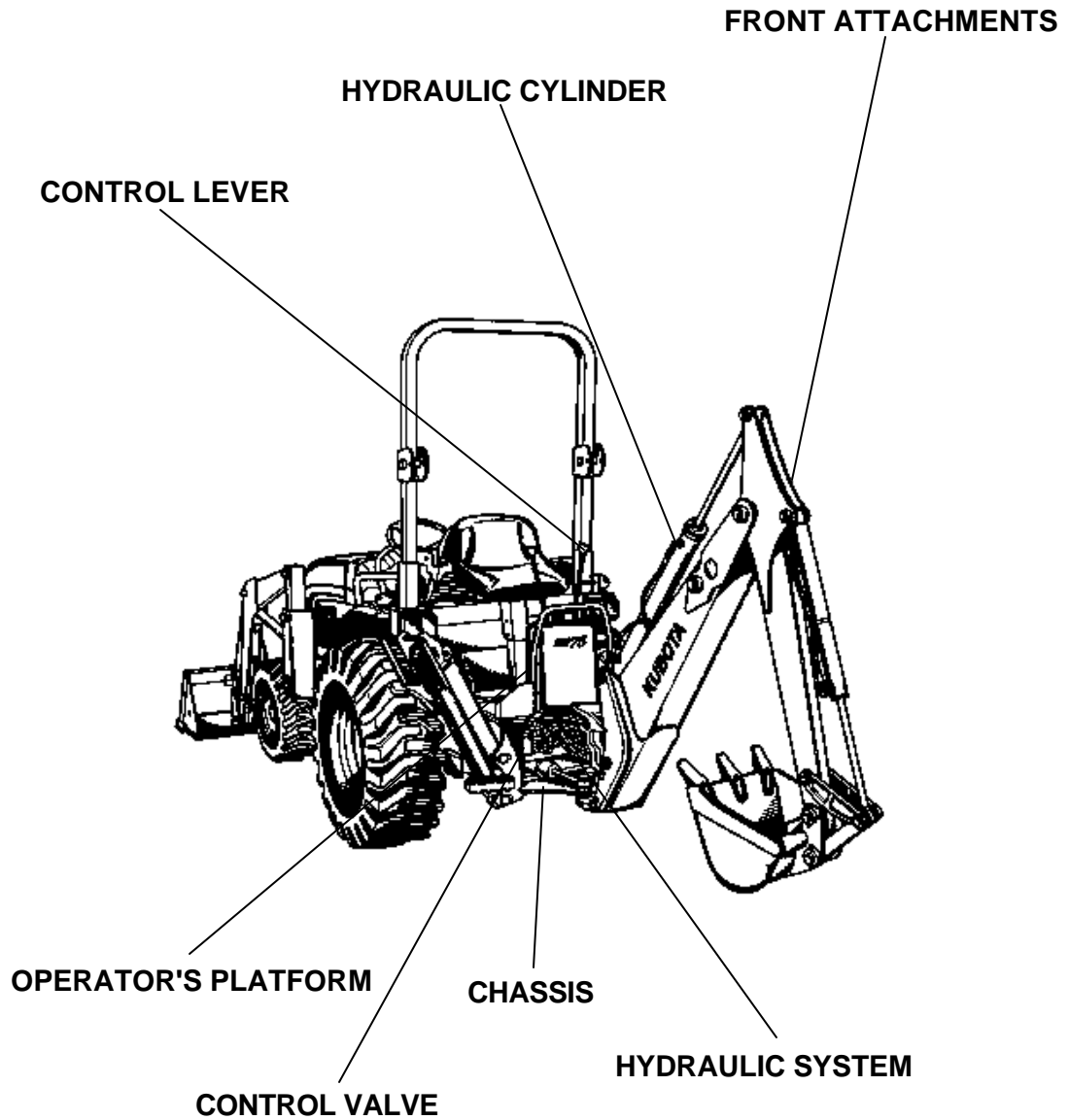
Note about Country Codes:

The parts books we use in the United States of America may also contain information about a part that would be different in another country. It is important that you are aware of the country codes in some instances.

Symbol	Country
A	United States of America
CA	Canada
FR	France
GR	Greece
PO	Portugal
AU	Australia

If the remarks column says for example EXCEPT [FR] this part works in all countries except France. That means it will work here in the USA.

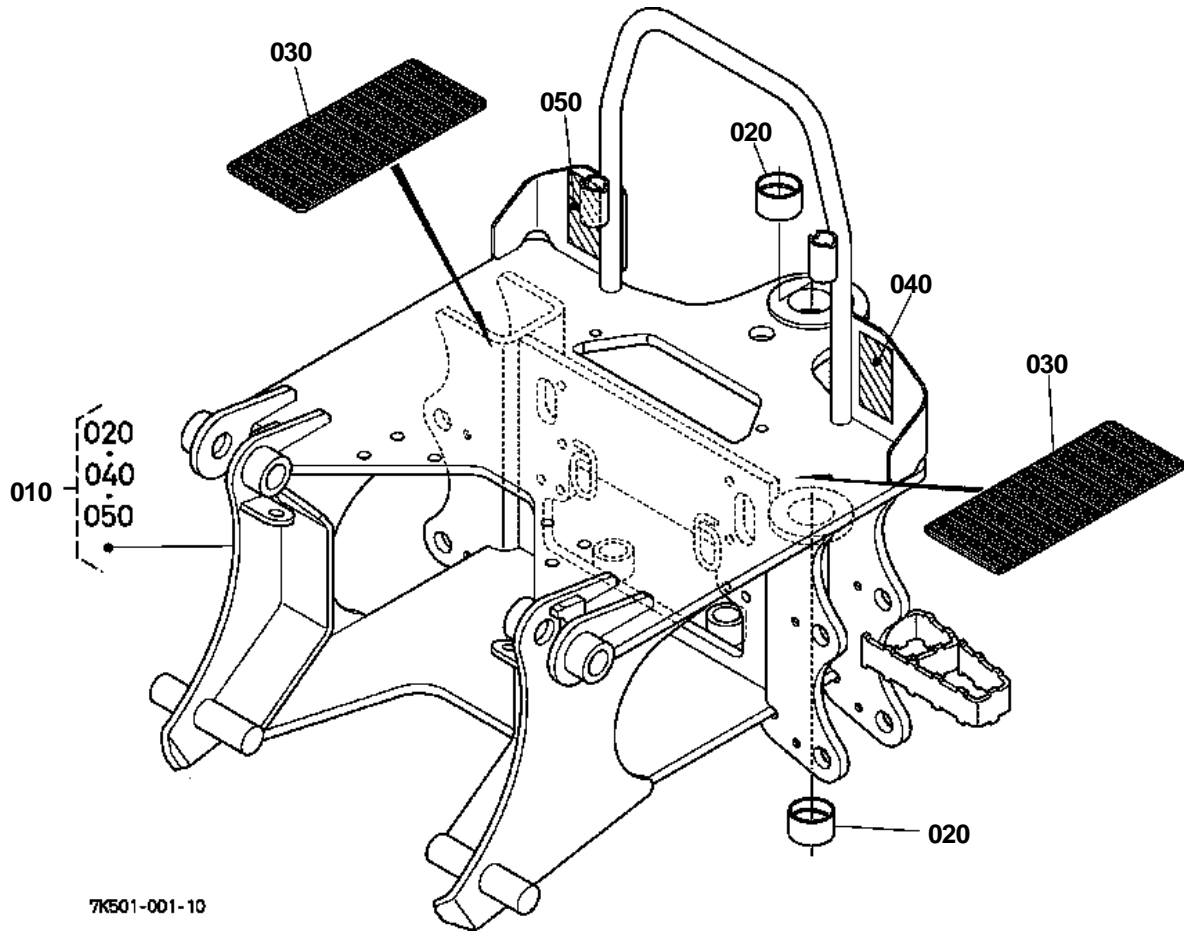
ALL PRODUCT INDEX
BH75



LABELS
ACCESSORIES AND SERVICE PARTS

Item	Part No.	Description	Book
CHASSIS	01B001	MAIN FRAME	100A0278
	01B010	SWING FRAME	100A0278
FRONT ATTACHMENTS	01B050	SWING CYLINDER	100A0278
	01B100	BOOM	100A0278
	01B110	DIPPERSTICK	100A0278
	01B120	BUCKET LINK	100A0278
	01B150	BUCKET	100A0278
	01B160	STABILIZER ARM	100A0278
	CONTROL VALVE	01B200	CONTROL VALVE
01B210		CONTROL VALVE [COMPONENT PARTS]	100A0278
HYDRAULIC SYSTEM	01B220	HYDRAULIC HOSE(INTAKE)	100A0278
	01B230	HYDRAULIC HOSE(SWING)	100A0278
	01B240	HYDRAULIC HOSE(BOOM/DIPPER)	100A0278
	01B250	HYDRAULIC HOSE(BUCKET)	100A0278
	01B260	HYDRAULIC HOSE(STABILIZER)	100A0278
	HYDRAULIC CYLINDER	01B310	CYLINDER(SWING) [COMPONENT PARTS]
01B320		CYLINDER(BOOM) [COMPONENT PARTS]	100A0278
01B330		CYLINDER(DIPPER) [COMPONENT PARTS]	100A0278
01B340		CYLINDER(BUCKET) [COMPONENT PARTS]	100A0278
01B35001		CYLINDER(STABILIZER) [COMPONENT PARTS]	100A0278
01B35002		CYLINDER(STABILIZER) [COMPONENT PARTS]	100A0278
OPERATOR'S PLATFORM		01B401	COVER
	01B410	SEAT	100A0278
CONTROL LEVER	01B510	CONTROL LEVER 1	100A0278
	01B520	CONTROL LEVER 2	100A0278
LABELS	01B710	LABEL	100A0278
ACCESSORIES AND SERVICE PARTS	01B82001	MOUNT KIT(D21)	100A0278
	01B82002	MOUNT KIT(E27)	100A0278
	01B82003	MOUNT KIT(D20)	100A0278

MAIN FRAME



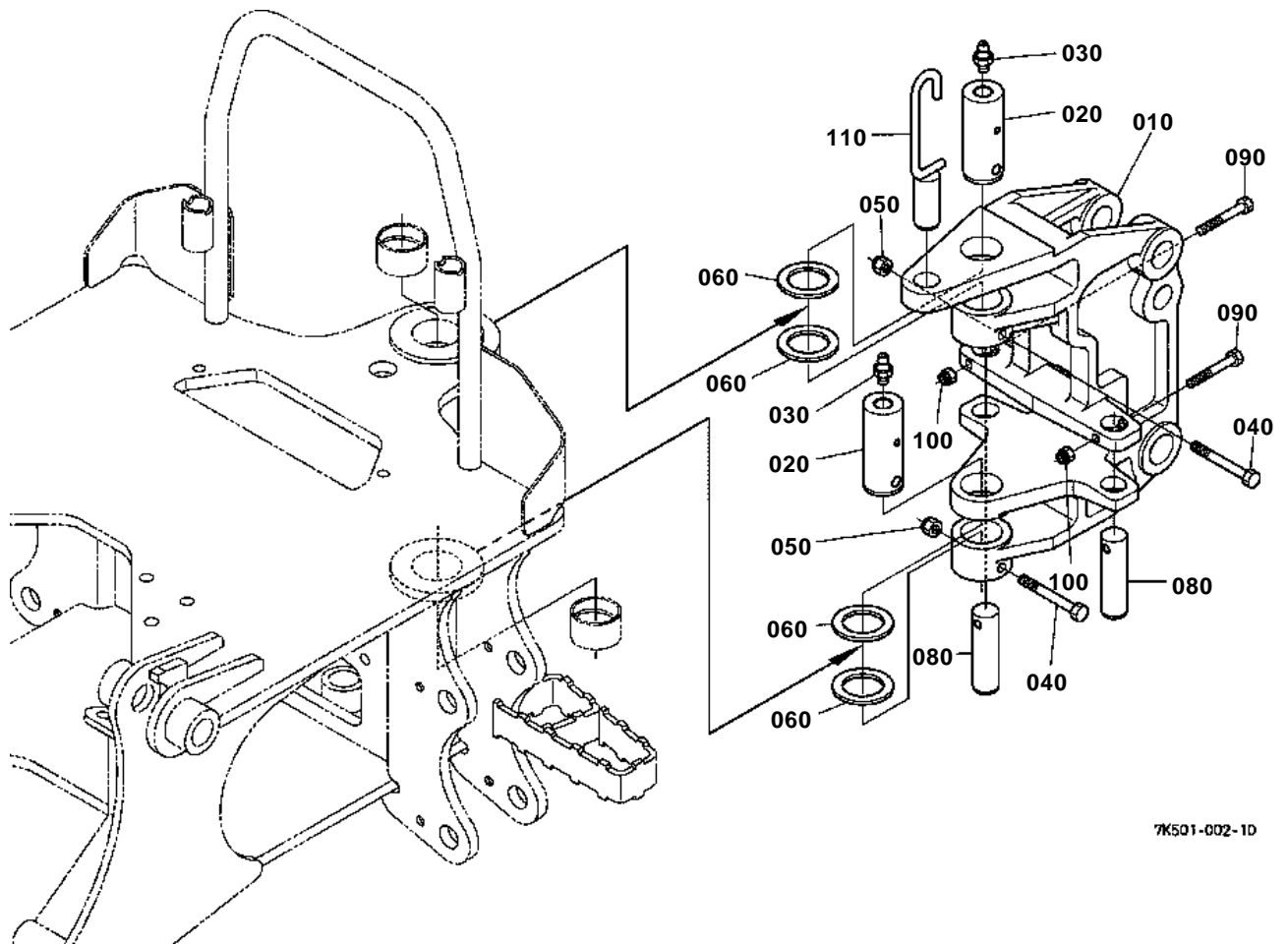


MAIN FRAME

↔ Interchangeable; ≠ not interchangeable; ← new for old; → old for new

REF.No	Part No.	Description	Q'ty	S.No.	I/C	REMARKS	Weight (kgf)	Weight (lb)
010	7K501-90110	FRAME MAIN(LABEL)	1				0	0
020	75596-12250	BUSHING	2				0.17	0.374
030	7K501-11510	MAT	2				0	0
040	75595-75240	LABEL WARNING	1				0.007	0.0154
050	7K501-75290	LABEL WARNING	1				0	0

SWING FRAME



7K501-002-1D

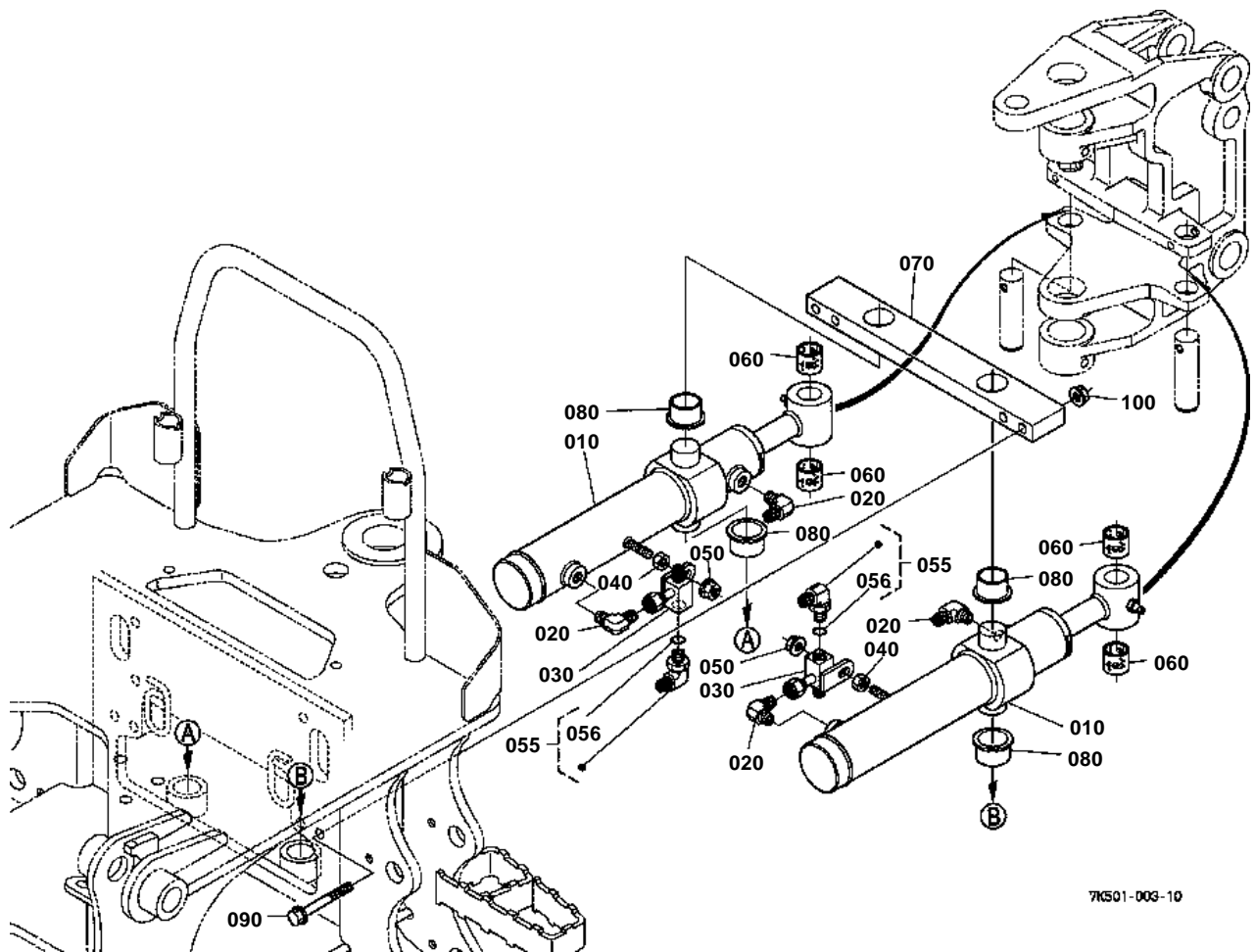


SWING FRAME

↔ Interchangeable; ≠ not interchangeable; ← new for old; → old for new

REF.No	Part No.	Description	Q'ty	S.No.	I/C	REMARKS	Weight (kgf)	Weight (lb)
010	7K501-12110	FRAME SWING	1				0	0
020	7K501-12210	PIN	2				0	0
030	75599-81530	FITTING GREASE	2				0	0
040	01173-51080	BOLT	2				0.049	0.1078
050	02574-50100	NUT LOCK	2				0.007	0.0154
060	75596-12260	COLLAR THRUST	4				0.03	0.066
070	99999-99999	BLANK	0				0	0
080	7K501-14150	PIN	2				0	0
090	01153-50860	BOLT	2				0.024	0.0528
100	02552-50080	NUT LOCK	2				0.005	0.011
110	7K501-14210	PIN LOCK	1				0	0

SWING CYLINDER



7KS01-003-10

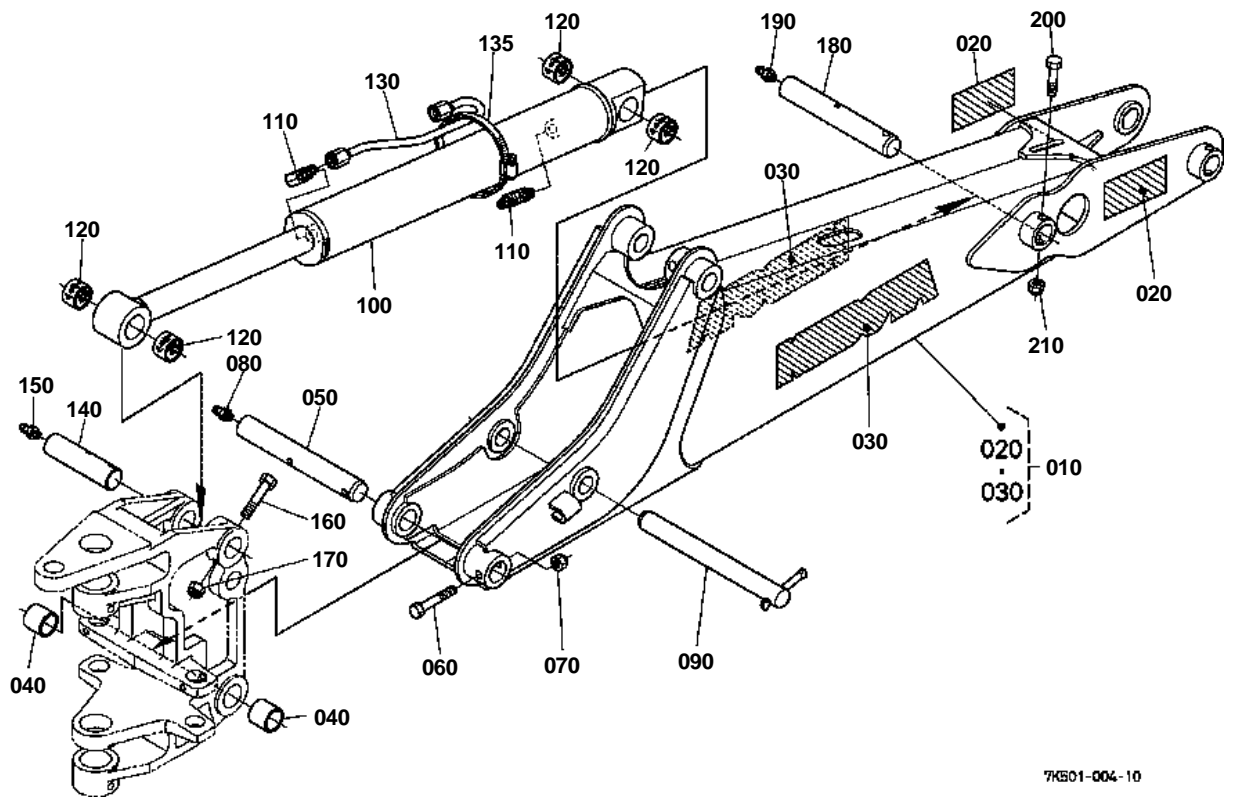


SWING CYLINDER

↔ Interchangeable; ≠ not interchangeable; ← new for old; → old for new

REF.No	Part No.	Description	Q'ty	S.No.	I/C	REMARKS	Weight (kgf)	Weight (lb)
010	7K501-13010	ASSY CYLINDER SWING	2				0	0
020	K6072-63660	ADAPTER	4				0.043	0.0946
030	7K501-13060	ASSY TUBE HYDRAULIC	2				0	0
040	02116-50100	NUT	2				0.004	0.0088
050	02771-60100	NUT FLANGE	2				0.01	0.022
055	75595-64200	ASSY ELBOW ADJUSTA	2				0.52	1.144
056	75595-64220	O-RING	2				0.001	0.0022
060	66021-56130	BEARING DRY	4				0.017	0.0374
070	7K501-14110	SUPPORT CYLINDER	1				0	0
080	78620-14120	BUSH	4				0.04	0.088
090	01774-51080	BOLT FLANGE	4				0.05	0.11
100	02771-60100	NUT FLANGE	4				0.01	0.022

BOOM



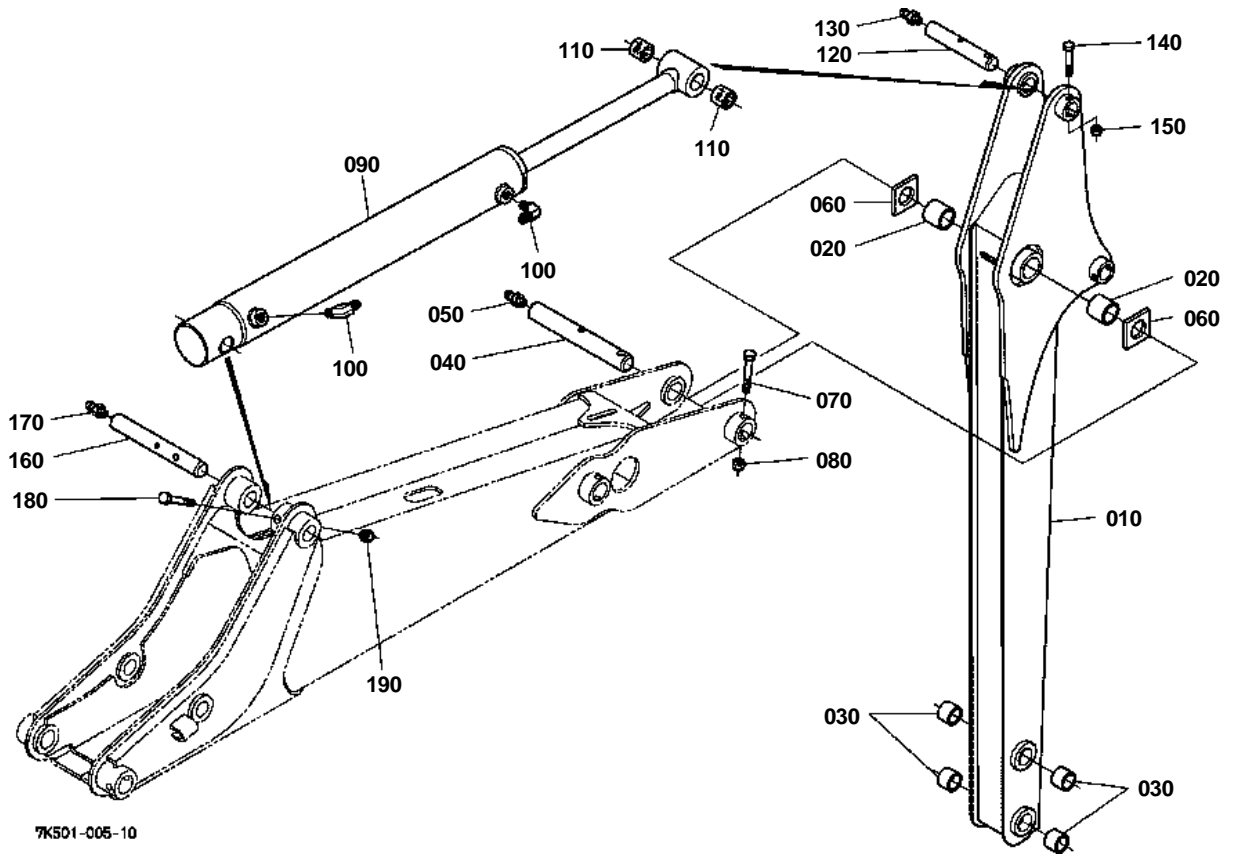
7K501-004-10

**BOOM**

↔ Interchangeable; ≠ not interchangeable; ← new for old; → old for new

REF.No	Part No.	Description	Q'ty	S.No.	I/C	REMARKS	Weight (kgf)	Weight (lb)
010	7K501-90120	BOOM(LABEL)	1				0	0
020	75595-75170	LABEL WARNING	2				0.004	0.0088
030	TD060-80930	LABEL KUBOTA	2				0.007	0.0154
040	78620-21450	RING INNER	2				0.065	0.143
050	75596-21510	PIN	1				1.12	2.464
060	01173-51070	BOLT	1				0.044	0.0968
070	02574-50100	NUT LOCK	1				0.007	0.0154
080	75599-81520	FITTING GREASE	1				0.003	0.0066
090	75595-14220	PIN LOCK	1				1.06	2.332
100	7K501-22010	ASSY CYLINDER BOOM	1				0	0
110	K6072-63660	ADAPTER	2				0.043	0.0946
120	78620-22410	BUSH	4				0.025	0.055
130	75596-52060	ASSY TUBE HYDRAULIC	1				0.15	0.33
135	75595-43510	CLAMP HOSE	1				0.04	0.088
140	75598-23112	PIN	1				0.6	1.32
150	75599-81520	FITTING GREASE	1				0.003	0.0066
160	01173-51075	BOLT	1				0.047	0.1034
170	02574-50100	NUT LOCK	1				0.007	0.0154
180	75596-23150	PIN	1				1.03	2.266
190	75599-81520	FITTING GREASE	1				0.003	0.0066
200	01173-51065	BOLT	1				0.04	0.088
210	02574-50100	NUT LOCK	1				0.007	0.0154

DIPPERSTICK



7K501-005-10

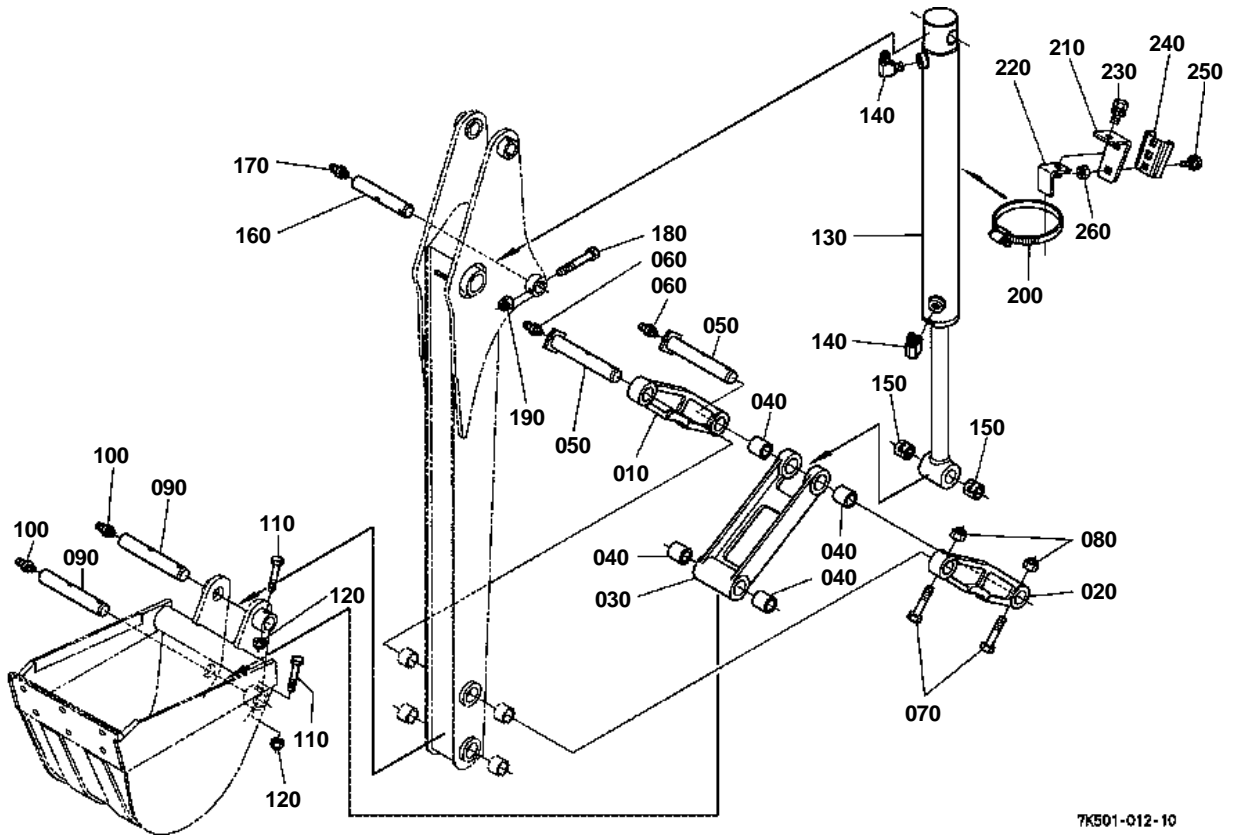


DIPPERSTICK

↔ Interchangeable; ≠ not interchangeable; ← new for old; → old for new

REF.No	Part No.	Description	Q'ty	S.No.	I/C	REMARKS	Weight (kgf)	Weight (lb)
010	7K501-31010	DIPPERSTICK	1				0	0
020	78620-21450	RING INNER	2				0.065	0.143
030	38280-25350	RING INNER	4				0.04	0.088
040	75596-23150	PIN	1				1.03	2.266
050	75599-81520	FITTING GREASE	1				0.003	0.0066
060	78620-31550	SPACER	2				0.035	0.077
070	01173-51065	BOLT	1				0.04	0.088
080	02574-50100	NUT LOCK	1				0.007	0.0154
090	7K501-32010	ASSY CYLINDER DIPPER	1				0	0
100	K6072-63660	ADAPTER	2				0.043	0.0946
110	66021-56130	BEARING DRY	2				0.017	0.0374
120	75598-33110	PIN	1				0.475	1.045
130	75599-81520	FITTING GREASE	1				0.003	0.0066
140	01053-50655	BOLT	1				0.013	0.0286
150	02552-50060	NUT LOCK	1				0.002	0.0044
160	75596-33150	PIN	1				0.69	1.518
170	75599-81520	FITTING GREASE	1				0.003	0.0066
180	01173-51065	BOLT	1				0.04	0.088
190	02574-50100	NUT LOCK	1				0.007	0.0154

BUCKET LINK



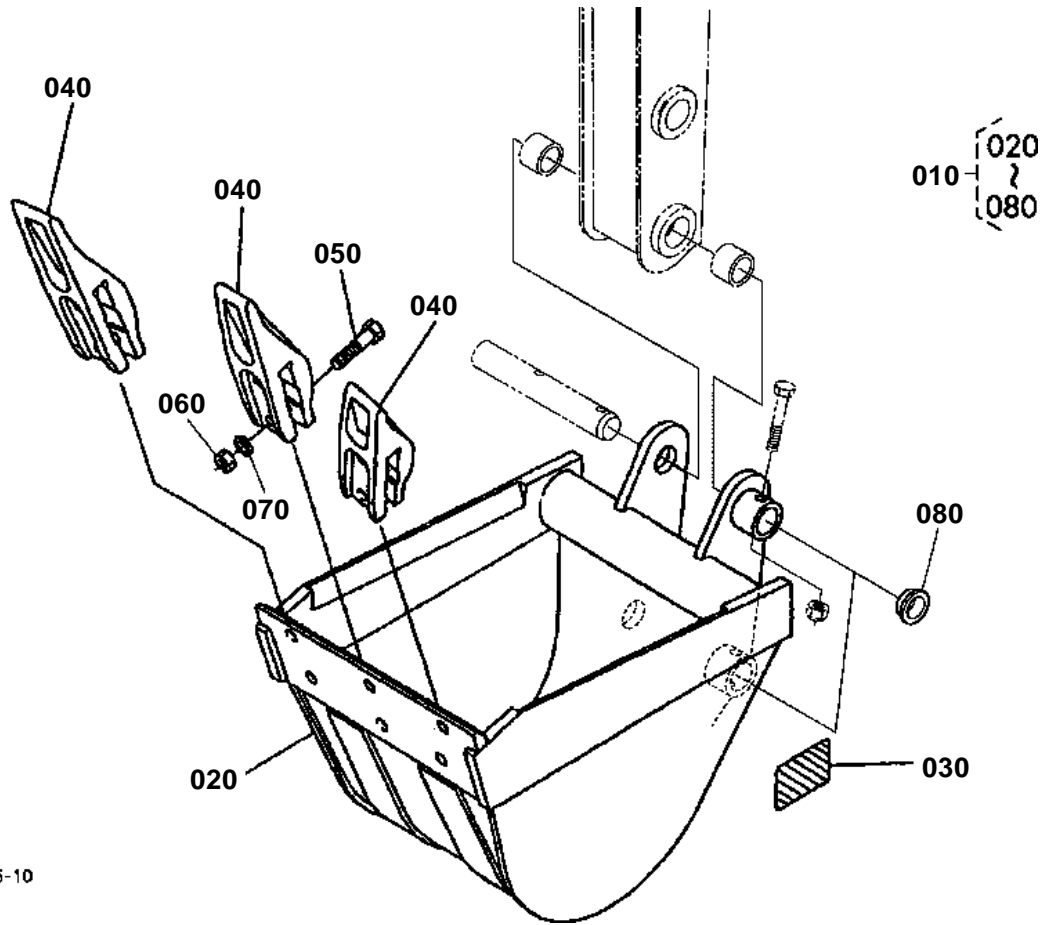
7K501-012-10

**BUCKET LINK**

↔ Interchangeable; ≠ not interchangeable; ← new for old; → old for new

REF.No	Part No.	Description	Q'ty	S.No.	I/C	REMARKS	Weight (kgf)	Weight (lb)
010	75596-41110	LINK 1 GUIDE	1				1.9	4.18
020	75596-41150	LINK 1 GUIDE	1				1.79	3.938
030	75596-41210	LINK BUCKET	1				3.25	7.15
040	38280-25350	RING INNER	4				0.04	0.088
050	75596-42610	PIN	2				0.63	1.386
060	75599-81520	FITTING GREASE	2				0.003	0.0066
070	01173-51065	BOLT	2				0.04	0.088
080	02574-50100	NUT LOCK	2				0.007	0.0154
090	75596-42620	PIN	2				0.23	0.506
100	75599-81520	FITTING GREASE	2				0.003	0.0066
110	01173-51055	BOLT	2				0.036	0.0792
120	02574-50100	NUT LOCK	2				0.007	0.0154
130	7K501-43010	ASSY CYLINDER BUCKET	1				0	0
140	K6072-63660	ADAPTER	2				0.043	0.0946
150	66021-56130	BEARING DRY	2				0.017	0.0374
160	75598-33110	PIN	1				0.475	1.045
170	75599-81520	FITTING GREASE	1				0.003	0.0066
180	01053-50655	BOLT	1				0.013	0.0286
190	02552-50060	NUT LOCK	1				0.002	0.0044
200	75540-64940	CLAMP HOSE	1				0.003	0.0066
210	75590-44210	CLAMP 1 SMV MARK	1				0.145	0.319
220	7K500-44220	CLAMP 1 SMV MARK	1				0.08	0.176
230	01133-51020	BOLT	1				0.02	0.044
240	7L500-89930	SOCKET-MTG SMV	1				0.05	0.11
250	7L500-89810	BOLT SQUARE NECK	2				0.011	0.0242
260	75599-31012	NUT	2				0.007	0.0154

BUCKET



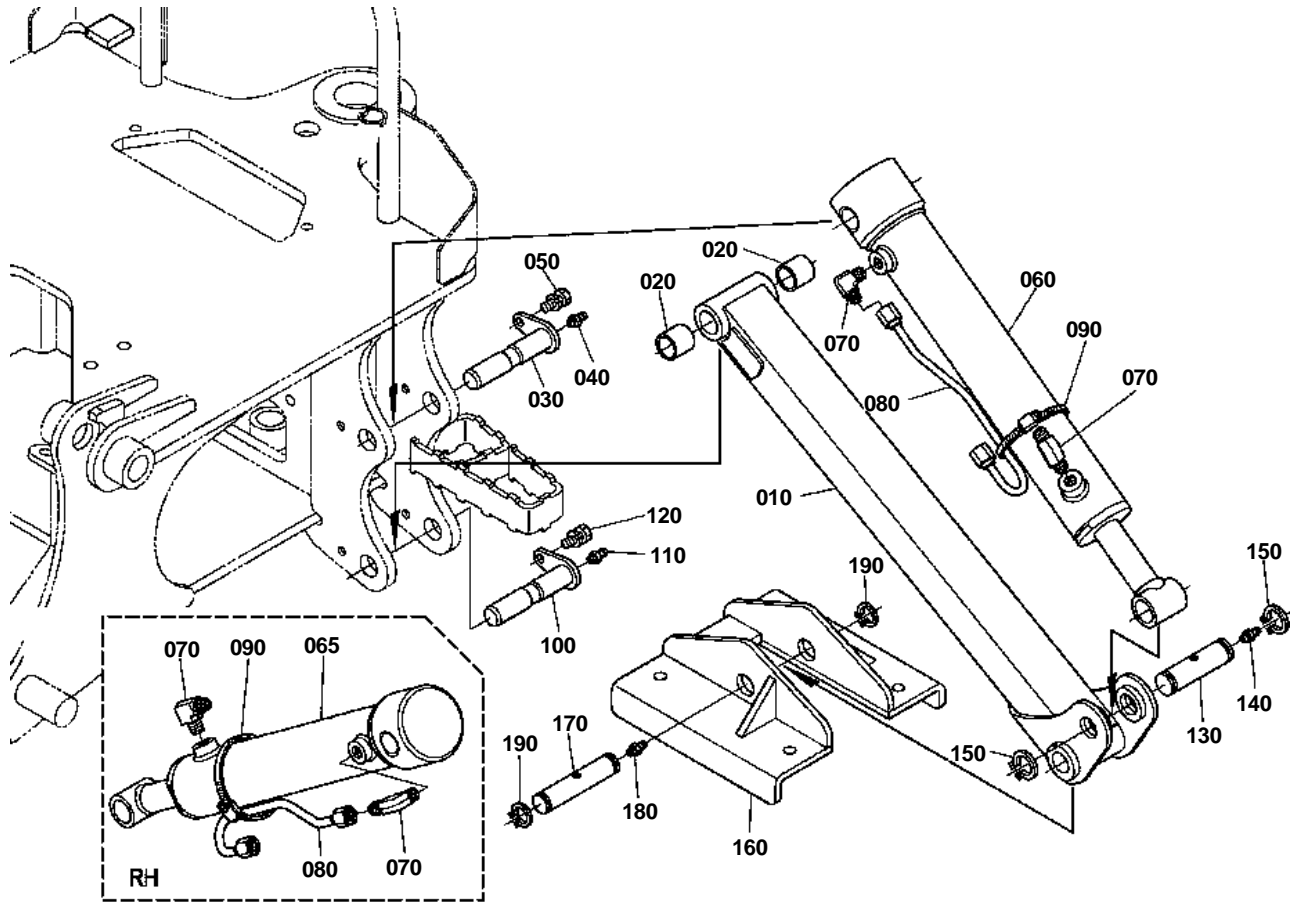
7K501-006-10

**BUCKET**

↔ Interchangeable; ≠ not interchangeable; ← new for old; → old for new

REF.No	Part No.	Description	Q'ty	S.No.	I/C	REMARKS	Weight (kgf)	Weight (lb)
010	75590-42100	ASSY BUCKET 10	1			BT1950A	0	0
010	75590-42200	ASSY BUCKET 12	1			BT1951A	0	0
010	75590-42300	ASSY BUCKET 16	1			BT1952A	0	0
010	75590-42400	ASSY BUCKET 24	1			BT1953A	0	0
020	75590-42010	BUCKET 10	1				0	0
020	75590-42020	BUCKET 12	1				0	0
020	75590-42030	BUCKET 16	1				0	0
020	75590-42040	BUCKET 24	1				0	0
030	99999-99999	LABEL MODEL	1				0	0
040	75590-42572	TOOTH BOLT ON	3			BUCKET 10	0	0
040	75590-42572	TOOTH BOLT ON	3			BUCKET 12	0	0
040	75590-42572	TOOTH BOLT ON	4			BUCKET 16	0	0
040	75590-42572	TOOTH BOLT ON	5			BUCKET 24	0	0
050	75599-04535	HEX.BOLT	6			BUCKET 10 (1/2-20UNF*1 3/4)	0.055	0.121
050	75599-04535	HEX.BOLT	6			BUCKET 12 (1/2-20UNF*1 3/4)	0.055	0.121
050	75599-04535	HEX.BOLT	8			BUCKET 16 (1/2-20UNF*1 3/4)	0.055	0.121
050	75599-04535	HEX.BOLT	10			BUCKET 24 (1/2-20UNF*1 3/4)	0.055	0.121
060	75599-31025	HEX.NUT	6			BUCKET 10	0.015	0.033
060	75599-31025	HEX.NUT	6			BUCKET 12	0.015	0.033
060	75599-31025	HEX.NUT	8			BUCKET 16	0.015	0.033
060	75599-31025	HEX.NUT	10			BUCKET 24	0.015	0.033
070	75599-33015	WASHER SPRING LOCK	6			BUCKET 10 (1/2)	0.006	0.0132
070	75599-33015	WASHER SPRING LOCK	6			BUCKET 12 (1/2)	0.006	0.0132
070	75599-33015	WASHER SPRING LOCK	8			BUCKET 16 (1/2)	0.006	0.0132
070	75599-33015	WASHER SPRING LOCK	10			BUCKET 24 (1/2)	0.006	0.0132
080	75590-42580	CAP	4				0.002	0.0044

STABILIZER ARM



7K501-008-10

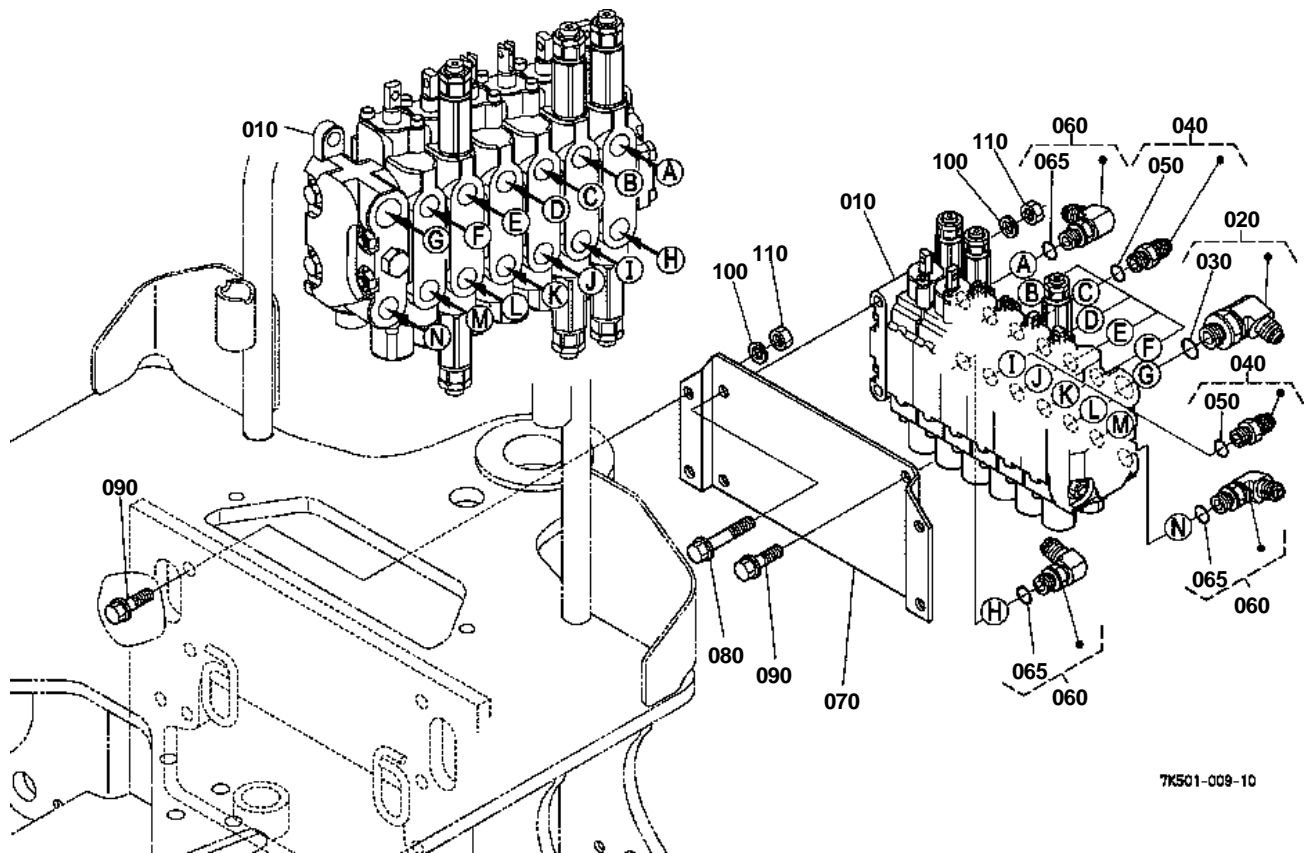


STABILIZER ARM

↔ Interchangeable; ≠ not interchangeable; ← new for old; → old for new

REF.No	Part No.	Description	Q'ty	S.No.	I/C	REMARKS	Weight (kgf)	Weight (lb)
010	7K501-51010	ARM STABILIZER	2				0	0
020	38280-25350	RING INNER	4				0.04	0.088
030	7K501-51210	PIN	2				0	0
040	75599-81520	FITTING GREASE	2				0.003	0.0066
050	01133-51025	BOLT	2				0.023	0.0506
060	7K501-52010	ASSY CYLINDER.STABI.	1			LH	0	0
065	7K501-52020	ASSY CYLINDER.STABI.	1			RH	0	0
070	K6072-63660	ADAPTER	4				0.043	0.0946
080	75596-52060	ASSY TUBE HYDRAULIC	2				0.15	0.33
090	75540-64940	CLAMP HOSE	2				0.003	0.0066
100	7K501-51210	PIN	2				0	0
110	75599-81520	FITTING GREASE	2				0.003	0.0066
120	01133-51025	BOLT	2				0.023	0.0506
130	7K501-53150	PIN	2				0	0
140	75599-81520	FITTING GREASE	2				0.003	0.0066
150	75599-41530	CIR-CLIP EXTERNAL	4				0	0
160	7K501-53303	STABILIZER PAD	2				0	0
170	7K501-53230	PIN	2	<=10145			0	0
170	7K501-53232	PIN	2	>=10146	-		0	0
180	75599-81520	FITTING GREASE	2				0.003	0.0066
190	75599-41530	CIR-CLIP EXTERNAL	4				0	0

CONTROL VALVE



7K501-009-10

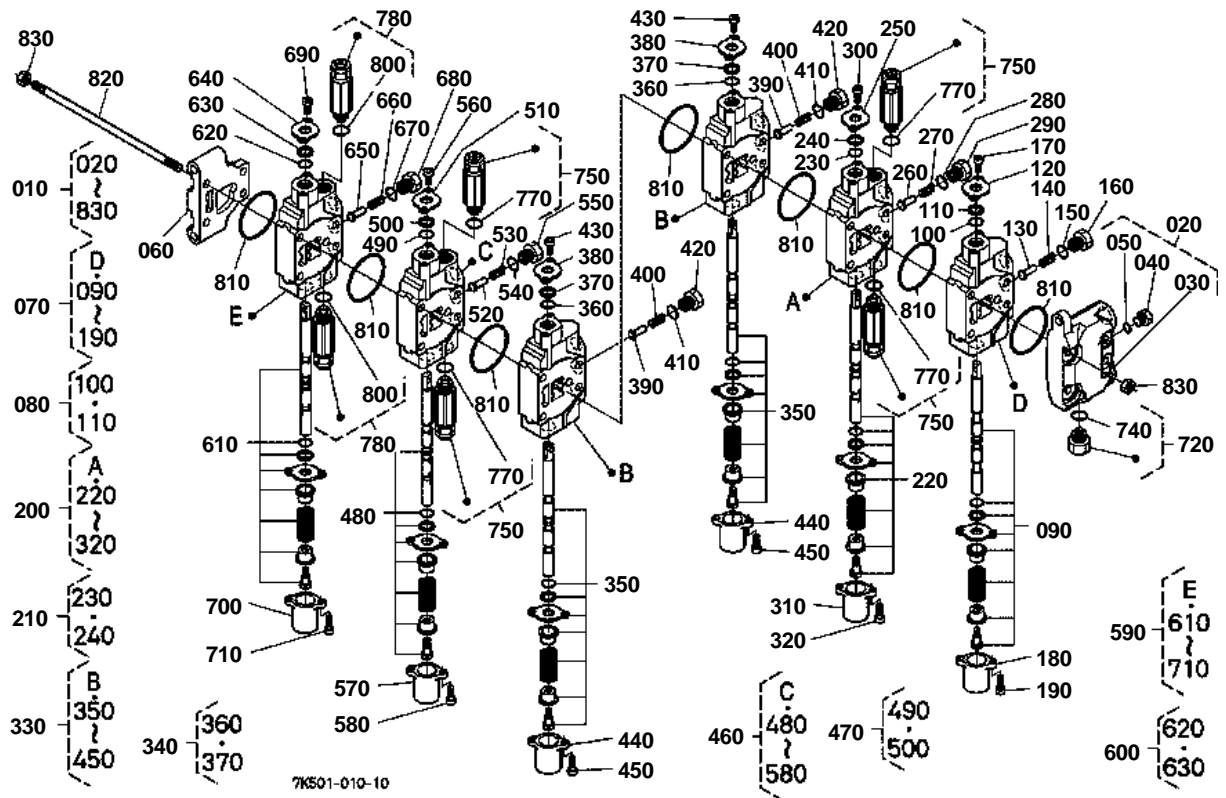


CONTROL VALVE

↔ Interchangeable; ≠ not interchangeable; ← new for old; → old for new

REF.No	Part No.	Description	Q'ty	S.No.	I/C	REMARKS	Weight (kgf)	Weight (lb)
010	7K501-63010	ASSY VALVE CONTROL	1				0	0
020	75560-61950	ASSY ELBOW 2 ADJUSTA	1				0.14	0.308
030	75540-61820	O-RING	1				0.001	0.0022
040	7K500-63800	ASSY JOINT STRAIGHT	10				0.034	0.0748
050	75595-64220	O-RING	10				0.001	0.0022
060	75595-64200	ASSY ELBOW ADJUSTA	3				0.52	1.144
065	75595-64220	O-RING	3				0.001	0.0022
070	7K501-61240	STAY VALVE	1				0	0
080	01774-51055	BOLT FLANGE	2				0.04	0.088
090	01774-51030	BOLT FLANGE	5				0.02	0.044
100	04512-60100	WASHER SPRING	7				0.002	0.0044
110	02118-50100	NUT	7				0.005	0.011

CONTROL VALVE [COMPONENT PARTS]





CONTROL VALVE [COMPONENT PARTS]

↔ Interchangeable; ≠ not interchangeable; ← new for old; → old for new

REF.No	Part No.	Description	Q'ty	S.No.	I/C	REMARKS	Weight (kgf)	Weight (lb)
010	7K501-63010	ASSY VALVE CONTROL	1				0	0
020	7K501-63040	ASSY BODY INLET	1				0	0
030	7K500-63070	BODY INLET	1				0.04	0.088
040	7K500-63080	PLUG	1				0.04	0.088
050	7K500-63090	O RING	1				0.001	0.0022
060	7K500-63050	COVER END	1				0.6	1.32
070	7K501-63200	ASSY VALVE BUCKET	1				0	0
080	7K500-99800	KIT SEAL	1				0.198	0.4356
090	7K501-63250	ASSY SPOOL BUCKET	1				0	0
100	04816-00120	O RING	1				0.001	0.0022
110	RB401-70510	WIPER(DUST)	1				0.5	1.1
120	RB401-70300	PLATE(OIL SEAL)	1				0.008	0.0176
130	RB401-70340	SPOOL	1				0.007	0.0154
140	RB401-70530	SPRING	1				0.001	0.0022
150	04817-00110	O RING	1				0.001	0.0022
160	RB401-70400	PLUG(CHECK VALVE)	1				0.027	0.0594
170	01350-10510	BOLT HEX-SOC-HD	2				0.003	0.0066
180	RB401-70290	CAP	1				0.031	0.0682
190	RA011-70830	BOLT	2				0.009	0.0198
200	7K501-63300	ASSY VALVE DIPPER	1				0	0
210	7K500-99800	KIT SEAL	1				0.198	0.4356
220	7K501-63350	ASSY SPOOL DIPPER	1				0	0
230	04816-00120	O RING	1				0.001	0.0022
240	RB401-70510	WIPER(DUST)	1				0.5	1.1
250	RB401-70300	PLATE(OIL SEAL)	1				0.008	0.0176
260	RB401-70340	SPOOL	1				0.007	0.0154
270	RB401-70530	SPRING	1				0.001	0.0022
280	04817-00110	O RING	1				0.001	0.0022
290	RB401-70400	PLUG(CHECK VALVE)	1				0.027	0.0594
300	01350-10510	BOLT HEX-SOC-HD	2				0.003	0.0066
310	RB401-70290	CAP	1				0.031	0.0682
320	RA011-70830	BOLT	2				0.009	0.0198
330	7K501-63400	ASSY VALVE STABI.	2				0	0
340	7K500-99800	KIT SEAL	2				0.198	0.4356
350	7K501-63450	ASSY SPOOL STABI.	2				0	0
360	04816-00120	O RING	2				0.001	0.0022
370	RB401-70510	WIPER(DUST)	2				0.5	1.1
380	RB401-70300	PLATE(OIL SEAL)	2				0.008	0.0176
390	RB401-70340	SPOOL	2				0.007	0.0154
400	RB401-70530	SPRING	2				0.001	0.0022
410	04817-00110	O RING	2				0.001	0.0022
420	RB401-70400	PLUG(CHECK VALVE)	2				0.027	0.0594
430	01350-10510	BOLT HEX-SOC-HD	4				0.003	0.0066
440	RB401-70290	CAP	2				0.031	0.0682
450	RA011-70830	BOLT	4				0.009	0.0198
460	7K501-63500	ASSY VALVE BOOM	1				0	0
470	7K500-99800	KIT SEAL	1				0.198	0.4356
480	7K501-63550	ASSY SPOOL BOOM	1				0	0
490	04816-00120	O RING	1				0.001	0.0022
500	RB401-70510	WIPER(DUST)	1				0.5	1.1
510	RB401-70300	PLATE(OIL SEAL)	1				0.008	0.0176

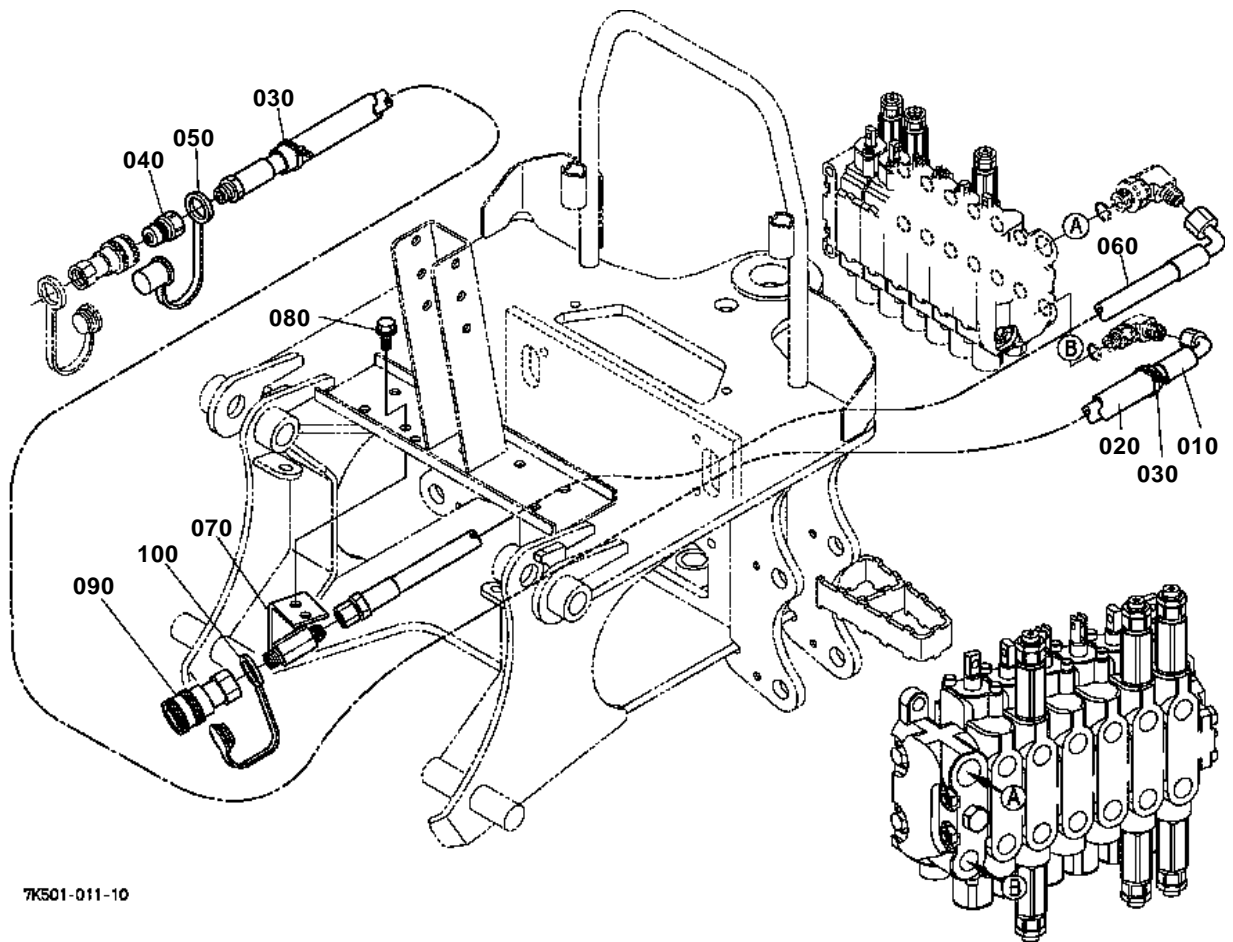


CONTROL VALVE [COMPONENT PARTS]

↔ Interchangeable; ≠ not interchangeable; ← new for old; → old for new

REF.No	Part No.	Description	Q'ty	S.No.	I/C	REMARKS	Weight (kgf)	Weight (lb)
520	RB401-70340	SPOOL	1				0.007	0.0154
530	RB401-70530	SPRING	1				0.001	0.0022
540	04817-00110	O RING	1				0.001	0.0022
550	RB401-70400	PLUG(CHECK VALVE)	1				0.027	0.0594
560	01350-10510	BOLT HEX-SOC-HD	2				0.003	0.0066
570	RB401-70290	CAP	1				0.031	0.0682
580	RA011-70830	BOLT	2				0.009	0.0198
590	7K501-63600	ASSY VALVE SWING	1				0	0
600	7K500-99800	KIT SEAL	1				0.198	0.4356
610	7K501-63650	ASSY SPOOL SWING	1				0	0
620	04816-00120	O RING	1				0.001	0.0022
630	RB401-70510	WIPER(DUST)	1				0.5	1.1
640	RB401-70300	PLATE(OIL SEAL)	1				0.008	0.0176
650	RB401-70340	SPOOL	1				0.007	0.0154
660	RB401-70530	SPRING	1				0.001	0.0022
670	04817-00110	O RING	1				0.001	0.0022
680	RB401-70400	PLUG(CHECK VALVE)	1				0.027	0.0594
690	01350-10510	BOLT HEX-SOC-HD	2				0.003	0.0066
700	RB401-70290	CAP	1				0.031	0.0682
710	RA011-70830	BOLT	2				0.009	0.0198
720	7K501-63110	ASSY PLUG	1				0	0
730	99999-99999	BLANK	0				0	0
740	04817-00140	O RING	1				0.001	0.0022
750	7K501-63710	ASSY VALVE RELIEF	4				0	0
760	99999-99999	BLANK	0				0	0
770	04817-00140	O RING	4				0.001	0.0022
780	7K501-63730	ASSY VALVE RELIEF	2				0	0
790	99999-99999	BLANK	0				0	0
800	04817-00140	O RING	2				0.001	0.0022
810	RB401-70020	O RING	7				0.002	0.0044
820	7K500-63030	BOLT	4				0.08	0.176
830	RA011-70670	NUT	8				0.006	0.0132

HYDRAULIC HOSE(INTAKE)



7K501-011-10

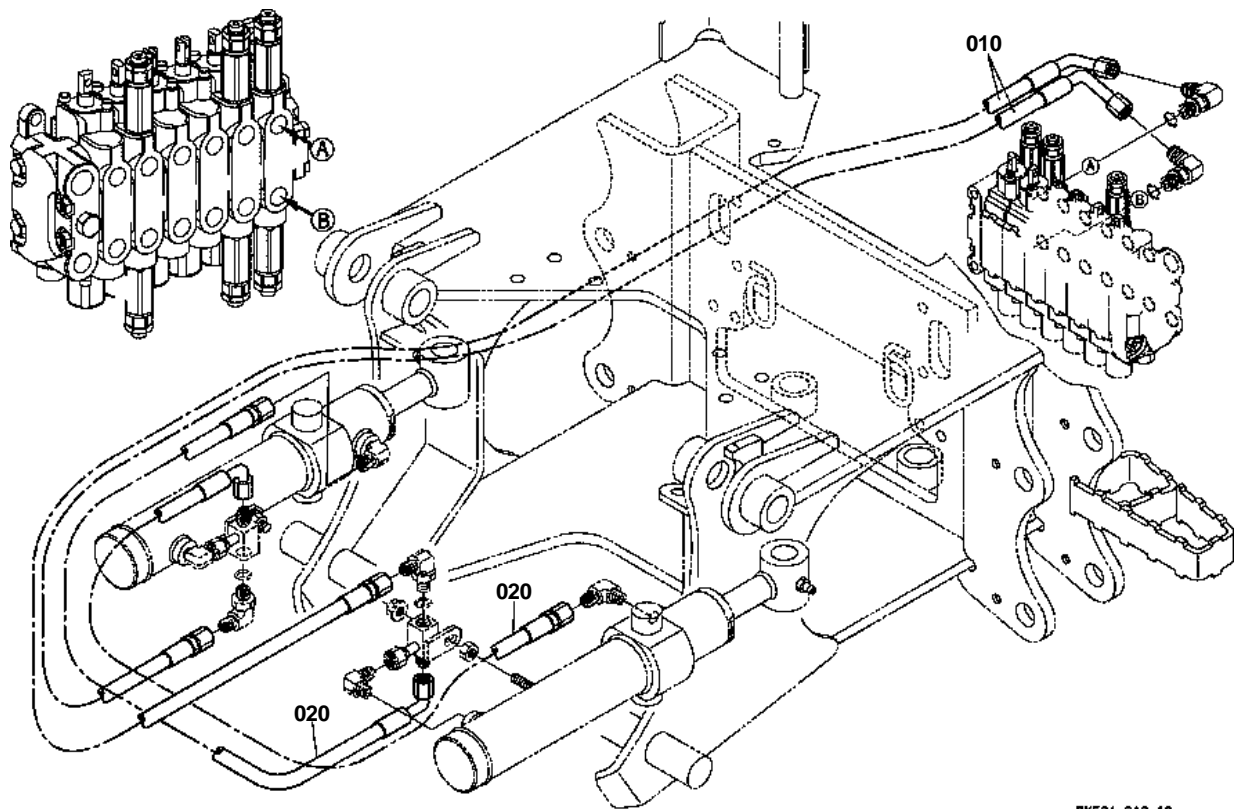


HYDRAULIC HOSE(INTAKE)

↔ Interchangeable; ≠ not interchangeable; ← new for old; → old for new

REF.No	Part No.	Description	Q'ty	S.No.	I/C	REMARKS	Weight (kgf)	Weight (lb)
010	7K501-64110	HOSE HYDRAULIC	1				0	0
020	75583-66330	SLEEVE	1				0.06	0.132
030	75590-64650	BAND CODE	2				0.01	0.022
040	75540-66220	NIPPLE	1				0.06	0.132
050	7J246-66410	CAP DUST	1				0.002	0.0044
060	7K501-64150	HOSE HYDRAULIC	1				0	0
070	7K501-64170	JOINT COUPLER	1				0	0
080	30810-18870	BOLT FLANGE	2				0.012	0.0264
090	75540-66320	COUPLER	1				0.23	0.506
100	7J246-66330	PLUG DUST	1				0.002	0.0044

HYDRAULIC HOSE(SWING)



7K501-013-10

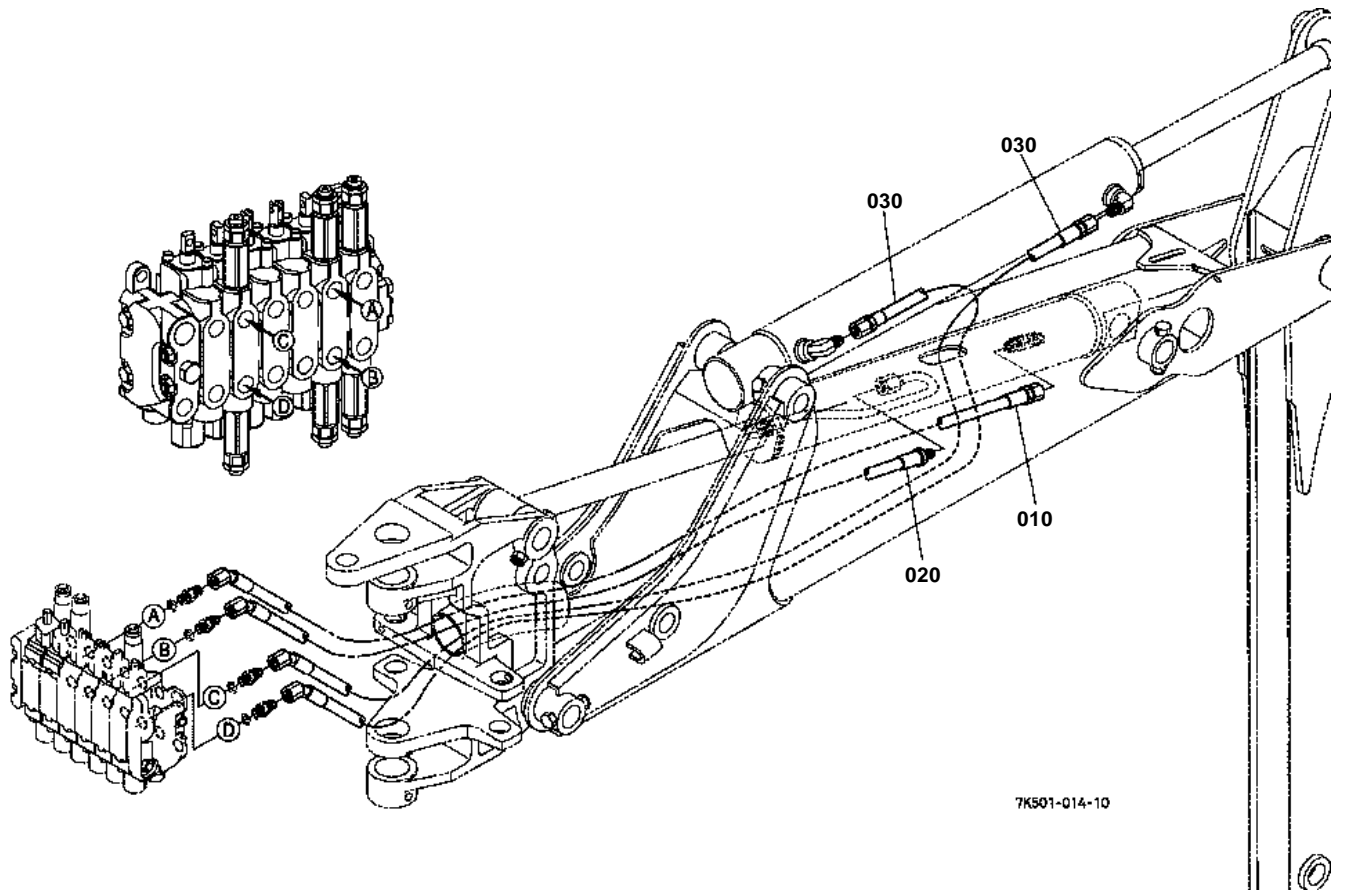


HYDRAULIC HOSE(SWING)

↔ Interchangeable; ≠ not interchangeable; ← new for old; → old for new

REF.No	Part No.	Description	Q'ty	S.No.	I/C	REMARKS	Weight (kgf)	Weight (lb)
010	7K501-64230	HOSE HYDRAULIC	2				0	0
020	7K501-64260	HOSE HYDRAULIC	2				0	0

HYDRAULIC HOSE(BOOM/DIPPER)



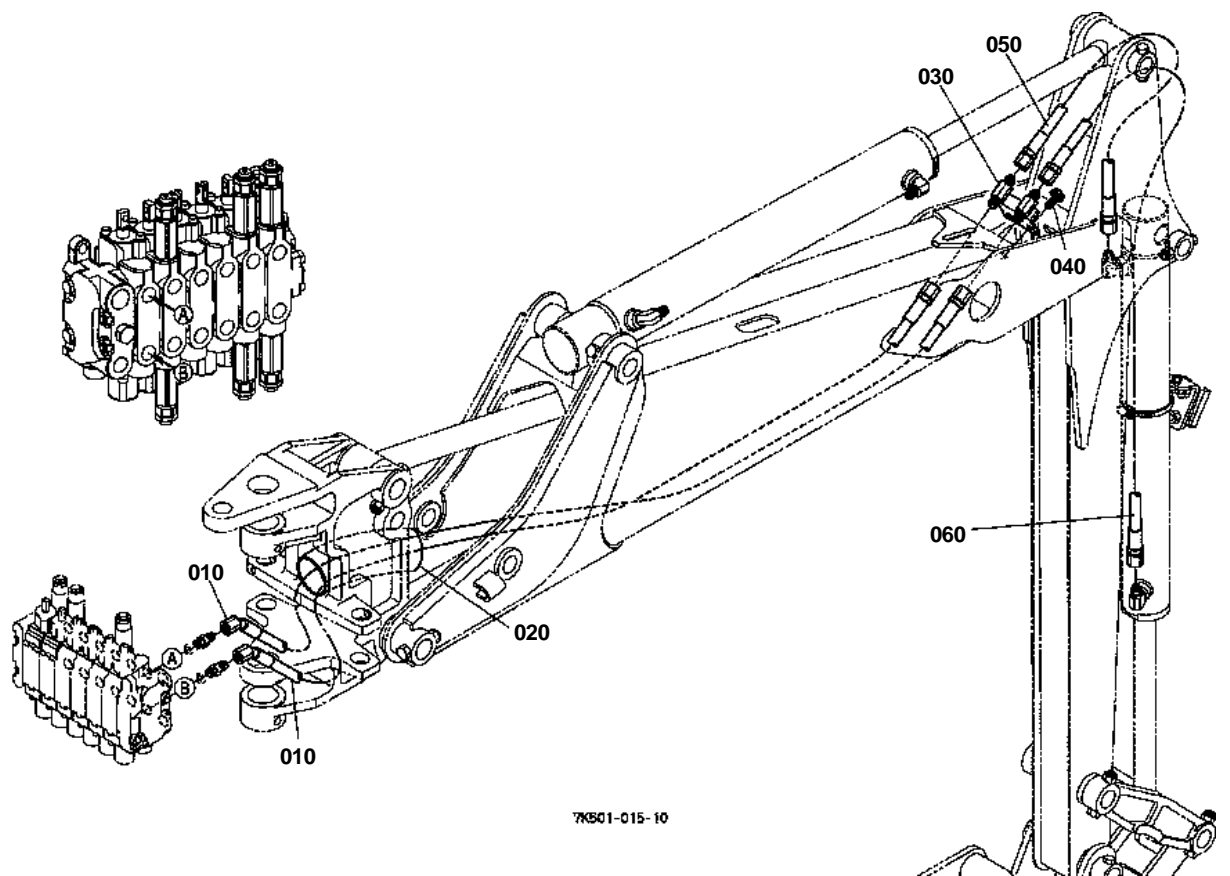


HYDRAULIC HOSE(BOOM/DIPPER)

↔ Interchangeable; ≠ not interchangeable; ← new for old; → old for new

REF.No	Part No.	Description	Q'ty	S.No.	I/C	REMARKS	Weight (kgf)	Weight (lb)
010	7K501-64310	HOSE HYDRAULIC	1				0	0
020	7K501-64320	HOSE HYDRAULIC	1				0	0
030	7K501-64410	HOSE HYDRAULIC	2				0	0

HYDRAULIC HOSE(BUCKET)



7KS01-015-10

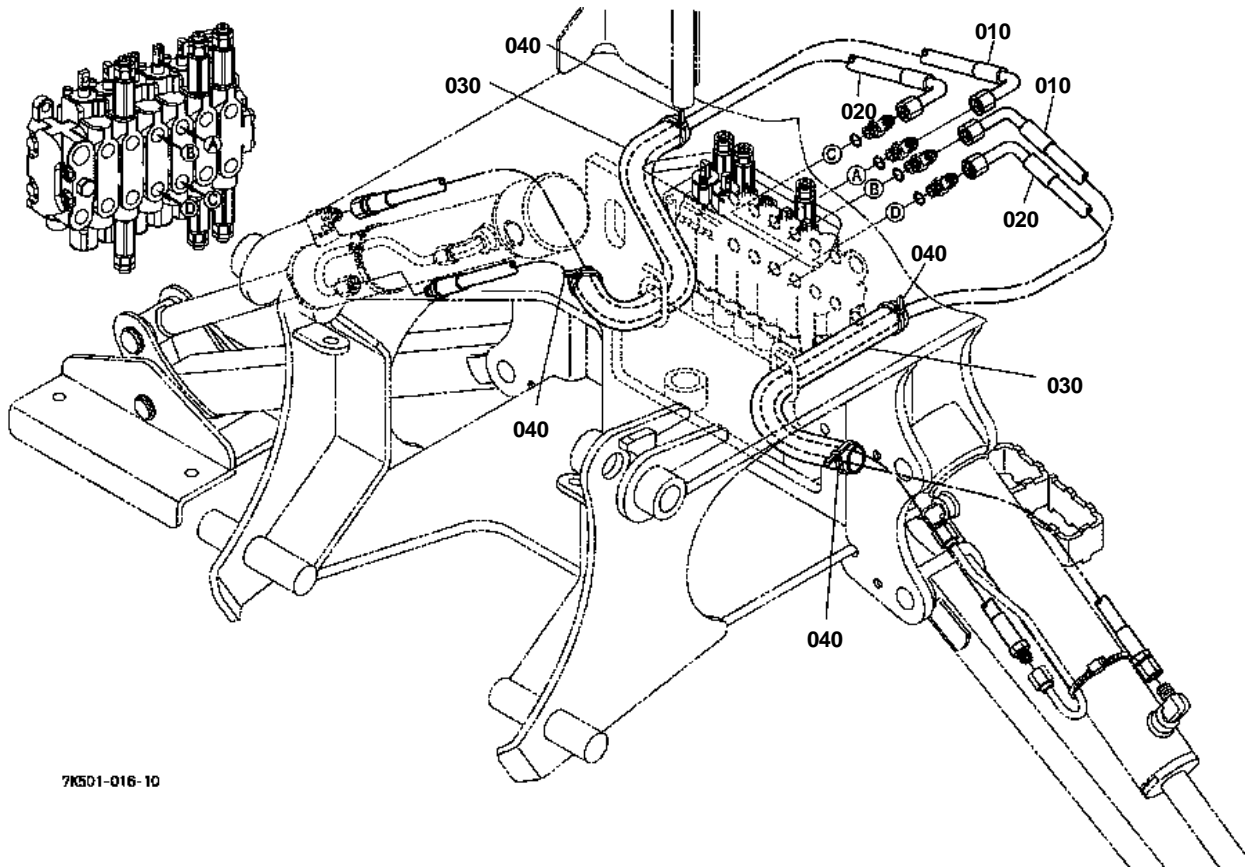


HYDRAULIC HOSE(BUCKET)

↔ Interchangeable; ≠ not interchangeable; ← new for old; → old for new

REF.No	Part No.	Description	Q'ty	S.No.	I/C	REMARKS	Weight (kgf)	Weight (lb)
010	7K501-64510	HOSE HYDRAULIC	2				0	0
020	75590-64580	SLEEVE	1				0.135	0.297
030	7K501-64710	JOINT HOSE	1				0	0
040	01754-50820	BOLT FLANGE	2				0.015	0.033
050	7K501-64550	HOSE 12L HYDRAULIC	1				0	0
060	7K501-64560	HOSE 12R HYDRAULIC	1				0	0

HYDRAULIC HOSE(STABILIZER)



7K501-016-10

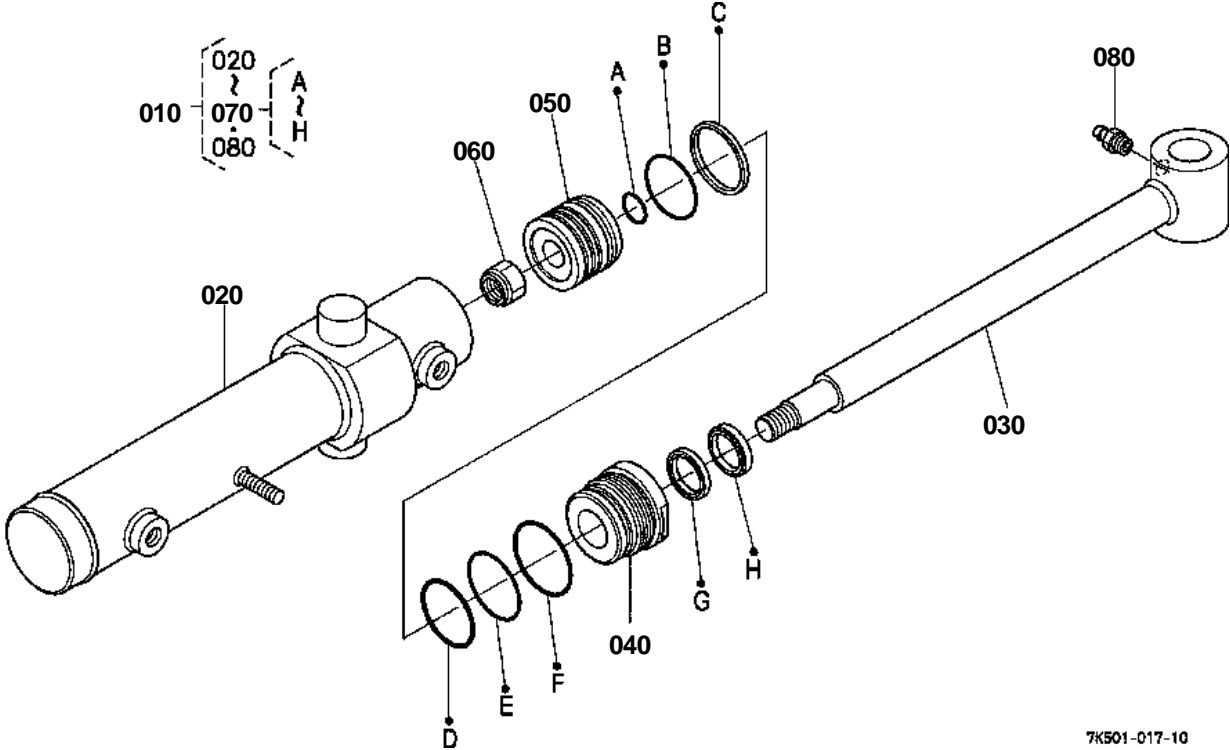


HYDRAULIC HOSE(STABILIZER)

↔ Interchangeable; ≠ not interchangeable; ← new for old; → old for new

REF.No	Part No.	Description	Q'ty	S.No.	I/C	REMARKS	Weight (kgf)	Weight (lb)
010	7K501-64610	HOSE HYDRAULIC	2				0	0
020	7K501-64630	HOSE HYDRAULIC	2				0	0
030	75567-76320	SLEEVE P.B.	2				0.049	0.1078
040	75590-64650	BAND CODE	4				0.01	0.022

CYLINDER(SWING) [COMPONENT PARTS]



7K501-017-10

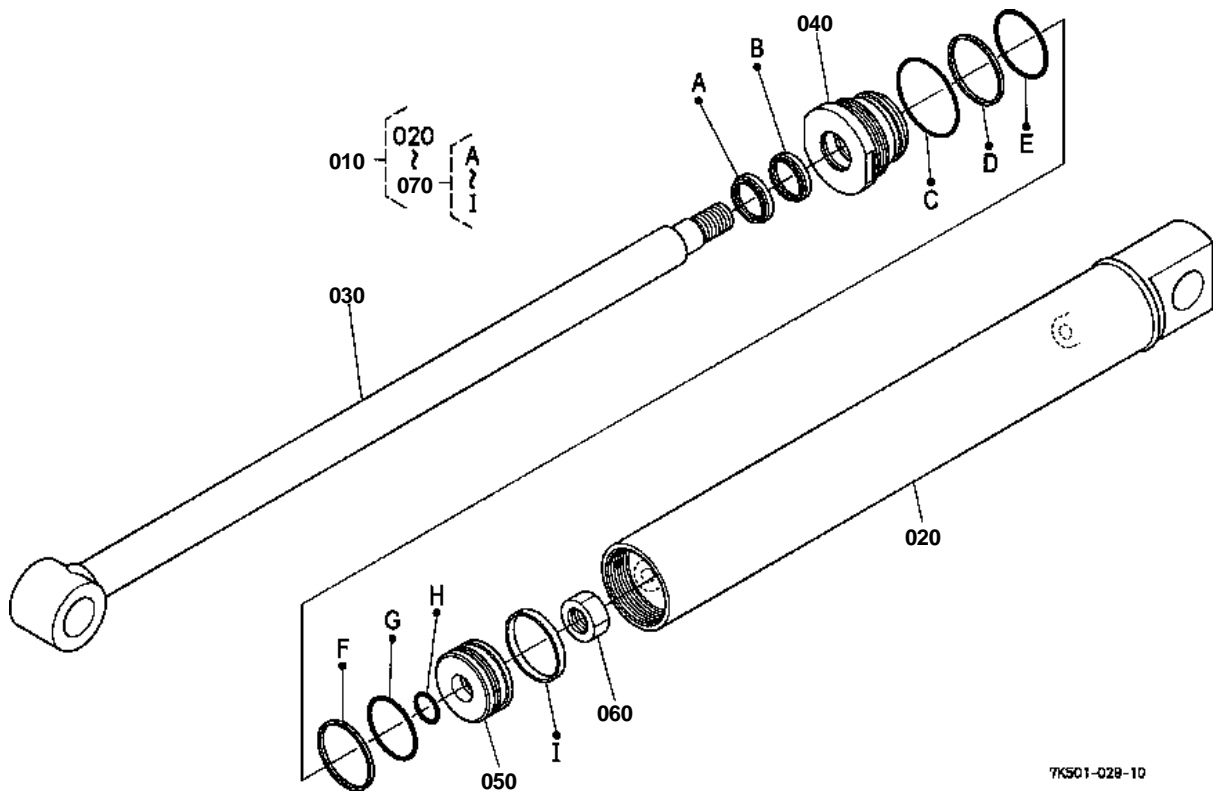


CYLINDER(SWING) [COMPONENT PARTS]

↔ Interchangeable; ≠ not interchangeable; ← new for old; → old for new

REF.No	Part No.	Description	Q'ty	S.No.	I/C	REMARKS	Weight (kgf)	Weight (lb)
010	7K501-13010	ASSY CYLINDER SWING	2				0	0
020	7K501-13030	COMP.TUBE SWING	2				0	0
030	7K501-13050	COMP.ROD SWING	2				0	0
040	7K501-13110	HEAD	2			50*25	0	0
050	7K501-13210	PISTON	2			SWING 50*25	0	0
060	7K501-13250	NUT	2			M18*1.5	0	0
070	7K501-13300	KIT SEAL	2			1/8-27NPT	0	0
080	75599-81530	FITTING GREASE	2				0	0

CYLINDER(BOOM) [COMPONENT PARTS]



7K501-028-10

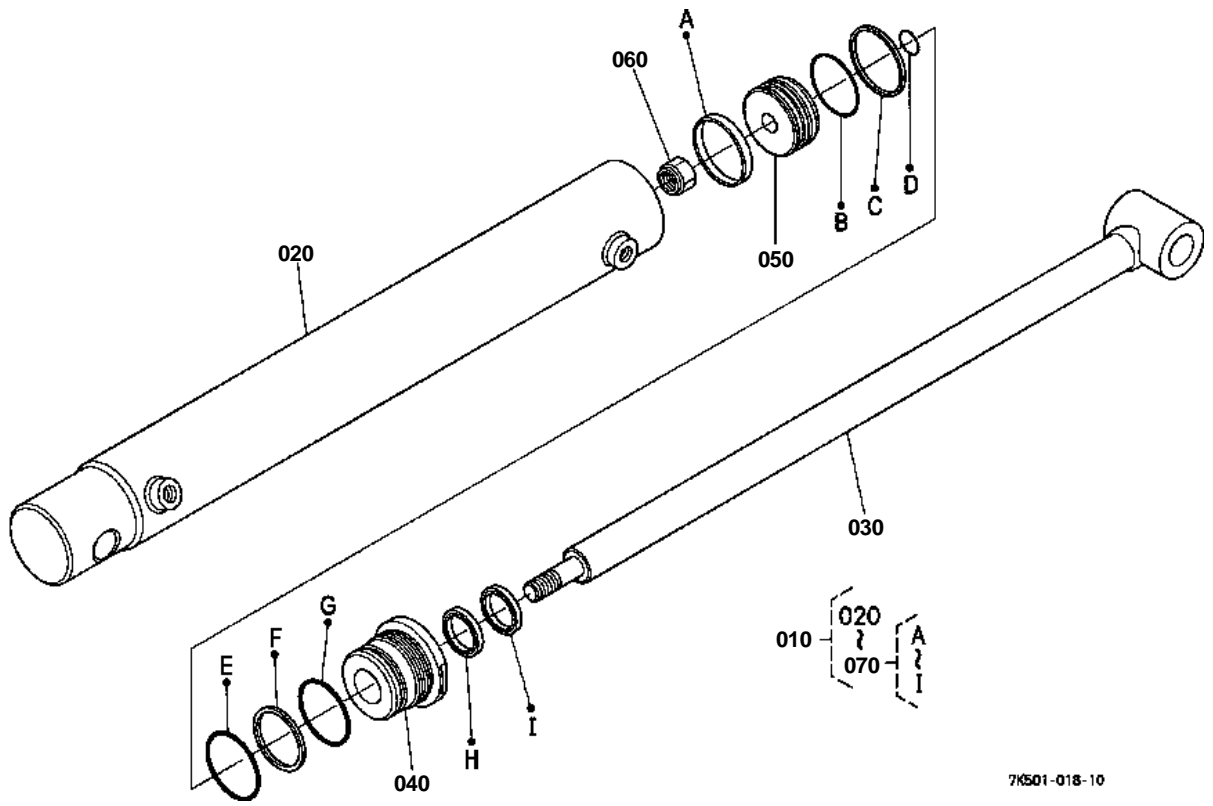


CYLINDER(BOOM) [COMPONENT PARTS]

↔ Interchangeable; ≠ not interchangeable; ← new for old; → old for new

REF.No	Part No.	Description	Q'ty	S.No.	I/C	REMARKS	Weight (kgf)	Weight (lb)
010	7K501-22010	ASSY CYLINDER BOOM	1				0	0
020	7K501-22030	COMP.TUBE BOOM	1				0	0
030	7K501-22050	COMP.ROD BOOM	1				0	0
040	7K501-22110	HEAD	1			65*35	0	0
050	7K501-22210	PISTON	1			65*35	0	0
060	7K501-22250	NUT	1			M22*1.5	0	0
070	7K501-22300	KIT SEAL	1			65*35	0	0

CYLINDER(DIPPER) [COMPONENT PARTS]



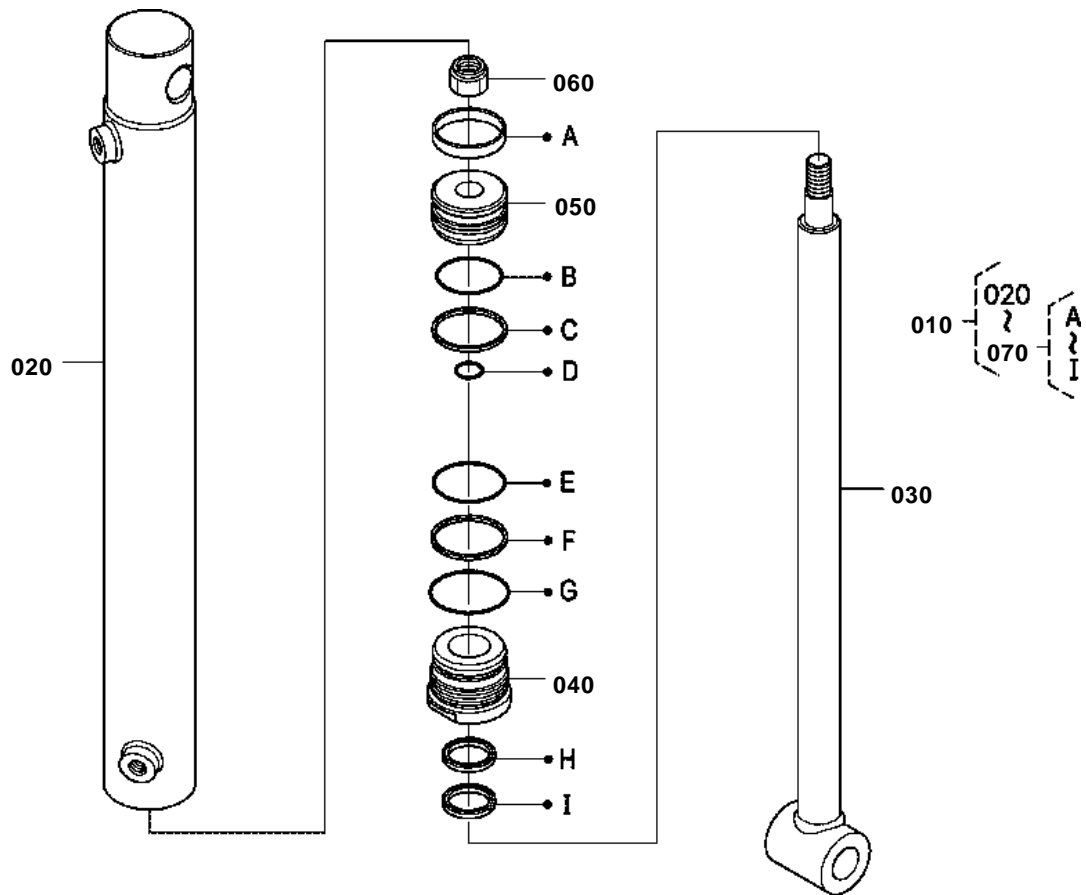


CYLINDER(DIPPER) [COMPONENT PARTS]

↔ Interchangeable; ≠ not interchangeable; ← new for old; → old for new

REF.No	Part No.	Description	Q'ty	S.No.	I/C	REMARKS	Weight (kgf)	Weight (lb)
010	7K501-32010	ASSY CYLINDER DIPPER	1				0	0
020	7K501-32030	COMP.TUBE DIPPER	1				0	0
030	7K501-32052	COMP.ROD DIPPER	1				0	0
040	7K501-32110	HEAD	1			65*30	0	0
050	7K501-22210	PISTON	1			65*30	0	0
060	7K501-22250	NUT	1			M22*1.5	0	0
070	7K501-32302	KIT SEAL	1			65*30	0	0

CYLINDER(BUCKET) [COMPONENT PARTS]



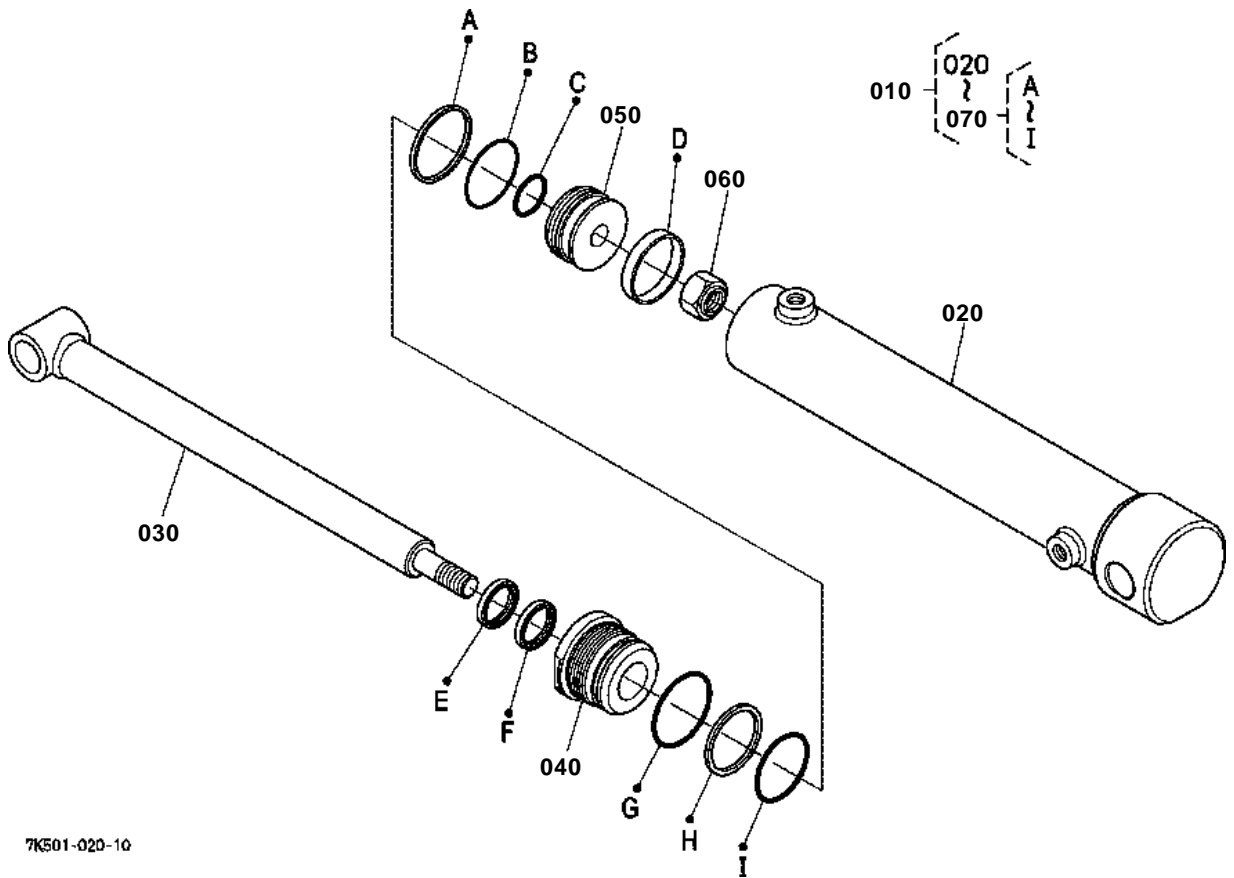


CYLINDER(BUCKET) [COMPONENT PARTS]

↔ Interchangeable; ≠ not interchangeable; ← new for old; → old for new

REF.No	Part No.	Description	Q'ty	S.No.	I/C	REMARKS	Weight (kgf)	Weight (lb)
010	7K501-43010	ASSY CYLINDER BUCKET	1				0	0
020	7K501-43030	COMP.TUBE BUCKET	1				0	0
030	7K501-43050	COMP.ROD BUCKET	1				0	0
040	7K501-43110	HEAD	1			55*30	0	0
050	7K501-43210	PISTON	1			55*30	0	0
060	7K501-13250	NUT	1			M18*1.5	0	0
070	7K501-43300	KIT SEAL	1			55*30	0	0

CYLINDER(STABILIZER) [COMPONENT PARTS]



7K501-020-10

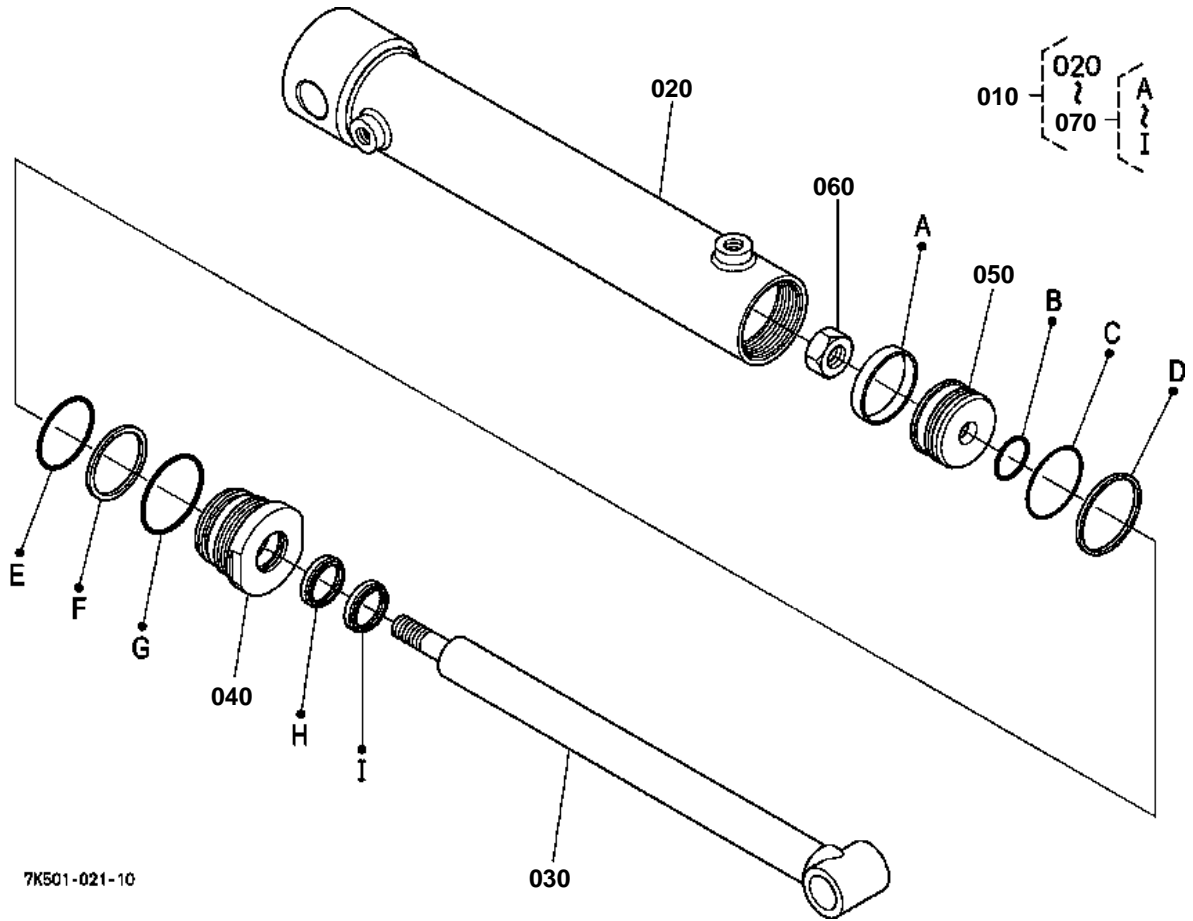


CYLINDER(STABILIZER) [COMPONENT PARTS]

↔ Interchangeable; ≠ not interchangeable; ← new for old; → old for new

REF.No	Part No.	Description	Q'ty	S.No.	I/C	REMARKS	Weight (kgf)	Weight (lb)
010	7K501-52010	ASSY CYLINDER.STABI.	1				0	0
020	7K501-52032	COMP.TUBE LH STABI.	1				0	0
030	7K501-52050	COMP ROD STABI.	1				0	0
040	7K501-52110	HEAD	1			60*30	0	0
050	7K501-52210	PISTON	1			60*30	0	0
060	7K501-13250	NUT	1			M18*1.5	0	0
070	7K501-52300	KIT SEAL	1			60*30	0	0

CYLINDER(STABILIZER) [COMPONENT PARTS]



7K501-021-10

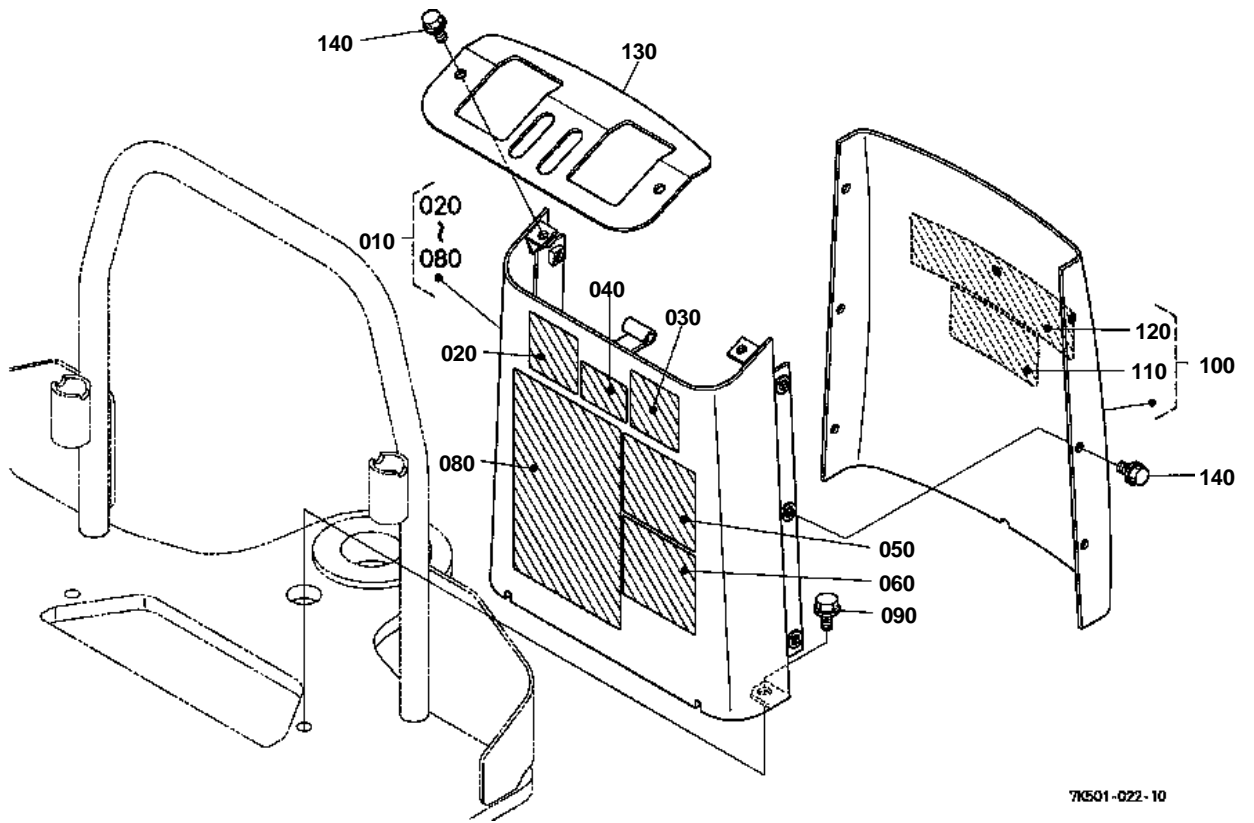


CYLINDER(STABILIZER) [COMPONENT PARTS]

↔ Interchangeable; ≠ not interchangeable; ← new for old; → old for new

REF.No	Part No.	Description	Q'ty	S.No.	I/C	REMARKS	Weight (kgf)	Weight (lb)
010	7K501-52020	ASSY CYLINDER.STABI.	1				0	0
020	7K501-52042	COMP.TUBE RH STABI.	1				0	0
030	7K501-52050	COMP ROD STABI.	1				0	0
040	7K501-52110	HEAD	1			60*30	0	0
050	7K501-52210	PISTON	1			60*30	0	0
060	7K501-13250	NUT	1			M18*1.5	0	0
070	7K501-52300	KIT SEAL	1			60*30	0	0

COVER



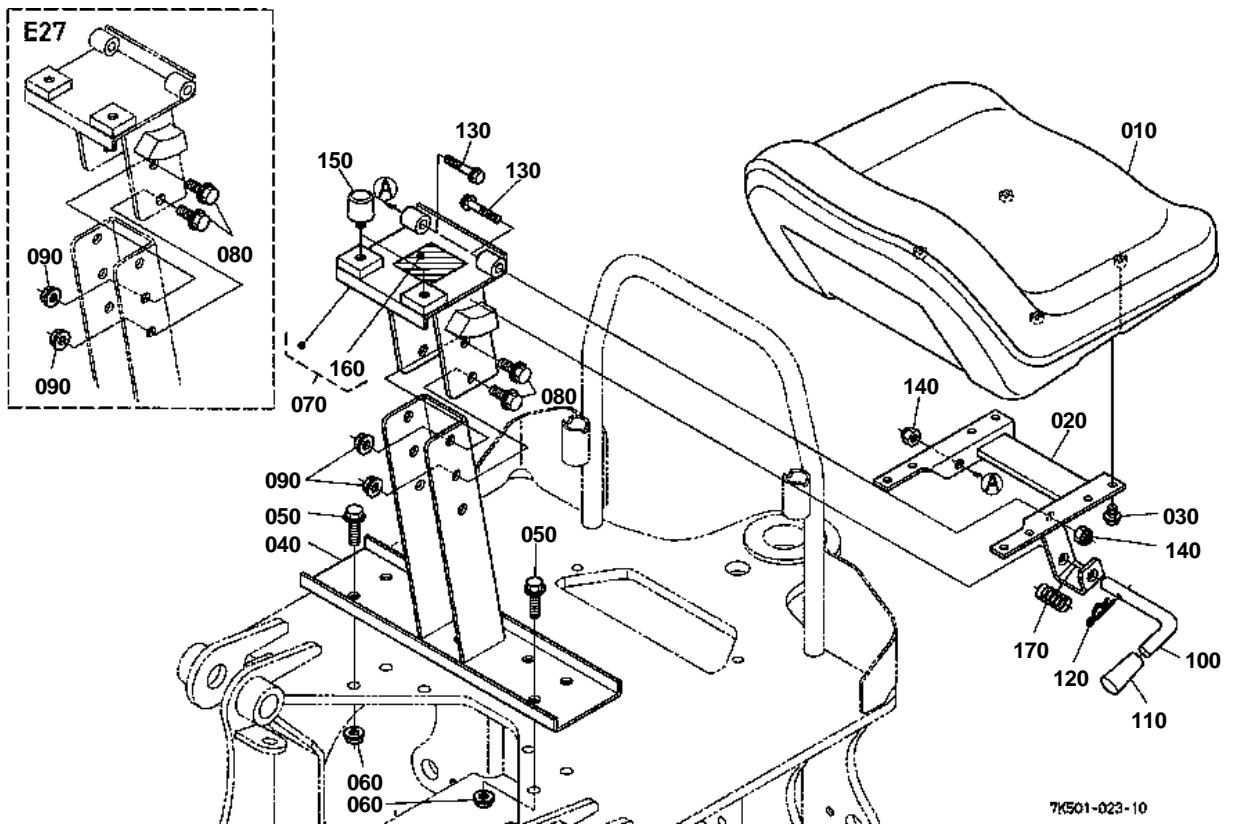
71501-022-10



COVER

↔ Interchangeable; ≠ not interchangeable; ← new for old; → old for new

REF.No	Part No.	Description	Q'ty	S.No.	I/C	REMARKS	Weight (kgf)	Weight (lb)
010	7K501-90130	COVER VALVE(LABEL)	1				0	0
020	75598-75110	LABEL CONTROL LEVER	1	<=10145			0.001	0.0022
020	75598-75112	LABEL CONTROL LEVER	1	>=10146	→		0.001	0.0022
030	75598-75120	LABEL CONTROL LEVER	1				0.001	0.0022
040	75598-75130	LABEL CONTROL LEVER	1	<=10145			0.001	0.0022
040	75598-75132	LABEL CONTROL LEVER	1	>=10146	→		0.001	0.0022
050	75597-75280	LABEL WARNING	1				0.003	0.0066
060	75590-75270	LABEL CAUTION	1				0.007	0.0154
070	99999-99999	BLANK	0				0	0
080	7K500-75150	LABEL INSTRUCTION	1				0.024	0.0528
090	01774-51016	BOLT FLANGE	2	<=10145			0.02	0.044
090	01774-61020	BOLT FLANGE	2	>=10146	→		0.022	0.0484
100	7K501-90140	COVER VALVE(LABEL)	1				0	0
110	75597-75172	LABEL DANGER	1				0.006	0.0132
120	7K501-75140	LABEL BH75	1				0	0
130	7K501-61032	PLATE COVER	1				0	0
140	30400-18870	BOLT FLANGE	8				0.01	0.022



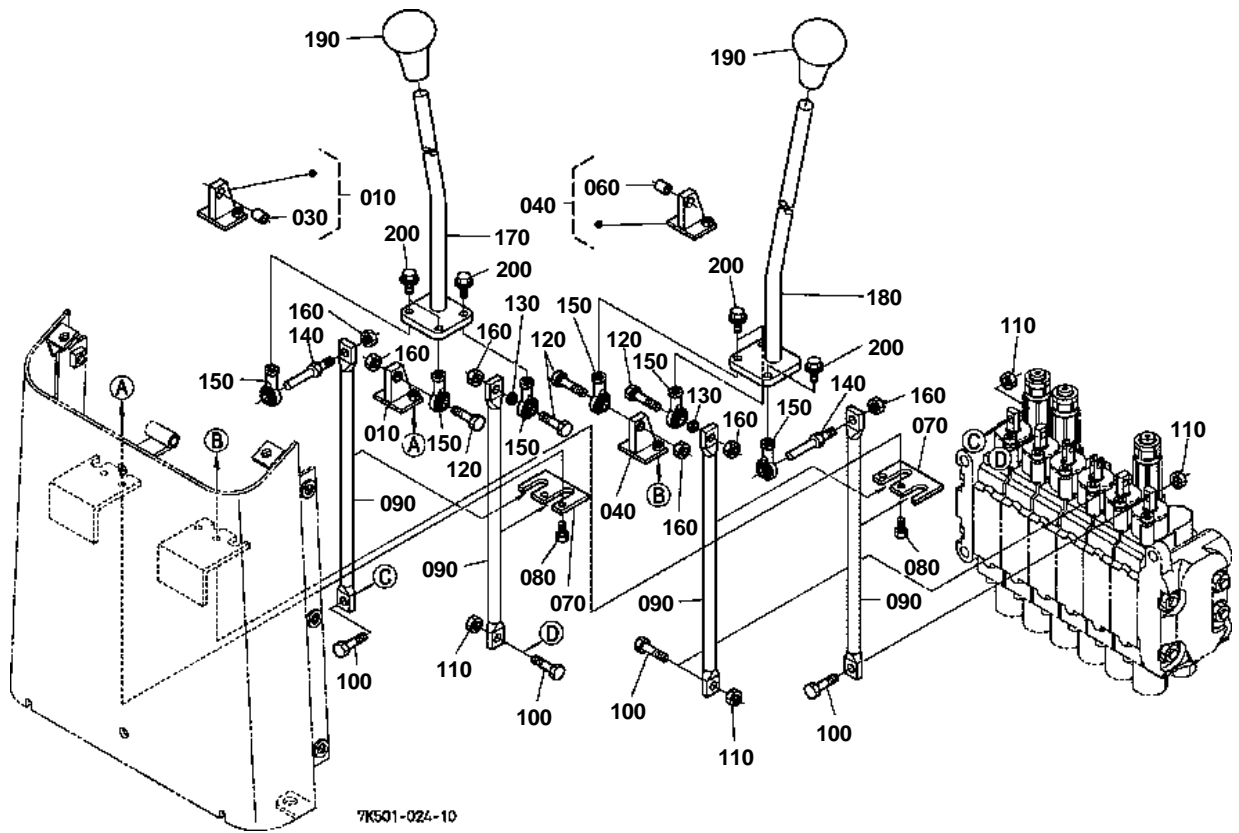
7K501-023-10

**SEAT**

↔ Interchangeable; ≠ not interchangeable; ← new for old; → old for new

REF.No	Part No.	Description	Q'ty	S.No.	I/C	REMARKS	Weight (kgf)	Weight (lb)
010	7K500-66010	SEAT	1				8	17.6
020	7K501-66024	COMP STAY	1				0	0
030	0Y171-50508	BOLT FLANGE	4				0.015	0.033
040	7K501-90150	COMP SUPPORT(SEAT)	1				0	0
050	01774-61235	BOLT FLANGE	6				0	0
060	02771-50120	NUT FLANGE	6				0.018	0.0396
070	7K501-66403	SUPPORT SEAT(LABEL)	1				0	0
080	01774-61225	BOLT FLANGE	4				0.037	0.0814
090	02771-50120	NUT FLANGE	4				0.018	0.0396
100	7K501-66463	PIN LOCK	1				0	0
110	06914-00140	GRIP LEVER	1				0.014	0.0308
120	05525-51400	PIN SNAP	1				0.005	0.011
130	01774-51045	BOLT FLANGE	2				0.035	0.077
140	02572-50100	NUT SELF-LOCKING	2				0.008	0.0176
150	33251-85180	RUBBER SEAT BLOCK	2				0.038	0.0836
160	7K500-75310	LABEL SEAT WARNING	1				0.004	0.0088
170	K5763-44560	SPRING PIN FRONT	1				0.01	0.022

CONTROL LEVER 1



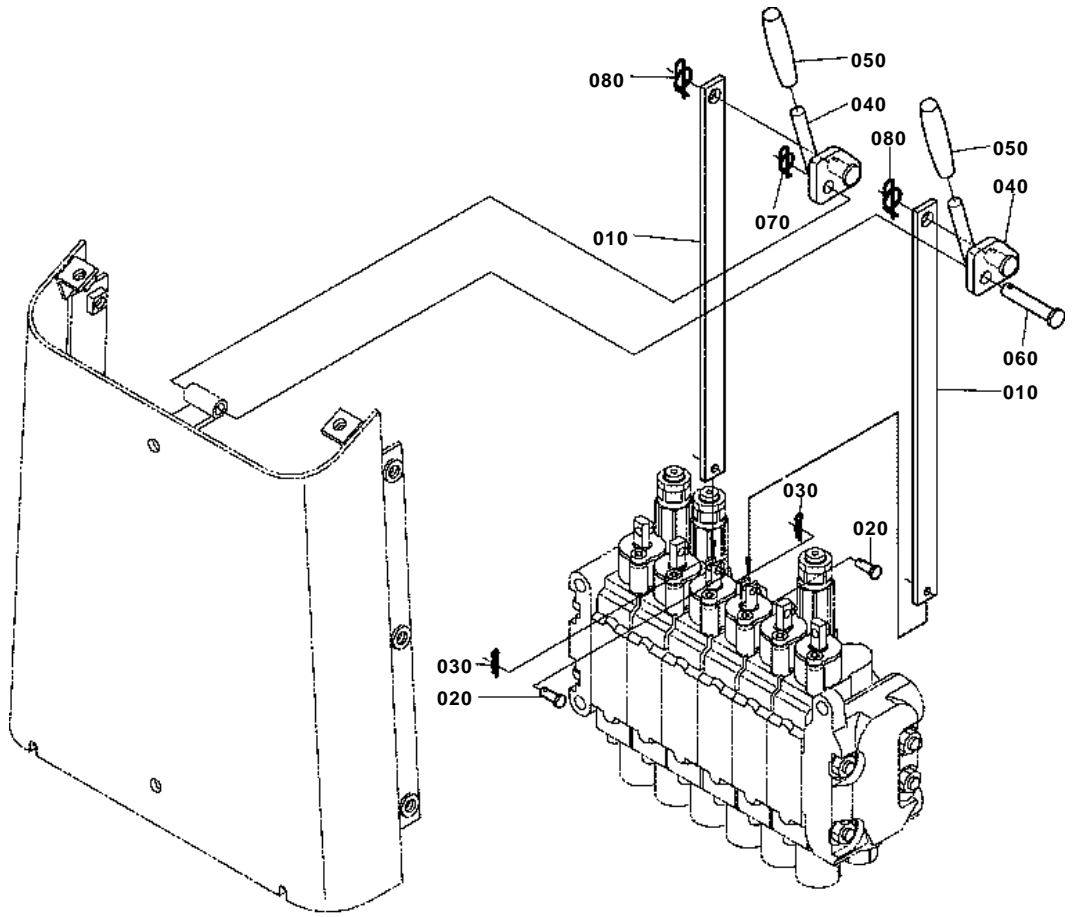


CONTROL LEVER 1

↔ Interchangeable; ≠ not interchangeable; ← new for old; → old for new

REF.No	Part No.	Description	Q'ty	S.No.	I/C	REMARKS	Weight (kgf)	Weight (lb)
010	7K501-71110	ASSY BRACKET LEVER L	1				0.045	0.099
020	99999-99999	BLANK	0				0	0
030	08511-00608	BUSH	1				0.003	0.0066
040	7K501-71120	ASSY BRACKET LEVER R	1				0.045	0.099
050	99999-99999	BLANK	0				0	0
060	08511-00608	BUSH	1				0.003	0.0066
070	7K501-71170	PLATE GUIDE	2				0	0
080	01053-50520	BOLT	4				0.004	0.0088
090	7K501-71160	ROD(LINK)	4				0	0
100	01053-50620	BOLT	4				0.006	0.0132
110	02014-50060	NUT	4				0.002	0.0044
120	7K500-71510	BOLT FULCRUM	4				0.01	0.022
130	7K500-71520	SPACER	2				0.001	0.0022
140	7K500-71530	BOLT FULCRUM	2				0.014	0.0308
150	36730-81960	END ROD	6				0.025	0.055
160	02014-50060	NUT	6				0.002	0.0044
170	7K501-72110	LEVER CONTROL L	1				0	0
180	7K501-72130	LEVER CONTROL R	1				0	0
190	31355-82520	GRIP LEVER	2				0.05	0.11
200	31351-18790	BOLT FLANGE	6				0.007	0.0154

CONTROL LEVER 2



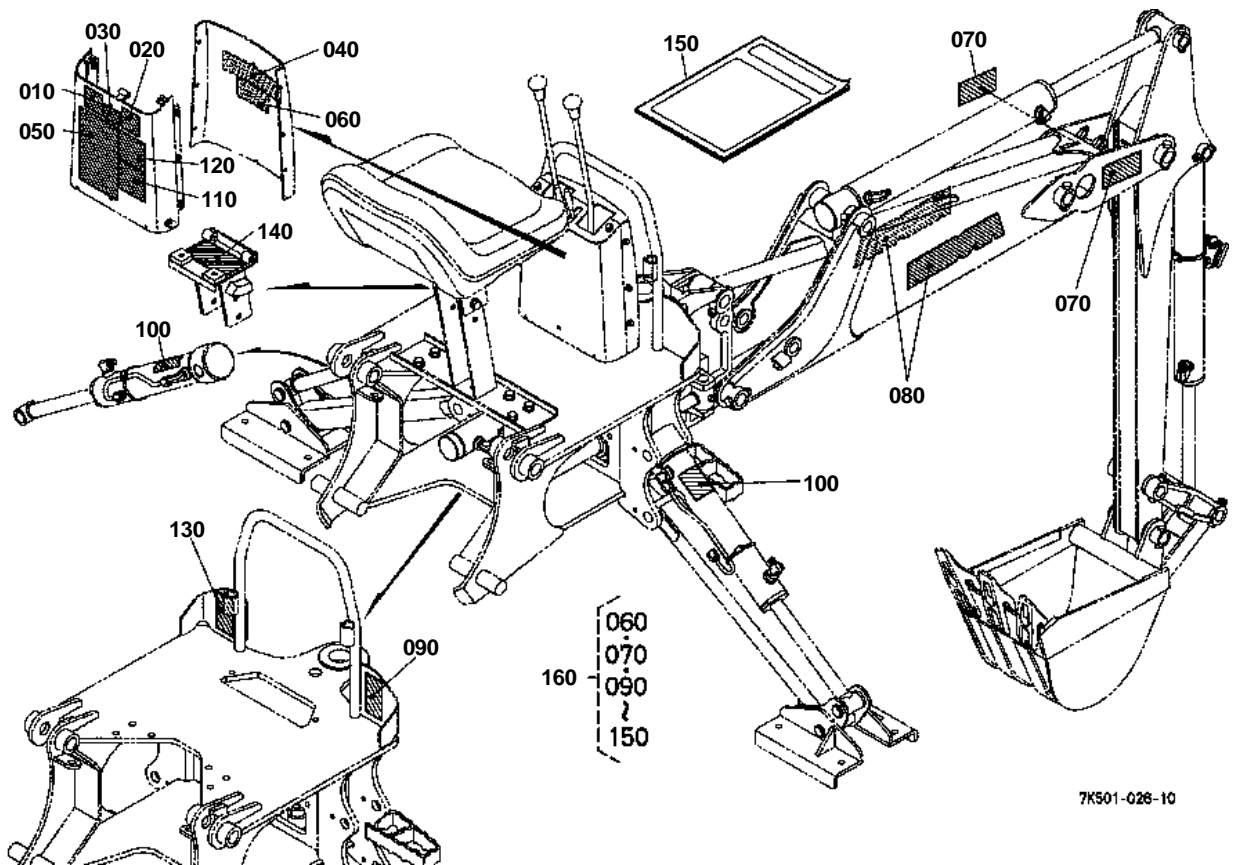
7K501-025-10



CONTROL LEVER 2

↔ Interchangeable; ≠ not interchangeable; ← new for old; → old for new

REF.No	Part No.	Description	Q'ty	S.No.	I/C	REMARKS	Weight (kgf)	Weight (lb)
010	7K501-72260	PLATE LEVER STABI.	2				0	0
020	RP421-65190	PIN JOINT	2				0.003	0.0066
030	05525-60500	PIN SNAP	2				0.001	0.0022
040	7K501-72210	LEVER CONTROL	2				0	0
050	31391-18560	GRIP LEVER	2				0.01	0.022
060	05122-50840	PIN JOINT	1				0.017	0.0374
070	K1211-91120	RUE RING COTTER	1				0.001	0.0022
080	K1211-91130	RUE RING COTTER	2				0.01	0.022



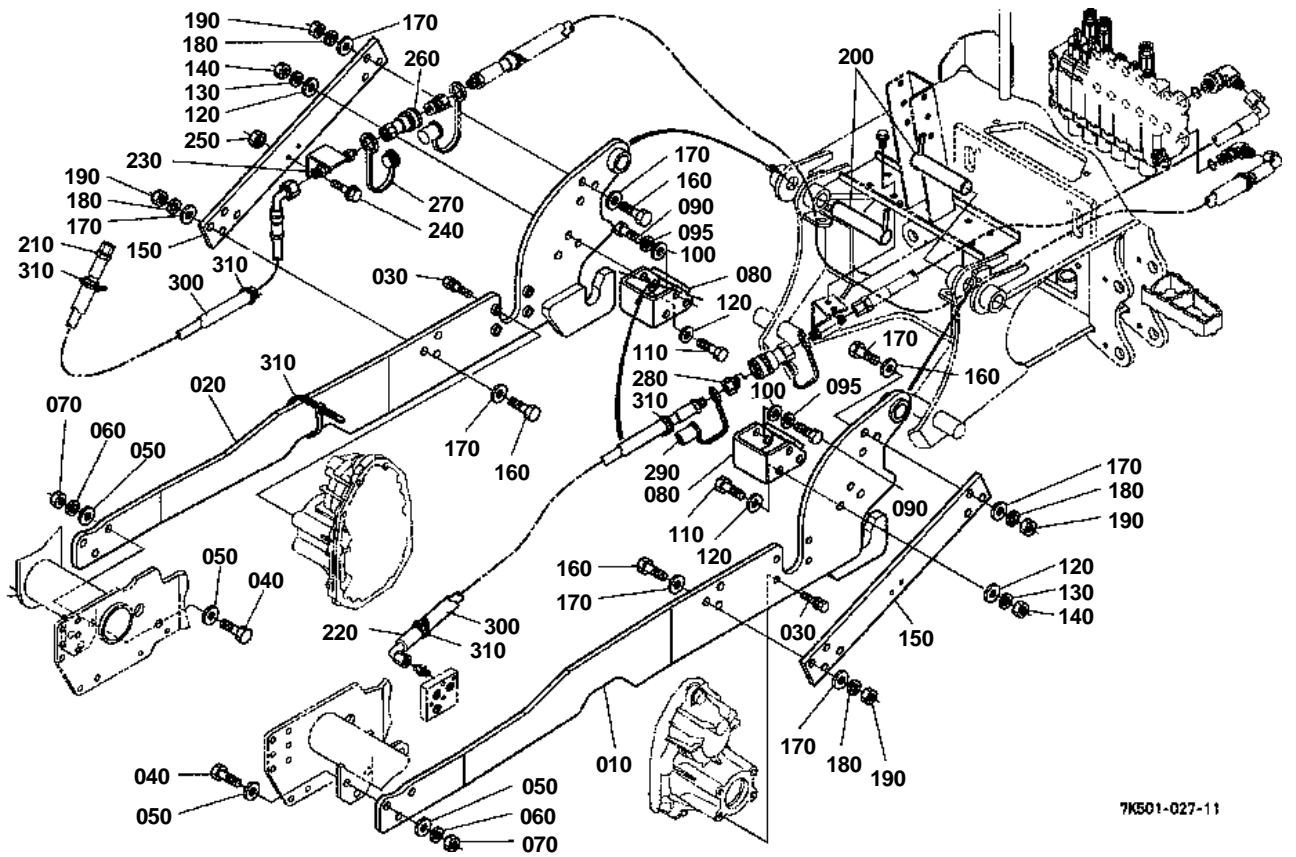


LABEL

↔ Interchangeable; ≠ not interchangeable; ← new for old; → old for new

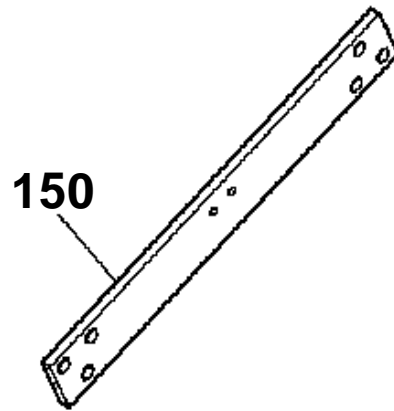
REF.No	Part No.	Description	Q'ty	S.No.	I/C	REMARKS	Weight (kgf)	Weight (lb)
010	75598-75110	LABEL CONTROL LEVER	1				0.001	0.0022
020	75598-75120	LABEL CONTROL LEVER	1	<=10013			0.001	0.0022
020	75598-75122	LABEL CONTROL LEVER	1	>=10014	-		0.001	0.0022
030	75598-75130	LABEL CONTROL LEVER	1				0.001	0.0022
040	7K501-75140	LABEL BH75	1				0	0
050	7K500-75150	LABEL INSTRUCTION	1				0.024	0.0528
060	75597-75172	LABEL DANGER	1	<=10015		ENGLISH	0.006	0.0132
060	75597-75173	LABEL DANGER	1	>=10016	-	ENGLISH	0.006	0.0132
060	75597-95170	LABEL DANGER(F)	1	<=10015		FRENCH	0.001	0.0022
060	75597-95172	LABEL DANGER(F)	1	>=10016	-	FRENCH	0.001	0.0022
070	75595-75170	LABEL WARNING	2			ENGLISH	0.004	0.0088
070	75595-95170	LABEL2 WARNING CF	2			FRENCH	0.007	0.0154
080	TD060-80930	LABEL KUBOTA	2				0.007	0.0154
090	75595-75240	LABEL WARNING	1			ENGLISH	0.007	0.0154
090	75595-95240	LABEL2 WARNING CF	1			FRENCH	0	0
100	75590-75260	LABEL SWING	2			ENGLISH	0.003	0.0066
100	75590-95260	LABEL SWING	2			FRENCH	0.001	0.0022
110	75590-75270	LABEL CAUTION	1			ENGLISH	0.007	0.0154
110	75595-95270	LABEL2 CAUTION CF	1			FRENCH	0.001	0.0022
120	75597-75280	LABEL WARNING	1			ENGLISH	0.003	0.0066
120	75597-95280	LABEL WARNING(F)	1			FRENCH	0.2	0.44
130	7K501-75290	LABEL WARNING	1			ENGLISH	0	0
130	7K501-95290	LABEL2 WARNING CF	1			FRENCH	0	0
140	7K500-75310	LABEL SEAT WARNING	1			ENGLISH	0.004	0.0088
140	7K500-95310	LABEL SEAT WARNING	1			FRENCH	0.01	0.022
150	7K501-79910	OPERATOR'S MANUAL	1			ENGLISH	0	0
150	7K501-95910	OPERATOR'S MANUAL(FR	1			FRENCH	0	0
160	7K501-95100	KIT FRENCH BH75	1	<=10015		FRENCH	0	0
160	7K501-95102	KIT FRENCH BH90	1	>=10016	-	FRENCH	0	0

MOUNT KIT(D21)



7K501-027-11

OLD PART



7K501-034-10

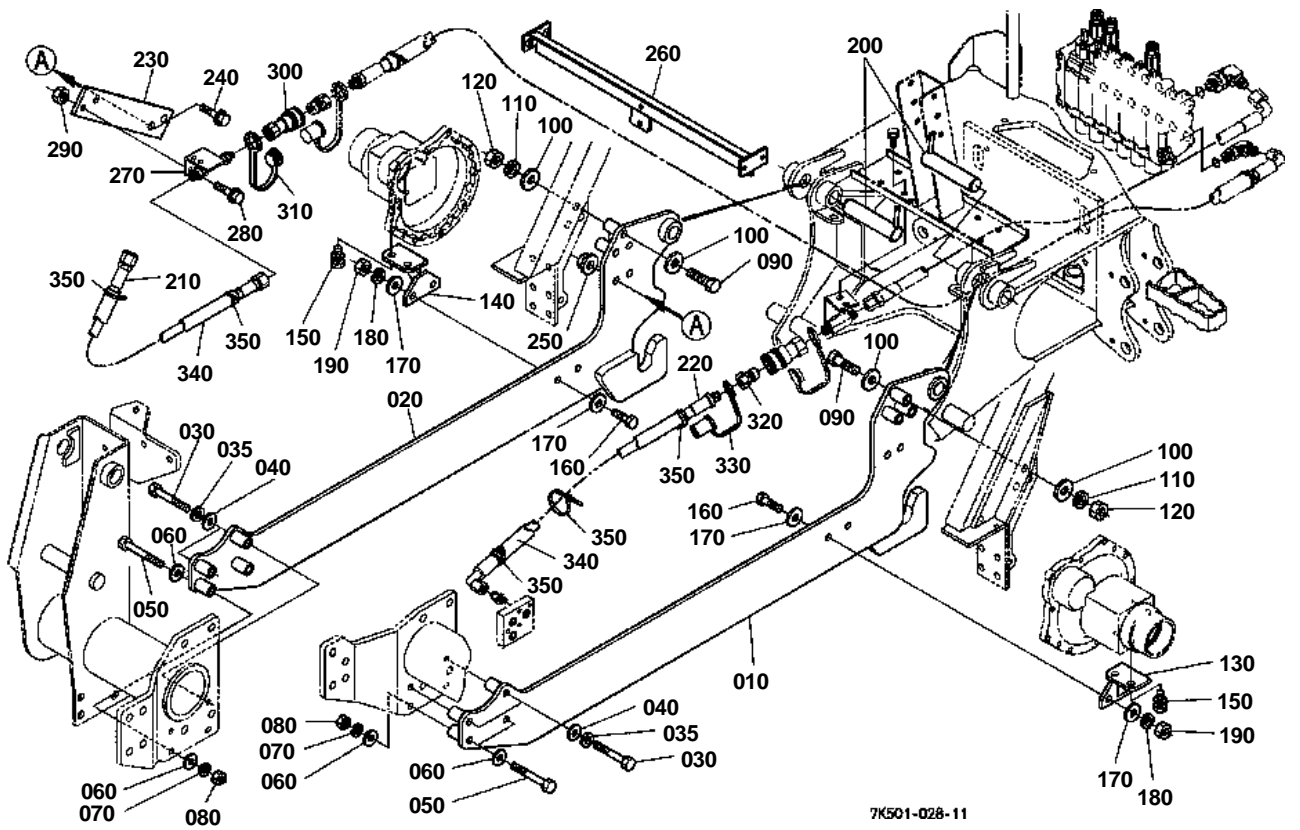


MOUNT KIT(D21)
[for B2630,B3030]

↔ Interchangeable; ≠ not interchangeable; ← new for old; → old for new

REF.No	Part No.	Description	Q'ty	S.No.	I/C	REMARKS	Weight (kgf)	Weight (lb)
010	7K501-16700	SUB FRAME L	1				0	0
020	7K501-16800	SUB FRAME R	1				0	0
030	01123-51245	BOLT	8				0.048	0.1056
040	01073-51650	BOLT	6				0.105	0.231
050	75599-32517	WASHER PLAIN	12				0.016	0.0352
060	04512-60160	WASHER SPRING	6				0.01	0.022
070	02076-50160	NUT	6				0.03	0.066
080	7K501-16762	BRACKET FRAME	2				0	0
090	01073-51650	BOLT	6				0.105	0.231
095	04512-60160	WASHER SPRING	6				0.01	0.022
100	75599-32517	WASHER PLAIN	6				0.016	0.0352
110	01073-51655	BOLT	6				0.12	0.264
120	75599-32517	WASHER PLAIN	12				0.016	0.0352
130	04512-60160	WASHER SPRING	6				0.01	0.022
140	02076-50160	NUT	6				0.03	0.066
150	7K501-16740	PLATE CONNECTING	2				0	0
150	7K501-16743	PLATE CONNECTING	2			-	0	0
160	01073-51650	BOLT	12				0.105	0.231
170	75599-32517	WASHER PLAIN	24				0.016	0.0352
180	04512-60160	WASHER SPRING	12				0.01	0.022
190	02076-50160	NUT	12				0.03	0.066
200	7K501-16570	PIN MOUNT	2				0	0
210	7K501-64813	HOSE INLET	1				0	0
220	7K501-64820	HOSE OUTLET	1				0	0
230	7K501-64850	JOINT COUPLER	1				0	0
240	01754-50820	BOLT FLANGE	2				0.015	0.033
250	02114-50080	NUT	2				0.005	0.011
260	75540-66320	COUPLER	1				0.23	0.506
270	7J246-66310	PLUG DUST	1				0.002	0.0044
280	75540-66220	NIPPLE	1				0.06	0.132
290	7J246-66430	CAP DUST	1				0.002	0.0044
300	7J040-66570	SLEEVE RETURN	2				0.11	0.242
310	75590-64650	BAND CODE	5				0.01	0.022

MOUNT KIT(E27)



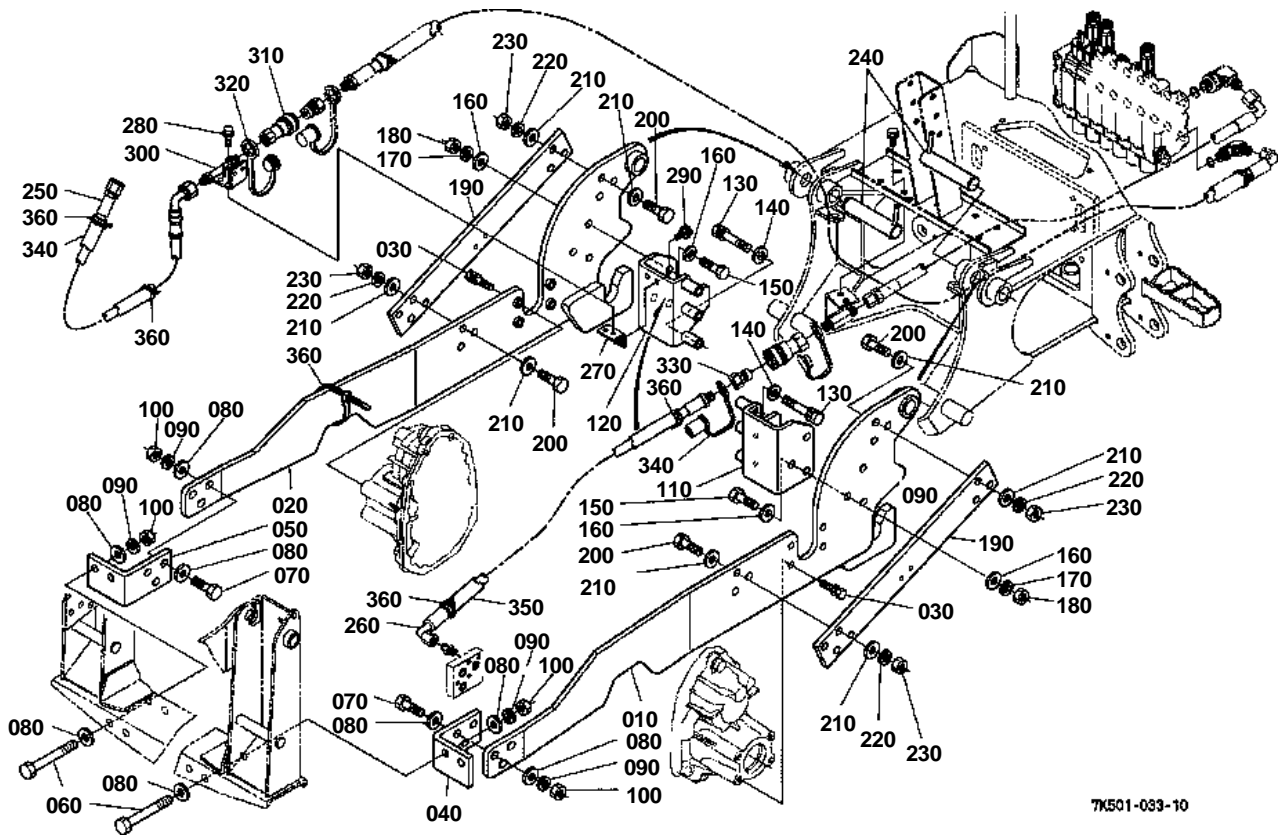


MOUNT KIT(E27)
[for L2800,L3400]

↔ Interchangeable; ≠ not interchangeable; ← new for old; → old for new

REF.No	Part No.	Description	Q'ty	S.No.	I/C	REMARKS	Weight (kgf)	Weight (lb)
010	7K501-16100	SUB FRAME L	1				0	0
020	7K501-16300	SUB FRAME R	1				0	0
030	01173-51275	BOLT	4				0.071	0.1562
035	04512-60120	WASHER SPRING	4				0.005	0.011
040	75599-32515	WASHER PLAIN	4				0.01	0.022
050	01173-51290	BOLT	4				0.089	0.1958
060	75599-32515	WASHER PLAIN	8				0.01	0.022
070	04512-60120	WASHER SPRING	4				0.005	0.011
080	02176-50120	NUT	4				0.01	0.022
090	01073-51690	BOLT	6				0.17	0.374
100	75599-32517	WASHER PLAIN	12				0.016	0.0352
110	04512-60160	WASHER SPRING	6				0.01	0.022
120	02076-50160	NUT	6				0.03	0.066
130	7K501-16510	BRACKET(FRAME LH)	1				0	0
140	7K501-16520	BRACKET(FRAME RH)	1				0	0
150	01133-51430	BOLT	4				0.001	0.0022
160	01173-51445	BOLT	4				0.065	0.143
170	75599-32516	WASHER PLAIN	8				0.011	0.0242
180	04512-60140	WASHER SPRING	4				0.008	0.0176
190	02176-50140	NUT	4				0.014	0.0308
200	7K501-16570	PIN MOUNT	2				0	0
210	7K501-64860	HOSE(INLET)	1				0	0
220	7K501-64870	HOSE(OUTLET)	1				0	0
230	7K501-16210	SUPPORT(JOINT)	1				0	0
240	01774-51230	BOLT FLANGE	2				0.043	0.0946
250	02771-50120	NUT FLANGE	2				0.018	0.0396
260	7K501-16860	BRACKET(FENDER)	1				0	0
270	7K501-64830	JOINT COUPLER	1				0	0
280	01754-50820	BOLT FLANGE	2				0.015	0.033
290	02114-50080	NUT	2				0.005	0.011
300	75540-66320	COUPLER	1				0.23	0.506
310	7J246-66310	PLUG DUST	1				0.002	0.0044
320	75540-66220	NIPPLE	1				0.06	0.132
330	7J246-66430	CAP DUST	1				0.002	0.0044
340	7J040-66570	SLEEVE RETURN	2				0.11	0.242
350	75590-64650	BAND CODE	5				0.01	0.022

MOUNT KIT(D20)



7K501-033-10



MOUNT KIT(D20)
[for B7800]

↔ Interchangeable; ≠ not interchangeable; ← new for old; → old for new

REF.No	Part No.	Description	Q'ty	S.No.	I/C	REMARKS	Weight (kgf)	Weight (lb)
010	7K501-82100	SUB FRAME L	1				0	0
020	7K501-82200	SUB FRAME R	1				0	0
030	01123-51245	BOLT	8				0.048	0.1056
040	7K501-82230	BRACKET FRONT LH	1				0	0
050	7K501-82240	BRACKET FRONT RH	1				0	0
060	3A011-21772	BOLT	4				0.28	0.616
070	01073-51655	BOLT	6				0.12	0.264
080	75599-32517	WASHER PLAIN	20				0.016	0.0352
090	04512-60160	WASHER SPRING	10				0.01	0.022
100	02076-50160	NUT	10				0.03	0.066
110	7K501-82250	BRACKET REAR LH	1				0	0
120	7K501-82260	BRACKET REAR RH	1				0	0
130	01123-51280	BOLT	6				0.076	0.1672
140	75599-32515	WASHER PLAIN	6				0.01	0.022
150	01073-51650	BOLT	6				0.105	0.231
160	75599-32517	WASHER PLAIN	12				0.016	0.0352
170	04512-60160	WASHER SPRING	6				0.01	0.022
180	02076-50160	NUT	6				0.03	0.066
190	7K501-16743	PLATE CONNECTING	2				0	0
200	01073-51650	BOLT	12				0.105	0.231
210	75599-32517	WASHER PLAIN	24				0.016	0.0352
220	04512-60160	WASHER SPRING	12				0.01	0.022
230	02076-50160	NUT	12				0.03	0.066
240	7K501-16570	PIN MOUNT	2				0	0
250	7K501-64813	HOSE INLET	1				0	0
260	7K501-64820	HOSE OUTLET	1				0	0
270	7K501-82270	BRACKET CONNECTOR	1				0	0
280	01754-50820	BOLT FLANGE	2				0.015	0.033
290	01754-50825	BOLT FLANGE	2				0.01	0.022
300	7K501-64830	JOINT COUPLER	1				0	0
310	75540-66320	COUPLER	1				0.23	0.506
320	7J246-66310	PLUG DUST	1				0.002	0.0044
330	75540-66220	NIPPLE	1				0.06	0.132
340	7J246-66430	CAP DUST	1				0.002	0.0044
350	7J040-66570	SLEEVE RETURN	2				0.11	0.242
360	75590-64650	BAND CODE	5				0.01	0.022