

Instructions for Parts Books

The heading at the top of the page will be the same for the picture of the parts as it is for the page with the part numbers.

Definition of column headings on part number pages:

REF.No → The number referring to the part on the picture page of the parts book.

Part No. → The number assigned to this part at the time of printing the parts book.

Description → Description of part.

Q'ty → Quantity of part used on that page.

S.No. → Serial number range of the equipment that this part will fit.

>= Your serial number should be greater than or equal to the number shown.

<= Your serial number should be lesser than or equal to the serial number shown.

I/C → Interchangeability of part shown.

↔ The part shown will work for the older and later serial number.

The part shown is not interchangeable with the other serial number.

← new for old

→ old for new

Remarks → Notes about this particular part. Sometimes this may say except [FR] or [CA]

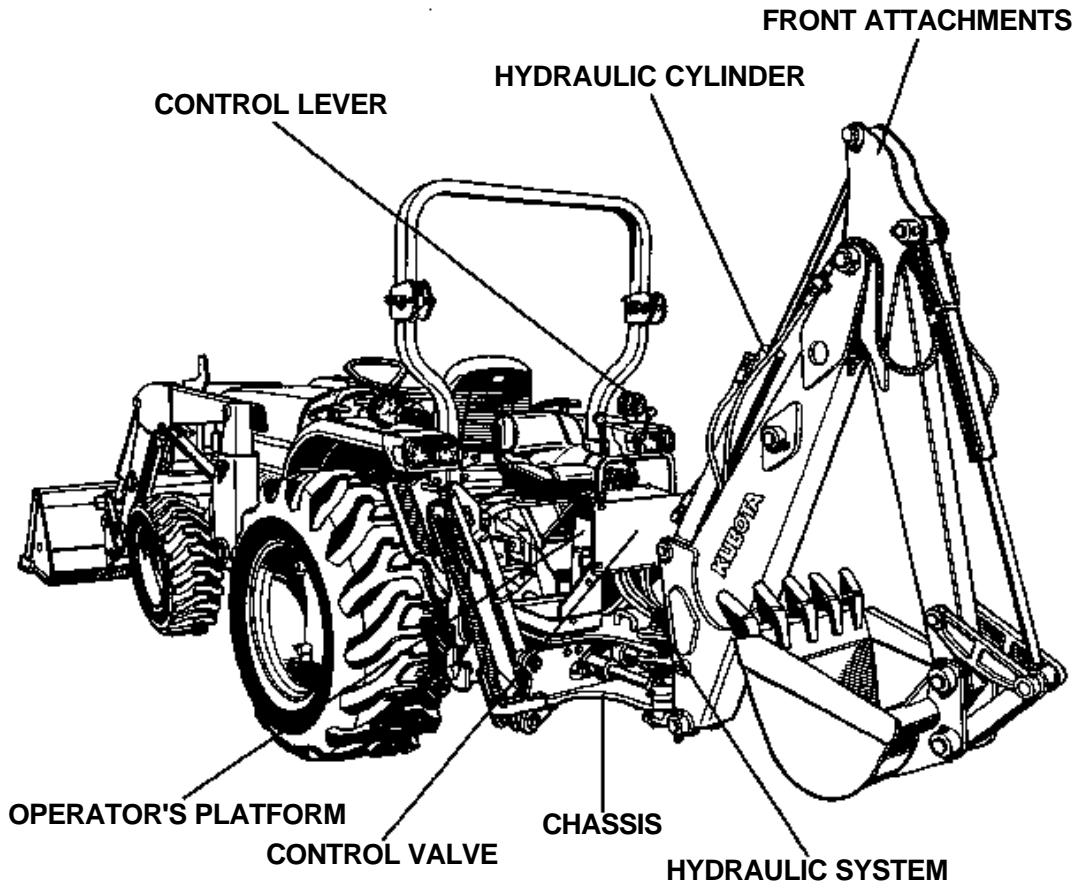
Note about Country Codes:

The parts books we use in the United States of America may also contain information about a part that would be different in another country. It is important that you are aware of the country codes in some instances.

Symbol	Country
A	United States of America
CA	Canada
FR	France
GR	Greece
PO	Portugal
AU	Australia

If the remarks column says for example EXCEPT [FR] this part works in all countries except France. That means it will work here in the USA.

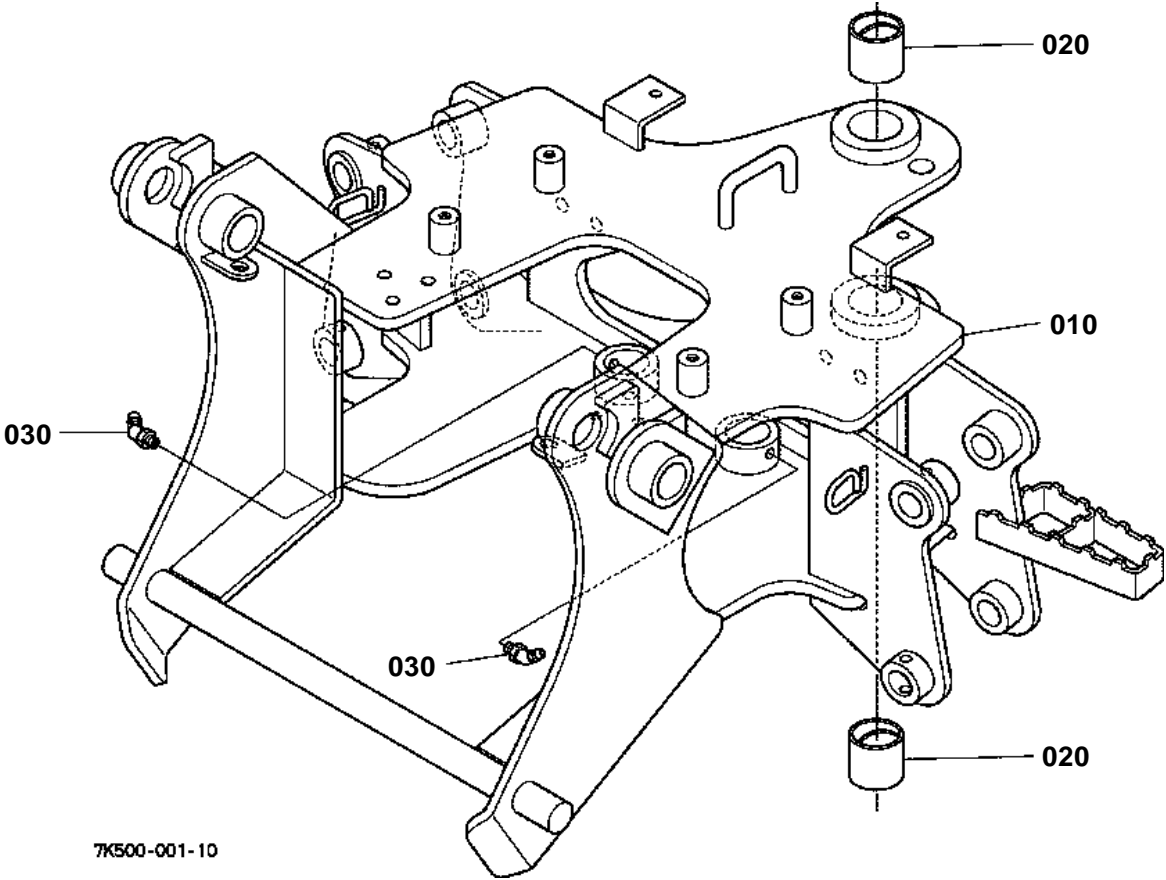
ALL PRODUCT INDEX
BH90



LABELS
ACCESSORIES AND SERVICE PARTS

Item	Part No.	Description	Book	
CHASSIS	01B001	MAIN FRAME	100A0206	
	01B005	SUB FRAME	100A0206	
	01B010	SWING FRAME	100A0206	
FRONT ATTACHMENTS	01B050	SWING CYLINDER	100A0206	
	01B100	BOOM	100A0206	
	01B110	DIPPERSTICK	100A0206	
	01B120	BUCKET LINK	100A0206	
	01B15001	BUCKET	100A0206	
	01B15002	BUCKET	100A0206	
	01B160	STABILIZER ARM	100A0206	
	01B200	CONTROL VALVE	100A0206	
CONTROL VALVE	01B210	CONTROL VALVE [COMPONENT PARTS]	100A0206	
HYDRAULIC SYSTEM	01B220	HYDRAULIC HOSE(INTAKE)	100A0206	
	01B225	HYDRAULIC HOSE(INLET/OUTLET)	100A0206	
	01B230	HYDRAULIC HOSE(SWING)	100A0206	
	01B240	HYDRAULIC HOSE(BOOM/DIPPER)	100A0206	
	01B250	HYDRAULIC HOSE(BUCKET)	100A0206	
	01B260	HYDRAULIC HOSE(STABILIZER)	100A0206	
	HYDRAULIC CYLINDER	01B310	CYLINDER(SWING) [COMPONENT PARTS]	100A0206
		01B320	CYLINDER(BOOM) [COMPONENT PARTS]	100A0206
		01B330	CYLINDER(DIPPER) [COMPONENT PARTS]	100A0206
		01B340	CYLINDER(BUCKET) [COMPONENT PARTS]	100A0206
01B350		CYLINDER(STABILIZER) [COMPONENT PARTS]	100A0206	
OPERATOR'S PLATFORM	01B400	STEP	100A0206	
	01B410	SEAT	100A0206	
	01B510	CONTROL LEVER 1	100A0206	
CONTROL LEVER	01B520	CONTROL LEVER 2	100A0206	
LABELS	01B710	LABEL	100A0206	
ACCESSORIES AND SERVICE PARTS	01B810	MOUNT KIT(AB)	100A0206	
	01B820	MOUNT KIT(C-F)	100A0206	

MAIN FRAME



7K500-001-10

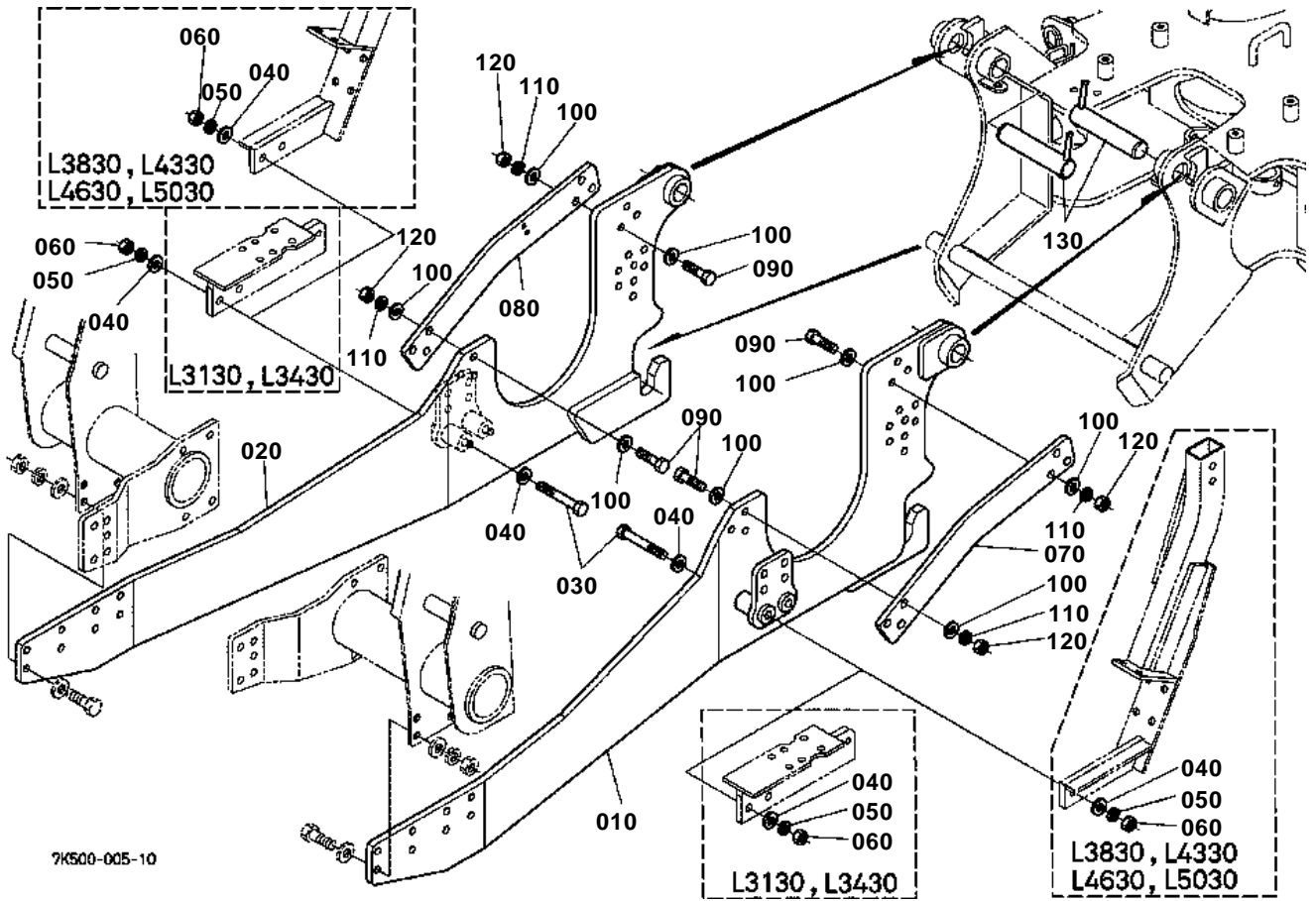


MAIN FRAME

↔ Interchangeable; ≠ not interchangeable; ← new for old; → old for new

REF.No	Part No.	Description	Q'ty	S.No.	I/C	REMARKS	Weight (kgf)	Weight (lb)
010	7K500-11010	COMP.FRAME MAIN	1				185	407
020	7K500-12250	BUSH	2			48*51	0.29	0.638
030	75599-81541	FITTING GREASE	2			1/8-27NPT	0.01	0.022

SUB FRAME



7K500-005-10

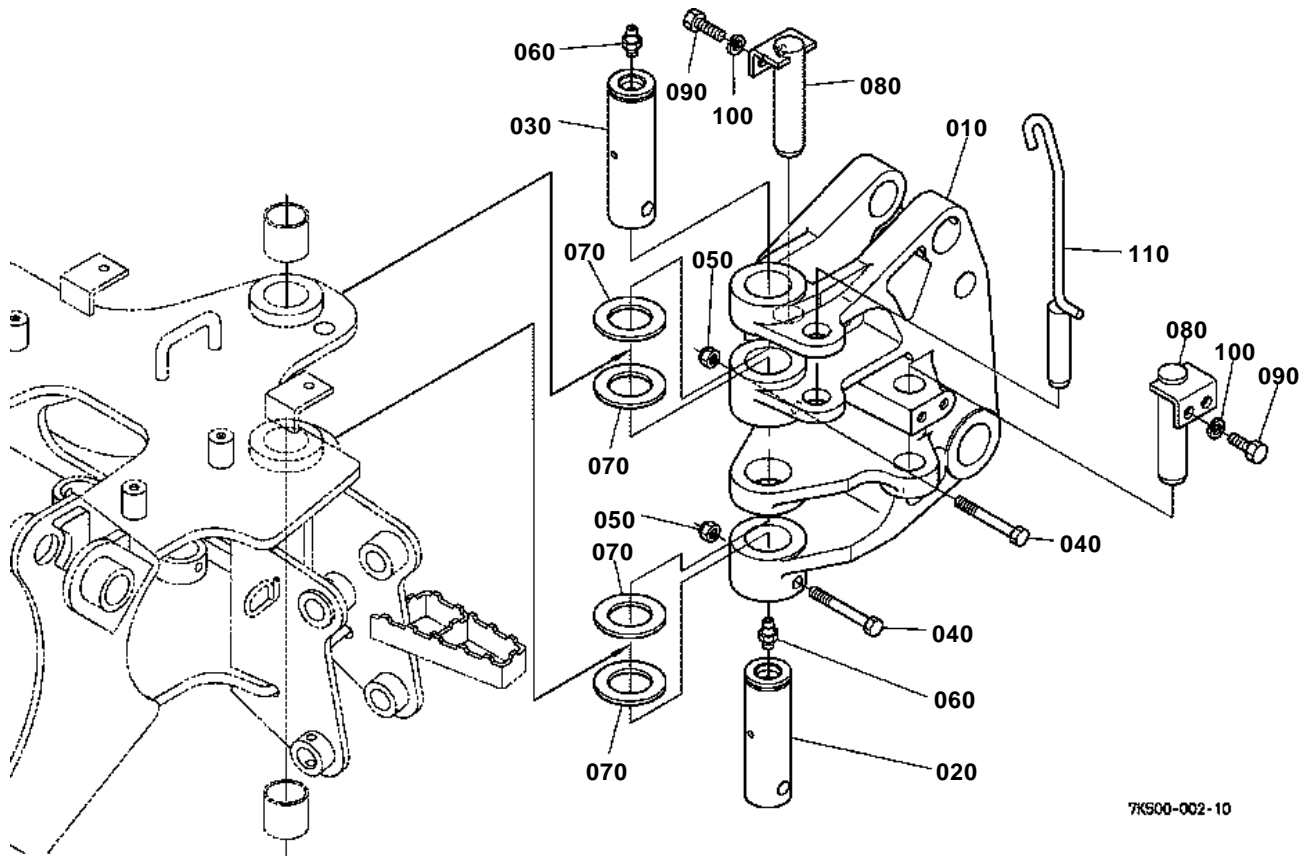


SUB FRAME

↔ Interchangeable; ≠ not interchangeable; ← new for old; → old for new

REF.No	Part No.	Description	Q'ty	S.No.	I/C	REMARKS	Weight (kgf)	Weight (lb)
010	7K500-16100	FRAME LH SUB	1				0	0
020	7K500-16300	FRAME RH SUB	1				102	224.4
030	01073-51607	BOLT	4				0	0
040	75599-32517	WASHER PLAIN	8				0.016	0.0352
050	04512-60160	WASHER SPRING	4				0.01	0.022
060	02076-50160	NUT	4				0.03	0.066
070	7K500-16550	PLATE CONNECTING LH	1				0	0
080	7K500-16560	PLATE CONNECTING RH	1				0	0
090	01073-51655	BOLT	12				0.12	0.264
100	75599-32517	WASHER PLAIN	24				0.016	0.0352
110	04512-60160	WASHER SPRING	12				0.01	0.022
120	02076-50160	NUT	12				0.03	0.066
130	7K500-16570	PIN MOUNT	2				1.674	3.6828

SWING FRAME



7K500-002-10

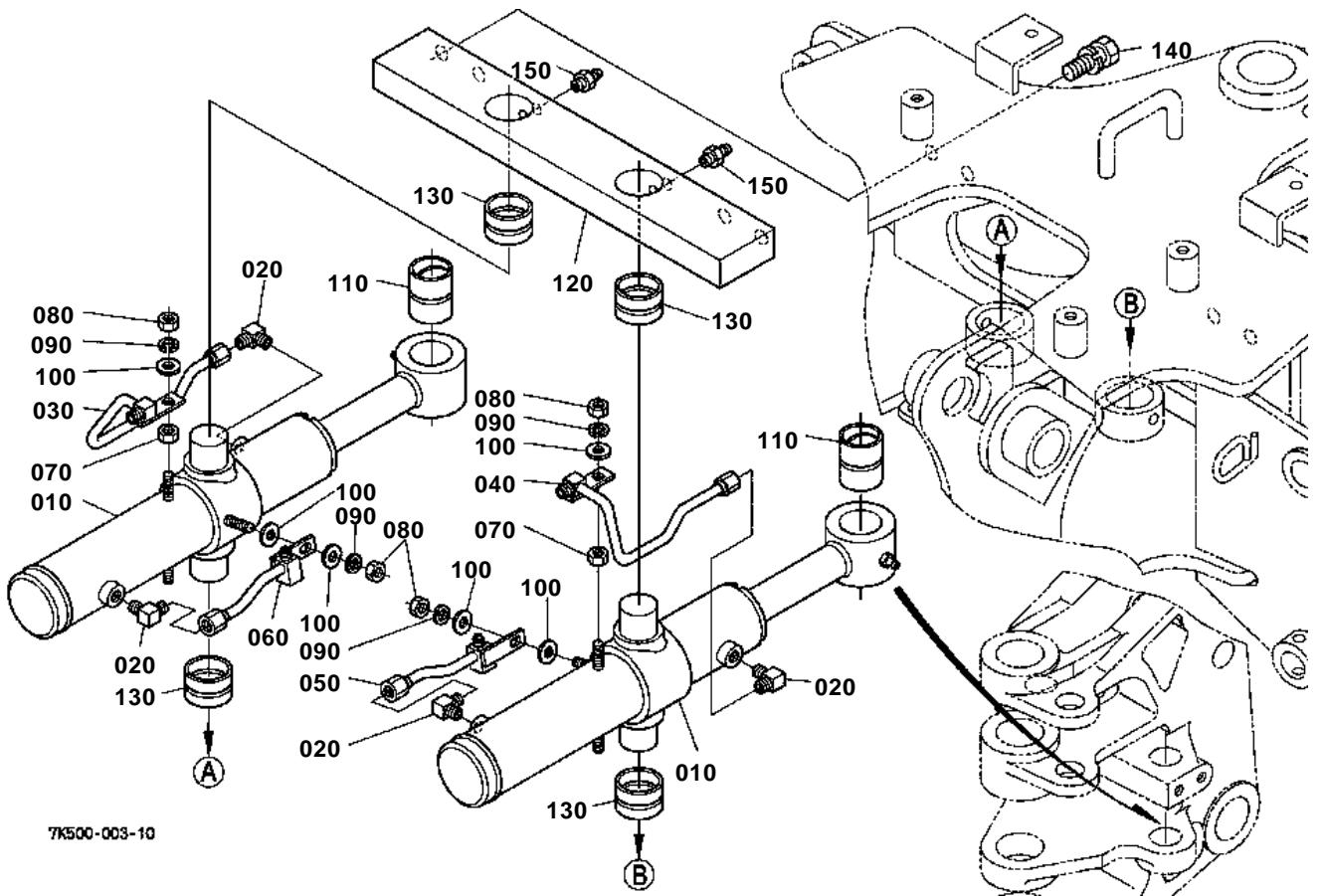


SWING FRAME

↔ Interchangeable; ≠ not interchangeable; ← new for old; → old for new

REF.No	Part No.	Description	Q'ty	S.No.	I/C	REMARKS	Weight (kgf)	Weight (lb)
010	75595-12112	FRAME SWING	1				37	81.4
020	75595-12216	PIN 1	1			1.875*5.22	2	4.4
030	75595-12224	PIN 2	1			1.875*5.45	0	0
040	01073-51400	BOLT	2				0.13	0.286
050	02574-50140	NUT LOCK	2				0.03	0.066
060	75599-81531	FITTING GREASE	2			1/8-27NPT	0.007	0.0154
070	75595-12260	COLLAR THRUST	4				0.06	0.132
080	75595-14150	PIN	2			1.25*5.25	0	0
090	75599-04312	HEX.BOLT	4			3/8-24UNF*5/8	0.016	0.0352
100	04512-60100	WASHER SPRING	4				0.002	0.0044
110	75595-14210	PIN 1 LOCK	1				0.7	1.54

SWING CYLINDER



7K500-003-10

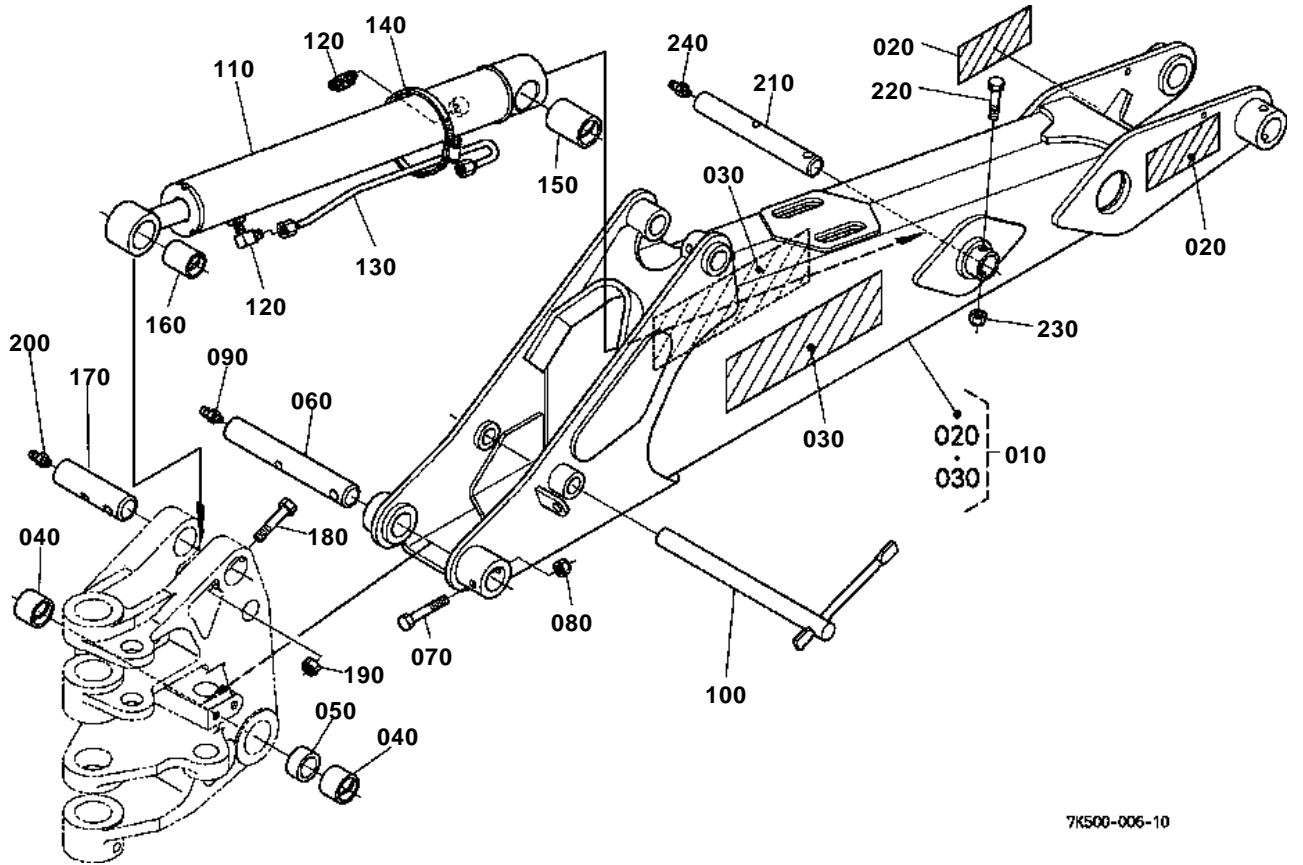


SWING CYLINDER

↔ Interchangeable; ≠ not interchangeable; ← new for old; → old for new

REF.No	Part No.	Description	Q'ty	S.No.	I/C	REMARKS	Weight (kgf)	Weight (lb)
010	7K500-13010	ASSY CYLINDER SWING	2				10.6	23.32
020	K6072-63660	ADAPTER	4				0.043	0.0946
030	75596-13060	ASSY TUBE1 HYDRAULIC	1				0.16	0.352
040	75596-13070	ASSY TUBE2 HYDRAULIC	1				0.16	0.352
050	75595-13080	ASSY TUBE3 HYDRAULIC	1				0.22	0.484
060	75595-13090	ASSY TUBE4 HYDRAULIC	1				0.25	0.55
070	02116-50100	NUT	2				0.004	0.0088
080	02118-50100	NUT	4				0.005	0.011
090	04512-60100	WASHER SPRING	4				0.002	0.0044
100	04013-60100	WASHER PLAIN	6				0.003	0.0066
110	7K500-13410	BUSH	2			32*51	0.2	0.44
120	7K500-14110	SUPPORT CYLINDER	1				8.2	18.04
130	7K500-14120	BUSH	4			38*32	0.15	0.33
140	01133-51635	BOLT	4				0.09	0.198
150	75599-81531	FITTING GREASE	2			1/8-27NPT	0.007	0.0154

BOOM



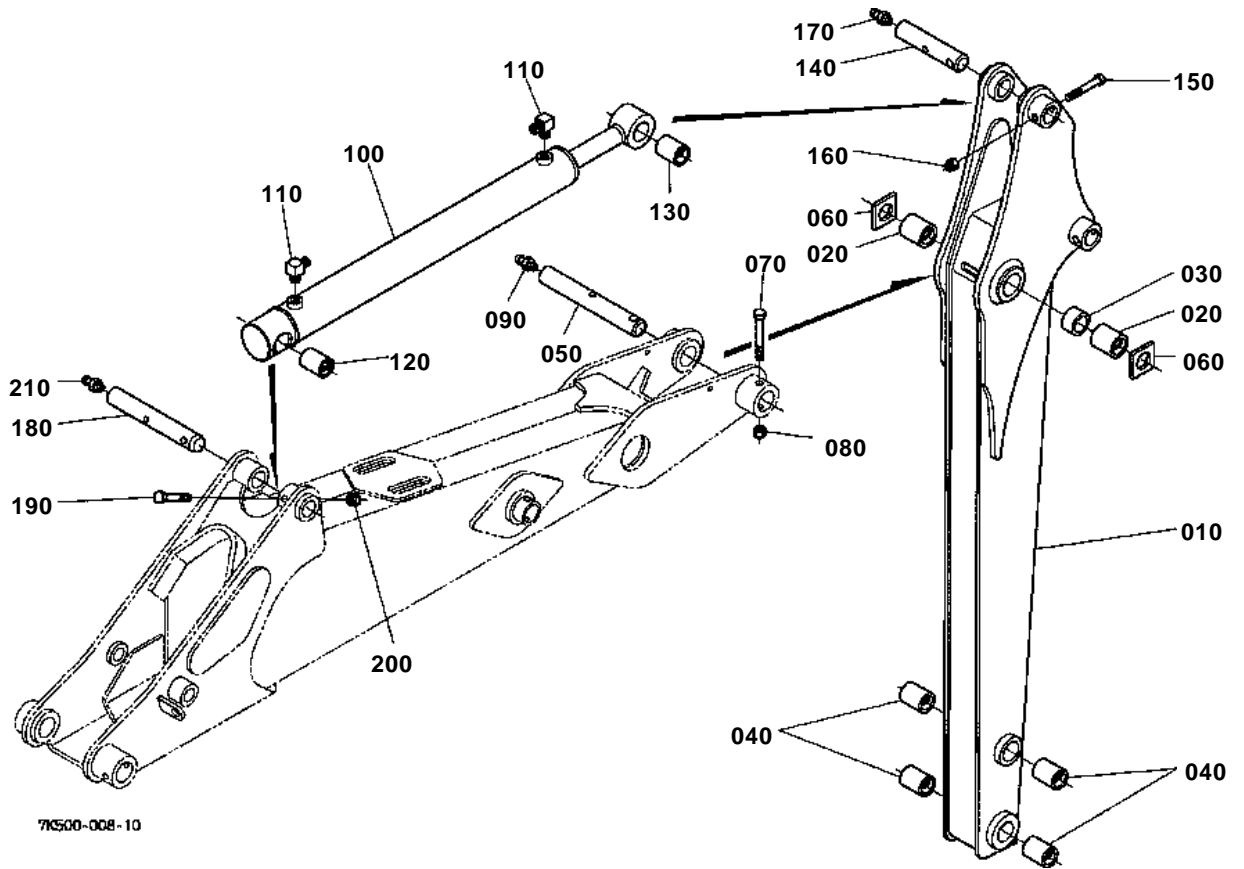
7K500-006-10

**BOOM**

↔ Interchangeable; ≠ not interchangeable; ← new for old; → old for new

REF.No	Part No.	Description	Q'ty	S.No.	I/C	REMARKS	Weight (kgf)	Weight (lb)
010	7K500-90120	BOOM(LABEL)	1				0	0
020	75595-75170	LABEL 1 WARNING	2				0.004	0.0088
030	TD060-80930	LABEL KUBOTA	2				0.007	0.0154
040	7K500-21450	BUSH	2			38*51	0.24	0.528
050	75595-21460	COLLAR SWING	1				0.14	0.308
060	75595-21510	PIN	1			1.50*10.20	2.2	4.84
070	01173-51080	BOLT	1				0.049	0.1078
080	02574-50100	NUT LOCK	1				0.007	0.0154
090	75599-81531	FITTING GREASE	1			1/8-27NPT	0.007	0.0154
100	75595-14220	PIN 2 LOCK	1				1.06	2.332
110	7K500-22010	ASSY CYLINDER BOOM	1				1.3	2.86
120	K6072-63660	ADAPTER	2				0.043	0.0946
130	7K500-22060	ASSY TUBE HYDRAULIC	1				0.2	0.44
140	75595-43510	CLAMP HOSE	1				0.04	0.088
150	7K500-22410	BUSH	1			38*70	0.33	0.726
160	7K500-21450	BUSH	1			38*51	0.24	0.528
170	75595-23110	PIN	1			1.50*5.24	1.1	2.42
180	01173-51080	BOLT	1				0.049	0.1078
190	02574-50100	NUT LOCK	1				0.007	0.0154
200	75599-81531	FITTING GREASE	1			1/8-27NPT	0.007	0.0154
210	75595-23150	PIN	1			1.50*8.75	1.87	4.114
220	01173-51080	BOLT	1				0.049	0.1078
230	02574-50100	NUT LOCK	1				0.007	0.0154
240	75599-81531	FITTING GREASE	1			1/8-27NPT	0.007	0.0154

DIPPERSTICK

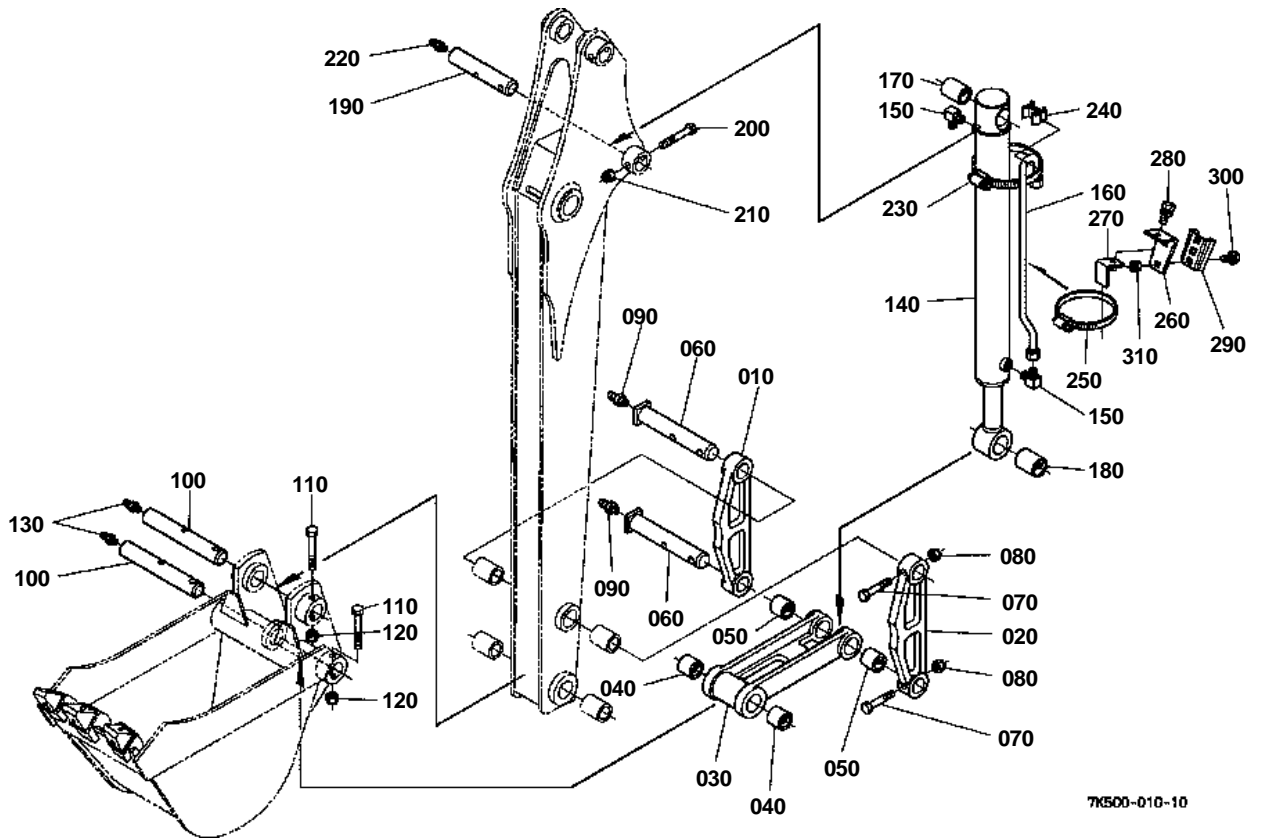


**DIPPERSTICK**

↔ Interchangeable; ≠ not interchangeable; ← new for old; → old for new

REF.No	Part No.	Description	Q'ty	S.No.	I/C	REMARKS	Weight (kgf)	Weight (lb)
010	7K500-31010	DIPPERSTICK	1				75	165
020	7K500-21450	BUSH	2			38*51	0.24	0.528
030	75595-33140	COLLAR ARM	1				0.011	0.0242
040	7K500-33130	BUSH	4			32*51	0.21	0.462
050	75595-21510	PIN	1			1.50*10.20	2.2	4.84
060	75595-31550	SPACER	2				0.007	0.0154
070	01173-51080	BOLT	1				0.049	0.1078
080	02574-50100	NUT LOCK	1				0.007	0.0154
090	75599-81531	FITTING GREASE	1			1/8-27NPT	0.007	0.0154
100	7K500-32010	ASSY CYLINDER DIPPER	1				17.2	37.84
110	K6072-63660	ADAPTER	2				0.043	0.0946
120	7K500-33120	BUSH	1			32*64	0.26	0.572
130	7K500-33130	BUSH	1			32*51	0.21	0.462
140	75595-33160	PIN HS	1			1.25*6.16	0.88	1.936
150	01173-51065	BOLT	1				0.04	0.088
160	02574-50100	NUT LOCK	1				0.007	0.0154
170	75599-81531	FITTING GREASE	1			1/8-27NPT	0.007	0.0154
180	75595-53110	PIN	1			1.25*7.57	0.38	0.836
190	01173-51065	BOLT	1				0.04	0.088
200	02574-50100	NUT LOCK	1				0.007	0.0154
210	75599-81531	FITTING GREASE	1			1/8-27NPT	0.007	0.0154

BUCKET LINK



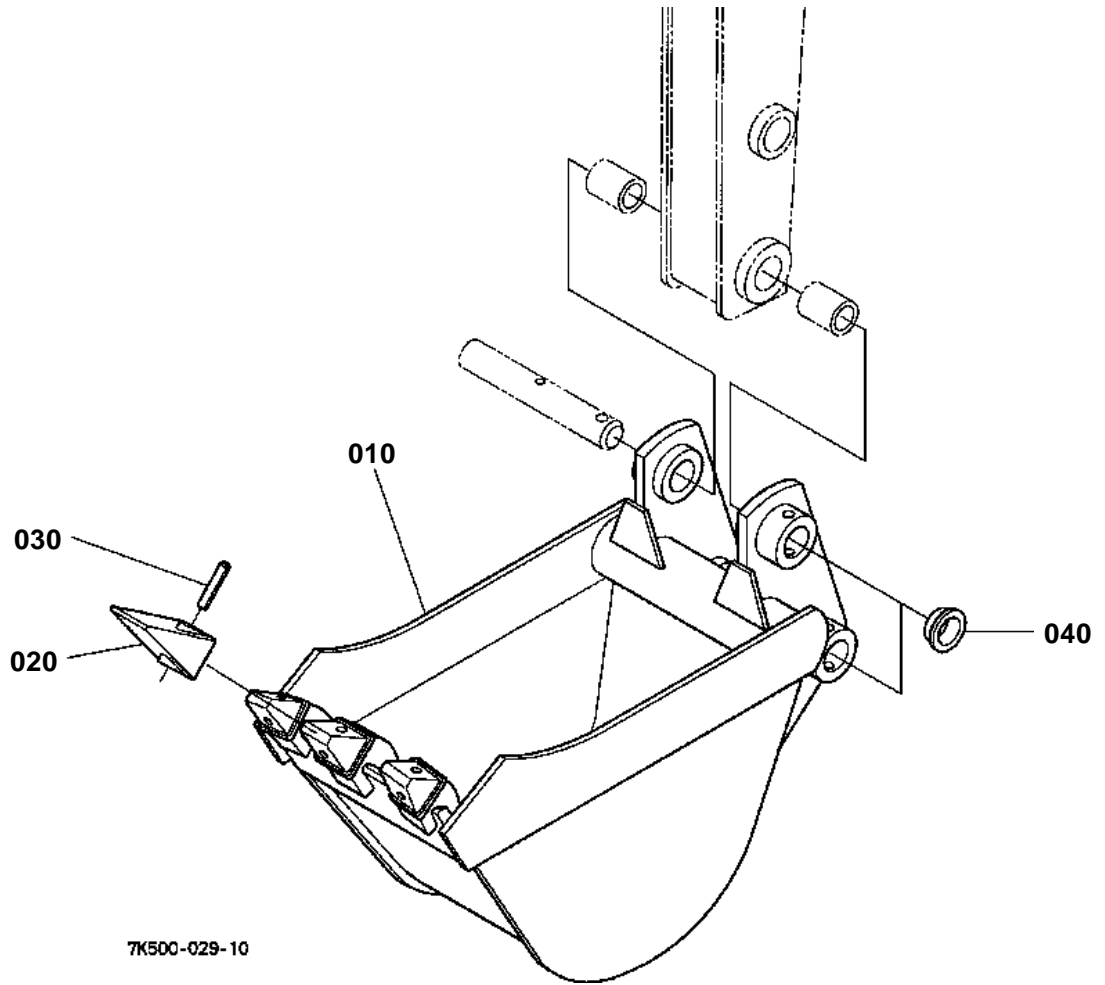
7K500-010-10

**BUCKET LINK**

↔ Interchangeable; ≠ not interchangeable; ← new for old; → old for new

REF.No	Part No.	Description	Q'ty	S.No.	I/C	REMARKS	Weight (kgf)	Weight (lb)
010	75595-41110	LINK 1 GUIDE	1				3.67	8.074
020	75595-41150	LINK 2 GUIDE	1				3.7	8.14
030	75595-41210	LINK BUCKET	1				5.2	11.44
040	7K500-33130	BUSH	2			32*51	0.21	0.462
050	7K500-41220	BUSH	2			32*32	0.13	0.286
060	75595-42610	PIN	2			1.25*7.70	1.175	2.585
070	01173-51075	BOLT	2				0.047	0.1034
080	02574-50100	NUT LOCK	2				0.007	0.0154
090	75599-81531	FITTING GREASE	2			1/8-27NPT	0.007	0.0154
100	75595-42620	PIN	2			1.25*8.82	1.275	2.805
110	01173-51080	BOLT	2				0.049	0.1078
120	02574-50100	NUT LOCK	2				0.007	0.0154
130	75599-81531	FITTING GREASE	2			1/8-27NPT	0.007	0.0154
140	7K500-43010	ASSY CYLINDER BUCKET	1	<=12269		NOT SALE	15	33
140	7K500-43012	ASSY CYLINDER BUCKET	1	>=12270	-		15	33
150	K6072-63660	ADAPTER	2				0.043	0.0946
160	7K500-22060	ASSY TUBE HYDRAULIC	1				0.2	0.44
170	7K500-33120	BUSH	1			32*64	0.26	0.572
180	7K500-33130	BUSH	1			32*51	0.21	0.462
190	75595-33110	PIN	1			1.25*6.16	0.88	1.936
200	01173-51070	BOLT	1				0.044	0.0968
210	02574-50100	NUT LOCK	1				0.007	0.0154
220	75599-81531	FITTING GREASE	1			1/8-27NPT	0.007	0.0154
230	75595-43510	CLAMP HOSE	1				0.04	0.088
240	75598-43420	SUPPORT TUBE	1				0.04	0.088
250	75540-64940	CLAMP HOSE	1				0.003	0.0066
260	75590-44210	CLAMP 1 SMV MARK	1				0.145	0.319
270	7K500-44220	CLAMP 2 SMV MARK	1				0.08	0.176
280	01133-51020	BOLT	1				0.02	0.044
290	7L500-89930	SOCKET-MTG SMV	1				0.05	0.11
300	7L500-89810	BOLT SQUARE NECK	2			5/16*16	0.011	0.0242
310	75599-31012	NUT	2			5/16-18UNC	0.007	0.0154

BUCKET



7K500-029-10

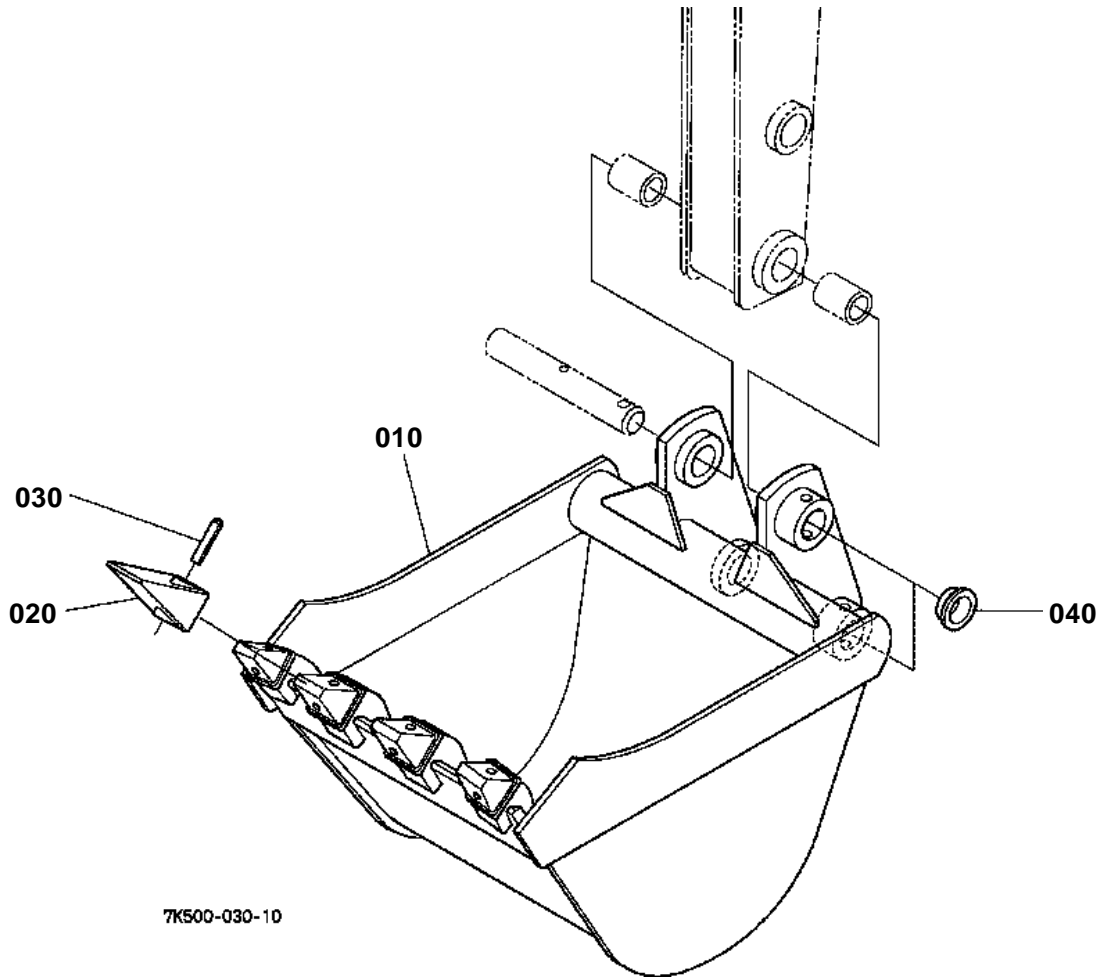


BUCKET
[BH2901]

↔ Interchangeable; ≠ not interchangeable; ← new for old; → old for new

REF.No	Part No.	Description	Q'ty	S.No.	I/C	REMARKS	Weight (kgf)	Weight (lb)
010	7K500-42022	BUCKET 12	1				0	0
020	75595-42830	TEETH	3				0.19	0.418
030	75599-55640	PIN SPRING COILED	3			3/8*2	0.02	0.044
040	75595-42580	CAP	4				0.003	0.0066

BUCKET



7K500-030-10

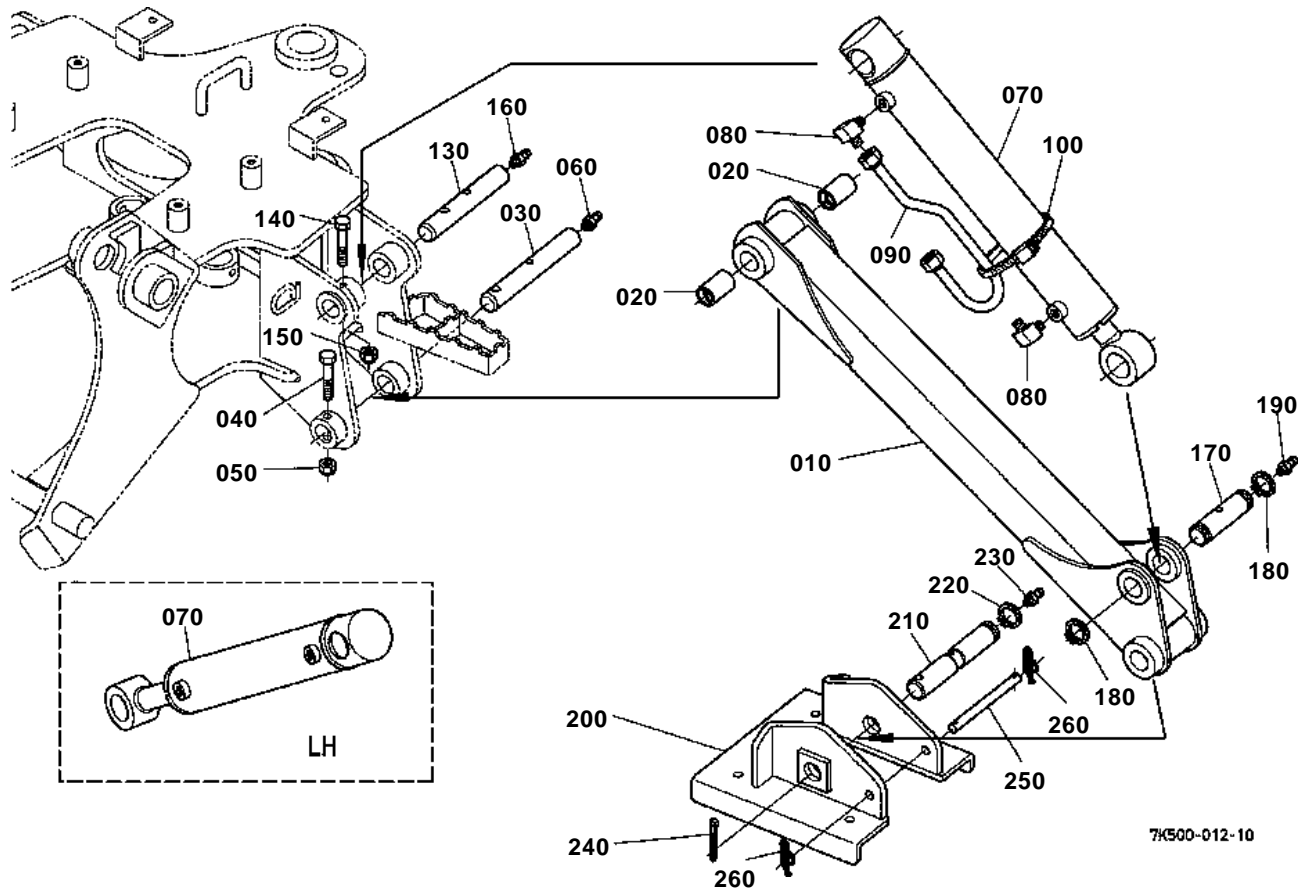


BUCKET
[BH2903]

↔ Interchangeable; ≠ not interchangeable; ← new for old; → old for new

REF.No	Part No.	Description	Q'ty	S.No.	I/C	REMARKS	Weight (kgf)	Weight (lb)
010	7K500-42072	BUCKET 18	1				0	0
020	75595-42830	TEETH	4				0.19	0.418
030	75599-55640	PIN SPRING COILED	4			3/8*2	0.02	0.044
040	75595-42580	CAP	4				0.003	0.0066

STABILIZER ARM

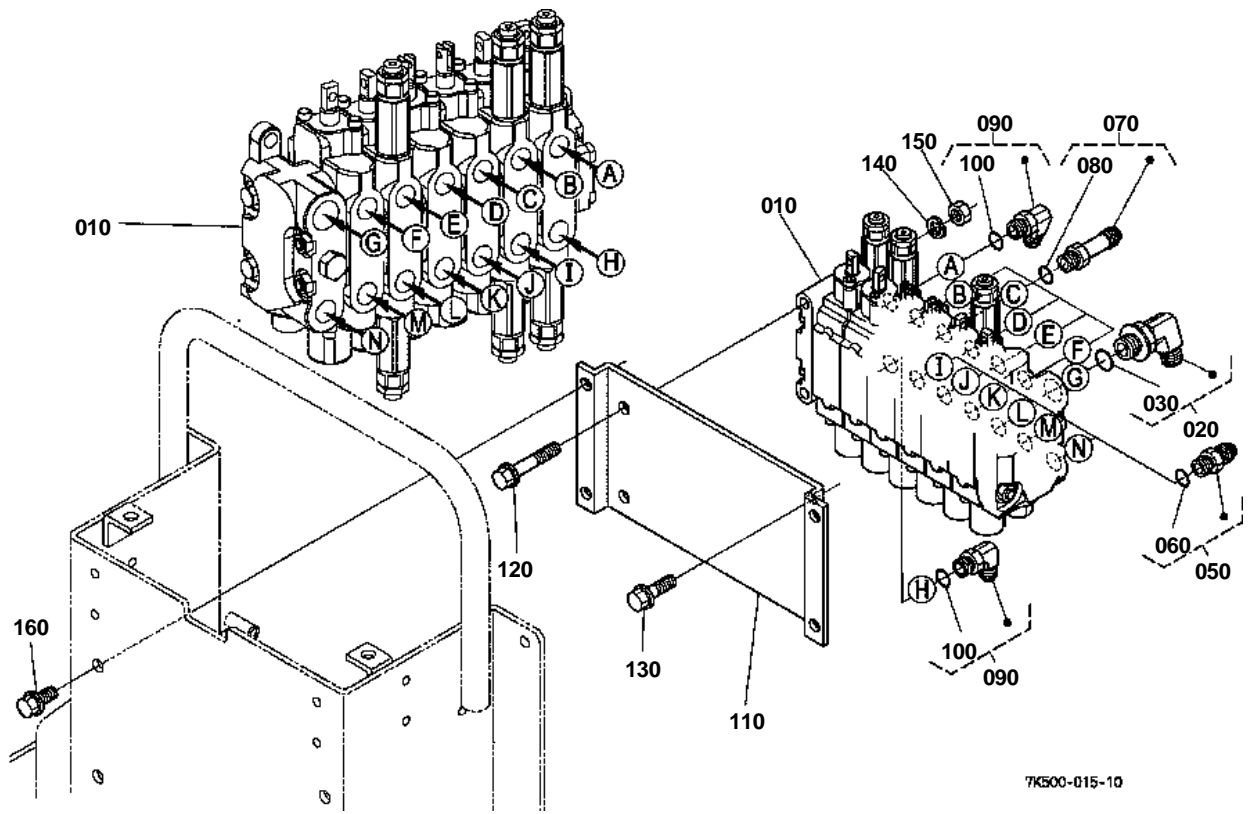


**STABILIZER ARM**

↔ Interchangeable; ≠ not interchangeable; ← new for old; → old for new

REF.No	Part No.	Description	Q'ty	S.No.	I/C	REMARKS	Weight (kgf)	Weight (lb)
010	7K500-51010	ARM STABILIZER	2				21	46.2
020	7K500-33130	BUSH	4			32*51	0.21	0.462
030	75595-42620	PIN	2			1.25*8.82	1.275	2.805
040	01173-51065	BOLT	2				0.04	0.088
050	02574-50100	NUT LOCK	2				0.007	0.0154
060	75599-81531	FITTING GREASE	2			1/8-27NPT	0.007	0.0154
070	7K500-52010	ASSY CYLINDER STABI.	2				12	26.4
080	K6072-63660	ADAPTER	4				0.043	0.0946
090	75596-52060	ASSY TUBE HYDRAULIC	2				0.15	0.33
100	75540-64940	CLAMP HOSE	2				0.003	0.0066
110	99999-99999	BLANK	0				0	0
120	99999-99999	BLANK	0				0	0
130	75595-53110	PIN	2			1.25*7.57	0.38	0.836
140	01173-51065	BOLT	2				0.04	0.088
150	02574-50100	NUT LOCK	2				0.007	0.0154
160	75599-81531	FITTING GREASE	2			1/8-27NPT	0.007	0.0154
170	75595-53150	PIN	2			1.25*4.66	0.28	0.616
180	75599-41535	CIR-CRIP EXTERNAL	4			1 1/4	0.004	0.0088
190	75599-81531	FITTING GREASE	2			1/8-27NPT	0.007	0.0154
200	7K500-53300	PAD STABILIZER	2	<=12329			6.5	14.3
200	7K500-53304	PAD STABILIZER	2	>=12330	→		6.5	14.3
210	75595-53230	PIN	2			1.25*7.54	1.1	2.42
220	75599-41535	CIR-CRIP EXTERNAL	2			1 1/4	0.004	0.0088
230	75599-81531	FITTING GREASE	2			1/8-27NPT	0.007	0.0154
240	75599-53237	PIN COTTER	2			1/4*2	0.012	0.0264
250	7K500-53350	BAR CONNECTING	2				0.266	0.5852
260	K1211-91150	RUE RING COTTER	4				0.006	0.0132

CONTROL VALVE



7K500-015-10

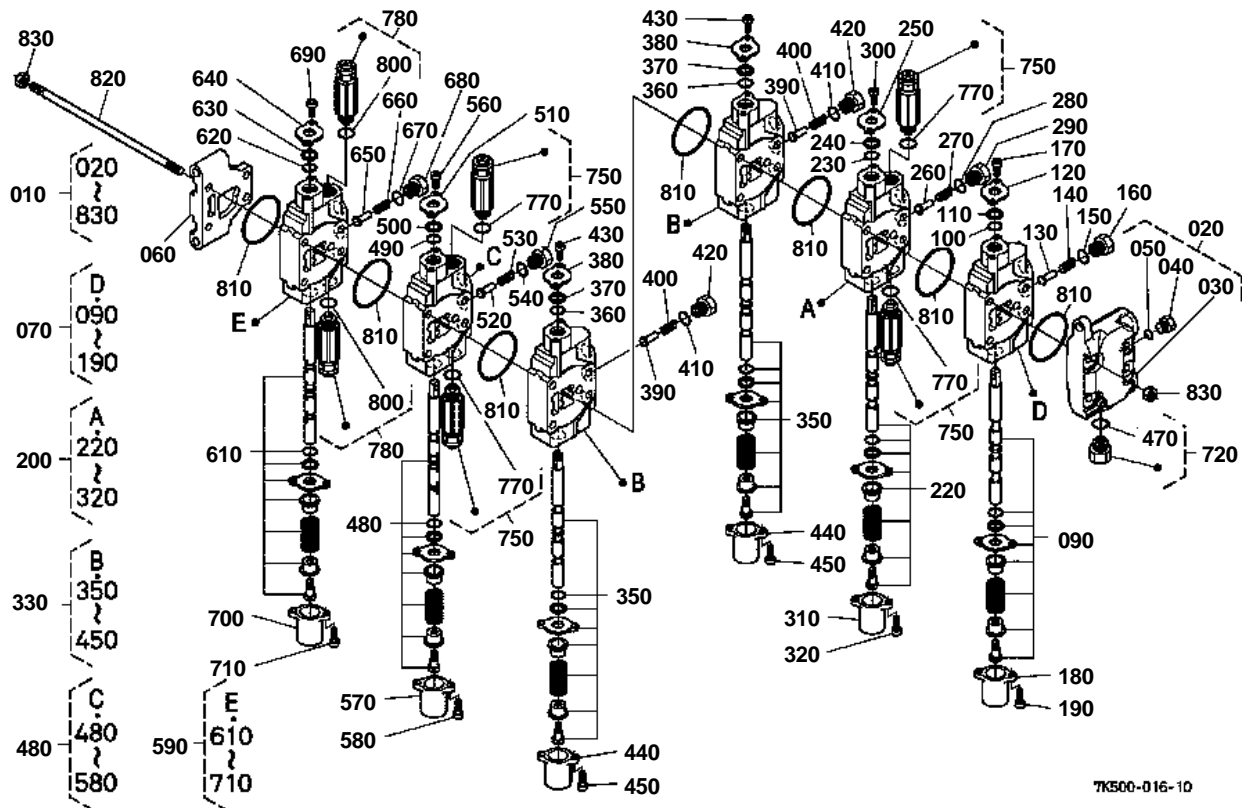


CONTROL VALVE

↔ Interchangeable; ≠ not interchangeable; ← new for old; → old for new

REF.No	Part No.	Description	Q'ty	S.No.	I/C	REMARKS	Weight (kgf)	Weight (lb)
010	7K500-63010	ASSY VALVE CONTROL	1				13.7	30.14
020	75560-61950	ASSY ELBOW 2 ADJUSTA	1				0.14	0.308
030	75540-61820	O-RING	1				0.001	0.0022
040	99999-99999	BLANK	0				0	0
050	7K500-63800	ASSY JOINT STRAIGHT1	6				0.034	0.0748
060	75595-64220	O-RING	6				0.001	0.0022
070	7K500-63900	ASSY JOINT STRAIGHT3	5				0.056	0.1232
080	75595-64220	O-RING	5				0.001	0.0022
090	75595-64200	ASSY ELBOW ADJ	2			9/16	0.52	1.144
100	75595-64220	O-RING	2				0.001	0.0022
110	7K500-61240	STAY VALVE	1				0.674	1.4828
120	01774-51055	BOLT FLANGE	2				0.04	0.088
130	01774-51030	BOLT FLANGE	1				0.02	0.044
140	04512-60100	WASHER SPRING	3				0.002	0.0044
150	02118-50100	NUT	3				0.005	0.011
160	01774-61020	BOLT FLANGE	4				0.022	0.0484

CONTROL VALVE [COMPONENT PARTS]



7K500-016-10



CONTROL VALVE [COMPONENT PARTS]

↔ Interchangeable; ≠ not interchangeable; ← new for old; → old for new

REF.No	Part No.	Description	Q'ty	S.No.	I/C	REMARKS	Weight (kgf)	Weight (lb)
010	7K500-63010	ASSY VALVE CONTROL	1				13.7	30.14
020	7K500-63040	ASSY BODY INLET	1				1.35	2.97
030	7K500-63070	BODY INLET	1				0.04	0.088
040	7K500-63080	PLUG	1				0.04	0.088
050	7K500-63090	O RING	1				0.001	0.0022
060	7K500-63050	COVER END	1				0.6	1.32
070	7K500-63200	ASSY VALVE BUCKET	1				1.74	3.828
080	99999-99999	BLANK	0				0	0
090	7K500-63250	ASSY SPOOL BUCKET	1				0.16	0.352
100	04816-00120	O RING	1				0.001	0.0022
110	RB401-70510	WIPER	1				0.5	1.1
120	RB401-70300	PLATE SEAL	1				0.008	0.0176
130	RB401-70340	SPOOL	1				0.007	0.0154
140	RB401-70530	SPRING	1				0.001	0.0022
150	04817-00110	O RING	1				0.001	0.0022
160	RB401-70400	PLUG	1				0.027	0.0594
170	01350-10510	BOLT HEX-SOC-HD	2				0.003	0.0066
180	RB401-70290	CAP	1				0.031	0.0682
190	RA011-70830	BOLT	2				0.009	0.0198
200	7K500-63300	ASSY VALVE DIPPER	1				1.73	3.806
210	99999-99999	BLANK	0				0	0
220	7K500-63350	ASSY SPOOL DIPPER	1				0.17	0.374
230	04816-00120	O RING	1				0.001	0.0022
240	RB401-70510	WIPER	1				0.5	1.1
250	RB401-70300	PLATE SEAL	1				0.008	0.0176
260	RB401-70340	SPOOL	1				0.007	0.0154
270	RB401-70530	SPRING	1				0.001	0.0022
280	04817-00110	O RING	1				0.001	0.0022
290	RB401-70400	PLUG	1				0.027	0.0594
300	01350-10510	BOLT HEX-SOC-HD	2				0.003	0.0066
310	RB401-70290	CAP	1				0.031	0.0682
320	RA011-70830	BOLT	2				0.009	0.0198
330	7K500-63400	ASSY VALVE STABI.	2				1.75	3.85
340	99999-99999	BLANK	0				0	0
350	7K500-63450	ASSY SPOOL STABI.	2				0.17	0.374
360	04816-00120	O RING	2				0.001	0.0022
370	RB401-70510	WIPER	2				0.5	1.1
380	RB401-70300	PLATE SEAL	2				0.008	0.0176
390	RB401-70340	SPOOL	2				0.007	0.0154
400	RB401-70530	SPRING	2				0.001	0.0022
410	04817-00110	O RING	2				0.001	0.0022
420	RB401-70400	PLUG	2				0.027	0.0594
430	01350-10510	BOLT HEX-SOC-HD	4				0.003	0.0066
440	RB401-70290	CAP	2				0.031	0.0682
450	RA011-70830	BOLT	4				0.009	0.0198
460	7K500-63500	ASSY VALVE BOOM	1				1.75	3.85
470	99999-99999	BLANK	0				0	0
480	7K500-63550	ASSY SPOOL BOOM	1				0.17	0.374
490	04816-00120	O RING	1				0.001	0.0022
500	RB401-70510	WIPER	1				0.5	1.1
510	RB401-70300	PLATE SEAL	1				0.008	0.0176

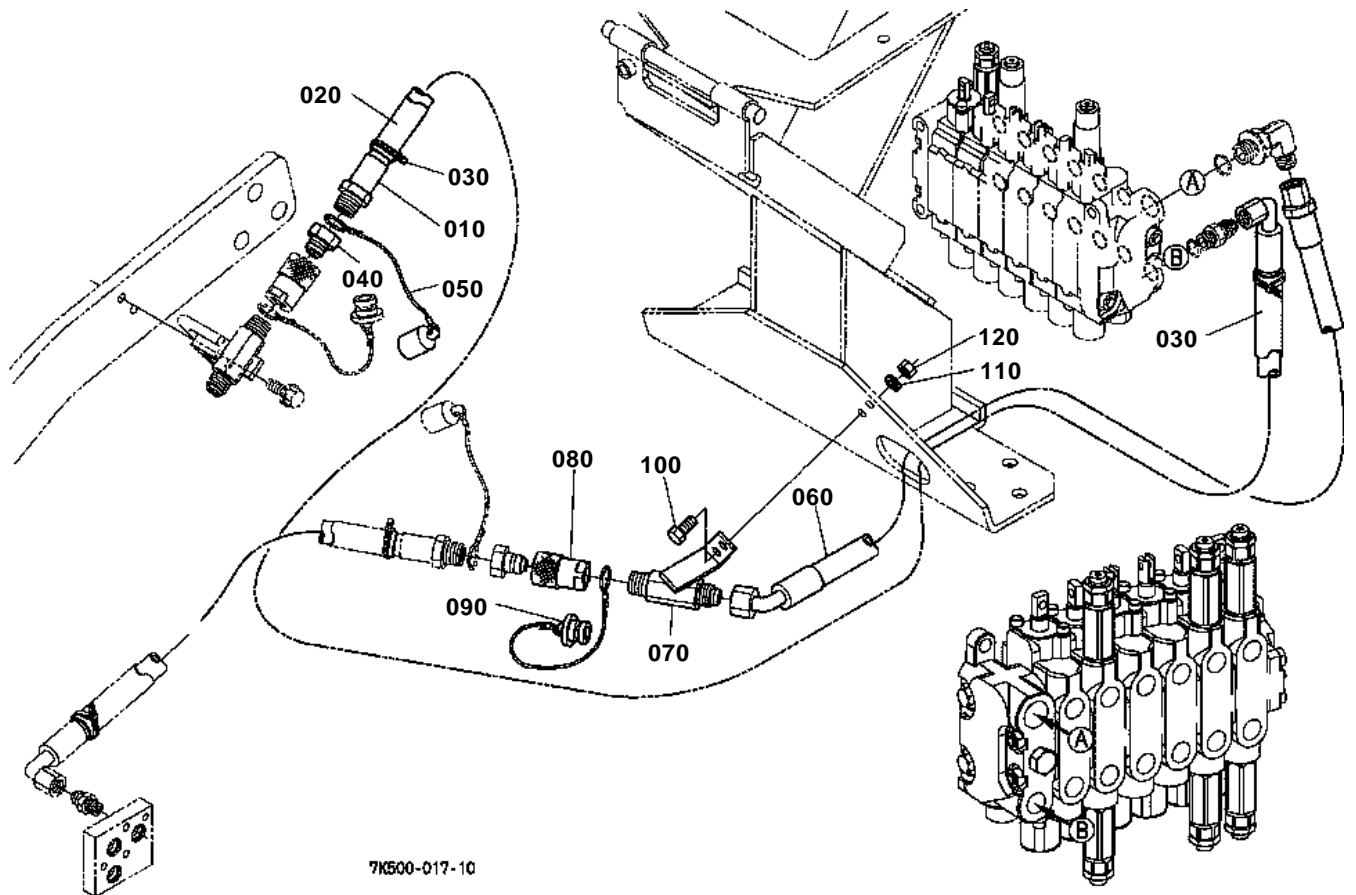


CONTROL VALVE [COMPONENT PARTS]

↔ Interchangeable; ≠ not interchangeable; ← new for old; → old for new

REF.No	Part No.	Description	Q'ty	S.No.	I/C	REMARKS	Weight (kgf)	Weight (lb)
520	RB401-70340	SPOOL	1				0.007	0.0154
530	RB401-70530	SPRING	1				0.001	0.0022
540	04817-00110	O RING	1				0.001	0.0022
550	RB401-70400	PLUG	1				0.027	0.0594
560	01350-10510	BOLT HEX-SOC-HD	2				0.003	0.0066
570	RB401-70290	CAP	1				0.031	0.0682
580	RA011-70830	BOLT	2				0.009	0.0198
590	7K500-63600	ASSY VALVE SWING	1				1.74	3.828
600	99999-99999	BLANK	0				0	0
610	7K500-63650	ASSY SPOOL SWING	1				0.18	0.396
620	04816-00120	O RING	1				0.001	0.0022
630	RB401-70510	WIPER	1				0.5	1.1
640	RB401-70300	PLATE SEAL	1				0.008	0.0176
650	RB401-70340	SPOOL	1				0.007	0.0154
660	RB401-70530	SPRING	1				0.001	0.0022
670	04817-00110	O RING	1				0.001	0.0022
680	RB401-70400	PLUG	1				0.027	0.0594
690	01350-10510	BOLT HEX-SOC-HD	2				0.003	0.0066
700	RB401-70290	CAP	1				0.031	0.0682
710	RA011-70830	BOLT	2				0.009	0.0198
720	75598-63110	ASSY PLUG	1				0.068	0.1496
730	99999-99999	BLANK	0				0	0
740	04817-00140	O RING	1				0.001	0.0022
750	7K500-63710	ASSY VALVE RELIEF	4				0.16	0.352
760	99999-99999	BLANK	0				0	0
770	04817-00140	O RING	4				0.001	0.0022
780	7K500-63730	ASSY VALVE RELIEF 2	2				0.16	0.352
790	99999-99999	BLANK	0				0	0
800	04817-00140	O RING	2				0.001	0.0022
810	RB401-70020	O RING	7				0.002	0.0044
820	7K500-63030	BOLT	4				0.08	0.176
830	RA011-70670	NUT	8				0.006	0.0132

HYDRAULIC HOSE(INTAKE)



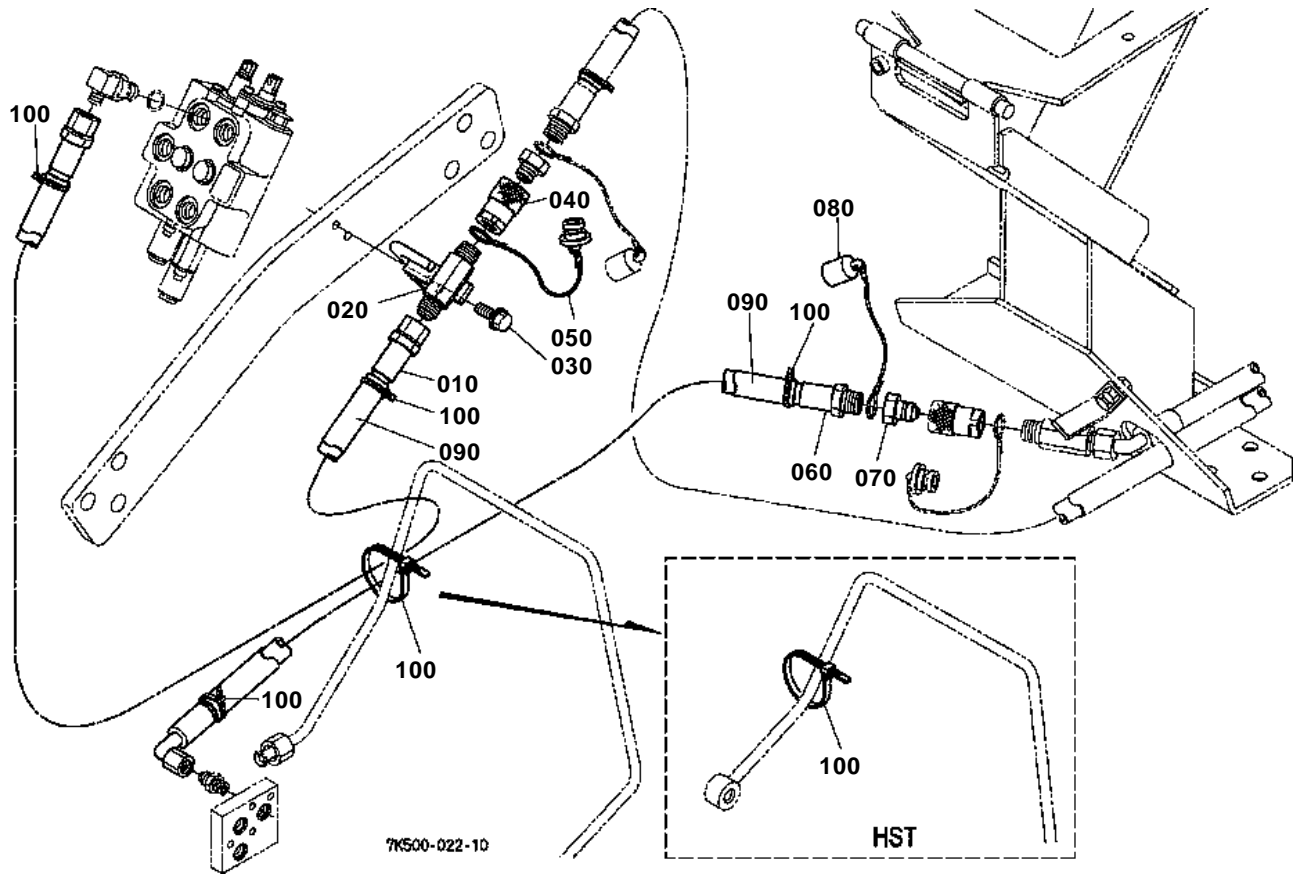


HYDRAULIC HOSE(INTAKE)

↔ Interchangeable; ≠ not interchangeable; ← new for old; → old for new

REF.No	Part No.	Description	Q'ty	S.No.	I/C	REMARKS	Weight (kgf)	Weight (lb)
010	7K500-64110	HOSE 1 HYDRAULIC	1				1.3	2.86
020	7J040-66570	SLEEVE RETURN	1				0.11	0.242
030	75590-64650	BAND CODE	2				0.01	0.022
040	75560-66220	NIPPLE	1				0.115	0.253
050	75567-66450	PLUG DUST	1				0	0
060	7K500-64150	HOSE 2 HYDRAULIC	1				0	0
070	7K500-64170	JOINT 1 COUPLER	1				0.239	0.5258
080	75560-66320	COUPLER	1				0.35	0.77
090	75567-66350	PLUG DUST	1				0	0
100	01153-50820	BOLT	2				0.012	0.0264
110	04512-60080	WASHER SPRING	2				0.002	0.0044
120	02114-50080	NUT	2				0.005	0.011

HYDRAULIC HOSE(INLET/OUTLET)



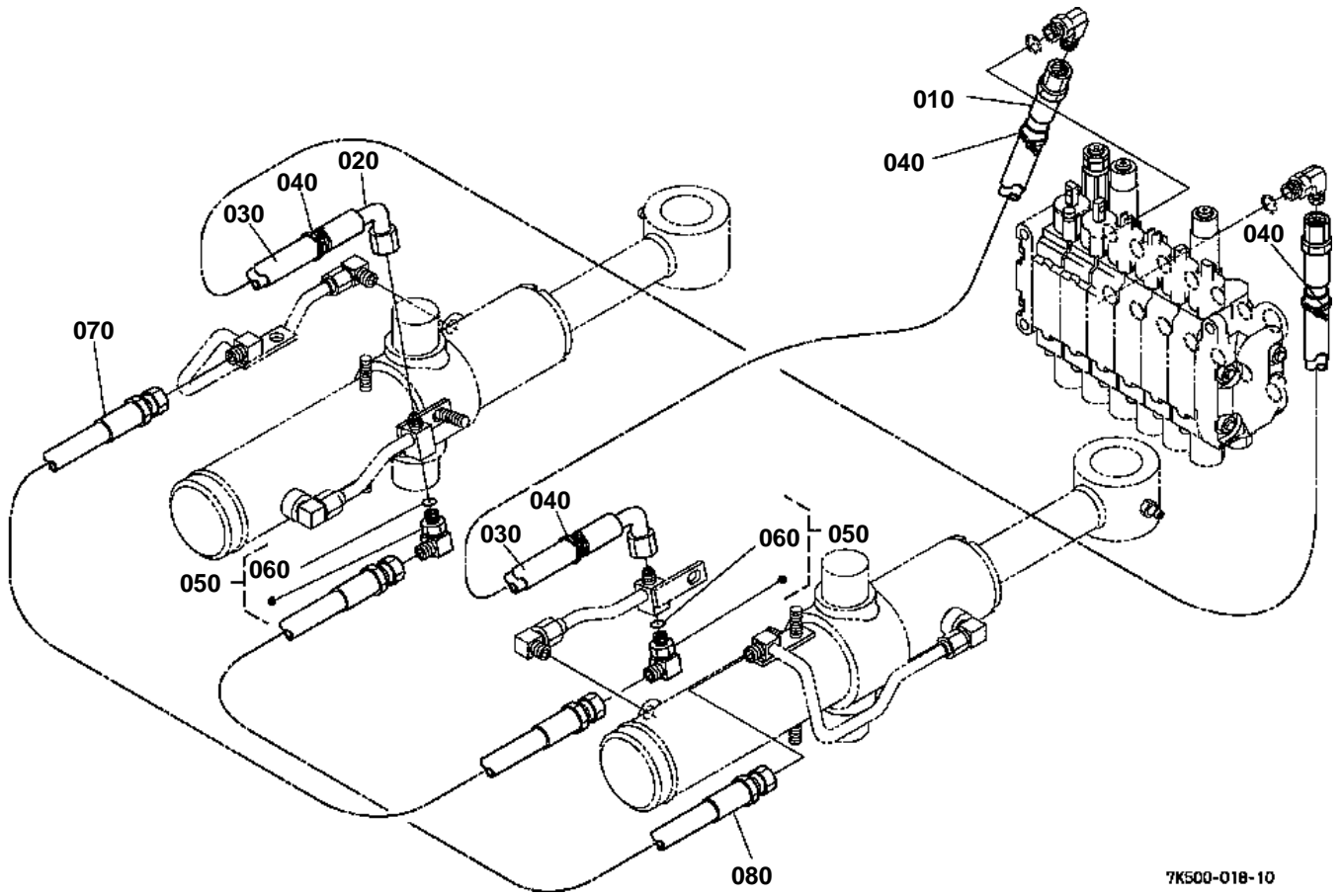


HYDRAULIC HOSE(INLET/OUTLET)

↔ Interchangeable; ≠ not interchangeable; ← new for old; → old for new

REF.No	Part No.	Description	Q'ty	S.No.	I/C	REMARKS	Weight (kgf)	Weight (lb)
010	7K500-64810	HOSE INLET	1				0	0
020	7K500-64840	JOINT 2 COUPLER	1				0.33	0.726
030	01754-50820	BOLT FLANGE	2				0.015	0.033
040	75560-66320	COUPLER	1				0.35	0.77
050	75567-66350	PLUG DUST	1				0	0
060	7K500-64820	HOSE OUTLET	1				1.3	2.86
070	75560-66220	NIPPLE	1				0.115	0.253
080	75567-66450	PLUG DUST	1				0	0
090	75568-66520	SLEEVE RETURN	2				0.172	0.3784
100	75590-64650	BAND CODE	5				0.01	0.022

HYDRAULIC HOSE(SWING)



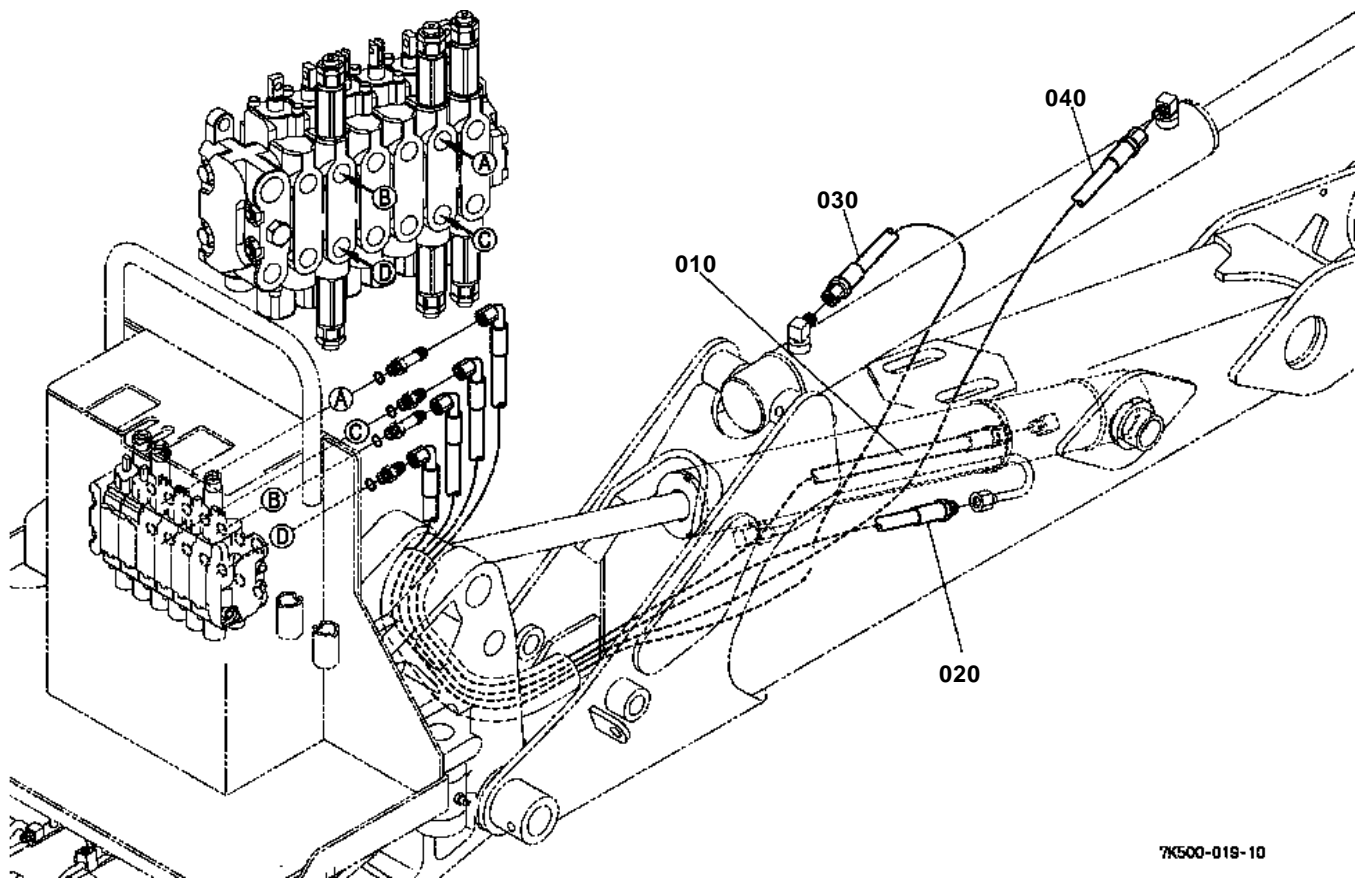


HYDRAULIC HOSE(SWING)

↔ Interchangeable; ≠ not interchangeable; ← new for old; → old for new

REF.No	Part No.	Description	Q'ty	S.No.	I/C	REMARKS	Weight (kgf)	Weight (lb)
010	7K500-64230	HOSE 3 HYDRAULIC	1				0.63	1.386
020	7K500-64250	HOSE 4 HYDRAULIC	1				0.62	1.364
030	75583-66330	SLEEVE 1	2				0.06	0.132
040	75590-64650	BAND CODE	4				0.01	0.022
050	75595-64200	ASSY ELBOW ADJ	2			9/16	0.52	1.144
060	75595-64220	O-RING	2				0.001	0.0022
070	75596-64260	HOSE L5 HYDRAULIC	1				0.3	0.66
080	75596-64270	HOSE R5 HYDRAULIC	1				0.25	0.55

HYDRAULIC HOSE(BOOM/DIPPER)



7K500-019-10

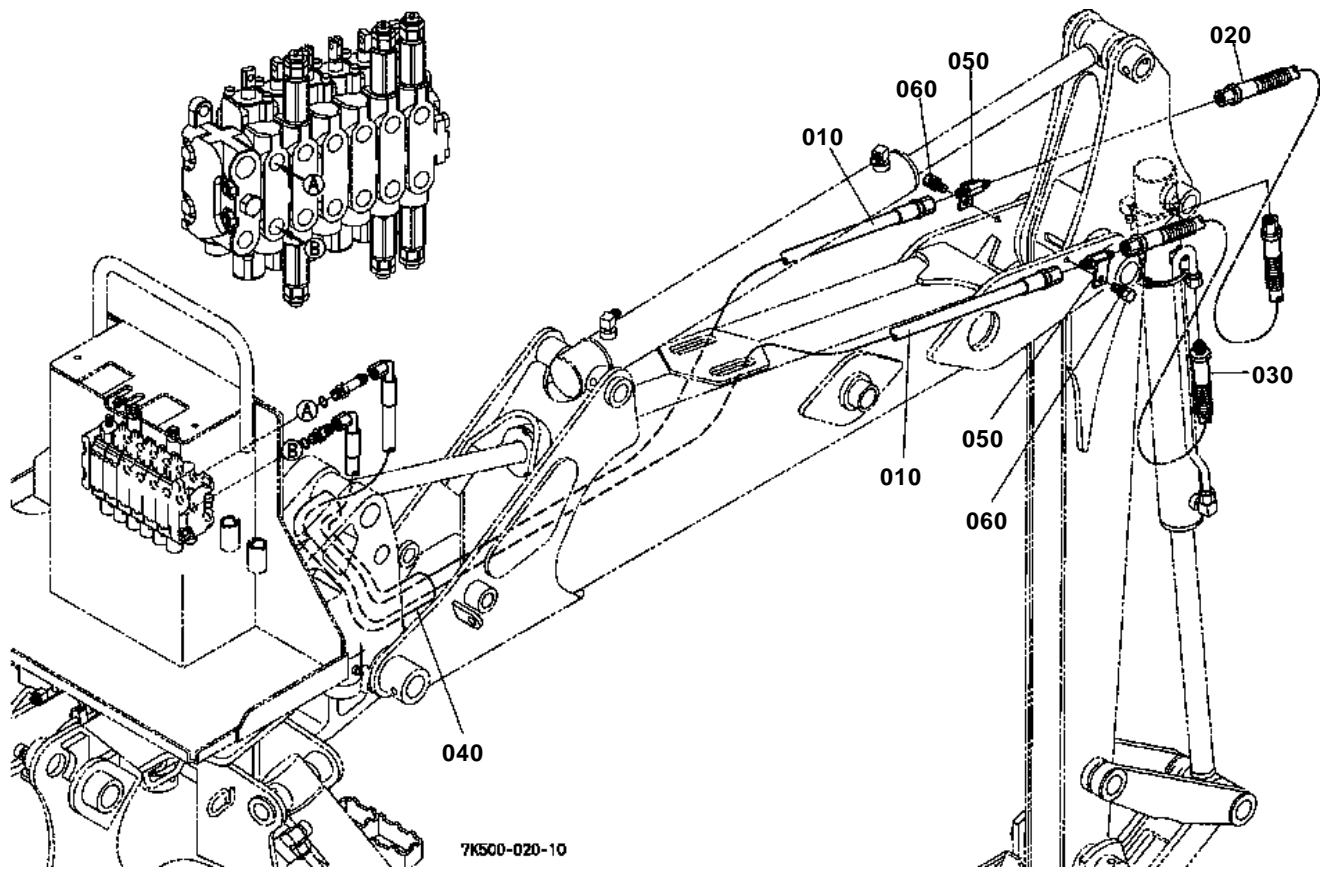


HYDRAULIC HOSE(BOOM/DIPPER)

↔ Interchangeable; ≠ not interchangeable; ← new for old; → old for new

REF.No	Part No.	Description	Q'ty	S.No.	I/C	REMARKS	Weight (kgf)	Weight (lb)
010	7K500-64310	HOSE 6 HYDRAULIC	1				0.8	1.76
020	7K500-64320	HOSE 7 HYDRAULIC	1				0.76	1.672
030	7K500-64410	HOSE 8 HYDRAULIC	1				0.9	1.98
040	7K500-64430	HOSE 9 HYDRAULIC	1				1	2.2

HYDRAULIC HOSE(BUCKET)



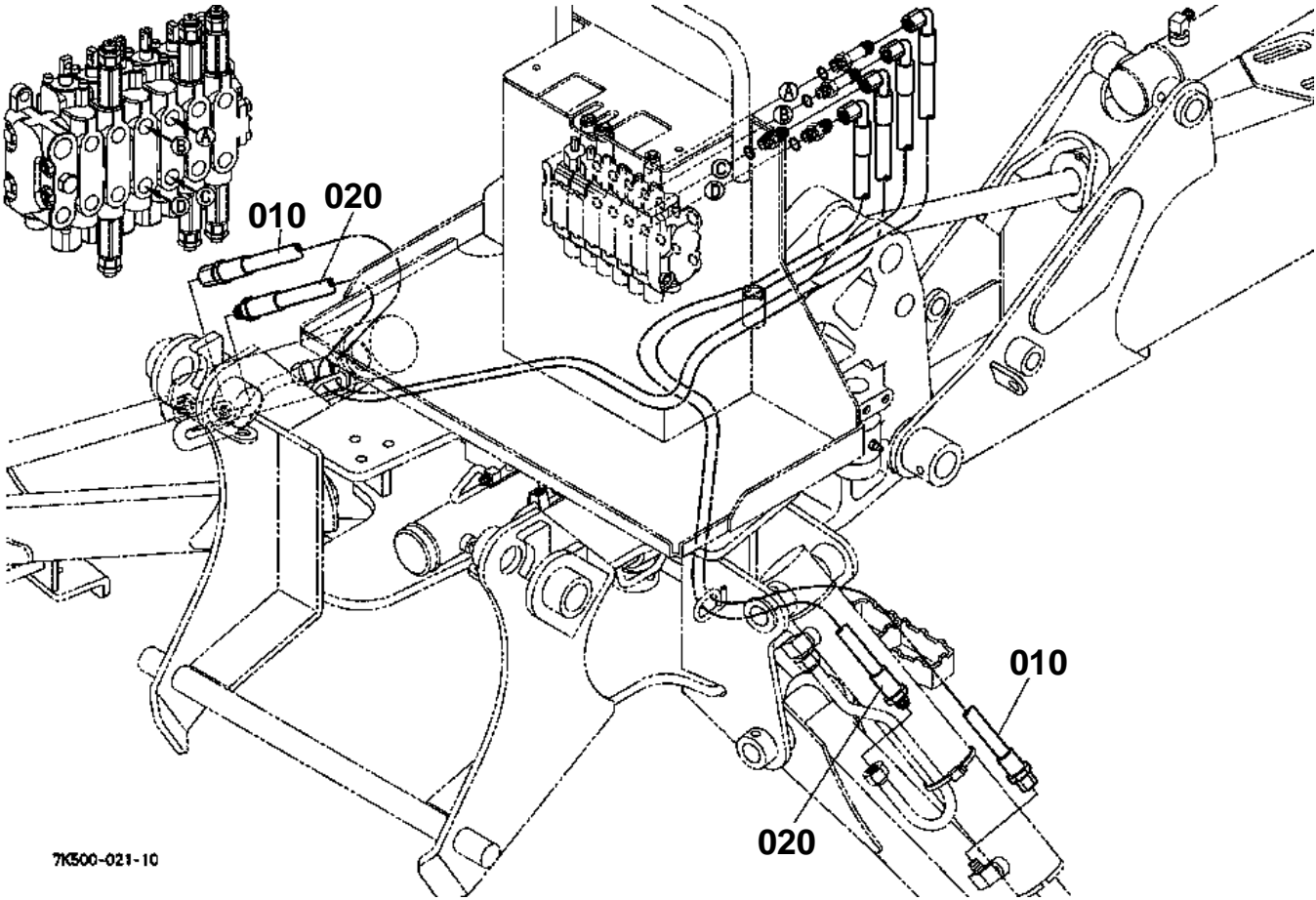


HYDRAULIC HOSE(BUCKET)

↔ Interchangeable; ≠ not interchangeable; ← new for old; → old for new

REF.No	Part No.	Description	Q'ty	S.No.	I/C	REMARKS	Weight (kgf)	Weight (lb)
010	7K500-64510	HOSE 10 HYDRAULIC	2				1.1	2.42
020	7K500-64550	HOSE 12L HYDRAULIC	1				0.72	1.584
030	7K500-64560	HOSE 12R HYDRAULIC	1				0.75	1.65
040	75590-64580	SLEEVE	1				0.135	0.297
050	75598-64710	TUBE HYDRAULIC	2				0.16	0.352
060	01133-51020	BOLT	2				0.02	0.044

HYDRAULIC HOSE(STABILIZER)



7K500-021-10

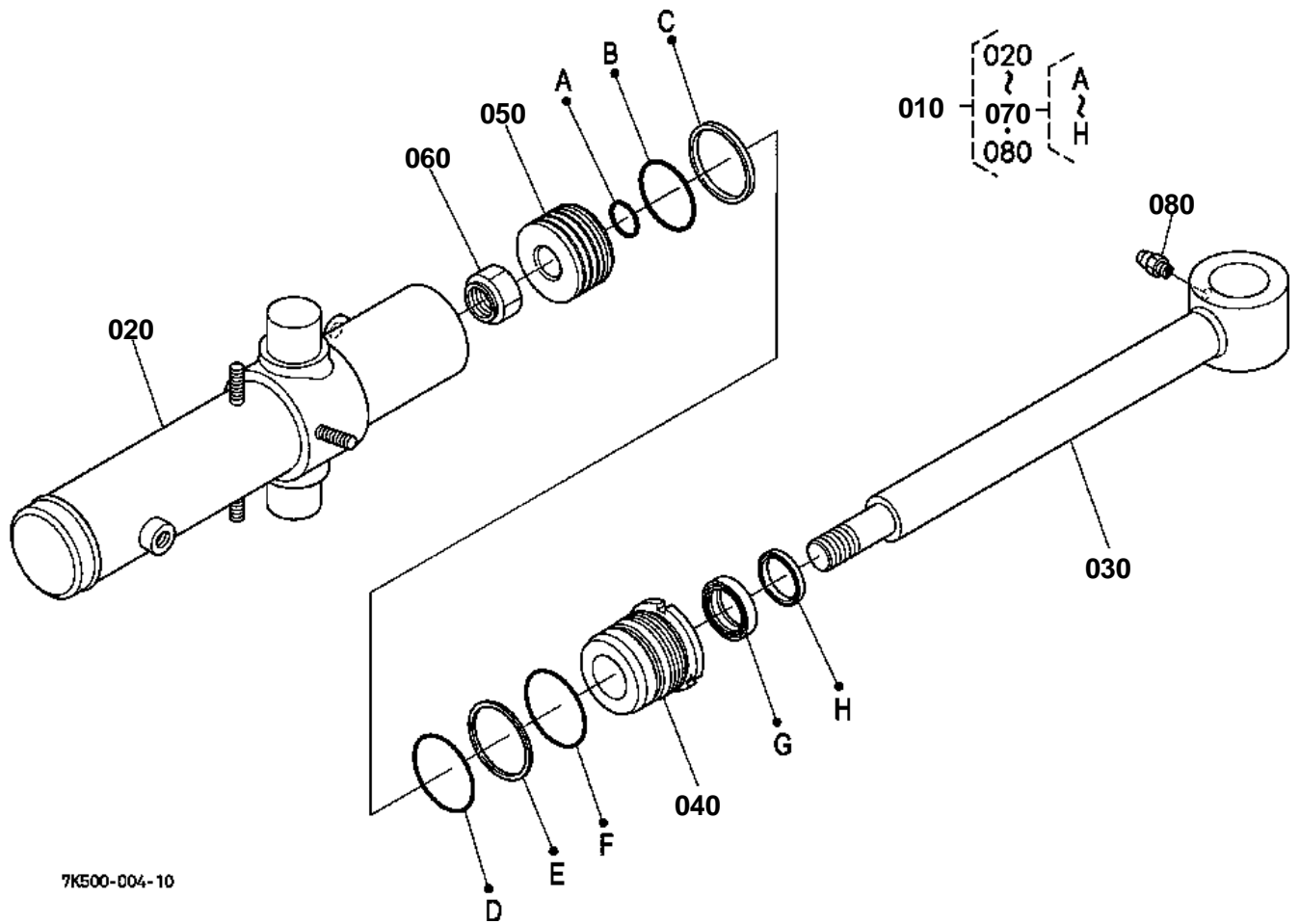


HYDRAULIC HOSE(STABILIZER)

↔ Interchangeable; ≠ not interchangeable; ← new for old; → old for new

REF.No	Part No.	Description	Q'ty	S.No.	I/C	REMARKS	Weight (kgf)	Weight (lb)
010	7K500-64610	HOSE 13 HYDRAULIC	2				0.38	0.836
020	7K500-64630	HOSE 14 HYDRAULIC	2				0.34	0.748

CYLINDER(SWING) [COMPONENT PARTS]



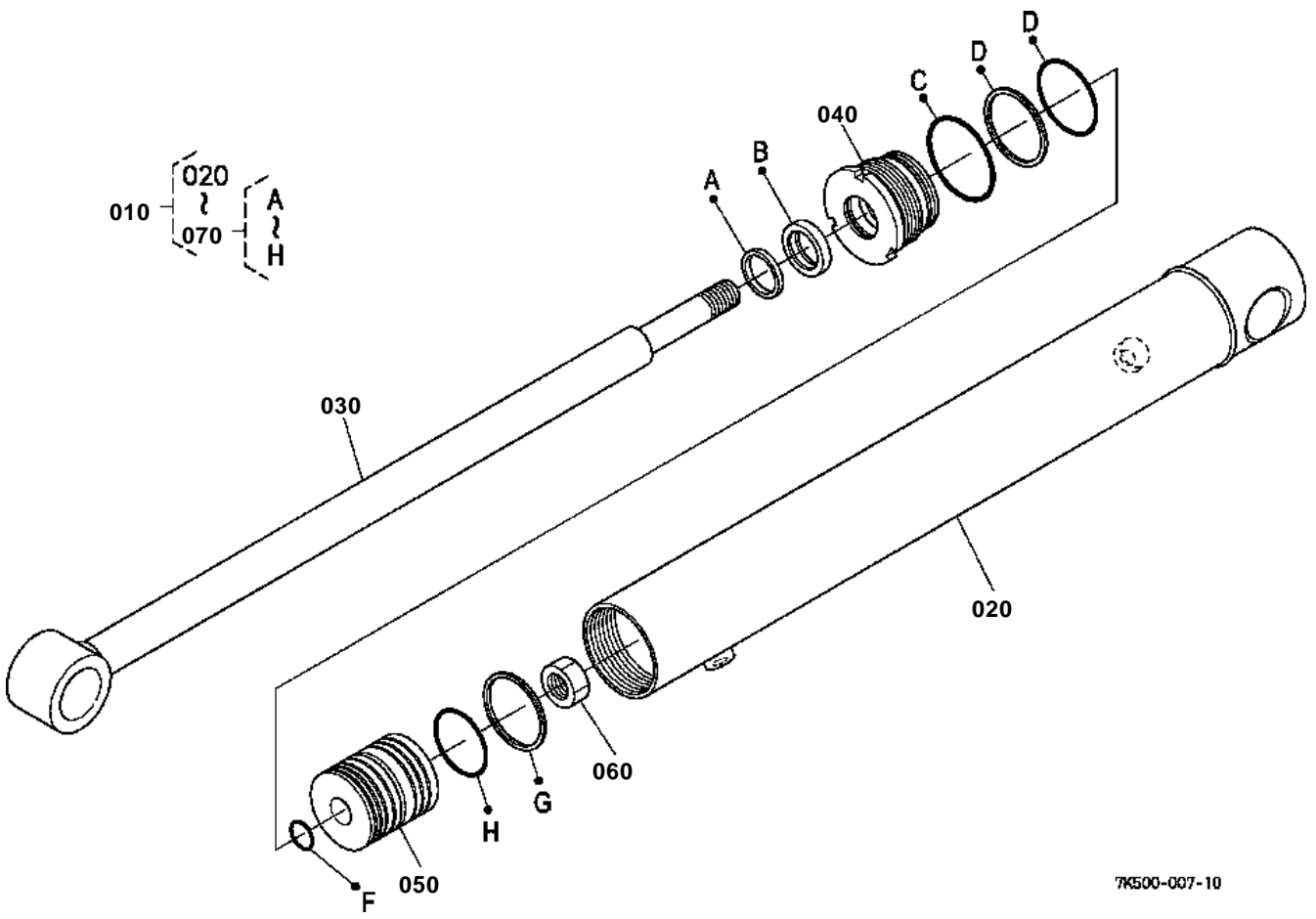


CYLINDER(SWING) [COMPONENT PARTS]

↔ Interchangeable; ≠ not interchangeable; ← new for old; → old for new

REF.No	Part No.	Description	Q'ty	S.No.	I/C	REMARKS	Weight (kgf)	Weight (lb)
010	7K500-13010	ASSY CYLINDER SWING	2				10.6	23.32
020	7K500-13030	COMP.TUBE SWING	2				6.6	14.52
030	7K500-13050	COMP.ROD SWING	2				4.01	8.822
040	7K500-13110	HEAD	2			60*35	0.7	1.54
050	7K500-13210	PISTON(SWING 60X35)	2				0.6	1.32
060	7K500-13250	NUT	2			M24*2	0.097	0.2134
070	7K500-13300	KITSEAL(SWI. 60X35)	2				0.03	0.066
080	75599-81531	FITTING GREASE	2			1/8-27NPT	0.007	0.0154

CYLINDER(BOOM) [COMPONENT PARTS]



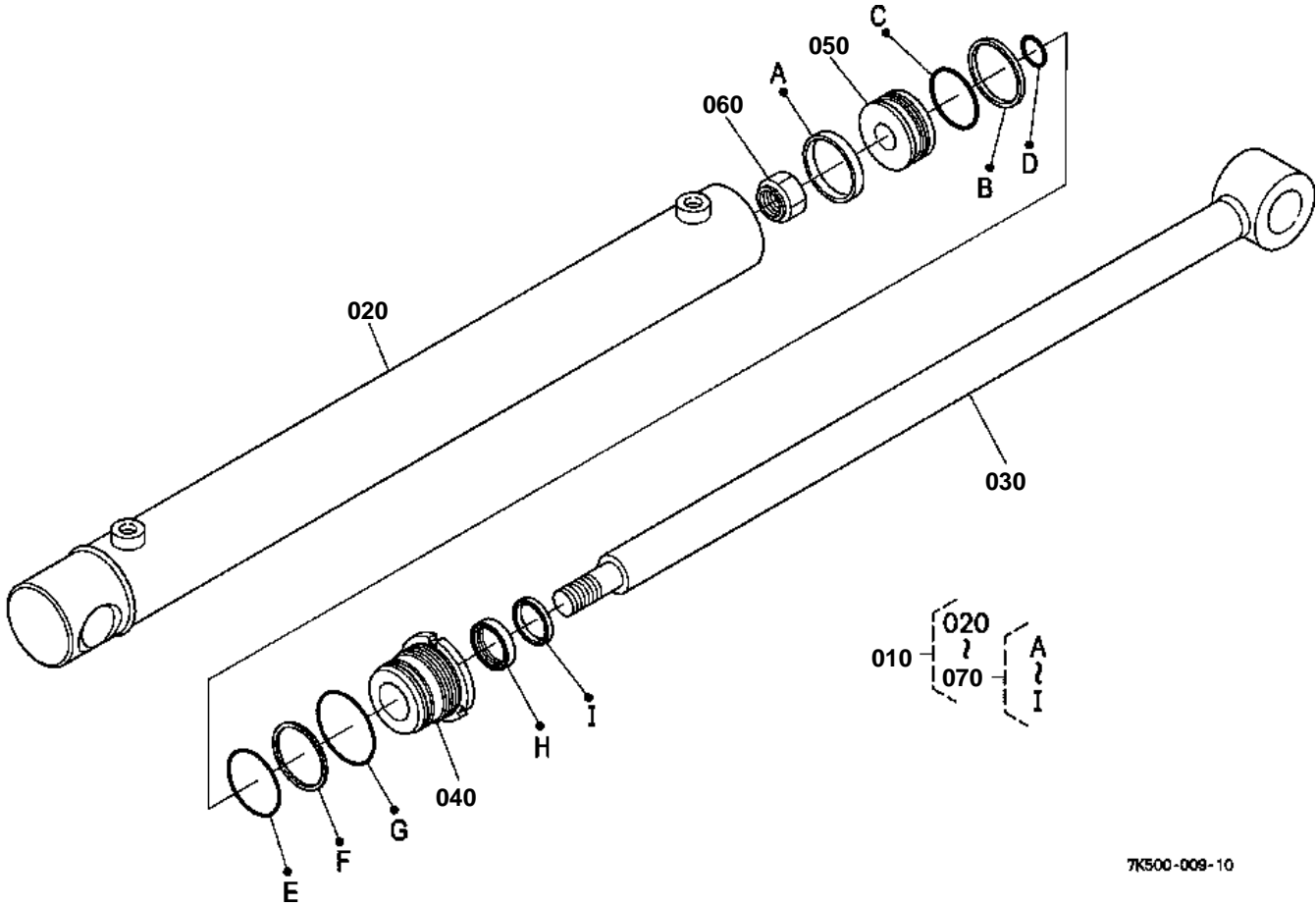


CYLINDER(BOOM) [COMPONENT PARTS]

↔ Interchangeable; ≠ not interchangeable; ← new for old; → old for new

REF.No	Part No.	Description	Q'ty	S.No.	I/C	REMARKS	Weight (kgf)	Weight (lb)
010	7K500-22010	ASSY CYLINDER BOOM	1				1.3	2.86
020	7K500-22030	COMP.TUBE BOOM	1				9	19.8
030	7K500-22050	COMP.ROD BOOM	1				3.7	8.14
040	7K500-22110	HEAD	1			70*35	1.084	2.3848
050	7K500-22210	PISTON(BOOM 70X35)	1				1.86	4.092
060	7K500-13250	NUT	1			M24*2	0.097	0.2134
070	7K500-22300	KIT SEAL(BOOM 70X35)	1				0.038	0.0836

CYLINDER(DIPPER) [COMPONENT PARTS]



7K500-009-10

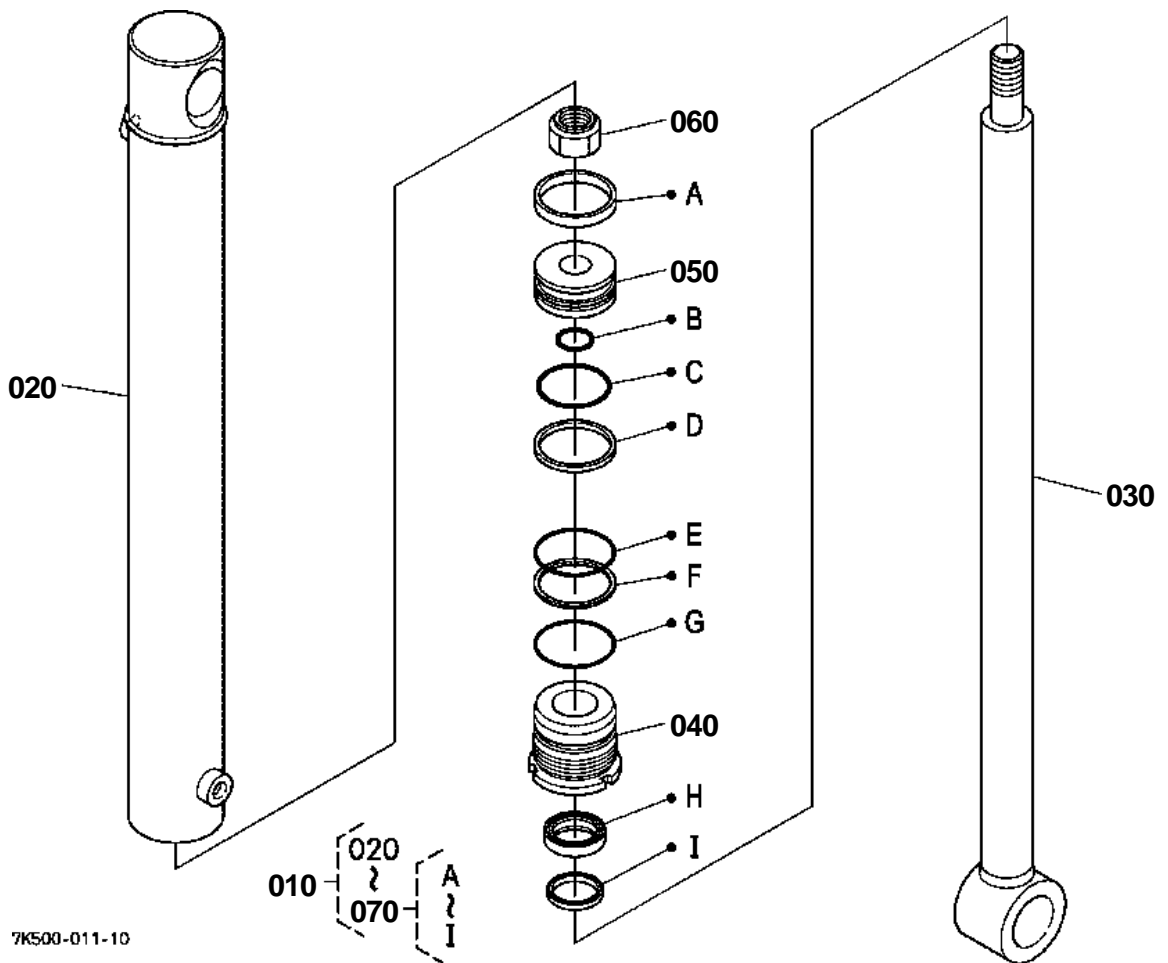


CYLINDER(DIPPER) [COMPONENT PARTS]

↔ Interchangeable; ≠ not interchangeable; ← new for old; → old for new

REF.No	Part No.	Description	Q'ty	S.No.	I/C	REMARKS	Weight (kgf)	Weight (lb)
010	7K500-32010	ASSY CYLINDER DIPPER	1				17.2	37.84
020	7K500-32030	COMP.TUBE DIPPER	1				9.45	20.79
030	7K500-32050	COMP.ROD DIPPER	1				4	8.8
040	7K500-32110	HEAD	1			65*35	0.895	1.969
050	7K500-32210	PISTON	1			65*35	0.565	1.243
060	7K500-13250	NUT	1			M24*2	0.097	0.2134
070	7K500-32300	KIT SEAL	1			65*35	0.03	0.066

CYLINDER(BUCKET) [COMPONENT PARTS]



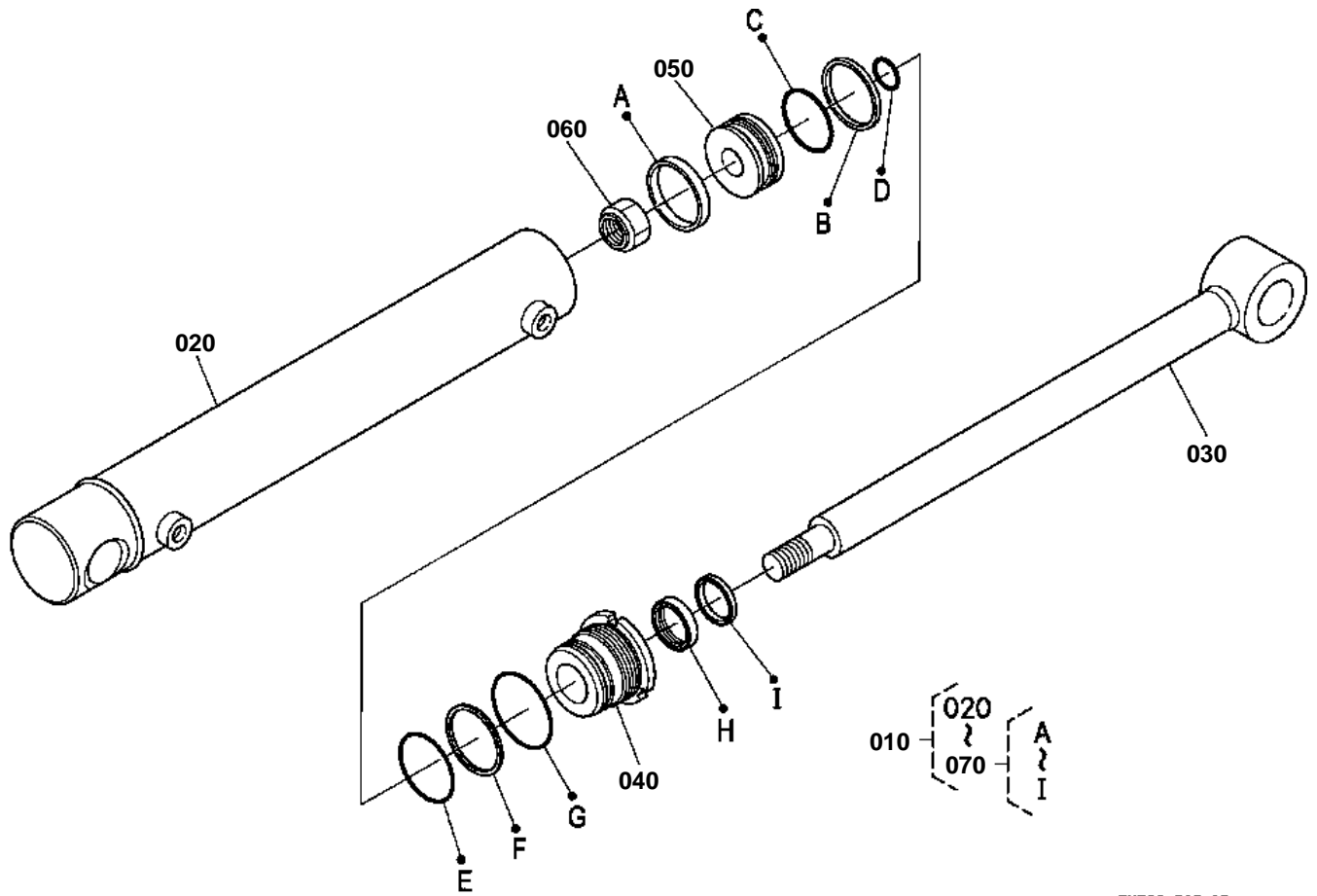


CYLINDER(BUCKET) [COMPONENT PARTS]

↔ Interchangeable; ≠ not interchangeable; ← new for old; → old for new

REF.No	Part No.	Description	Q'ty	S.No.	I/C	REMARKS	Weight (kgf)	Weight (lb)
010	7K500-43010	ASSY CYLINDER BUCKET	1	<=12269		NOT SALE	15	33
010	7K500-43012	ASSY CYLINDER BUCKET	1	>=12270	-		15	33
020	7K500-43030	COMP.TUBE BUCKET	1				7.32	16.104
030	7K500-43050	COMP.ROD BUCKET	1	<=12269			3.9	8.58
030	7K500-43052	COMP.ROD BUCKET	1	>=12270	1		3.9	8.58
040	7K500-13110	HEAD	1	<=12269		65*35	0.7	1.54
040	7K500-43110	HEAD	1	>=12270	1	60*40	0	0
050	7K500-43210	PISTON	1			60*35	0.46	1.012
060	7K500-13250	NUT	1			M24*2	0.097	0.2134
070	7K500-43300	KIT SEAL	1	<=12269		60*35	0.03	0.066
070	7K500-43302	KIT SEAL	1	>=12270	1	60*40	0.03	0.066

CYLINDER(STABILIZER) [COMPONENT PARTS]



7K500-013-10

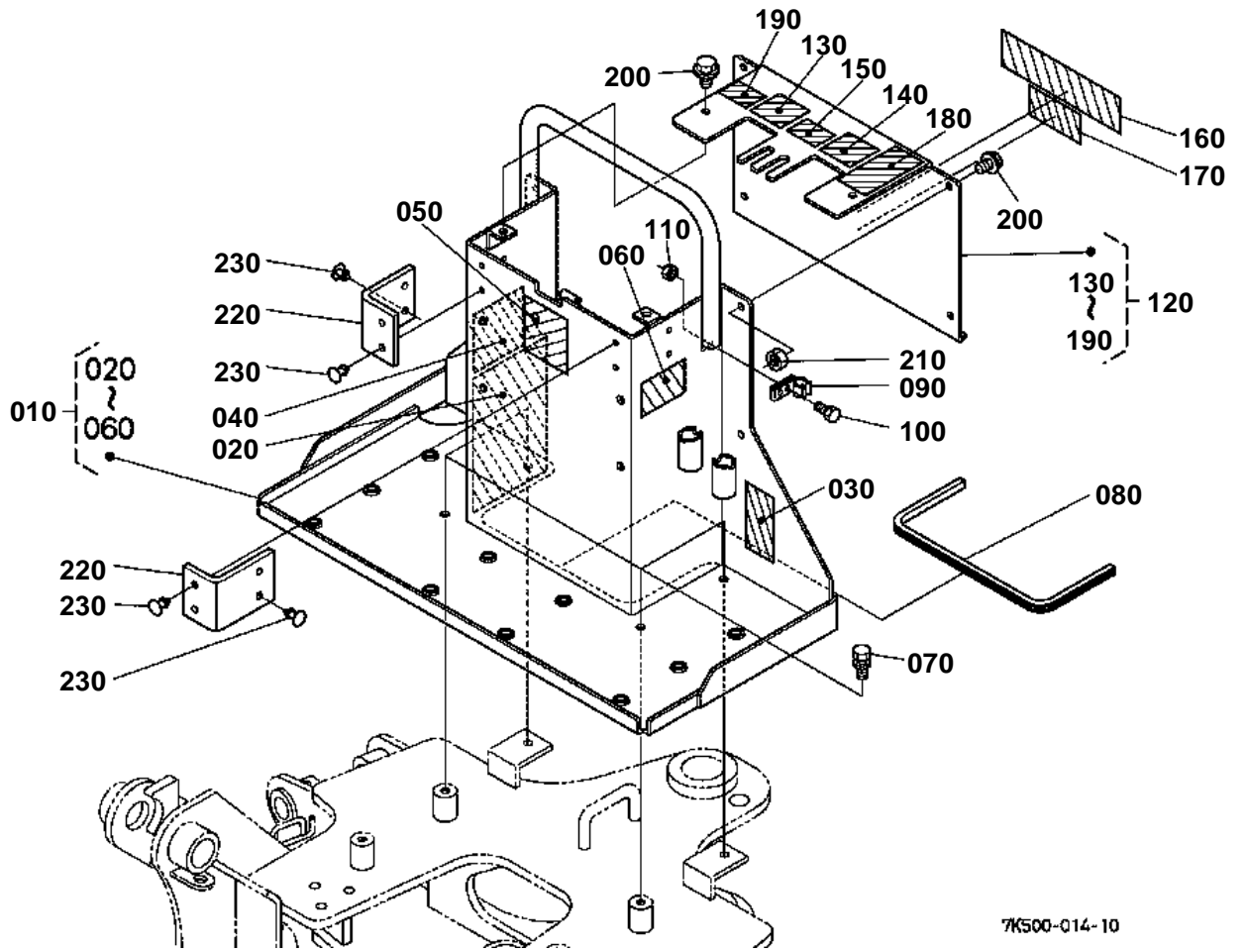


CYLINDER(STABILIZER) [COMPONENT PARTS]

↔ Interchangeable; ≠ not interchangeable; ← new for old; → old for new

REF.No	Part No.	Description	Q'ty	S.No.	I/C	REMARKS	Weight (kgf)	Weight (lb)
010	7K500-52010	ASSY CYLINDER STABI.	2				12	26.4
020	7K500-52030	COMP TUBE STABI.	2				7	15.4
030	7K500-52050	COMP ROD STABI.	2				4.16	9.152
040	7K500-32110	HEAD	2			65*35	0.895	1.969
050	7K500-32210	PISTON	2			65*35	0.565	1.243
060	7K500-13250	NUT	2			M24*2	0.097	0.2134
070	7K500-32300	KIT SEAL	2			65*35	0.03	0.066

STEP

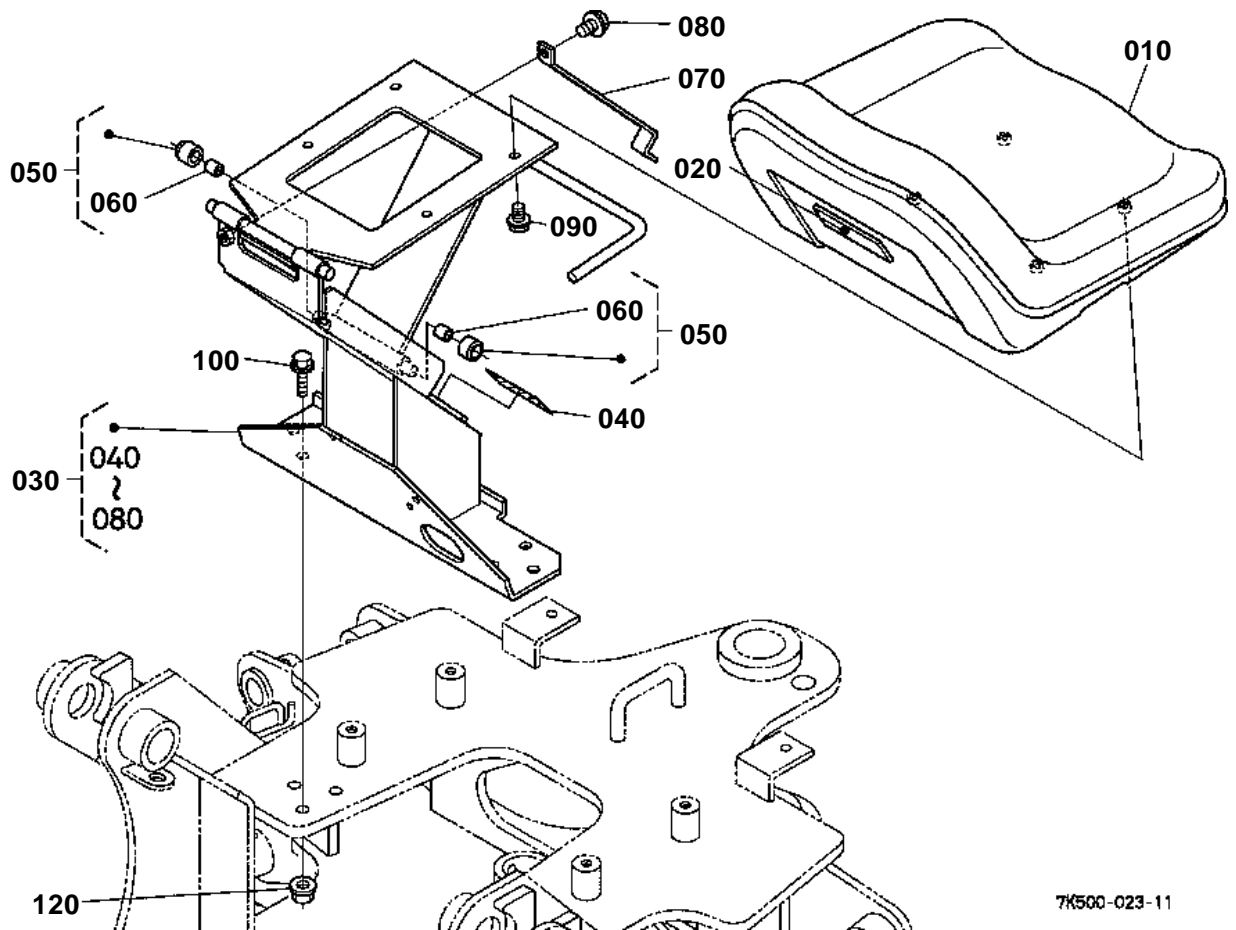




STEP

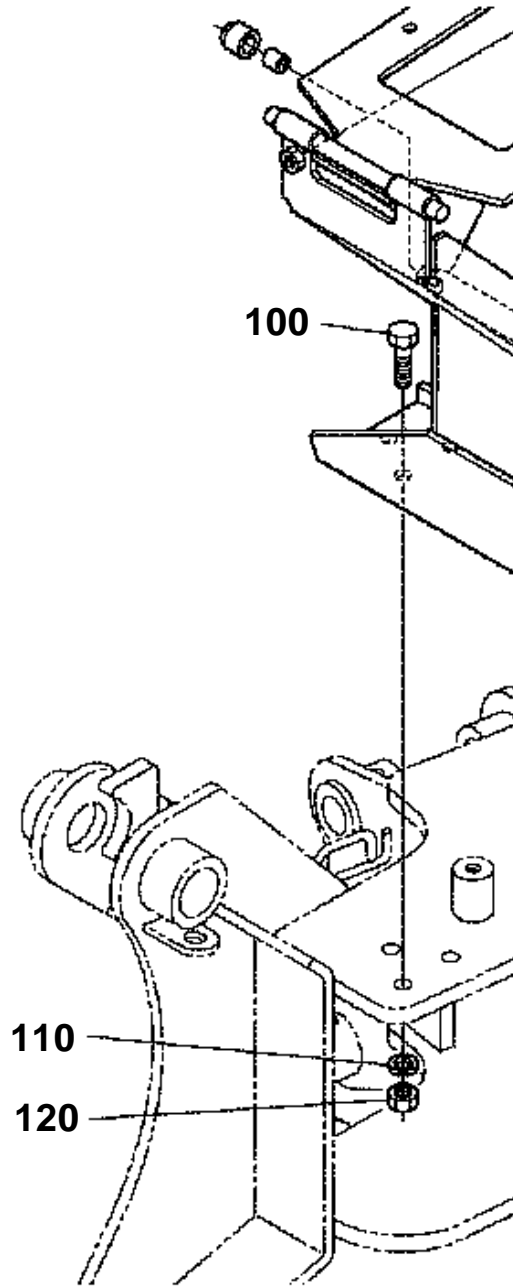
↔ Interchangeable; ≠ not interchangeable; ← new for old; → old for new

REF.No	Part No.	Description	Q'ty	S.No.	I/C	REMARKS	Weight (kgf)	Weight (lb)
010	7K500-90130	STEP(LABEL)	1				19.5	42.9
020	7K500-75150	LABEL INSTRUCTION	1				0.024	0.0528
030	75595-75240	LABEL 2 WARNING	1				0.007	0.0154
040	75590-75270	LABEL 2 CAUTION	1				0.007	0.0154
050	75597-75280	LABEL 3 WARNING	1				0.003	0.0066
060	75595-75293	LABEL 4 WARNING	1				0.01	0.022
070	01133-51030	BOLT	4				0.025	0.055
080	75590-61180	GUARD HOSE	1				0.02	0.044
090	33251-83900	SPRING BONNET HOLDER	1				0.008	0.0176
100	01053-50512	BOLT	2				0.002	0.0044
110	02054-50050	NUT	2				0.002	0.0044
120	7K500-90140	COVER VALVE(LABEL)	1				2.5	5.5
130	75598-75110	LABEL1 CONTROL LEVER	1				0.001	0.0022
140	75598-75120	LABEL2 CONTROL LEVER	1				0.001	0.0022
150	75598-75130	LABEL3 CONTROL LEVER	1				0.001	0.0022
160	7K500-75140	LABEL BH90	1				0.017	0.0374
170	75597-75172	LABEL DANGER	1				0.006	0.0132
180	7K500-75320	LABEL 2 SEAT WARNING	1				0	0
190	7K500-75330	LABEL IMPORTANT	1				0	0
200	01754-50814	BOLT FLANGE	6				0.005	0.011
210	02114-50080	NUT	4				0.005	0.011
220	7K500-61260	CUSHION PROTECTOR	2				0.02	0.044
230	K1211-84560	PUSH RIVET 1/4	8			1/4	0.002	0.0044



7K500-023-11

OLD PART



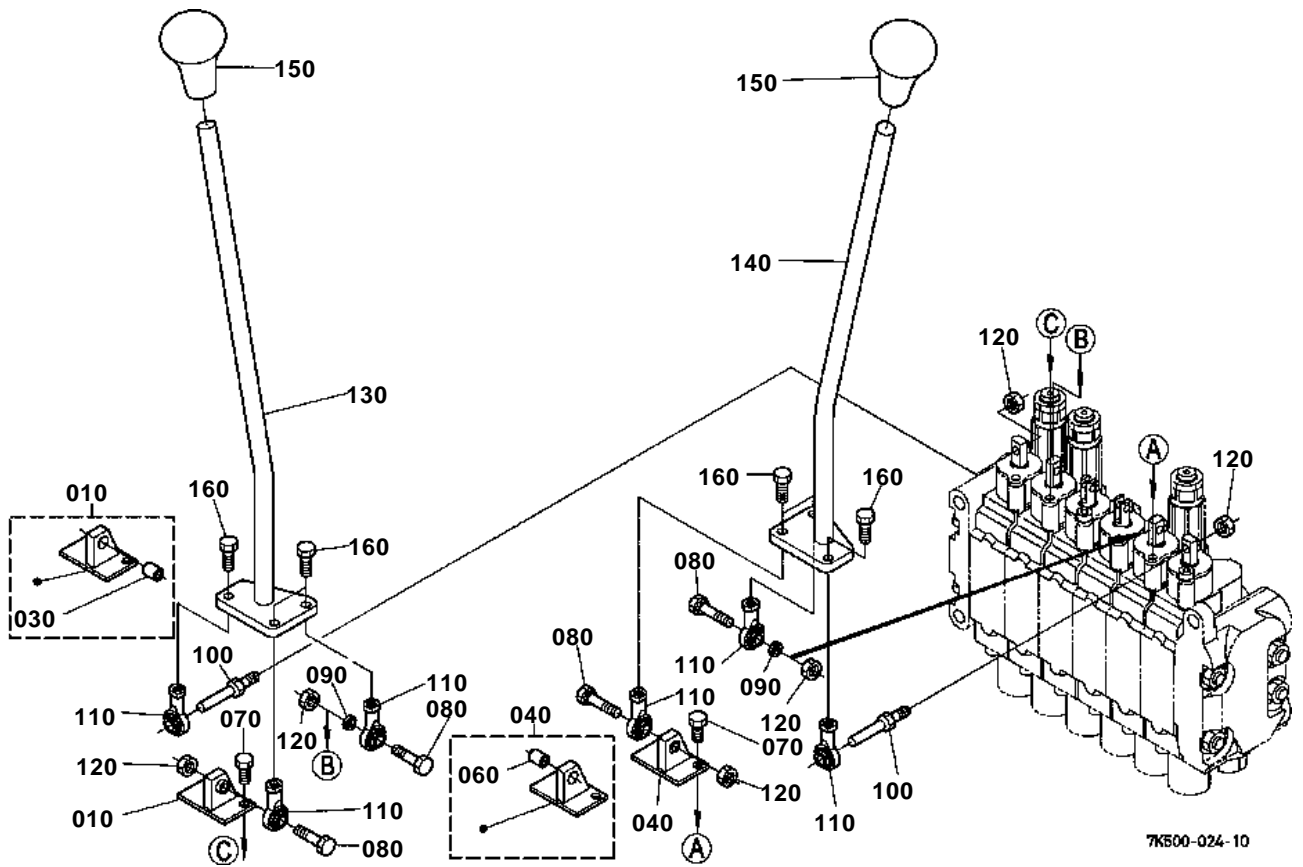
7K500-800-10

**SEAT**

↔ Interchangeable; ≠ not interchangeable; ← new for old; → old for new

REF.No	Part No.	Description	Q'ty	S.No.	I/C	REMARKS	Weight (kgf)	Weight (lb)
010	7K500-66010	SEAT	1				8	17.6
020	TD060-40060	CUSHION FRONT PILLAR	1				0.04	0.088
030	7K500-90150	SUPPORT SEAT(LABEL)	1				13.4	29.48
040	7K500-75310	LABEL SEAT WARNING	1				0.004	0.0088
050	7K500-66272	ASSY COLLAR FULCRUM	2				0.028	0.0616
060	08511-01215	BUSH	2				0.005	0.011
070	7K500-66260	PLATE 2 STOPPER	1				0	0
080	01754-50616	BOLT FLANGE	2				0.006	0.0132
090	0Y171-50508	BOLT FLANGE	4				0.015	0.033
100	01073-51240	BOLT	6	<=12269			0.049	0.1078
100	01774-61235	BOLT FLANGE	6	>=12270	-		0	0
110	04512-60120	WASHER SPRING	6	<=12269			0.005	0.011
120	02074-50120	NUT	6	<=12269			0.015	0.033
120	02771-50120	NUT FLANGE	6	>=12270	-		0.018	0.0396

CONTROL LEVER 1



7K500-024-10

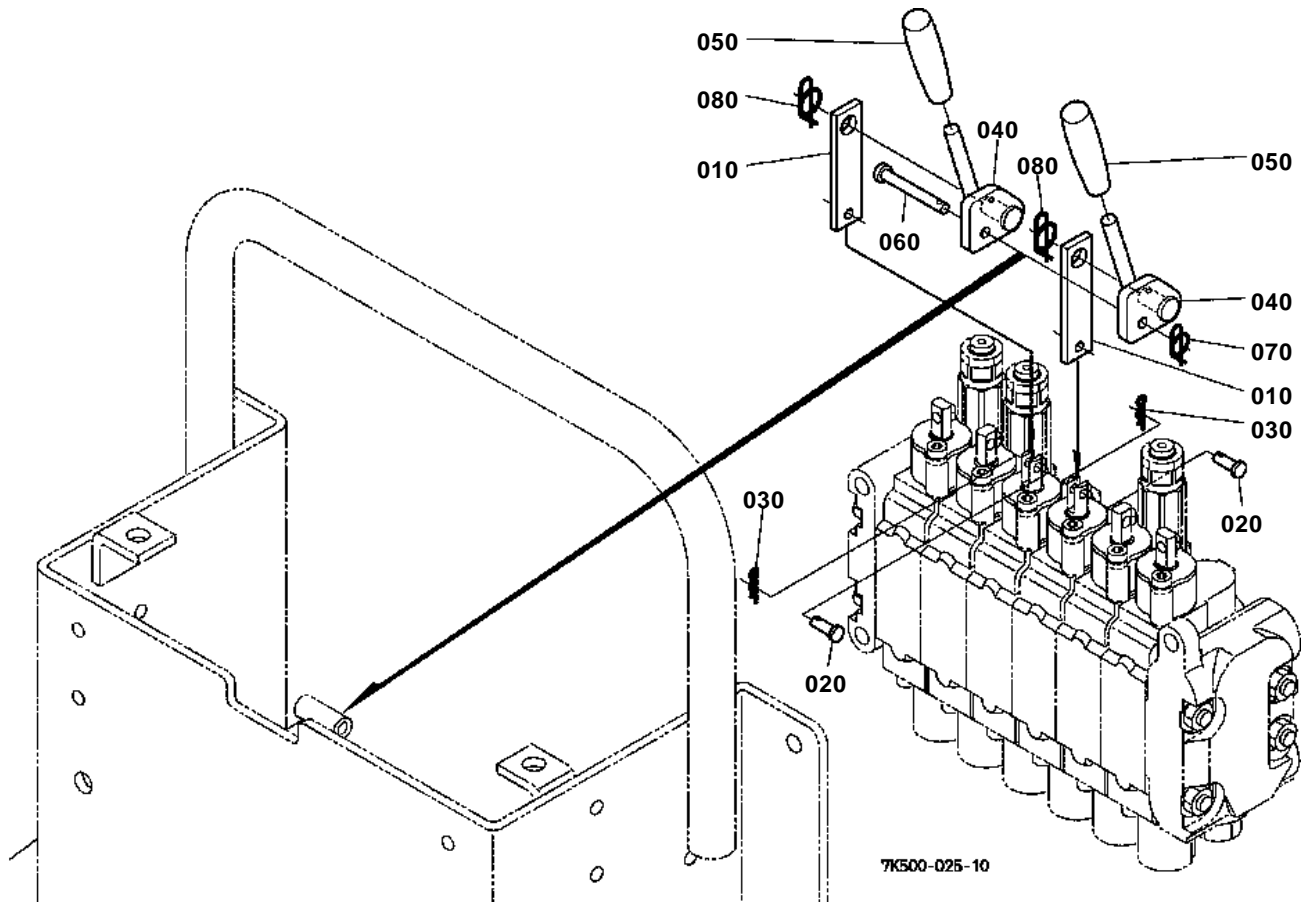


CONTROL LEVER 1

↔ Interchangeable; ≠ not interchangeable; ← new for old; → old for new

REF.No	Part No.	Description	Q'ty	S.No.	I/C	REMARKS	Weight (kgf)	Weight (lb)
010	7K500-71110	ASSY BRACKET LEVER L	1				0.05	0.11
020	99999-99999	BLANK	0				0	0
030	08511-00608	BUSH	1				0.003	0.0066
040	7K500-71120	ASSY BRACKET LEVER R	1				0.05	0.11
050	99999-99999	BLANK	0				0	0
060	08511-00608	BUSH	1				0.003	0.0066
070	01053-50512	BOLT	4				0.002	0.0044
080	7K500-71510	BOLT 1 FULCRUM	4				0.01	0.022
090	7K500-71520	SPACER	2				0.001	0.0022
100	7K500-71530	BOLT 2 FULCRUM	2				0.014	0.0308
110	36730-81960	END ROD 1	6				0.025	0.055
120	02014-50060	NUT	6				0.002	0.0044
130	7K500-72110	LEVER CONTROL L	1				0.41	0.902
140	7K500-72130	LEVER CONTROL R	1				0.41	0.902
150	31355-82520	GRIP LEVER	2				0.05	0.11
160	01053-50616	BOLT	6				0.005	0.011

CONTROL LEVER 2

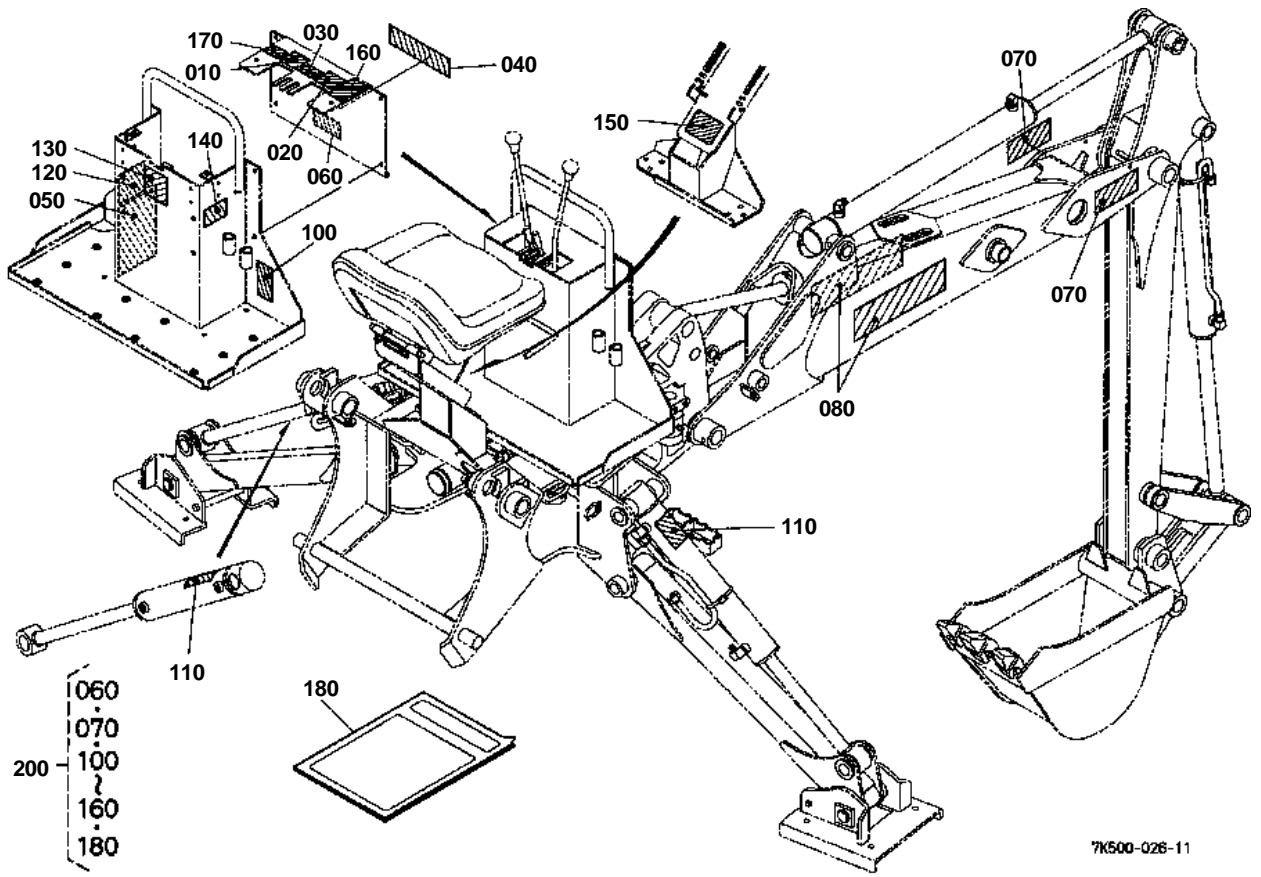




CONTROL LEVER 2

↔ Interchangeable; ≠ not interchangeable; ← new for old; → old for new

REF.No	Part No.	Description	Q'ty	S.No.	I/C	REMARKS	Weight (kgf)	Weight (lb)
010	7K500-72260	PLATE LEVER STABI.	2				0.032	0.0704
020	RP421-65190	PIN JOINT	2			4.75	0.003	0.0066
030	05525-60500	PIN SNAP	2				0.001	0.0022
040	75598-72210	LEVER 2 CONTROL	2				0.07	0.154
050	31391-18560	GRIP LEVER	2				0.01	0.022
060	05122-50840	PIN JOINT	1				0.017	0.0374
070	K1211-91120	RUE RING COTTER	1			5/16	0.001	0.0022
080	K1211-91130	RUE RING COTTER	2			3/8	0.01	0.022



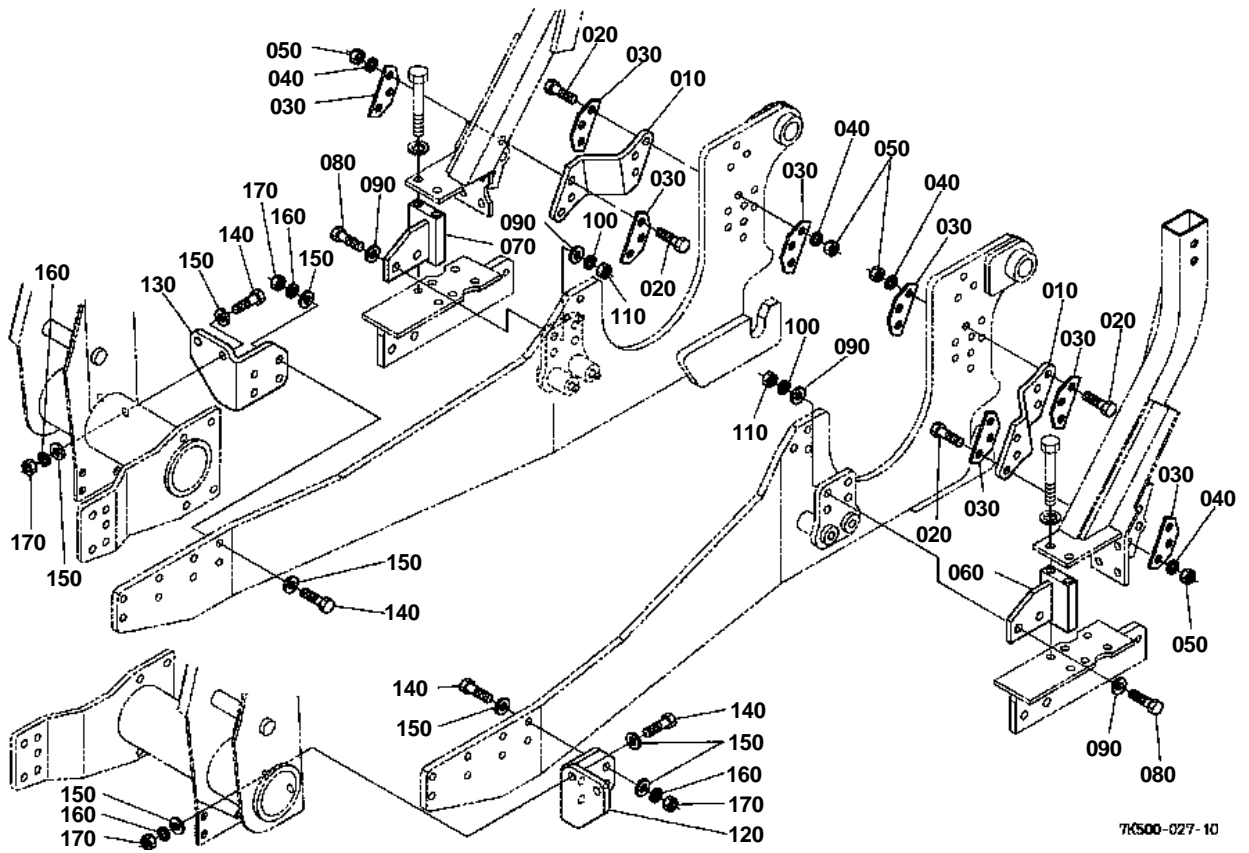
7KS00-026-11

**LABEL**

↔ Interchangeable; ≠ not interchangeable; ← new for old; → old for new

REF.No	Part No.	Description	Q'ty	S.No.	I/C	REMARKS	Weight (kgf)	Weight (lb)
010	75598-75110	LABEL1 CONTROL LEVER	1				0.001	0.0022
020	75598-75120	LABEL2 CONTROL LEVER	1				0.001	0.0022
030	75598-75130	LABEL3 CONTROL LEVER	1				0.001	0.0022
040	7K500-75140	LABEL BH90	1				0.017	0.0374
050	7K500-75150	LABEL INSTRUCTION	1			ENGLISH	0.024	0.0528
060	75597-75172	LABEL DANGER	1			ENGLISH	0.006	0.0132
060	75597-95170	LABEL DANGER(F)	1			FRENCH	0.001	0.0022
070	75595-75170	LABEL 1 WARNING	2			ENGLISH	0.004	0.0088
070	75595-95170	LABEL 1 WARNING CF	2			FRENCH	0.007	0.0154
080	TD060-80930	LABEL KUBOTA	2				0.007	0.0154
090	99999-99999	BLANK	0				0	0
100	75595-75240	LABEL 2 WARNING	1			ENGLISH	0.007	0.0154
100	75595-95240	LABEL 2 WARNING CF	1			FRENCH	0	0
110	75590-75260	LABEL SWING	2			ENGLISH	0.003	0.0066
110	75590-95260	LABEL SWING	2			FRENCH	0.001	0.0022
120	75590-75270	LABEL 2 CAUTION	1			ENGLISH	0.007	0.0154
120	75595-95270	LABEL 2 CAUTION CF	1			FRENCH	0.001	0.0022
130	75597-75280	LABEL 3 WARNING	1			ENGLISH	0.003	0.0066
130	75597-95280	LABEL 3 WARNING (F)	1			FRENCH	0.2	0.44
140	75595-75293	LABEL 4 WARNING	1			ENGLISH	0.01	0.022
140	75595-95290	LABEL 4 WARNING CF	1			FRENCH	0.001	0.0022
150	7K500-75310	LABEL SEAT WARNING	1			ENGLISH	0.004	0.0088
150	7K500-95310	LABEL SEAT WARNING	1			FRENCH	0.01	0.022
160	7K500-75320	LABEL 2 SEAT WARNING	1			ENGLISH	0	0
160	7K500-95320	LABEL 2 SEAT WARNING	1			FRENCH	0	0
170	7K500-75330	LABEL IMPORTANT	1			ENGLISH	0	0
180	7K500-79910	OPERATOR'S MANUAL	1			ENGLISH	0.104	0.2288
180	7K500-95910	OPERATOR'S MANUAL(FR)	1			FRENCH	0.12	0.264
190	99999-99999	BLANK	0				0	0
200	7K500-95104	KIT FRENCH BH90	1			FRENCH	0	0

MOUNT KIT(AB)



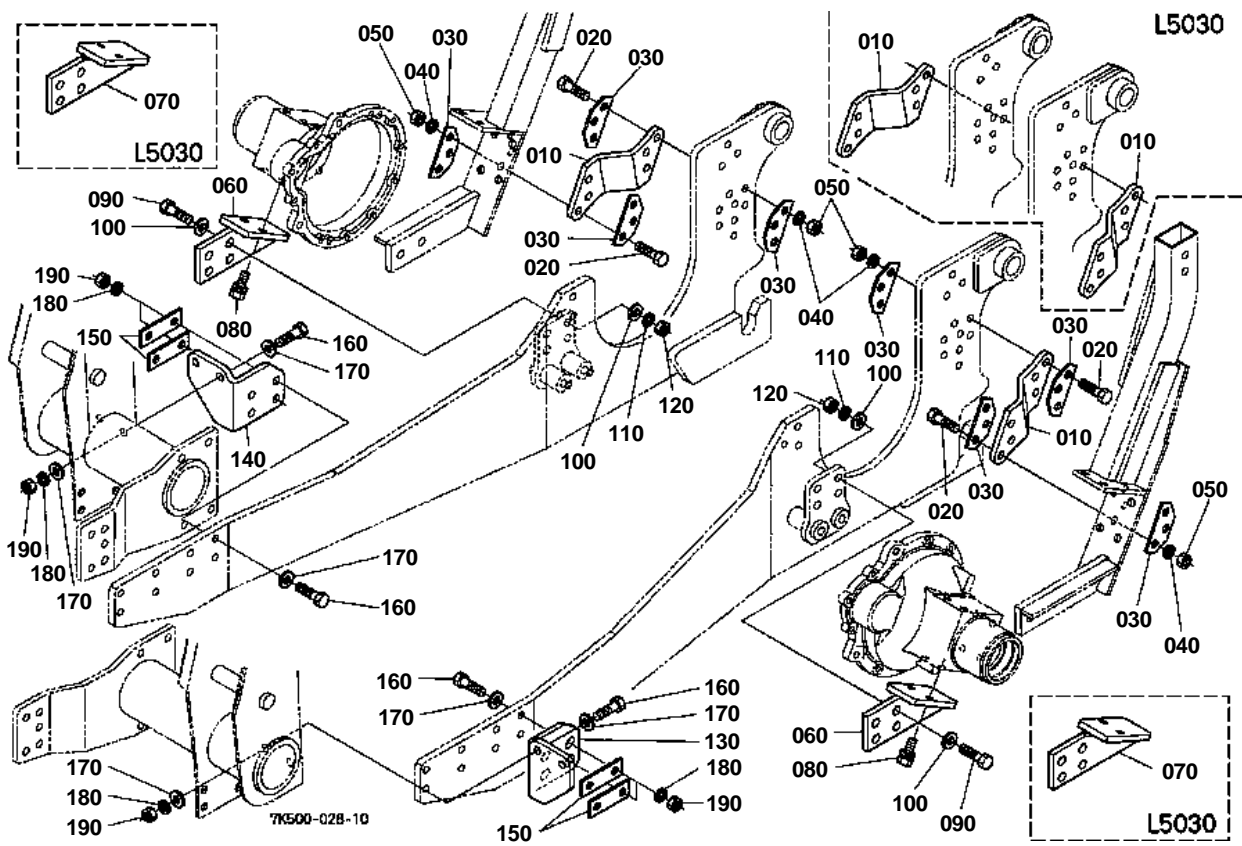


MOUNT KIT(AB)
[for L3130,L3430]

↔ Interchangeable; ≠ not interchangeable; ← new for old; → old for new

REF.No	Part No.	Description	Q'ty	S.No.	I/C	REMARKS	Weight (kgf)	Weight (lb)
010	7K500-16520	SUPPORT FRAME(AB)	2				0	0
020	01073-51655	BOLT	12				0.12	0.264
030	7K500-16540	WASHER LOCKING	8				0.142	0.3124
040	04512-60160	WASHER SPRING	12				0.01	0.022
050	02076-50160	NUT	12				0.03	0.066
060	7K500-16610	BRACKET LH REAR AB	1				2.2	4.84
070	7K500-16620	BRACKET RH REAR AB	1				2.2	4.84
080	01073-51655	BOLT	4				0.12	0.264
090	75599-32517	WASHER PLAIN	8				0.016	0.0352
100	04512-60160	WASHER SPRING	4				0.01	0.022
110	02076-50160	NUT	4				0.03	0.066
120	7K500-16420	BRACKET LH FRONT AB	1				1.798	3.9556
130	7K500-16430	BRACKET RH FRONT AB	1				2.598	5.7156
140	01073-51655	BOLT	12				0.12	0.264
150	75599-32517	WASHER PLAIN	24				0.016	0.0352
160	04512-60160	WASHER SPRING	12				0.01	0.022
170	02076-50160	NUT	12				0.03	0.066

MOUNT KIT(C-F)





MOUNT KIT(C-F)
[for L3830,L4330,L4630,L5030]

↔ Interchangeable; ≠ not interchangeable; ← new for old; → old for new

REF.No	Part No.	Description	Q'ty	S.No.	I/C	REMARKS	Weight (kgf)	Weight (lb)
010	7K500-16510	SUPPORT FRAME	2				1.766	3.8852
020	01073-51655	BOLT	12				0.12	0.264
030	7K500-16540	WASHER LOCKING	8				0.142	0.3124
040	04512-60160	WASHER SPRING	12				0.01	0.022
050	02076-50160	NUT	12				0.03	0.066
060	7K500-16640	BRACKET REAR CDE	2			for L3830 L4330 L4630	2.6	5.72
070	7K500-16650	BRACKET REAR F	2			for L5030	2.7	5.94
080	01133-51430	BOLT	4				0.001	0.0022
090	01073-51655	BOLT	8				0.12	0.264
100	75599-32517	WASHER PLAIN	16				0.016	0.0352
110	04512-60160	WASHER SPRING	8				0.01	0.022
120	02076-50160	NUT	8				0.03	0.066
130	7K500-16440	BRACKET LH FRONT C-F	1				2.8	6.16
140	7K500-16450	BRACKET RH FRONT C-F	1				2.8	6.16
150	7K500-16460	WASHER 2 LOCKING	4				0.13	0.286
160	01073-51655	BOLT	12				0.12	0.264
170	75599-32517	WASHER PLAIN	16				0.016	0.0352
180	04512-60160	WASHER SPRING	12				0.01	0.022
190	02076-50160	NUT	12				0.03	0.066