

Instructions for Parts Books

The heading at the top of the page will be the same for the picture of the parts as it is for the page with the part numbers.

Definition of column headings on part number pages:

REF.No → The number referring to the part on the picture page of the parts book.

Part No. → The number assigned to this part at the time of printing the parts book.

Description → Description of part.

Q'ty → Quantity of part used on that page.

S.No. → Serial number range of the equipment that this part will fit.

>= Your serial number should be greater than or equal to the number shown.

<= Your serial number should be lesser than or equal to the serial number shown.

I/C → Interchangeability of part shown.

↔ The part shown will work for the older and later serial number.

The part shown is not interchangeable with the other serial number.

← new for old

→ old for new

Remarks → Notes about this particular part. Sometimes this may say except [FR] or [CA]

Note about Country Codes:

The parts books we use in the United States of America may also contain information about a part that would be different in another country. It is important that you are aware of the country codes in some instances.

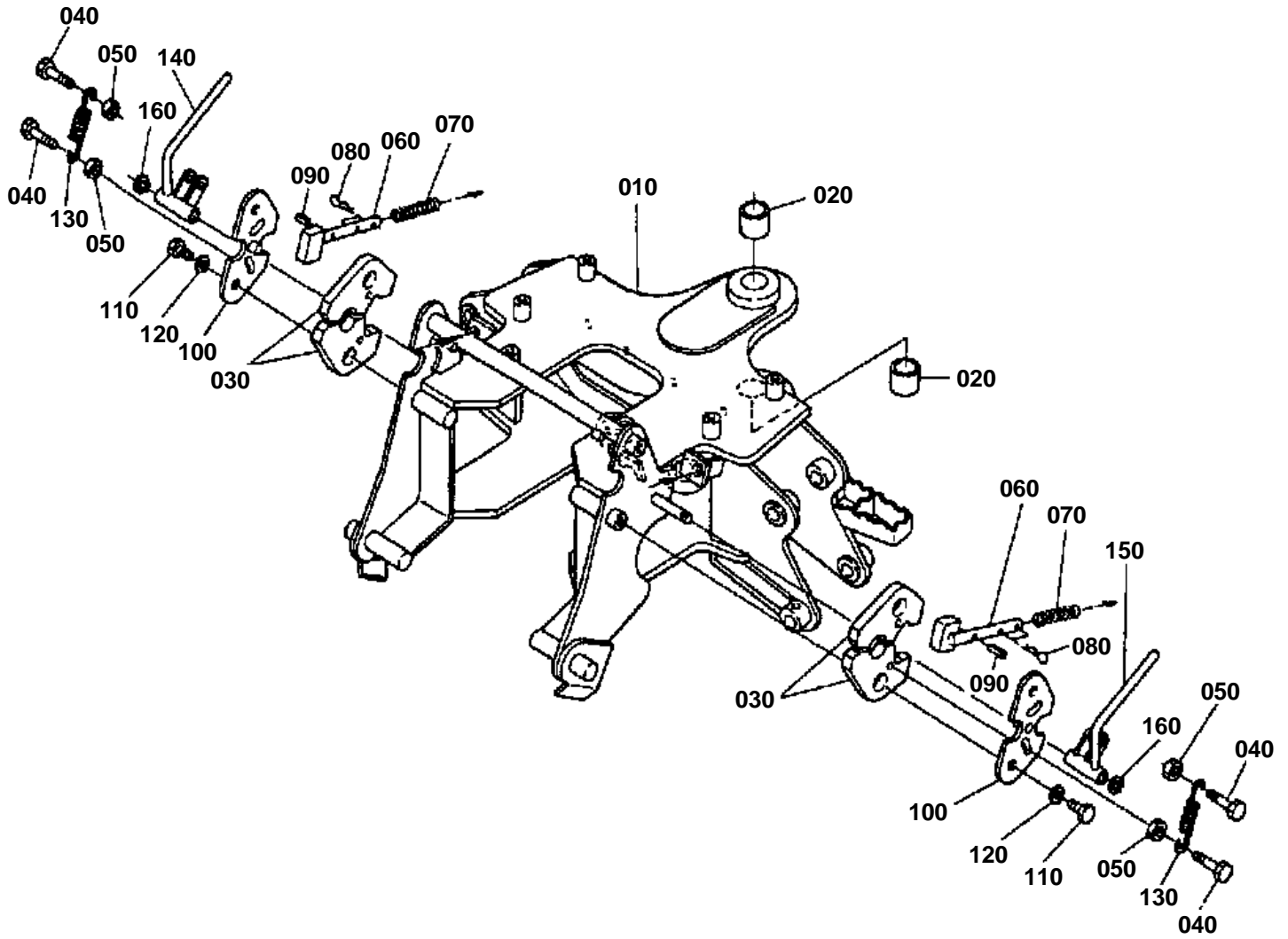
Symbol	Country
A	United States of America
CA	Canada
FR	France
GR	Greece
PO	Portugal
AU	Australia

If the remarks column says for example EXCEPT [FR] this part works in all countries except France. That means it will work here in the USA.

BT 751 Backhoe Description

Part No.		Book
01B01	MAIN FRAME	100A0128
01B02	SWING FRAME	100A0128
01B03	SWING CYLINDER	100A0128
01B04	SWING CYLINDER (COMPONENT PARTS)	100A0128
01B05	BOOM	100A0128
01B06	BOOM CYLINDER (COMPONENT PARTS)	100A0128
01B07	DIPPERSTICK	100A0128
01B08	DIPPERSTICK CYLINDER (COMPONENT PARTS)	100A0128
01B09	BUCKET LINK	100A0128
01B10	BUCKET CYLINDER (COMPONENT PARTS)	100A0128
01B11	BUCKET	100A0128
01B13	STABILIZER ARM	100A0128
01B14	STABILIZER CYLINDER LH (COMPONENT PARTS)	100A0128
01B15	STABILIZER CYLINDER RH (COMPONENT PARTS)	100A0128
01B16	STEP	100A0128
01B17	CONTROL VALVE	100A0128
01B18	CONTROL VALVE (COMPONENT PARTS)	100A0128
01B20	HYDRAULIC HOSE (INLET/OUTLET)	100A0128
01B21	HYDRAULIC HOSE (INLET/OUTLET)	100A0128
01B22	HYDRAULIC HOSE (BOOM DIPPERSTICK)	100A0128
01B23	HYDRAULIC HOSE (BUCKET)	100A0128
01B24	HYDRAULIC HOSE (STABILIZER)	100A0128
01B25	CONTROL LEVER 1	100A0128
01B26	CONTROL LEVER 2	100A0128
01B27	LABEL	100A0128
01B28	ACCESSORIES AND SERVICE PARTS	100A0128

MAIN FRAME

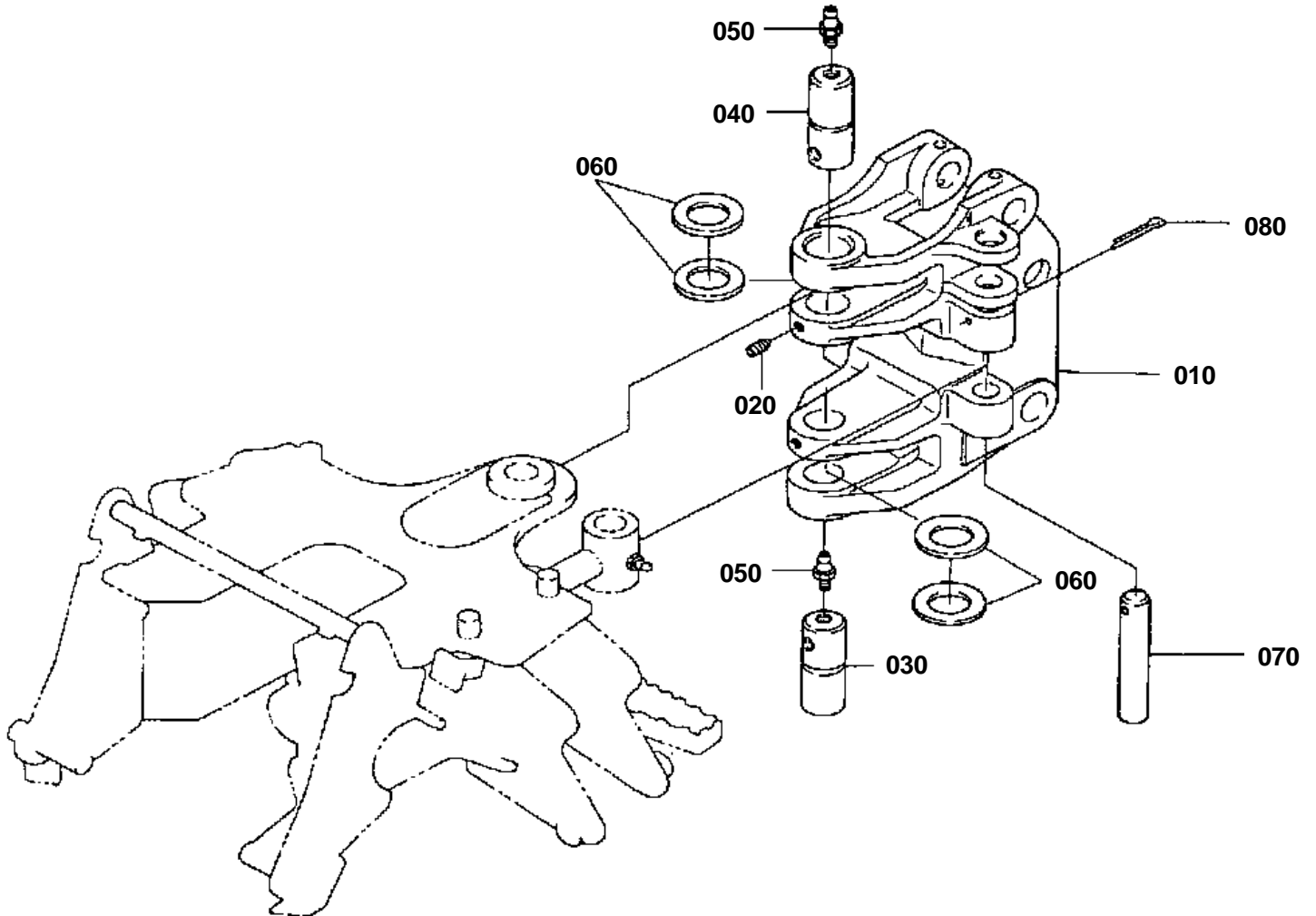


**MAIN FRAME**

↔ Interchangeable; ≠ not interchangeable; ← new for old; → old for new

REF.No	Part No.	Description	Q'ty	S.No.	I/C	REMARKS	Weight (kgf)	Weight (lb)
010	75596-11010	COMP FRAME MAIN	1				0	0
020	75596-12250	BUSHING	2			1.58*1.23	0	0
030	75595-11512	HOLDER MOUNT	4				0	0
040	75599-01230	HEX.BOLT	4			5/16-18UNC*1 1/2	0	0
050	75599-31012	HEX.NUT	4			5/16-18UNC	0	0
060	75595-11520	PIN SET	2				0	0
070	75595-11540	SPRING	2				0	0
080	75595-11550	PIN SPRING LOCK	2				0	0
090	75599-52735	PIN SPRING	2			5/16*1 3/4	0	0
100	75595-11562	COMP PLATE HOLDER	2	10007			0	0
100	75595-11563	COMP PLATE HOLDER	2	10008	≠		0	0
110	75599-04725	HEX.BOLT	4			5/8-18UNF*1 1/4	0	0
120	75599-33017	WASHER SPRING LOCK	4			5/8	0	0
130	75595-11572	SPRING	2				0	0
140	75596-11610	LEVER LH	1				0	0
150	75596-11620	LEVER RH	1				0	0
160	75599-41525	CIR-CLIP EXTERNAL	2			3/4	0	0

SWING FRAME



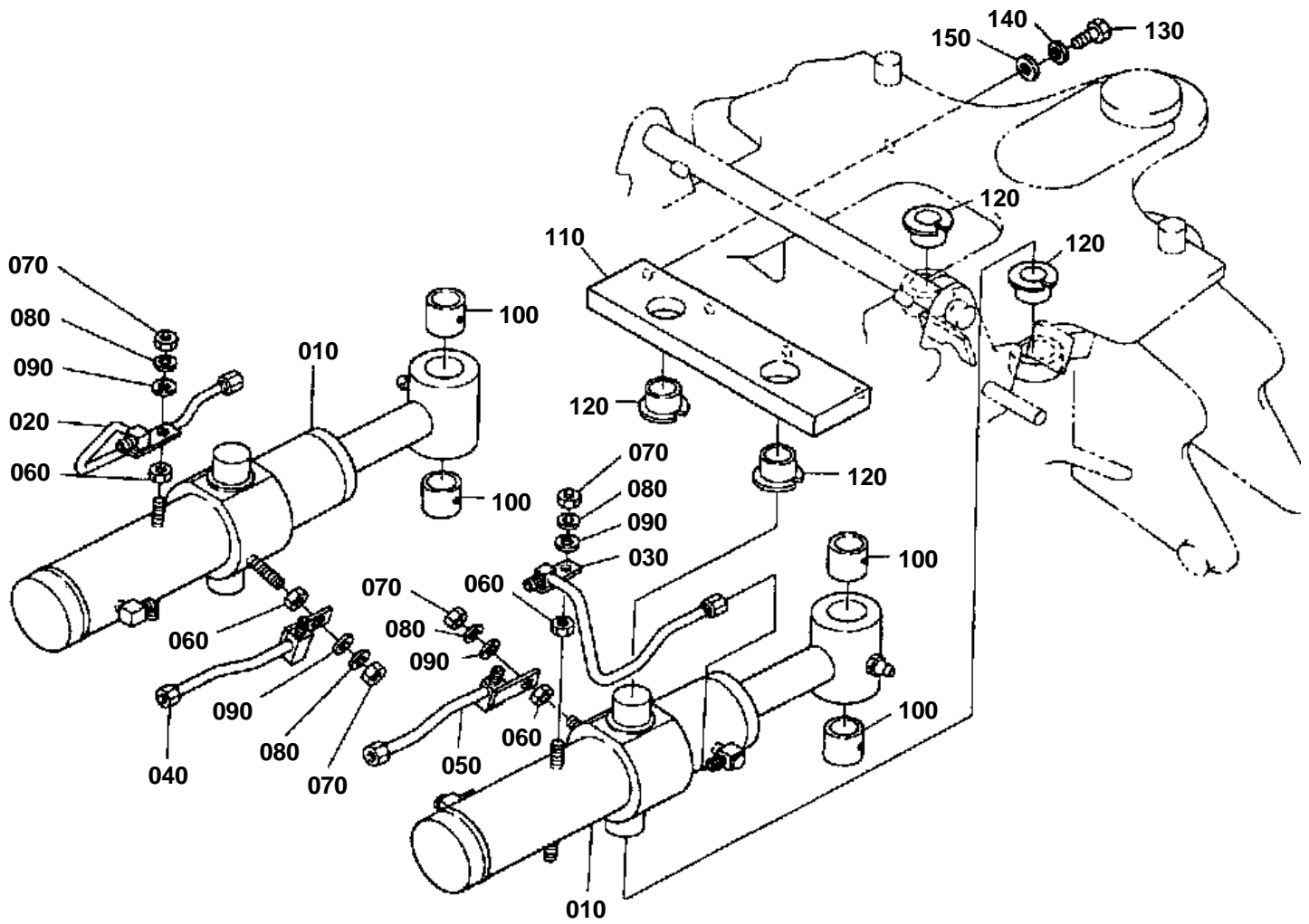


SWING FRAME

↔ Interchangeable; ≠ not interchangeable; ← new for old; → old for new

REF.No	Part No.	Description	Q'ty	S.No.	I/C	REMARKS	Weight (kgf)	Weight (lb)
010	75590-12114	FRAME SWING	1				0	0
020	75599-08315	SCREW SET	2			3/8-24UNF*3/4	0	0
030	78620-12212	PIN 1	1			40*104	0.95	2.09
040	78620-12222	PIN 2	1			40*104	1	2.2
050	75599-81531	FITTING GREASE	2			1/8-27PTF	0	0
060	75596-12260	COLLAR THRUST	4				0	0
070	75596-14150	PIN	2			0.98*5.90	0	0
080	75599-53229	PIN COTTER	2			7/32*2 1/2	0	0

SWING CYLINDER



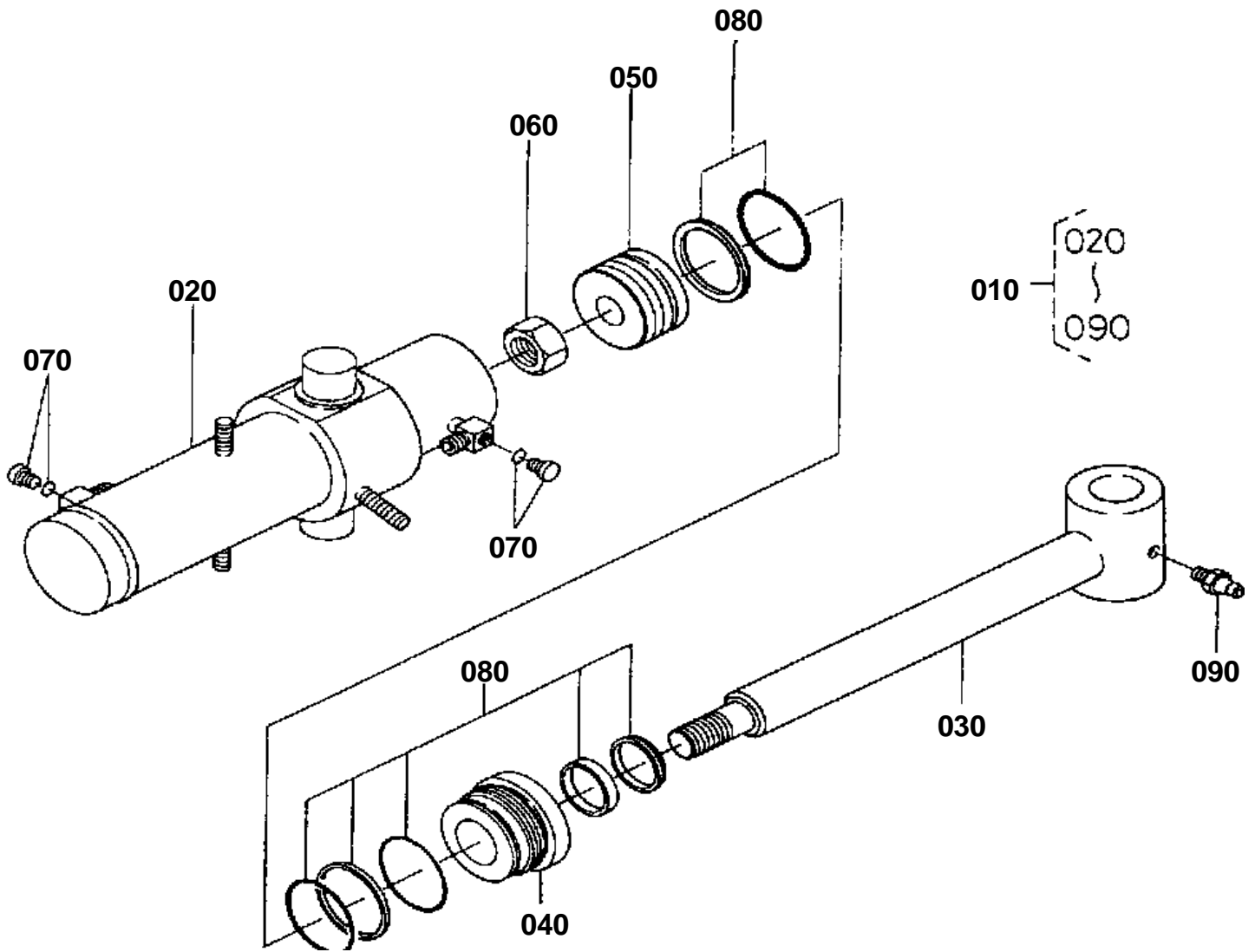


SWING CYLINDER

↔ Interchangeable; ≠ not interchangeable; ← new for old; → old for new

REF.No	Part No.	Description	Q'ty	S.No.	I/C	REMARKS	Weight (kgf)	Weight (lb)
010	75596-13010	ASSY CYLINDER SWING	2				0	0
020	75596-13060	ASSY TUBE 1 HYDRAUL.	1				0	0
030	75596-13070	ASSY TUBE 2 HYDRAUL.	1				0	0
040	75595-13082	ASSY TUBE 3 HYDRAUL.	1				0	0
050	75595-13090	ASSY TUBE 4 HYDRAUL.	1				0	0
060	75599-31033	HEX.JAM NUT	4			3/8-16UNC	0	0
070	75599-31013	HEX.NUT	4			3/8-16UNC	0	0
080	75599-33013	WASHER SPRING LOCK	4			3/8	0	0
090	75599-32013	WASHER PLAIN	4			3/8	0.03	0.066
100	78620-13410	BUSHING	4				0.02	0.044
110	75596-14110	SUPPORT CYLINDER	1				0	0
120	78620-14120	BUSHING	4				0.04	0.088
130	75599-04525	HEX.BOLT	4			1/2-20UNF*1 1/4	0	0
140	75599-33015	WASHER SPRING LOCK	4			1/2	0	0
150	75599-32515	WASHER PLAIN	4			1/2HD	0	0

SWING CYLINDER (COMPONENT PARTS)





SWING CYLINDER (COMPONENT PARTS)

↔ Interchangeable; ≠ not interchangeable; ← new for old; → old for new

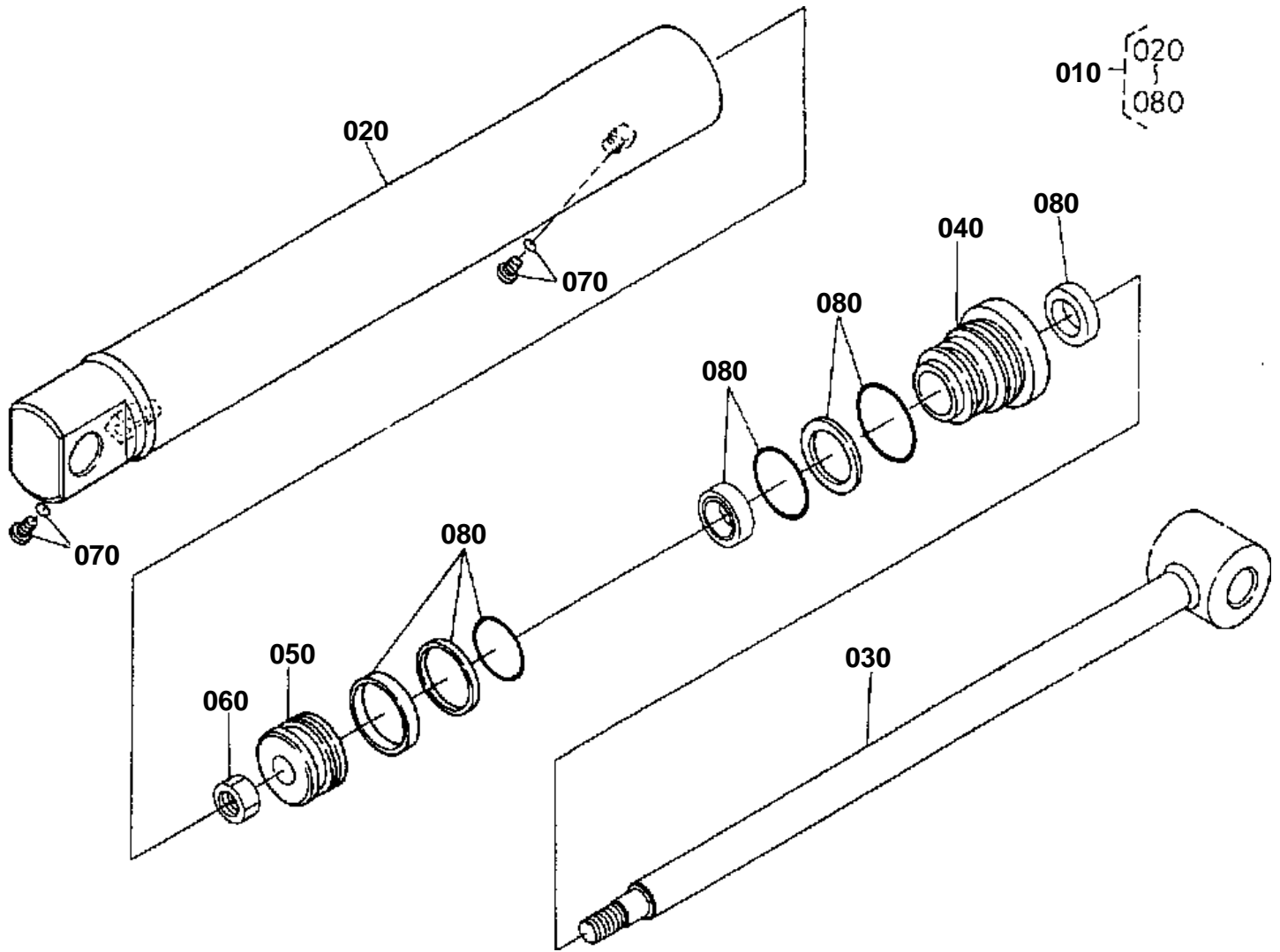
REF.No	Part No.	Description	Q'ty	S.No.	I/C	REMARKS	Weight (kgf)	Weight (lb)
010	75596-13010	ASSY CYLINDER SWING	2				0	0
020	75596-13030	COMP TUBE SWING	2				0	0
030	75596-13050	COMP ROD SWING	2				0	0
040	75596-13110	HEAD	2			2.25*1.25	0	0
050	75596-13210	PISTON	2			CUSHION	0	0
060	75565-63360	NUT	2				0	0
070	75590-13270	PLUG	4				0	0
080	75596-43300	KIT SEAL	2			2.25*1.25	0	0
090	75599-81531	FITTING GREASE	2			1/8-27PTF	0	0

**BOOM**

↔ Interchangeable; ≠ not interchangeable; ← new for old; → old for new

REF.No	Part No.	Description	Q'ty	S.No.	I/C	REMARKS	Weight (kgf)	Weight (lb)
010	75596-21010	COMP BOOM	1				0	0
020	78620-21450	RING INNER	2				0.065	0.143
030	75596-21510	PIN	1			1.18*8.62	0	0
040	75599-04355	HEX.BOLT	1			3/8-24UNF*2 3/4	0	0
050	75599-31023	HEX.NUT	1			3/8-24UNF	0.006	0.0132
060	75599-31043	HEX.JAM NUT	1			3/8-24UNF	0	0
070	75599-81521	FITTING GREASE	1			1/4-28T.T.	0	0
080	75595-14222	PIN 2 LOCK	1				0	0
090	75596-22010	ASSY CYLINDER BOOM	1				0	0
100	75591-22280	LINE TUBE	1				0	0
110	78620-22410	BUSHING	4				0.025	0.055
120	75596-23110	PIN	1			1.18*4.80	0	0
130	75599-04360	HEX.BOLT	1			3/8-24UNF*3	0	0
140	75599-31023	HEX.NUT	1			3/8-24UNF	0.006	0.0132
150	75599-31043	HEX.JAM NUT	1			3/8-24UNF	0	0
160	75599-81521	FITTING GREASE	1			1/4-28T.T.	0	0
170	75596-23150	PIN	1			1.18*7.96	0	0
180	75599-04350	HEX.BOLT	1			3/8-24UNF*2 1/2	0	0
190	75599-31023	HEX.NUT	1			3/8-24UNF	0.006	0.0132
200	75599-31043	HEX.JAM NUT	1			3/8-24UNF	0	0
210	75599-81521	FITTING GREASE	1			1/4-28T.T.	0	0

BOOM CYLINDER (COMPONENT PARTS)



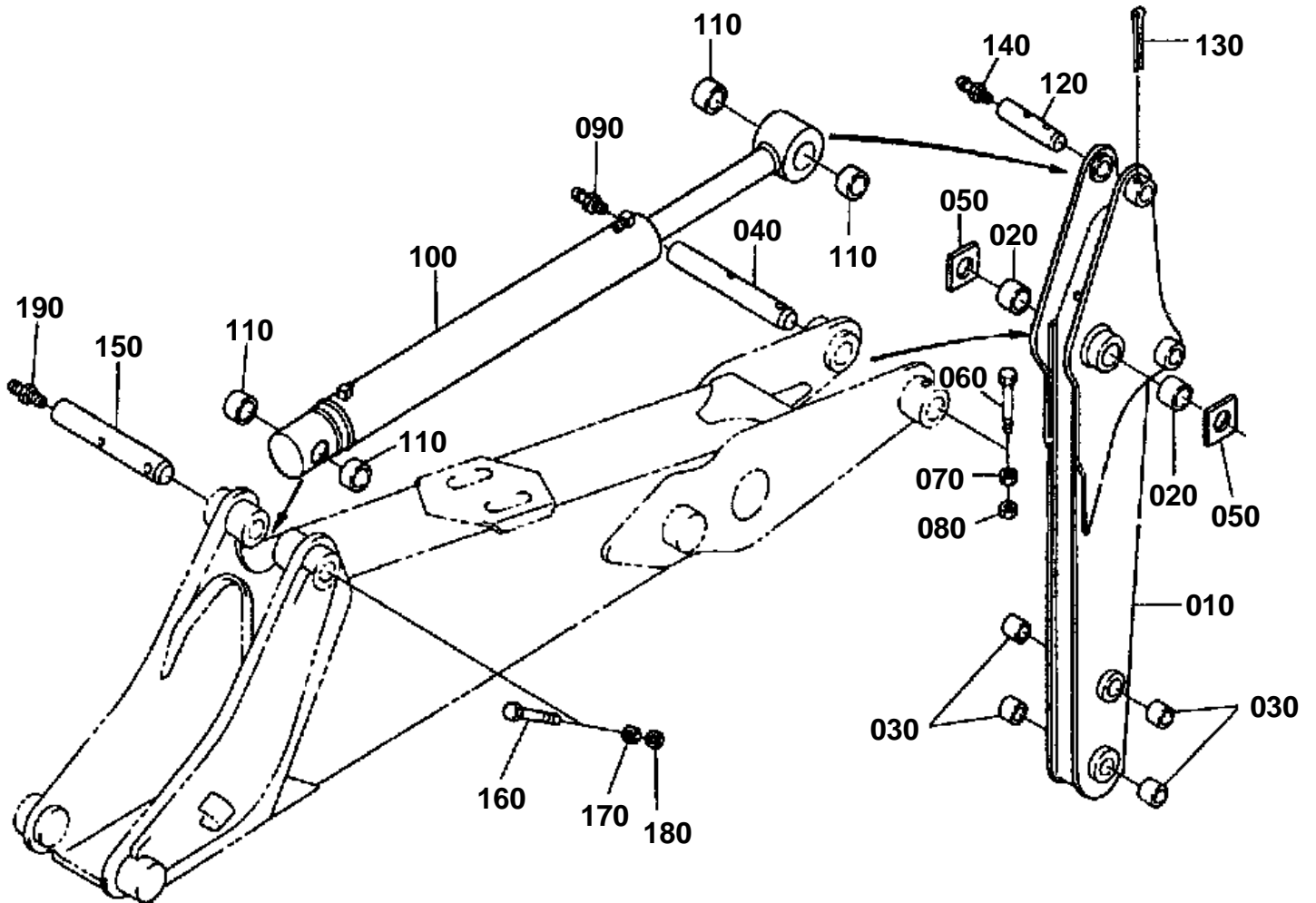


BOOM CYLINDER (COMPONENT PARTS)

↔ Interchangeable; ≠ not interchangeable; ← new for old; → old for new

REF.No	Part No.	Description	Q'ty	S.No.	I/C	REMARKS	Weight (kgf)	Weight (lb)
010	75596-22010	ASSY CYLINDER BOOM	1				0	0
020	75596-22030	COMP TUBE BOOM	1				0	0
030	75596-22050	COMP ROD BOOM	1				0	0
040	75596-22110	HEAD	1			2.75*1.38	0	0
050	75596-22210	PISTON	1			2.75*1.00	0	0
060	75596-22250	NUT	1				0	0
070	75540-63490	PLUG	2				0	0
080	75596-22300	KIT SEAL	1			2.75*1.38	0	0

DIPPERSTICK



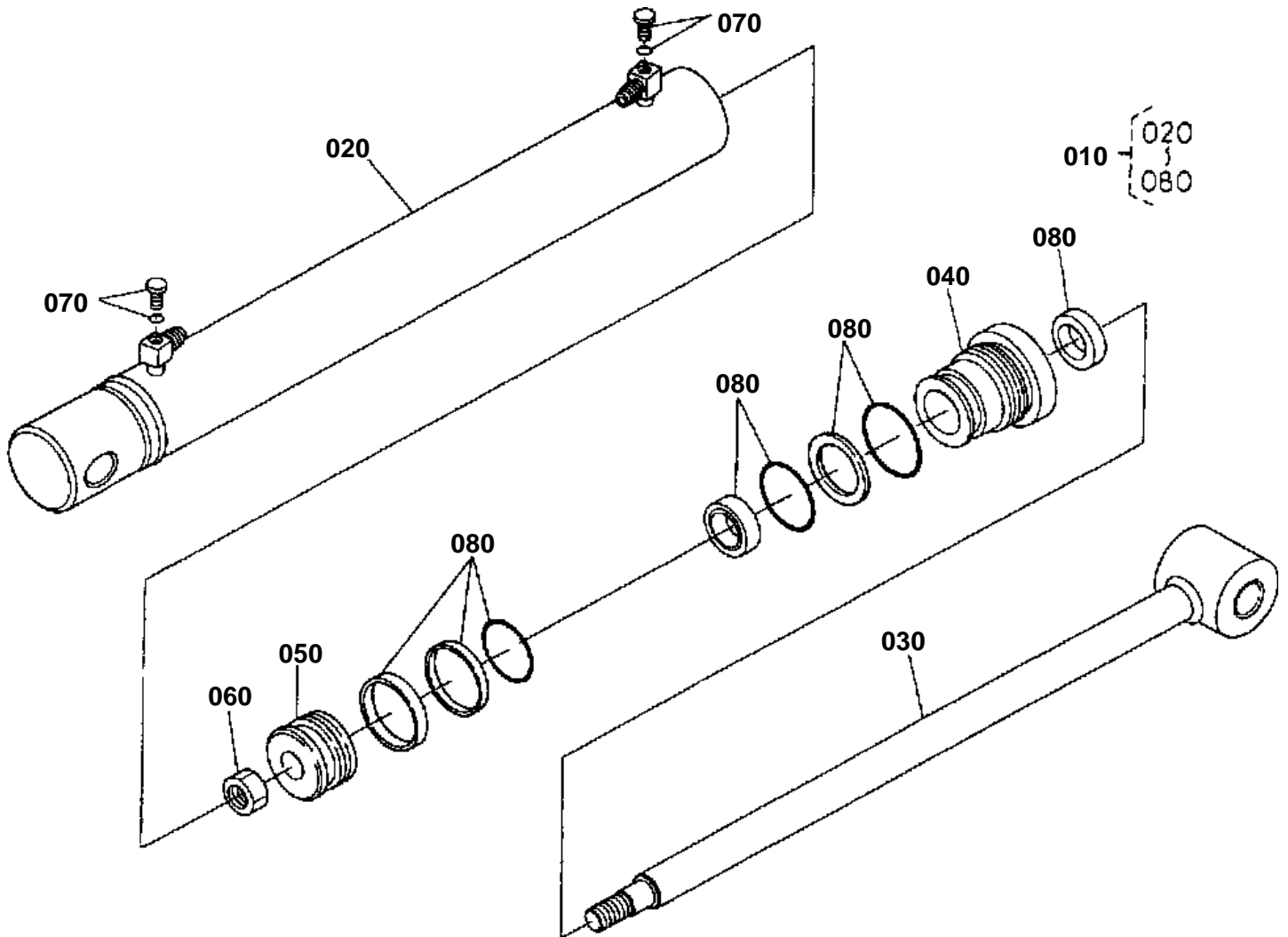


DIPPERSTICK

↔ Interchangeable; ≠ not interchangeable; ← new for old; → old for new

REF.No	Part No.	Description	Q'ty	S.No.	I/C	REMARKS	Weight (kgf)	Weight (lb)
010	75596-90120	DIPPER STICK(LABEL)	1				0	0
020	78620-21450	RING INNER	2				0.065	0.143
030	38280-25350	RING INNER	4				0.04	0.088
040	75596-23150	PIN	1			1.18*7.96	0	0
050	78620-31550	SPACER	2				0.035	0.077
060	75599-04350	HEX.BOLT	1			3/8-24UNF*2 1/2	0	0
070	75599-31023	HEX.NUT	1			3/8-24UNF	0.006	0.0132
080	75599-31043	HEX.JAM NUT	1			3/8-24UNF	0	0
090	75599-81521	FITTING GREASE	1			1/4-28T.T.	0	0
100	75596-32010	ASSY CYLINDER DIPPER	1				0	0
110	78620-13410	BUSHING	4				0.02	0.044
120	75596-33110	PIN	1			0.98*5.40	0	0
130	75599-53229	PIN COTTER	1			7/32*2 1/2	0	0
140	75599-81521	FITTING GREASE	1			1/4-28T.T.	0	0
150	75596-33150	PIN	1			0.98*7.71	0	0
160	75599-04350	HEX.BOLT	1			3/8-24UNF*2 1/2	0	0
170	75599-31023	HEX.NUT	1			3/8-24UNF	0.006	0.0132
180	75599-31043	HEX.JAM NUT	1			3/8-24UNF	0	0
190	75599-81521	FITTING GREASE	1			1/4-28T.T.	0	0

DIPPERSTICK CYLINDER (COMPONENT PARTS)





DIPPERSTICK CYLINDER (COMPONENT PARTS)

↔ Interchangeable; ≠ not interchangeable; ← new for old; → old for new

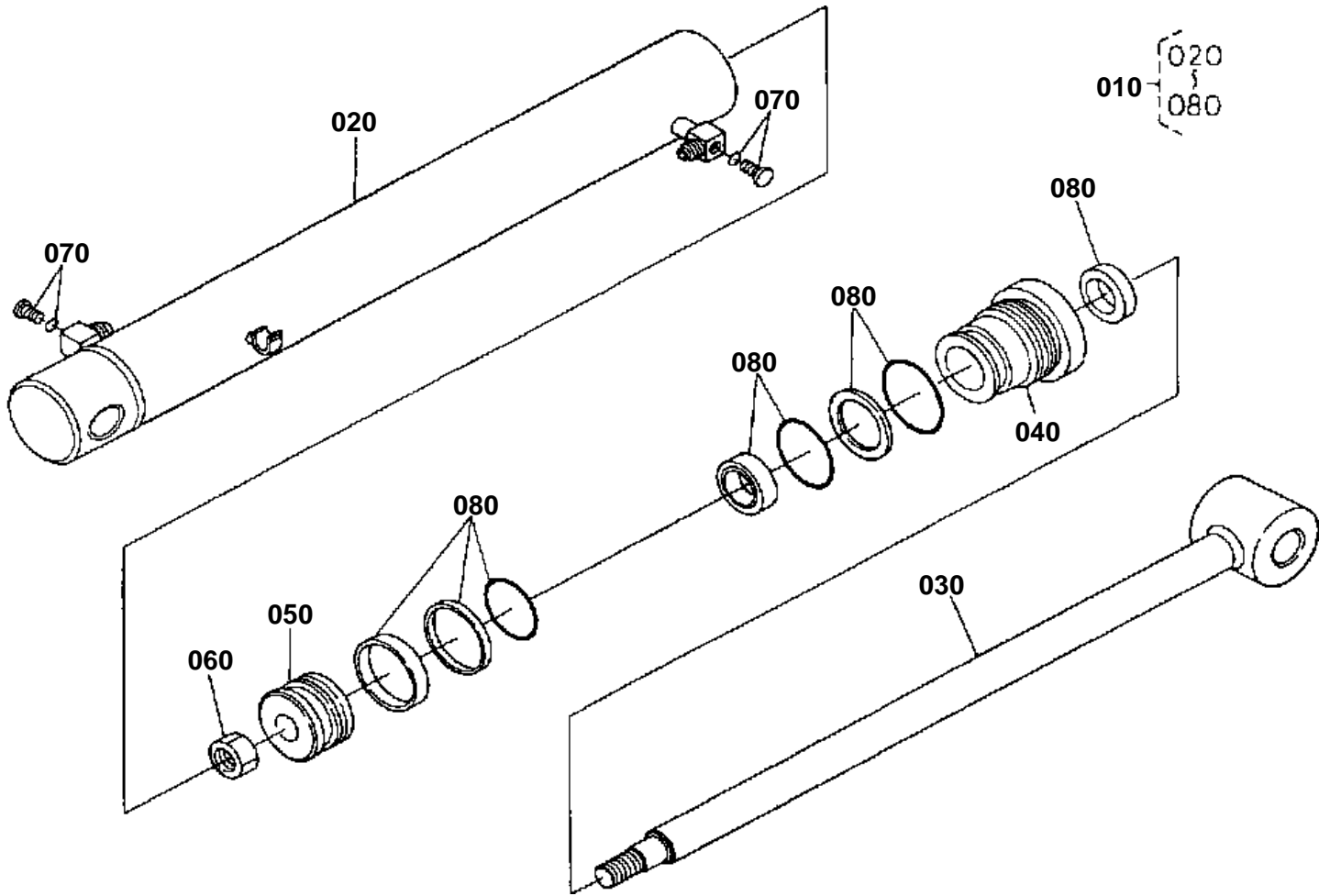
REF.No	Part No.	Description	Q'ty	S.No.	I/C	REMARKS	Weight (kgf)	Weight (lb)
010	75596-32010	ASSY CYLINDER DIPPER	1				0	0
020	75596-32030	COMP TUBE DIPPER	1				0	0
030	75596-32050	COMP ROD DIPPER	1				0	0
040	75596-32110	HEAD	1			2.50*1.25	0	0
050	75596-32210	PISTON	1			2.50*0.88	0	0
060	75565-63360	NUT	1				0	0
070	75540-63490	PLUG	2				0	0
080	75596-32300	KIT SEAL	1			2.50*1.25	0	0

**BUCKET LINK**

↔ Interchangeable; ≠ not interchangeable; ← new for old; → old for new

REF.No	Part No.	Description	Q'ty	S.No.	I/C	REMARKS	Weight (kgf)	Weight (lb)
010	75596-41110	LINK 1 GUIDE	1				0	0
020	75596-41150	LINK 2 GUIDE	1				0	0
030	75596-41210	LINK BUCKET	1				0	0
040	38280-25350	RING INNER	4				0.04	0.088
050	75596-42610	PIN	2			0.98*6.68	0	0
060	75599-04350	HEX.BOLT	2			3/8-24UNF*2 1/2	0	0
070	75599-31023	HEX.NUT	2			3/8-24UNF	0.006	0.0132
080	75599-31043	HEX.JAM NUT	2			3/8-24UNF	0	0
090	75599-81521	FITTING GREASE	2			1/4-28T.T.	0	0
100	75596-42620	PIN	2			0.98*6.17	0	0
110	75599-04345	HEX.BOLT	2			3/8-24UNF*2 1/4	0	0
120	75599-31023	HEX.NUT	2			3/8-24UNF	0.006	0.0132
130	75599-31043	HEX.JAM NUT	2			3/8-24UNF	0	0
140	75599-81521	FITTING GREASE	2			1/4-28T.T.	0	0
150	75596-43010	ASSY CYLINDER BUCKET	1				0	0
160	75596-43060	ASSY TUBE HYDRAULIC	1				0	0
170	78620-13410	BUSHING	4				0.02	0.044
180	75596-33110	PIN	1			0.98*5.40	0	0
190	75599-53229	PIN COTTER	1			7/32*2 1/2	0	0
200	75599-81521	FITTING GREASE	1			1/4-28T.T.	0	0
210	75540-64940	CLAMP HOSE	2				0	0
220	75590-44210	CLAMP 1 SMV MARK	1				0	0
230	75590-44220	CLAMP 2 SMV MARK	1				0	0
240	75599-02315	HEX.BOLT	1			3/8-24UNF*3/4	0	0
250	75599-33013	WASHER SPRING LOCK	1			3/8	0	0

BUCKET CYLINDER (COMPONENT PARTS)



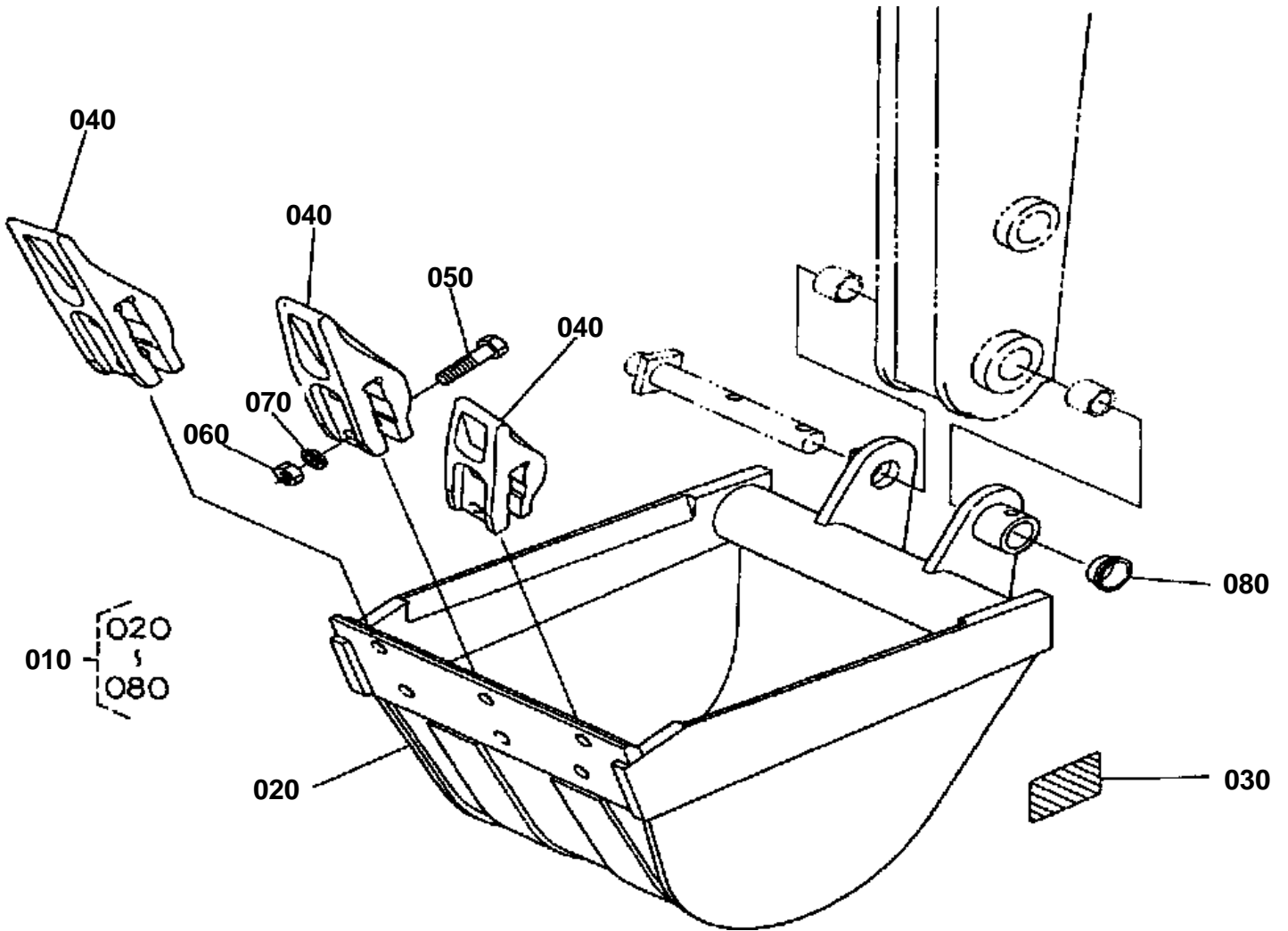


BUCKET CYLINDER (COMPONENT PARTS)

↔ Interchangeable; ≠ not interchangeable; ← new for old; → old for new

REF.No	Part No.	Description	Q'ty	S.No.	I/C	REMARKS	Weight (kgf)	Weight (lb)
010	75596-43010	ASSY CYLINDER BUCKET	1				0	0
020	75596-43030	COMP TUBE BUCKET	1				0	0
030	75596-43050	COMP ROD BUCKET	1				0	0
040	75596-13110	HEAD	1			2.25*1.25	0	0
050	75565-63350	PISTON	1				0	0
060	75565-63360	NUT	1				0	0
070	75540-63490	PLUG	2				0	0
080	75596-43300	KIT SEAL	1			2.25*1.25	0	0

BUCKET

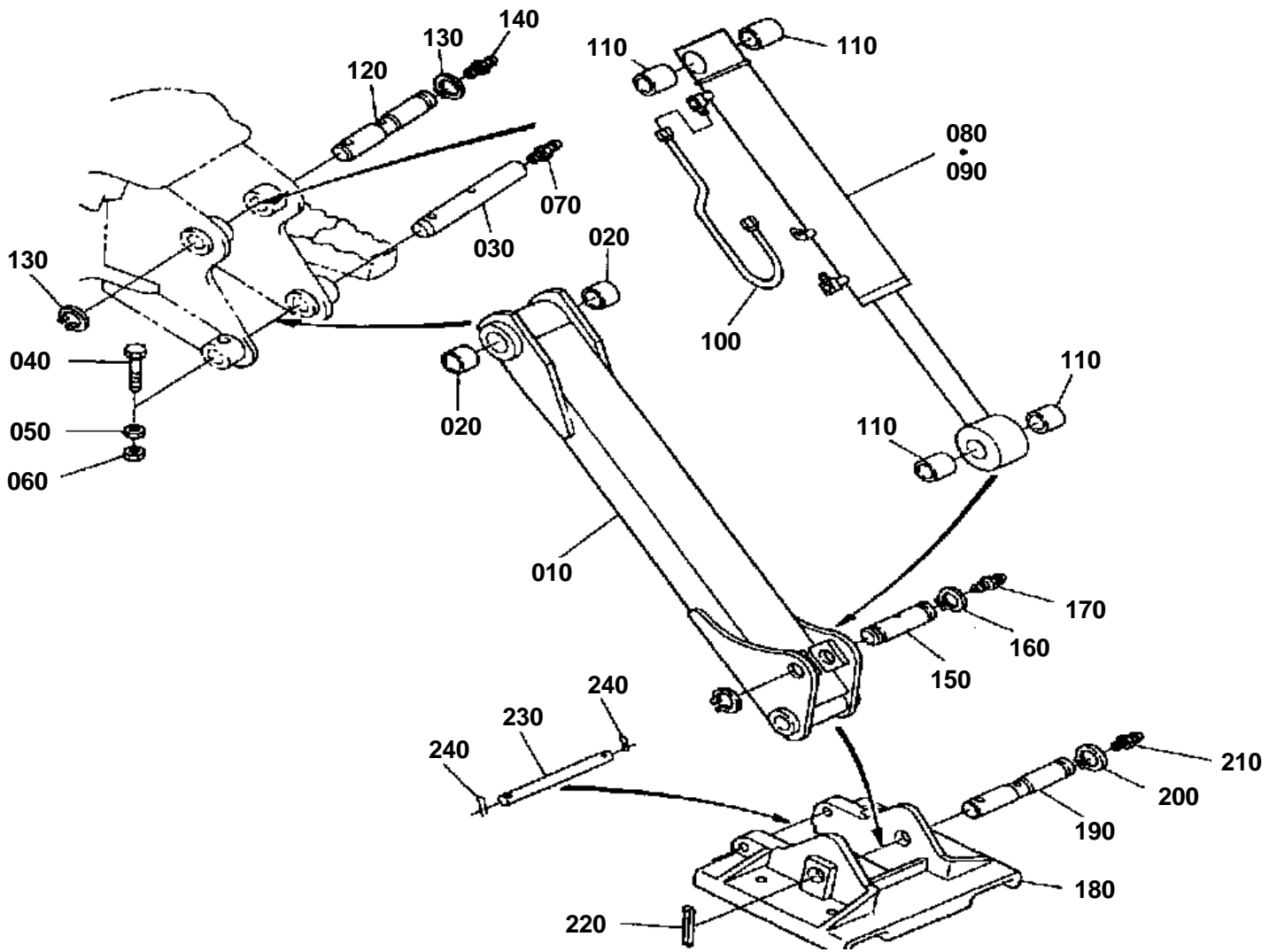


**BUCKET**

↔ Interchangeable; ≠ not interchangeable; ← new for old; → old for new

REF.No	Part No.	Description	Q'ty	S.No.	I/C	REMARKS	Weight (kgf)	Weight (lb)
010	75590-42100	ASSY BUCKET 10	1			BT1950A	0	0
010	75590-42200	ASSY BUCKET 12	1			BT1951A	0	0
010	75590-42300	ASSY BUCKET 16	1			BT1952A	0	0
010	75590-42400	ASSY BUCKET 24	1			BT1953A	0	0
010	75590-42500	ASSY BUCKET 30	1			BT1955A	0	0
010	75590-42600	ASSY BUCKET 36	1			BT1954A	0	0
020	75590-42010	BUCKET 10	1				0	0
020	75590-42020	BUCKET 12	1				0	0
020	75590-42030	BUCKET 16	1				0	0
020	75590-42040	BUCKET 24	1				0	0
020	75590-42050	BUCKET 30	1				0	0
020	75590-42060	BUCKET 36	1				0	0
030	99999-99999	LABEL MODEL	1			N/A SERVICE	0	0
040	75590-42572	TOOTH BOLT ON	3			BUCKET 10	0	0
040	75590-42572	TOOTH BOLT ON	3			BUCKET 12	0	0
040	75590-42572	TOOTH BOLT ON	4			BUCKET 16	0	0
040	75590-42572	TOOTH BOLT ON	5			BUCKET 24	0	0
040	75590-42572	TOOTH BOLT ON	6			BUCKET 30	0	0
040	75590-42572	TOOTH BOLT ON	7			BUCKET 36	0	0
050	75599-04535	HEX.BOLT	6			BUCKET 101/2-20UNF*1 3/4	0	0
050	75599-04535	HEX.BOLT	6			BUCKET 121/2-20UNF*1 3/4	0	0
050	75599-04535	HEX.BOLT	8			BUCKET 161/2-20UNF*1 3/4	0	0
050	75599-04535	HEX.BOLT	10			BUCKET 241/2-20UNF*1 3/4	0	0
050	75599-04535	HEX.BOLT	12			BUCKET 301/2-20UNF*1 3/4	0	0
050	75599-04535	HEX.BOLT	14			BUCKET 361/2-20UNF*1 3/4	0	0
060	75599-31025	HEX.NUT	6			BUCKET 101/2-20UNF	0	0
060	75599-31025	HEX.NUT	6			BUCKET 121/2-20UNF	0	0
060	75599-31025	HEX.NUT	8			BUCKET 161/2-20UNF	0	0
060	75599-31025	HEX.NUT	10			BUCKET 241/2-20UNF	0	0
060	75599-31025	HEX.NUT	12			BUCKET 301/2-20UNF	0	0
060	75599-31025	HEX.NUT	14			BUCKET 361/2-20UNF	0	0
070	75599-33015	WASHER SPRING LOCK	6			BUCKET 101/2	0	0
070	75599-33015	WASHER SPRING LOCK	6			BUCKET 121/2	0	0
070	75599-33015	WASHER SPRING LOCK	8			BUCKET 161/2	0	0
070	75599-33015	WASHER SPRING LOCK	10			BUCKET 241/2	0	0
070	75599-33015	WASHER SPRING LOCK	12			BUCKET 301/2	0	0
070	75599-33015	WASHER SPRING LOCK	14			BUCKET 361/2	0	0
080	75590-42580	CAP	4				0	0

STABILIZER ARM

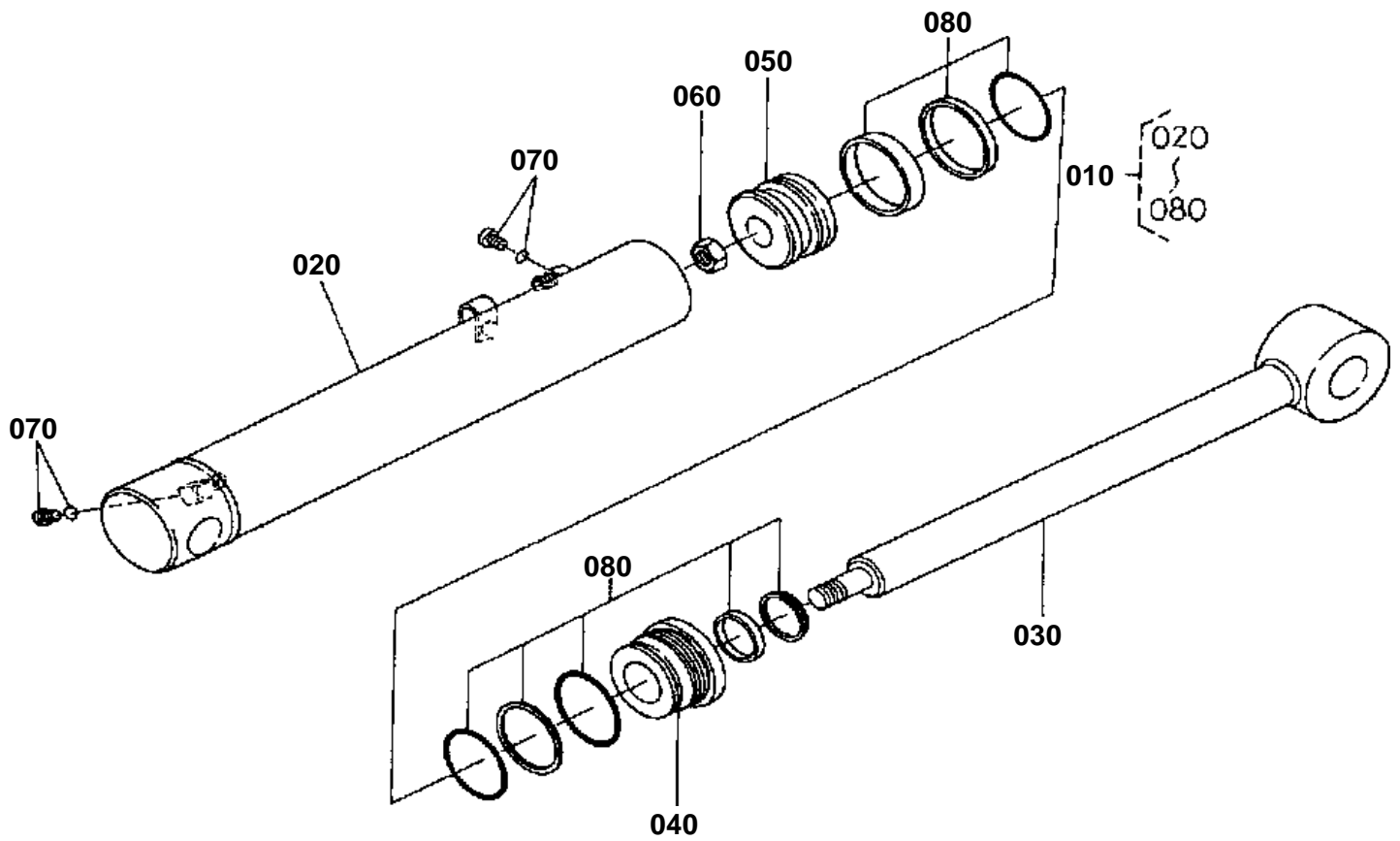


**STABILIZER ARM**

↔ Interchangeable; ≠ not interchangeable; ← new for old; → old for new

REF.No	Part No.	Description	Q'ty	S.No.	I/C	REMARKS	Weight (kgf)	Weight (lb)
010	75596-51010	ARM STABILIZER	2				0	0
020	38280-25350	RING INNER	4				0.04	0.088
030	75596-51210	PIN	2			0.98*6.93	0	0
040	75599-04345	HEX.BOLT	2			3/8-24UNF*2 1/4	0	0
050	75599-31023	HEX.NUT	2			3/8-24UNF	0.006	0.0132
060	75599-31043	HEX.JAM NUT	2			3/8-24UNF	0	0
070	75599-81521	FITTING GREASE	2			1/4-28T.T.	0	0
080	75596-52010	ASSY CYLINDER LH ST.	1				0	0
090	75596-52020	ASSY CYLINDER RH ST.	1				0	0
100	75596-52060	ASSY TUBE HYDRAULIC	2				0	0
110	78620-13410	BUSHING	8				0.02	0.044
120	75596-53110	PIN	2			0.98*6.08	0	0
130	75599-41531	CIR-CLIP EXTERNAL	4			1.00	0	0
140	75599-81521	FITTING GREASE	2			1/4-28T.T.	0	0
150	75596-53150	PIN	2			0.98*3.90	0	0
160	75599-41531	CIR-CLIP EXTERNAL	4			1.00	0	0
170	75599-81521	FITTING GREASE	2			1/4-28T.T.	0	0
180	75590-53210	PAD STABILIZER	2				0	0
190	75596-53110	PIN	2			0.98*6.08	0	0
200	75599-41531	CIR-CLIP EXTERNAL	2			1.00	0	0
210	75599-81521	FITTING GREASE	2			1/4-28T.T.	0	0
220	75599-53237	PIN COTTER	2			1/4*2	0	0
230	75590-53250	PIN	2			5/8*6.22	0	0
240	75599-53194	PIN COTTER	4			5/32*1 1/4	0	0

STABILIZER CYLINDER LH (COMPONENT PARTS)



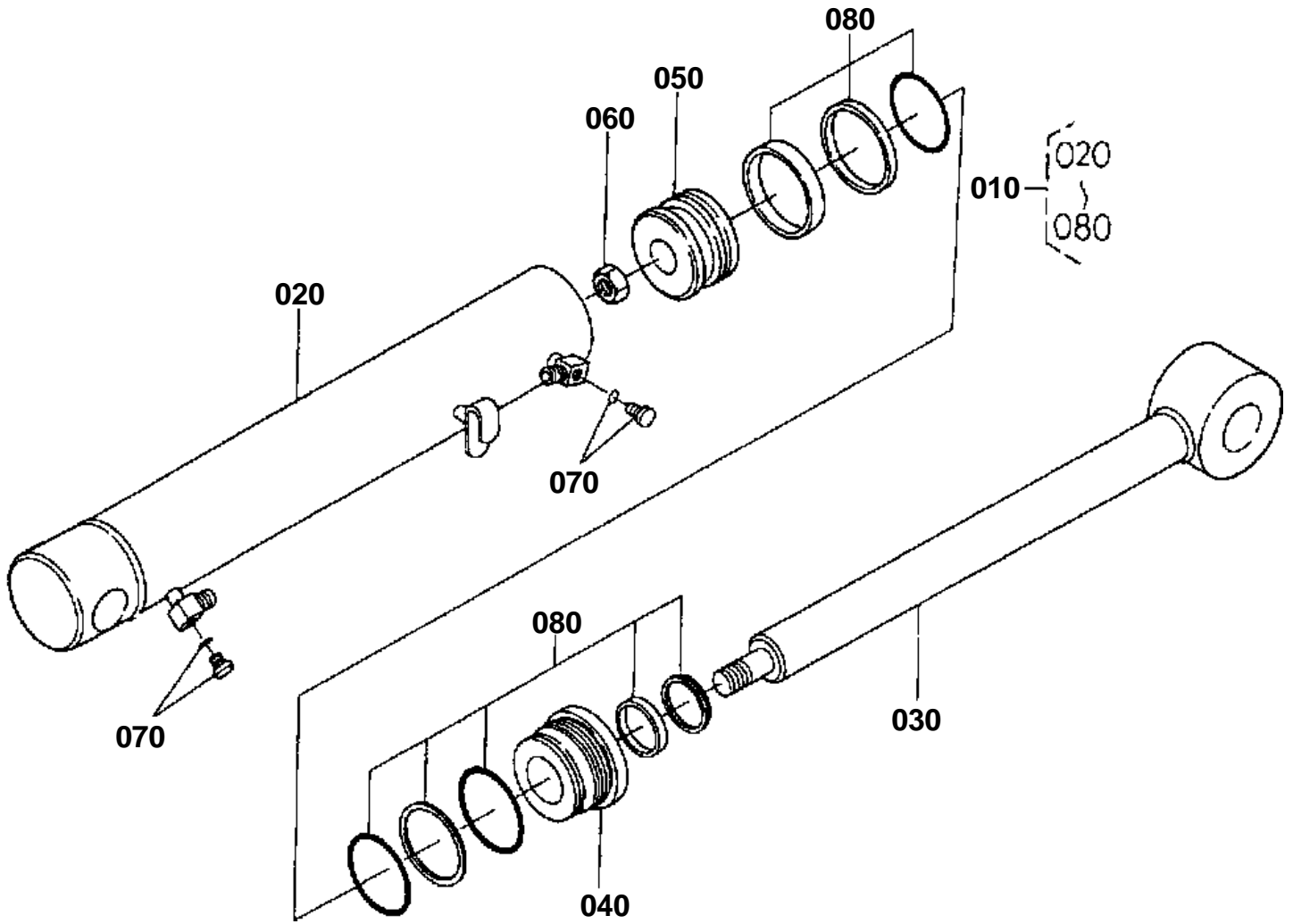


STABILIZER CYLINDER LH (COMPONENT PARTS)

↔ Interchangeable; ≠ not interchangeable; ← new for old; → old for new

REF.No	Part No.	Description	Q'ty	S.No.	I/C	REMARKS	Weight (kgf)	Weight (lb)
010	75596-52010	ASSY CYLINDER LH ST.	1				0	0
020	75596-52030	TUBE LH STABILIZER	1				0	0
030	75596-52050	COMP ROD STABILIZER	1				0	0
040	75596-52110	HEAD	1			2.50*1.38	0	0
050	75596-32210	PISTON	1			2.50*0.88	0	0
060	75565-63360	NUT	1				0	0
070	75590-13270	PLUG	2				0	0
080	75596-5230	KIT SEAL	1			2.50*1.38	0	0

STABILIZER CYLINDER RH (COMPONENT PARTS)

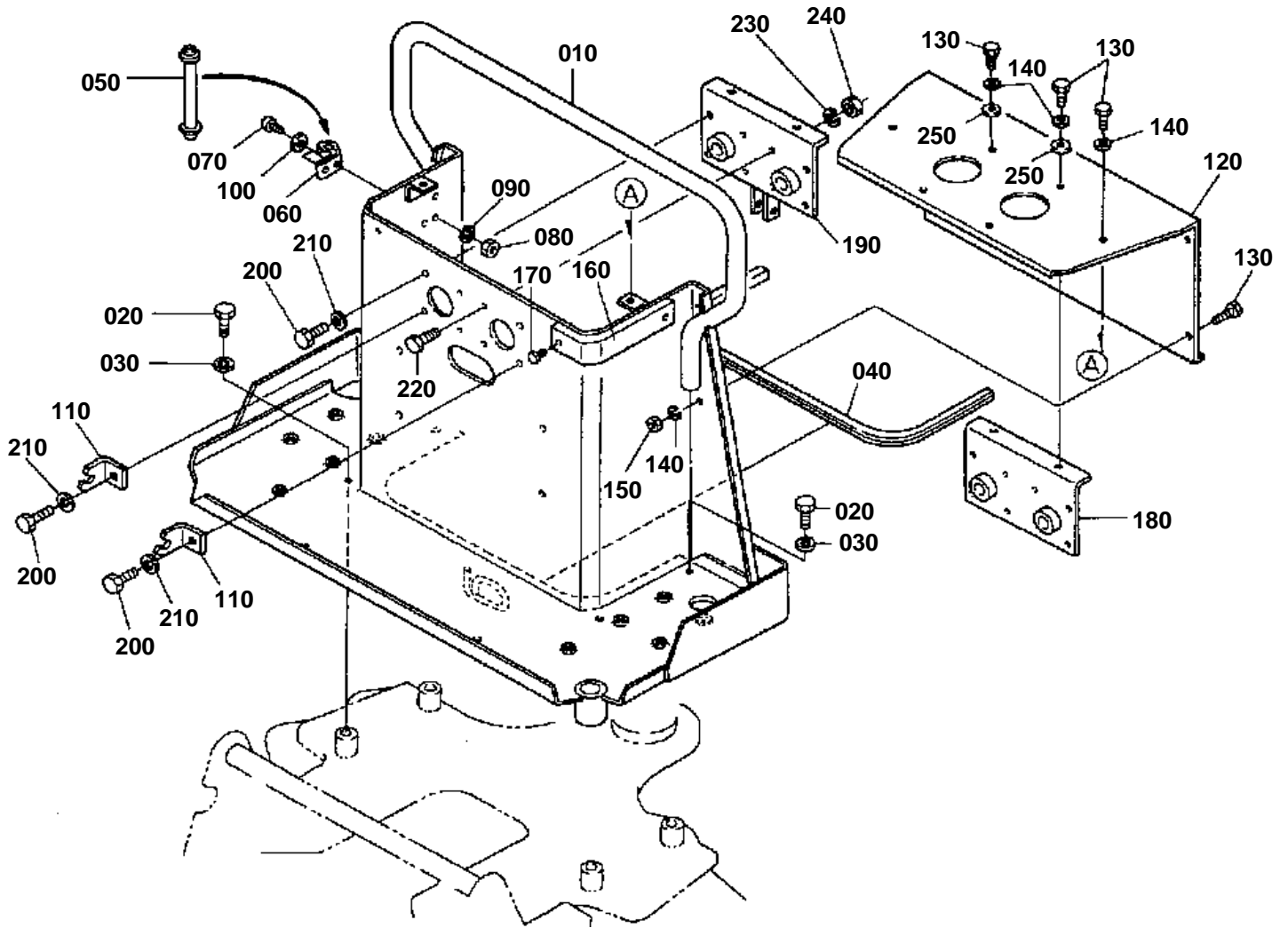




STABILIZER CYLINDER RH (COMPONENT PARTS)

↔ Interchangeable; ≠ not interchangeable; ← new for old; → old for new

REF.No	Part No.	Description	Q'ty	S.No.	I/C	REMARKS	Weight (kgf)	Weight (lb)
010	75596-52020	ASSY CYLINDER RH ST.	1				0	0
020	75596-52040	TUBE RH STABILIZER	1				0	0
030	75596-52050	COMP ROD STABILIZER	1				0	0
040	75596-52110	HEAD	1			2.50*1.38	0	0
050	75596-32210	PISTON	1			2.50*0.88	0	0
060	75565-63360	NUT	1				0	0
070	75590-13270	PLUG	2				0	0
080	75596-52300	KIT SEAL	1			2.50*1.38	0	0



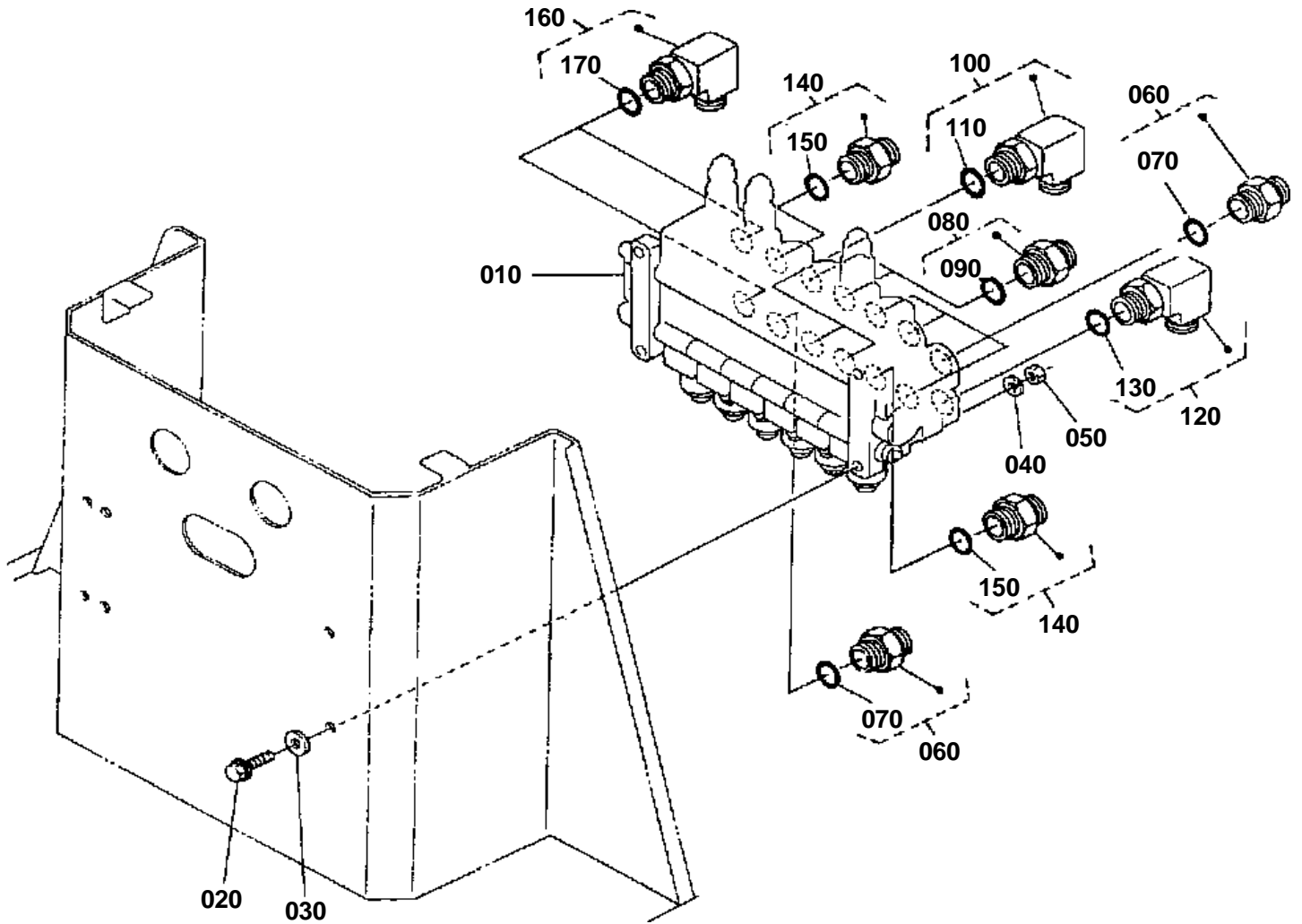


STEP

↔ Interchangeable; ≠ not interchangeable; ← new for old; → old for new

REF.No	Part No.	Description	Q'ty	S.No.	I/C	REMARKS	Weight (kgf)	Weight (lb)
010	75596-90130	STEP (LABEL)	1				0	0
020	75599-02320	HEX.BOLT	6			3/8-24UNF*1	0	0
030	75599-33013	WASHER SPRING LOCK	6			3/8	0	0
040	75596-61230	GUARD HOSE	2				0	0
050	75590-54120	ROD LOCK	1				0	0
060	33251-83902	SPRING BONNET HOLDER	2				0	0
070	75590-54150	SCREW	4			10-32UNF	0	0
080	75590-54160	HEX.NUT	4			10-32UNF	0	0
090	75599-33008	WASHER SPRING LOCK	4			#10	0	0
100	75599-32208	WASHER PLAIN BN	4			#10	0	0
110	78620-54130	INTERLOCKER	2				0.025	0.055
120	75596-90140	COVER VALVE(LABEL)	1				0	0
130	75599-02212	HEX.BOLT	10			5/16-24UNF*5/8	0	0
140	75599-33012	WASHER SPRING LOCK	10			5/16	0	0
150	75599-31022	HEX.NUT	4			5/16-24UNF	0	0
160	75595-61260	PROTECTOR	2				0	0
170	75595-61270	CLIP BUTTON	4				0	0
180	75595-61310	SUPPORT 1 LEVER	1				0	0
190	75596-61410	SUPPORT 3 LEVER	1				0	0
200	75599-02215	HEX.BOLT	4			5/16-24UNF*3/4	0	0
210	75599-33012	WASHER SPRING LOCK	4			5/16	0	0
220	75599-02115	HEX.BOLT	4			1/4-28UNF*3/4	0	0
230	75599-33011	WASHER SPRING LOCK	4			1/4	0	0
240	75599-31021	HEX.NUT	4			1/4-28UNF	0	0
250	75599-32112	WASHER PLAIN	2			5/16W	0	0

CONTROL VALVE





CONTROL VALVE

↔ Interchangeable; ≠ not interchangeable; ← new for old; → old for new

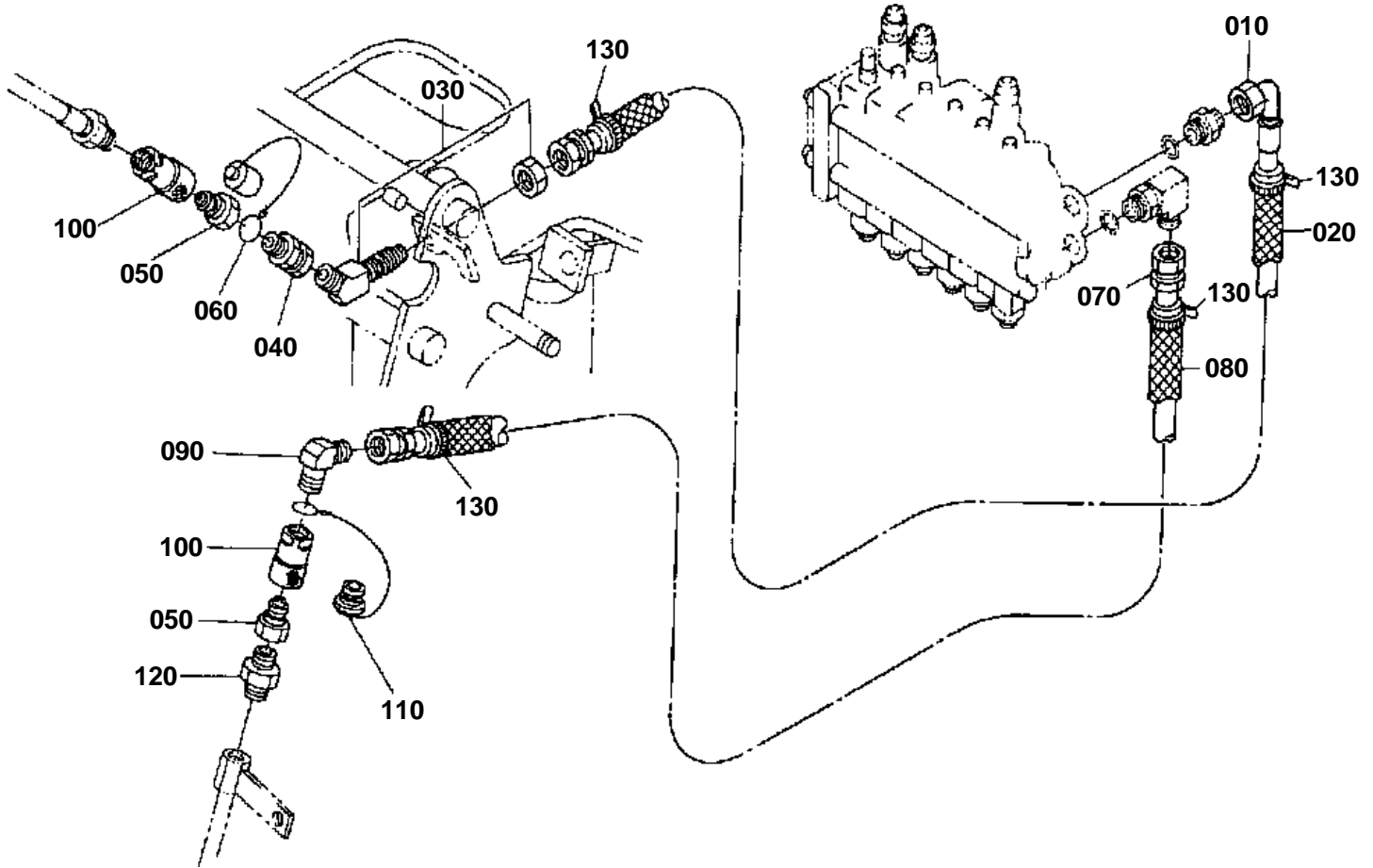
REF.No	Part No.	Description	Q'ty	S.No.	I/C	REMARKS	Weight (kgf)	Weight (lb)
010	75592-63010	ASSY VALVE CONTROL	1				0	0
020	75599-04325	HEX.BOLT	4			3/8-24UNF*1 1/4	0	0
030	75599-32113	WASHER PLAIN	4			3/8W	0	0
040	75599-33013	WASHER SPRING LOCK	4			3/8	0	0
050	75599-31023	HEX.NUT	4			3/8-24UNF	0.006	0.0132
060	75580-61800	ASSY ADAPTER 1	5				0	0
070	75540-61820	O-RING	5				0	0
080	75540-61800	ASSY ADAPTER 1	2				0	0
090	75540-61820	O-RING	2				0	0
100	75540-61900	ASSY ELBOW ADJUST.	2				0	0
110	75560-61820	O-RING	2				0	0
120	75540-61950	ASSY ELBOW2 ADJUST.	1				0	0
130	75540-61820	O-RING	1				0	0
140	75590-63800	ASSY ADAPTER THROTT.	2				0	0
150	75540-61820	O-RING	2				0	0
160	75590-63900	ASSY ELBOW THROTTLED	2				0	0
170	75540-61820	O-RING	2				0	0

**CONTROL VALVE (COMPONENT PARTS)**

↔ Interchangeable; ≠ not interchangeable; ← new for old; → old for new

REF.No	Part No.	Description	Q'ty	S.No.	I/C	REMARKS	Weight (kgf)	Weight (lb)
010	75592-63010	ASSY VALVE CONTROL	1				0	0
020	75540-61740	NUT-SPECIAL	4				0	0
030	75592-63030	ROD TIE	2				0	0
040	75540-61730	NUT-SPECIAL	2				0	0
050	75592-63040	ROD TIE	1				0	0
060	75540-61202	ASSY INLET SECTION	1				0	0
070	75540-61212	HOUSING INLET	1				0	0
080	75540-61250	O-RING	1				0	0
090	75592-63800	ASSY OUTLET SECTION	1				0	0
100	75592-63102	ASSY SPOOL SECTION 1	3				0	0
110	75540-61330	PLATE-SEAL	6				0	0
120	75553-99810	O-RING	6				0	0
130	75540-99720	WIPER	6				0	0
140	75540-61450	CAP-SPOOL	3				0	0
150	75540-61380	POPPET-C.V.	3				0	0
160	75540-61390	SPRING	3				0	0
170	75540-61250	O-RING	3				0	0
180	75540-61440	MACHINE SCREW-RD.HD.	6				0	0
190	75540-61460	CAP SCREW SPOOLSEC.2	6				0	0
200	75540-61470	KIT CAP SPOOL SEC.2	3				0	0
210	75592-63200	RELIEF VALVE	6			5060P 2525PSI	0	0
220	75592-63502	ASSY SPOOL SECTION 2	1				0	0
230	75540-61330	PLATE-SEAL	2				0	0
240	75553-99810	O-RING	2				0	0
250	75540-99720	WIPER	2				0	0
260	75540-61450	CAP-SPOOL	1				0	0
270	75540-61380	POPPET-C.V.	1				0	0
280	75540-61390	SPRING	1				0	0
290	75540-61250	O-RING	1				0	0
300	75540-61440	MACHINE SCREW-RD.HD.	2				0	0
310	75540-61460	CAP SCREW-SOC.HD.	2				0	0
320	75540-61470	KIT CAP SPOOL SEC.2	1				0	0
330	75592-63600	ASSY SPOOL SECTION 3	2				0	0
340	75540-61330	PLATE-SEAL	4				0	0
350	75553-99810	O-RING	4				0	0
360	75540-99720	WIPER	4				0	0
370	75540-61450	CAP-SPOOL	2				0	0
380	75540-61380	POPPET-C.V.	2				0	0
390	75540-61390	SPRING	2				0	0
400	75540-61250	O-RING	2				0	0
410	75540-61440	MACHINE SCREW-RD.HD.	4				0	0
420	75540-61460	CAP SCREW-SOC.HD.	4				0	0
430	75540-61470	KIT CAP SPOOL SEC.2	2				0	0
440	75540-61602	ASSY PLUG	1				0	0
450	75540-99800	KIT SEAL SPOOL SEC.2	1				0	0
480	75540-61620	O-RING	1				0	0
490	75595-63210	KIT SEAL 5060P	6			NOT SHOWN IN FIG.	0	0

HYDRAULIC HOSE (INLET/OUTLET)

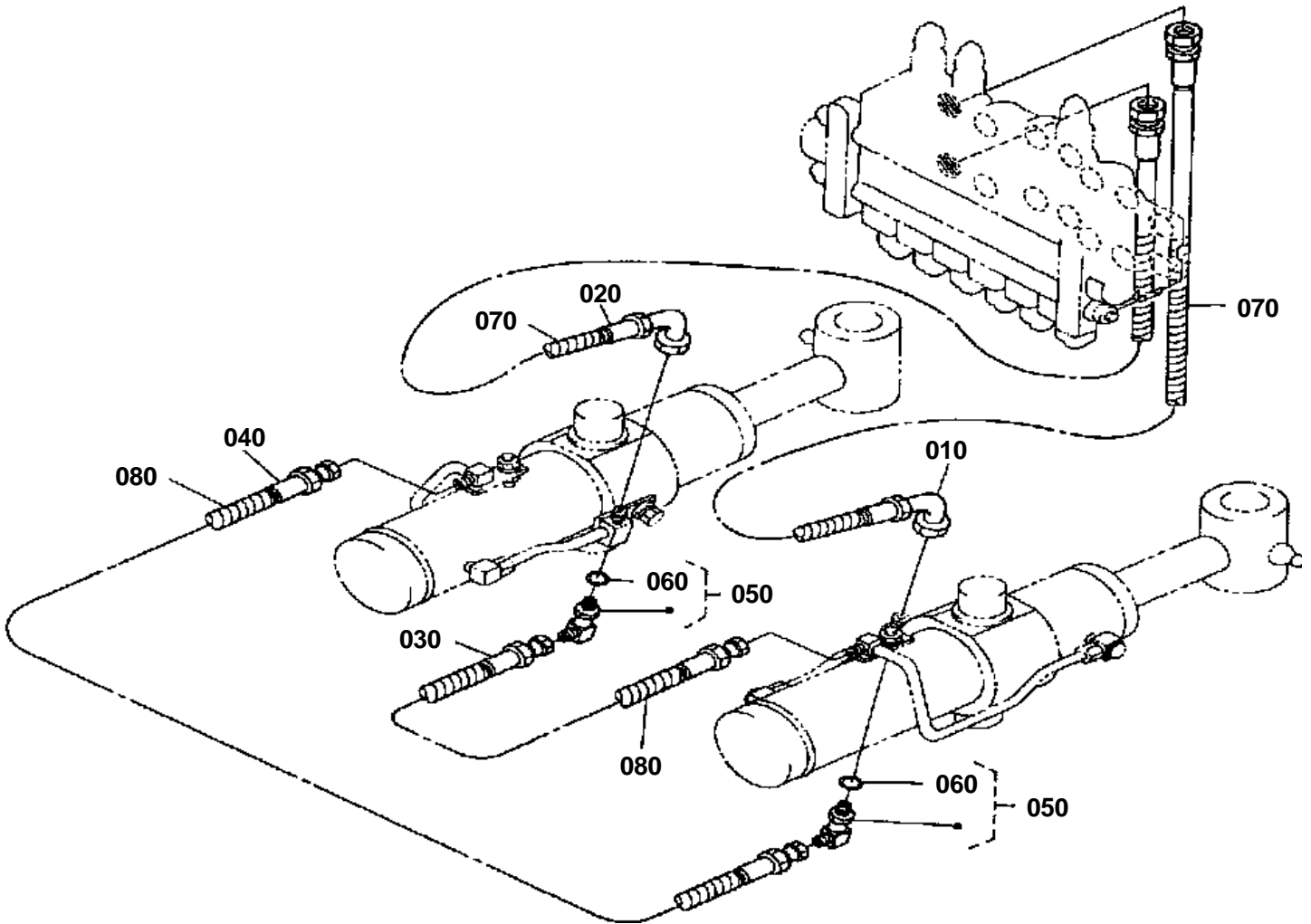




HYDRAULIC HOSE (INLET/OUTLET)

↔ Interchangeable; ≠ not interchangeable; ← new for old; → old for new

REF.No	Part No.	Description	Q'ty	S.No.	I/C	REMARKS	Weight (kgf)	Weight (lb)
010	75596-64110	HOSE 1 HYDRAULIC	1				0	0
020	75596-64120	SLEEVE 1	1				0	0
030	75595-64170	ELBOW	1			BU.45	0	0
040	75596-64190	ADAPTER	1				0	0
050	75540-66220	NIPPLE	2				0	0
060	75540-66430	CAP DUST	1				0	0
070	75596-64150	HOSE 2 HYDRAULIC	1				0	0
080	75596-64130	SLEEVE 2	1				0	0
090	75596-64140	ELBOW	1				0	0
100	75540-66320	COUPLER	2				0	0
110	75540-66330	PLUG DUST	1				0	0
120	75565-68120	ADAPTER 3/8 NPT	1				0	0
130	75590-64650	BAND CODE	4				0	0

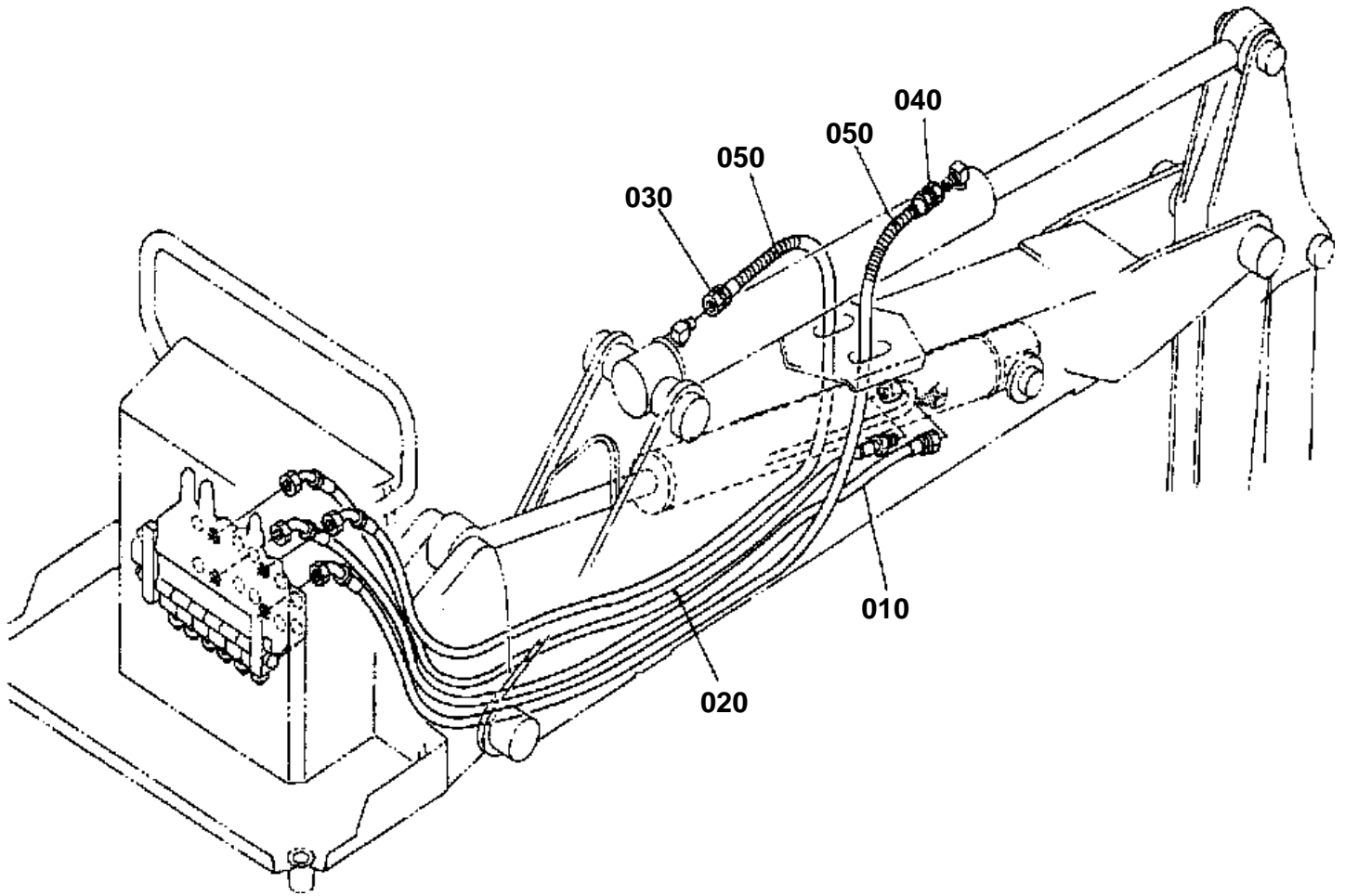




HYDRAULIC HOSE (INLET/OUTLET)

↔ Interchangeable; ≠ not interchangeable; ← new for old; → old for new

REF.No	Part No.	Description	Q'ty	S.No.	I/C	REMARKS	Weight (kgf)	Weight (lb)
010	75596-64230	HOSE 3 HYDRAULIC	1				0	0
020	75596-64250	HOSE 4 HYDRAULIC	1				0	0
030	75596-64260	HOSE L5 HYDRAULIC	1				0	0
040	75596-64270	HOSE R5 HYDRAULIC	1				0	0
050	75595-64200	ASSY ELBOW ADJUST.	2				0	0
060	75595-64220	O-RING	2				0	0
070	75596-64280	GUARD 3 HOSE	2				0	0
080	75595-64302	GUARD 5 HOSE	2				0	0

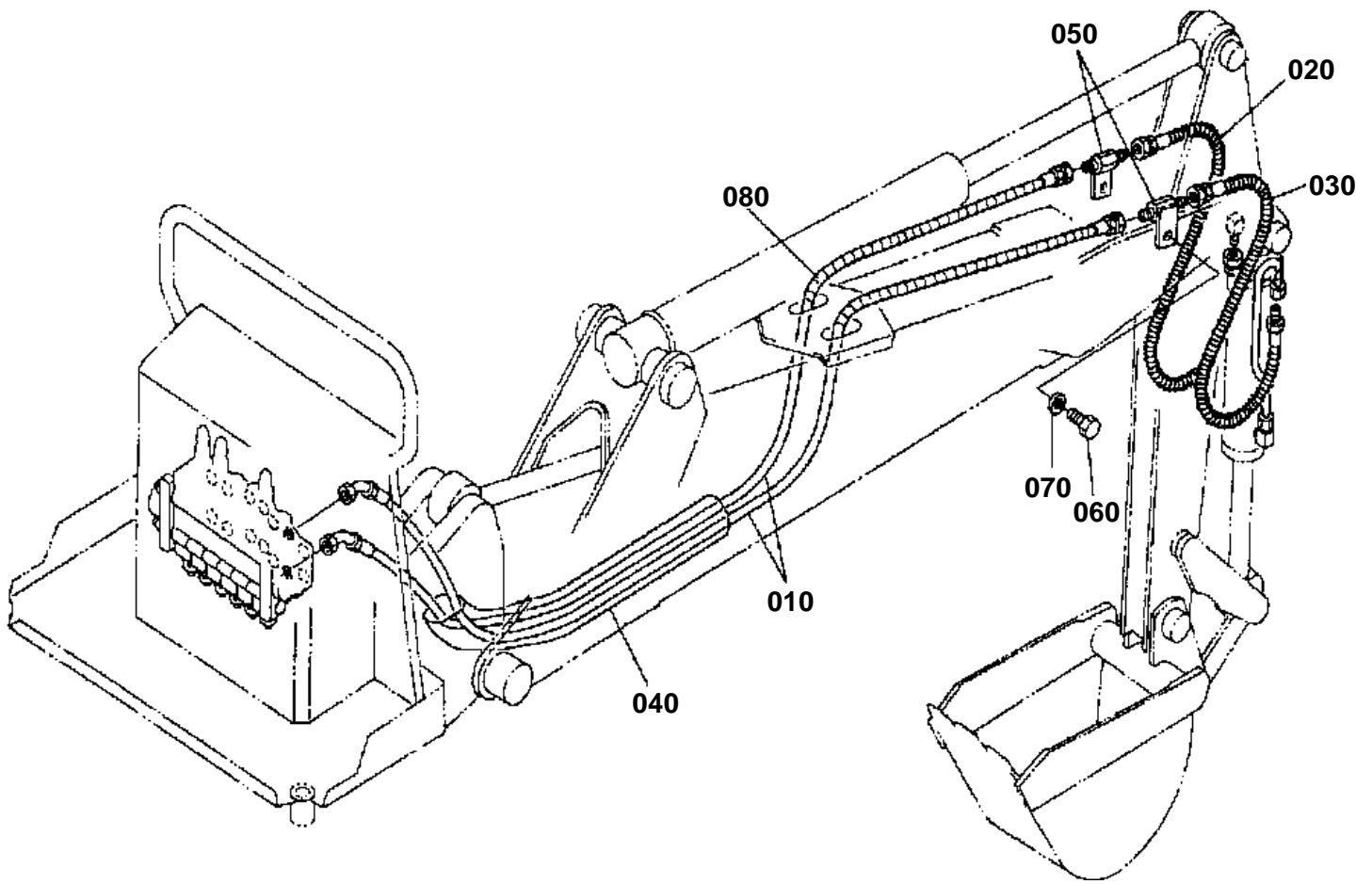




HYDRAULIC HOSE (BOOM DIPPERSTICK)

↔ Interchangeable; ≠ not interchangeable; ← new for old; → old for new

REF.No	Part No.	Description	Q'ty	S.No.	I/C	REMARKS	Weight (kgf)	Weight (lb)
010	75596-64310	HOSE 6 HYDRAULIC	1				0	0
020	75596-64320	HOSE 7 HYDRAULIC	1				0	0
030	75596-64410	HOSE 8 HYDRAULIC	1				0	0
040	75596-64430	HOSE 9 HYDRAULIC	1				0	0
050	75590-64450	GUARD HOSE	2				0	0

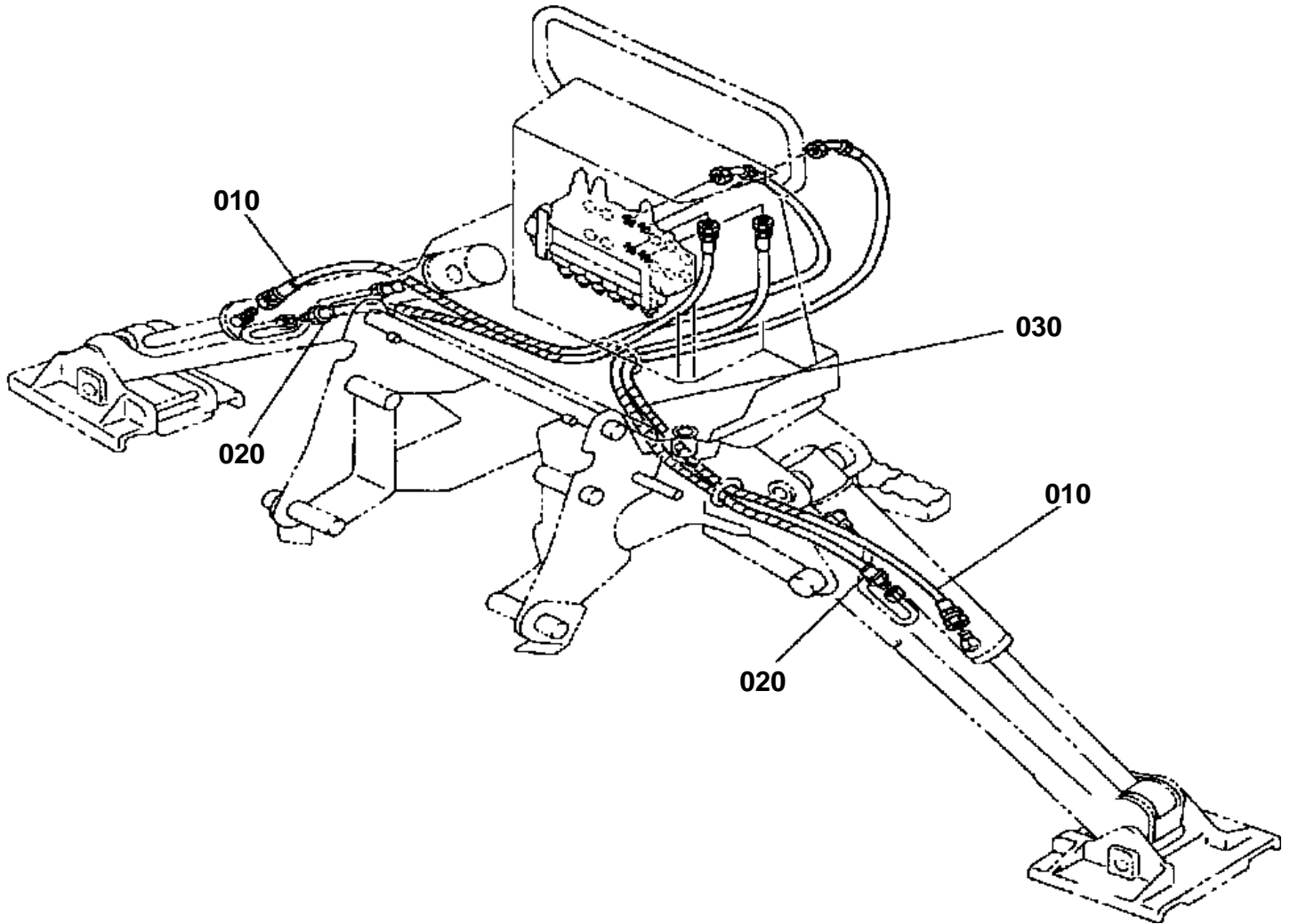




HYDRAULIC HOSE (BUCKET)

↔ Interchangeable; ≠ not interchangeable; ← new for old; → old for new

REF.No	Part No.	Description	Q'ty	S.No.	I/C	REMARKS	Weight (kgf)	Weight (lb)
010	75596-64510	HOSE 10 HYDRAULIC	2				0	0
020	75596-64550	HOSE 12L HYDRAULIC	1				0	0
030	75596-64560	HOSE 12R HYDRAULIC	1				0	0
040	75590-64580	SLEEVE	1				0	0
050	75596-64710	TUBE 1 HYDRAULIC	2				0	0
060	75599-04312	HEX.BOLT	2			3/8-24UNF*5/8	0	0
070	75599-33013	WASHER SPRING LOCK	2			3/8	0	0
080	75590-64450	GUARD HOSE	2				0	0



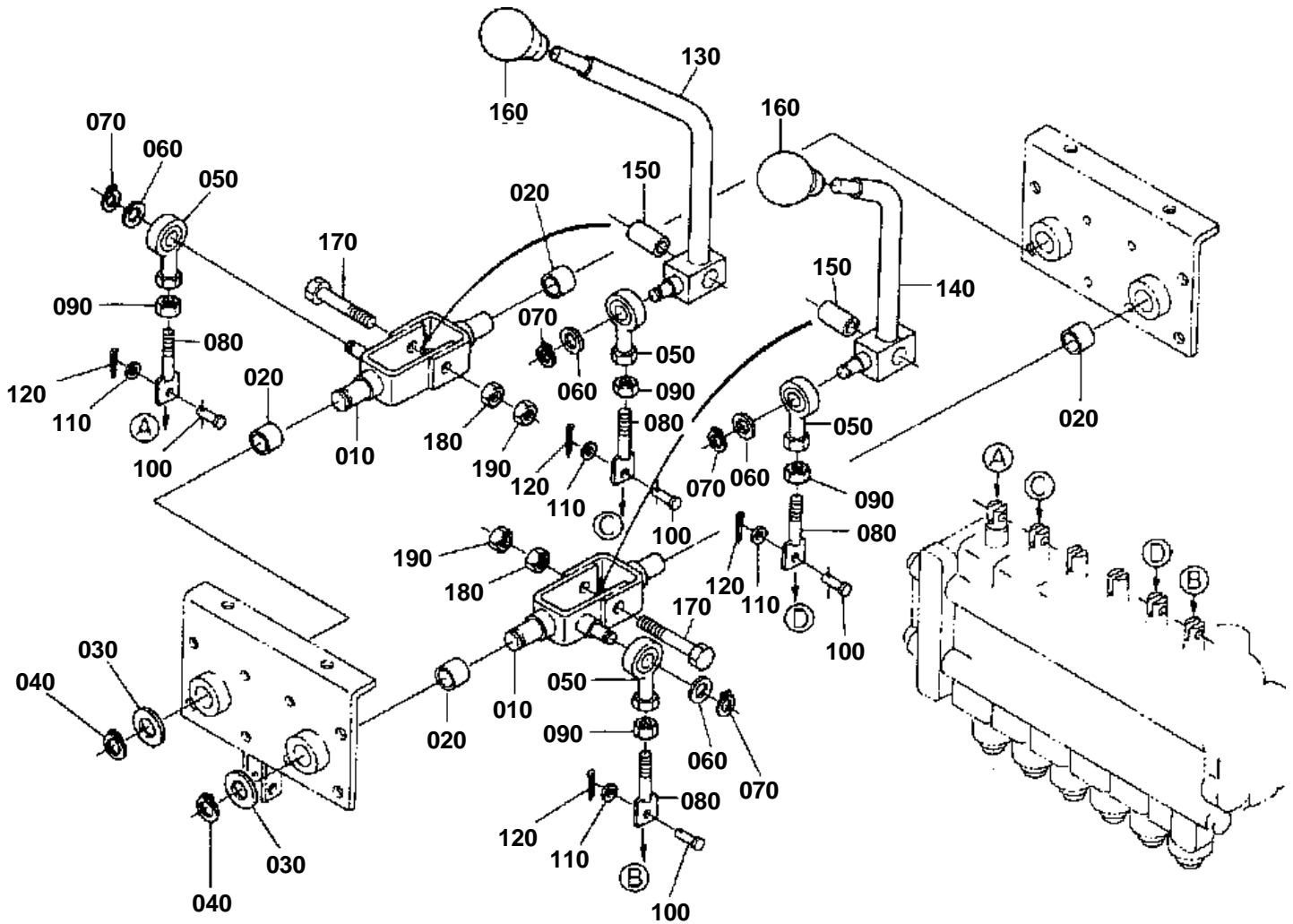


HYDRAULIC HOSE (STABILIZER)

↔ Interchangeable; ≠ not interchangeable; ← new for old; → old for new

REF.No	Part No.	Description	Q'ty	S.No.	I/C	REMARKS	Weight (kgf)	Weight (lb)
010	75596-64610	HOSE 13 HYDRAULIC	2				0	0
020	75596-64630	HOSE 14 HYDRAULIC	2				0	0
030	75595-64640	GUARD 13 HOSE	4				0	0

CONTROL LEVER 1

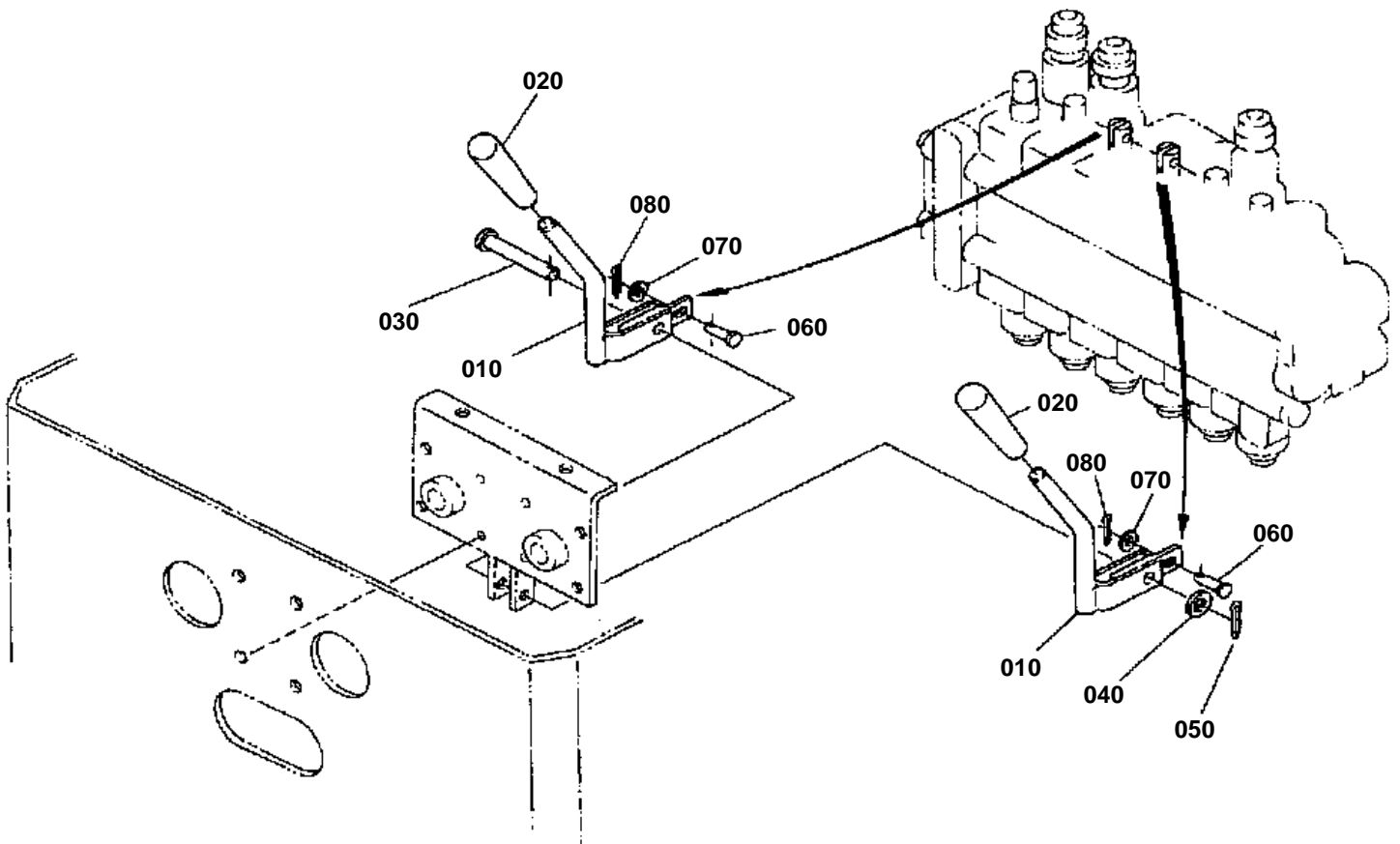




CONTROL LEVER 1

↔ Interchangeable; ≠ not interchangeable; ← new for old; → old for new

REF.No	Part No.	Description	Q'ty	S.No.	I/C	REMARKS	Weight (kgf)	Weight (lb)
010	75595-71130	LEVER 2	2				0	0
020	75540-62140	BUSHING	4				0	0
030	75545-62150	COLLAR 5/8	2				0	0
040	75599-41522	CIR-CLIP EXTERNAL	2			5/8	0	0
050	75540-62260	JOINT ROD END	4				0	0
060	75540-62270	COLLAR	4				0	0
070	75599-41515	CIR-CLIP EXTERNAL	4			3/8	0	0
080	75540-62280	ROD 2	4				0	0
090	75599-31043	HEX.JAM NUT	4			3/8-24UNF	0	0
100	75540-62190	PIN	4				0	0
110	75599-32009	WASHER PLAIN	4			13/64	0	0
120	75599-53111	PIN COTTER	4			1/32*1/2	0	0
130	75595-72110	LEVER CONTROL LH	1				0	0
140	75595-72130	LEVER CONTROL RH	1				0	0
150	75595-72150	SLEEVE	2				0	0
160	31355-82520	GRIP LEVER	2				0.05	0.11
170	75599-04350	HEX.BOLT	2			3/8-24UNF*2 1/2	0	0
180	75599-31023	HEX.NUT	2			3/8-24UNF	0.006	0.0132
190	75599-31043	HEX.JAM NUT	2			3/8-24UNF	0	0

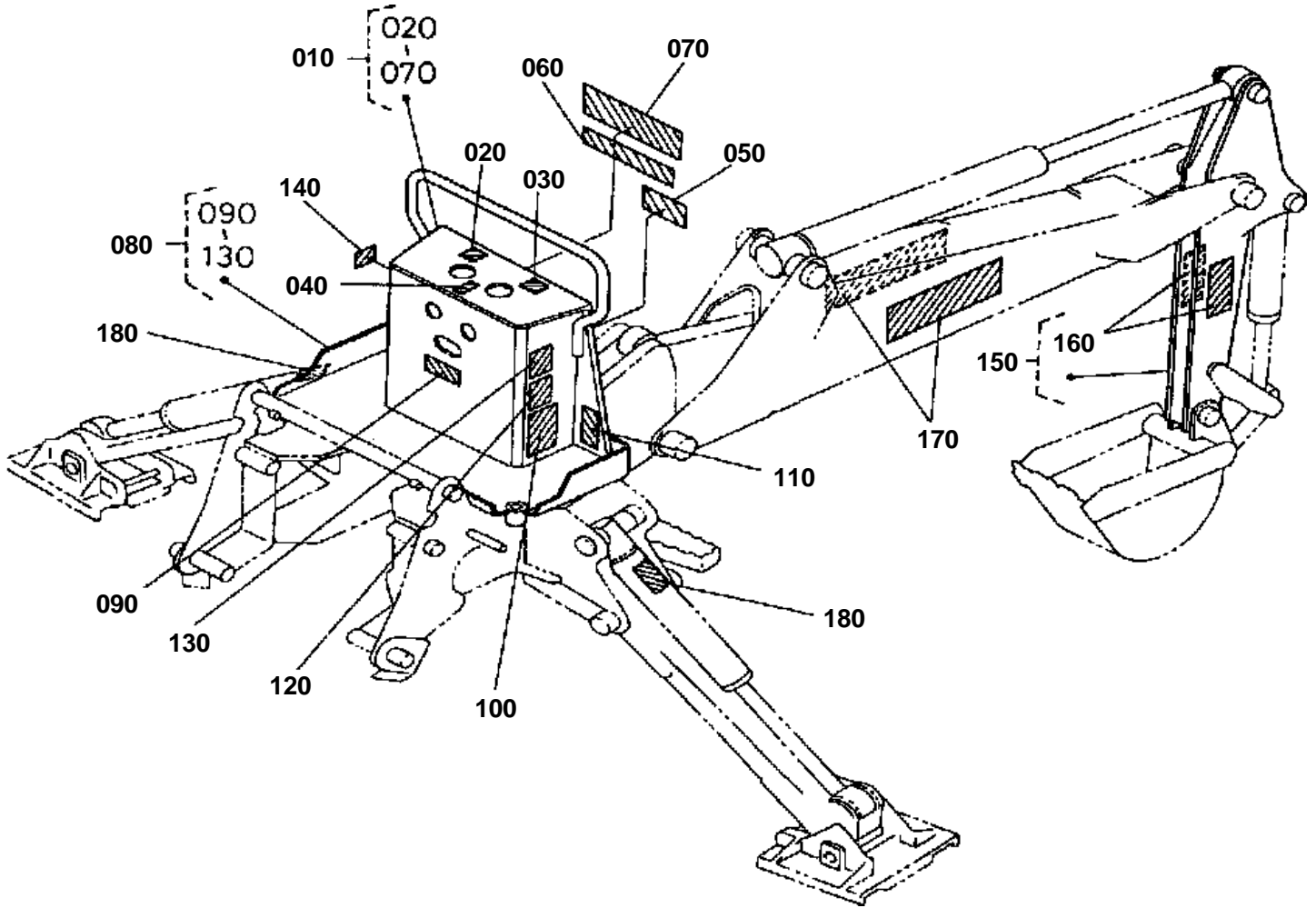




CONTROL LEVER 2

↔ Interchangeable; ≠ not interchangeable; ← new for old; → old for new

REF.No	Part No.	Description	Q'ty	S.No.	I/C	REMARKS	Weight (kgf)	Weight (lb)
010	75590-72210	LEVER 2 CONTROL	2				0	0
020	06914-00100	GRIP LEVER	2				0.02	0.044
030	75599-51247	PIN CLEVIS	1			5/16*2 3/8	0	0
040	75599-32012	WASHER PLAIN	1			5/16	0.002	0.0044
050	75599-53162	PIN COTTER	1			7/64*3/4	0	0
060	75540-62190	PIN	2				0	0
070	75599-32009	WASHER PLAIN	2			13/64	0	0
080	75599-53111	PIN COTTER	2			1/32*1/2	0	0



**LABEL**

↔ Interchangeable; ≠ not interchangeable; ← new for old; → old for new

REF.No	Part No.	Description	Q'ty	S.No.	I/C	REMARKS	Weight (kgf)	Weight (lb)
010	75596-90140	COVER VALVE(LABEL)	1				0	0
020	75590-75110	LABEL 1 CONTROLLEVER	1				0	0
030	75590-75120	LABEL 2 CONTROLLEVER	1				0	0
040	75590-75130	LABEL 3 CONTROLLEVER	1				0	0
050	75596-75140	LABEL MODEL BT751	1				0	0
060	75595-75172	LABEL 1 WARNING	1				0	0
070	75583-58470	LABEL B21	1				0	0
080	75596-90130	STEP(LABEL)	1				0	0
090	75590-75150	LABEL INSTRUCTION	1				0	0
100	75595-75150	LABEL INSTRUCTION	1				0	0
110	75595-75242	LABEL 2 WARNING	1				0	0
120	75590-75272	LABEL 2 CAUTION	1				0	0
130	75596-75280	LABEL 3 WARNING	1				0	0
140	75596-75210	LABEL MODEL	1			NOT SERVICED	0	0
150	75596-90120	DIPPERSTICK(LABEL)	1				0	0
160	75595-75172	LABEL 1 WARNING	2				0	0
170	75580-58452	LABEL KUBOTA	2				0	0
180	75590-75260	LABEL SWING	2				0	0



ACCESSORIES AND SERVICE PARTS

↔ Interchangeable; ≠ not interchangeable; ← new for old; → old for new

REF.No	Part No.	Description	Q'ty	S.No.	I/C	REMARKS	Weight (kgf)	Weight (lb)
010	75596-79910	OPERATOR'S MANUAL	1				0	0
010	75596-95910	OPERATOR'S MANUAL	1			FRENCH	0	0