

# Instructions for Parts Books

The heading at the top of the page will be the same for the picture of the parts as it is for the page with the part numbers.

Definition of column headings on part number pages:

**REF.No** → The number referring to the part on the picture page of the parts book.

**Part No.** → The number assigned to this part at the time of printing the parts book.

**Description** → Description of part.

**Q'ty** → Quantity of part used on that page.

**S.No.** → Serial number range of the equipment that this part will fit.

>= Your serial number should be greater than or equal to the number shown.

<= Your serial number should be lesser than or equal to the serial number shown.

**I/C** → Interchangeability of part shown.

↔ The part shown will work for the older and later serial number.

# The part shown is not interchangeable with the other serial number.

← new for old

→ old for new

**Remarks** → Notes about this particular part. Sometimes this may say except [FR] or [CA]

## Note about Country Codes:

The parts books we use in the United States of America may also contain information about a part that would be different in another country. It is important that you are aware of the country codes in some instances.

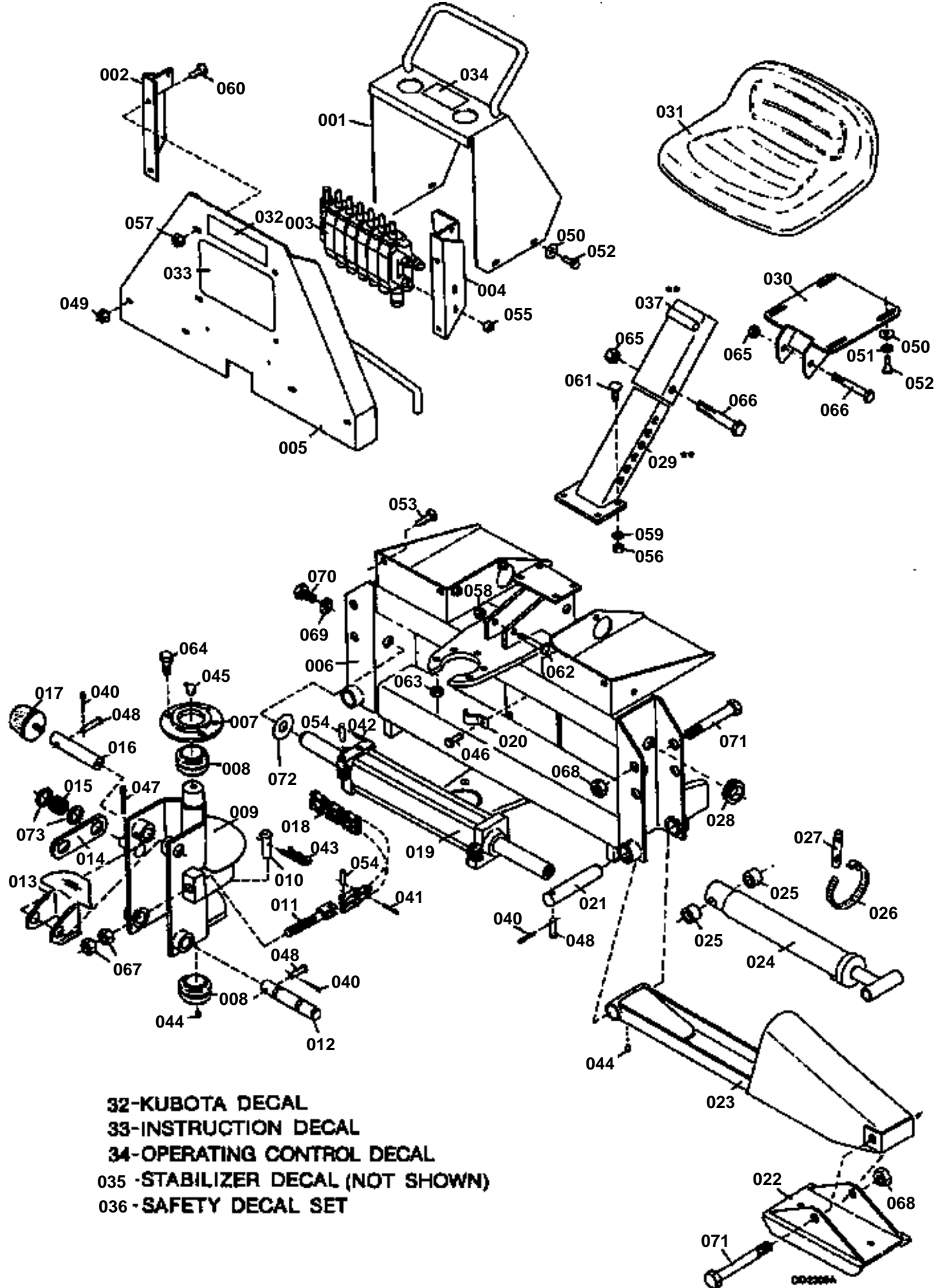
Symbol	Country
A	United States of America
CA	Canada
FR	France
GR	Greece
PO	Portugal
AU	Australia

If the remarks column says for example EXCEPT [FR] this part works in all countries except France. That means it will work here in the USA.

**B/L4520B & L4530B Backhoe**

Part No.		Book
01I001	4520B & 4530B MAIN FRAME ASSEMBLY	100K0595
01I002	4250B BOOM ASSEMBLY	100K0595
01I003	4530B BOOM ASSEMBLY	100K0595
01I004	4520B & 4530B DIPPERSTICK & BUCKET ASSEMBLY	100K0595
01I005	4520B HOSES & FITTINGS	100K0595
01I006	4530B HOSES & FITTINGS	100K0595
01I007	4520B TANK & PUMP ASSEMBLY	100K0595
01I008	4530B TANK & PUMP ASSEMBLY	100K0595
01I009	4520B GEAR PUMP ASSEMBLY	100K0595
01I010	4530B CESSNA GEAR PUMP ASSEMBLY	100K0595
01I011	4530B FENNER-STONE HYDRAULIC GEAR PUMP ASSEMBLY	100K0595
01I012	4520B & 4530B CONSOLE VALVE ASSEMBLY	100K0595
01I013	4520B & 4530B VALVE CONTROLS & HARDWARE	100K0595
01I014	4520B & 4530B SWING CYLINDER	100K0595
01I015	4520B DIPPERSTICK & BUCKET CYLINDER 4530B BUCKET CYLINDER	100K0595
01I016	4520B STABILIZER CYLINDER	100K0595
01I017	4530B STABILIZER CYLINDER	100K0595
01I018	4520B BOOM CYLINDER 4530B BOOM & DIPPERSTICK CYLINDER	100K0595
01I019	MOUNTING KIT B-4521	100K0595
01I020	MOUNTING KIT L-4523	100K0595
01I021	MOUNTING KIT B-4524	100K0595
01I022	MOUNTING KIT L-4525	100K0595
01I023	MOUNTING KIT B-4526	100K0595
01I024	MOUNTING KIT L-4531	100K0595

4520B & 4530B MAIN FRAME ASSEMBLY

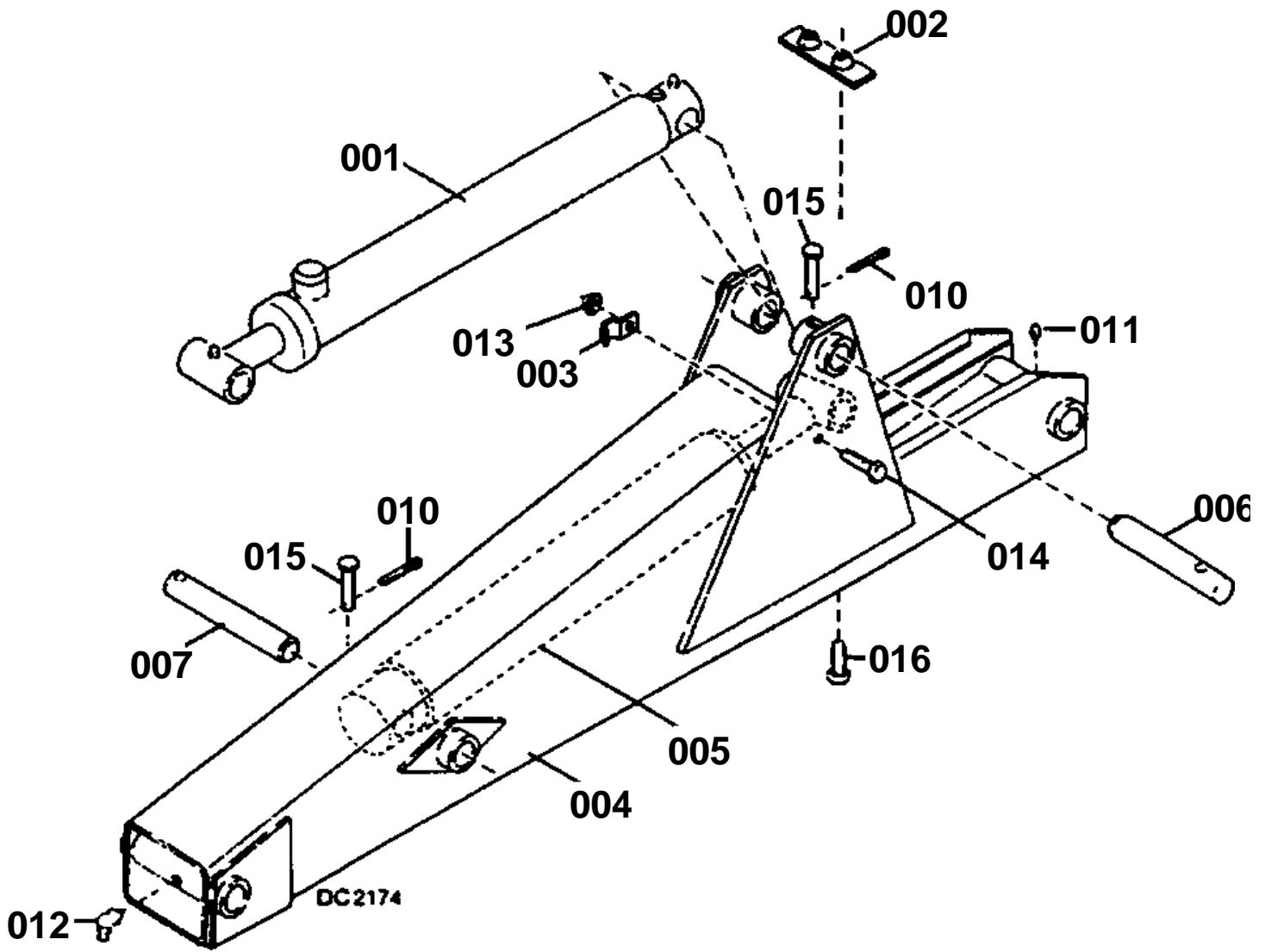




## 4520B &amp; 4530B MAIN FRAME ASSEMBLY

↔ Interchangeable; ≠ not interchangeable; ← new for old; → old for new

REF.No	Part No.	Description	Q'ty	S.No.	I/C	REMARKS	Weight (kgf)	Weight (lb)
001	70030-01330	CONSOLE COVER	1				0	0
002	70030-01332	RIGHT VALVE BRACKET	1				0	0
003	70030-01334	CONSOLE VALVE	1				0	0
004	70030-01333	LEFT VALVE BRACKET A	1				0	0
005	70030-01335	VALVE MOUNTING PLATE	1				0	0
006	70030-01336	FRAME ASSEMBLY MAIN	1				0	0
007	70020-01317	CAP ASY KINGPOST	1				0	0
008	70020-00076	1-1/2 ID BALL BUSHIN	2				0	0
009	70030-01337	KINGPOST WELDMENT AS	1				0	0
010	70030-01338	SWING LOCK PIN	1				0	0
011	70020-01249	BOLT CHAIN TENSION	2				0	0
012	70020-00047	PIVOT PIN BOOM	1				0	0
013	70030-01339	GUIDE HOSE	1				0	0
014	70020-01271	PALTE LATCH	1				0	0
015	70020-01284	.072X.62 COMPRESSION	1				0	0
016	70020-01254	PIN PIVOT	1				0	0
017	70020-01274	PAD ASY BUMPER	2				0	0
018	70020-01281	CHAIN SWING	2				0	0
019	70020-01220	CYLINDER ASY HYDRAUL	1				0	0
020	70020-01256	CLAMP HOSE	2				0	0
021	70020-01257	PIN PIVOT	2				0	0
022	70020-01261	PAD ASY STABILIZER	2				0	0
023	70020-01262	STABILIZER ASSEMBLY	2			4520B	0	0
023	70030-01249	STABILIZER ASSEMBLY	2			4530B	0	0
024	70020-01217	2X10 HYDRAULIC CYLIN	2			4520B	0	0
024	70030-01248	2X14-1/2 HYDRAULIC C	2			4530B	0	0
025	70020-01253	13/16X1-1/4X1 BUSHIN	4				0	0
026	70020-01117	HOSE CLAMP	2				0	0
027	70020-01230	SHIELD HOSE PROTECTO	2				0	0
028	70020-01290	GROMMET .25X1.0X1.38	2				0	0
029	70030-01206	LOWER SEAT SUPPORT A	1				0	0
030	70020-01228	BRACKET ASY SEAT-LOW	1				0	0
031	70020-00015	SEAT	1				0	0
032	70030-01340	DECAL-KUBOTA WHITE	1				0	0
033	70020-00400	BH MAINTENACE AND IN	1				0	0
034	70020-01282	BH CONTROLS DECAL	1				0	0
035	70020-01279	STABILIZER CONTROL D	1				0	0
036	70020-01320	SAFETY DECAL SET	1				0	0
037	70030-01243	UPPER SEAT SUPPORT A	1				0	0

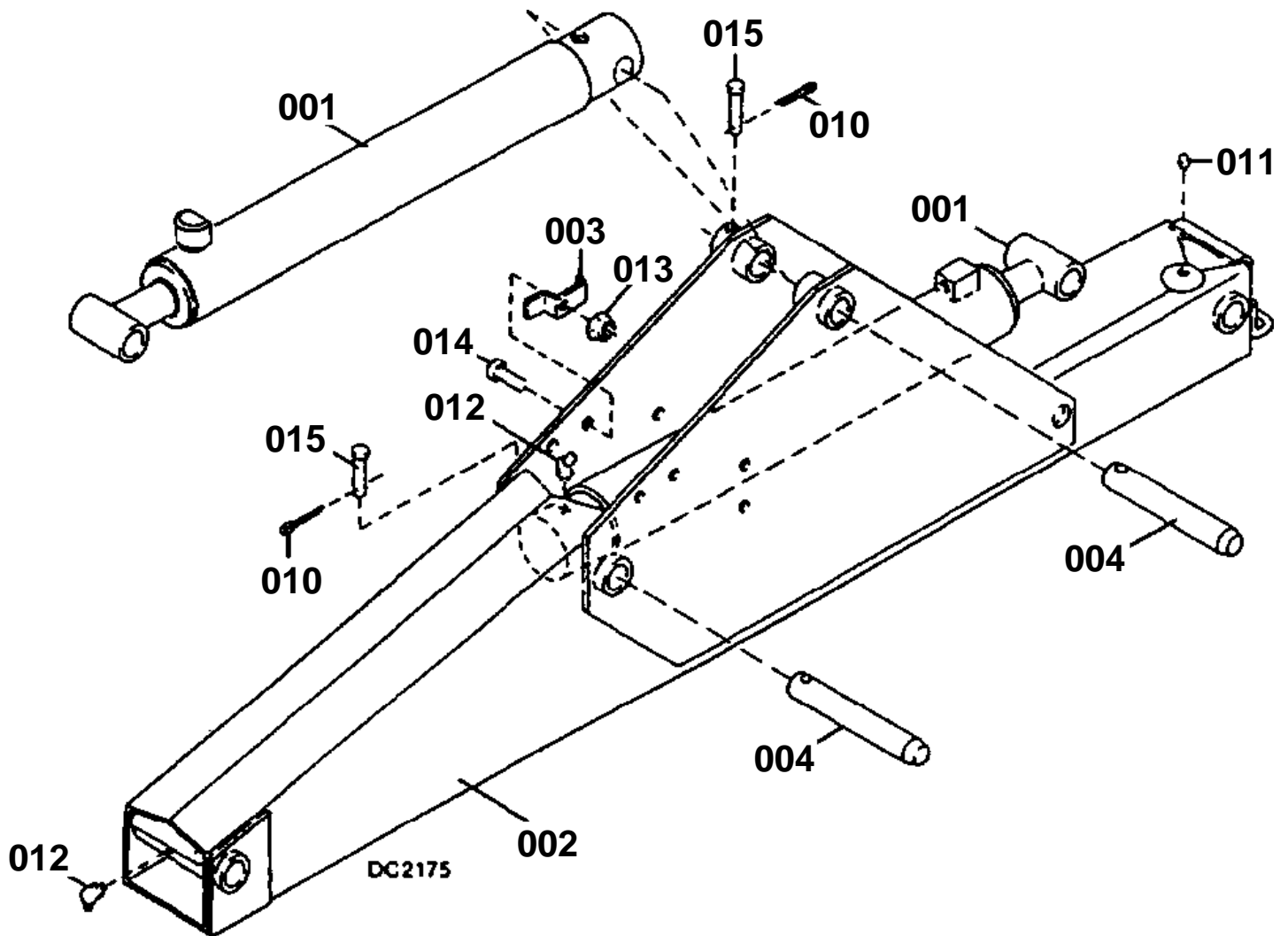




## 4250B BOOM ASSEMBLY

↔ Interchangeable; ≠ not interchangeable; ← new for old; → old for new

REF.No	Part No.	Description	Q'ty	S.No.	I/C	REMARKS	Weight (kgf)	Weight (lb)
001	70020-01218	2X16-3/4 HYDRAULIC C	1				0	0
002	70030-01250	HOSE CLAMP	1				0	0
003	70020-01256	HOSE CLAMP	2				0	0
004	70020-01264	BOOM WELDMENT ASY	1				0	0
005	70020-01219	2-1/2X16-3/4 HYDRAUL	1				0	0
006	70020-01248	PIN CROWD CYLINDER	1				0	0
007	70020-01257	PIN PIVOT	1				0	0



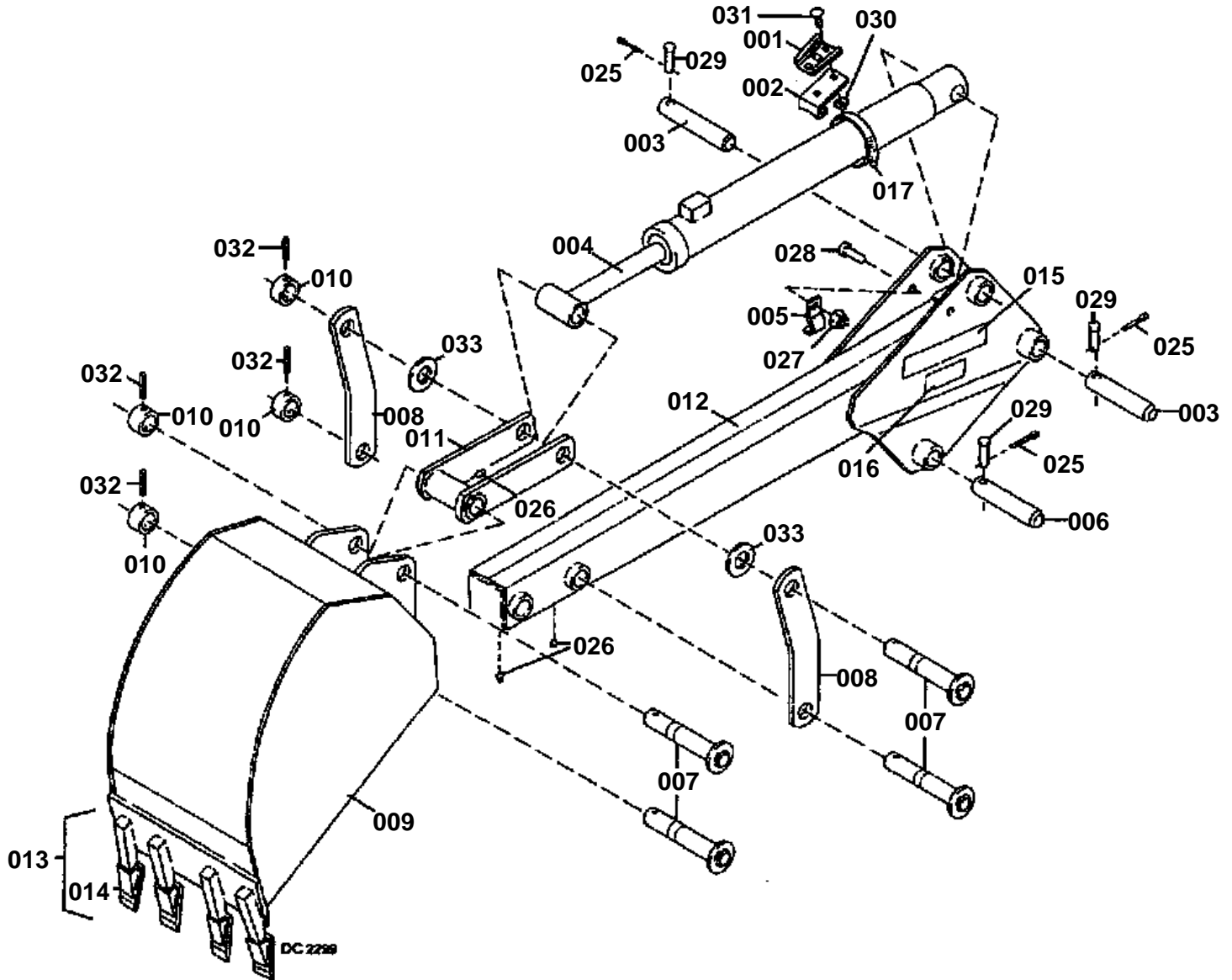


# 4530B BOOM ASSEMBLY

↔ Interchangeable; ≠ not interchangeable; ← new for old; → old for new

REF.No	Part No.	Description	Q'ty	S.No.	I/C	REMARKS	Weight (kgf)	Weight (lb)
001	70020-01219	2-1/2X16-3/4 HYDRAUL	2				0	0
002	70030-01297	BOOM WELDMENT ASY	1				0	0
003	70030-01314	CYLINDER HOSE CLAMP	1				0	0
004	70020-01257	PIN PIVOT	2				0	0



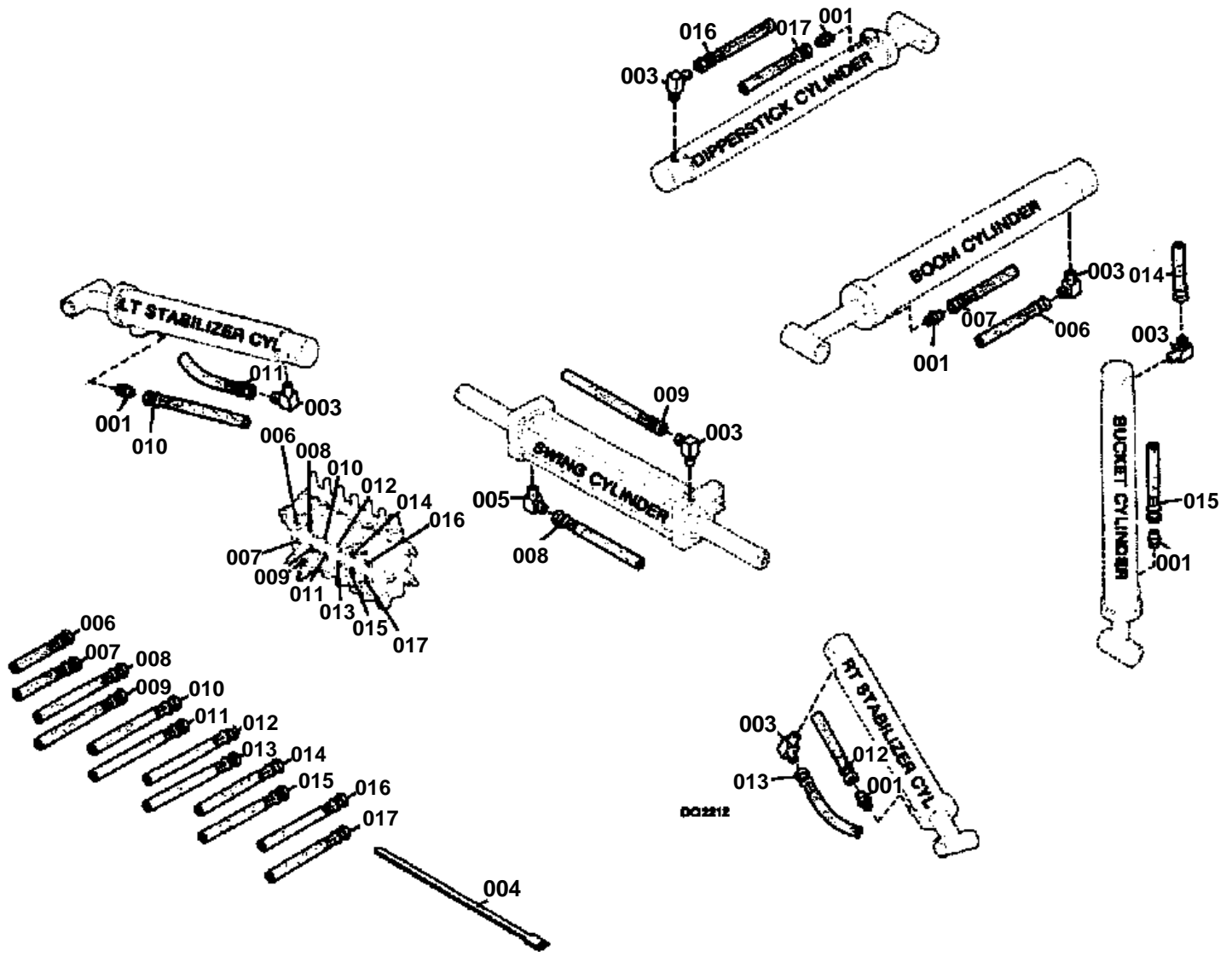




## 4520B & 4530B DIPPERSTICK & BUCKET ASSEMBLY

↔ Interchangeable; ≠ not interchangeable; ← new for old; → old for new

REF.No	Part No.	Description	Q'ty	S.No.	I/C	REMARKS	Weight (kgf)	Weight (lb)
001	70030-01357	SOCKET SMV EMBLEM	1				0	0
002	70020-01227	BRACKET SOCKET-SMV	1				0	0
003	70020-01247	PIN PIVOT	2				0	0
004	70020-01218	2X16-3/4 HYDRAULIC C	1				0	0
005	70020-01256	CLAMP HOSE	1				0	0
006	70020-00047	PIVOT PIN BOOM	1				0	0
007	70030-01358	ROTATING PIVOT PIN	4				0	0
008	70030-01359	LINK ARM	2				0	0
009	99999-99999	10 BH BUCKET (STANDA	1			B/L4527B	0	0
009	99999-99999	12 BH BUCKET (STANDA	1			B/L4528B	0	0
009	99999-99999	12 HEAVY-DUTY BACKHO	1			B/L4525B	0	0
009	99999-99999	16 BH BUCKET (STANDA	1			B/L4529B	0	0
009	99999-99999	16 HEAVY-DUTY BACKHO	1			B/L4526B	0	0
009	99999-99999	24 BH BUCKET (STANDA	1			L4538B	0	0
010	70030-01366	PIVOT PIN RETAINING	4				0	0
011	70030-01367	BUCKET ARM	1				0	0
012	70030-01368	CROWD WELDMENT ASSEM	1			4520B	0	0
012	70030-01369	CROWD WELDMENT ASSEM	1			4530B	0	0
013	70030-01256	SHANK & TOOTH ASSEMB	1				0	0
013	70030-01370	SHANK & TOOTH ASSEMB	1				0	0
014	70020-00103	TOOTH EXCAVATION (ST	1				0	0
014	70030-01371	BUCKET TOOTH 2/0 (HE	1				0	0
015	70030-01340	KUBOTA DECAL WHITE	2				0	0
016	70030-01372	DECAL	2			4520B	0	0
016	70030-01373	DECAL	2			4530B	0	0
017	70020-00132	CLAMP HOSE	1				0	0

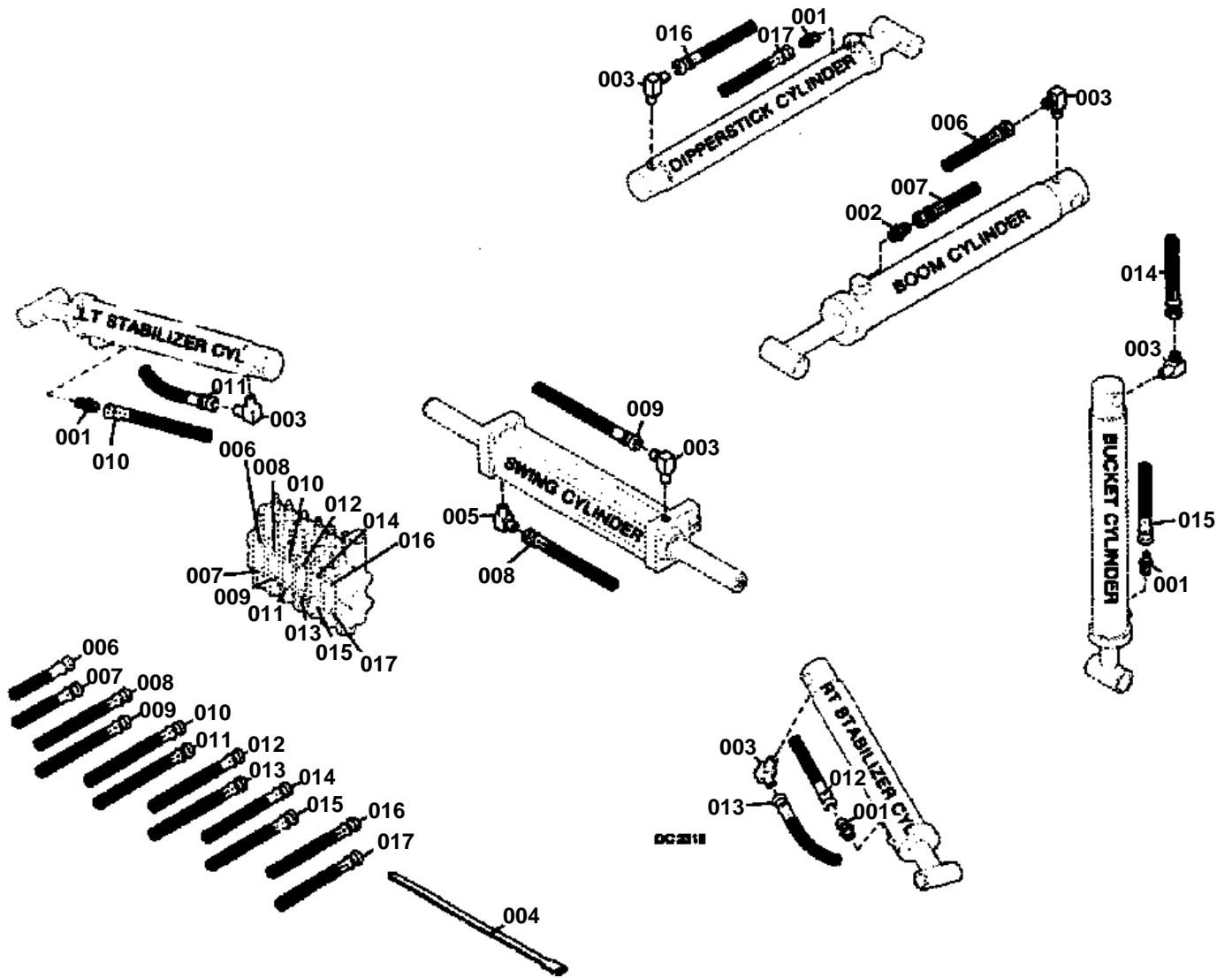




## 4520B HOSES & FITTINGS

↔ Interchangeable; ≠ not interchangeable; ← new for old; → old for new

REF.No	Part No.	Description	Q'ty	S.No.	I/C	REMARKS	Weight (kgf)	Weight (lb)
001	70020-01287	CONNECTOR	5				0	0
003	70020-01202	9/16-18X1/4 NPTF 90	6				0	0
004	70020-01322	HYDRAULIC HOSE TIE 7	2				0	0
005	70030-01302	9/16X1/4 NPT 90 FITT	1				0	0

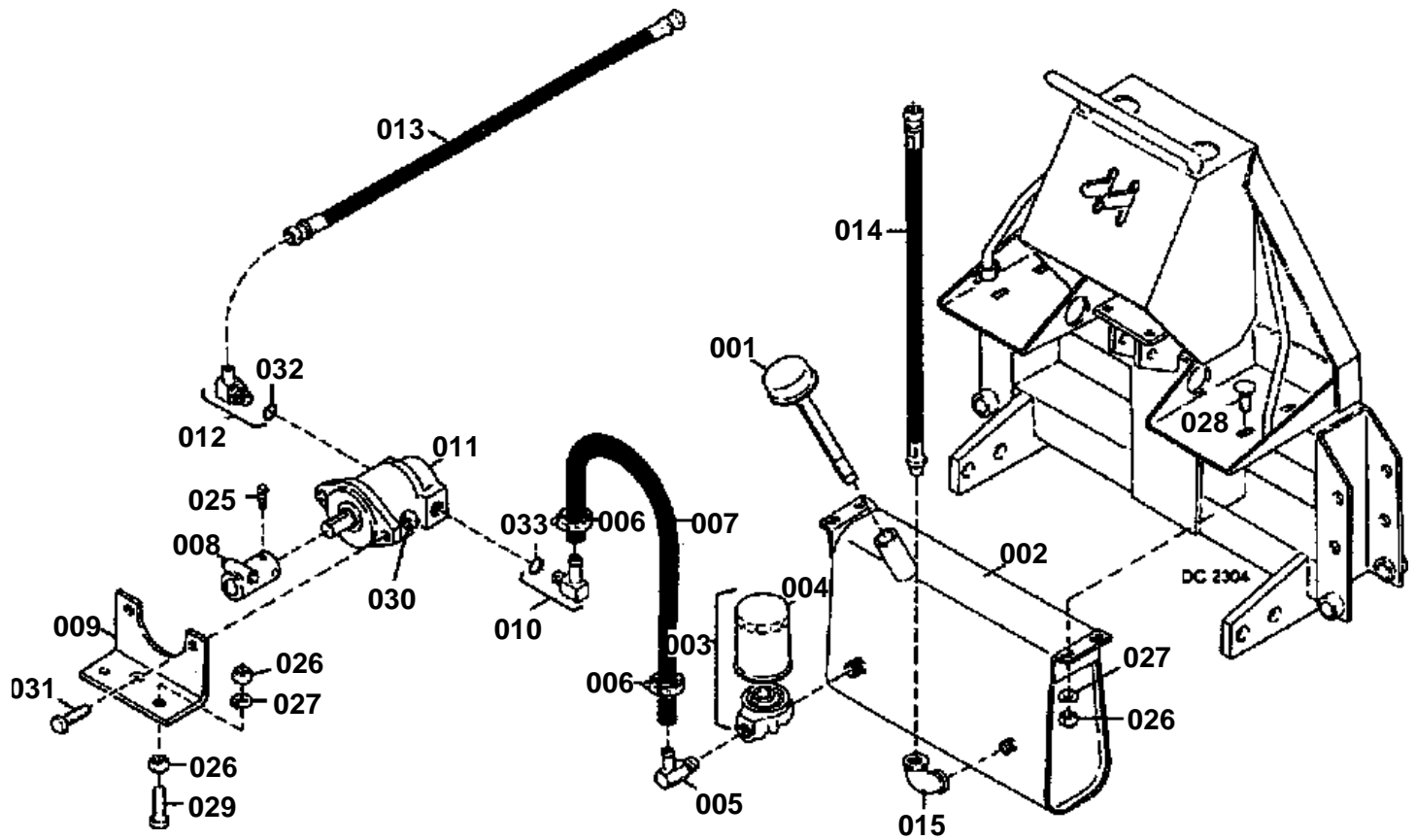




## 4530B HOSES & FITTINGS

↔ Interchangeable; ≠ not interchangeable; ← new for old; → old for new

REF.No	Part No.	Description	Q'ty	S.No.	I/C	REMARKS	Weight (kgf)	Weight (lb)
001	70020-01287	CONNECTOR	4				0	0
002	70030-01251	9/16X1/4 MALE RESTRI	1				0	0
003	70020-01202	9/16-18X1/4 NPTF 90	6				0	0
004	70020-01322	HYDRAULIC HOSE TIE 7	2				0	0
005	70030-01302	9/16X1/4NPT 90 FITTI	1				0	0



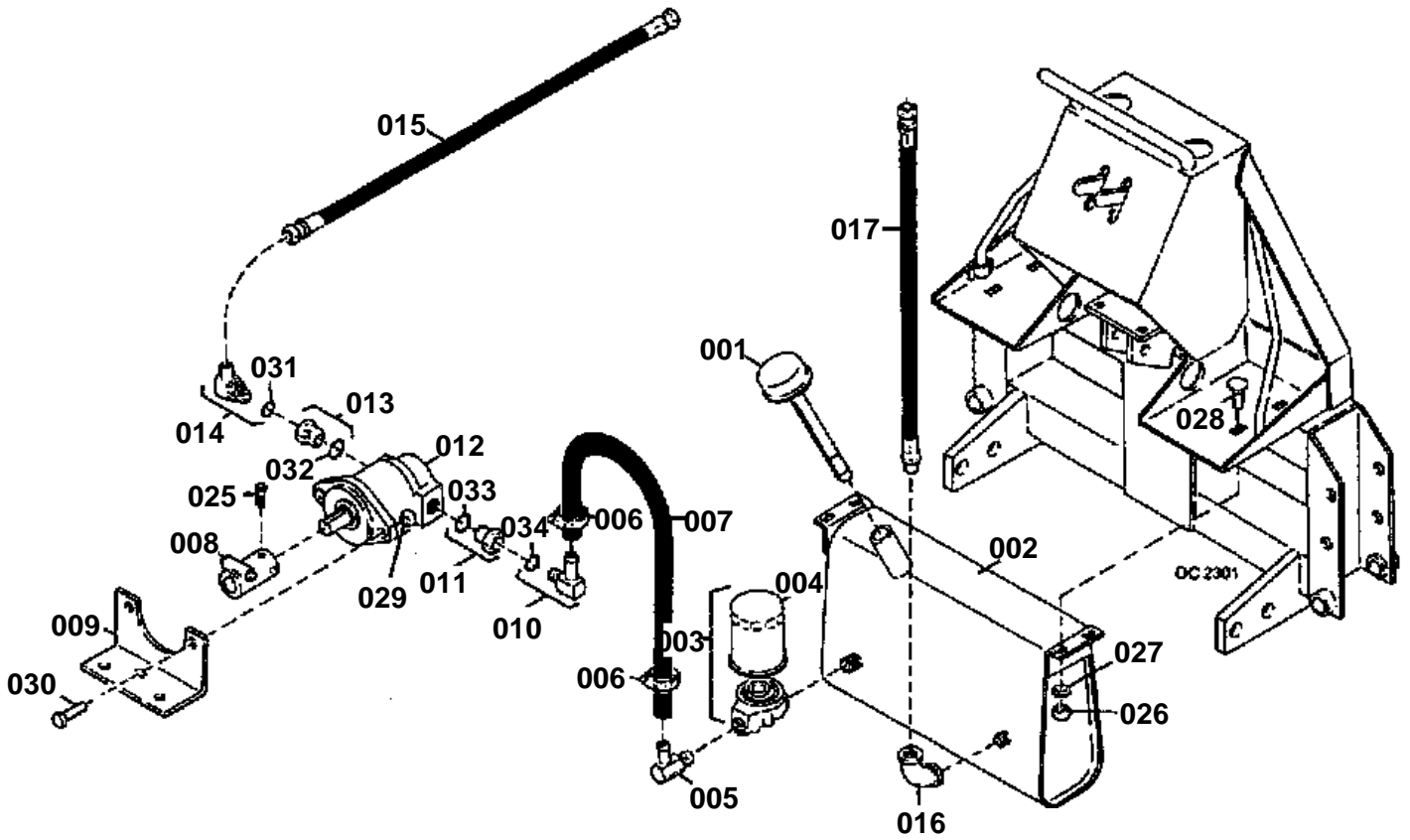


# 4520B TANK & PUMP ASSEMBLY

↔ Interchangeable; ≠ not interchangeable; ← new for old; → old for new

REF.No	Part No.	Description	Q'ty	S.No.	I/C	REMARKS	Weight (kgf)	Weight (lb)
001	70020-00167	TANK BREATHER CAP WI	1				0	0
002	70020-01243	TANK ASSEMBLY	1				0	0
003	70020-01221	FILTER & HOUSING ASY	1				0	0
004	70020-01232	FILTER ELEMENT	1				0	0
005	70020-01291	3/4 HOSE X3/4 PIPE 9	1				0	0
006	99999-99999	1/2 SCREW HOSE CLAMP	2			OBTAIN LOCALLY	0	0
007	70020-01215	3/4X40 LOW PRESSURE	1				0	0
008	70020-01246	PUMP DRIVE COUPLER	1				0	0
009	70020-01225	PUMP MOUTING PLATE	1				0	0
010	70020-01288	1-1/16-12X3/4 HOSE 9	1				0	0
011	70020-01211	PUMP ASSEMBLY COMPLE	1				0	0
012	70020-01280	7/8-14X9/16 FLARE 90	1				0	0
013	70020-01204	9/16 FLARE X9/16 FLA	1				0	0
014	70030-01270	9/16 FLARE X1/2 NPT	1				0	0
015	70220-01292	1/2X1/2 90 PIPE ELBO	1			OBTAIN LOCALLY	0	0



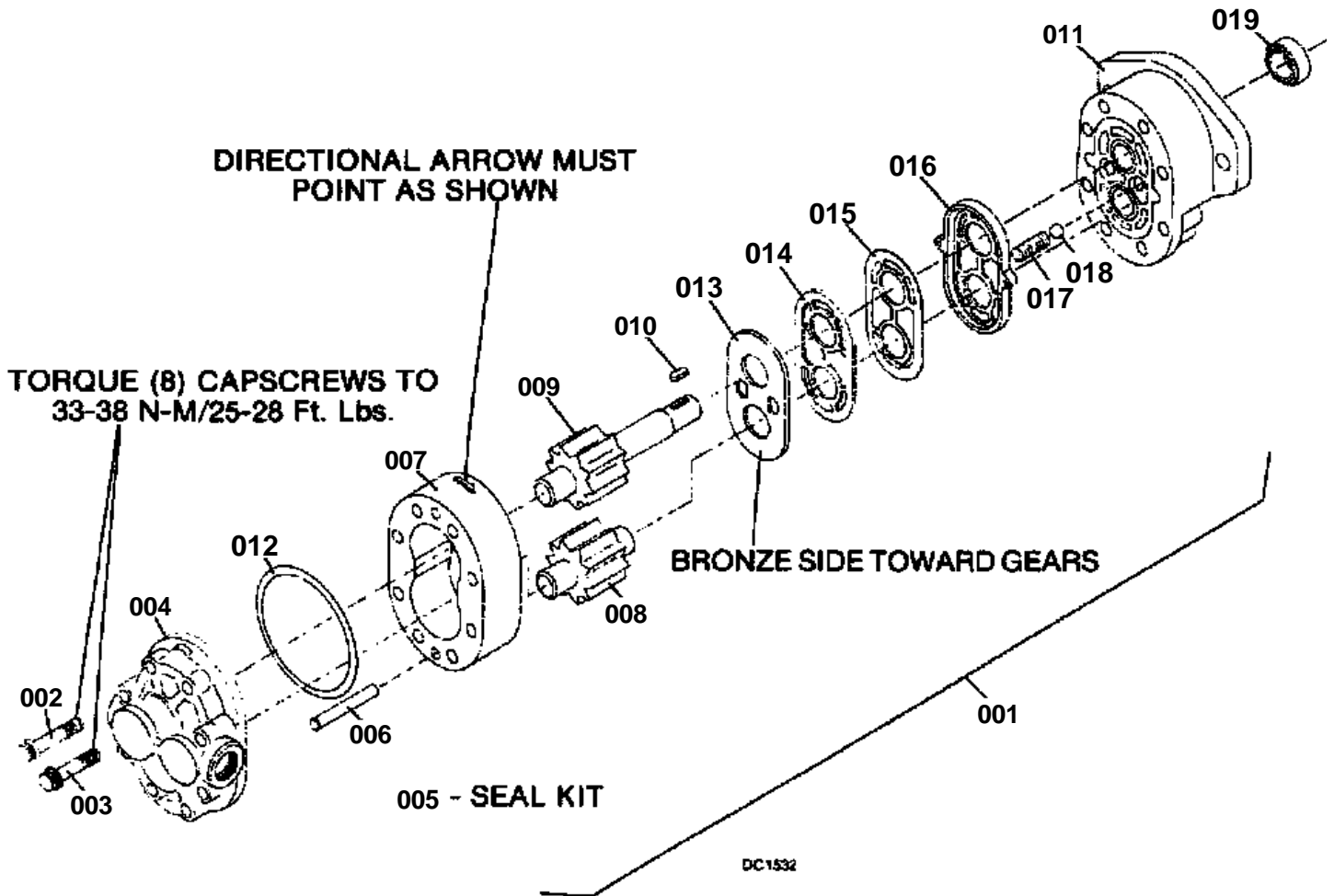




# 4530B TANK & PUMP ASSEMBLY

↔ Interchangeable; ≠ not interchangeable; ← new for old; → old for new

REF.No	Part No.	Description	Q'ty	S.No.	I/C	REMARKS	Weight (kgf)	Weight (lb)
001	70020-00167	TANK BREATHER CAP WI	1				0	0
002	70020-01243	TANK ASSEMBLY	1				0	0
003	70020-01221	FILTER & HOUSING ASY	1				0	0
004	70020-01232	FILTER ELEMENT	1				0	0
005	70020-01291	3/4 HOSE X3/4 PIPE 9	1				0	0
006	99999-99999	1/2 SCREW HOSE CLAMP	2			OBTAIN LOCALLY	0	0
007	70020-01215	3/4X40 LOW PRESSURE	1				0	0
008	70030-01294	PUMP DRIVE COUPLER	1				0	0
009	70030-01230	PUMP MOUNTING BRACKE	1				0	0
010	70020-01288	1-1/16-12X3/4 HOSE 9	1				0	0
011	70030-01266	1-5/8-12X1-1/16-12 R	1				0	0
012	70030-01262	PUMP ASSEMBLY COMPLE	1				0	0
013	70030-01293	1-5/16-12X7/8-14 RED	1				0	0
014	70020-01280	7/8-14X9/16 FLARE 90	1				0	0
015	70020-01204	9/16 FLARE X9/16 FLA	1				0	0
016	70020-01292	1/2X1/2 90 PIPE ELBO	1			OBTAIN LOCALLY	0	0
017	70030-01270	9/16 FLARE X1/2 NPT	1				0	0

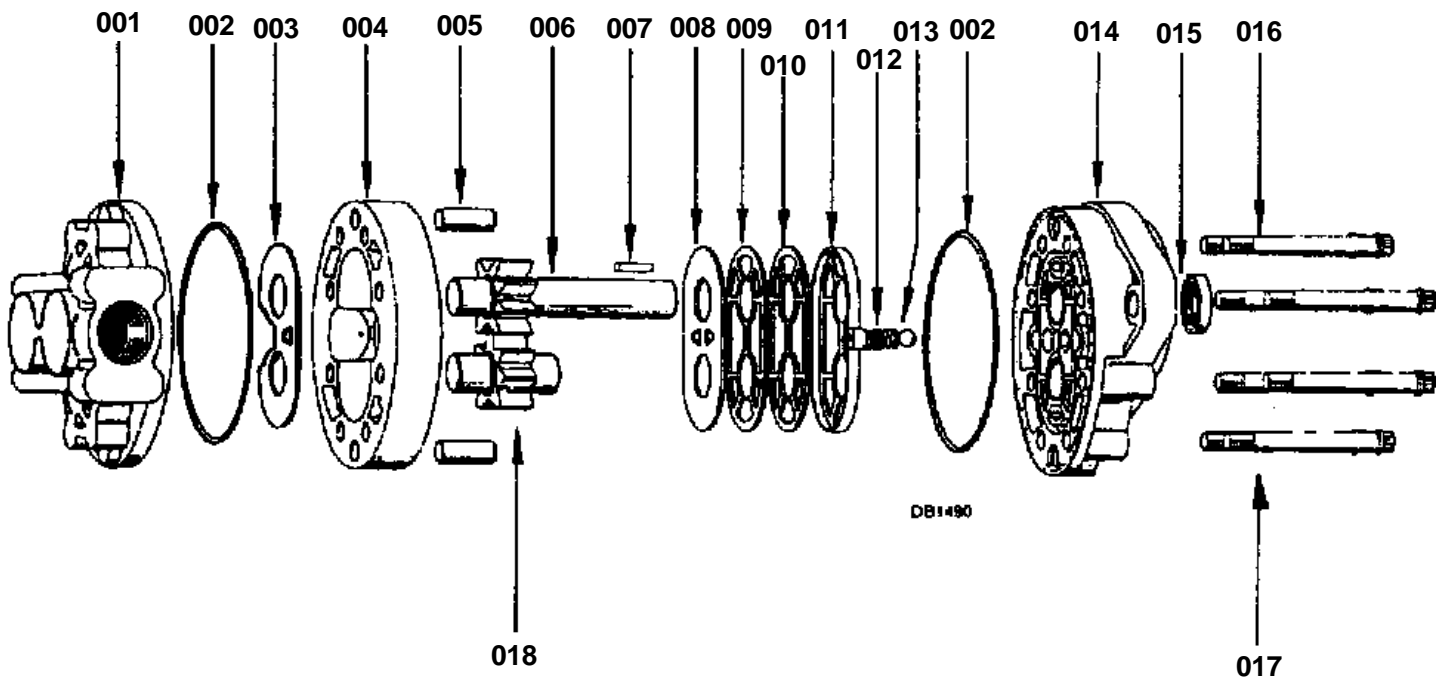




## 4520B GEAR PUMP ASSEMBLY

↔ Interchangeable; ≠ not interchangeable; ← new for old; → old for new

REF.No	Part No.	Description	Q'ty	S.No.	I/C	REMARKS	Weight (kgf)	Weight (lb)
001	70020-01211	HYD.GEAR PUMP ASY CO	1				0	0
002	99999-99999	3-1/4X5/16-18 INDENT	4			NSS	0	0
003	99999-99999	3X5/16-18 INDENTED F	4			NSS	0	0
004	99999-99999	REAR HOUSING	1			NSS	0	0
005	70020-01277	SEAL KIT (CONTAINS I	1				0	0
006	99999-99999	DOWEL PIN	2			NSS	0	0
007	99999-99999	BODY	1			NSS	0	0
008	99999-99999	IDLER GEAR ASSMBLY	1			NSS	0	0
009	99999-99999	DRIVE GEAR ASSEMBLY	1			NSS	0	0
010	70020-01245	5/32 SQUARE X11/16 K	1				0	0
011	99999-99999	FRONT HOUSING	1			NSS	0	0
012	99999-99999	O-RING	1			ISK	0	0
013	99999-99999	DIAPHRAGM	1			ISK	0	0
014	99999-99999	BACKUP GASKET	1			ISK	0	0
015	99999-99999	PROTECTOR GASKET	1			ISK	0	0
016	99999-99999	DIAPHRAGM SEAL	1			ISK	0	0
017	99999-99999	SPRING	2			ISK	0	0
018	99999-99999	BALL	2			ISK	0	0
019	70030-01258	1-1/8 OD X11/16 OIL	1				0	0



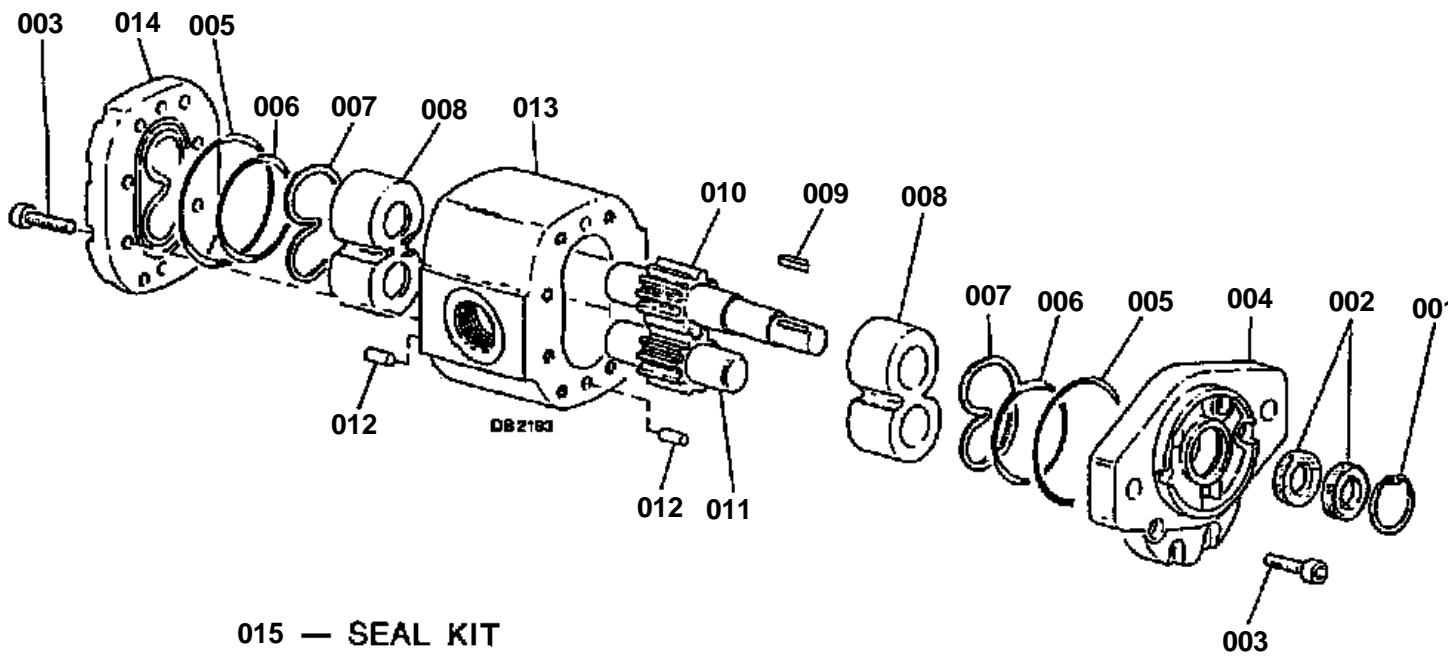
019- Gear Pump Assembly



# 4530B CESSNA GEAR PUMP ASSEMBLY

↔ Interchangeable; ≠ not interchangeable; ← new for old; → old for new

REF.No	Part No.	Description	Q'ty	S.No.	I/C	REMARKS	Weight (kgf)	Weight (lb)
001	99999-99999	BACK PLATE ASSEMBLY	1				0	0
002	99999-99999	O-RING	2			NSS	0	0
003	99999-99999	THRUST PLATE	1			NSS	0	0
004	99999-99999	BODY	1				0	0
005	99999-99999	DOWEL PIN	2				0	0
006	99999-99999	DRIVE GEAR ASSEMBLY	1				0	0
007	70030-01259	1/4X1/4X15/16 KEY	1				0	0
008	99999-99999	DIAPHRAGM	1			NSS	0	0
009	99999-99999	BACKUP GASKET	1			NSS	0	0
010	99999-99999	PROTECTOR GASKET	1			NSS	0	0
011	99999-99999	DIAPHRAGM SEAL	1			NSS	0	0
012	99999-99999	SPRING	2				0	0
013	99999-99999	STEEL BALL	2				0	0
014	99999-99999	FRONT PLATE ASSEMBLY	1				0	0
015	70030-01260	SHAFT SEAL	1				0	0
016	99999-99999	TIE BOLT	4				0	0
017	99999-99999	TIE BOLT	4				0	0
018	99999-99999	IDLER GEAR ASSEMBLY	1				0	0
019	70030-01262	GEAR PUMP ASSEMBLY 2	1				0	0
020	70030-01261	SEAL KIT COMPLETE	1			INCLUDES REF.No.002 003 008 009 010 011	0	0



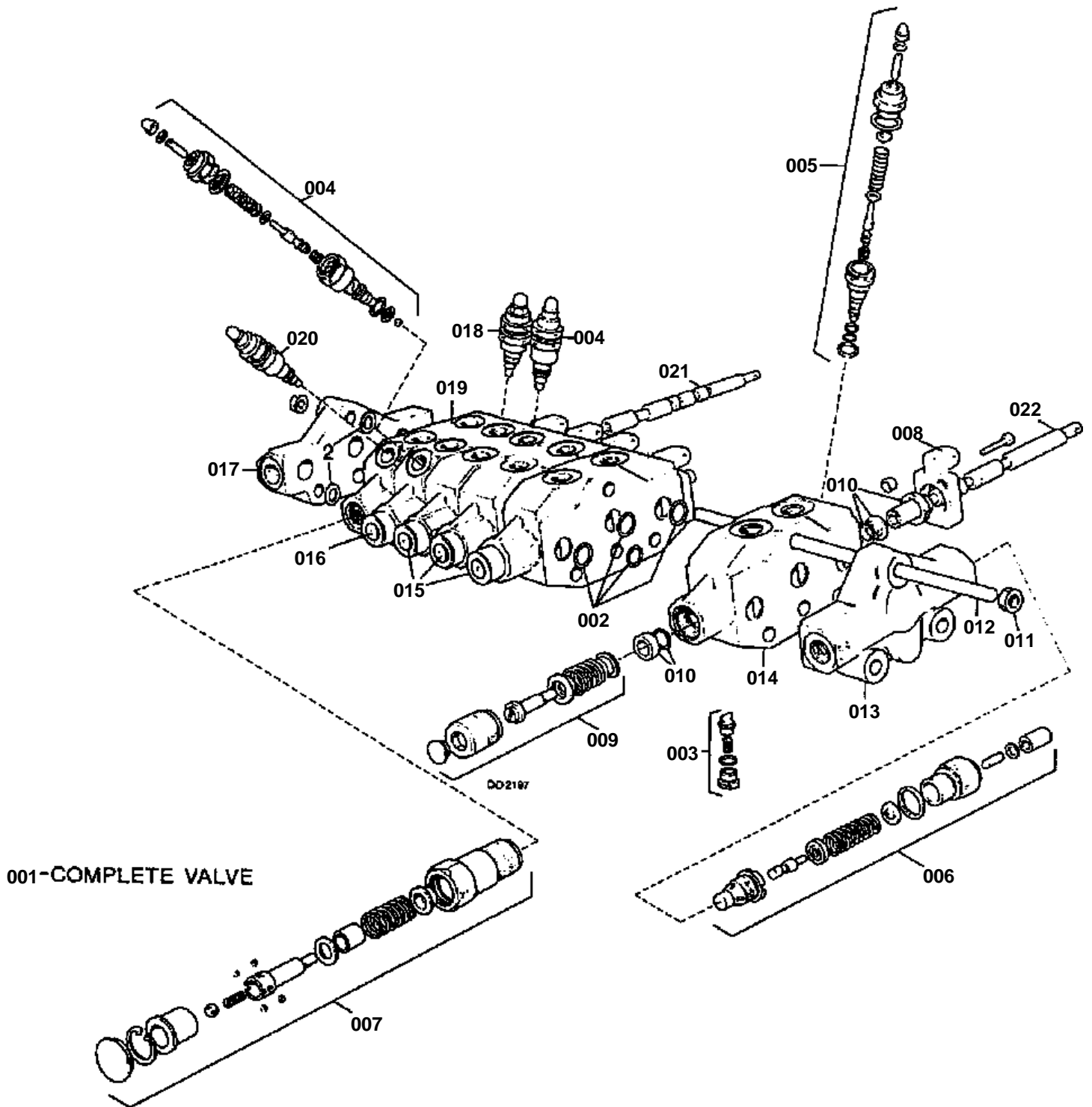
**4530B FENNER-STONE HYDRAULIC GEAR PUMP ASSEMBLY**

↔ Interchangeable; ≠ not interchangeable; ← new for old; → old for new

REF.No	Part No.	Description	Q'ty	S.No.	I/C	REMARKS	Weight (kgf)	Weight (lb)
001	99999-99999	SNAP RING	1			ISK	0	0
002	99999-99999	SHAFT SEAL	2			ISK	0	0
003	70030-01378	HEX HEAD BOLT	16				0	0
004	70030-01379	FLANGE	1				0	0
005	99999-99999	O-RING	2			ISK	0	0
006	99999-99999	O-RING	2			ISK	0	0
007	99999-99999	NYLON BACK-UP RING	2			ISK	0	0
008	70030-01380	BEARING BLOCK	2				0	0
009	70030-01381	DRIVE SHAFT KEY	1				0	0
010	99999-99999	DRIVE GEAR AND SHAFT	1			NSS	0	0
011	99999-99999	IDLER GEAR AND SHAFT	1			NSS	0	0
012	70030-01384	DOWEL PIN	4				0	0
013	70030-01385	BODY	1				0	0
014	70030-01386	COVER	1				0	0
015	70030-01387	SEAL KIT	1			INCLUDES ITEMS REF.No.001 002 005 006 &	0	0
016	70030-01262	GEAR PUMP ASSEMBLY 2	1				0	0
017	70030-01382	DRIVE GEAR & IDLER G	1			INCLUDES ITEMS REF.No.010 & 011	0	0



4520B & 4530B CONSOLE VALVE ASSEMBLY

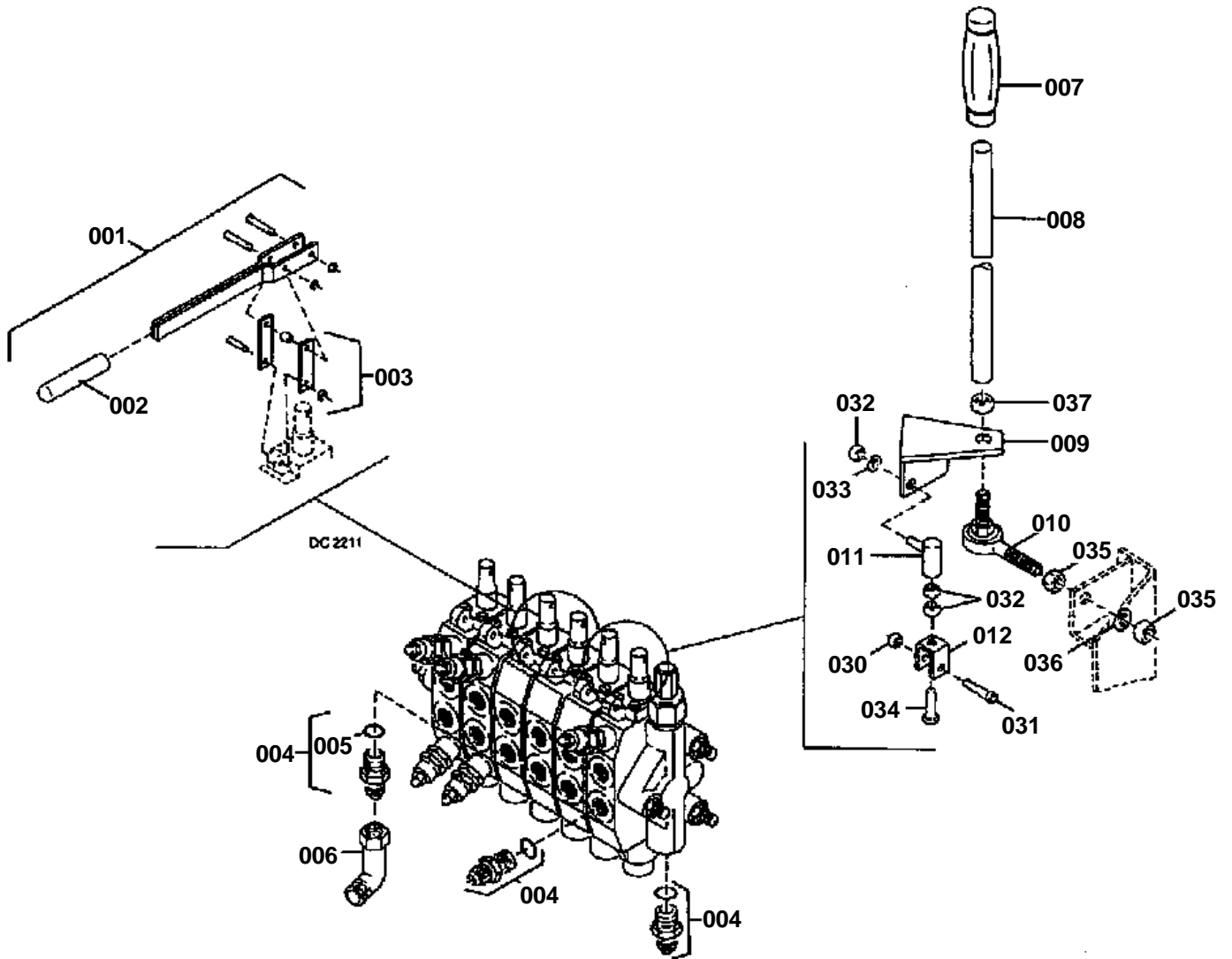




## 4520B & 4530B CONSOLE VALVE ASSEMBLY

↔ Interchangeable; ≠ not interchangeable; ← new for old; → old for new

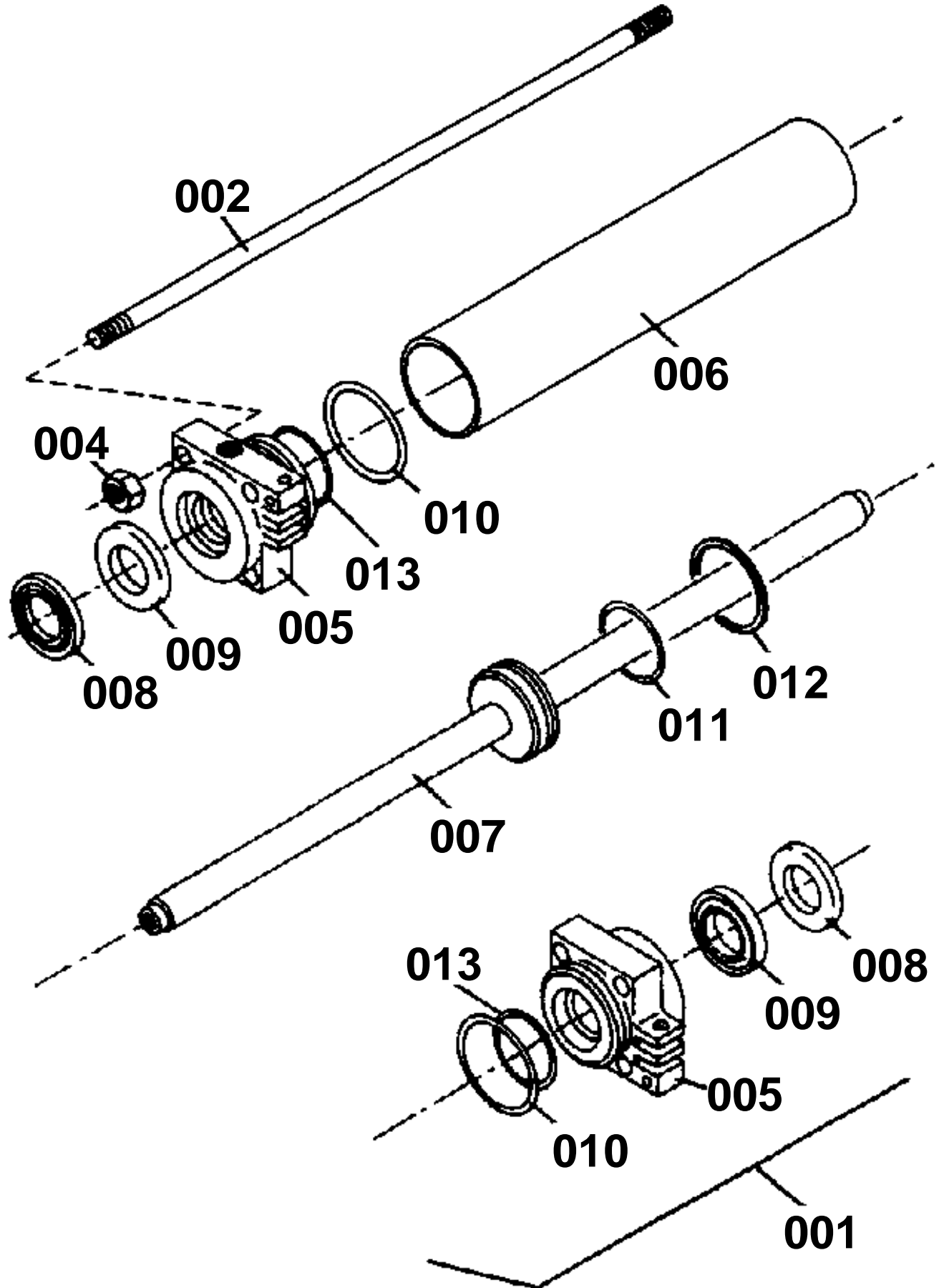
REF.No	Part No.	Description	Q'ty	S.No.	I/C	REMARKS	Weight (kgf)	Weight (lb)
001	70030-01334	CONSOLE VALVE	1				0	0
002	70030-01388	SECTION SEAL REPAIR	1				0	0
003	70030-01389	CHECK VALVE ASSEMBLY	6				0	0
004	70030-01390	SHOCK/DAMPENING VALV	2				0	0
005	70030-01391	SHOCK/DAMPENING VALV	1				0	0
006	70030-01392	RELIEF VALVE ASSEMBL	1				0	0
007	70030-01393	SPOOL POSITION CONTR	1				0	0
008	70030-01394	LEVER BRACKET	6				0	0
009	70030-01395	SPOOL POSITION CONTR	5				0	0
010	70030-01396	SPOOL REPAIR KIT	6				0	0
011	70030-01347	8MM X 1.25MM PITCH H	6				0	0
012	70030-01397	M8 X 1.25 X 276 TIE	3				0	0
013	70030-01398	FRONT PORT INLET SEC	1				0	0
014	70030-01399	DIPPERSTICK SEGMENT	1				0	0
015	70030-01341	BUCKET AND STABILIZE	3				0	0
016	70030-01342	SWING SEGMENT COMPLE	1				0	0
017	70030-01343	STANDARD EXHAUST SEC	1				0	0
018	70030-01344	SHOCK/DAMPENING VALV	1				0	0
019	70030-01345	BOOM SEGMENT COMPLET	1				0	0
020	70030-01346	SHOCK/DAMPENING VALV	1				0	0
021	99999-99999	SPOOL (USED ON BOOM	1				0	0
022	99999-99999	SPOOL	5				0	0



**4520B & 4530B VALVE CONTROLS & HARDWARE**

↔ Interchangeable; ≠ not interchangeable; ← new for old; → old for new

REF.No	Part No.	Description	Q'ty	S.No.	I/C	REMARKS	Weight (kgf)	Weight (lb)
001	70030-01348	STABILIZER HANDLE AS	2				0	0
002	70030-01349	RUBBER HANDLE	2				0	0
003	70030-01291	LINK KIT	2				0	0
004	70020-00023	9/16-18 TO O-RING CO	14				0	0
006	70030-01289	9/16-18 SWIVEL NUT E	1				0	0
007	70020-00353	HANDLE GRIP	2				0	0
008	70020-01252	HANDLE CONTROL	2				0	0
009	70020-01250	ARM WELDMENT ASY HAN	2				0	0
010	70020-01289	BALL JOINT MALE STUD	2				0	0
011	70020-00078	BALL JOINT	4				0	0
012	70020-01255	CLIP	4				0	0

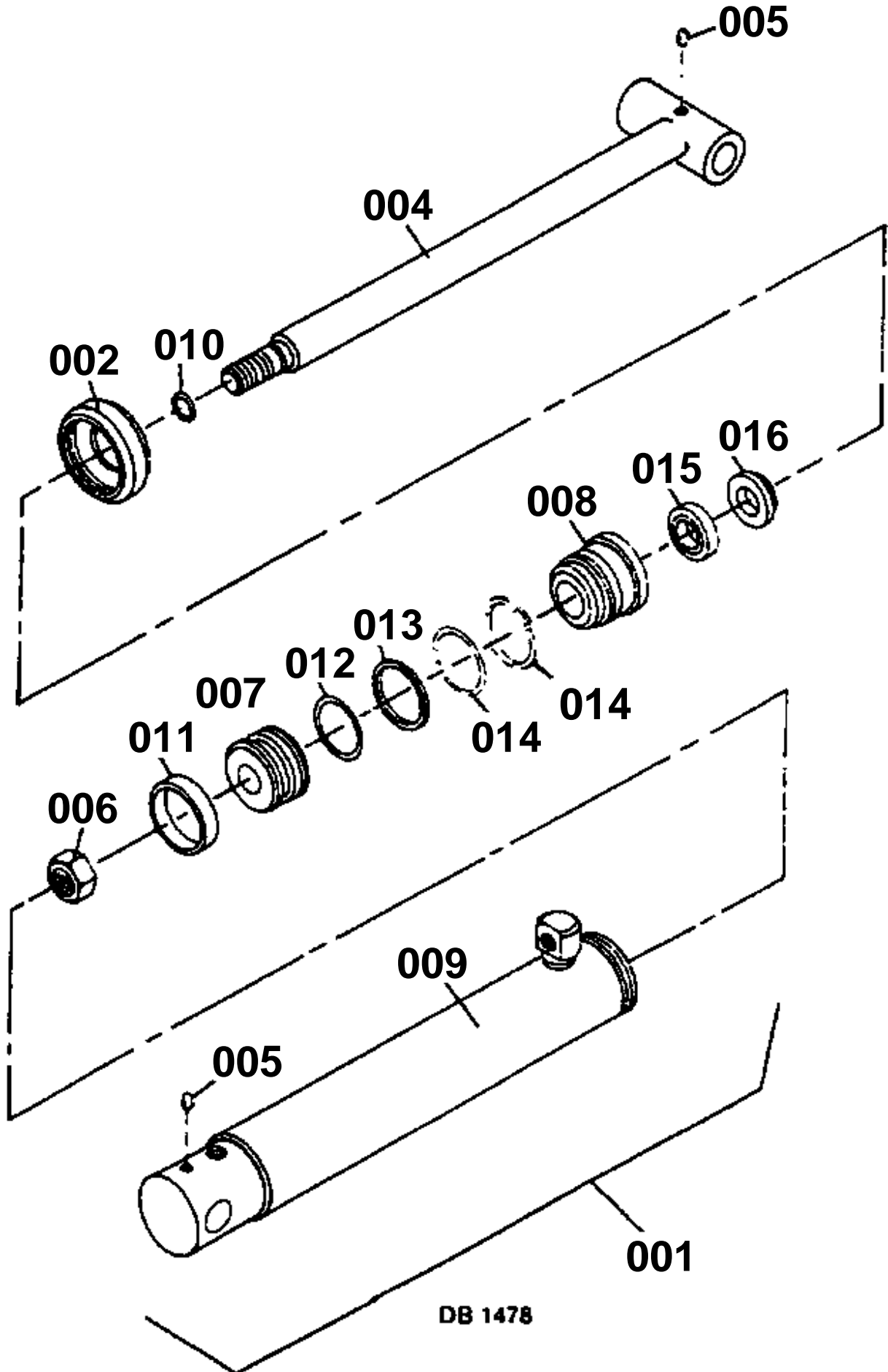


DB1483

**4520B & 4530B SWING CYLINDER**

↔ Interchangeable; ≠ not interchangeable; ← new for old; → old for new

REF.No	Part No.	Description	Q'ty	S.No.	I/C	REMARKS	Weight (kgf)	Weight (lb)
001	70020-01220	HYDRAULIC SWING CYLI	1			E	0	0
001	70020-01220	HYDRAULIC SWING CYLI	1			L	0	0
002	70020-01315	7/16 NF X 16 TIE ROD	4			E	0	0
002	70020-01315	7/16 NF X 16 TIE ROD	4			L	0	0
003	70030-01325	SEAL KIT (CONTAINS 3	1			[E] NOT SHOWN IN FIG.	0	0
003	70030-01325	SEAL KIT (CONTAINS 3	1			L	0	0
004	99999-99999	7/16 NF HEX NUT	8			OL	0	0
005	70030-01324	ROD GUIDE	2			E	0	0
005	70030-01324	ROD GUIDE	2			L	0	0
006	70030-01327	2-1/2 HYD.CYLINDER B	1			E	0	0
006	70020-01312	2-1/2 HYD.CYLINDER B	1			L	0	0
007	70030-01326	2-1/2 HYD.CYLINDER R	1			E	0	0
007	70020-01313	2-1/2 HYD.CYLINDER R	1			L	0	0
008	99999-99999	ROD WIPER	2			ISK	0	0
009	99999-99999	ROD SEAL	2			ISK	0	0
010	99999-99999	GLAND STATIC SEAL	2			ISK	0	0
011	99999-99999	O-RING	1			ISK	0	0
012	99999-99999	PISTON SEAL	1			ISK	0	0
013	99999-99999	BACKUP RING	2			ISK	0	0

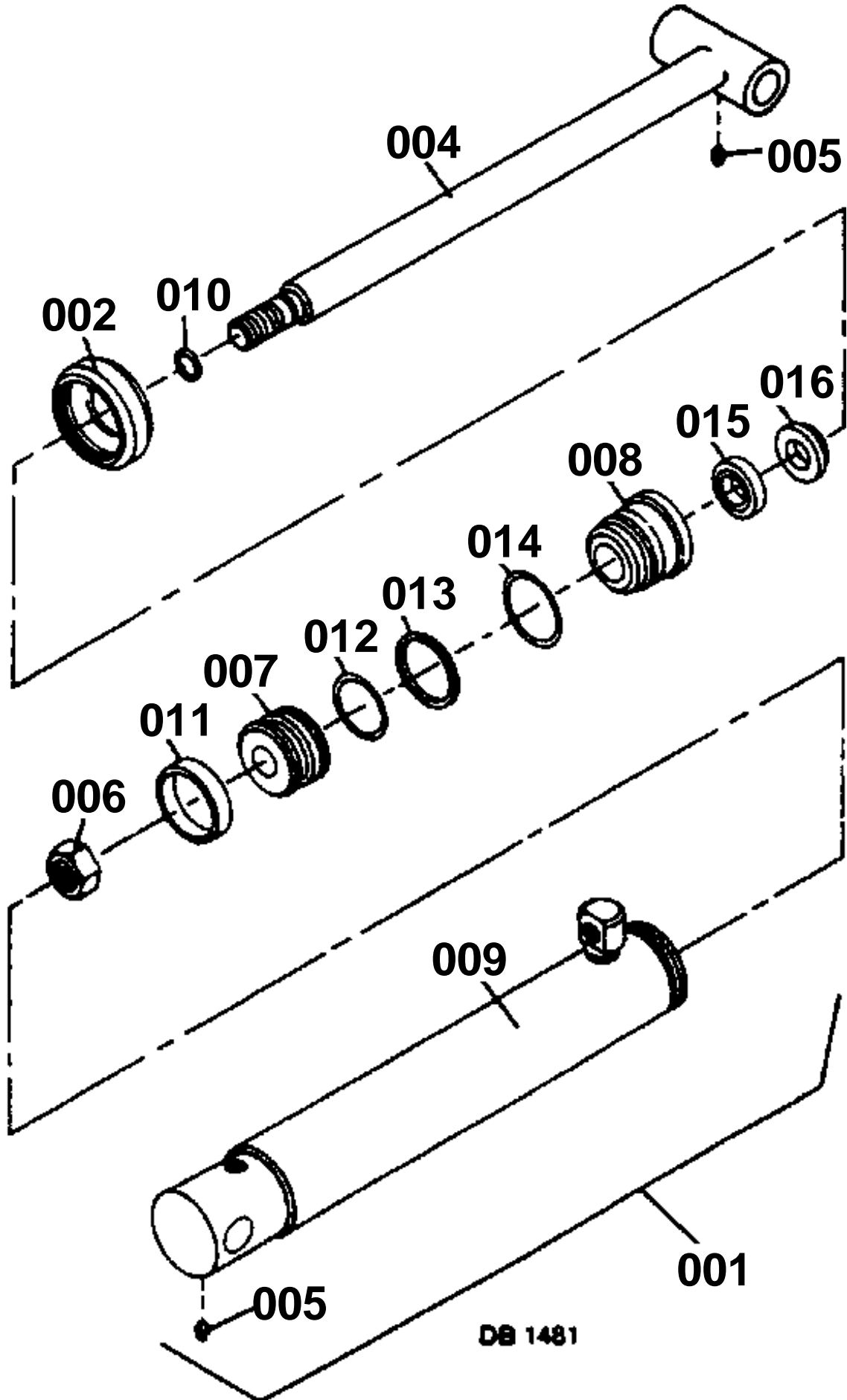


**4520B DIPPERSTICK & BUCKET CYLINDER 4530B BUCKET CYLINDER**

↔ Interchangeable; ≠ not interchangeable; ← new for old; → old for new

REF.No	Part No.	Description	Q'ty	S.No.	I/C	REMARKS	Weight (kgf)	Weight (lb)
001	70020-01218	2 X 16-3/4 HYD.CYLIN	1			E	0	0
001	70020-01218	2 X 16-3/4 HYD.CYLIN	1			L	0	0
002	70030-01308	COLLAR	1				0	0
002	70020-00085	COLLAR	1				0	0
003	70030-01307	SEAL KIT (INCLUDES 3	1			NOT SHOWN IN FIG.	0	0
003	70030-01307	SEAL KIT (INCLUDES 3	1				0	0
004	70030-01309	2 HYD.CILINDER ROD A	1				0	0
004	70020-01306	2 HYD.CILINDER ROD A	1				0	0
005	99999-99999	1/4-28 TAPER THREAD	2			OL	0	0
006	70020-01316	7/8 NC SELF LOCK HEX	1				0	0
006	70020-01316	7/8 NC SELF LOCK HEX	1				0	0
007	70030-01310	HYD.CYLINDER PISTON	1				0	0
007	70020-01305	HYD.CYLINDER PISTON	1				0	0
008	70030-01313	HYD.CYLINDER GLAND	1				0	0
008	70020-01304	HYD.CYLINDER GLAND	1				0	0
009	99999-99999	BARREL ASSEMBLY (NOT	1				0	0
010	99999-99999	ROD ATATIC SEAL	1			ISK	0	0
011	99999-99999	WEAR RING	1			ISK	0	0
012	99999-99999	O-RING	1			ISK	0	0
013	99999-99999	PISTON SEAL	1			ISK	0	0
014	99999-99999	GLAND STATIC SEAL	1			ISK	0	0
015	99999-99999	ROD SEAL	1			ISK	0	0
016	99999-99999	ROD WIPER	1			ISK	0	0

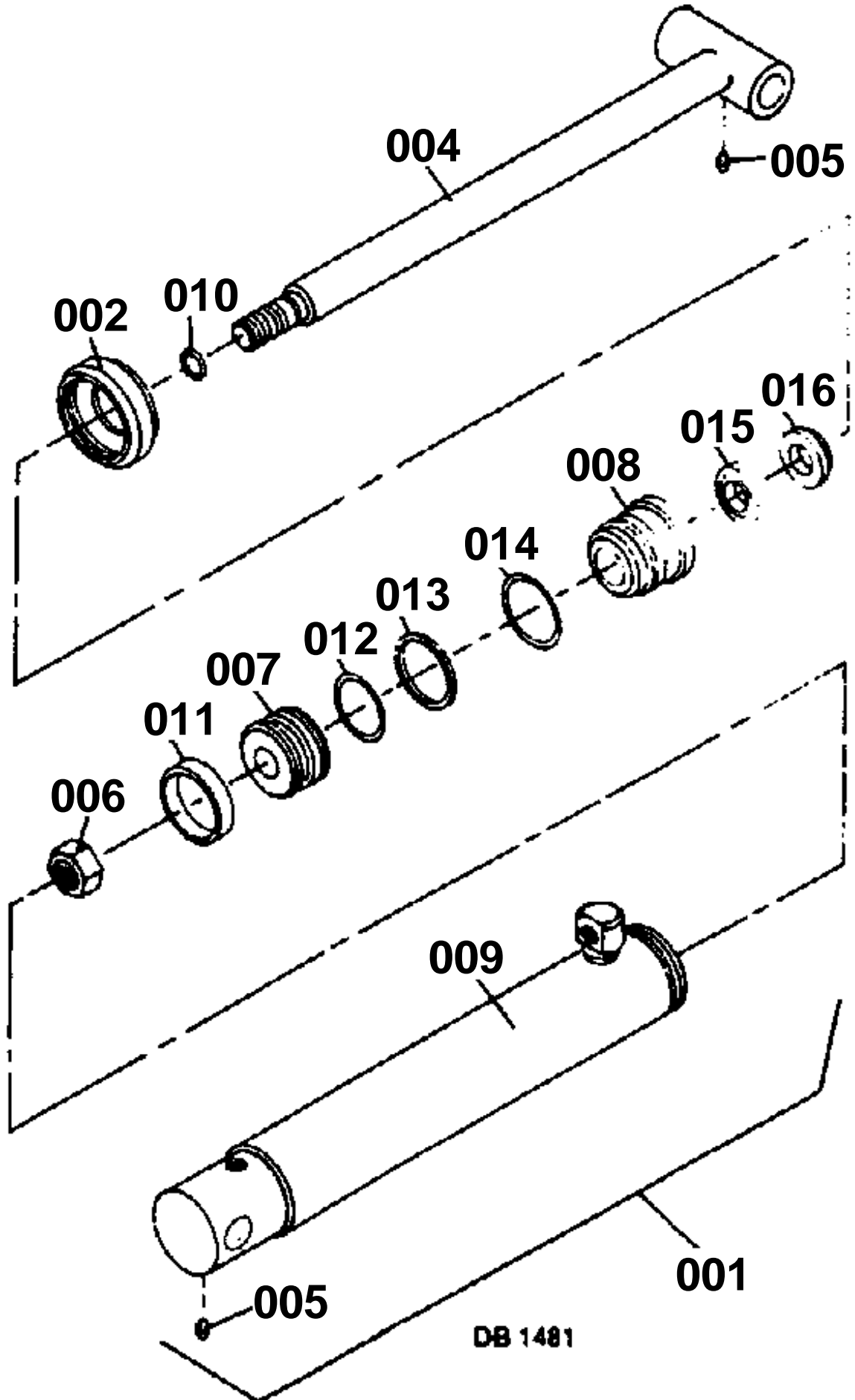




**4520B STABILIZER CYLINDER**

↔ Interchangeable; ≠ not interchangeable; ← new for old; → old for new

REF.No	Part No.	Description	Q'ty	S.No.	I/C	REMARKS	Weight (kgf)	Weight (lb)
001	70020-01217	2 X 10 HYDRAULIC CYL	1				0	0
001	70020-01217	2 X 10 HYDRAULIC CYL	1				0	0
002	70030-01308	COLLAR	1				0	0
002	70020-00085	COLLAR	1				0	0
003	70030-01307	SEAL KIT (CONTAINS 3	1			NOT SHOWN IN FIG.	0	0
003	70030-01307	SEAL KIT (CONTAINS 3	1				0	0
004	70030-01329	ROD ASSEMBLY	1				0	0
004	70030-01329	ROD ASSEMBLY	1				0	0
005	99999-99999	1/4-28 TAPERED THREA	2			OL	0	0
006	70020-01316	7/8 NC SELF LOCK HEX	1				0	0
006	70020-01316	7/8 NC SELF LOCK HEX	1				0	0
007	70030-01310	HYDRAULIC CYLINDER P	1				0	0
007	70030-01310	HYDRAULIC CYLINDER P	1				0	0
008	70030-01313	ROD GUIDE	1				0	0
008	70030-01304	ROD GUIDE	1				0	0
009	99999-99999	BARREL ASSEMBLY (NOT	1				0	0
010	99999-99999	ROD STATIC (SEAL)	1			ISK	0	0
011	99999-99999	WEAR RING	1			ISK	0	0
012	99999-99999	O-RING	1			ISK	0	0
013	99999-99999	PISTON SEAL	1			ISK	0	0
014	99999-99999	GLAND STATIC SEAL	1			ISK	0	0
015	99999-99999	ROD SEAL	1			ISK	0	0
016	99999-99999	ROD WIPER	1			ISK	0	0

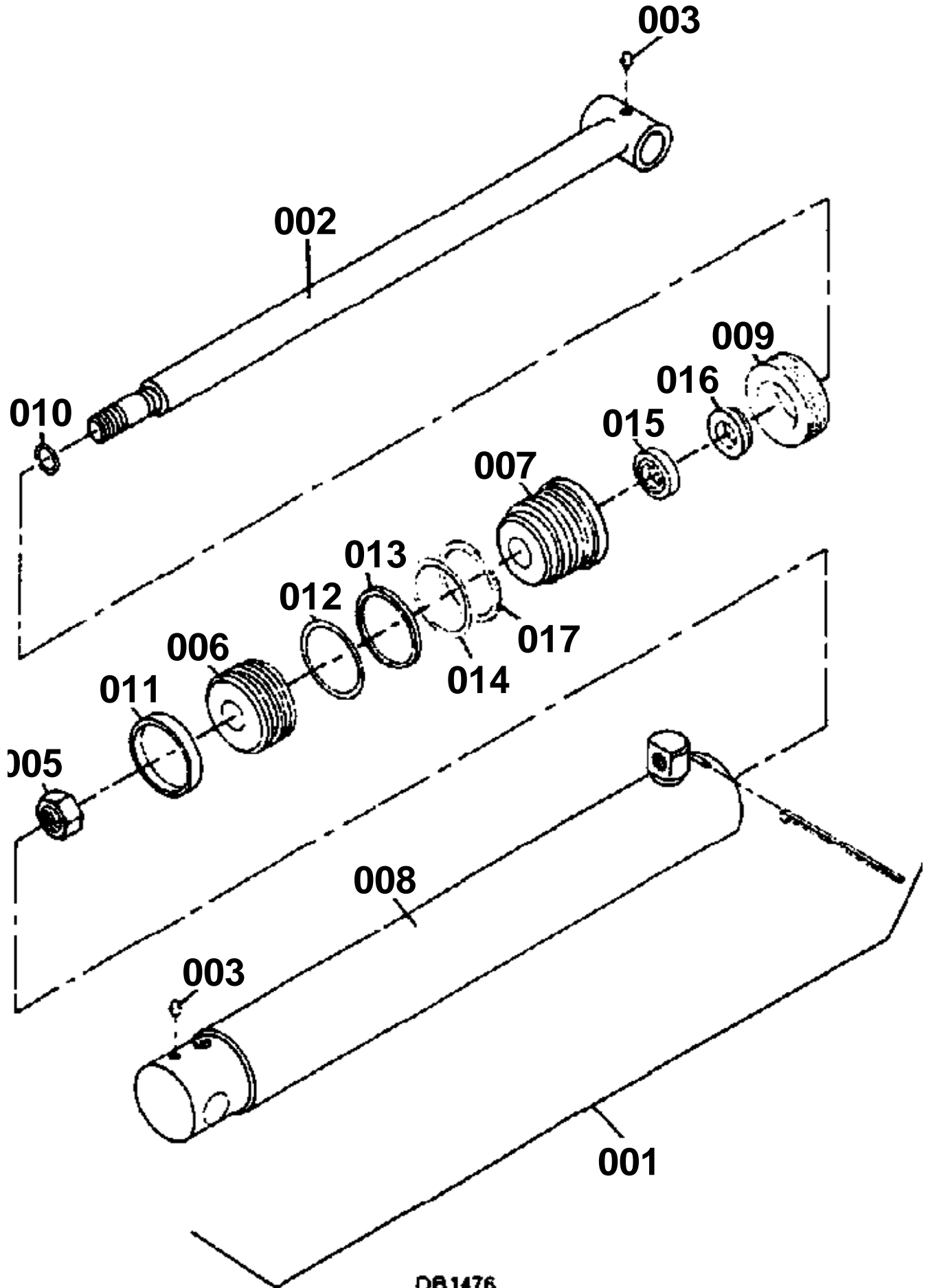




# 4530B STABILIZER CYLINDER

↔ Interchangeable; ≠ not interchangeable; ← new for old; → old for new

REF.No	Part No.	Description	Q'ty	S.No.	I/C	REMARKS	Weight (kgf)	Weight (lb)
001	70030-01248	2 X 14-1/2 HYDRAULIC	1				0	0
002	70030-01308	COLLAR	1			E	0	0
002	70020-00085	COLLAR	1			L	0	0
003	70030-01307	SEAL KIT (CONTAINS 3	1			NOT SHOWN IN FIG.	0	0
004	70030-01330	ROD ASSEMBLY	1			E	0	0
004	70030-01263	ROD ASSEMBLY	1			L	0	0
005	99999-99999	1/4-28 TAPERED THREA	2			OL	0	0
006	70020-01316	7/8 NC SELF LOCK HEX	1				0	0
007	70030-01310	HYDRAULIC CYLINDER P	1				0	0
008	70030-01313	ROD GUIDE	1			E	0	0
008	70020-01304	ROD GUIDE	1			L	0	0
009	99999-99999	BARREL ASSEMBLY (NOT	1				0	0
010	99999-99999	ROD STATIC SEAL	1			ISK	0	0
011	99999-99999	SEAR RING	1			ISK	0	0
012	99999-99999	O-RING	1			ISK	0	0
013	99999-99999	PISTON SEAL	1			ISK	0	0
014	99999-99999	GLAND STATIC SEAL	1			ISK	0	0
015	99999-99999	ROD SEAL	1			ISK	0	0
016	99999-99999	ROD WIPER	1			ISK	0	0



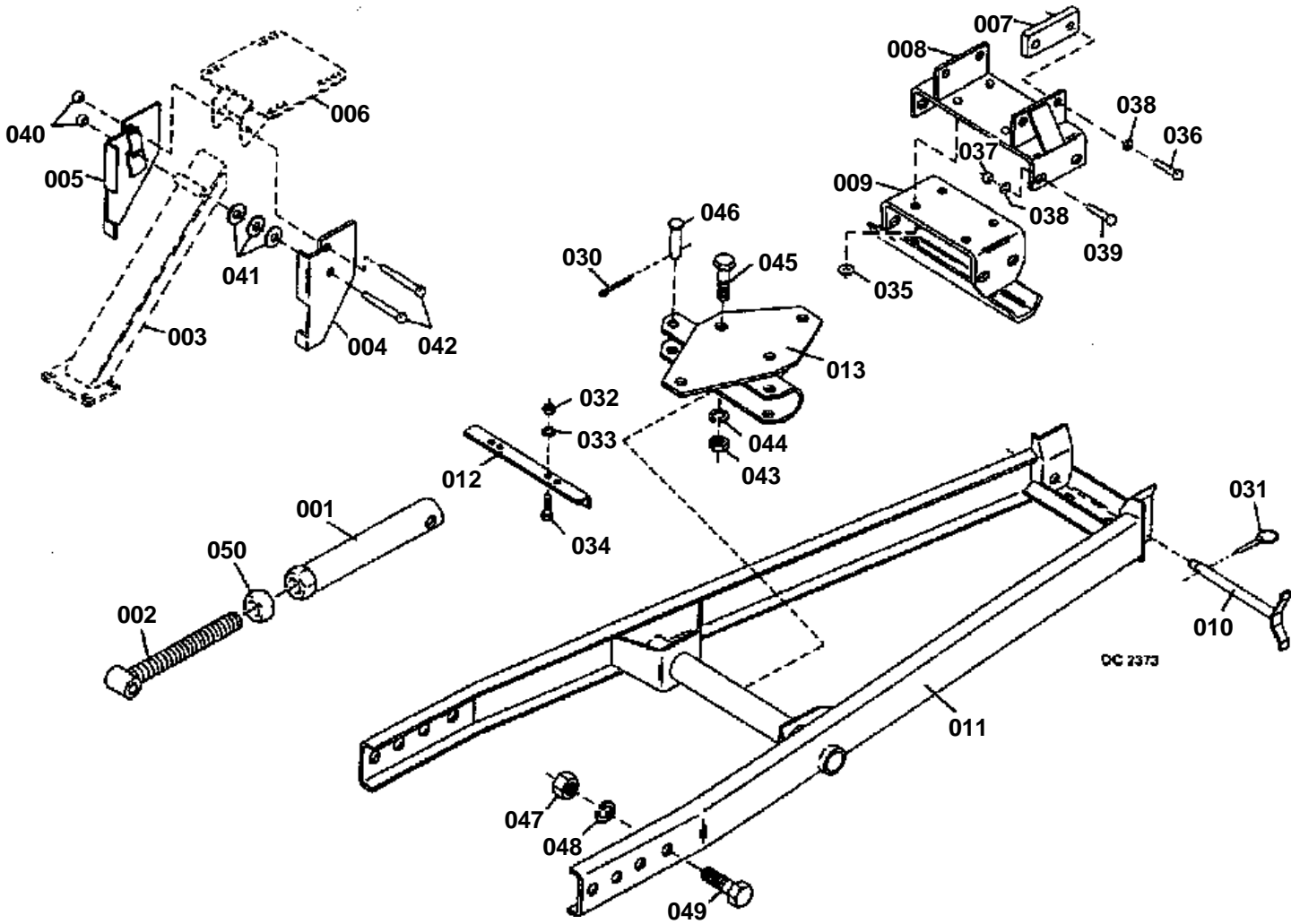
DB1476



4520B BOOM CYLINDER 4530B BOOM & DIPPERSTICK CYLINDER

↔ Interchangeable; ≠ not interchangeable; ← new for old; → old for new

REF.No	Part No.	Description	Q'ty	S.No.	I/C	REMARKS	Weight (kgf)	Weight (lb)
001	70020-01219	2-1/2 X 16-3/4 HYDRA	1			E	0	0
001	70020-01219	2-1/2 X 16-3/4 HYDRA	1			L	0	0
002	70030-01304	2-1/2 HYDRAULIC CYLI	1			E	0	0
002	70020-01309	2-1/2 HYDRAULIC CYLI	1			L	0	0
003	99999-99999	1/4-28 TAPER THREAD	2			OL	0	0
004	70030-01305	SEAL KIT (INCLUDES 4	1			[E] NOT SHOWN IN FIG.	0	0
004	70030-01305	SEAL KIT (INCLUDES 4	1			L	0	0
005	70020-01316	7/8 NC SELF LOCK HEX	1			E	0	0
005	70020-01316	7/8 NC SELF LOCK HEX	1			L	0	0
006	70030-01306	HYDRAULIC CYLINDER P	1			E	0	0
006	70020-01307	HYDRAULIC CYLINDER P	1			L	0	0
007	70030-01311	HYDRAULIC CYLINDER G	1			E	0	0
007	70020-01308	HYDRAULIC CYLINDER G	1			L	0	0
008	99999-99999	BARREL ASSEMBLY (NOT	1				0	0
009	70030-01312	HYDRAULIC CYLINDER R	1				0	0
010	99999-99999	ROD STATIC SEAL	1			ISK	0	0
011	99999-99999	WEAR STRIP	1			ISK	0	0
012	99999-99999	O-RING	1			ISK	0	0
013	99999-99999	PISTON SEAL	1			ISK	0	0
014	99999-99999	GLAND STATIC SEAL	1			ISK	0	0
015	99999-99999	ROD SEAL	1			ISK	0	0
016	99999-99999	ROD WIPER	1			ISK	0	0
017	99999-99999	LOCK WIRE	1				0	0
018	99999-99999	WEAR RING	1			[ISK] NOT SHOWN IN FIG.	0	0





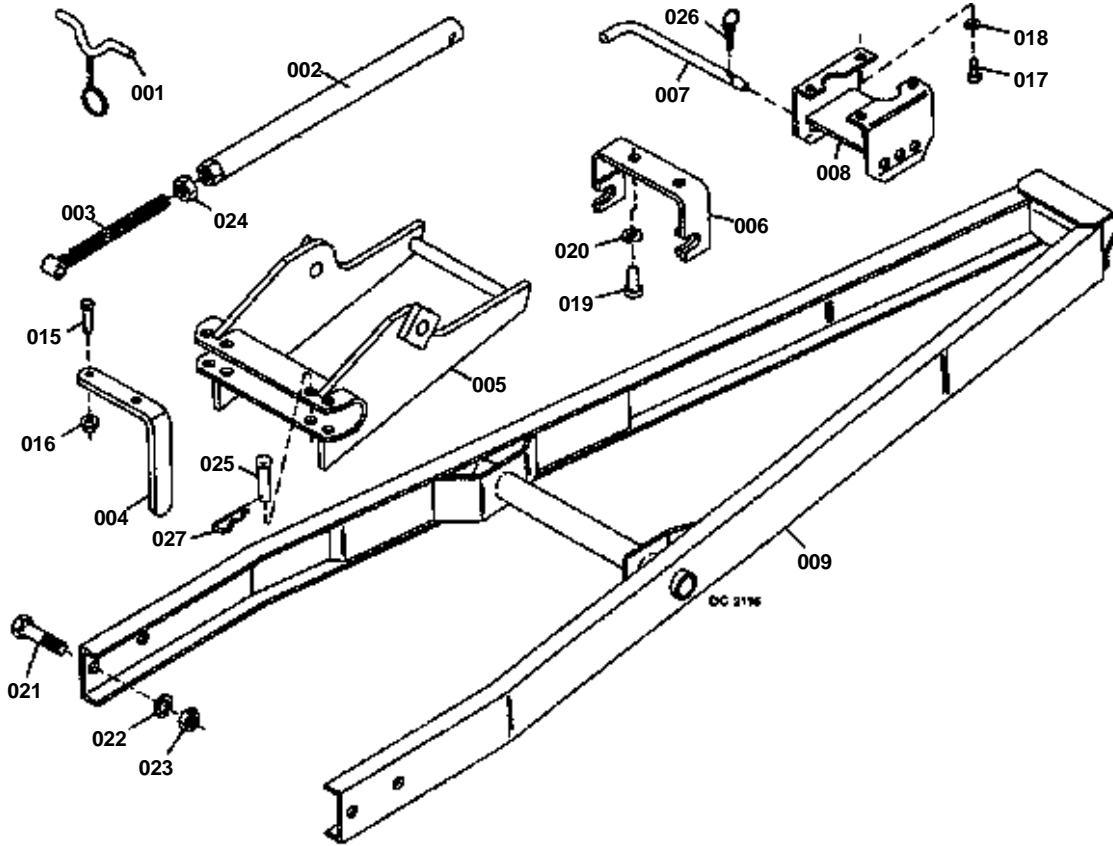
# MOUNTING KIT B-4521

↔ Interchangeable; ≠ not interchangeable; ← new for old; → old for new

REF.No	Part No.	Description	Q'ty	S.No.	I/C	REMARKS	Weight (kgf)	Weight (lb)
001	70020-01298	OUTER LINK	1				0	0
002	70030-01231	INNER TOP LINK	1				0	0
004	70030-01225	LEFT SEAT MOUNTING B	1				0	0
005	70030-01226	RIGHT SEAT MOUNTING	1				0	0
007	70030-01233	B8200 FRONT MOUNTING	2				0	0
008	70030-01207	FRONT ATTACHMENT BRA	1				0	0
009	70030-01208	FRONT HANGER BRACKET	1				0	0
010	70020-01296	PIN WELDMENT ASSEMBL	1				0	0
011	70030-01229	SUB-FRAME WELDMENT A	1				0	0
012	70020-01299	ARM PUMP	1				0	0
013	70020-01120	BRACKET HITCH WELDME	1				0	0
014	99999-99999	MOUNTING KIT COMPLET	1			B-4521	0	0



MOUNTING KIT L-4523

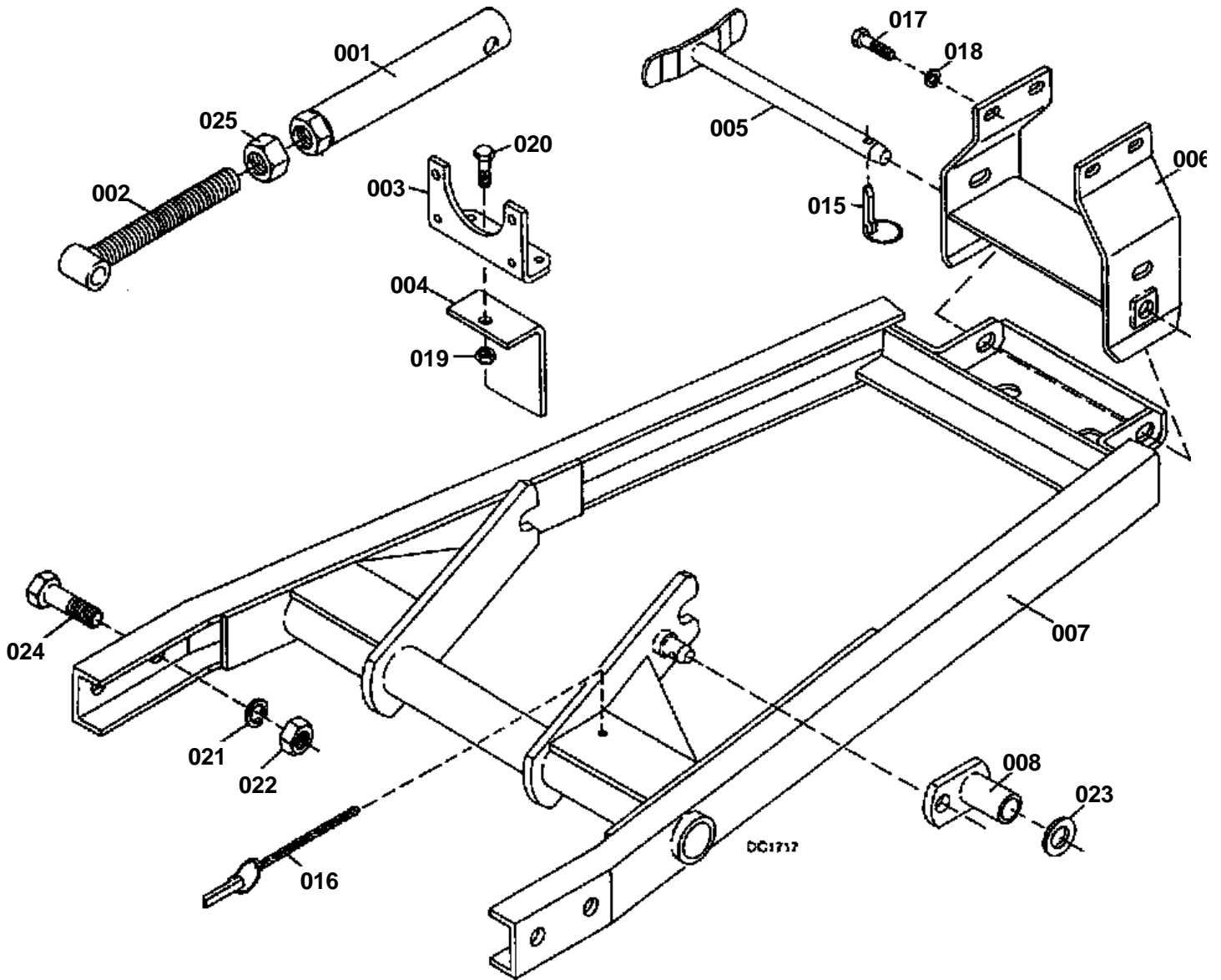




# MOUNTING KIT L-4523

↔ Interchangeable; ≠ not interchangeable; ← new for old; → old for new

REF.No	Part No.	Description	Q'ty	S.No.	I/C	REMARKS	Weight (kgf)	Weight (lb)
001	70030-01321	DRAFT CONTROL LOCKOU	1				0	0
002	70030-01320	OUTER LINK 26.5 W.A.	1				0	0
003	70030-01231	INNER TOP LINK	1				0	0
004	70030-01241	PUMP TORQUE ARM	1				0	0
005	70030-01317	REAR MOUNTING BRACKE	1				0	0
006	70030-01318	REAR HANGER BRACKET	1				0	0
007	70030-01240	3/4 X 11 LOCK PIN	1				0	0
008	70030-01319	FRONT MOUNTING BRACK	1				0	0
009	70030-01316	FRAME W.A. L-4523	1				0	0

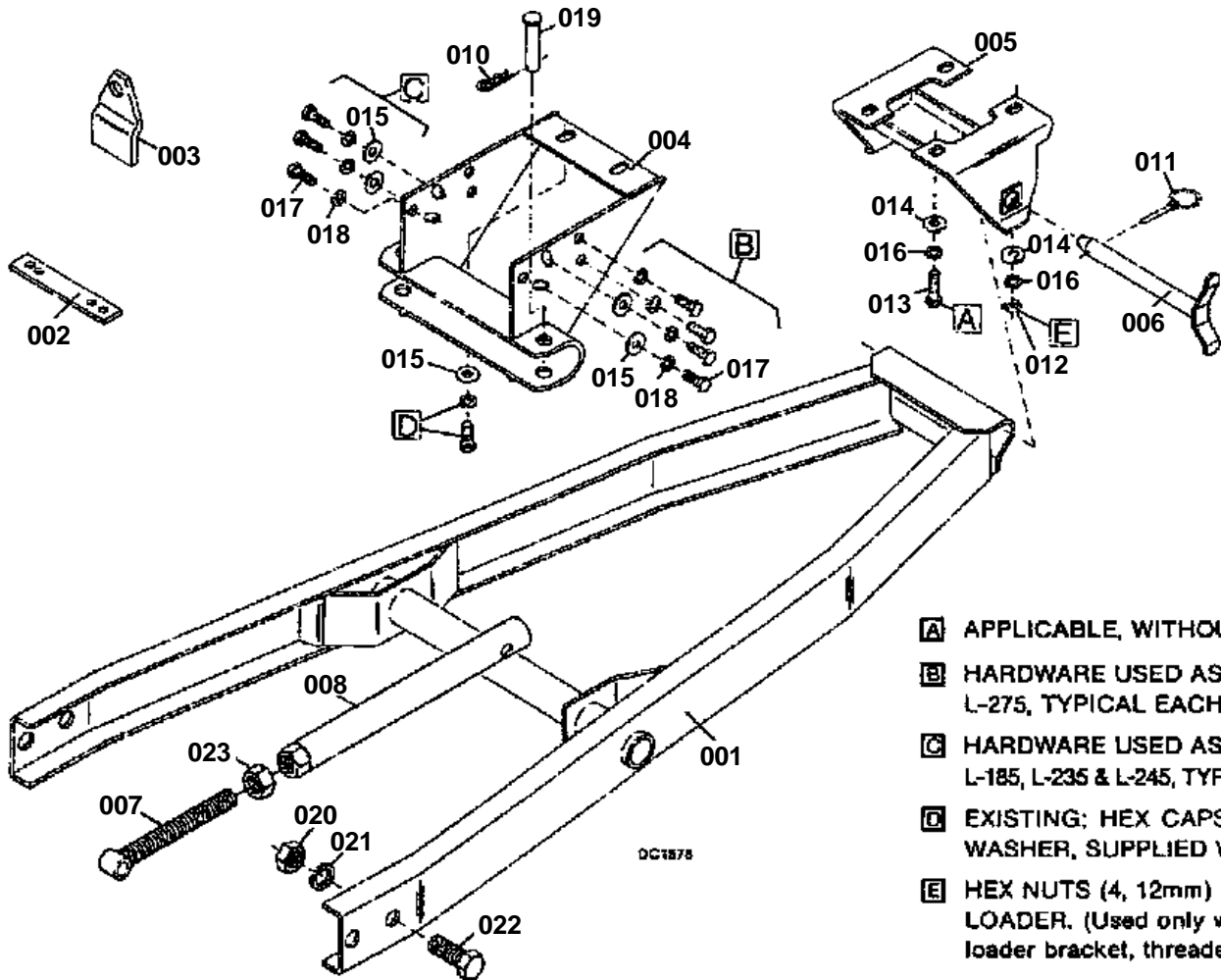




# MOUNTING KIT B-4524

↔ Interchangeable; ≠ not interchangeable; ← new for old; → old for new

REF.No	Part No.	Description	Q'ty	S.No.	I/C	REMARKS	Weight (kgf)	Weight (lb)
001	70020-01298	OUTER TOP LINK	1				0	0
002	70020-01231	INNER TOP LINK	1				0	0
003	70020-01225	PUMP PLATE	1				0	0
004	70030-01203	PUMP MOUNTING BRACKE	1				0	0
005	70030-01201	FRONT MOUNTING PIN	1				0	0
006	70030-01200	FRONT MOUNTING BRACK	1				0	0
007	70030-01205	SUB FRAME	1				0	0
008	70030-01202	MOUNTING SPACER	2				0	0



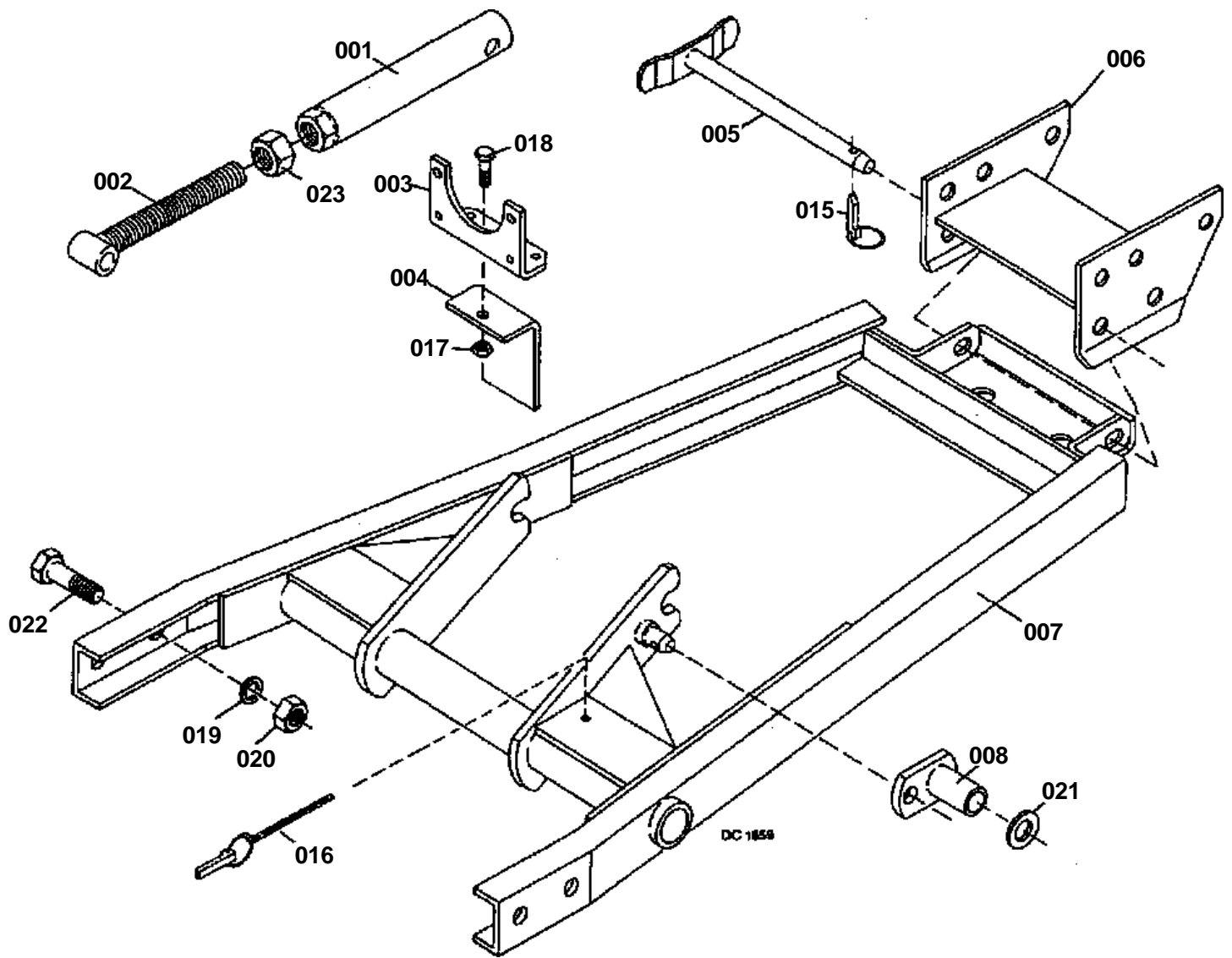
- A** APPLICABLE, WITHOUT LOADER.
- B** HARDWARE USED AS SHOWN, FOR L-275, TYPICAL EACH SIDE.
- C** HARDWARE USED AS SHOWN, FOR L-185, L-235 & L-245, TYPICAL EACH SIDE.
- D** EXISTING; HEX CAPSCREW & LOCK-WASHER, SUPPLIED WITH TRACTOR.
- E** HEX NUTS (4, 12mm) SUPPLIED WITH LOADER. (Used only when attaching to loader bracket, threaded studs)



# MOUNTING KIT L-4525

↔ Interchangeable; ≠ not interchangeable; ← new for old; → old for new

REF.No	Part No.	Description	Q'ty	S.No.	I/C	REMARKS	Weight (kgf)	Weight (lb)
001	70020-01275	MOUNTING FRAME	1				0	0
002	70020-01278	PUMP BRACKET ARM	1				0	0
003	70020-01293	DRAFT CONTROL LOCKOU	1				0	0
004	70020-01272	CENTER SUPPORT BRACK	1				0	0
005	70020-01226	FRONT SUPPORT BRACKE	1				0	0
006	70020-01273	MOUNTING PIN	1				0	0
007	70030-01231	INNER TOP LINK	1				0	0
008	70030-01376	OUTER TOP LINK	1				0	0



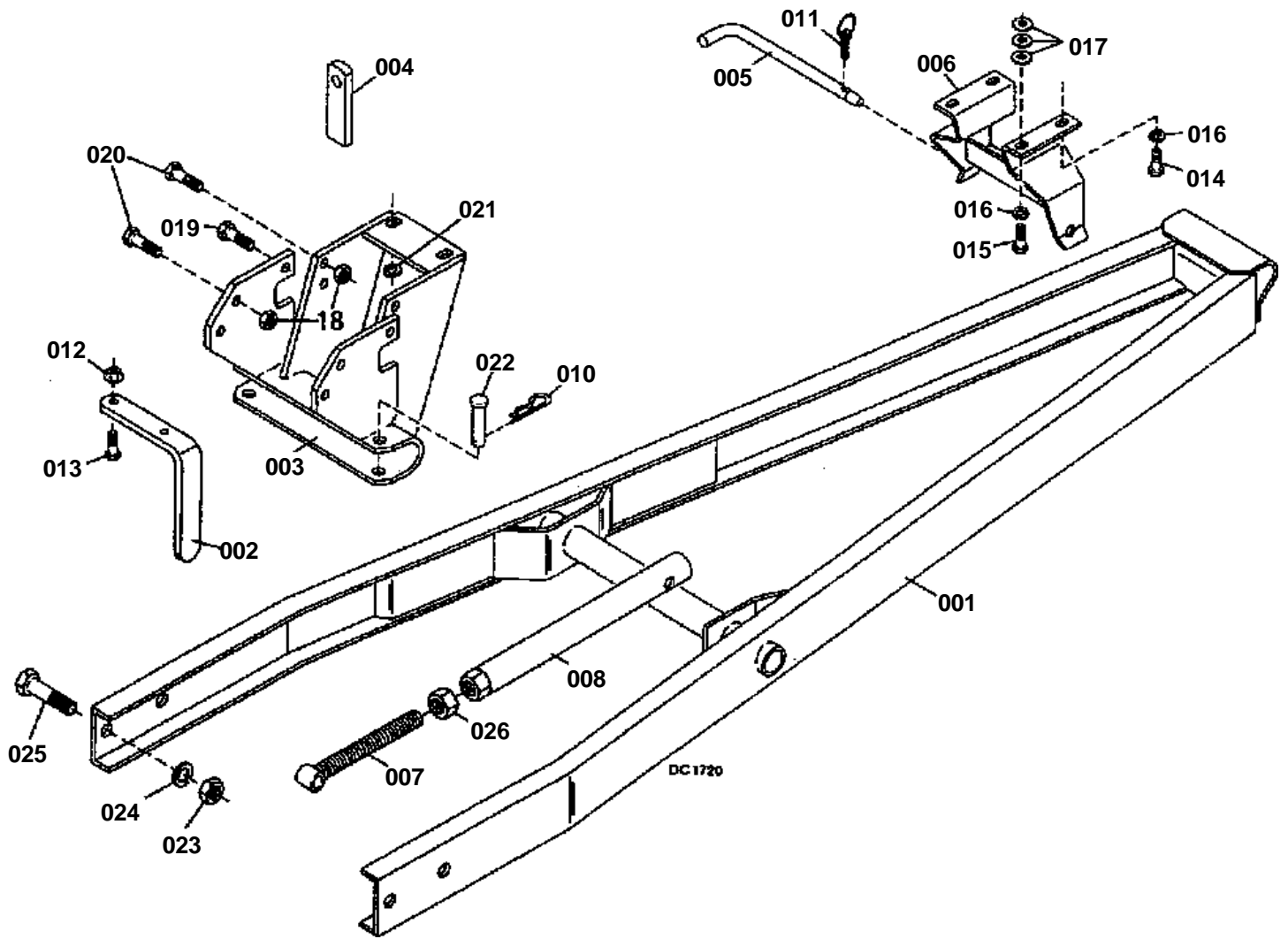


# MOUNTING KIT B-4526

↔ Interchangeable; ≠ not interchangeable; ← new for old; → old for new

REF.No	Part No.	Description	Q'ty	S.No.	I/C	REMARKS	Weight (kgf)	Weight (lb)
001	70020-01298	OUTER TOP LINK	1				0	0
002	70030-01231	INNER TOP LINK	1				0	0
003	70020-01225	PUMP PLATE	1				0	0
004	70030-01203	PUMP MOUNTING BRACKE	1				0	0
005	70030-01201	FRONT MOUNTING PIN	1				0	0
006	70030-01298	FRONT MOUNTING BRACK	1				0	0
007	70030-01205	STUB FRAME	1				0	0
008	70030-01202	MOUNTING SPACER	2				0	0







# MOUNTING KIT L-4531

↔ Interchangeable; ≠ not interchangeable; ← new for old; → old for new

REF.No	Part No.	Description	Q'ty	S.No.	I/C	REMARKS	Weight (kgf)	Weight (lb)
001	70030-01237	SUB-FRAME	1				0	0
002	70030-01241	PUMP TORQUE ARM	1				0	0
003	70030-01238	REAR MOUNTING BRACKE	1				0	0
004	70030-01242	DRAFT CONTROL LOCKOU	1				0	0
005	70030-01240	3/4 X 11 LOCK PIN	1				0	0
006	70030-01239	FRONT MOUNTING BRACK	1				0	0
007	70030-01231	INNER TOP LINK	1				0	0
008	70030-01383	OUTER TOP LINK	1				0	0