

Instructions for Parts Books

The heading at the top of the page will be the same for the picture of the parts as it is for the page with the part numbers.

Definition of column headings on part number pages:

REF.No → The number referring to the part on the picture page of the parts book.

Part No. → The number assigned to this part at the time of printing the parts book.

Description → Description of part.

Q'ty → Quantity of part used on that page.

S.No. → Serial number range of the equipment that this part will fit.

>= Your serial number should be greater than or equal to the number shown.

<= Your serial number should be lesser than or equal to the serial number shown.

I/C → Interchangeability of part shown.

↔ The part shown will work for the older and later serial number.

The part shown is not interchangeable with the other serial number.

← new for old

→ old for new

Remarks → Notes about this particular part. Sometimes this may say except [FR] or [CA]

Note about Country Codes:

The parts books we use in the United States of America may also contain information about a part that would be different in another country. It is important that you are aware of the country codes in some instances.

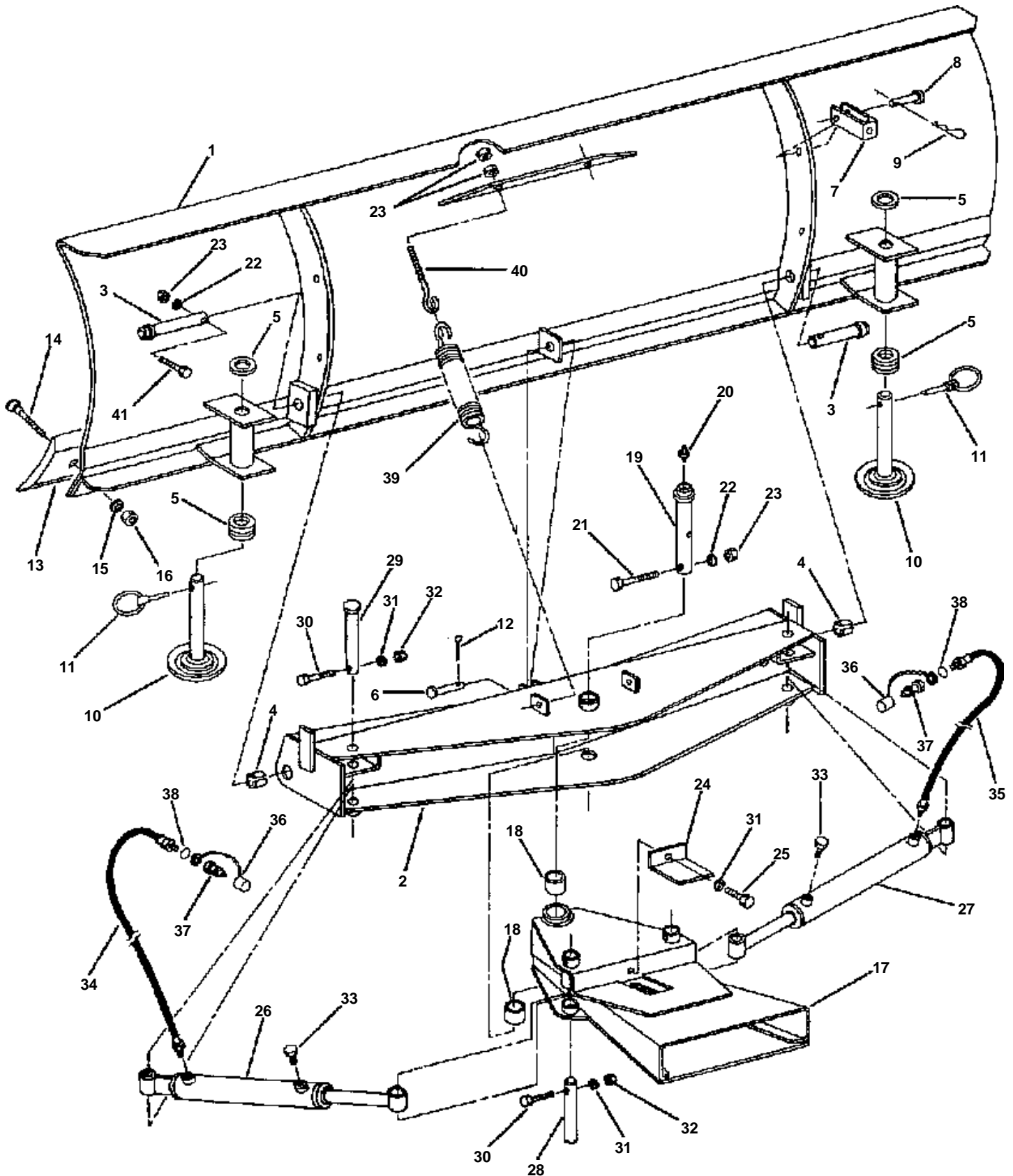
Symbol	Country
A	United States of America
CA	Canada
FR	France
GR	Greece
PO	Portugal
AU	Australia

If the remarks column says for example EXCEPT [FR] this part works in all countries except France. That means it will work here in the USA.

Kubota L2072 Front Blade

Part No.		Book
01001	FRONT BLADE (72 INCH MODEL)	100Z0099
01002	HYDRAULIC ANGLING CYLINDER R	100Z0099
01003	HYDRAULIC ANGLING CYLINDER L.	100Z0099
01004	DECALS	100Z0099
01005	SAFETY, DECALS	100Z0099

FRONT BLADE (72 INCH MODEL)

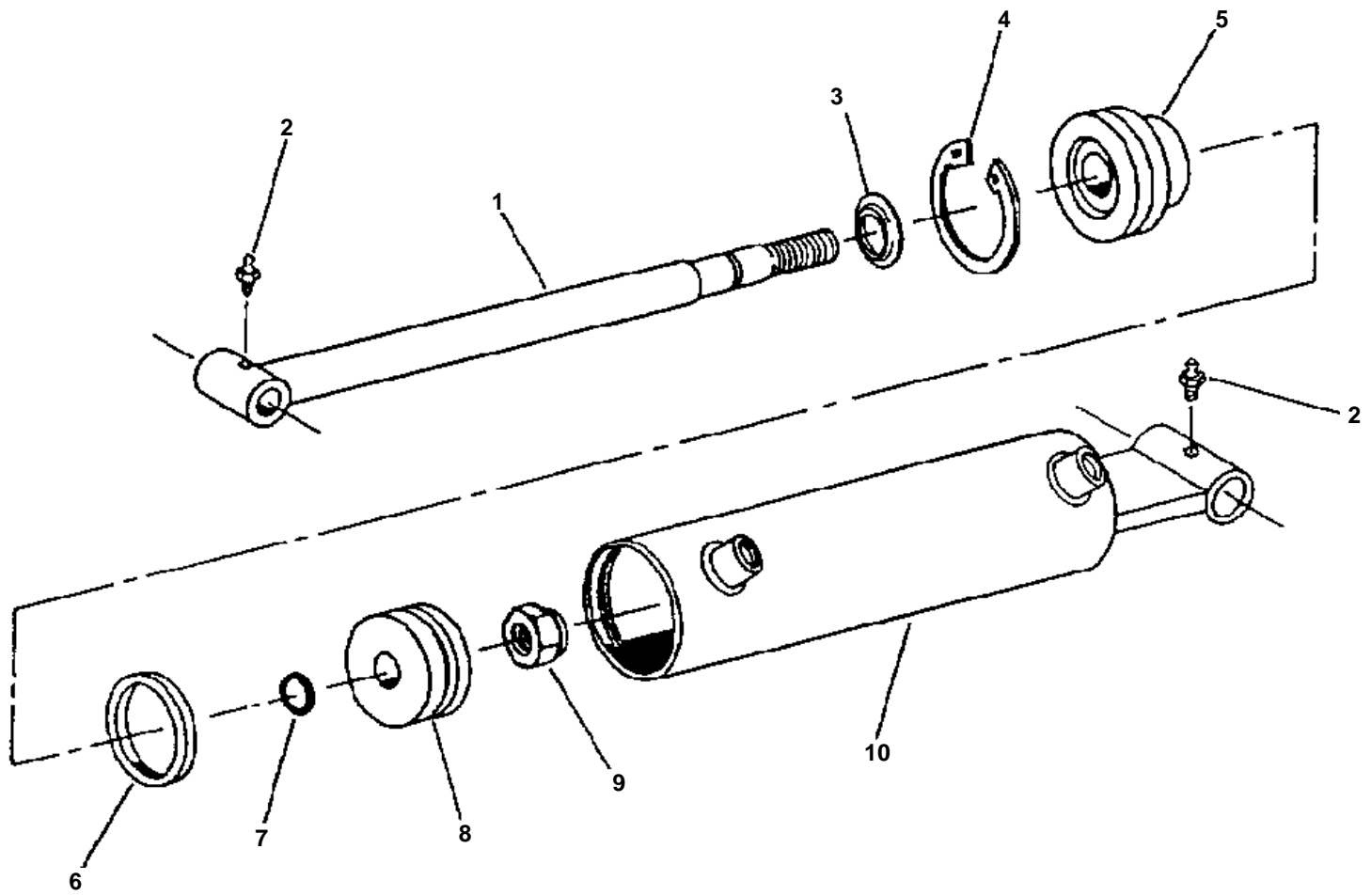


**FRONT BLADE (72 INCH MODEL)**

↔ Interchangeable; ≠ not interchangeable; ← new for old; → old for new

REF.No	Part No.	Description	Q'ty	S.No.	I/C	REMARKS	Weight (kgf)	Weight (lb)
1	70060-03852	MOLD BOARD	1	≧10010			0	0
2	70060-03856	HITCH BLADE	1	≧10010			0	0
3	70060-03873	PIVOT PIN	2	≧10010			0	0
4	70060-03874	TENSION BUSHING	2	≧10010			0	0
5	70060-03256	SHIM WASHER	12	≧10010			0	0
6	70060-03875	MIDDLE PIN	1	≧10010			0	0
7	70060-01749	TRIP SPRING LOCKOUT	2	≧10010			0	0
8	70060-01389	PIN (3/8 X 1-7/16)	2	≧10010			0	0
9	70000-74028	LOCALLY OBTAIN	2	≧10010			0	0
10	70060-03230	SKID SHOE	2	≧10010			0	0
11	70000-74028	OBTAIN LOCALLY	2	≧10010			0	0
12	70000-73028	OBTAIN LOCALLY	1	≧10010			0	0
13	70060-03747	CUTTING EDGE	1	≧10010			0	0
14	70000-74028	OBTAIN LOCALLY	8	≧10010			0	0
15	70000-74028	OBTAIN LOCALLY	8	≧10010			0	0
16	70000-74028	OBTAIN LOCALLY	8	≧10010			0	0
17	70060-03872	FEMALE QUICK HITCH	1	≧10010			0	0
18	70060-01768	TENSION BUSHING	2	≧10010			0	0
19	70060-01745	PIVOT PIN	1	≧10010			0	0
20	70060-00940	GREASE FITTING	1	≧10010			0	0
21	70000-74028	OBTAIN LOCALLY	1	≧10010			0	0
22	70000-74028	OBTAIN LOCALLY	3	≧10010			0	0
23	70000-73028	OBTAIN LOCALLY	5	≧10010			0	0
24	70060-01748	MUD GUARD	1	≧10010			0	0
25	70000-74028	OBTAIN LOCALLY	1	≧10010			0	0
26	70060-03869	ANGLING CYLINDER L.H	1	≧10010			0	0
27	70060-03835	ANGLING CYLINDER R.H	1	≧10010			0	0
28	70060-03833	PIN	2	≧10010			0	0
29	70060-03834	PIN	2	≧10010			0	0
30	70000-74028	OBTAIN LOCALLY	4	≧10010			0	0
31	70000-74028	OBTAIN LOCALLY	5	≧10010			0	0
32	70000-74028	OBTAIN LOCALLY	4	≧10010			0	0
33	70060-01018	BREATHER PLUG	2	≧10010			0	0
34	70060-01747	HOSE 1/4 X 96 IN	1	≧10010			0	0
35	70060-01746	HOSE 1/4 X 92 IN	1	≧10010			0	0
36	70060-01725	DUST CAP	2	≧10010			0	0
37	70060-01547	QUICK COUPLER MALE	2	≧10010			0	0
38	70060-01569	YELLOW PLASTIC RING	2	≧10010			0	0
38A	70060-01570	GREEN PLASTIC RING	2	≧10010			0	0
39	70060-01798	SPRING	2	≧10010			0	0
40	70060-03882	EYE BOLT	2	≧10010			0	0
41	70000-74028	OBTAIN LOCALLY	2	≧10010			0	0

HYDRAULIC ANGLING CYLINDER R



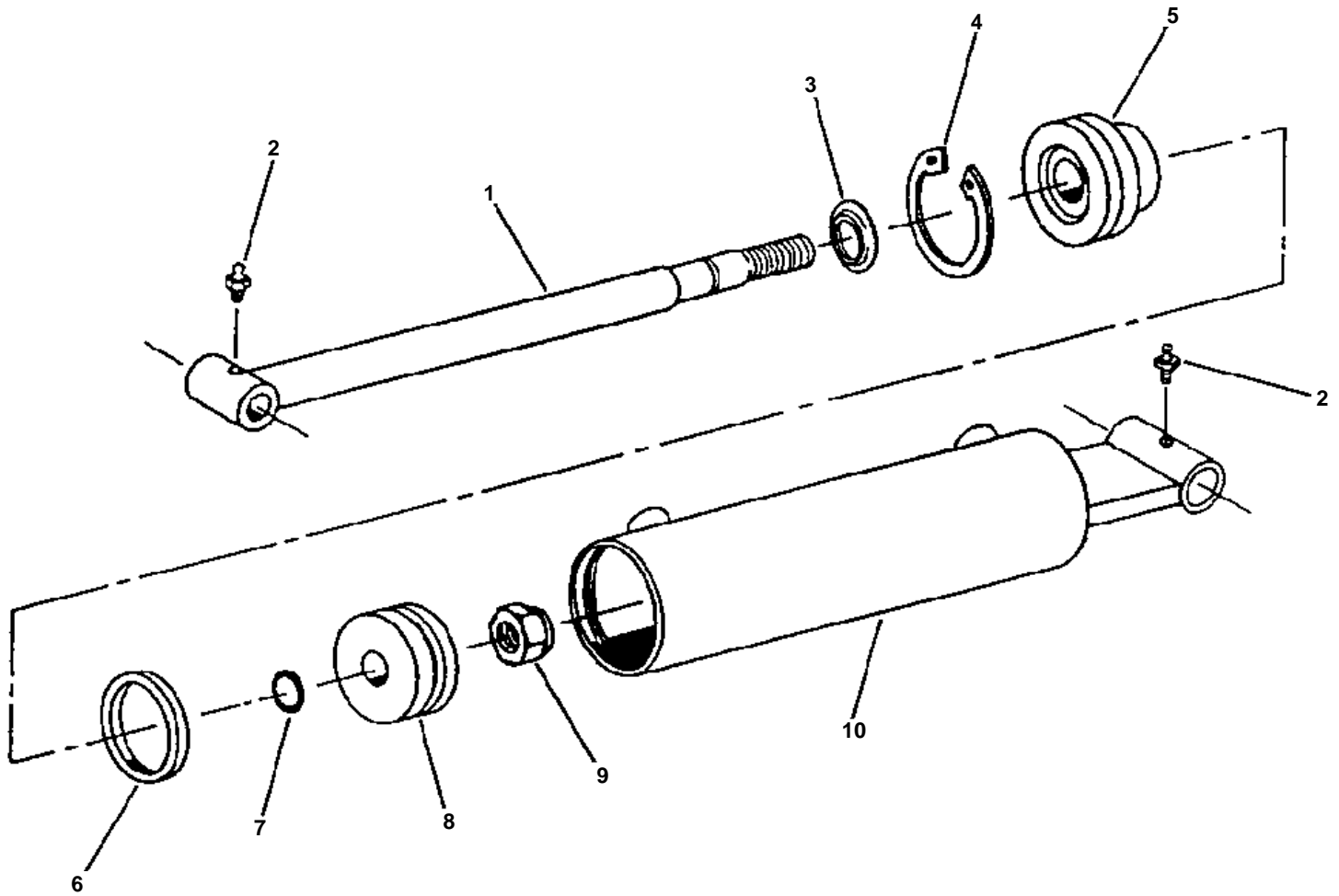


HYDRAULIC ANGLING CYLINDER R

↔ Interchangeable; ≠ not interchangeable; ← new for old; → old for new

REF.No	Part No.	Description	Q'ty	S.No.	I/C	REMARKS	Weight (kgf)	Weight (lb)
1	70060-01608	ROD	1	≧10010			0	0
2	70060-00940	GREASE FITTING	2	≧10010			0	0
3	70060-01255	ROD WIPER	1	≧10010			0	0
4	70060-01256	SNAP RING	1	≧10010			0	0
5	70060-01257	CAP	1	≧10010			0	0
6	70060-01621	U CUP	1	≧10010			0	0
7	70060-01622	O-RING	1	≧10010			0	0
8	70060-01623	PISTON	1	≧10010			0	0
9	70060-01624	NUT	1	≧10010			0	0
10	70060-03880	CYLINDER TUBE	1	≧10010			0	0
10A	70060-03041	SEAL KIT	1	≧10010			0	0

HYDRAULIC ANGLING CYLINDER L.





HYDRAULIC ANGLING CYLINDER L.

↔ Interchangeable; ≠ not interchangeable; ← new for old; → old for new

REF.No	Part No.	Description	Q'ty	S.No.	I/C	REMARKS	Weight (kgf)	Weight (lb)
1	70060-01608	ROD	1	≧10010			0	0
2	70060-00940	GREASE FITTING	2	≧10010			0	0
3	70060-01255	ROD WIPER	1	≧10010			0	0
4	70060-01256	SNAP RING	1	≧10010			0	0
5	70060-01257	CAP	1	≧10010			0	0
6	70060-01621	U CUP	1	≧10010			0	0
7	70060-01622	O-RING	1	≧10010			0	0
8	70060-01623	PISTON	1	≧10010			0	0
9	70060-01624	NUT	1	≧10010			0	0
10	70060-03879	CYLINDER TUBE	1	≧10010			0	0
11	70060-03041	SEAL KIT	1	≧10010			0	0

1
KUBOTA

2
L2072

3

IMPORTANT

- TO PREVENT BLADE DAMAGE MAKE SURE BLADE ANGLE ADJUSTMENT PIN IS INSERTED THROUGH THE BOTTOM PLATE.
- DO NOT USE BLADE TRIP SPRING LOCK OUT WHEN PLOWING SNOW, WHEN USING IN ROCKY OR ROUGH CONDITIONS, ETC.

SPRING TRIP OPERATION
SPRING TRIP LOCK OUT
BOTTOM PLATE

127

4

⚠ WARNING

PINCH POINT
AVOID INJURY FROM
FRAME PIVOT AND STOPS:

- Keep hands and feet away.

163



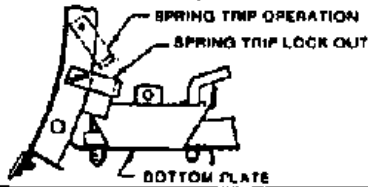
DECALS

↔ Interchangeable; ≠ not interchangeable; ← new for old; → old for new

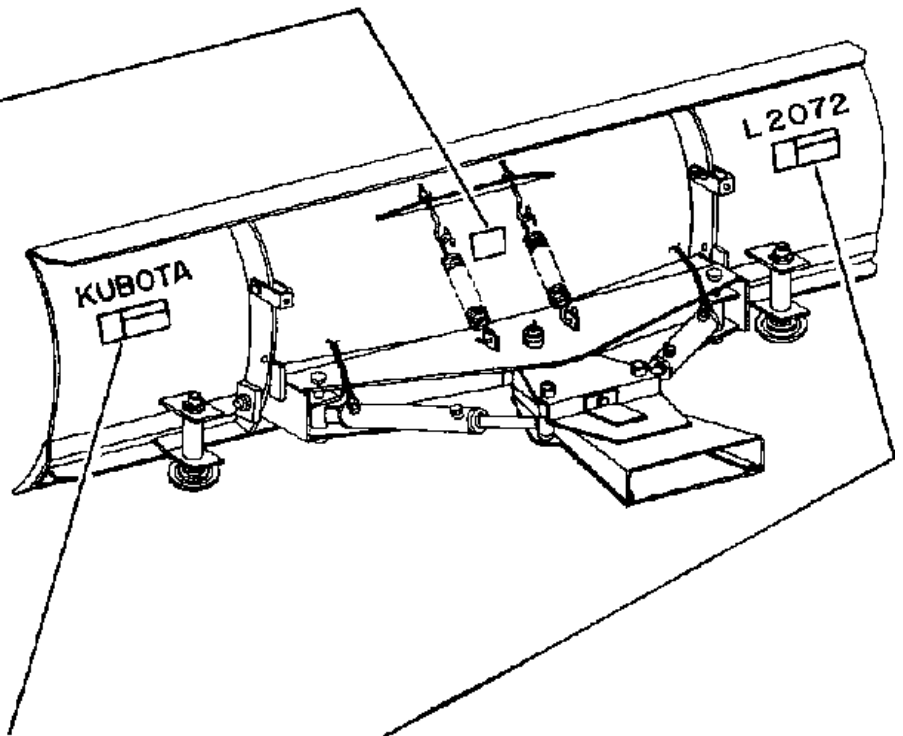
REF.No	Part No.	Description	Q'ty	S.No.	I/C	REMARKS	Weight (kgf)	Weight (lb)
1	70060-01035	KUBOTA DECAL	1	≧10010			0	0
2	70060-03881	L2072 DECAL	1	≧10010			0	0
3	70060-01447	TRIP SPRING DECAL	1	≧10010			0	0
4	70060-03033	WARNING DECAL	2	≧10010			0	0

IMPORTANT

- TO PREVENT BLADE DAMAGE MAKE SURE BLADE ANGLE ADJUSTMENT PIN IS INSERTED THROUGH THE BOTTOM PLATE.
- DO NOT USE BLADE TRIP SPRING LOCK OUT WHEN PLOWING SNOW, WHEN USING IN ROCKY OR ROUGH CONDITIONS, ETC.



1 70060-01447



	⚠ WARNING
	PINCH POINT AVOID INJURY FROM FRAME PIVOT AND STOPS: • Keep hands and feet away. 163

2 70060-03033



SAFETY, DECALS

↔ Interchangeable; ≠ not interchangeable; ← new for old; → old for new

REF.No	Part No.	Description	Q'ty	S.No.	I/C	REMARKS	Weight (kgf)	Weight (lb)
1	70060-01447	DECAL INSTRUCTION	1	>=10010			0	0
2	70060-03033	DECAL WARNING	1	>=10010			0	0