

Instructions for Parts Books

The heading at the top of the page will be the same for the picture of the parts as it is for the page with the part numbers.

Definition of column headings on part number pages:

REF.No → The number referring to the part on the picture page of the parts book.

Part No. → The number assigned to this part at the time of printing the parts book.

Description → Description of part.

Q'ty → Quantity of part used on that page.

S.No. → Serial number range of the equipment that this part will fit.

>= Your serial number should be greater than or equal to the number shown.

<= Your serial number should be lesser than or equal to the serial number shown.

I/C → Interchangeability of part shown.

↔ The part shown will work for the older and later serial number.

The part shown is not interchangeable with the other serial number.

← new for old

→ old for new

Remarks → Notes about this particular part. Sometimes this may say except [FR] or [CA]

Note about Country Codes:

The parts books we use in the United States of America may also contain information about a part that would be different in another country. It is important that you are aware of the country codes in some instances.

Symbol	Country
A	United States of America
CA	Canada
FR	France
GR	Greece
PO	Portugal
AU	Australia

If the remarks column says for example EXCEPT [FR] this part works in all countries except France. That means it will work here in the USA.

L2172A & L2184 front blade

Part No.		Book
011001	DECALS	100K0910
011002	BLADE ASSEMBLY L2172A & L2184	100K0910

STAY CLEAR OF FRONT BLADE AND PINCH POINTS. DO NOT ALLOW BYSTANDERS NEAR WORKING AREA. DO NOT ALLOW ANYONE TO RIDE ON BLADE.

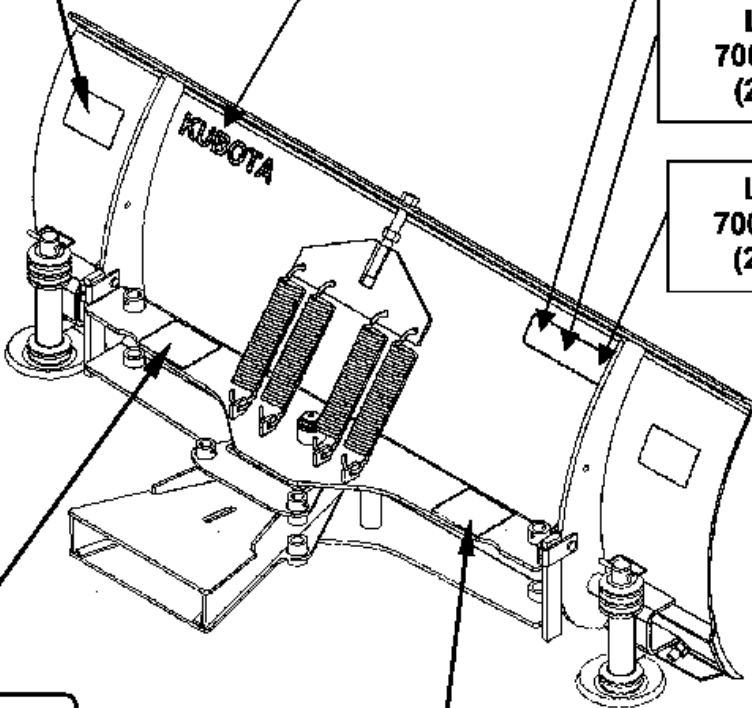
001 70060-01448
(657524)

70060-01035
(655657)

L2184:
70000-02699
(2500359)

L2161A:
70000-02672
(2500371)

L2172A:
70000-02673
(2500372)



IMPORTANT

- TO PREVENT BLADE DAMAGE MAKE SURE BLADE ANGLE ADJUSTMENT PIN IS INSERTED THROUGH THE BOTTOM PLATE.
- DO NOT USE BLADE TRIP SPRING LOCK OUT WHEN PLOWING SNOW, WHEN USING IN ROCKY OR ROUGH CONDITIONS, ETC.

SPRING TRIP OPERATION
SPRING TRIP LOCK OUT
BOTTOM PLATE

002 70060-01447
(657503)

WARNING

PINCH POINT
AVOID INJURY FROM FRAME PIVOT AND STOPS:

- Keep hands and feet away.

003 70060-03033
(658710)

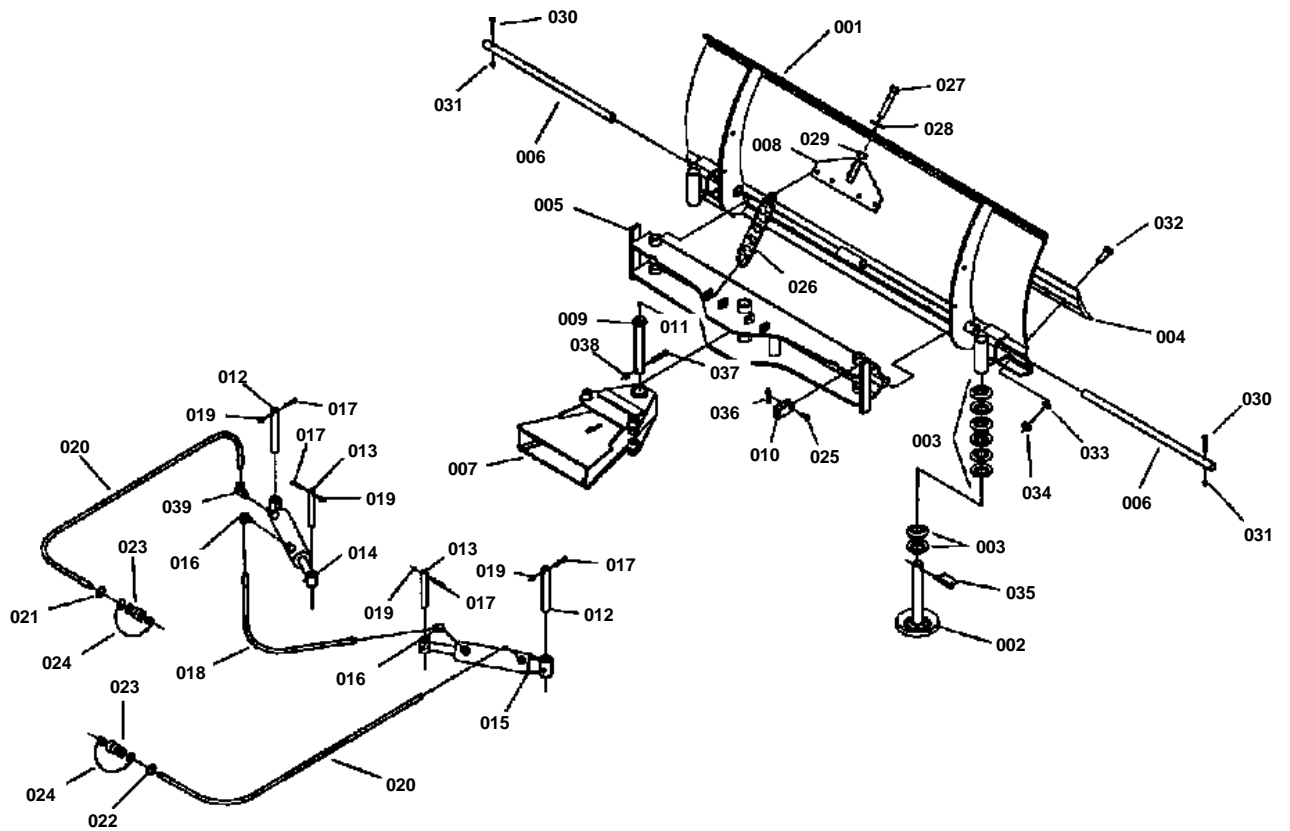


DECALS

↔ Interchangeable; ≠ not interchangeable; ← new for old; → old for new

REF.No	Part No.	Description	Q'ty	S.No.	I/C	REMARKS	Weight (kgf)	Weight (lb)
001	70060-01448	LABEL	1				0	0
002	70060-01447	LABEL	1				0	0
003	70060-03033	LABEL	1				0	0

BLADE ASSEMBLY L2172A & L2184





BLADE ASSEMBLY L2172A & L2184

↔ Interchangeable; ≠ not interchangeable; ← new for old; → old for new

REF.No	Part No.	Description	Q'ty	S.No.	I/C	REMARKS	Weight (kgf)	Weight (lb)
001	70001-00837	Welded blade	1			L2172A	0	0
001	70000-02697	Welded blade	1			L2184	0	0
002	70001-00648	Skid shoe	2				0	0
003	70060-03256	Spacer	16				0	0
004	70060-04062	Cutting edge	1			72	0	0
004	70000-02698	Cutting edge	1			84	0	0
005	70000-02696	Adjustable hitch	1				0	0
006	70001-00659	Blade pin	2				0	0
007	70000-02695	Female hitch	1				0	0
008	70001-00822	Spring plate	1				0	0
009	70001-00821	Pivot pin	1				0	0
010	70001-00839	Trip spring lockout	2				0	0
011	70060-00940	Grease fitting	1			1/4 NF	0	0
012	70001-00639	Pin	2			7/8 x 6 5/16	0	0
013	70001-00640	Pin	2			3/4 x 5 3/16	0	0
014	70060-03869	Cylinder	1			2 x 6 1/2 - left	0	0
015	70060-03835	Cylinder	1			2 x 6 1/2 - right	0	0
016	70060-00914	Elbow	2			90	0	0
017	99999-99999	Bolt hex.	4			1/4 NC x 1 3/4 PTD	0	0
018	70060-04265	Hose 1/4 x 19	1				0	0
019	99999-99999	Nylon insert locknut	4			1/4 NC PTD	0	0
020	70000-02662	Hose	2			1/4 x 140	0	0
021	70060-01569	Yellow identificatio	2				0	0
022	70060-01570	Green identification	2				0	0
023	70000-02659	Female quick coupler	2			3/8 NPT	0	0
024	70000-02660	Dust plug	2				0	0
025	70001-00514	Pin	2			3/8 x 1 7/16	0	0
026	70060-01798	Tension spring	4				0	0
027	70001-00656	Bolt hex.	1			5/8 NC x 3 1/2	0	0
028	99999-99999	Flatwasher	1			11/16 PTD	0	0
029	99999-99999	Nut hex.	1			5/8 NC PTD	0	0
030	99999-99999	Bolt hex.	2			5/16 NC x 2 PTD	0	0
031	99999-99999	Nylon insert locknut	2			5/16 NC PTD	0	0
032	70001-00803	Cutting edge bolt	9			5/8 NC x 2 for L2172A	0	0
032	70001-00803	Cutting edge bolt	11			5/8 NC x 2 for L2184	0	0
033	99999-99999	Lockwasher	9			5/8 for L2172A	0	0
033	99999-99999	Lockwasher	11			5/8 for L2184	0	0
034	99999-99999	Nut hex.	9			5/8 NC PTD for L2172A	0	0
034	99999-99999	Nut hex.	11			5/8 NC PTD for L2184	0	0
035	99999-99999	Linch pin	2			5/16	0	0
036	99999-99999	Hairpin	2			1/8 x 2 9/16 PTD	0	0
037	99999-99999	Bolt hex.	1			3/8 NC x 2 1/4 PTD	0	0
038	99999-99999	Nylon insert locknut	1			3/8 NC PTD	0	0
039	70060-00238	Flow restrictor	1			0.063 45	0	0
040	70060-04268	Seal kit for cylinde	1			NOT SHOWN IN FIG.	0	0