

Instructions for Parts Books

The heading at the top of the page will be the same for the picture of the parts as it is for the page with the part numbers.

Definition of column headings on part number pages:

REF.No → The number referring to the part on the picture page of the parts book.

Part No. → The number assigned to this part at the time of printing the parts book.

Description → Description of part.

Q'ty → Quantity of part used on that page.

S.No. → Serial number range of the equipment that this part will fit.

>= Your serial number should be greater than or equal to the number shown.

<= Your serial number should be lesser than or equal to the serial number shown.

I/C → Interchangeability of part shown.

↔ The part shown will work for the older and later serial number.

The part shown is not interchangeable with the other serial number.

← new for old

→ old for new

Remarks → Notes about this particular part. Sometimes this may say except [FR] or [CA]

Note about Country Codes:

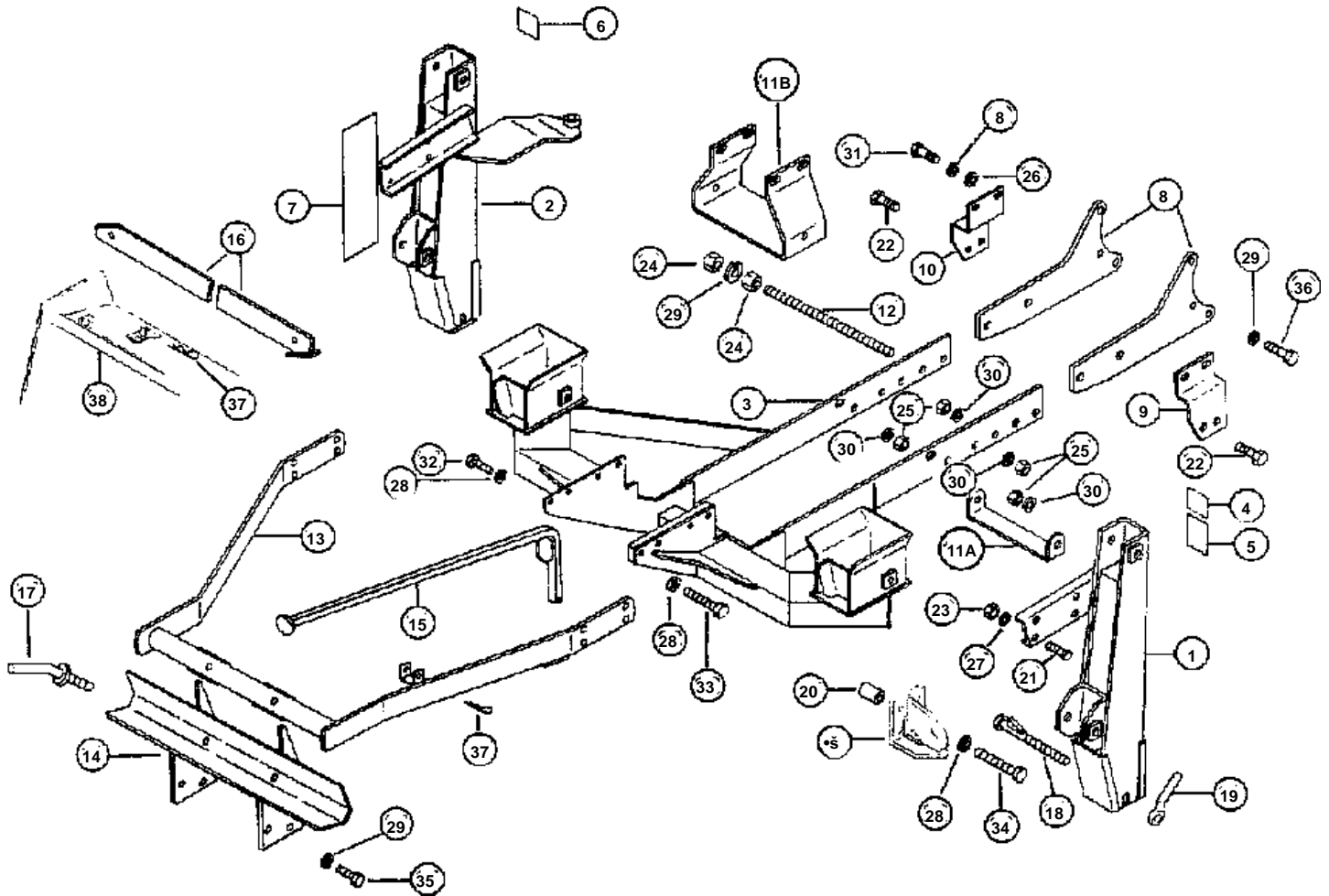
The parts books we use in the United States of America may also contain information about a part that would be different in another country. It is important that you are aware of the country codes in some instances.

Symbol	Country
A	United States of America
CA	Canada
FR	France
GR	Greece
PO	Portugal
AU	Australia

If the remarks column says for example EXCEPT [FR] this part works in all countries except France. That means it will work here in the USA.

B1640A Loader

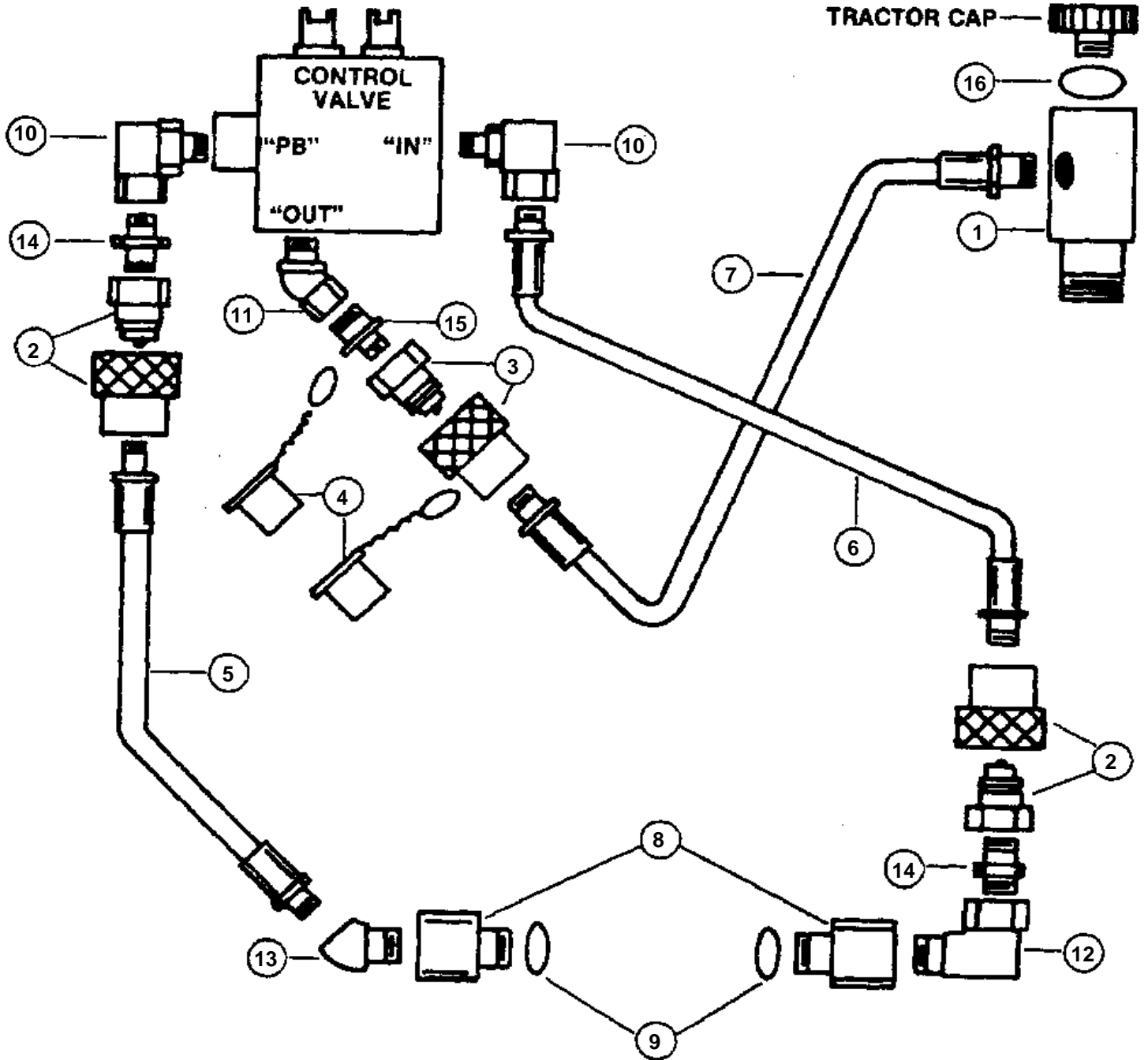
Part No.		Book
01006	B1640 & 40A SUB-FRAME & COMPONENTS	100Z0007
01011	B1640&40A TRACTOR HYDRAULICS	100Z0007
01013	B1630, 40 & 40A LIFT FRAMES & COMPONENTS	100Z0007
01015	B1630, 40 & 40A SINGLE LEVER CONTROL	100Z0007
01017	B1630, 40 & 40A CONTROL VALVE	100Z0007
01018	PRESSURE RELIEF CARTRIDGE	100Z0007
01019	LOADER HYDRAULICS B1630 <=22004921 B1640/A <=24005472	100Z0007
01020	LOADER HYDRAULICS B1630 =>22004922 B1640/A =>24005473	100Z0007
01022	LIFT CYLINDER B1630 <=2004921 B1640/A <=244005472	100Z0007
01023	BUCKET CYLINDER B1630 <=22004921 B1640/A <=2005472	100Z0007
01024	LIFT CYLINDER B1630=>22004922 B1640/A =>24005473	100Z0007
01025	BUCKET CYLINDER B1630=>22004922 B1640/A=>24005473	100Z0007



**B1640 & 40A SUB-FRAME & COMPONENTS**

↔ Interchangeable; ≠ not interchangeable; ← new for old; → old for new

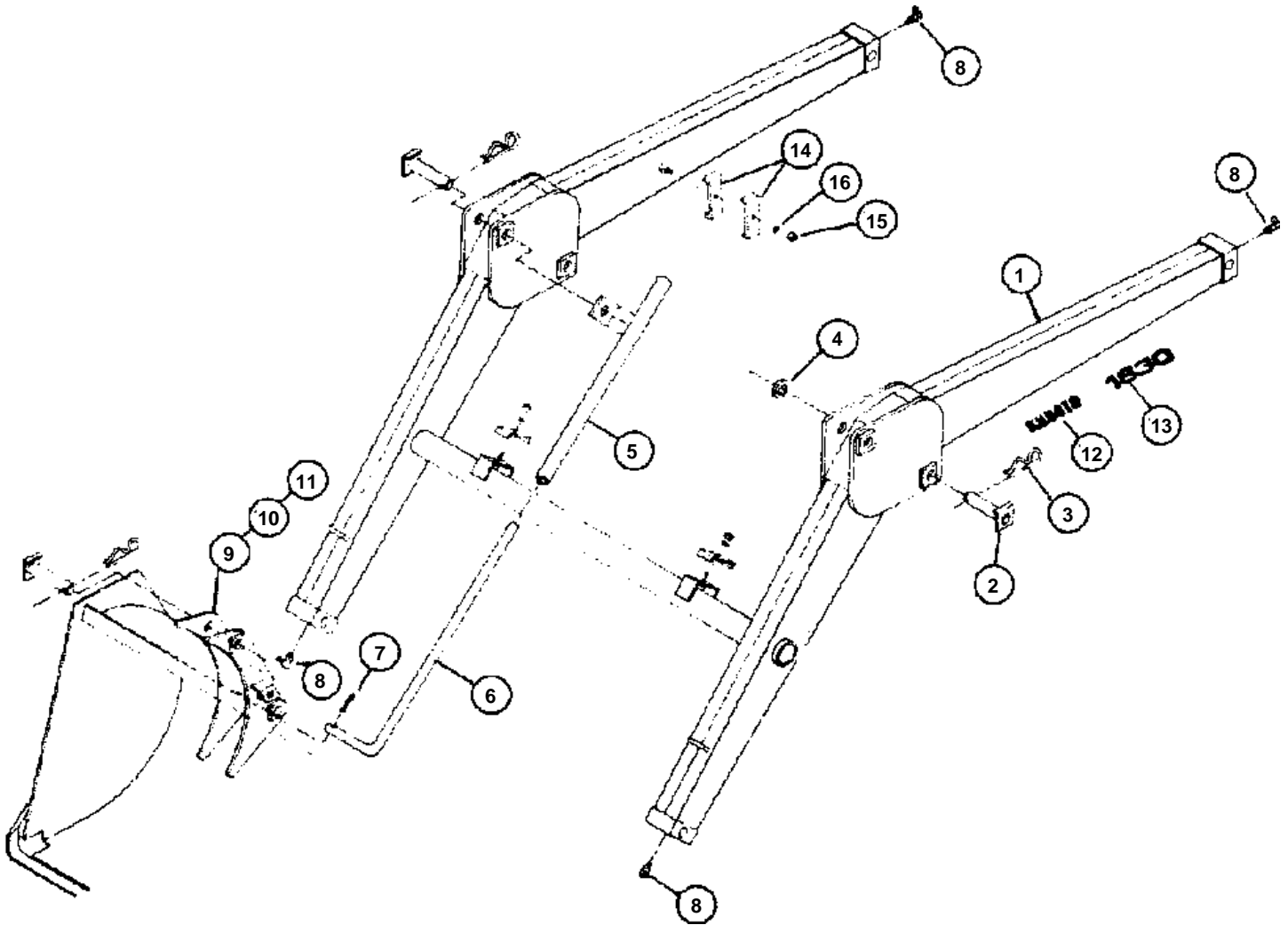
REF.No	Part No.	Description	Q'ty	S.No.	I/C	REMARKS	Weight (kgf)	Weight (lb)
1	70050-02557	UPRIGHT	1				0	0
2	70050-02556	UPRIGHT	1				0	0
3	70050-02555	SUB-FRAME ASSY	1				0	0
4	70050-01664	LABEL CAUTION	1				0	0
5	70050-01595	LABEL WARNING	1				0	0
6	70050-01606	LABEL CONTROL	1				0	0
7	70050-02568	LABEL INSTRUCTION	1				0	0
8	70050-02570	REAR MOUNT	2				0	0
9	70050-02256	BRACKET	1				0	0
10	70050-02257	BRACKET	1				0	0
11A	70050-02255	BELLY BRACE	1				0	0
11B	70050-01647	BELLY BRACE	1				0	0
12	70050-02562	ROD	1				0	0
13	70050-02560	FRONT BRACKET	1				0	0
14	70050-02559	MOUNT FRONT BRACKET	1				0	0
15	70050-02558	STAND UPRIGHT	2				0	0
16	70050-02553	BAR CONNECTING	2				0	0
17	70050-02554	L-BOLT SPECIAL	2				0	0
18	70050-02561	WEDGE BOLT SPECIAL	2				0	0
19	70050-02571	HANDLE NUT SPECIAL	2				0	0
20	70050-02577	SPACER POWER	3				0	0
21	70000-74028	OBTAIN LOCALLY	8				0	0
22	70000-74028	OBTAIN LOCALLY	6				0	0
23	70000-74028	OBTAIN LOCALLY	8				0	0
24	70000-74028	OBTAIN LOCALLY	4				0	0
25	70000-74028	OBTAIN LOCALLY	6				0	0
26	70000-74028	OBTAIN LOCALLY	4				0	0
27	70000-74028	OBTAIN LOCALLY	8				0	0
28	70000-74028	OBTAIN LOCALLY	14				0	0
29	70000-74028	OBTAIN LOCALLY	14				0	0
30	70000-74028	OBTAIN LOCALLY	6				0	0
31	70000-74028	OBTAIN LOCALLY	4				0	0
32	70000-74028	OBTAIN LOCALLY	3				0	0
33	70000-74028	OBTAIN LOCALLY	3				0	0
34	70000-74028	OBTAIN LOCALLY	4				0	0
35	70000-74028	OBTAIN LOCALLY	6				0	0
36	70000-74028	OBTAIN LOCALLY	6				0	0
37	70050-02036	HAIRPIN CLIP	3				0	0
38	70001-00066	BUCKET 42 SQ BACK	1				0	0
38A	70001-00066	BUCKET 48 SQ BACK	1				0	0
38B	70001-00066	BUCKET 54 SQ BACK	1				0	0
39	70000-74028	BRACKET	1				0	0
40	70050-02613	LABEL KIT	1				0	0
41	70050-93701	LABEL KIT	1				0	0



**B1640&40A TRACTOR HYDRAULICS**

↔ Interchangeable; ≠ not interchangeable; ← new for old; → old for new

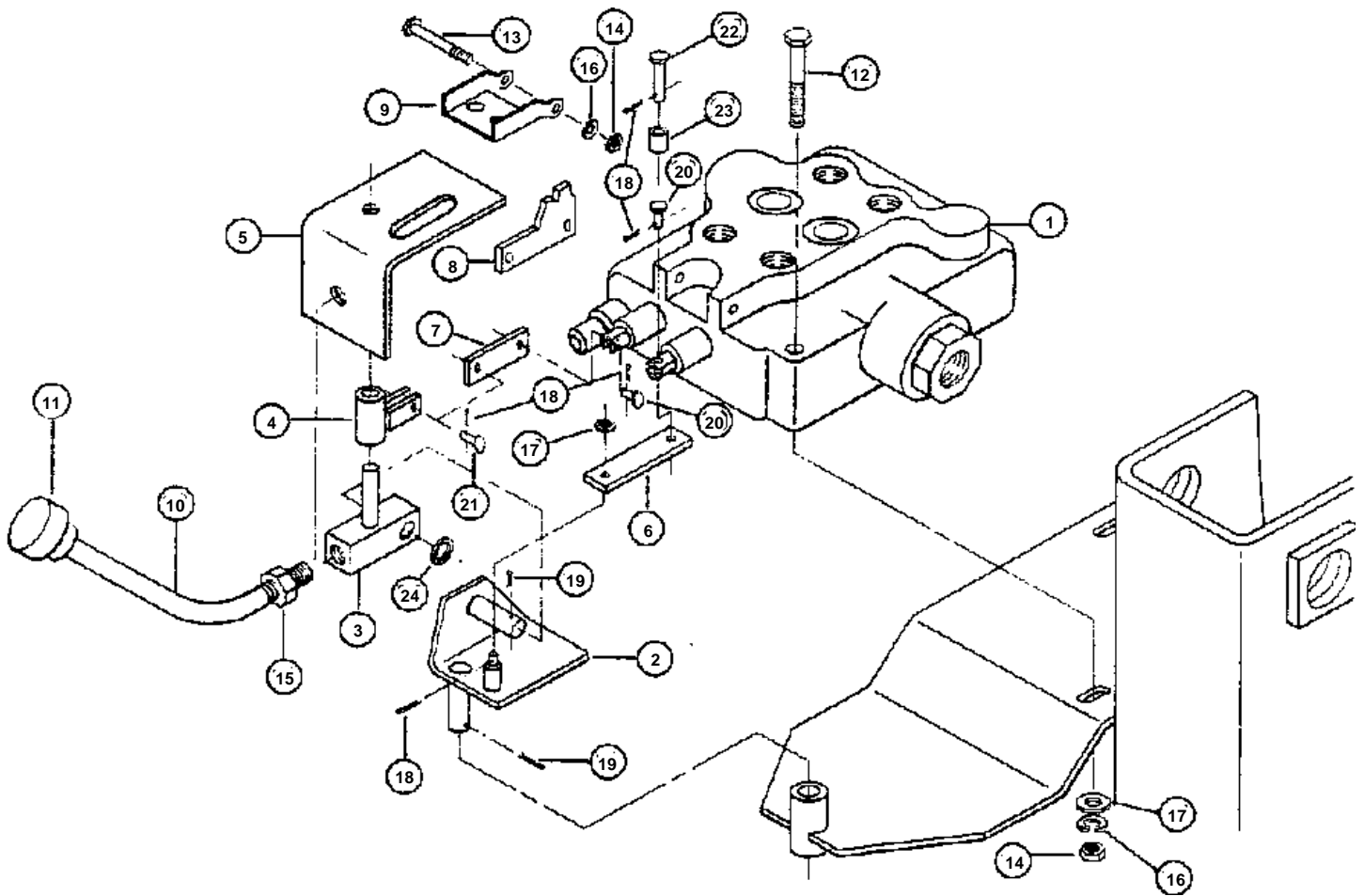
REF.No	Part No.	Description	Q'ty	S.No.	I/C	REMARKS	Weight (kgf)	Weight (lb)
1	70050-01615	FITTING RETURN OIL	1				0	0
2	70050-02606	QUICK COUPLER 3/8	2				0	0
3	70050-02607	QUICK COUPLER 1/4	1				0	0
4	70050-02608	DUST CAP SET	1				0	0
5	70050-01641	HOSE	1				0	0
6	70050-02563	HOSE	1				0	0
7	70050-02564	HOSE	1				0	0
8	70050-02192	ADAPTER	2				0	0
9	70050-02193	O-RING	2				0	0
10	70050-01620	FITTING	2				0	0
11	70050-02576	FITTING	1				0	0
12	70050-01619	FITTING	1				0	0
13	70050-02566	FITTING	1				0	0
14	70070-00390	NIPPLE	2				0	0
15	70050-02574	REDUCER	1				0	0
16	70050-02240	O-RING	1				0	0
17	70000-74028	OBTAIN LOCALLY	2				0	0



**B1630, 40 & 40A LIFT FRAMES & COMPONENTS**

↔ Interchangeable; ≠ not interchangeable; ← new for old; → old for new

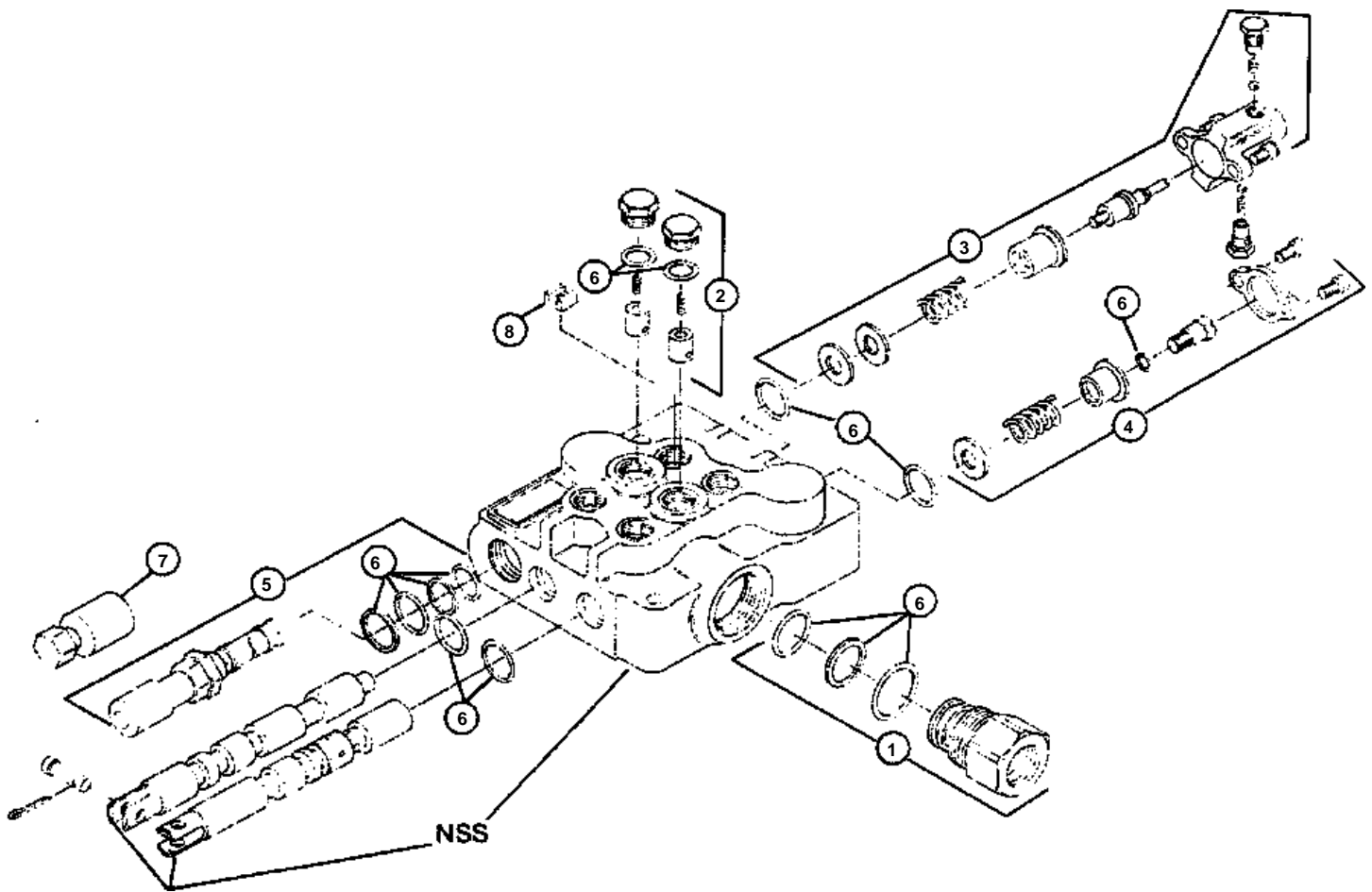
REF.No	Part No.	Description	Q'ty	S.No.	I/C	REMARKS	Weight (kgf)	Weight (lb)
1	70050-01585	LIFT FRAME ASSY	1				0	0
2	70050-01614	PIVOT PIN SPECIAL	12				0	0
3	70050-01621	HAIR PIN CLIP	12				0	0
4	70000-74028	OBTAIN LOCALLY	3				0	0
5	70050-01639	INDICATOR	1				0	0
6	70050-01640	ROD	1				0	0
7	70000-74028	OBTAIN LOCALLY	1				0	0
8	70000-74028	OBTAIN LOCALLY	4				0	0
9	70001-00066	BUCKET 42 RND BACK	1				0	0
10	70001-00066	BUCKET 48 RND BACK	1				0	0
11	70001-00066	BUCKET 54 RND BACK	1				0	0
12	70050-01589	LABEL KUBOTA	2				0	0
13B	70050-93700	LABEL B1640A	2				0	0
14	70050-01586	BRACKET	4				0	0
15	70000-74028	OBTAIN LOCALLY	2				0	0
16	70000-74028	OBTAIN LOCALLY	3				0	0



**B1630, 40 & 40A SINGLE LEVER CONTROL**

↔ Interchangeable; ≠ not interchangeable; ← new for old; → old for new

REF.No	Part No.	Description	Q'ty	S.No.	I/C	REMARKS	Weight (kgf)	Weight (lb)
1	70050-01597	CONTROL VALVE TWO	1				0	0
2	70050-01598	YOKE	1				0	0
3	70050-01599	BUSHING	1				0	0
4	70050-01600	CLEVIS SPECIAL	1				0	0
5	70050-01601	COVER	1				0	0
6	70050-01602	LONG LINK	1				0	0
7	70050-01603	SHORT LINK	1				0	0
8	70050-02609	LOCK LINK	1				0	0
9	70050-02611	LOCK LATCH PLATE	1				0	0
10	70050-01604	LEVER HANDLE	1				0	0
11	70050-01605	KNOB	1				0	0
12	70000-74028	OBTAIN LOCALLY	2				0	0
13	70000-74028	OBTAIN LOCALLY	1				0	0
14	70000-74028	OBTAIN LOCALLY	3				0	0
15	70000-74028	OBTAIN LOCALLY	1				0	0
16	70000-74028	OBTAIN LOCALLY	3				0	0
17	70000-74028	OBTAIN LOCALLY	3				0	0
18	70000-74028	OBTAIN LOCALLY	4				0	0
19	70000-74028	OBTAIN LOCALLY	2				0	0
20	70050-02251	CLEVIS PIN	2				0	0
21	70050-01612	CLEVIS PIN	1				0	0
22	70050-02612	CLEVIS PIN	1				0	0
23	70050-02610	SPACER	1				0	0
24	70000-74028	OBTAIN LOCALLY	1				0	0



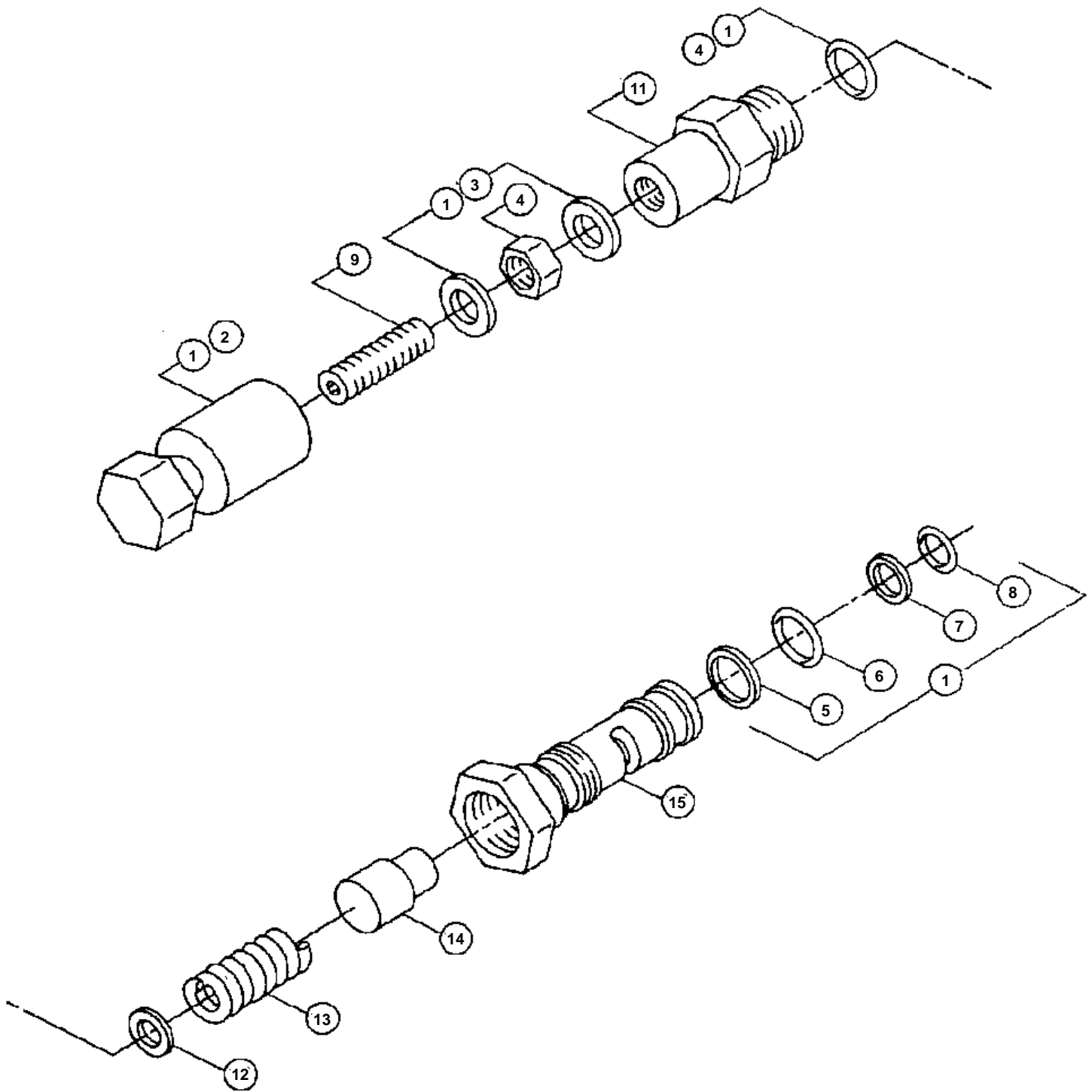


B1630, 40 & 40A CONTROL VALVE

↔ Interchangeable; ≠ not interchangeable; ← new for old; → old for new

REF.No	Part No.	Description	Q'ty	S.No.	I/C	REMARKS	Weight (kgf)	Weight (lb)
1	70050-01556	KIT POWER BEYOND	1				0	0
2	70050-01557	KIT LOAD CHECK	1				0	0
3	70050-01559	KIT DETENT	1				0	0
4	70050-01662	KIT SPRING	1				0	0
5	70050-02252	RELIEF CARTRIDGE	1				0	0
6	70050-01558	SEAL KIT	1				0	0
7	70050-02248	CAP TAMPER PROOF	1				0	0
8	70050-02183	ORIFICE PLATE	1				0	0
9	70050-01597	CONTROL VALVE TWO	1				0	0

PRESSURE RELIEF CARTRIDGE

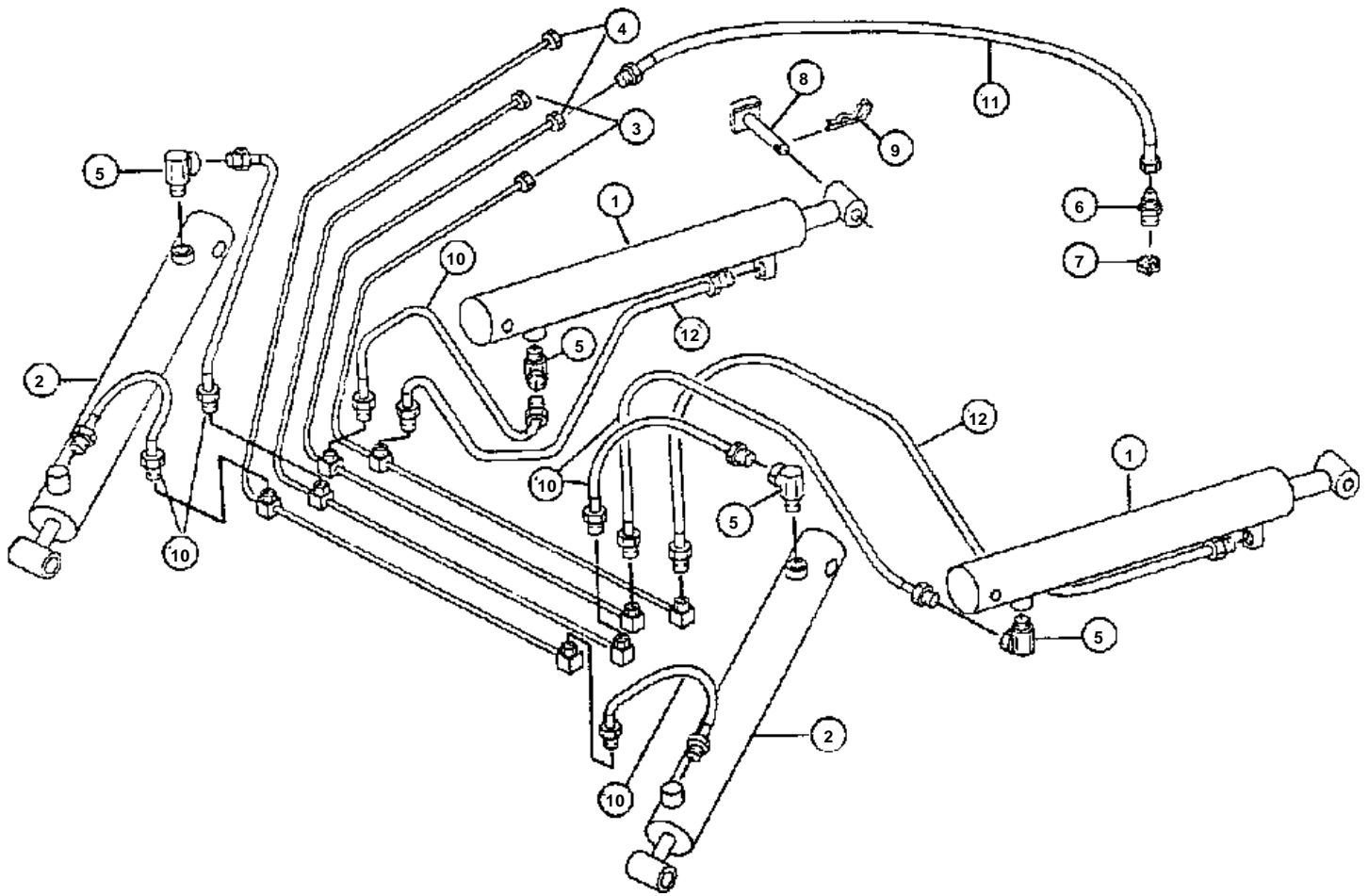




PRESSURE RELIEF CARTRIDGE

↔ Interchangeable; ≠ not interchangeable; ← new for old; → old for new

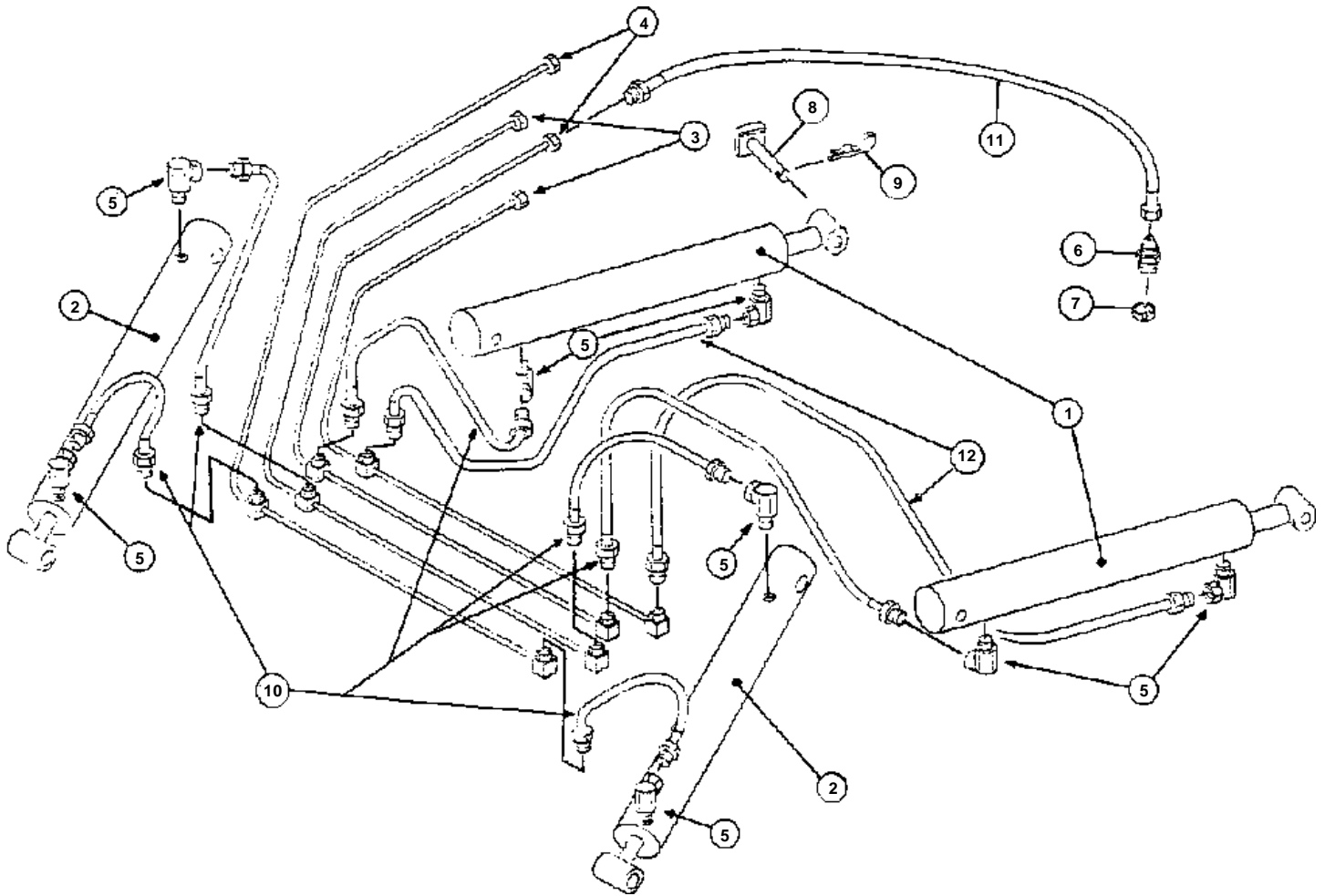
REF.No	Part No.	Description	Q'ty	S.No.	I/C	REMARKS	Weight (kgf)	Weight (lb)
1	70050-02253	SEAL KIT BOTH	1				0	0
2	70050-02248	TAMPERPROOF CAP	1				0	0
3	70050-02248	GASKET ALUMINUM	2				0	0
4	70050-02248	O-RING	1				0	0
5	70050-02248	BACK-UP RING	1				0	0
6	70050-02248	O-RING	1				0	0
7	70050-02248	BACK-UP RING	1				0	0
8	70050-02248	O-RING	1				0	0
9	70050-02253	ADJUSTING SCREW	1				0	0
10	70050-02253	LOCKNUT	1				0	0
11	70050-02253	SPRING HOUSING	1				0	0
12	70050-02253	FLATWASHER	1				0	0
13	70050-02253	SPRING	1				0	0
14	70050-02253	POPPET	1				0	0
15	70050-02253	MAIN HOUSING	1				0	0
17	70050-02252	RELIEF CARTRIDGE	1				0	0





↔ Interchangeable; ≠ not interchangeable; ← new for old; → old for new

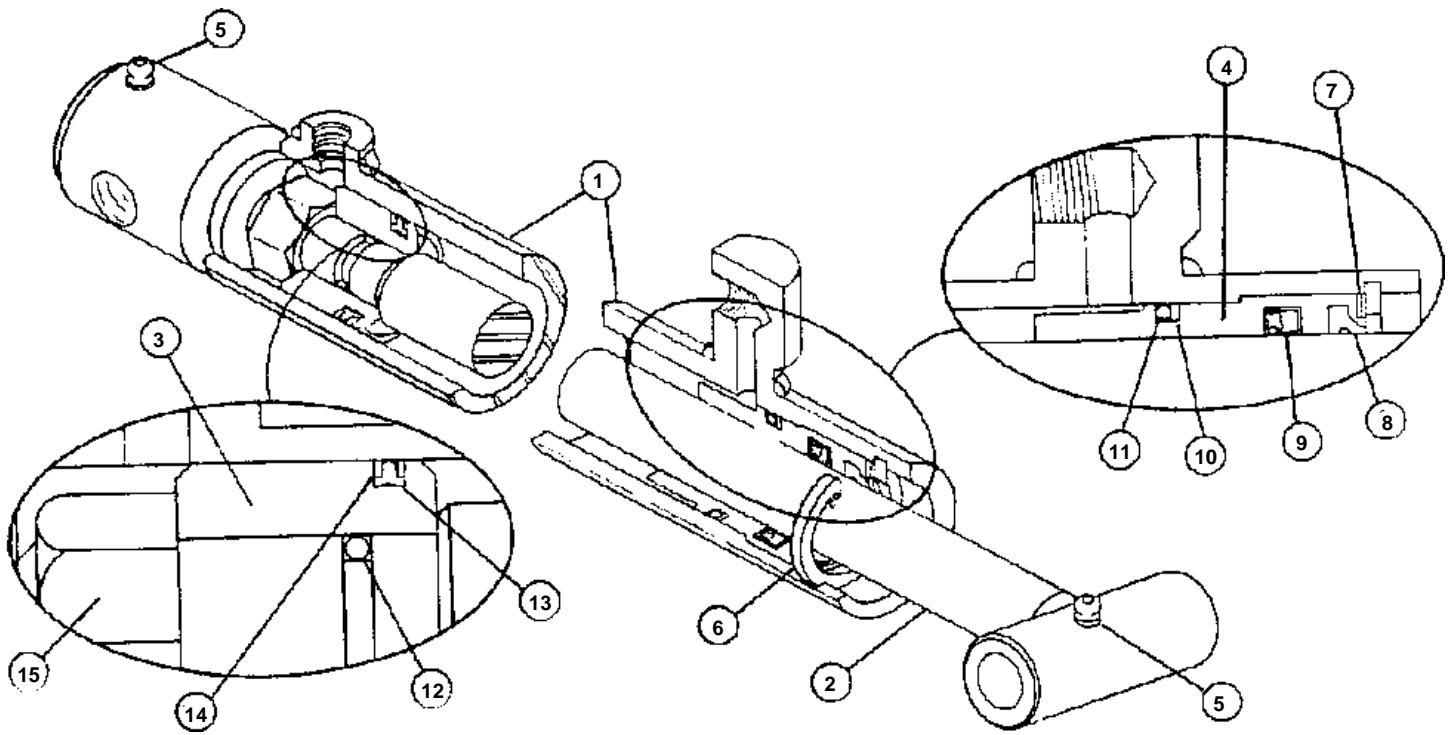
REF.No	Part No.	Description	Q'ty	S.No.	I/C	REMARKS	Weight (kgf)	Weight (lb)
1	70050-01563	LIFT CYLINDER	2				0	0
2	70050-01579	BUCKET CYLINDER	2				0	0
3	70050-01587	STEEL LINE SHORT	2				0	0
4	70050-01588	STEEL LINE LONG	2				0	0
5	70050-01619	FITTING	4				0	0
6	70050-01554	FITTING	4				0	0
7	70050-02183	ORIFICE PLATE	1				0	0
8	70050-01614	PIVOT PIN SPECIAL	12				0	0
9	70050-01621	HAIRPIN CLIP	12				0	0
10	70050-01641	HOSE	6				0	0
11	70050-01553	HOSE	4				0	0
12	70050-01642	HOSE	2				0	0





↔ Interchangeable; ≠ not interchangeable; ← new for old; → old for new

REF.No	Part No.	Description	Q'ty	S.No.	I/C	REMARKS	Weight (kgf)	Weight (lb)
1	70050-93634	LIFT CYLINDER	2				0	0
2	70050-93635	BUCKET CYLINDER	2				0	0
3	70050-01587	STEEL LINE SHORT	2				0	0
4	70050-01588	STEEL LINE LONG	2				0	0
5	70050-93569	FITTING	8				0	0
6	70050-01554	FITTING	4				0	0
7	70050-01283	ORIFICE PLATE	1				0	0
8	70050-01614	PIVOT PIN SPECIAL	12				0	0
9	70050-01621	HAIRPIN CLIP	12				0	0
10	70050-01641	HOSE	6				0	0
11	70050-01553	HOSE	4				0	0
12	70050-01642	HOSE	2				0	0

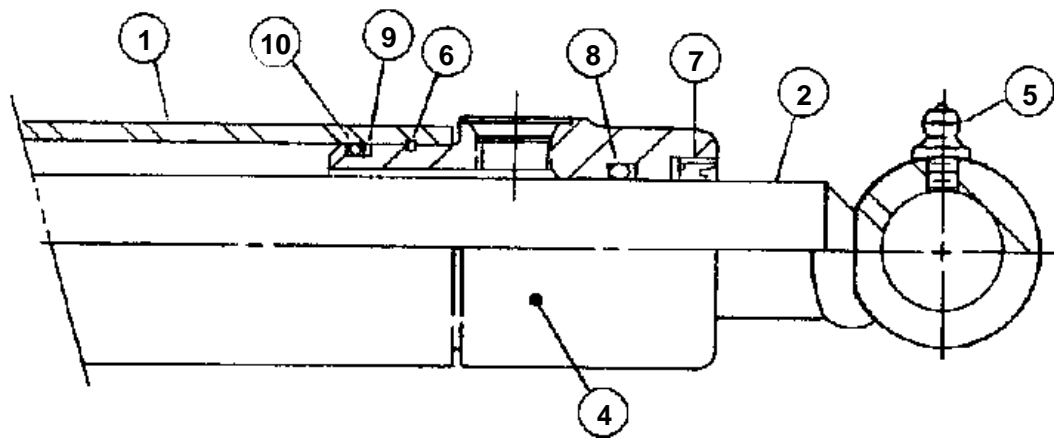
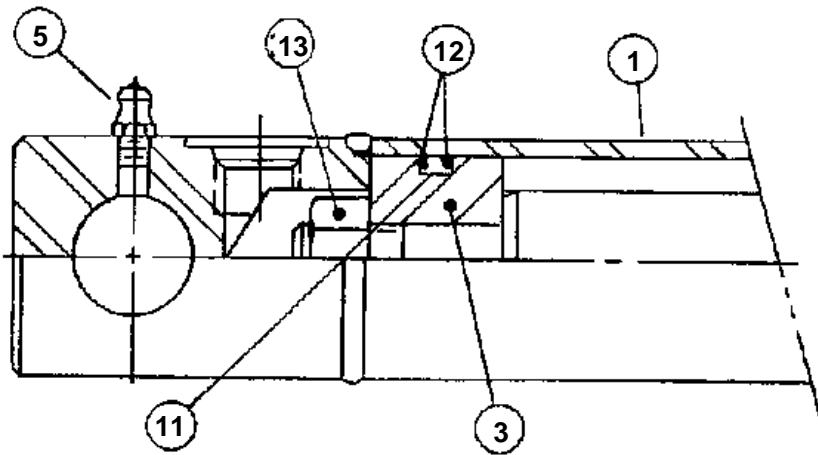




LIFT CYLINDER B1630 <=2004921 B1640/A <=244005472

↔ Interchangeable; ≠ not interchangeable; ← new for old; → old for new

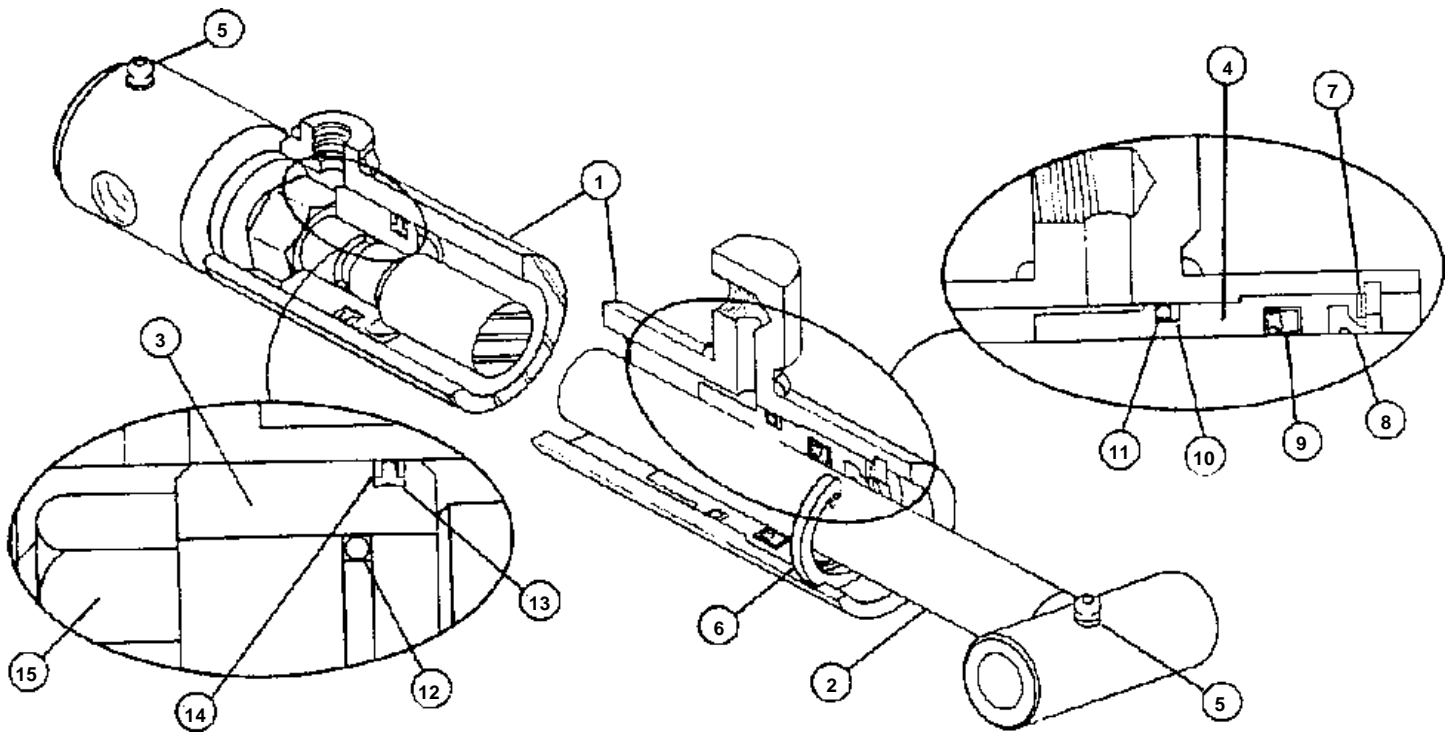
REF.No	Part No.	Description	Q'ty	S.No.	I/C	REMARKS	Weight (kgf)	Weight (lb)
1	70050-01565	BARREL	1				0	0
2	70050-01566	ROD	1				0	0
3	70050-02491	PISTON	1				0	0
4	70050-02492	HEAD GLAND	1				0	0
5	70050-01569	LUBE FITTING	2				0	0
6	70050-02489	INTERNAL SNAP RING	1				0	0
7	70050-02489	SHIM KIT	1				0	0
8	70050-02489	ROD WIPER	1				0	0
9	70050-02489	ROD SEAL	1				0	0
10	70050-02489	BACK-UP RING	1				0	0
11	70050-02489	O-RING	1				0	0
12	70050-02489	ROD STATIC SEAL	1				0	0
13	70050-02489	PISTON T SEAL	1				0	0
14	70050-02489	T SEAL BACK-UP RING	1				0	0
15	70050-02489	LOCKNUT 3/4-16	1				0	0
16	70050-01563	CYLINDER - COMPLETE	2				0	0
17	70050-02489	SEAL KIT	1				0	0



**BUCKET CYLINDER B1630 <=22004921 B1640/A <=2005472**

↔ Interchangeable; ≠ not interchangeable; ← new for old; → old for new

REF.No	Part No.	Description	Q'ty	S.No.	I/C	REMARKS	Weight (kgf)	Weight (lb)
1	70050-93636	CYLINDER BARREL	1				0	0
2	70050-93638	CYLINDER ROD	1				0	0
3	70050-93637	PISTON	1				0	0
4	70050-93640	HEAD GLAND	1				0	0
5	70050-01569	LUBE FITTING	2				0	0
6	70050-93642	RETAINING WIRE	1				0	0
7	70050-93642	ROD WIPER	1				0	0
8	70050-93642	ROD SEAL	1				0	0
9	70050-93642	BACK-UP RING	1				0	0
10	70050-93642	O-RING	1				0	0
11	70050-93642	PISTON T SEAL	1				0	0
12	70050-93642	T SEAL BACK-UP RING	2				0	0
13	70050-93642	W/LOCKNUT 1/2-20	1				0	0
14	70050-93634	CYLINDER - COMPLETE	2				0	0
15	70050-93642	SEAL KIT	1				0	0

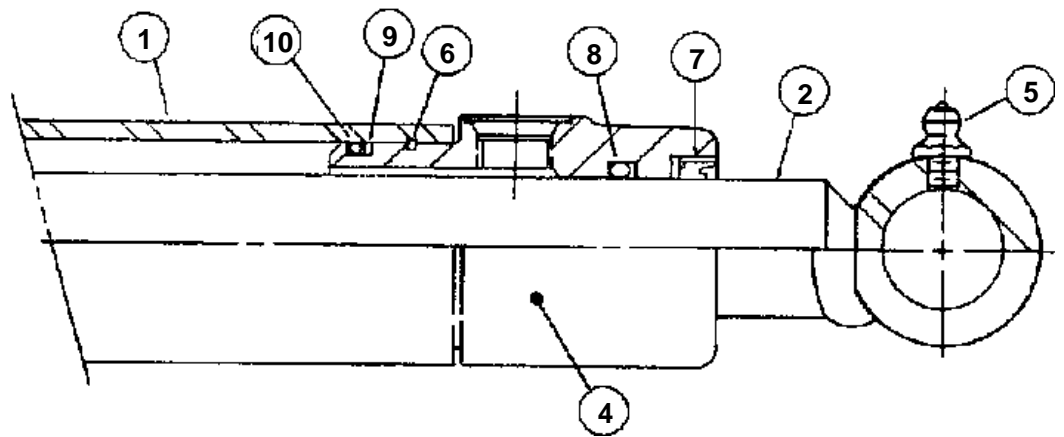
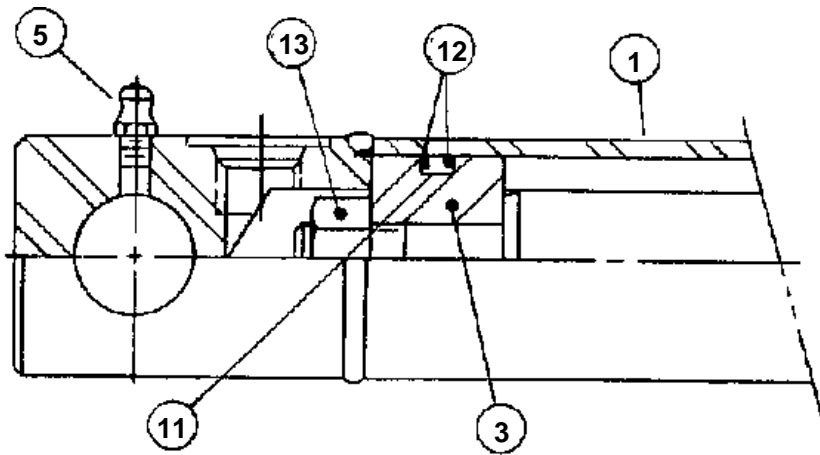




LIFT CYLINDER B1630=>22004922 B1640/A =>24005473

↔ Interchangeable; ≠ not interchangeable; ← new for old; → old for new

REF.No	Part No.	Description	Q'ty	S.No.	I/C	REMARKS	Weight (kgf)	Weight (lb)
1	70050-01565	BARREL	1				0	0
2	70050-01580	ROD	1				0	0
3	70050-02491	PISTON	1				0	0
4	70050-02493	HEAD GLAND	1				0	0
5	70050-01569	LUBE FITTING	2				0	0
6	70050-02490	INTERNAL SNAP RING	1				0	0
7	70050-02490	SHIM KIT	1				0	0
8	70050-02490	ROD WIPER	1				0	0
9	70050-02490	ROD SEAL	1				0	0
10	70050-02490	BACK-UP RING	1				0	0
11	70050-02490	O-RING	1				0	0
12	70050-02490	ROD STATIC SEAL	1				0	0
13	70050-02490	PISTON T SEAL	1				0	0
14	70050-02490	T SEAL BACK-UP RING	2				0	0
15	70050-02490	LOCKNUT 3/4-16	1				0	0
16	70050-01579	CYLINDER - COMPLETE	2				0	0
17	70050-02490	SEAL KIT	1				0	0



**BUCKET CYLINDER B1630=>22004922 B1640/A=>24005473**

↔ Interchangeable; ≠ not interchangeable; ← new for old; → old for new

REF.No	Part No.	Description	Q'ty	S.No.	I/C	REMARKS	Weight (kgf)	Weight (lb)
1	70050-93636	CYLINDER BARREL	1				0	0
2	70050-93639	CYLINDER ROD	1				0	0
3	70050-93637	PISTON .	1				0	0
4	70050-93641	HEAD GLAND	1				0	0
5	70050-01569	LUBE FITTING	2				0	0
6	70050-93643	RETAINING WIRE	1				0	0
7	70050-93643	ROD WIPER	1				0	0
8	70050-93643	ROD SEAL	1				0	0
9	70050-93643	BACK-UP RING	1				0	0
10	70050-93643	O-RING	1				0	0
11	70050-93643	PISTON T SEAL	1				0	0
12	70050-93643	T SEAL BACK-UP RING	2				0	0
13	70050-93643	LOCKNUT 1/2-20	1				0	0
14	70050-93635	CYLINDER - COMPLETE	2				0	0
15	70050-93643	SEAL KIT	1				0	0