

Instructions for Parts Books

The heading at the top of the page will be the same for the picture of the parts as it is for the page with the part numbers.

Definition of column headings on part number pages:

REF.No → The number referring to the part on the picture page of the parts book.

Part No. → The number assigned to this part at the time of printing the parts book.

Part Name → Description of part.

Q'ty → Quantity of part used on that page.

S.No. → Serial number range of the equipment that this part will fit.

>= Your serial number should be greater than or equal to the number shown.

<= Your serial number should be lesser than or equal to the serial number shown.

I/C → Interchangeability of part shown.

= The part shown will work for the older and later serial number.

NI The part shown is not interchangeable with the other serial number.

Remarks → Notes about this particular part. Sometimes this may say except [FR] or [CA]

Note about Country Codes:

The parts books we use in the United States of America may also contain information about a part that would be

different in another country. It is important that you are aware of the country codes in some instances.

Symbol Country

A United States of America

CA Canada

FR France

GR Greece

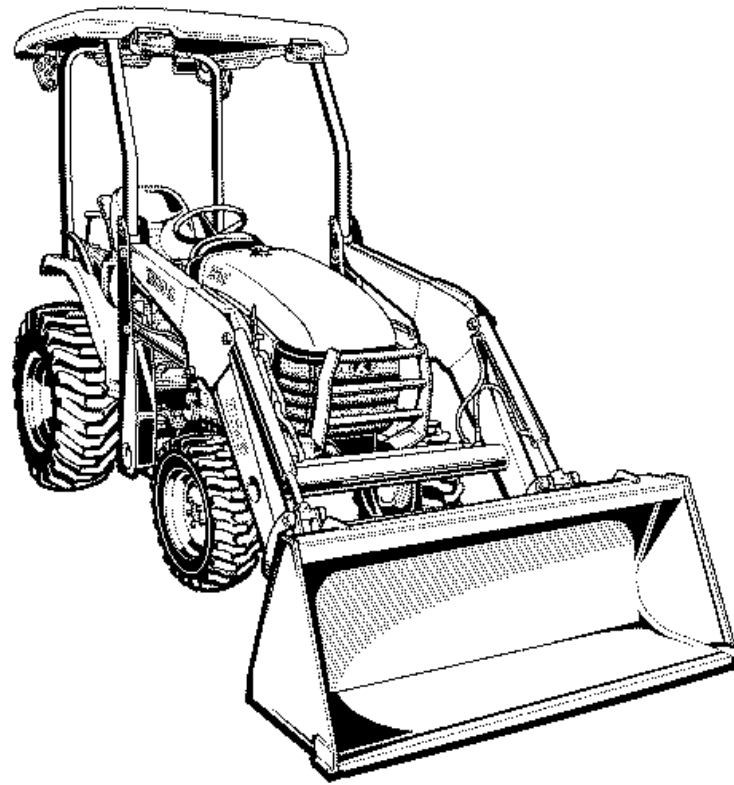
PO Portugal

AU Australia

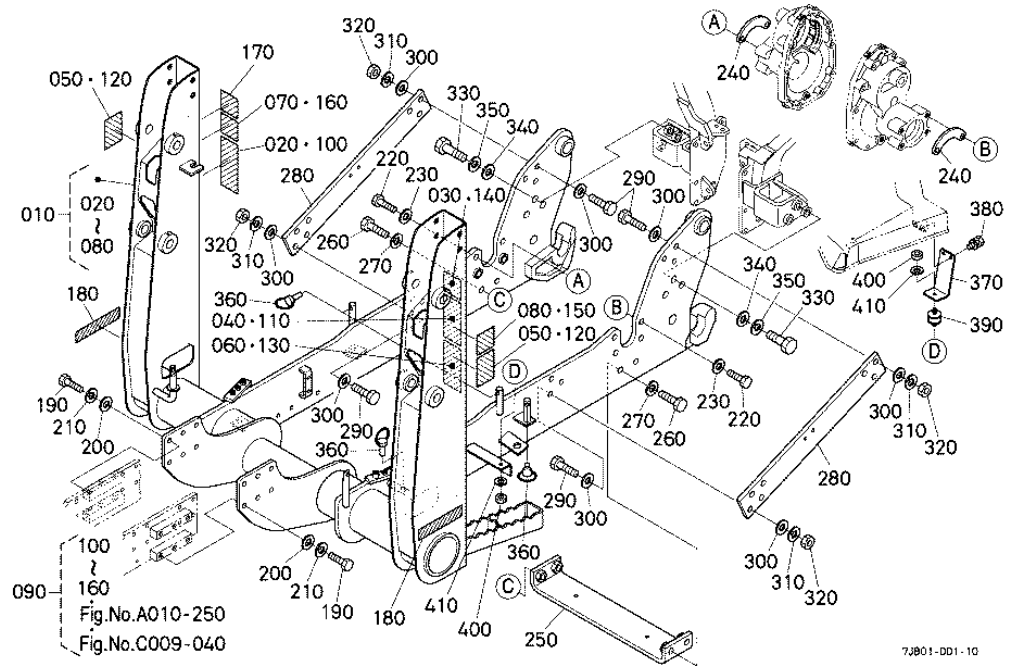
If the remarks column says for example EXCEPT [FR] this part works in all countries except France.

That means it will work here in the USA.

TL500



MAIN FRAME



MAIN FRAME

Ref	Part Number	Part Name	Qty	IC	S/N	Lbs	Remarks
010	7J801-90112	FRAME MAIN(LABEL)	1			0	
020	7J246-56410	LABEL DANGER 1	1			0.004	ENGLISH
030	7J246-56420	LABEL DANGER 2	1			0.002	ENGLISH
040	7J246-56430	LABEL DANGER 3	1			0.004	ENGLISH
050	7J246-56442	LABEL WARNING 1	2			0.022	ENGLISH
060	7J246-56450	LABEL CAUTION 1	1			0.004	ENGLISH
070	7J266-56490	LABEL CAUTION 4	1			0.002	ENGLISH

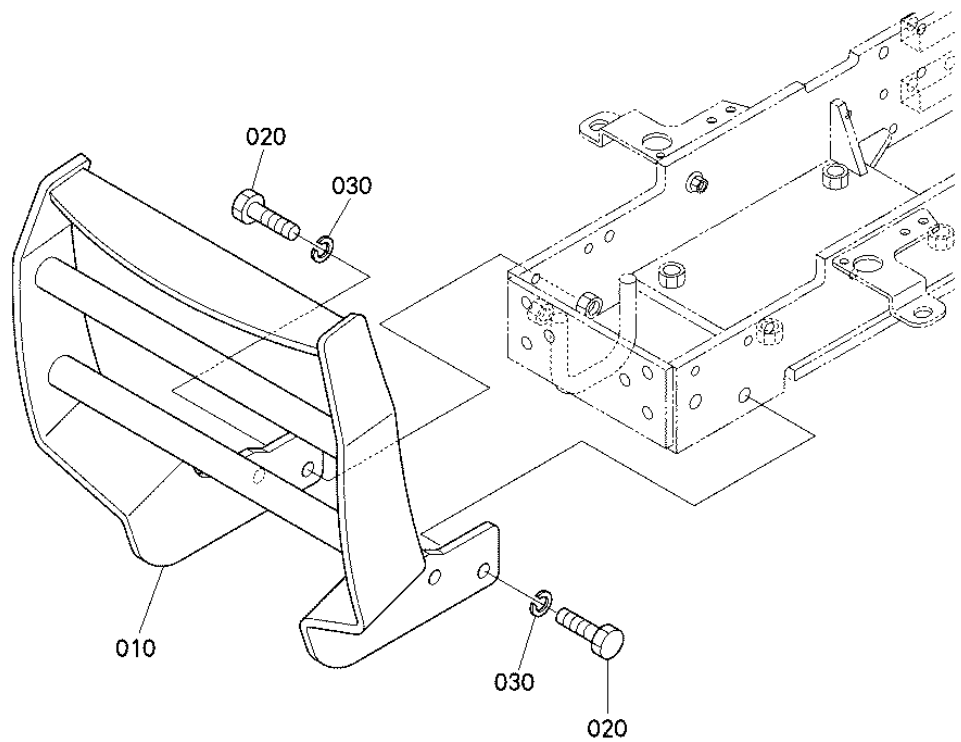
MAIN FRAME

Ref	Part Number	Part Name	Qty	IC	S/N	Lbs	Remarks
080	75580-56370	LABEL LUBRICATE	1			0.002	ENGLISH
090	7J801-95500	KIT FRENCH(TL500)	1			0	
100	75546-99613	LABEL DANGER 1(F)	1			0.002	FRENCH
110	75546-99632	LABEL DANGER 3(F)	1			0.022	FRENCH
120	75546-99642	LABEL WARNING 1(F)	2			0.002	FRENCH
130	75546-99654	LABEL CAUTION(F)	1			0.006	FRENCH
140	75567-99622	LABEL DANGER 2(F)	1			0.006	FRENCH
150	75580-95550	LABEL LUBRICATE (F)	1			0.002	FRENCH
160	7J266-99682	LABEL CAUTION 4(F)	1			0.002	FRENCH
170	7J266-62360	LABEL CONTROL	1			0.004	
180	7J801-58460	LABEL TL500	2			0	
190	01176-51435	BOLT	12			0.123	
200	75599-32516	WASHER PLAIN	12			0.024	
210	04512-60140	WASHER SPRING	12			0.017	
220	01128-51245	BOLT	8			0	
230	75599-32515	WASHER PLAIN	8			0.022	
240	32741-29140	SPACER	2			0	
250	32741-29130	CONNECTOR	1			0	
260	01073-51650	BOLT	4			0.231	
270	04512-60160	WASHER SPRING	4			0.022	
280	7K501-16743	PLATE CONNECTING	2			0	
290	01073-51650	BOLT	12			0.231	
300	75599-32517	WASHER PLAIN	24			0.035	
310	04512-60160	WASHER SPRING	12			0.022	
320	02076-50160	NUT	12			0.066	
330	01073-51650	BOLT	6			0.231	

MAIN FRAME

Ref	Part Number	Part Name	Qty	IC	S/N	Lbs	Remarks
340	75599-32517	WASHER PLAIN	6			0.035	
350	04512-60160	WASHER SPRING	6			0.022	
360	34150-37640	PIN SET	4			0.132	
370	32741-29160	STAY FENDER	1			0	
380	01123-60816	BOLT	2			0.022	
390	PN201-82240	CUSHION RUBBER	1			0.165	
400	02156-50080	NUT	2			0.008	
410	04512-60080	WASHER SPRING	2			0.004	

FRONT GUARD

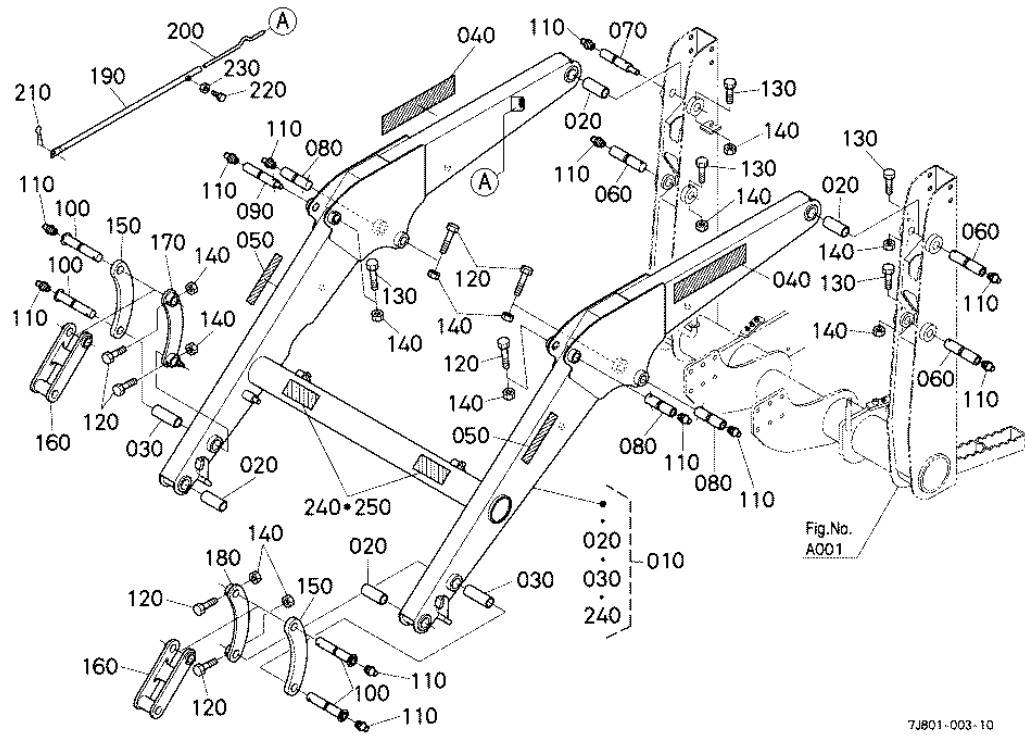


7J801-002-10

FRONT GUARD

Ref	Part Number	Part Name	Qty	IC	S/N	Lbs	Remarks
010	7J801-57810	GUARD FRONT	1			0	
020	01073-51440	BOLT	4			0.151	
030	04512-60140	WASHER SPRING	4			0.017	

BOOM



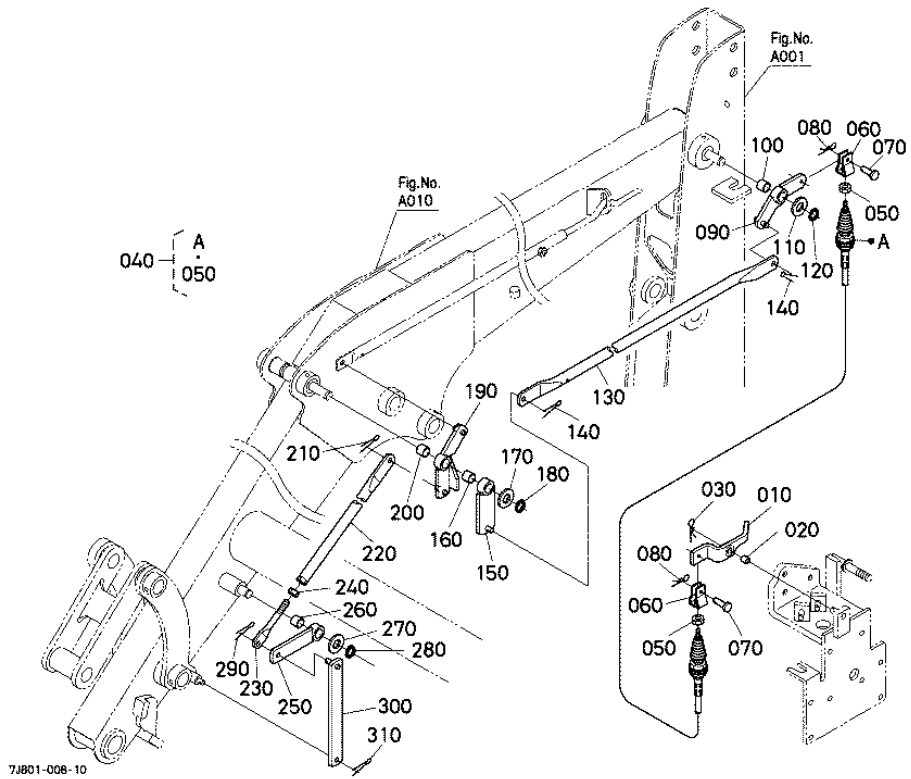
BOOM

Ref	Part Number	Part Name	Qty	IC	S/N	Lbs	Remarks
010	7J801-90150	BOOM(LABEL)	1			0	
020	7J801-58720	BUSHING 1	4			0	
030	7J801-58730	BUSHING 2	2			0	
040	TD060-80930	LABEL KUBOTA	2			0.015	
050	32741-47250	LABEL(B26)	2			0.011	
060	7J266-58710	PIN 3	3			1.056	
070	7J801-58750	PIN 5	1			0	

BOOM

Ref	Part Number	Part Name	Qty	IC	S/N	Lbs	Remarks
080	75545-58710	PIN 3	3			0.88	
090	7J801-58770	PIN 6	1			0	
100	7J801-58780	PIN 7	4			0	
110	75599-81520	FITTING GREASE	12			0.006	1/4-28T.T.
120	7J266-58980	HEX.BOLT	8			0.044	M6*1.00*55
130	7J801-58980	BOLT HEX.	4			0	M6*1.00*70
140	02552-50060	NUT LOCK	12			0.004	
150	7J801-58800	LINK 1	2			0	
160	7J801-58820	LINK 2	2			0	
170	7J801-58850	LINK COMP. 3	1			0	
180	7J801-58900	LINK COMP. 4	1			0	
190	7J801-58940	ASSY INDICATOR	1			0	
200	7J801-58950	ROD LEVEL	1			0	
210	05511-50325	PIN SPLIT	1			0.004	
220	01153-50820	BOLT	1			0.026	
230	02156-50080	NUT	1			0.008	
240	7J802-36480	LABEL DANGER QH	2			0	ENGLISH
250	7J266-99192	LABEL HITCH(F)	2			0.002	FRENCH

PARALLEL LINK



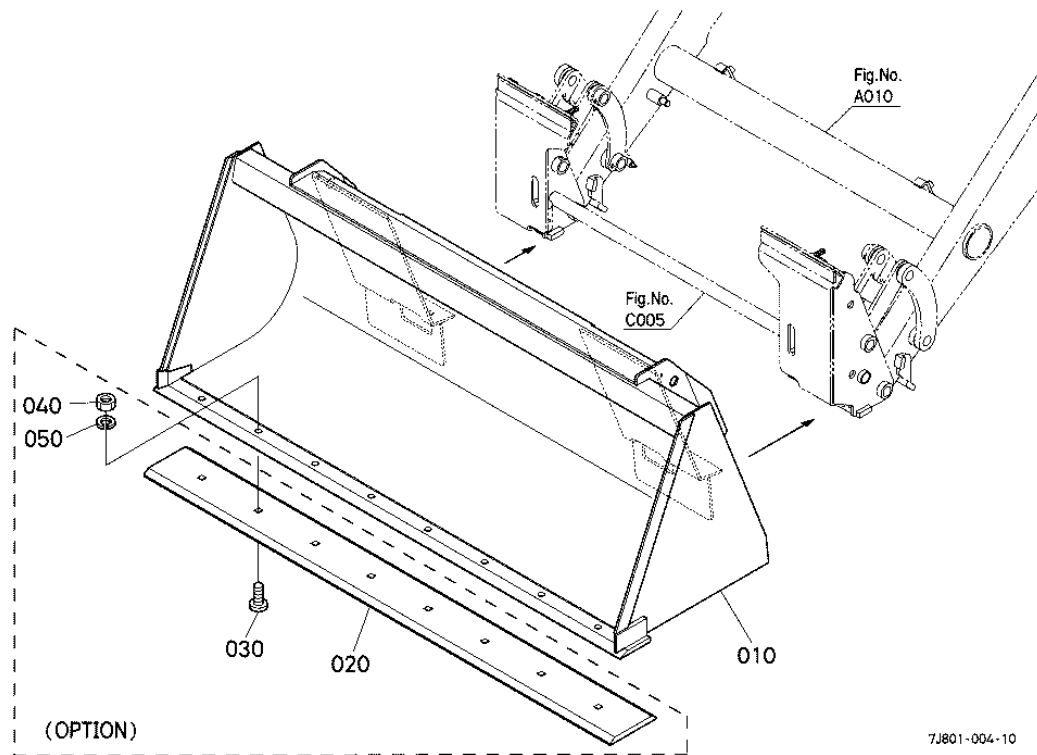
PARALLEL LINK

Ref	Part Number	Part Name	Qty	IC	S/N	Lbs	Remarks
010	7J801-62733	LINK 9	1			0	
020	08511-00810	BUSH	1			0.006	
030	05525-50800	PIN SNAP	1			0.002	
040	7J801-62680	ASSY CABLE	1			0	
050	02014-50060	NUT	2			0.004	
060	7J801-62510	END CABLE	2			0	
070	7J612-62190	PIN	2			0	

PARALLEL LINK

Ref	Part Number	Part Name	Qty	IC	S/N	Lbs	Remarks
080	05525-60500	PIN SNAP	2			0.002	
090	7J801-62612	LINK 4	1			0	
100	75580-62140	BUSHING 1	1			0.004	
110	75580-62150	COLLAR	1			0.022	
120	75599-41520	CIR-CLIP EXTERNAL	1			0.002	
130	7J801-62640	ROD 1 CONNECTING	1			0	
140	05511-50325	PIN SPLIT	2			0.004	
150	7J801-62650	LINK 5	1			0	
160	75580-62140	BUSHING 1	1			0.004	
170	75580-62150	COLLAR	1			0.022	
180	75599-41520	CIR-CLIP EXTERNAL	1			0.002	
190	7J801-62670	LINK 6	1			0	
200	75580-62140	BUSHING 1	1			0.004	
210	05511-50325	PIN SPLIT	1			0.004	
220	7J801-62690	ROD 2 CONNECTINGS	1			0	
230	75580-62510	ROD 3	1			0.088	
240	75599-31043	HEX.JAM NUT	1			0.011	3/8-24UNF
250	75583-62710	LINK 7	1			0.418	
260	75580-62140	BUSHING 1	1			0.004	
270	75580-62150	COLLAR	1			0.022	
280	75599-41520	CIR-CLIP EXTERNAL	1			0.002	
290	05511-50325	PIN SPLIT	1			0.004	
300	7J801-62720	LINK 8	1			0	
310	05511-50325	PIN SPLIT	1			0.004	

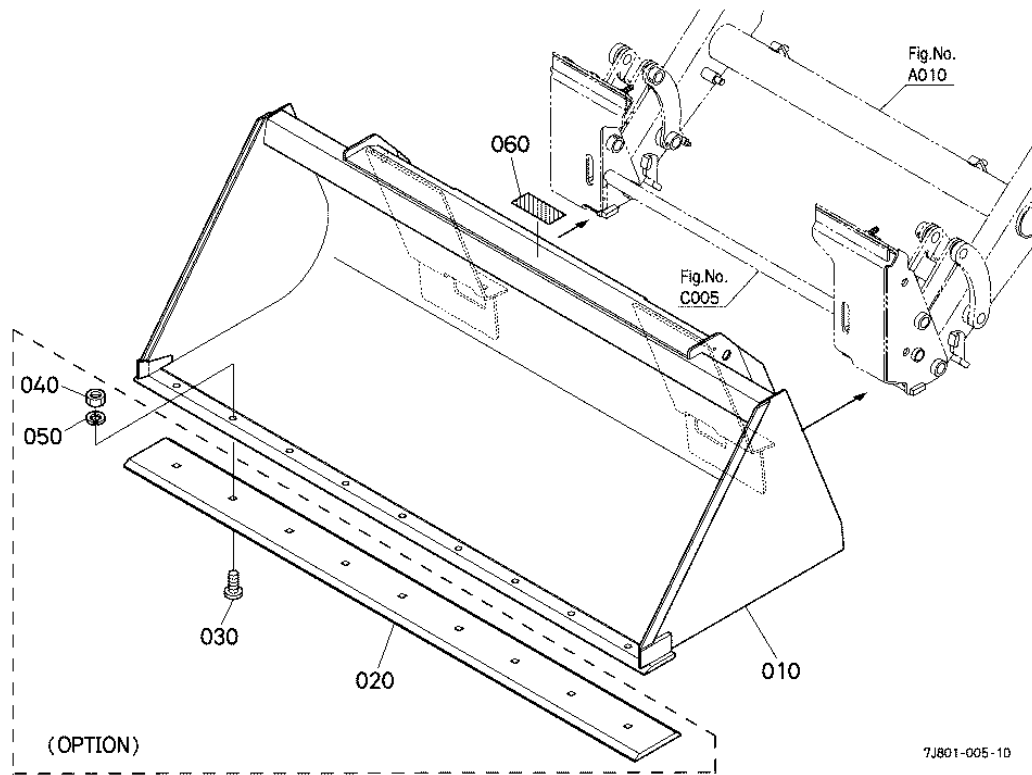
BUCKET [60INCH] ## [TL2142] BLADE,BOLT ON(TL2143)[OPTION]



BUCKET [60INCH]

Ref	Part Number	Part Name	Qty	IC	S/N	Lbs	Remarks
010	7J801-89010	BUCKET 60H QUICK	1			0	
020	7J801-79810	BLADE BOLT ON	1			0	OPTION TL2143
030	75599-09535	PLOW BOLT	8			0.101	OPTION 1/2-13UNC*1-3
040	75599-31015	NUT	8			0.022	OPTION 1/2-13UNC
050	75599-33015	WASHER SPRING LOCK	8			0.013	OPTION 1/2

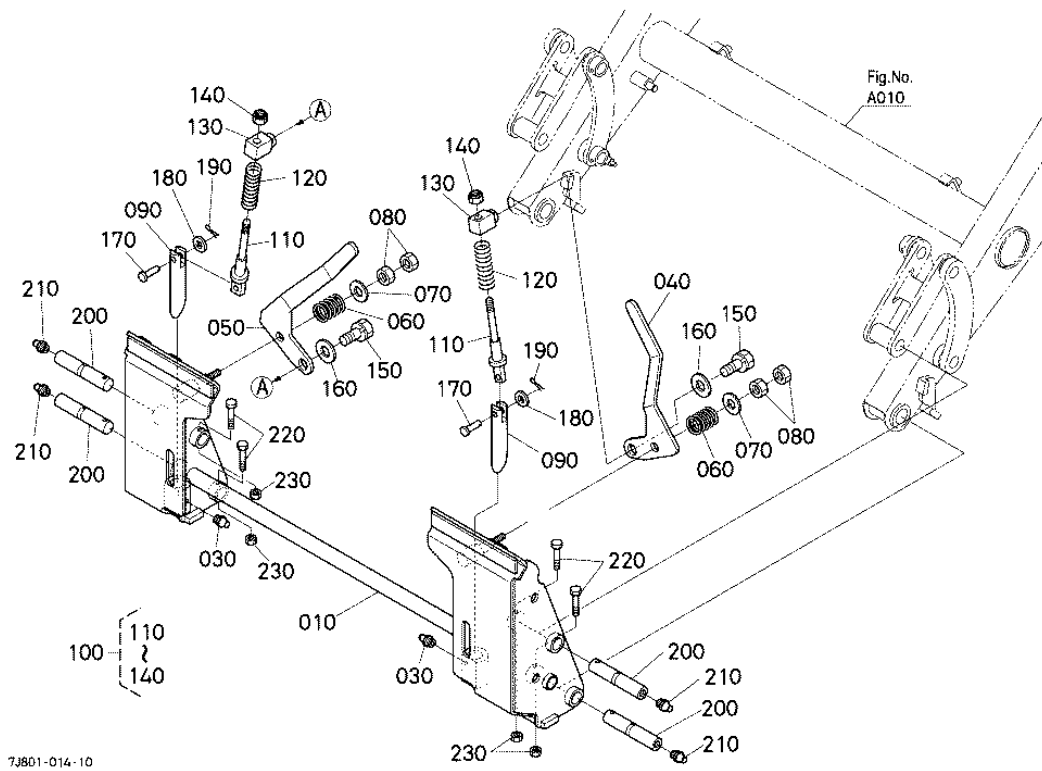
BUCKET [66INCH] ## [TL2144] BLADE,BOLT ON(TL1756)[OPTION]



BUCKET [66INCH]

Ref	Part Number	Part Name	Qty	IC	S/N	Lbs	Remarks
010	7J801-38010	BUCKET 66LM QUICK	1			0	
020	75582-79810	BLADE BOLT ON	1			0	OPTION TL1756
030	75599-09535	PLOW BOLT	9			0.101	OPTION 1/2-13UNC*1-3
040	75599-31015	NUT	9			0.022	OPTION 1/2-13UNC
050	75599-33015	WASHER SPRING LOCK	9			0.013	OPTION 1/2
060	7J268-38610	LABEL LIGHT MATERIAL	1			0	

QUICK HITCH



7J801-014-10

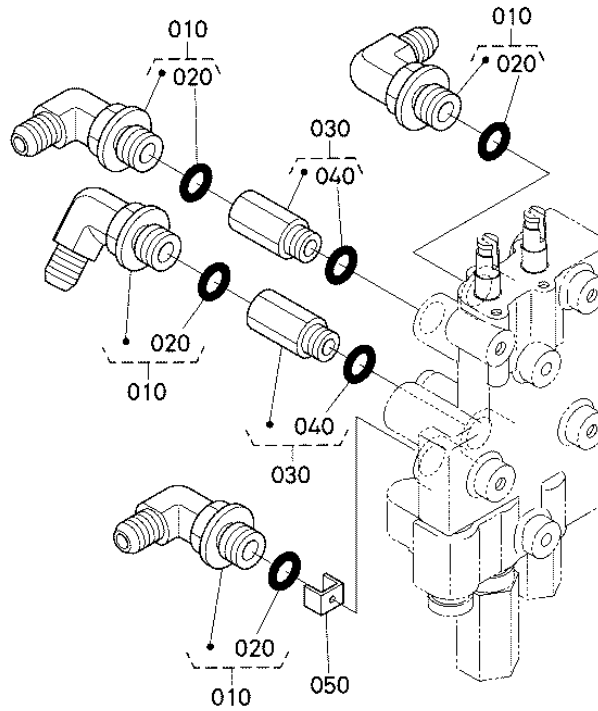
QUICK HITCH

Ref	Part Number	Part Name	Qty	IC	S/N	Lbs	Remarks
010	7J801-36104	HITCH QUICK(TL500)	1			0	
030	75599-81520	FITTING GREASE	2			0.006	
040	7J419-36310	HANDLE LATCH LH	1			0	
050	7J419-36320	HANDLE LATCH RH	1			0	
060	7J266-36350	SPRING HANDLE	2			0.264	
070	04015-60120	WASHER PLAIN	2			0.048	
080	02176-50120	NUT	4			0.022	

QUICK HITCH

Ref	Part Number	Part Name	Qty	IC	S/N	Lbs	Remarks
090	7J419-36430	PIN LATCH	2			0	
100	7J275-36300	LINK ASSY	2			0	
110	7J266-36470	LINK LATCH PIN	2			0	
120	7J266-36340	SPRING LATCH PIN	2			0.209	
130	7J266-36360	STOPPER LATCH SPRING	2			0.528	
140	02572-50120	NUT LOCK	2			0.030	
150	01133-51225	BOLT	2			0.077	
160	04015-60120	WASHER PLAIN	2			0.048	
170	05122-51040	PIN JOINT	2			0.055	
180	04013-60100	WASHER PLAIN	2			0.006	
190	05511-50325	PIN SPLIT	2			0.004	
200	7J266-58710	PIN 3	4			1.056	
210	75599-81520	FITTING GREASE	4			0.006	
220	7J266-58980	HEX.BOLT	4			0.044	M6*1.00*55
230	02552-50060	NUT LOCK	4			0.004	

CONTROL VALVE PLUG

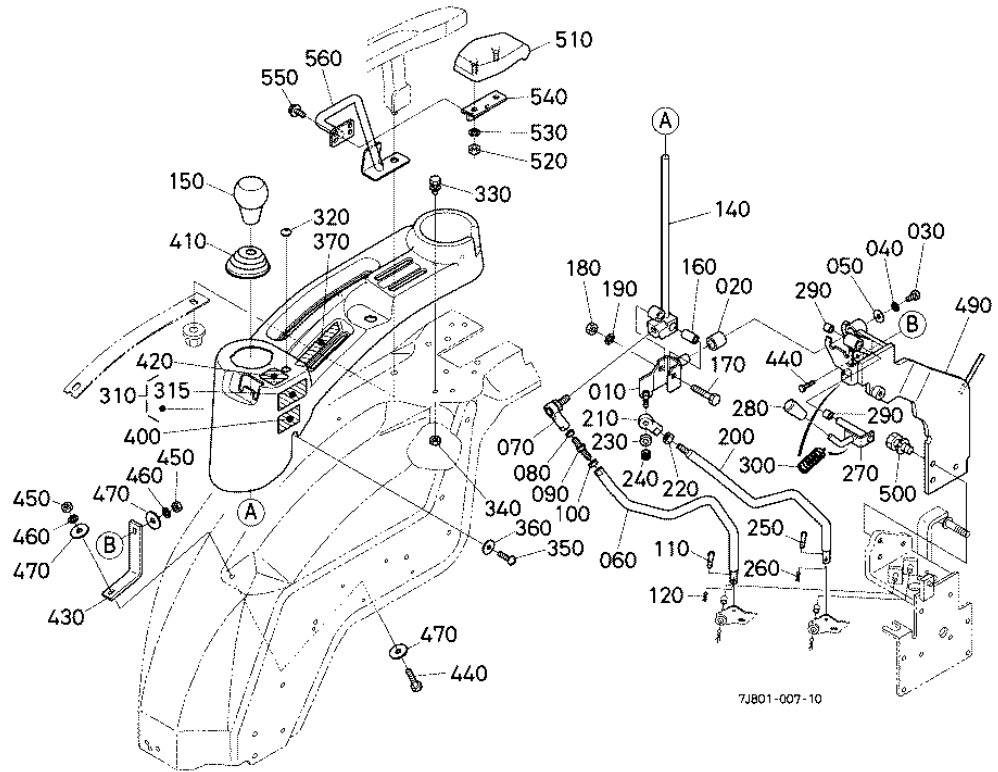


7J801-006-10

CONTROL VALVE PLUG

Ref	Part Number	Part Name	Qty	IC	S/N	Lbs	Remarks
010	75560-61950	ASSY ELBOW 2 ADJUSTA	4			0.308	
020	75540-61820	O-RING	4			0.002	
030	75595-63400	ASSY PLUG ORIFICE	2			0.176	
040	75540-61820	O-RING	2			0.002	
050	75546-61860	THROTTLE	1			0.019	

CONTROL LEVER



7J801-007-10

CONTROL LEVER

Ref	Part Number	Part Name	Qty	IC	S/N	Lbs	Remarks
010	7J801-62114	LEVER	1			0	
020	08511-01625	BUSH	1			0.022	
030	01153-50816	BOLT	1			0.022	
040	04512-60080	WASHER SPRING	1			0.004	
050	04015-60080	WASHER PLAIN	1			0.022	
060	7J801-62165	ROD 1	1			0	
070	7J801-62260	JOINT ROD END	1			0	

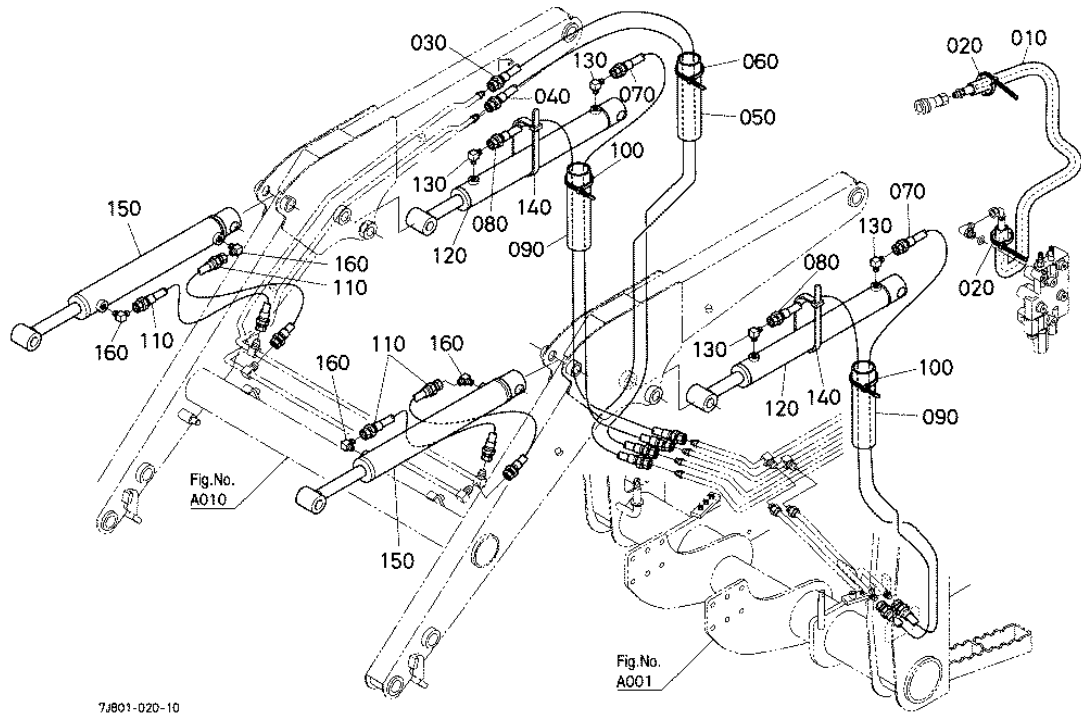
CONTROL LEVER

Ref	Part Number	Part Name	Qty	IC	S/N	Lbs	Remarks
080	75599-31043	HEX.JAM NUT	1			0.011	3/8-24UNF
090	7J801-62752	ROD 4	1			0	
100	7J801-62790	NUT	1			0	3/8-24UNF-LH
110	7J612-62190	PIN	1			0	
120	05525-60500	PIN SNAP	1			0.002	
140	7J801-62215	LEVER CONTROL	1			0	
150	7J612-62242	GRIP LEVER	1			0	
160	7J266-72150	SLEEVE	1			0.002	
170	01173-51050	BOLT	1			0.077	
180	02176-50100	NUT	1			0.011	
190	04512-60100	WASHER SPRING	1			0.004	
200	7J801-62285	ROD 2	1			0	
210	75540-62260	JOINT ROD END	1			0.154	
220	75599-31043	HEX.JAM NUT	1			0.011	3/8-24UNF
230	75540-62270	COLLAR	1			0.004	
240	75599-31923	NUT LOCKING	1			0.015	3/8-24UNF
250	7J612-62190	PIN	1			0	
260	05525-60500	PIN SNAP	1			0.002	
270	7J801-62414	LEVER LOCK	1			0	
280	06914-00100	GRIP LEVER	1			0.044	
290	08511-01210	BUSH	2			0.011	
300	7J266-62813	SPRING LOCK	1			0.22	
310	7J801-90232	COVER(LABEL)	1			0	
315	32741-47510	LABEL SAFETY START	1			0.002	
320	67950-53730	PLUG	1			0.004	
330	01025-50616	BOLT	1			0.011	

CONTROL LEVER

Ref	Part Number	Part Name	Qty	IC	S/N	Lbs	Remarks
340	02056-50060	NUT	1			0.004	
350	K2561-57160	SCREW CR-REC-BD-HD	1			0.022	
360	K6072-91110	WASHER PLAIN BLACK	1			0.022	
370	32741-47350	LABEL SPEED SET	1			0	
400	32741-47522	LABEL SEAT	1			0	
410	68701-65180	RUBBER BELLOWS	1			0.154	
420	7J801-62910	LABEL C/V LOCK	1			0	
430	7J801-61330	PLATE REINFORCEMENT	1			0	
440	01053-50625	BOLT	2			0.015	
450	02056-50060	NUT	2			0.004	
460	04512-60060	WASHER SPRING	2			0.002	
470	04015-60060	WASHER PLAIN	3			0.011	
490	7J801-61217	STAY LINK	1			0	
500	01133-51025	BOLT	3			0.050	
510	RC708-44632	WRISTREST	1			0.286	
520	02156-50080	NUT	2			0.008	
530	04512-60080	WASHER SPRING	2			0.004	
540	7J801-62820	STAY WRIST REST 2	1			0	
550	30400-18870	BOLT FLANGE	2			0.022	
560	7J801-62830	STAY WRIST REST 1	1			0	

CYLINDER/HYDRAULIC HOSE



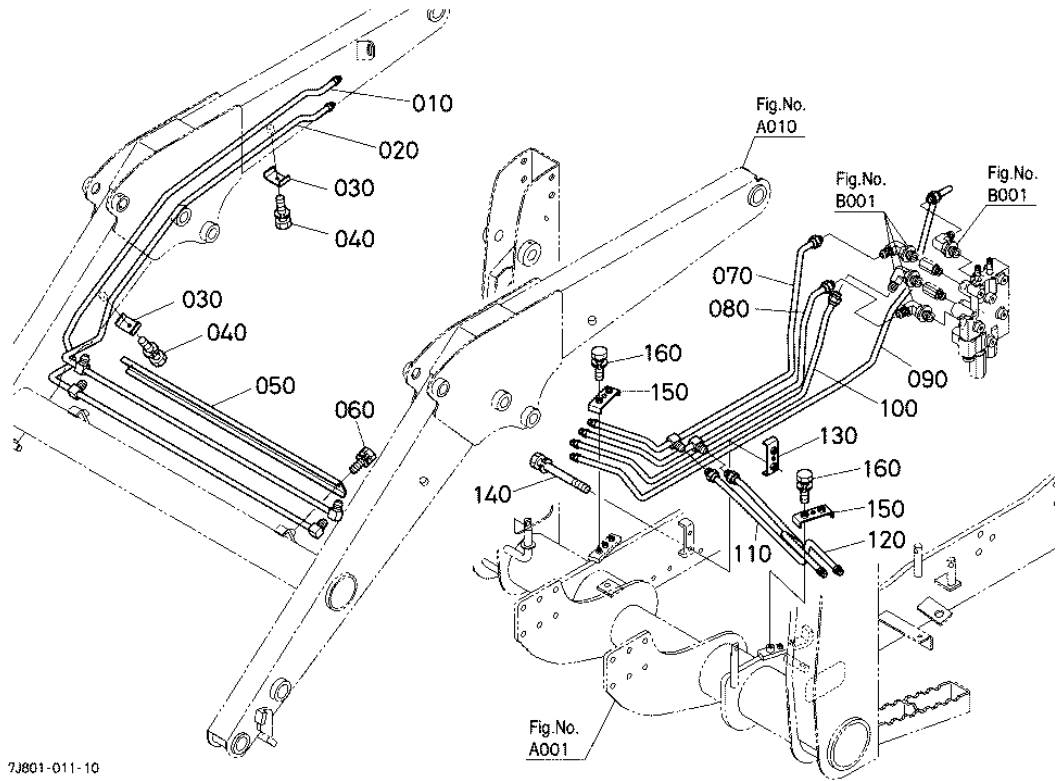
CYLINDER/HYDRAULIC HOSE

Ref	Part Number	Part Name	Qty	IC	S/N	Lbs	Remarks
010	7J800-66520	SLEEVE PSB17	1			0	
020	75590-64650	BAND CODE	2			0.022	
030	7J801-66110	HOSE 1 HYDRAULIC	1			0	
040	7J801-66120	HOSE 2 HYDRAULIC	1			0	
050	7J046-76920	SLEEVE RETURN	1			0	
060	75590-64650	BAND CODE	1			0.022	
070	7J801-66610	HOSE 8 HYDRAULIC	2			0	

CYLINDER/HYDRAULIC HOSE

Ref	Part Number	Part Name	Qty	IC	S/N	Lbs	Remarks
080	7J801-66620	HOSE 9 HYDRAULIC	2			0	
090	75583-66330	SLEEVE	2			0.132	
100	75590-64650	BAND CODE	2			0.022	
110	75581-66630	HOSE 10 HYDRAULIC	4			0.572	
120	7J801-63010	CYLINDER 1	2			0	
130	K6072-63660	ADAPTER	4			0.094	
140	75590-64650	BAND CODE	2			0.022	
150	7J801-64010	CYLINDER 2	2			0	
160	75540-64910	ELBOW	4			0.242	

HYDRAULIC TUBE



7J801-011-10

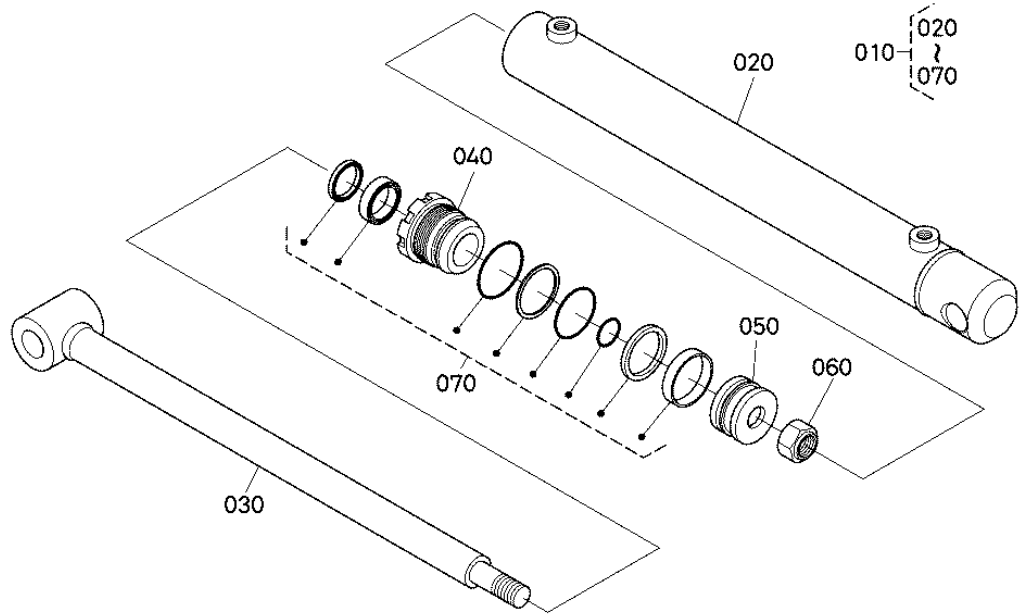
HYDRAULIC TUBE

Ref	Part Number	Part Name	Qty	IC	S/N	Lbs	Remarks
010	7J801-65310	TUBE 3 HYDRAULIC	1			0	
020	7J801-65410	TUBE 4 HYDRAULIC	1			0	
030	7J275-65550	CLAMP	2			0	
040	01123-60816	BOLT	2			0.022	
050	7J801-65510	COVER CLAMP	1			0	
060	01125-60820	BOLT	2			0.033	
070	7J801-68710	TUBE 5 HYDRAULIC	1			0	

HYDRAULIC TUBE

Ref	Part Number	Part Name	Qty	IC	S/N	Lbs	Remarks
080	7J801-68720	TUBE 6 HYDRAULIC	1			0	
090	7J801-68730	TUBE 7 HYDRAULIC	1			0	
100	7J801-68740	TUBE 8 HYDRAULIC	1			0	
110	7J801-68750	TUBE 9 HYDRAULIC	1			0	
120	7J801-68760	TUBE 10 HYDRAULIC	1			0	
130	7J801-68810	CLAMP 1	1			0	
140	01123-50870	BOLT	2			0.063	
150	75540-65530	CLAMP	2			0.352	
160	01123-50825	BOLT	4			0.028	

CYLINDER (BOOM)[COMPONENT PARTS]

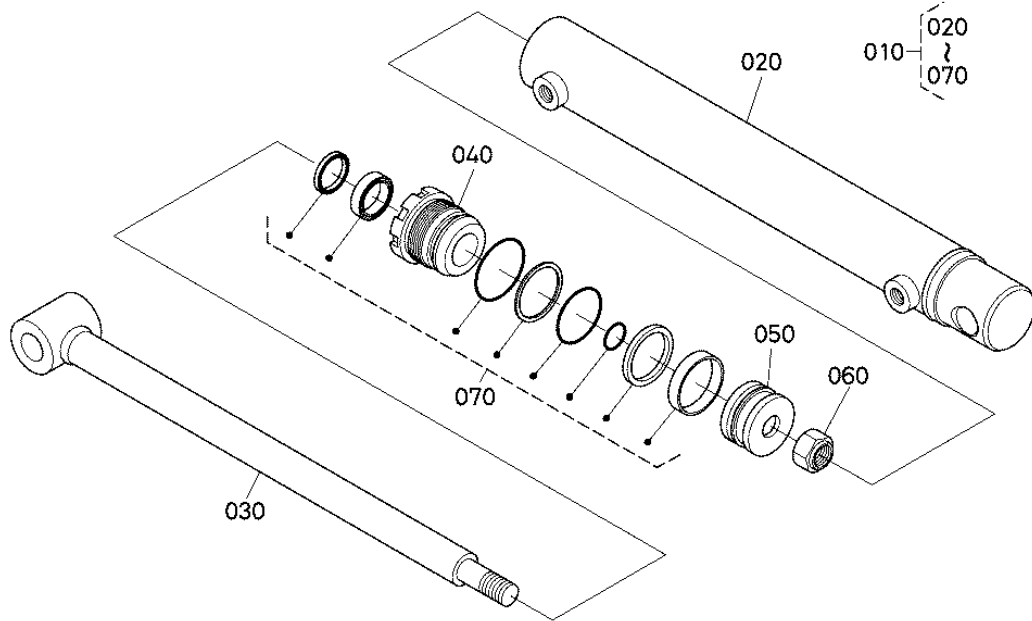


7J801-012-10

CYLINDER (BOOM)[COMPONENT PARTS]

Ref	Part Number	Part Name	Qty	IC	S/N	Lbs	Remarks
010	7J801-63010	CYLINDER 1	2			0	
020	7J801-63100	TUBE COMP.	2			0	
030	7J801-63200	ROD COMP.	2			0	
040	7J801-63310	HEAD	2			0	
050	7J801-63350	PISTON	2			0	
060	7J801-63360	NUT	2			0	
070	7J801-63400	SEAL KIT 1	2			0	

CYLINDER(BUCKET)[COMPONENT PARTS]

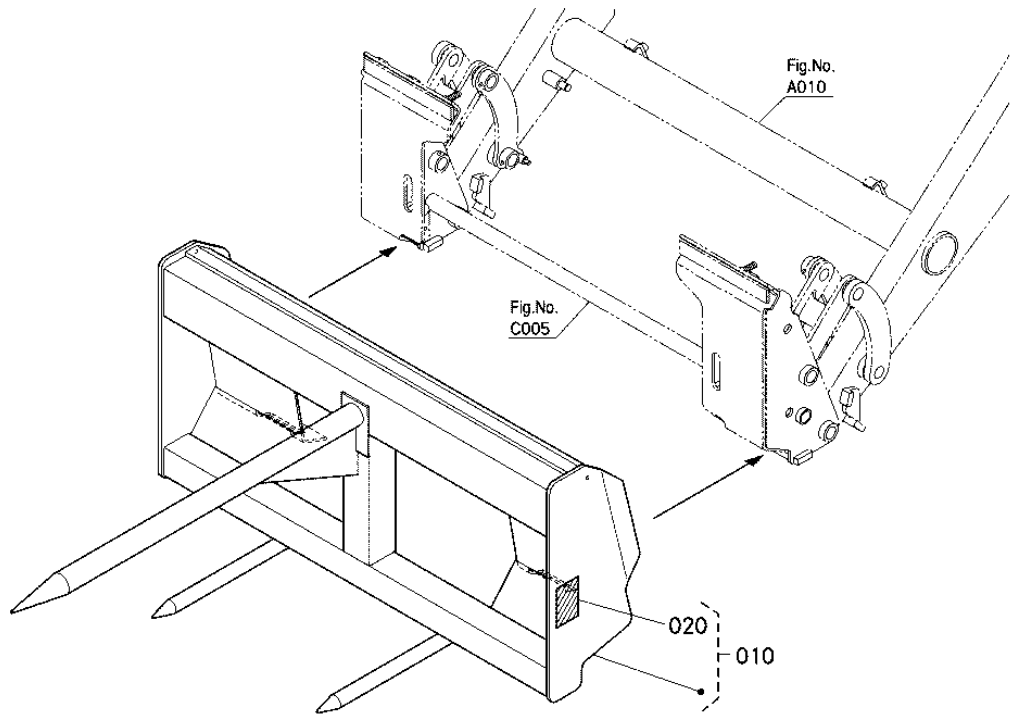


7J801-013-10

CYLINDER(BUCKET)[COMPONENT PARTS]

Ref	Part Number	Part Name	Qty	IC	S/N	Lbs	Remarks
010	7J801-64010	CYLINDER 2	2			0	
020	7J801-64100	TUBE COMP.	2			0	
030	7J801-64200	ROD COMP.	2			0	
040	7J801-64310	HEAD	2			0	
050	7J801-64350	PISTON	2			0	
060	7J801-64460	NUT	2			0	
070	7J801-64400	SEAL KIT 2	2			0	

BALE SPEAR ## [L2237]

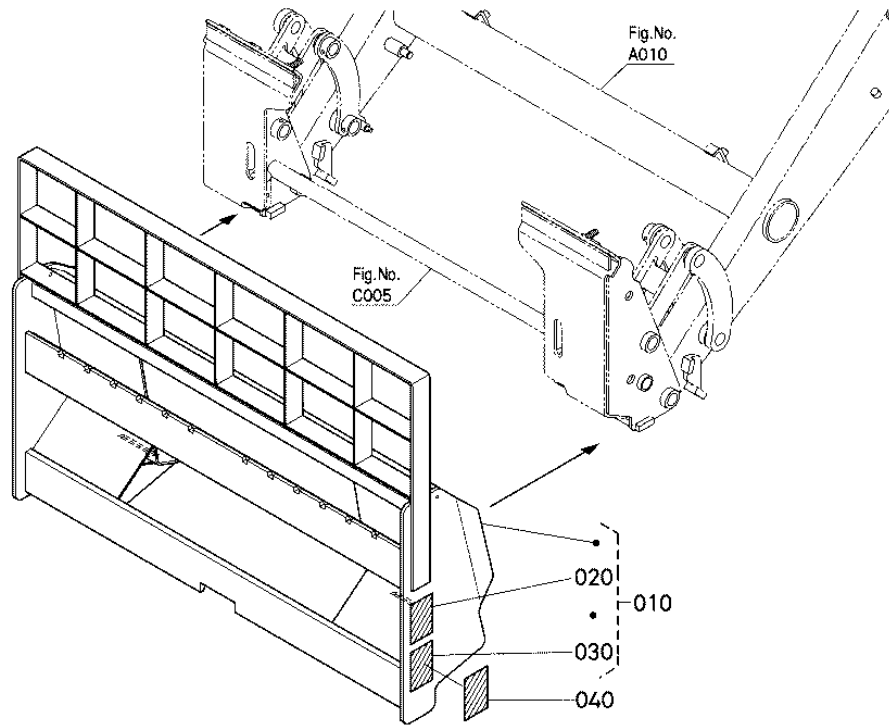


7J801-015-10

BALE SPEAR

Ref	Part Number	Part Name	Qty	IC	S/N	Lbs	Remarks
010	7J266-37014	SPEAR BALE	1			0	
020	7J246-56430	LABEL DANGER	2			0.004	

PALLET FORK ## [L2238]

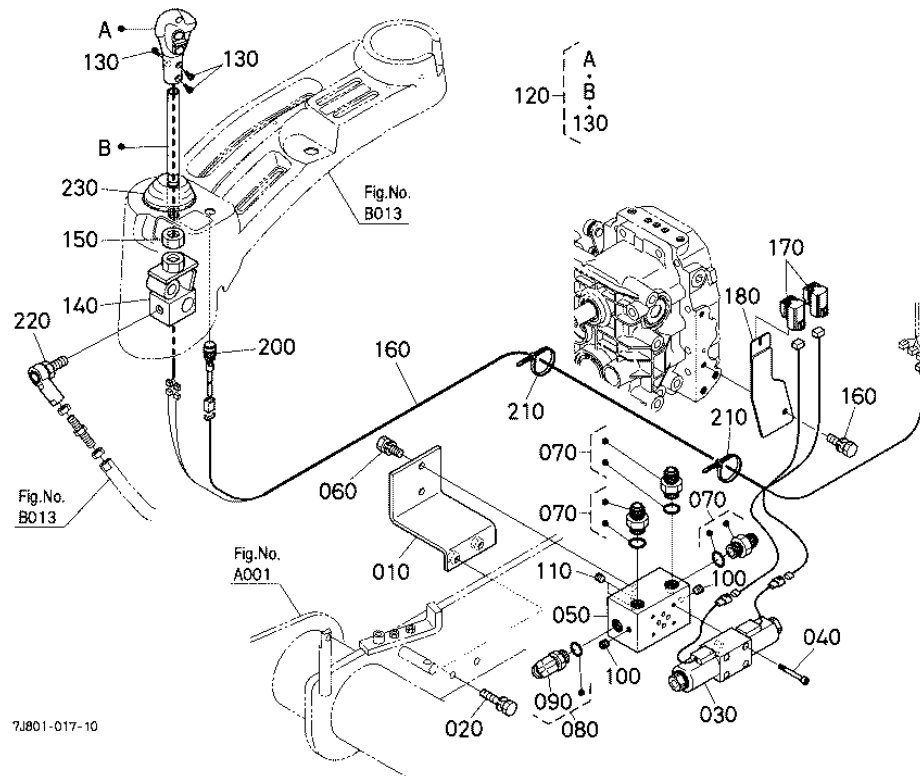


7J801-016-10

PALLET FORK

Ref	Part Number	Part Name	Qty	IC	S/N	Lbs	Remarks
010	7J266-39015	FRAME PALLET FORK	1			0	
020	7J246-56430	LABEL DANGER	2			0.004	
030	7J266-39232	LABEL DANGER(P.F.)	3			0.015	ENGLISH
040	7J266-99232	LABEL DANGER(P.F.)	1			0.017	FRENCH

3RD FUNCTION KIT [1] ## [TL2141]



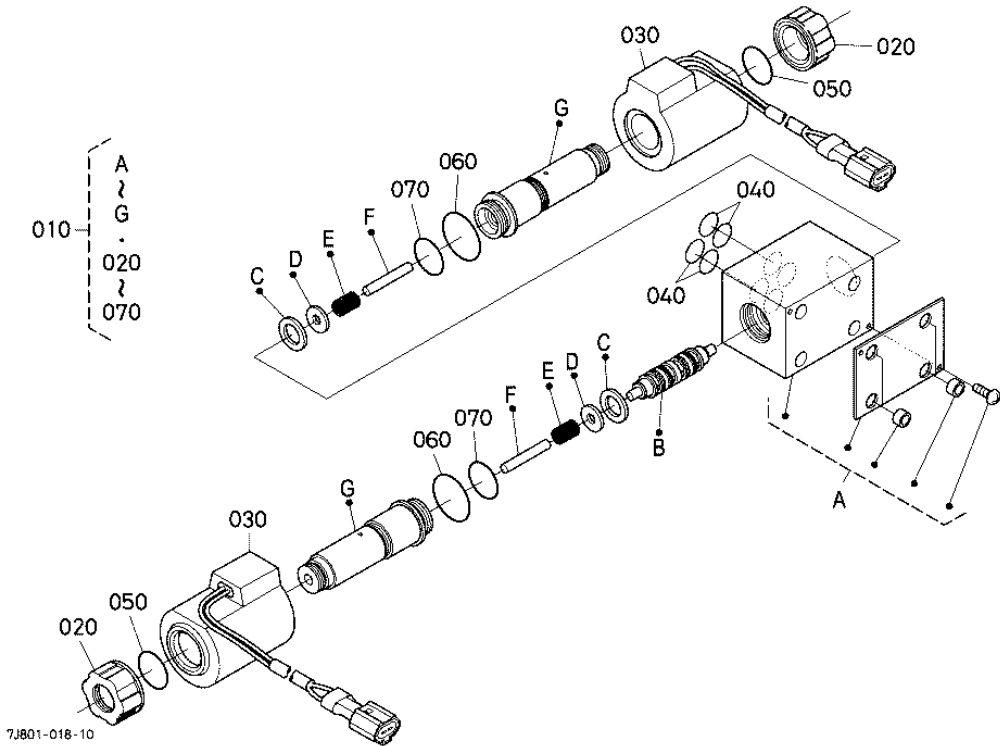
3RD FUNCTION KIT [1]

Ref	Part Number	Part Name	Qty	IC	S/N	Lbs	Remarks
010	7J801-84470	STAY BLOCK	1			0	
020	01133-51035	BOLT	2			0.066	
030	7J800-71112	VALVE SOLENOID	1			4.158	
040	01350-10545	BOLT HEX-SOC-HD	4			0.017	
050	7J800-71122	VALVE BLOCK	1			6.38	
060	01133-51025	BOLT	2			0.050	
070	7J801-84700	ADAPTER ASSY.1	3			0	

3RD FUNCTION KIT [1]

Ref	Part Number	Part Name	Qty	IC	S/N	Lbs	Remarks
080	7J801-84800	ELBOW ASSY.ADJUSTABL	1			0	
090	7J801-84810	ADAPTER	1			0	
100	31351-37160	PLUG	2			0.006	
110	38010-67020	PLUG	2			0.015	
120	7J800-71012	ASSY LEVER CONTROL	1			0.748	
130	3P300-29630	SCREW CR-REC-BD-HD	3			0.006	
140	7J801-84050	BOSS LEVER	1			0	
150	02176-50140	NUT	1			0.030	
160	7J801-84110	WIRE HARNESS	1			0	
170	T1060-33720	RELAY STARTER	2			0.044	
180	7J801-84130	STAY RELAY	1			0	
200	7J417-84152	SWITCH(3RD VALVE)	1			0.099	
210	75590-64650	BAND CODE	4		<=A0012	0.022	
210	75590-64650	BAND CODE	3		>=A0013	0.022	
220	7J801-62260	JOINT ROD END	1			0	
230	68701-65180	RUBBER BELLOWS	1			0.154	

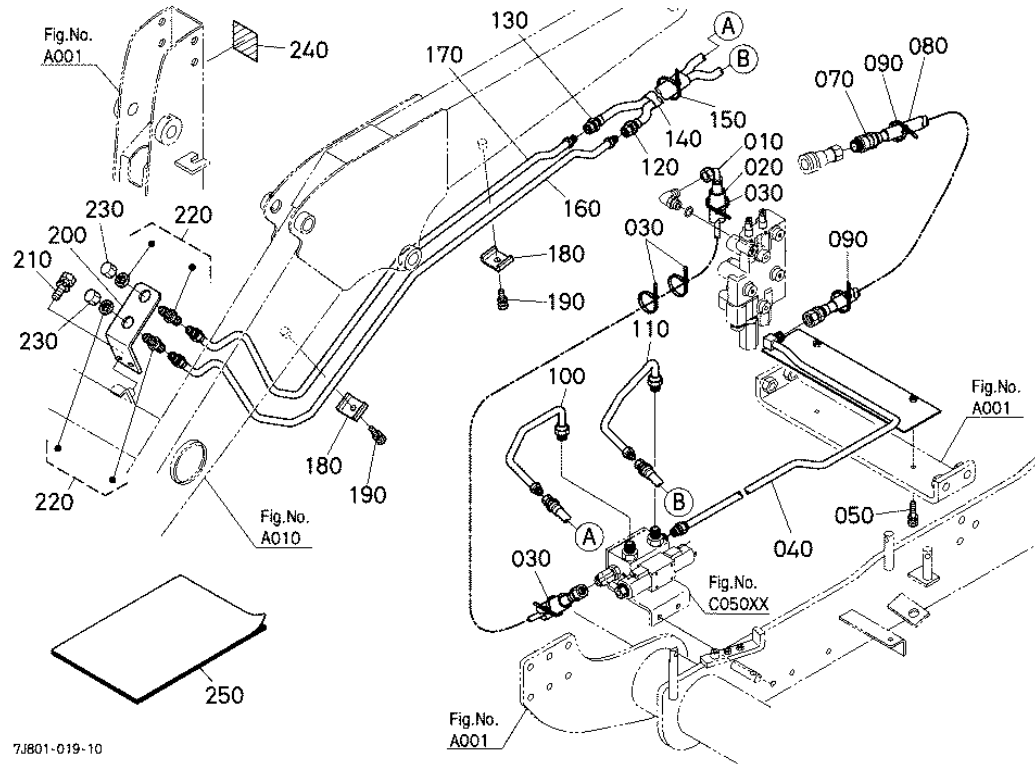
3RD FUNCTION KIT [2] ## [TL2141]



3RD FUNCTION KIT [2]

Ref	Part Number	Part Name	Qty	IC	S/N	Lbs	Remarks
010	7J800-71112	VALVE SOLENOID	1			4.158	
020	7J800-78130	NUT COIL	2			0	
030	7J800-78140	COIL SOLENOID	2			0	
040	7J800-78170	O RING	4			0	
050	7J800-78180	O RING	2			0	
060	7J800-78190	O RING	2			0	
070	7J800-78160	O RING	2			0	

3RD FUNCTION KIT [3] ## [TL2141]



7J801-019-10

3RD FUNCTION KIT [3]

Ref	Part Number	Part Name	Qty	IC	S/N	Lbs	Remarks
010	7J800-66120	HOSE 2 HYDRAULIC	1			0	
020	7J046-76920	SLEEVE RETURN	1			0	
030	75590-64650	BAND CODE	4			0.022	
040	7J801-84610	TUBE T	1			0	
050	01123-50830	BOLT	2			0.033	
070	7J801-84820	HOSE T	1			0	
080	75567-76320	SLEEVE P.B.	1			0.107	

3RD FUNCTION KIT [3]

Ref	Part Number	Part Name	Qty	IC	S/N	Lbs	Remarks
090	75590-64650	BAND CODE	2			0.022	
100	7J801-84230	TUBE A HYDRAULIC	1			0	
110	7J801-84240	TUBE B HYDRAULIC	1			0	
120	7J801-66110	HOSE 1 HYDRAULIC	1			0	
130	7J801-66120	HOSE 2 HYDRAULIC	1			0	
140	7J046-76920	SLEEVE RETURN	1			0	
150	75590-64650	BAND CODE	1			0.022	
160	7J801-84350	TUBE 2 3RD.FUNCTION	1			0	
170	7J801-84340	TUBE 1 3RD.FUNCTION	1			0	
180	7J275-65550	CLAMP	2			0	
190	01123-60816	BOLT	2			0.022	
200	7J801-84432	STAY COUPLER	1			0	
210	01123-50820	BOLT	2			0.024	
220	7J417-71170	ASSY ADAPTER	2			0	
230	7J800-64800	CAP	2			0	
240	7J417-84160	LABEL SWITCH	1			0	
250	7J801-84420	MANUAL INSTRUCTION	1			0	