

Instructions for Parts Books

The heading at the top of the page will be the same for the picture of the parts as it is for the page with the part numbers.

Definition of column headings on part number pages:

REF.No → The number referring to the part on the picture page of the parts book.

Part No. → The number assigned to this part at the time of printing the parts book.

Description → Description of part.

Q'ty → Quantity of part used on that page.

S.No. → Serial number range of the equipment that this part will fit.

>= Your serial number should be greater than or equal to the number shown.

<= Your serial number should be lesser than or equal to the serial number shown.

I/C → Interchangeability of part shown.

↔ The part shown will work for the older and later serial number.

The part shown is not interchangeable with the other serial number.

← new for old

→ old for new

Remarks → Notes about this particular part. Sometimes this may say except [FR] or [CA]

Note about Country Codes:

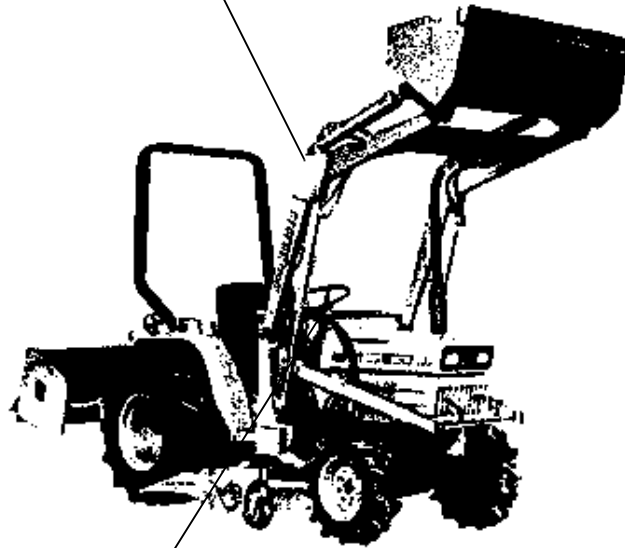
The parts books we use in the United States of America may also contain information about a part that would be different in another country. It is important that you are aware of the country codes in some instances.

Symbol	Country
A	United States of America
CA	Canada
FR	France
GR	Greece
PO	Portugal
AU	Australia

If the remarks column says for example EXCEPT [FR] this part works in all countries except France. That means it will work here in the USA.

ALL PRODUCT INDEX
BF300-A

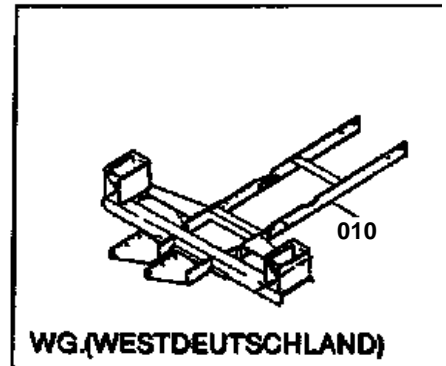
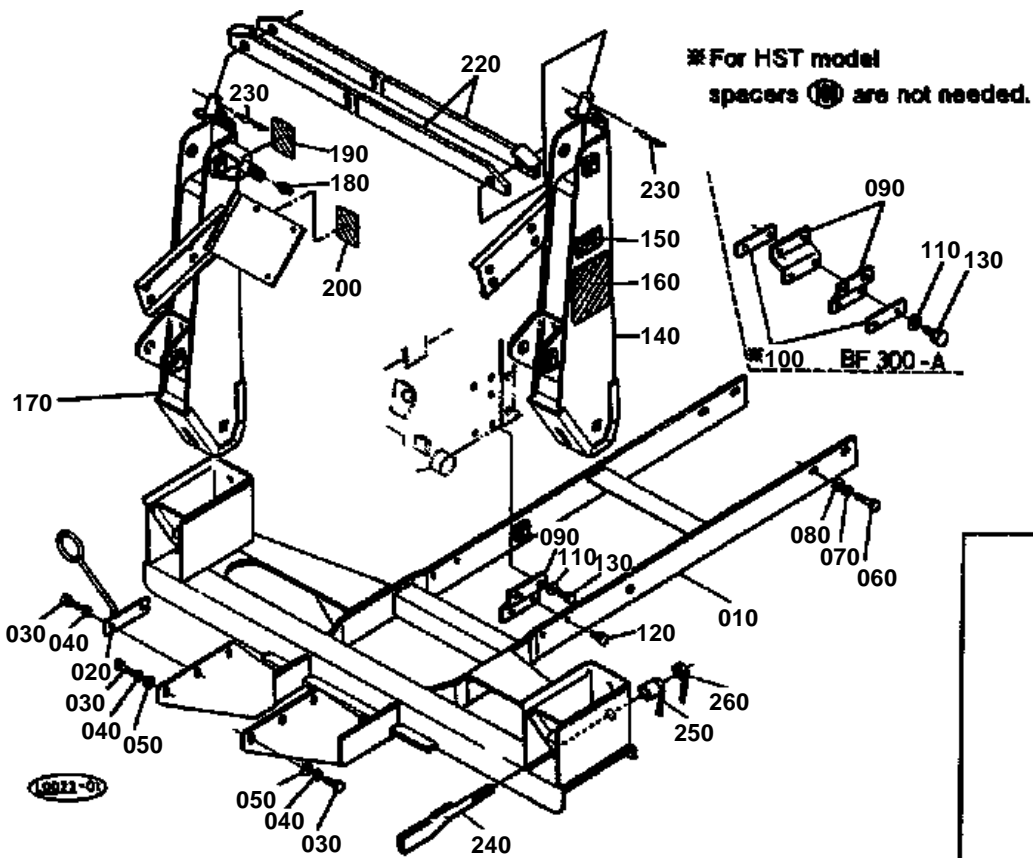
FRAME/BOOM



HYDRAULIC SYSTEM

ACCESSORIES

Item	Part No.	Description	Book
FRAME/BOOM	01I0101	MAIN FRAME/SIDE FRAME	100K0056
	01I02	BOOM	100K0056
HYDRAULIC SYSTEM	01I03	HYDRAULIC PIPE/CONTROL VALVE	100K0056
	01I04	CONTROL VALVE [COMPONENT PARTS]	100K0056
	01I05	BOOM CYLINDER [COMPONENT PARTS]	100K0056
	01I06	BUCKET CYLINDER [COMPONENT PARTS]	100K0056
	01I0702	HYDRAULIC PIPE	100K0056
	01I09	CONVERSION KIT FROM BF300-A TO BF300 (OPTION)	100K0056
	01I10	CONVERSION KIT FOR B8200E (OPTION)	100K0056
ACCESSORIES	01I13	ACCESSORIES AND SERVICE PARTS	100K0056



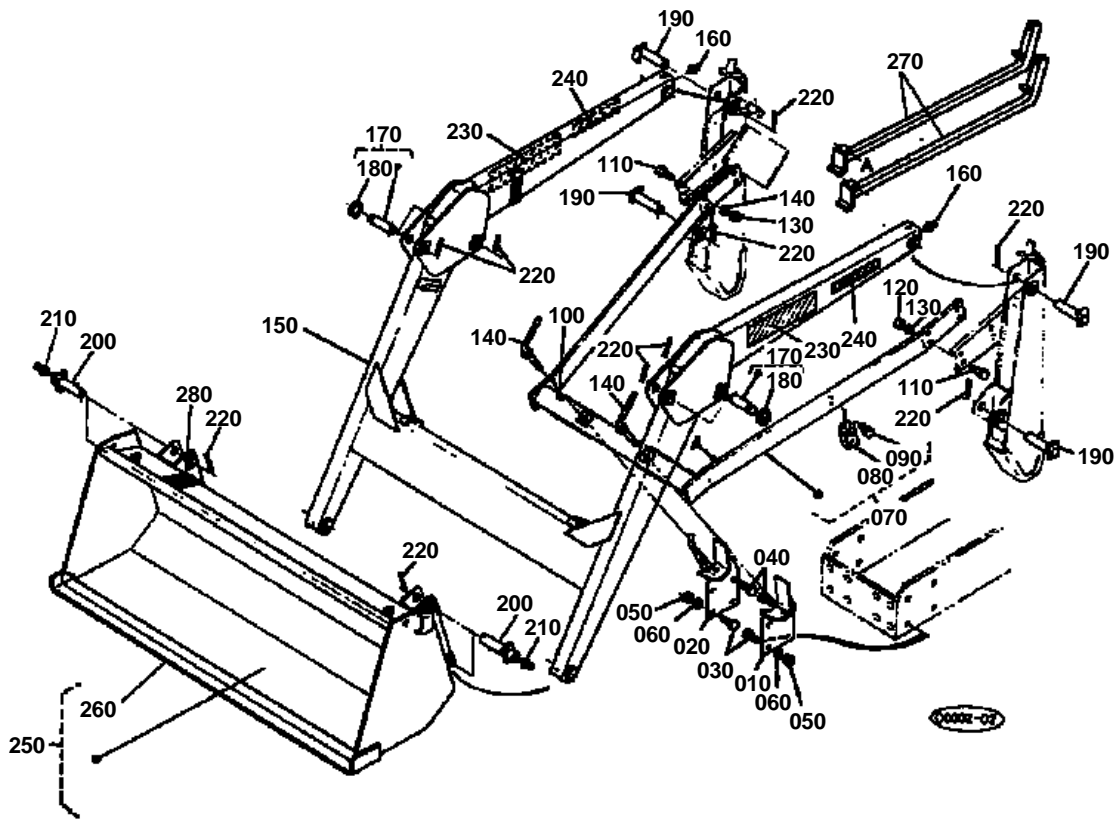


MAIN FRAME/SIDE FRAME
FOR HST MODEL SPACERS REF.No.100 ARE NOT NEEDED.

↔ Interchangeable; ≠ not interchangeable; ← new for old; → old for new

REF.No	Part No.	Description	Q'ty	S.No.	I/C	REMARKS	Weight (kgf)	Weight (lb)
010	70726-55110	FRAME	1	<=54074		ORANGE	0	0
010	70726-55710	FRAME	1	>=54075	≠	DEEP ORANGE	0	0
010	70727-25110	FRAME	1			[WG] ORANGE	50	110
010	70727-25710	FRAME	1		≠	[WG] DEEP ORANGE	0	0
030	01173-51230	BOLT	6				0.037	0.0814
040	04512-50120	WASHER,SPRING	6				0	0
050	04015-50120	WASHER,PLAIN	6				0	0
060	01173-51245	BOLT	4				0.049	0.1078
070	04512-50120	WASHER,SPRING	4				0	0
080	04015-50120	WASHER,PLAIN	4				0	0
090	70726-55410	CONNECTOR,HOUSING	2	<=54074		ORANGE	0.71	1.562
090	70727-55710	CONNECTOR,HOUSING	2	>=54075	≠	DEEP ORANGE	0.655	1.441
100	70727-55430	SPACER	2	<=54074		ORANGE	0.13	0.286
100	70763-70510	SPACER	2	>=54075	≠	DEEP ORANGE	0.2	0.44
110	04015-50100	WASHER,PLAIN	4				0.016	0.0352
130	01133-51035	BOLT	8				0.03	0.066
140	70726-56116	FRAME,SIDE LH	1	<=54074		ORANGE	0	0
140	70726-56710	FRAME,SIDE LH	1	>=54075	≠	DEEP ORANGE	14.2	31.24
150	99999-99999	LABEL,MODEL	1			NON SALE	0	0
160	70726-56140	LABEL,SAFETY	1				0.001	0.0022
160	70761-56210	LABEL,SAFETY	1			[CA] FRENCH	0.001	0.0022
160	70727-26140	LABEL,SAFETY	1			[WG]	0.005	0.011
170	70726-56137	FRAME,SIDE RH	1	<=54074		ORANGE	0	0
170	70726-56730	FRAME,SIDE RH	1	>=54075	≠	DEEP ORANGE	16	35.2
180	06613-10675	NIPPLE,GREASE	1				0.003	0.0066
190	70726-56160	LABEL,LEVER CONTROL	1				0.001	0.0022
190	70761-56230	LABEL,LEVER CONTROL	1			[CA] FRENCH	0.005	0.011
190	70727-26160	LABEL,LEVER CONTROL	1			[WG]	0.001	0.0022
200	70726-56270	LABEL,CAUTION	1				0.001	0.0022
200	70761-56240	LABEL,CAUTION	1			[CA] FRENCH	0.001	0.0022
200	70727-26270	LABEL,CAUTION	1			[WG]	0.002	0.0044
210	99999-99999	BLANK	0				0	0
220	70726-56170	CONNECTOR,MAST	2	<=54074		ORANGE	0	0
220	70763-70810	CONNECTOR,MAST	2	>=54075	≠	DEEP ORANGE	4.5	9.9
230	70515-16330	PIN,SPRING	2				0.028	0.0616
240	70761-56190	BOLT,WEDGE	2				0	0
250	70726-56210	NUT,LOCK	2	<=51858			0	0
250	70726-56212	NUT,LOCK	2	>=51859	←		0.12	0.264
260	70726-56230	NUT,LOCK	2	<=51858			0	0
260	70726-56232	NUT,LOCK	2	>=51859	←		0.05	0.11

BOOM



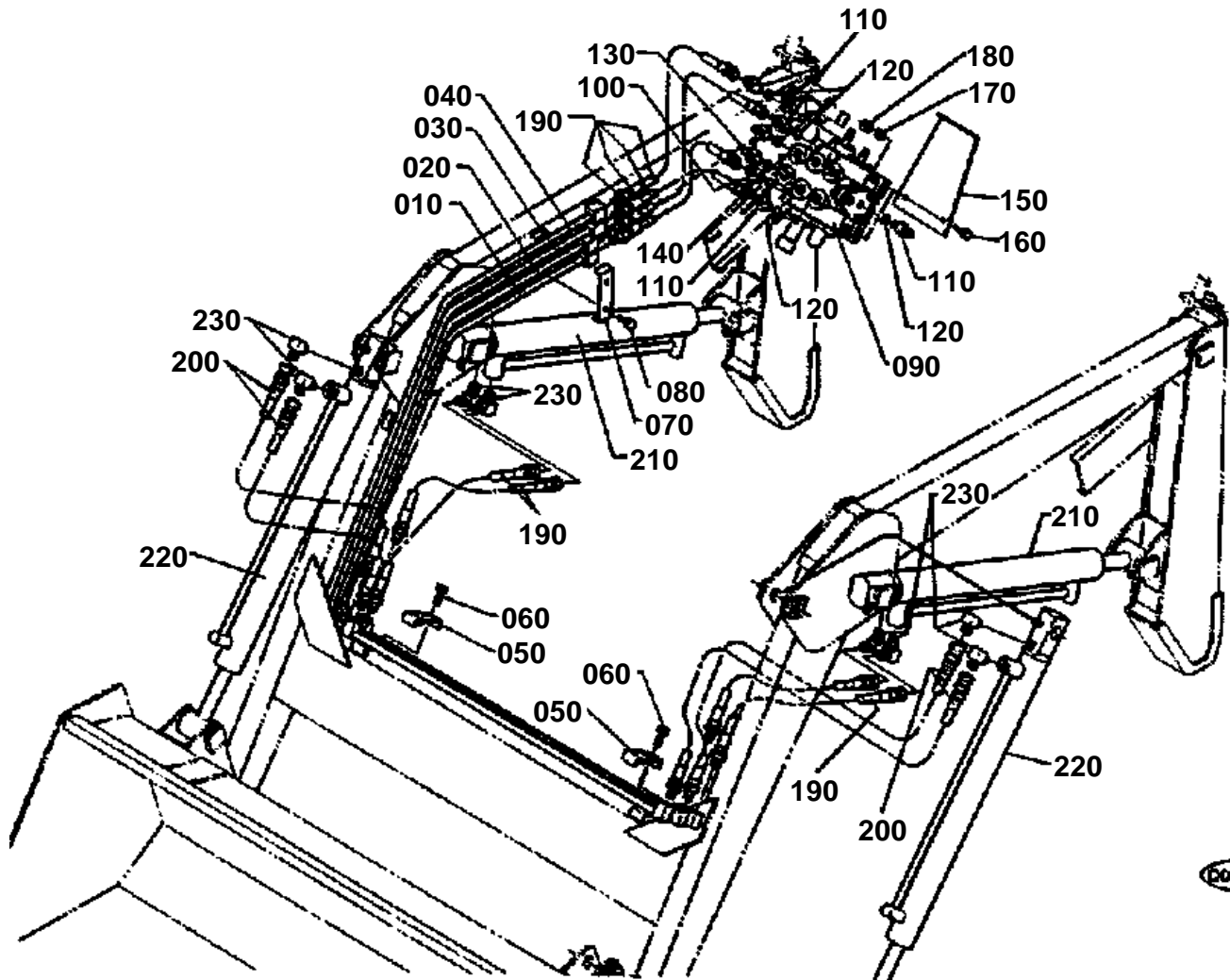
170 70726-5841-0



**BOOM**

↔ Interchangeable; ≠ not interchangeable; ← new for old; → old for new

REF.No	Part No.	Description	Q'ty	S.No.	I/C	REMARKS	Weight (kgf)	Weight (lb)
010	70726-57110	SUPPORT,BRACE LH	1	<=51858			0	0
010	70726-57112	SUPPORT,BRACE LH	1	>=51859	←	ORANGE	0	0
010	70763-70910	SUPPORT,BRACE LH	1	>=54075	≠	DEEP ORANGE	1.6	3.52
020	70726-57130	SUPPORT,BRACE RH	1	<=51858			0	0
020	70726-57134	SUPPORT,BRACE RH	1	>=51859	←	ORANGE	0	0
020	70763-71010	SUPPORT,BRACE RH	1	>=54075	≠	DEEP ORANGE	1.75	3.85
030	01173-51235	BOLT	6				0.04	0.088
040	01173-51245	BOLT	2				0.049	0.1078
050	02174-50120	NUT	8				0.01	0.022
060	04512-50120	WASHER,SPRING	8				0	0
070	70726-57140	BRACE	1	<=51858			20	44
070	70726-57144	BRACE	1	>=51859	↔	ORANGE	20	44
070	70763-71110	BRACE	1	>=54075	≠	DEEP ORANGE	35	77
080	70726-57190	SPRING,PALTE	1	<=54074		ORANGE	0.08	0.176
080	70763-71150	SPRING,PALTE	1	>=54075	≠	DEEP ORANGE	0.09	0.198
090	01123-50816	BOLT	2				0.011	0.0242
100	70726-57160	MARK	1				0.002	0.0044
110	01173-51435	BOLT	8				0.056	0.1232
120	02174-50140	NUT	8				0.014	0.0308
130	04512-50140	WASHER,SPRING	8				0	0
140	70760-57170	BOLT	2				0.285	0.627
150	70726-58116	BOOM	1	<=51858			0	0
150	70726-58117	BOOM	1	>=51859		ORANGE	0	0
150	70763-71210	BOOM	1	>=54075		DEEP ORANGE	109.5	240.9
160	06613-10675	NIPPLE,GREASE	2				0.003	0.0066
170	70726-58410	PIN	4	<=53670			0.415	0.913
170	70726-58450	PIN	4	>=53671	↔		0.4	0.88
180	04612-00250	CIR-CLIP,EXTERNAL	4	>=53671			0.002	0.0044
190	70726-58420	PIN	4				0.49	1.078
200	70726-58440	PIN	4				0.45	0.99
210	06613-10675	NIPPLE,GREASE	4				0.003	0.0066
220	05511-50540	PIN,SPLIT	12				0.009	0.0198
230	70571-56220	LABEL,KUBOTA	2				0.005	0.011
240	70727-56290	LABEL,MODEL	2				0.005	0.011
250	70726-59110	BUCKET	1	<=54074		ORANGE	54	118.8
250	70726-59710	BUCKET	1	>=54075	≠	DEEP ORANGE	0	0
260	70726-03030	EDGE,BUCKET	1				11.5	25.3
270	70726-64110	STAND	2	<=54074		ORANGE	0	0
270	70763-73310	STAND	2	>=54075	≠	DEEP ORANGE	1.9	4.18



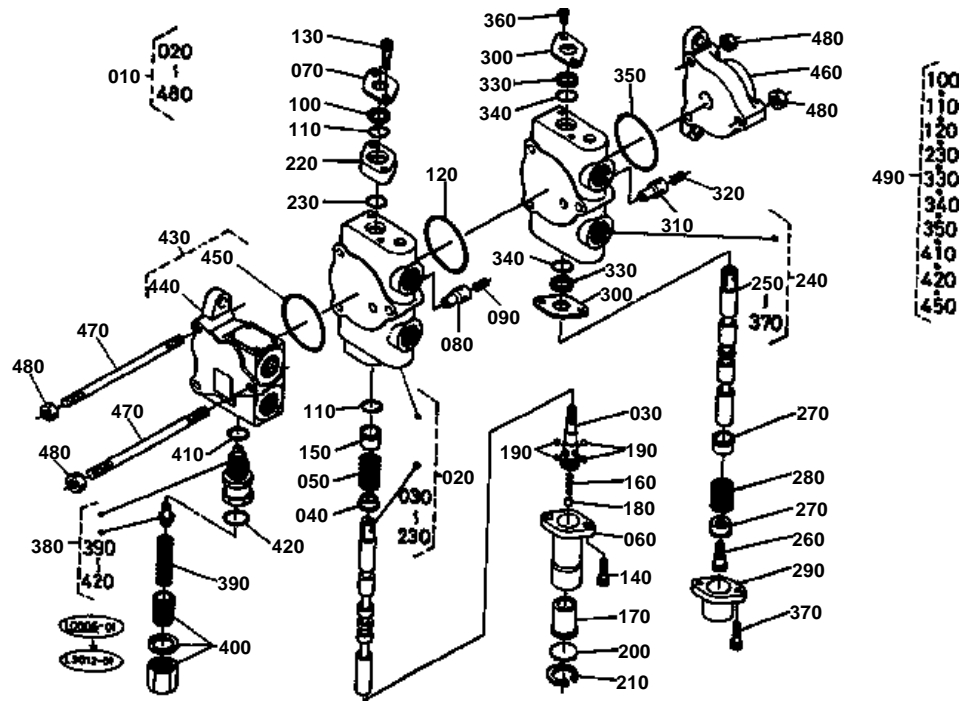


HYDRAULIC PIPE/CONTROL VALVE

↔ Interchangeable; ≠ not interchangeable; ← new for old; → old for new

REF.No	Part No.	Description	Q'ty	S.No.	I/C	REMARKS	Weight (kgf)	Weight (lb)
010	70726-60110	PIPE,HYDRAULIC	1	<=54074		ORANGE	0	0
010	70763-71410	PIPE,HYDRAULIC	1	>=54075	≠	DEEP ORANGE	0.75	1.65
020	70726-60130	PIPE,HYDRAULIC	1	<=54074		ORANGE	0	0
020	70763-71510	PIPE,HYDRAULIC	1	>=54075	≠	DEEP ORANGE	0.74	1.628
030	70726-60150	PIPE,HYDRAULIC	1	<=54074		ORANGE	0.75	1.65
030	70763-71610	PIPE,HYDRAULIC	1	>=54075	≠	DEEP ORANGE	0	0
040	70726-60170	PIPE,HYDRAULIC	1	<=54074		ORANGE	0	0
040	70763-71710	PIPE,HYDRAULIC	1	>=54075	≠	DEEP ORANGE	0.8	1.76
050	70726-60190	CLAMP	2	<=54074		ORANGE	0	0
050	70760-60190	CLAMP	2	>=54075	≠	DEEP ORANGE	0.09	0.198
060	01123-50825	BOLT	4				0.013	0.0286
070	70761-60210	CLAMP	1	<=54074		ORANGE	0	0
070	70760-60210	CLAMP	1	>=54075	≠	DEEP ORANGE	0.14	0.308
080	01123-50818	BOLT	2				0.012	0.0264
090	70726-61114	ASSY VALVE, CONTROL	1			REFER TO L.No.0B06-R0 FOR COMPONENTS.	6.5	14.3
100	70726-61120	VALVE,THROTTLE	1				0.05	0.11
110	70726-61130	ADAPTER	5				0.055	0.121
120	04811-00140	RING	6				0.001	0.0022
130	70726-61150	ADAPTER	1				0.08	0.176
140	04811-00180	RING	1				0.001	0.0022
150	70726-61230	PLATE,GUIDE	1	<=54074		ORANGE	0.74	1.628
150	70763-72000	PLATE,GUIDE	1	>=54075	≠	DEEP ORANGE	0.735	1.617
160	01173-51035	BOLT	3				0.025	0.055
170	04512-50100	WASHER,SPRING	3				0	0
180	02118-50100	NUT	3				0.005	0.011
190	70726-62110	HOSE,HYDRAULIC	8				0.28	0.616
200	70726-62130	HOSE,HYDRAULIC	4				0.25	0.55
210	70726-63110	CYLINDER	2	<=54074		REFER TO L.No.0B08-L0 FOR COMPONENTS. OR	0	0
210	70763-73110	CYLINDER	2	>=54075	≠	REFER TO L.No.0B08-L0 FOR COMPONENTS. DE	10.1	22.22
220	70726-63135	CYLINDER	2	<=54074		REFER TO L.No.0B09-L0 FOR COMPONENTS. OR	0	0
220	70760-62550	CYLINDER	2	>=54075	≠	REFER TO L.No.0B09-L0 FOR COMPONENTS. DE	8.18	17.996
230	70726-63150	ELBOW	8				0.085	0.187

CONTROL VALVE [COMPONENT PARTS]

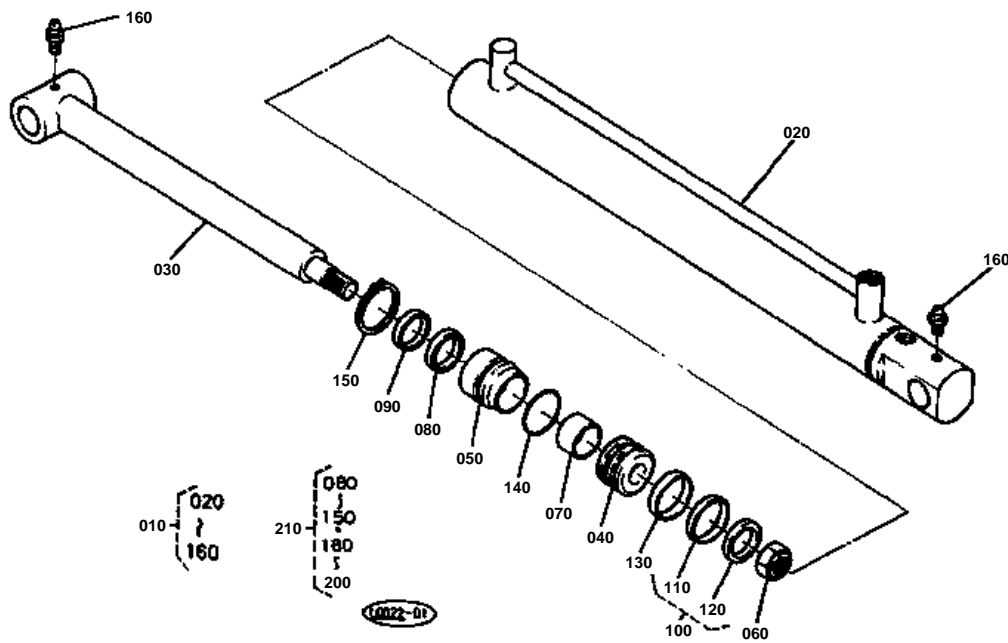


**CONTROL VALVE [COMPONENT PARTS]**

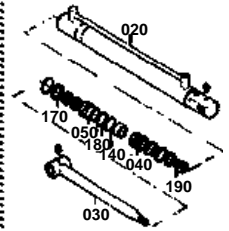
↔ Interchangeable; ≠ not interchangeable; ← new for old; → old for new

REF.No	Part No.	Description	Q'ty	S.No.	I/C	REMARKS	Weight (kgf)	Weight (lb)
010	70726-61114	ASSY VALVE,CONTROL	1				6.5	14.3
020	70726-67000	ASSY SECTION,PLUNGER	1				2.15	4.73
030	70726-67020	PIN	1				0.035	0.077
040	70726-67030	SEAT,SPRING	2				0.004	0.0088
050	70726-67040	SPRING	1				0.013	0.0286
060	70726-67050	CAP	1				0.06	0.132
070	70726-67060	PLATE,SEAL	1				0.011	0.0242
080	70726-67070	VALVE,CHECK	1				0.002	0.0044
090	70726-67080	SPRING	1				0.001	0.0022
100	70726-67090	WIPER	1				0.002	0.0044
110	70726-67100	O RING	2				0.001	0.0022
120	70726-67110	O RING	1				0.003	0.0066
130	70726-67120	BOLT,SOCKET HEAD	2				0.005	0.011
140	70726-67130	BOLT,SOCKET HEAD	2				0.058	0.1276
150	70726-67140	SPACER	1				0.07	0.154
160	70726-67150	SPRING	1				0.001	0.0022
170	70726-67160	SLEEVE	1				0.05	0.11
180	70726-67170	BALL,STAINLESS	1				0.002	0.0044
190	70726-67180	BALL,STAINLESS	4				0.001	0.0022
200	70726-67190	SPACER	1				0.006	0.0132
210	70726-67200	RING,SNAP	1				0.004	0.0088
220	70726-67210	SPACER	1				0.04	0.088
230	70726-67220	O RING	2				0.002	0.0044
240	70726-67300	ASSY SECTION,PLUNGER	1				2	4.4
250	70726-67320	HEAD,PLUNGER	1				0.009	0.0198
260	70726-67330	SCREW,CAP	1				0.009	0.0198
270	70726-67030	SEAT,SPRING	2				0.004	0.0088
280	70726-67340	SPRING	1				0.015	0.033
290	70726-67350	CAP	1				0.05	0.11
300	70726-67060	PLATE,SEAL	2				0.011	0.0242
310	70726-67070	VALVE,CHECK	1				0.002	0.0044
320	70726-67080	SPRING	1				0.001	0.0022
330	70726-67090	WIPER	2				0.002	0.0044
340	70726-67100	O RING	2				0.001	0.0022
350	70726-67110	O RING	1				0.003	0.0066
360	70726-67360	SCREW	2				0.001	0.0022
370	70726-67370	BOLT,SOCKET HEAD	2				0.002	0.0044
380	70726-67400	ASSY VALVE,RELIEF	1				0.135	0.297
390	70726-67410	SPRING	1				0.02	0.044
400	70726-67420	KIT ADJUSTER	1				0.05	0.11
410	70726-67430	O RING	1				0.002	0.0044
420	70726-67440	O RING	1				0.001	0.0022
430	70726-67500	ASSY SECTION,INLET	1				1.13	2.486
440	70726-67510	HOUSING,INLET	1				1.15	2.53
450	70726-67110	O RING	1				0.003	0.0066
460	70726-67600	SECTION,OUTLET	1				0.66	1.452
470	70726-67710	BOLT,STUD	3				0.06	0.132
480	70726-67720	NUT	6				0.004	0.0088
490	70726-68030	KIT SEAL,VALVE	1				0.01	0.022

BOOM CYLINDER [COMPONENT PARTS]



- 020 70726-6511-2
- 030 70726-6512-0
- 040 70726-6513-0
- 050 70726-6514-2
- 140 04811-00400
- 170 70726-6523-0
- 180 70726-6521-0
- 190 04810-00200

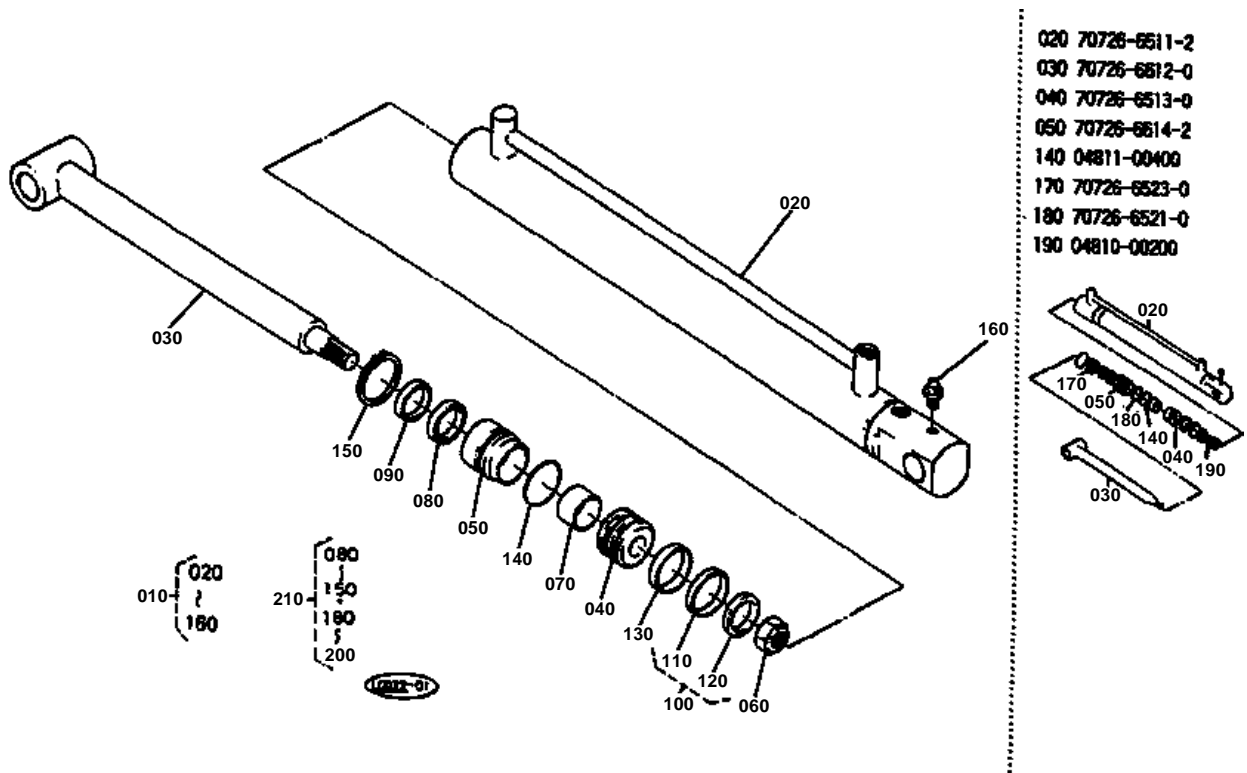


**BOOM CYLINDER [COMPONENT PARTS]**

↔ Interchangeable; ≠ not interchangeable; ← new for old; → old for new

REF.No	Part No.	Description	Q'ty	S.No.	I/C	REMARKS	Weight (kgf)	Weight (lb)
010	70726-63110	CYLINDER	2	<=54074		ORANGE	0	0
010	70763-73110	CYLINDER	2	>=54075	≠	DEEP ORANGE	10.1	22.22
020	70726-65112	COMP.TUBE,CYLINDER	2	<=13439			6	13.2
020	70726-75010	COMP.TUBE,CYLINDER	2	>=13440		ORANGE	0	0
020	70763-73120	COMP.TUBE,CYLINDER	2	>=54075	≠	DEEP ORANGE	5	11
030	70726-65120	COMP.ROD,CYLINDER	2	<=13439			3.9	8.58
030	70726-75020	COMP.ROD,CYLINDER	2	>=13440	≠	ORANGE	3.6	7.92
030	70763-73130	COMP.ROD,CYLINDER	2	>=54075	≠	DEEP ORANGE	4	8.8
040	70726-65130	PISTON	2	<=13439			0.235	0.517
040	70726-75030	PISTON	2	>=13440	≠		0.25	0.55
050	70726-65142	END	2	<=13439			0.29	0.638
050	70726-75040	END	2	>=13440	≠		0.19	0.418
060	70726-65150	U-NUT	2				0.05	0.11
060	70726-65260	NUT,CENTER LOCK	2		↔		0.04	0.088
070	70726-65160	BUSH	2				0.035	0.077
080	70726-65170	GASKET	2				0.005	0.011
090	70726-65180	SEAL,DUST	2				0.004	0.0088
100	70726-65190	GASKET,PISTON	2				0.005	0.011
110	70726-65242	SEALING	2				0.005	0.011
120	70726-65250	SQUARE RING	2				0.005	0.011
130	70726-65200	WEARING	2				0.005	0.011
140	04811-00400	RING	2	<=13439			0.002	0.0044
140	04810-50400	RING	2	>=13440	≠		0.001	0.0022
150	70726-65220	CIR-CLIP	2				0.005	0.011
160	06613-10010	NIPPLE,GREASE	4				0.006	0.0132
180	70726-65210	RING,BACK UP	2	<=13439			0.003	0.0066
190	04810-00200	RING	2	<=13439			0.001	0.0022
200	70726-68210	MANUAL	2			NOT SHOWN IN FIG.	0.008	0.0176
210	70726-68010	KIT SEAL,CYLINDER	2				0.04	0.088

BUCKET CYLINDER [COMPONENT PARTS]



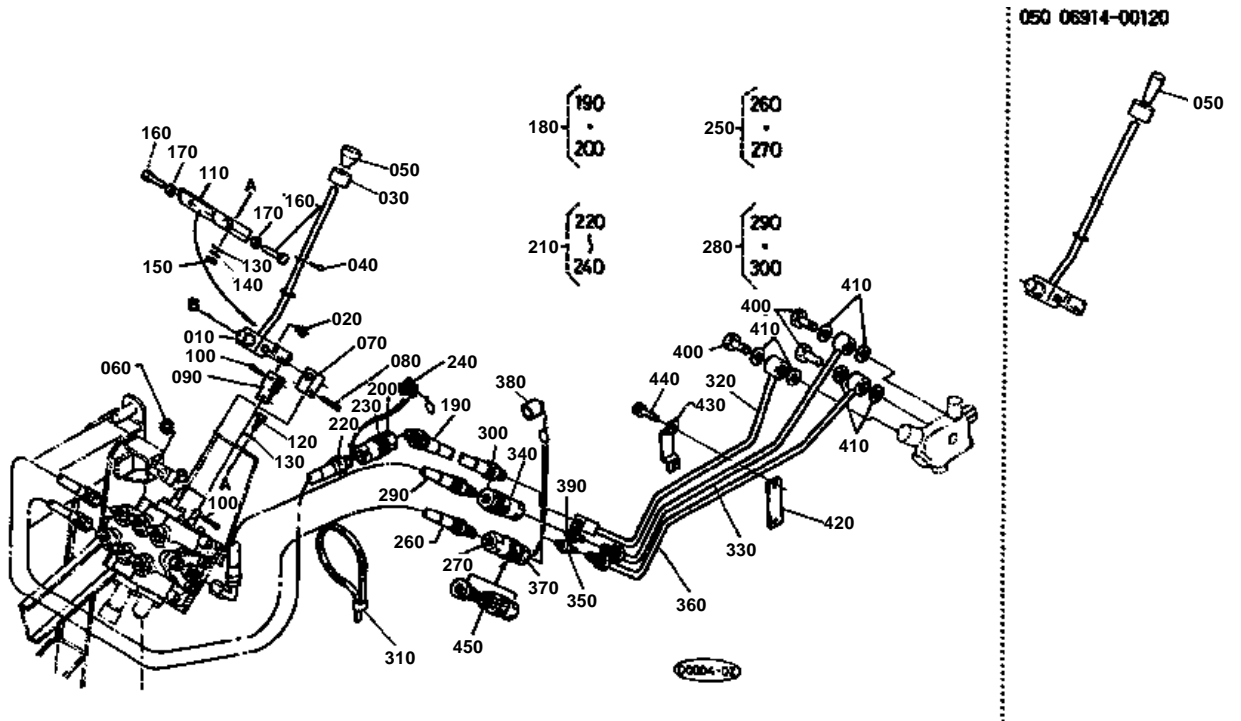


BUCKET CYLINDER [COMPONENT PARTS]

↔ Interchangeable; ≠ not interchangeable; ← new for old; → old for new

REF.No	Part No.	Description	Q'ty	S.No.	I/C	REMARKS	Weight (kgf)	Weight (lb)
010	70726-63135	CYLINDER	2	<=54074		ORANGE	0	0
010	70760-62550	CYLINDER	2	>=54075	≠	DEEP ORANGE	8.18	17.996
020	70726-65112	COMP.TUBE,CYLINDER	2	>=13439			6	13.2
020	70726-75010	COMP.TUBE,CYLINDER	2	>=13440		ORANGE	0	0
020	70760-75240	COMP.TUBE,CYLINDER	2	>=54075	≠	DEEP ORANGE	6.25	13.75
030	70726-66120	COMP.ROD,CYLINDER	2	<=13439			2.6	5.72
030	70726-75120	COMP.ROD,CYLINDER	2	>=13440	≠	ORANGE	0	0
030	70760-75250	COMP.ROD,CYLINDER	2	>=54075	≠	DEEP ORANGE	2.5	5.5
040	70726-65130	PISTON	2	<=13439			0.235	0.517
040	70726-75030	PISTON	2	>=13440	≠		0.25	0.55
050	70726-66142	END	2	<=13439			0.25	0.55
050	70726-75140	END	2	>=13440	≠		0.25	0.55
060	70726-65150	U-NUT	2				0.05	0.11
060	70726-65260	NUT,CENTER LOCK	2		↔		0.04	0.088
070	70726-66160	BUSH	2				0.019	0.0418
080	70726-66170	GASKET	2				0.001	0.0022
090	70726-66180	SEAL,DUST	2				0.004	0.0088
100	70726-65190	GASKET,PISTON	2				0.005	0.011
110	70726-65242	SEALING	2				0.005	0.011
120	70726-65250	SQUARE RING	2				0.005	0.011
130	70726-65200	WEARING	2				0.005	0.011
140	04811-00400	RING	2	<=13439			0.002	0.0044
140	04810-50400	RING	2	>=13440	≠		0.001	0.0022
150	70726-65220	CIR-CLIP	2				0.005	0.011
160	06613-10010	NIPPLE,GREASE	2				0.006	0.0132
180	70726-65210	RING,BACK UP	2	<=13439			0.003	0.0066
190	04810-00200	RING	2	<=13439			0.001	0.0022
200	70726-68210	MANUAL	2			NOT SHOWN IN FIG.	0.008	0.0176
210	70726-68020	KIT SEAL,CYLINDER	2				0.025	0.055

HYDRAULIC PIPE



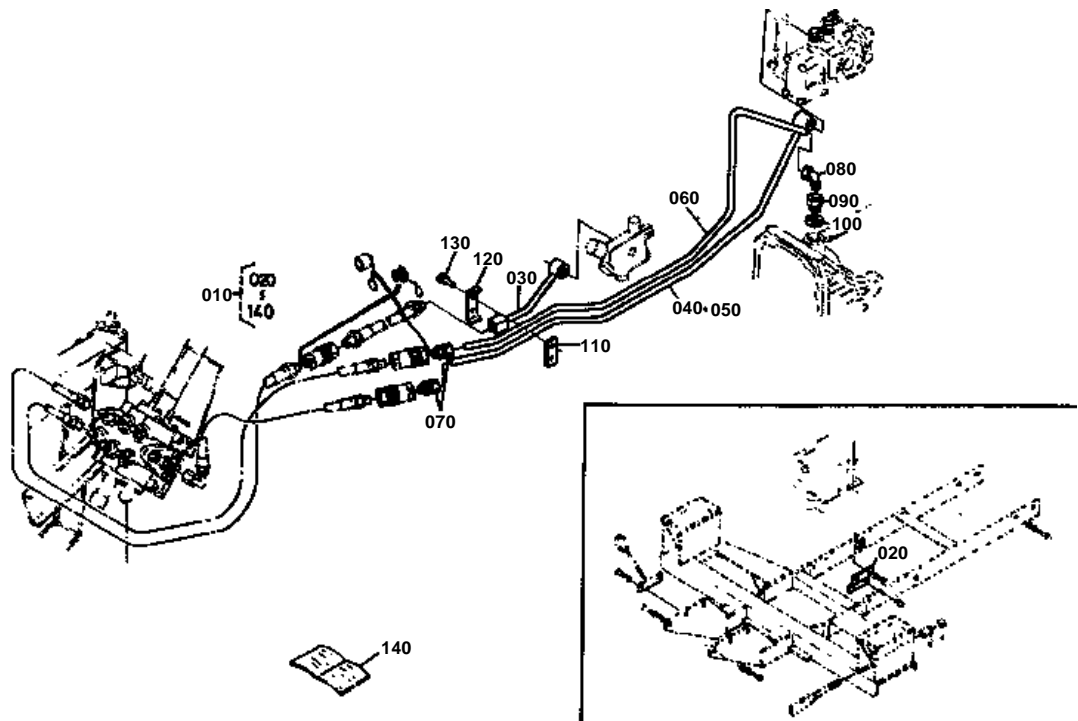


HYDRAULIC PIPE

↔ Interchangeable; ≠ not interchangeable; ← new for old; → old for new

REF.No	Part No.	Description	Q'ty	S.No.	I/C	REMARKS	Weight (kgf)	Weight (lb)
010	70726-61170	ASSY LEVER,CONTROL	1	<=51858			0	0
010	70726-61175	ASSY LEVER,CONTROL	1	>=51859	←		0.515	1.133
020	06613-10675	NIPPLE,GREASE		>=51859			0.003	
	70726-61180						0.105	
	05515-51200							
	06914-00120						0.018	
	66711-42310				↔			0.0726
060	70764-61190						0.001	
	05511-50535						0.07	
	70726-61210						0.007	
	05511-50522						0.03	
	70726-61250			<=54074				
	70763-72010			>=54075	≠	DEEP ORANGE		0.66
120							0.012	
	04013-50080							
	04512-50080						0.005	
	02114-50080						0.02	
	01155-50840						0.003	
	02112-50080						0.71	
	70726-63460						0.25	
	70726-63510						0.065	
	70726-63520						0.5	
	70726-63470						0.305	
	70726-63530						0.17	
	70726-63560						0.005	
	70726-63540						0.57	
	70726-63480						0.6	
	70726-63550						0.17	
	70726-63560						0.485	
	70726-63490						0.6	
	70726-63570						0.065	
	70726-63520						0.005	
	70726-63580						0.25	
	70727-63610						0.29	
	70727-63630						0.17	
	70726-63560							
	70764-62810							
	70727-63650						0.28	
	70726-63520						0.065	
	70726-63660						0.005	
	70764-62810							
	66591-36250						0.08	
	67111-37180						0.003	
	70764-62830						0.06	
	70764-62850						0.046	
	01202-50612						0.005	
	70726-99710						0.005	

CONVERSION KIT FROM BF300-A TO BF300 (OPTION)



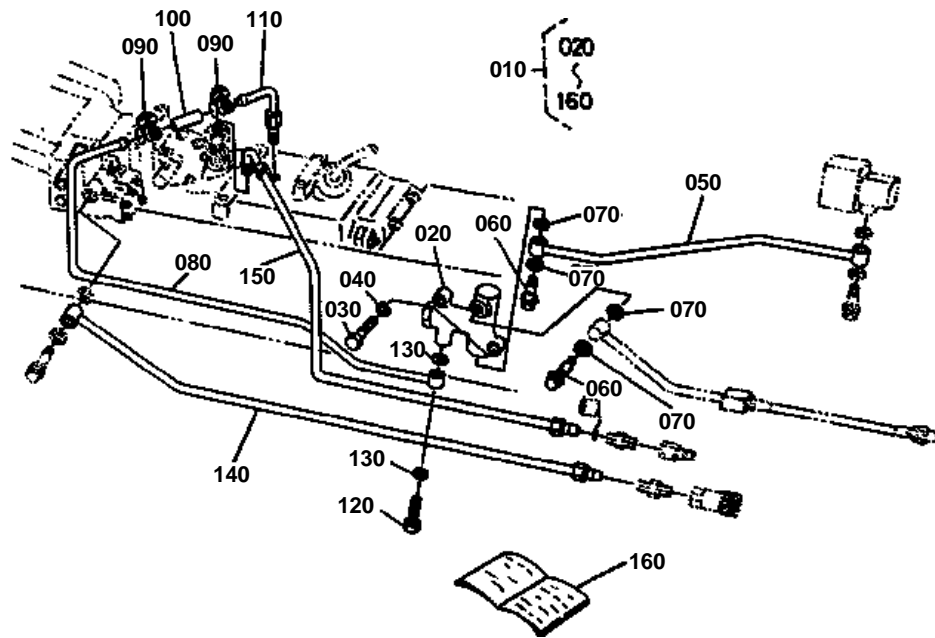


CONVERSION KIT FROM BF300-A TO BF300 (OPTION)

↔ Interchangeable; ≠ not interchangeable; ← new for old; → old for new

REF.No	Part No.	Description	Q'ty	S.No.	I/C	REMARKS	Weight (kgf)	Weight (lb)
010	70726-72000	KIT CONVERSION	1					
	70726-55440						0.29	
	70726-63610						0.2	
	70726-63632						0.56	
	70726-63640						0.5	
	70726-63652						0.55	
	36230-63420						0.07	
	36330-63250						0.08	
	70726-63670						0.095	
	04714-00600						0.005	
	70726-63690						0.035	
	70726-63710						0.055	
	01123-50825						0.013	
	70726-72100						0.02	

CONVERSION KIT FOR B8200E (OPTION)





CONVERSION KIT FOR B8200E (OPTION)

↔ Interchangeable; ≠ not interchangeable; ← new for old; → old for new

REF.No	Part No.	Description	Q'ty	S.No.	I/C	REMARKS	Weight (kgf)	Weight (lb)
010	70726-70000	KIT CONVERSION 2WD	1				0	0
020	01153-50865						1.03	
	04512-50080						0.025	
	70726-71020						0.305	
	66591-36250						0.08	
	67111-37180						0.003	
	67810-37650						0.185	
	67810-37690						0.02	
	67810-37680						0.015	
	67810-37660						0.035	
	67810-37880						0.033	
	04714-00120						0.001	
	70726-71040						0.565	
	70726-71080						0.525	
	70726-71100						0.03	

IMAGE NOT AVAILABLE

**ACCESSORIES AND SERVICE PARTS**

↔ Interchangeable; ≠ not interchangeable; ← new for old; → old for new

REF.No	Part No.	Description	Q'ty	S.No.	I/C	REMARKS	Weight (kgf)	Weight (lb)
010	70726-63313	MANUAL,INSTRUCTION	1				0.11	0.242
020	99891-24930	TAPE,SEAL	1				0.01	0.022
030	70726-63750	MARK,COLOR	4				0.003	0.0066
040	70726-63760	MARK,WHITE	4				0.001	0.0022
050	70726-63770	MARK,YELLOW	4				0.001	0.0022
060	70726-63780	MARK,BLUE	4				0.001	0.0022
070	70726-63790	MARK,RED	4				0.001	0.0022
080	06312-10030	PLUG	12				0.029	0.0638