

Instructions for Parts Books

The heading at the top of the page will be the same for the picture of the parts as it is for the page with the part numbers.

Definition of column headings on part number pages:

REF.No → The number referring to the part on the picture page of the parts book.

Part No. → The number assigned to this part at the time of printing the parts book.

Description → Description of part.

Q'ty → Quantity of part used on that page.

S.No. → Serial number range of the equipment that this part will fit.

>= Your serial number should be greater than or equal to the number shown.

<= Your serial number should be lesser than or equal to the serial number shown.

I/C → Interchangeability of part shown.

↔ The part shown will work for the older and later serial number.

The part shown is not interchangeable with the other serial number.

← new for old

→ old for new

Remarks → Notes about this particular part. Sometimes this may say except [FR] or [CA]

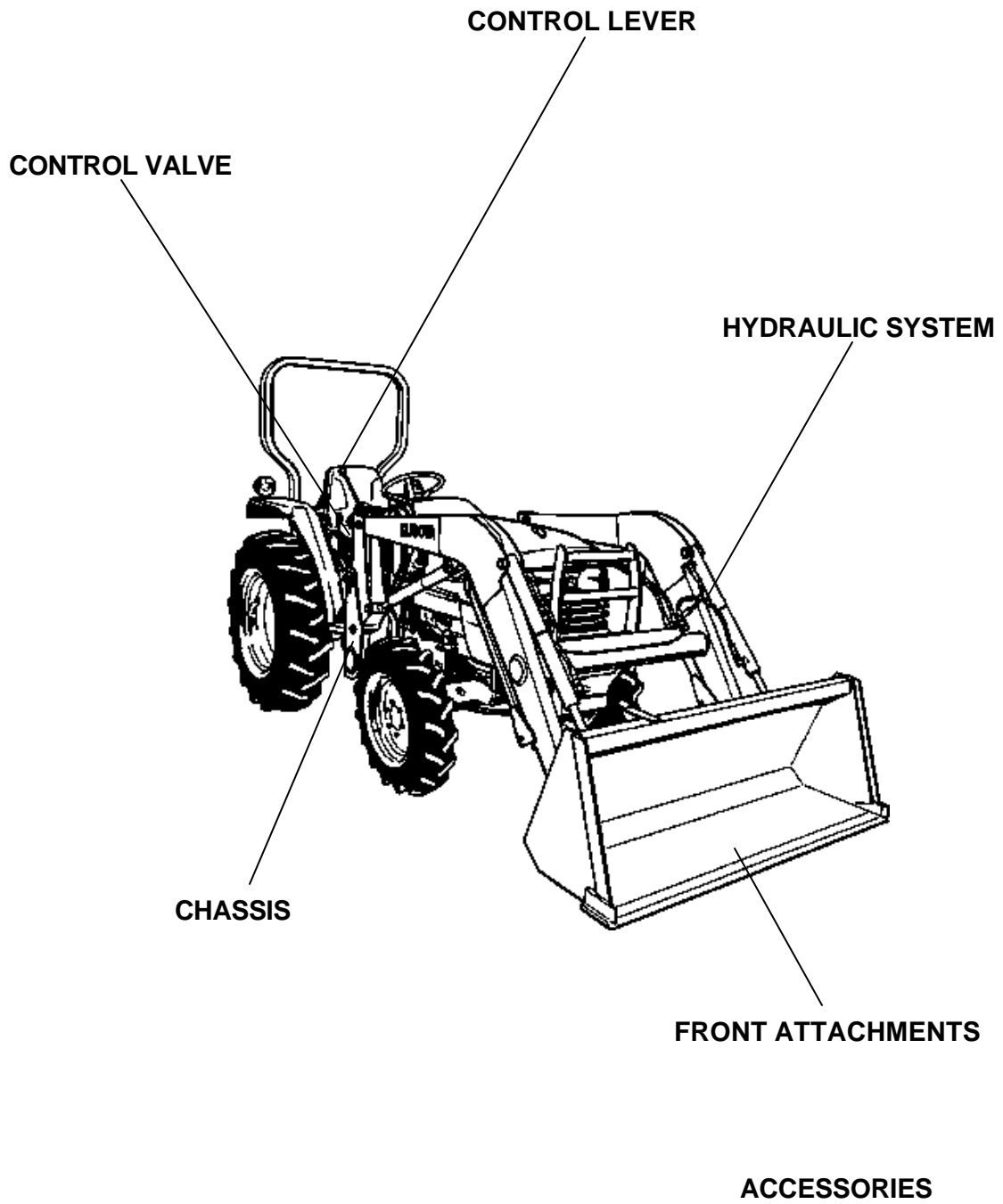
Note about Country Codes:

The parts books we use in the United States of America may also contain information about a part that would be different in another country. It is important that you are aware of the country codes in some instances.

Symbol	Country
A	United States of America
CA	Canada
FR	France
GR	Greece
PO	Portugal
AU	Australia

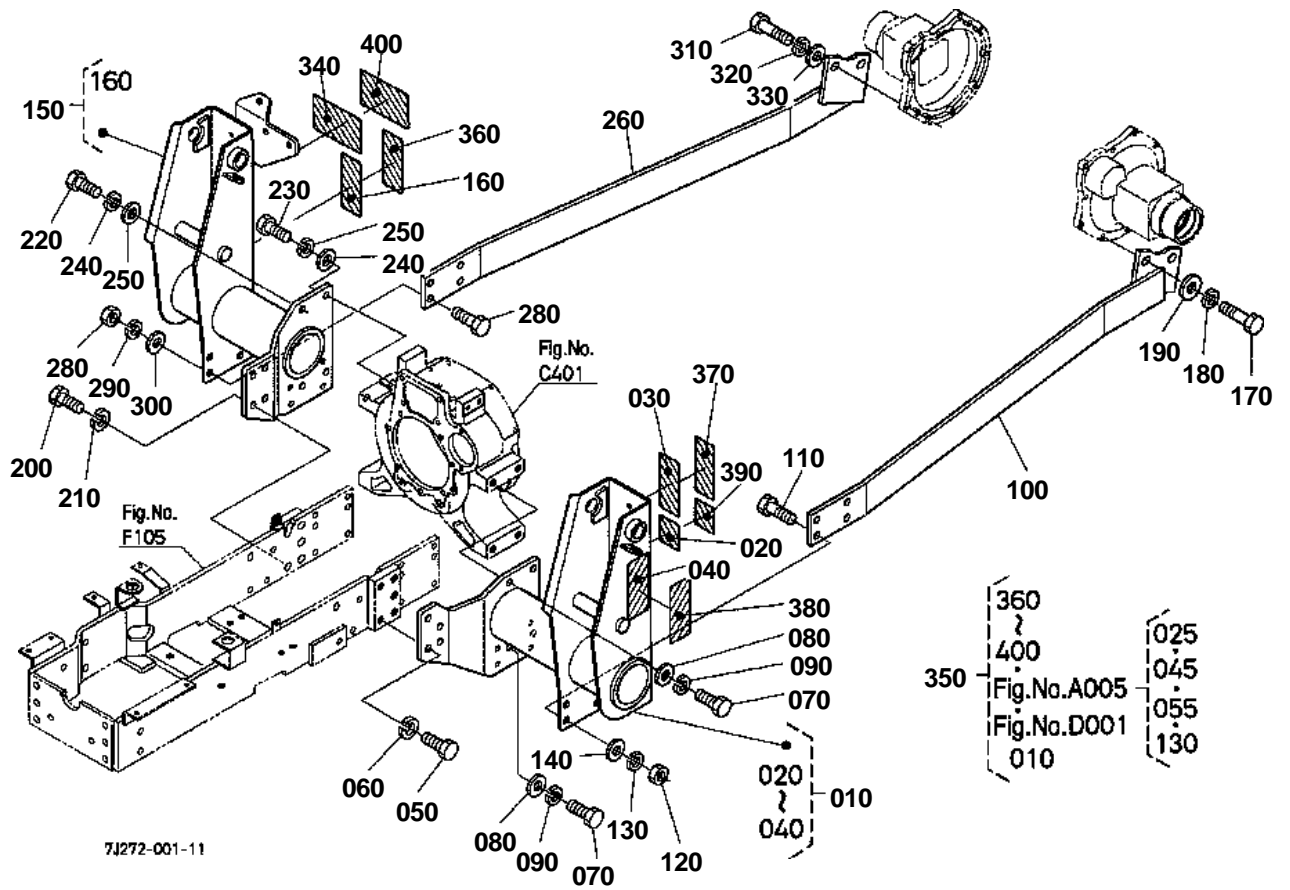
If the remarks column says for example EXCEPT [FR] this part works in all countries except France. That means it will work here in the USA.

**ALL PRODUCT INDEX
LA703**



Item	Part No.	Description	Book
CHASSIS	01A001	MAIN FRAME	100A0275
	01A005	SIDE FRAME	100A0275
FRONT ATTACHMENTS	01A010	BOOM	100A0275
	01A025	BUCKET	100A0275
CONTROL VALVE	01B001	CONTROL VALVE	100A0275
	01B005	CONTROL VALVE [COMPONENT PARTS]	100A0275
CONTROL LEVER	01B013	CONTROL LEVER	100A0275
HYDRAULIC SYSTEM	01B015	CYLINDER/HYDRAULIC HOSE	100A0275
	01B016	HYDRAULIC HOSE(HYD.OUTLET BLOCK)	100A0275
	01B020	HYDRAULIC TUBE	100A0275
	01B025	CYLINDER (BOOM) [COMPONENT PARTS]	100A0275
	01B030	CYLINDER (BUCKET) [COMPONENT PARTS]	100A0275
ACCESSORIES	01D001	ACCESSORIES AND SERVICE PARTS	100A0275

MAIN FRAME



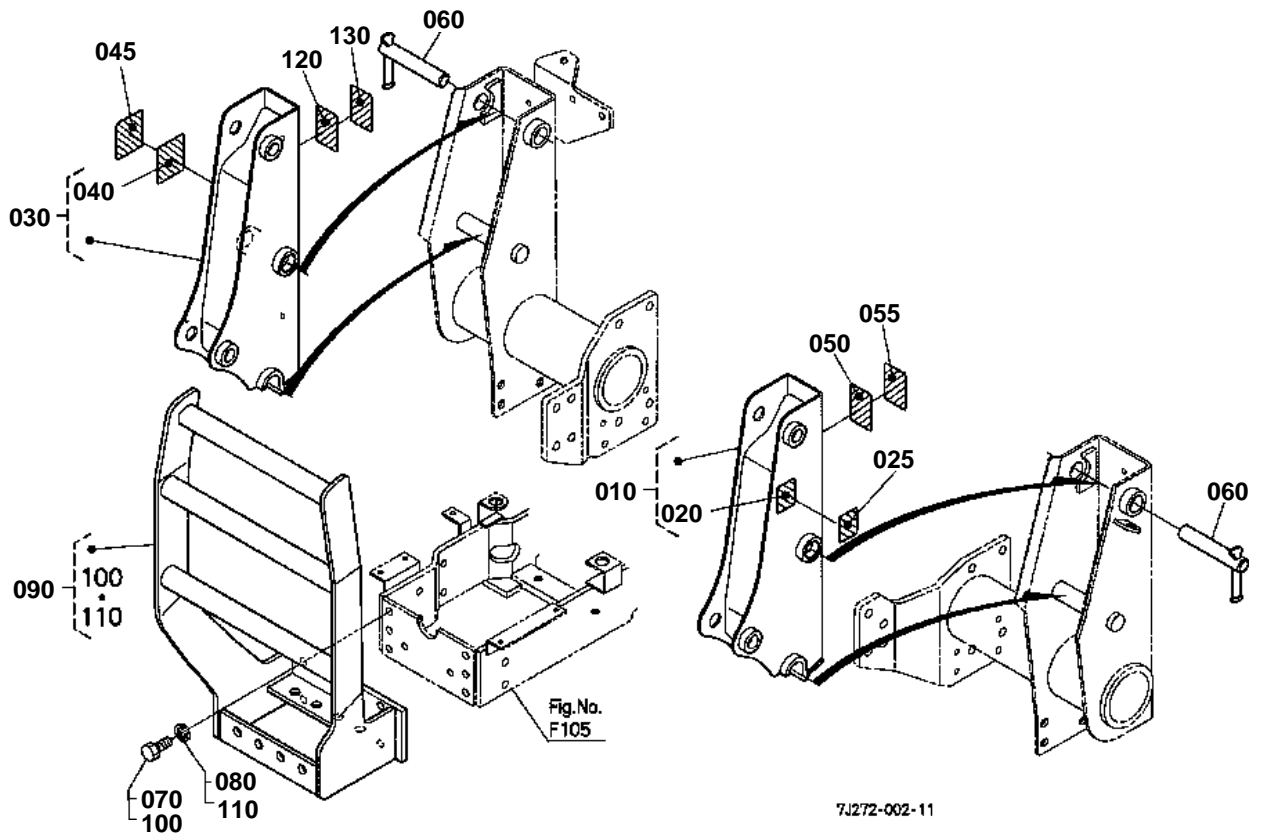


MAIN FRAME

↔ Interchangeable; ≠ not interchangeable; ← new for old; → old for new

REF.No	Part No.	Description	Q'ty	S.No.	I/C	REMARKS	Weight (kgf)	Weight (lb)
010	7J267-90110	FRAME MAIN LH(LABEL)	1			ENGLISH	67	147.4
020	7J246-56420	LABEL DANGER 2	1			ENGLISH	0.001	0.0022
030	7J246-56430	LABEL DANGER 3	1			ENGLISH	0.002	0.0044
040	7J246-56450	LABEL CAUTION 1	1			ENGLISH	0.002	0.0044
050	01073-51645	BOLT	4			M16*1.50*45	0.1	0.22
060	04512-60160	WASHER SPRING	4			M16	0.01	0.022
070	01073-51645	BOLT	4			M16*1.50*45	0.1	0.22
080	75599-32517	WASHER PLAIN	4			5/8HD	0.016	0.0352
090	04512-60160	WASHER SPRING	4			M16	0.01	0.022
100	7J272-55310	FRAME SUB LH	1				0	0
110	01073-51655	BOLT	3			M16*1.50*55	0.12	0.264
120	02076-50160	NUT	3			M16	0.03	0.066
130	04512-60160	WASHER SPRING	3			M16	0.01	0.022
140	75599-32517	WASHER PLAIN	3			5/8HD	0.016	0.0352
150	7J267-90122	FRAME MAIN RH(LABEL)	1			ENGLISH	69	151.8
160	7J246-56410	LABEL DANGER 1	1			ENGLISH	0.002	0.0044
170	01073-51230	BOLT	2			M12*1.25*30	0.041	0.0902
180	04512-60120	WASHER SPRING	2			M12	0.005	0.011
190	75599-32515	WASHER PLAIN	2			1/2HD	0.01	0.022
200	01073-51645	BOLT	4			M16*1.50*45	0.1	0.22
210	04512-60160	WASHER SPRING	4			M16	0.01	0.022
220	01073-51645	BOLT	3			M16*1.50*45	0.1	0.22
230	01073-51650	BOLT	1			M16*1.50*50	0.105	0.231
240	75599-32517	WASHER PLAIN	4			5/8HD	0.016	0.0352
250	04512-60160	WASHER SPRING	4			M16	0.01	0.022
260	7J272-55710	FRAME SUB RH	1				0	0
270	01073-51655	BOLT	3			M16*1.50*55	0.12	0.264
280	02076-50160	NUT	3			M16	0.03	0.066
290	04512-60160	WASHER SPRING	3			M16	0.01	0.022
300	75599-32517	WASHER PLAIN	3			5/8HD	0.016	0.0352
310	01073-51230	BOLT	2			M12*1.25*30	0.041	0.0902
320	04512-60120	WASHER SPRING	2			M12	0.005	0.011
330	75599-32515	WASHER PLAIN	2			1/5HD	0.01	0.022
340	7J266-56490	LABEL CAUTION 4	1			ENGLISH	0.001	0.0022
350	7J272-95500	KIT FRENCH	1			FRENCH	0	0
360	75546-99613	LABEL DANGER 1(F)	1			FRENCH	0.001	0.0022
370	75546-99632	LABEL DANGER 3(F)	1			FRENCH	0.01	0.022
380	75546-99654	LABEL CAUTION(F)	1			FRENCH	0.003	0.0066
390	75567-99622	LABEL DANGER 2(F)	1			FRENCH	0.003	0.0066
400	7J266-99682	LABEL CAUTION 4	1			FRENCH	0.001	0.0022

SIDE FRAME

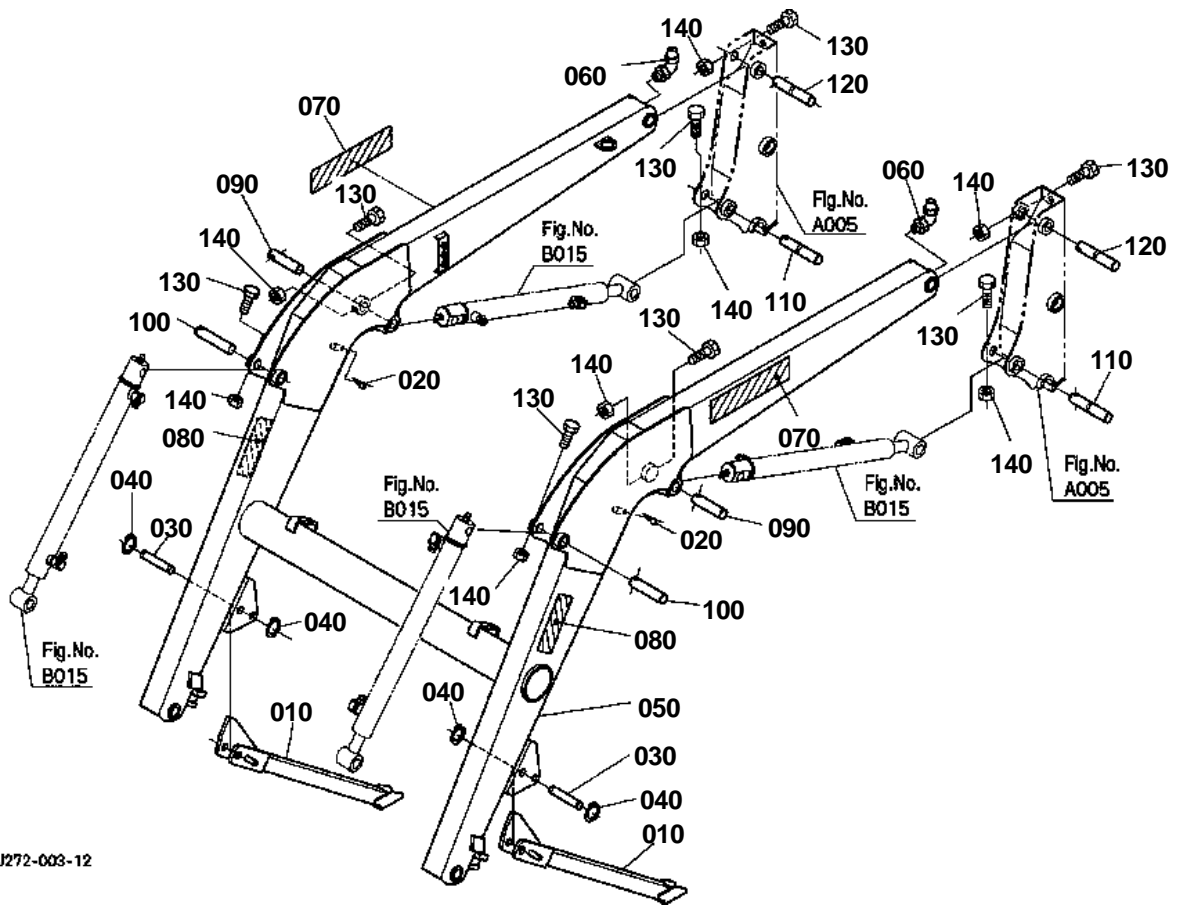


**SIDE FRAME**

↔ Interchangeable; ≠ not interchangeable; ← new for old; → old for new

REF.No	Part No.	Description	Q'ty	S.No.	I/C	REMARKS	Weight (kgf)	Weight (lb)
010	7J267-90130	FRAME SIDE LH(LABEL)	1			ENGLISH	18	39.6
020	7J246-56442	LABEL WARNING 1	1			ENGLISH	0.01	0.022
025	75546-99642	LABEL WARNING 1(F)	1			FRENCH	0.001	0.0022
030	7J267-90143	FRAME SIDE RH(LABEL)	1			ENGLISH	0	0
040	7J246-56442	LABEL WARNING 1	1			ENGLISH	0.01	0.022
045	75546-99642	LABEL WARNING 1(F)	1			FRENCH	0.001	0.0022
050	75580-56370	LABEL LUBRICATE	1			ENGLISH	0.001	0.0022
055	75580-95550	LABEL LUBRICATE FREN	1			FRENCH	0.001	0.0022
060	7J414-56810	PIN MOUNT	2				1.35	2.97
070	01073-51440	BOLT	4			M14*1.50*40	0.069	0.1518
080	04512-60140	WASHER SPRING	4			M14	0.008	0.0176
090	7J244-99500	KIT GUARD FRONT	1				0	0
100	01073-51445	BOLT	4			M14*1.50*45	0.08	0.176
110	04512-60140	WASHER SPRING	4			M14	0.008	0.0176
120	7J266-62360	LABEL CONTROL	1			ENGLISH	0.002	0.0044
130	75553-99640	LABEL CONTROL(F)	1			FRENCH	0.001	0.0022

BOOM



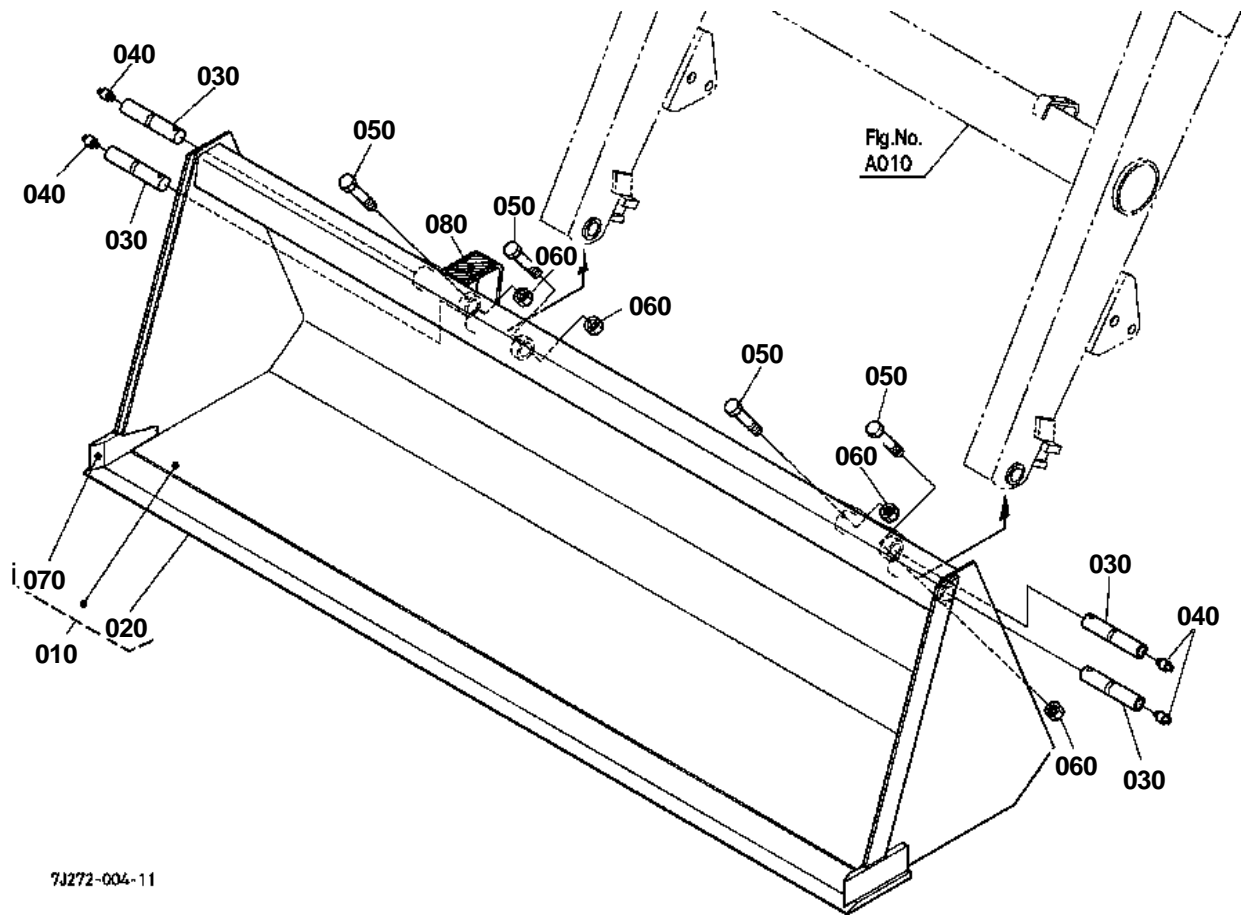
7.1272-003-12

**BOOM**

↔ Interchangeable; ≠ not interchangeable; ← new for old; → old for new

REF.No	Part No.	Description	Q'ty	S.No.	I/C	REMARKS	Weight (kgf)	Weight (lb)
010	7J266-57550	STAND	2				6.5	14.3
020	75595-11550	PIN SPRING LOCK	2				0.015	0.033
030	7J266-57650	PIN	2				0.24	0.528
040	04612-00190	CIR CLIP EXTERNAL	4				0.001	0.0022
050	7J272-58010	BOOM	1				0	0
060	75532-63470	FITTING GREASE	2			90DEG.	0.01	0.022
070	TD060-80930	LABEL KUBOTA	2				0.007	0.0154
080	7J272-58460	LABEL LA703	2				0	0
090	7J266-58510	PIN 1	2				0.4	0.88
100	7J266-58610	PIN 2	2				0.43	0.946
110	7J266-58740	PIN 4	2				0.5	1.1
120	7J267-58752	PIN 5	2				0.666	1.4652
130	01053-50655	BOLT	8			M6*1.00*55	0.013	0.0286
140	02552-50060	NUT LOCK	8			M6	0.002	0.0044

BUCKET



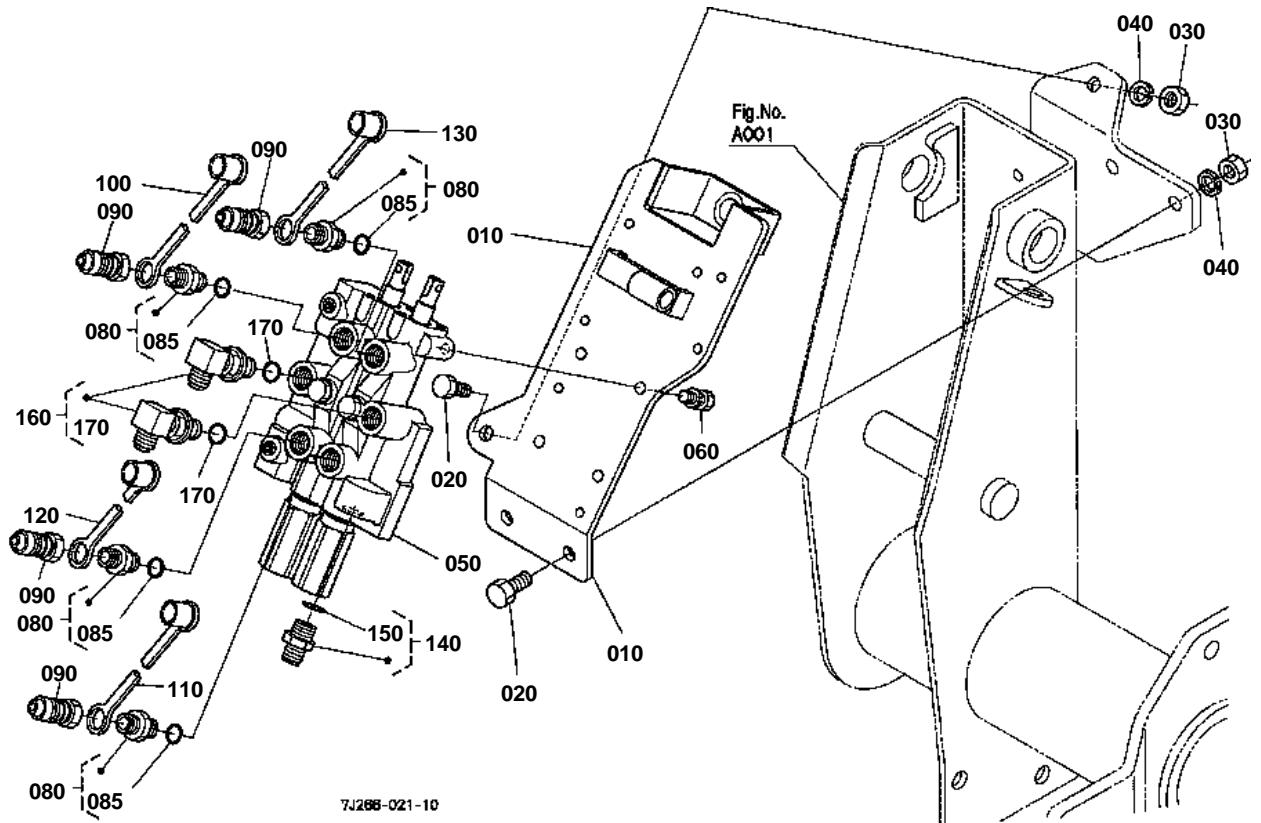
7J272-004-11

**BUCKET**

↔ Interchangeable; ≠ not interchangeable; ← new for old; → old for new

REF.No	Part No.	Description	Q'ty	S.No.	I/C	REMARKS	Weight (kgf)	Weight (lb)
010	7J272-59010	BUCKET 72	1				0	0
020	7J267-59322	EDGE 1 CUTTING	1				25.5	56.1
030	7J266-58710	PIN 3	4				0.48	1.056
050	7J266-58980	HEX.BOLT	4			M6*1.00*55	0.02	0.044
060	02552-50060	NUT LOCK	4			M6	0.002	0.0044
070	7J267-59332	EDGE 2 CUTTING	2				0.71	1.562
080	75540-59450	LABEL LEVELER	1				0.001	0.0022

CONTROL VALVE

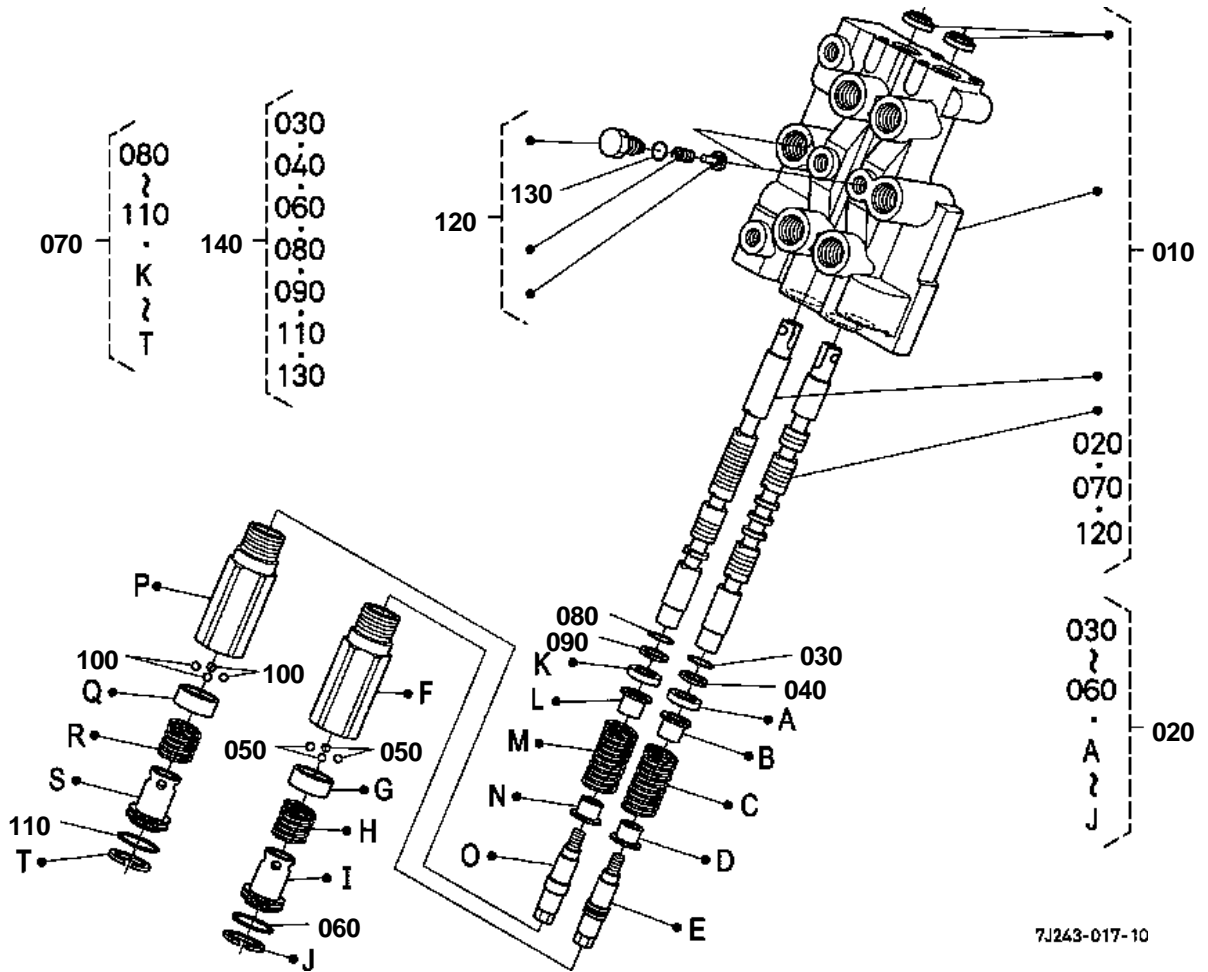


**CONTROL VALVE**

↔ Interchangeable; ≠ not interchangeable; ← new for old; → old for new

REF.No	Part No.	Description	Q'ty	S.No.	I/C	REMARKS	Weight (kgf)	Weight (lb)
010	7J266-61114	STAY VALVE	1				2.5	5.5
020	01173-51230	BOLT	3			M12*1.25*30	0.037	0.0814
030	02174-50120	NUT	3			M12	0.01	0.022
040	04512-60120	WASHER SPRING	3			M12	0.005	0.011
050	YW240-00102	ASSY VALVE CONTROL	1				7.08	15.576
060	01123-50820	BOLT	4			M8*1.25*20	0.011	0.0242
070	99999-99999	BLANK	0				0	0
080	7J243-61850	ASSY ADAPTER	4			3/8NPT	0.05	0.11
085	75540-61820	O-RING	4				0.001	0.0022
090	75540-66220	NIPPLE	4				0.06	0.132
100	7J246-66410	CAP DUST	1			BLUE	0.002	0.0044
110	7J246-66420	CAP DUST	1			YELLOW	0.005	0.011
120	7J246-66430	CAP DUST	1			RED	0.002	0.0044
130	7J246-66440	CAP DUST	1			WHITE	0.005	0.011
140	75580-61800	ASSY ADAPTER 1	1				0.06	0.132
150	75540-61820	O-RING	1				0.001	0.0022
160	75560-61950	ASSY ELBOW 2 ADJUSTA	2				0.14	0.308
170	75540-61820	O-RING	2				0.001	0.0022

CONTROL VALVE [COMPONENT PARTS]



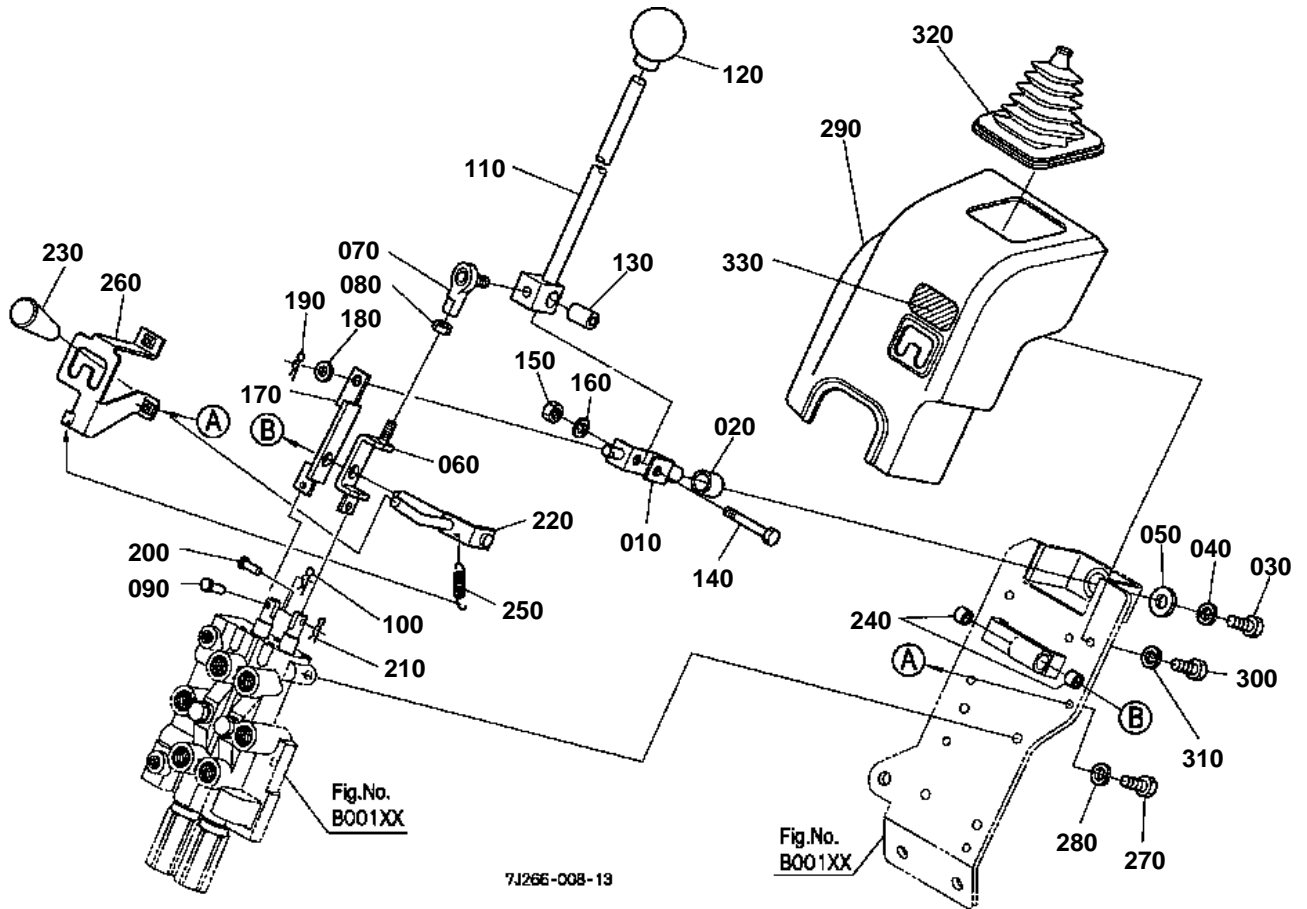


CONTROL VALVE [COMPONENT PARTS]

↔ Interchangeable; ≠ not interchangeable; ← new for old; → old for new

REF.No	Part No.	Description	Q'ty	S.No.	I/C	REMARKS	Weight (kgf)	Weight (lb)
010	YW240-00102	ASSY VALVE CONTROL	1				7.08	15.576
020	YW232-91102	KIT PLUG DETENT 1	1				0.43	0.946
030	04817-00140	O RING	1			1/4UNC*1-1 1/2	0.001	0.0022
040	34076-66250	RING BACK UP	1				0.005	0.011
050	07715-01603	BALL	4				0	0
060	04817-06250	O RING	1				0.001	0.0022
070	YW242-92102	KIT PLUG DETENT 2	1				0.43	0.946
080	04817-00140	O RING	1			1/4UNC*1-1 1/2	0.001	0.0022
090	34076-66250	RING BACK UP	1				0.005	0.011
100	07715-01603	BALL	4				0	0
110	04817-06250	O RING	1				0.001	0.0022
120	YW232-93100	KIT VALVE LOAD CHECK	1				0.04	0.088
130	04817-00100	O RING	2				0.001	0.0022
140	YW242-94100	KIT SEAL	1				0.01	0.022

CONTROL LEVER



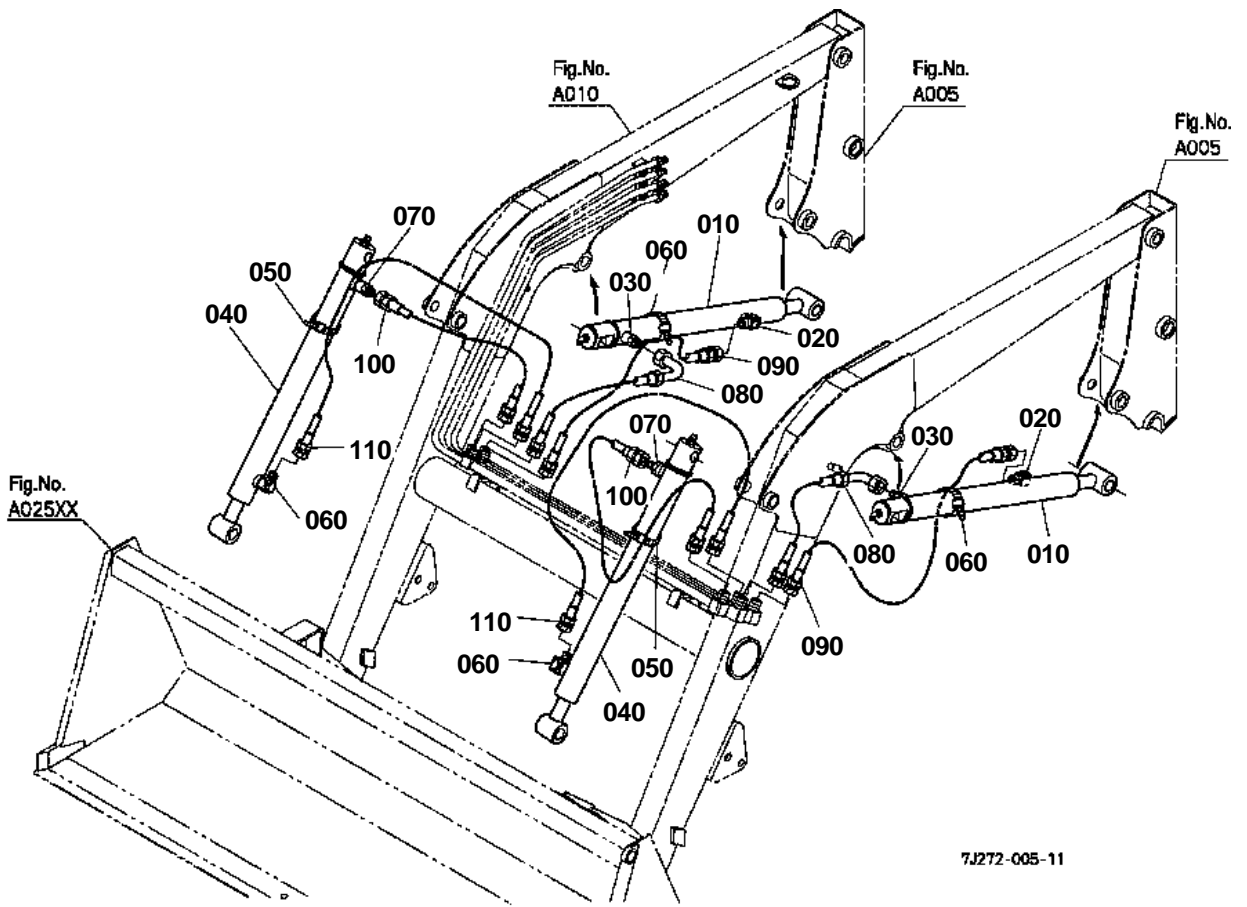


CONTROL LEVER

↔ Interchangeable; ≠ not interchangeable; ← new for old; → old for new

REF.No	Part No.	Description	Q'ty	S.No.	I/C	REMARKS	Weight (kgf)	Weight (lb)
010	7J266-62115	LEVER	1				0.18	0.396
020	08511-01625	BUSH	1				0.01	0.022
030	01053-50818	BOLT	1			M8*1.25*18	0.011	0.0242
040	04512-60080	WASHER SPRING	1			M8	0.002	0.0044
050	04015-60080	WASHER PLAIN	1			M8	0.01	0.022
060	7J266-62163	LEVER 1 LOCK	1				0.14	0.308
070	75532-62260	JOINT ROD END	1				0.05	0.11
080	75599-31022	NUT	1			5/16-24UNF	0.015	0.033
090	75540-62190	PIN	1				0.018	0.0396
100	05525-60500	PIN SNAP	1				0.001	0.0022
110	7J266-62210	LEVER CONTROL	1				0.59	1.298
120	31355-82520	GRIP LEVER	1				0.05	0.11
130	7J266-72150	SLEEVE	1				0.001	0.0022
140	01073-51050	BOLT	1			M10*1.25*50	0.038	0.0836
150	02018-50100	NUT	1			M10	0.011	0.0242
160	04512-60100	WASHER SPRING	1			M10	0.002	0.0044
170	7J266-62283	LEVER 2 LOCK	1				0.11	0.242
180	04013-60100	WASHER PLAIN	1			M10	0.003	0.0066
190	05525-61000	PIN SNAP	1				0.002	0.0044
200	75540-62190	PIN	1				0.018	0.0396
210	05525-60500	PIN SNAP	1				0.001	0.0022
220	7J266-62414	LEVER LOCK	1				0.16	0.352
230	06914-00100	GRIP LEVER	1				0.02	0.044
240	08511-01210	BUSH	2				0.005	0.011
250	7J266-62813	SPRING LOCK	1				0.1	0.22
260	7J266-62510	GUIDE LEVER	1				0.2	0.44
270	01053-50616	BOLT	2			M6*1.00*16	0.005	0.011
280	04512-60060	WASHER SPRING	2			M6	0.001	0.0022
290	7J266-62315	COVER	1				0.01	0.022
300	01053-50616	BOLT	3			M6*1.00*16	0.005	0.011
310	04512-60060	WASHER SPRING	3			M6	0.001	0.0022
320	7J266-62710	BOOT CONTROL LEVER	1				0.01	0.022
330	7J266-62910	LABEL C/V LOCK	1				0.001	0.0022

CYLINDER/HYDRAULIC HOSE



7J272-005-11

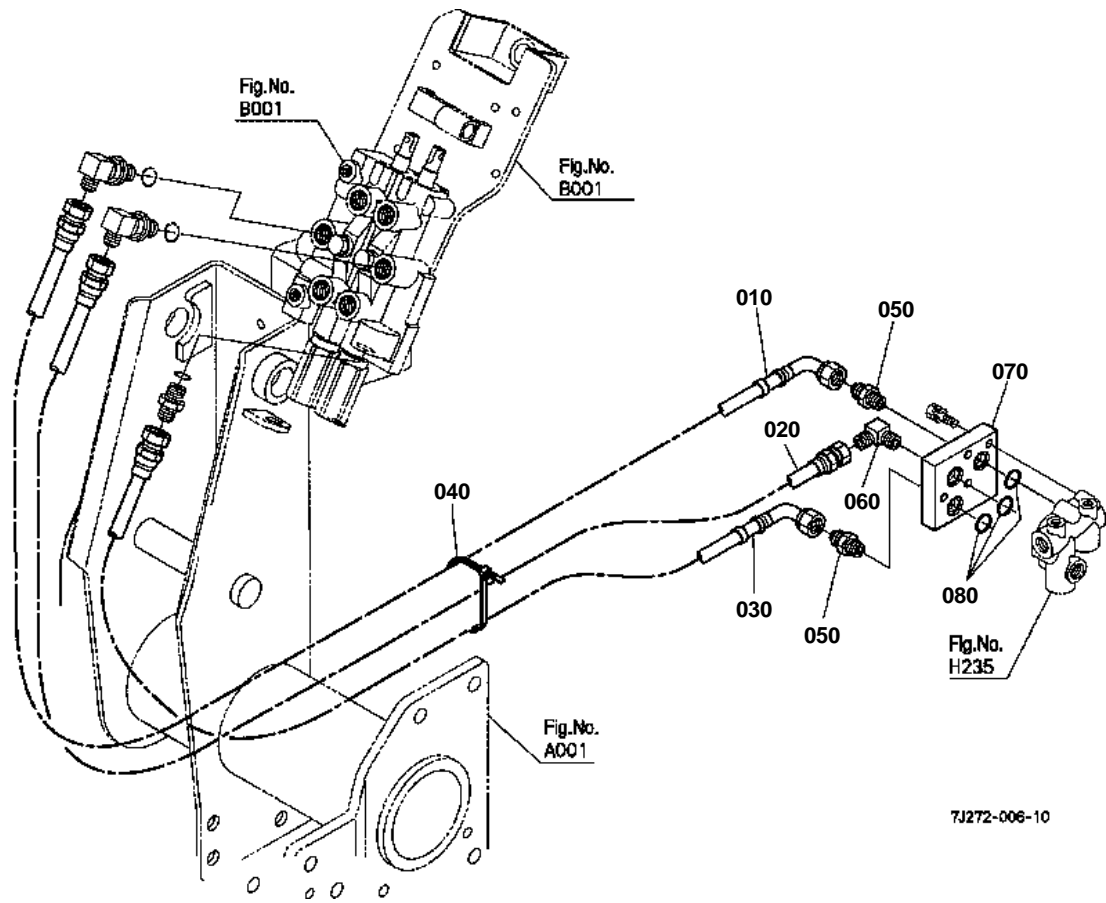


CYLINDER/HYDRAULIC HOSE

↔ Interchangeable; ≠ not interchangeable; ← new for old; → old for new

REF.No	Part No.	Description	Q'ty	S.No.	I/C	REMARKS	Weight (kgf)	Weight (lb)
010	7J267-63010	CYLINDER 1	2				6	13.2
020	75540-64910	ELBOW 1	2				0.11	0.242
030	75594-63680	ADAPTER(NPTF)	2				0.005	0.011
040	7J272-64010	CYLINDER 2	2				0	0
050	75590-64650	BAND CODE	4				0.01	0.022
060	75540-64910	ELBOW 1	2				0.11	0.242
070	75594-63680	ADAPTER(NPTF)	2				0.005	0.011
080	7J267-66610	HOSE 8 HYDRAULIC	2				0.39	0.858
090	7J267-66620	HOSE 9 HYDRAULIC	2				0.001	0.0022
100	7J272-66630	HOSE 10 HYDRAULIC	2				0	0
110	75563-66640	HOSE 11 HYDRAULIC	2				0.338	0.7436

HYDRAULIC HOSE(HYD.OUTLET BLOCK)



7J272-006-10

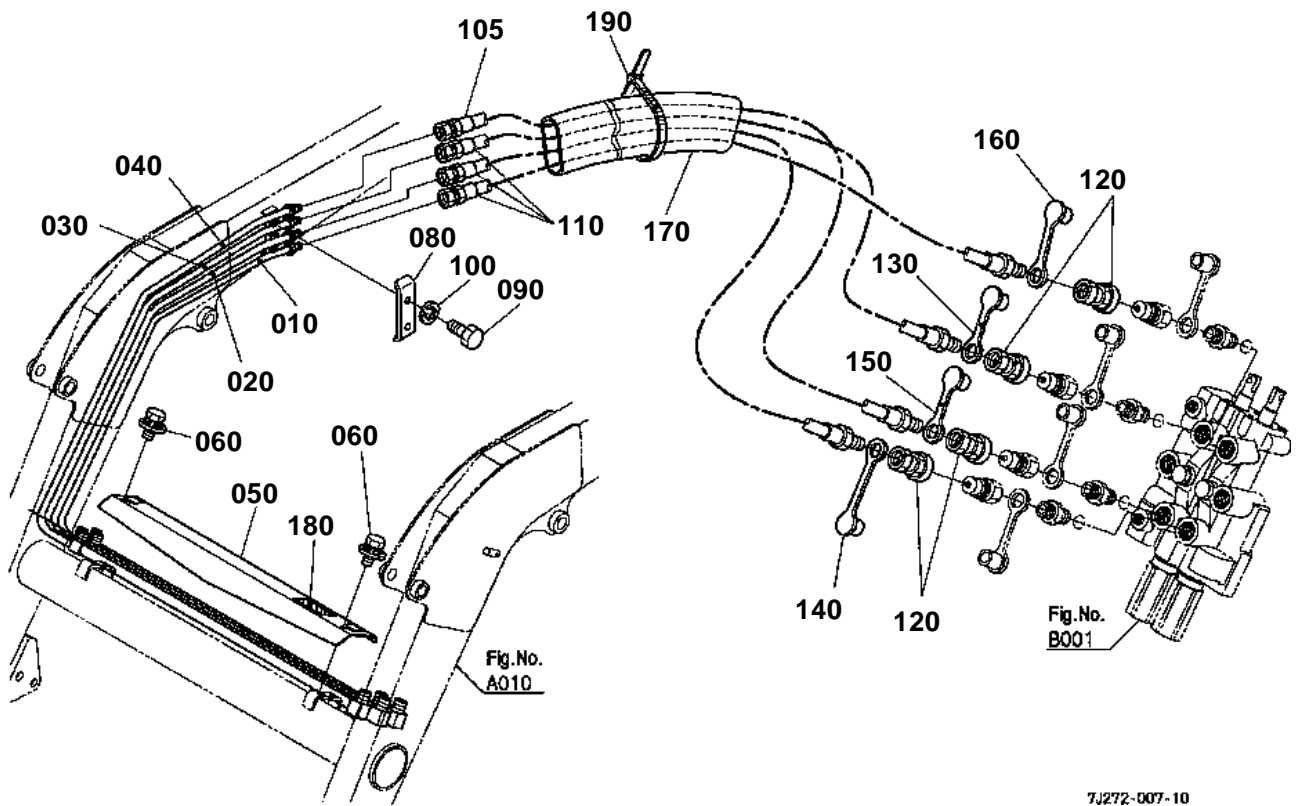


HYDRAULIC HOSE(HYD.OUTLET BLOCK)

↔ Interchangeable; ≠ not interchangeable; ← new for old; → old for new

REF.No	Part No.	Description	Q'ty	S.No.	I/C	REMARKS	Weight (kgf)	Weight (lb)
010	7J266-66710	HOSE 5 HYDRAULIC	1				0.43	0.946
020	7J261-66410	HOSE 6 HYDRAULIC	1				0.4	0.88
030	7J414-66630	HOSE 10 HYDRAULIC	1				0.5	1.1
040	75590-64650	BAND CODE	1				0.01	0.022
050	75582-66810	ADAPTER 1	2				0.05	0.11
060	75540-64910	ELBOW 1	1				0.11	0.242
070	7J266-68110	BLOCK HYDRAULIC	1				0.93	2.046
080	04817-00160	O RING	3				0.001	0.0022

HYDRAULIC TUBE



7J272-007-10

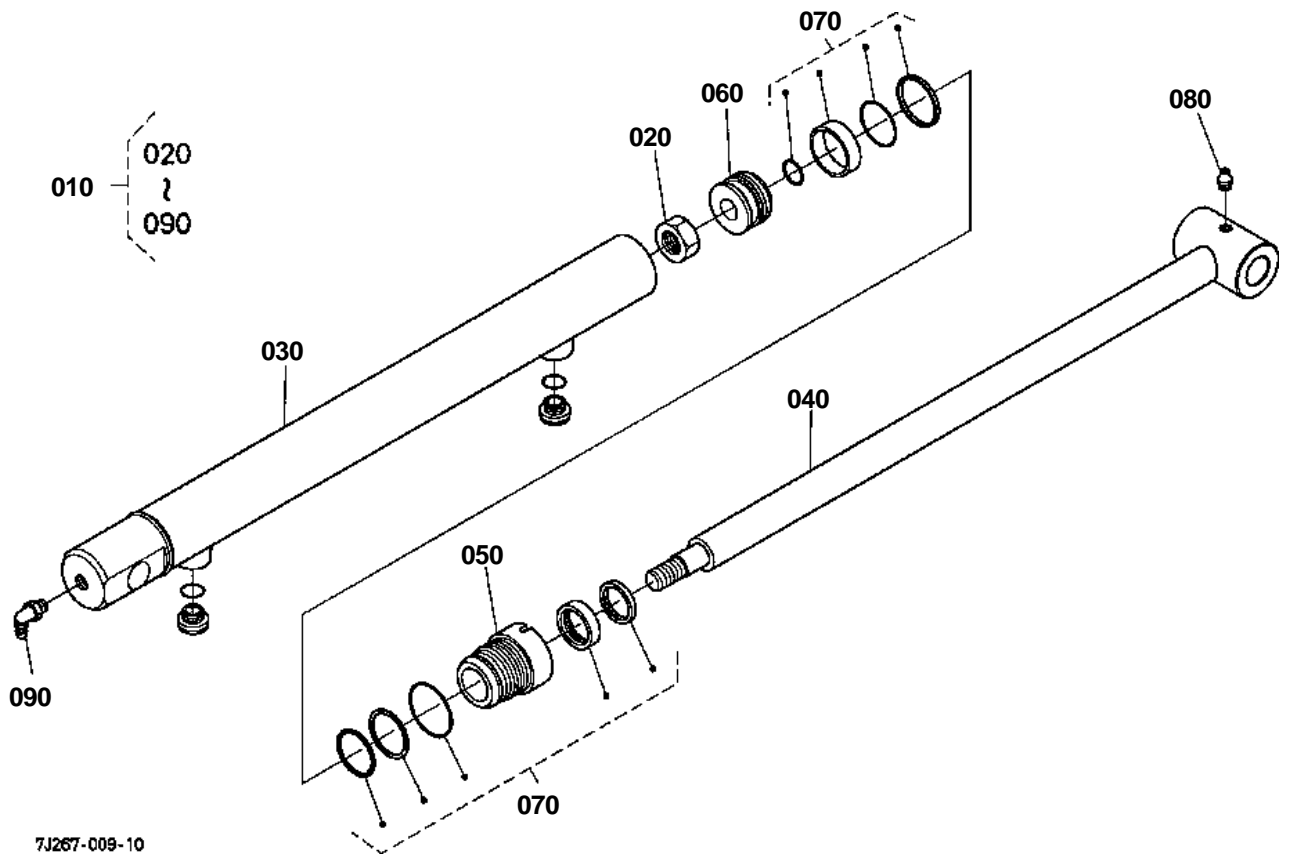


HYDRAULIC TUBE

↔ Interchangeable; ≠ not interchangeable; ← new for old; → old for new

REF.No	Part No.	Description	Q'ty	S.No.	I/C	REMARKS	Weight (kgf)	Weight (lb)
010	7J267-65110	TUBE 1 HYDRAULIC	1				0.84	1.848
020	7J267-65210	TUBE 2 HYDRAULIC	1				0.8	1.76
030	7J267-65310	TUBE 3 HYDRAULIC	1				0.9	1.98
040	7J267-65412	TUBE 4 HYDRAULIC	1				0.9	1.98
050	7J266-65510	COVER CLAMP	1				2.5	5.5
060	01125-50830	BOLT	4			M8*1.25*30	0.017	0.0374
070	99999-99999	BLANK	0				0	0
080	75540-65530	CLAMP 2	1				0.16	0.352
090	01053-50825	BOLT	2			M8*1.25*25	0.014	0.0308
100	04512-60080	WASHER SPRING	2			M8	0.002	0.0044
105	7J267-66120	HOSE 2 HYDRAULIC	1				0.55	1.21
110	7J266-66110	HOSE 1 HYDRAULIC	3				0.4	0.88
120	75540-66320	COUPLER	4				0.23	0.506
130	7J246-66310	PLUG DUST	1			BLUE	0.002	0.0044
140	7J246-66320	PLUG DUST	1			YELLOW	0.01	0.022
150	7J246-66330	PLUG DUST	1			RED	0.002	0.0044
160	7J246-66340	PLUG DUST	1			WHITE	0.002	0.0044
170	7J261-66140	SLEEVE	1			23.0	0.09	0.198
180	7J266-72360	LABEL NO STEP	1				0.001	0.0022
190	75590-64650	BAND CODE	1				0.01	0.022

CYLINDER (BOOM) [COMPONENT PARTS]



7J267-009-10

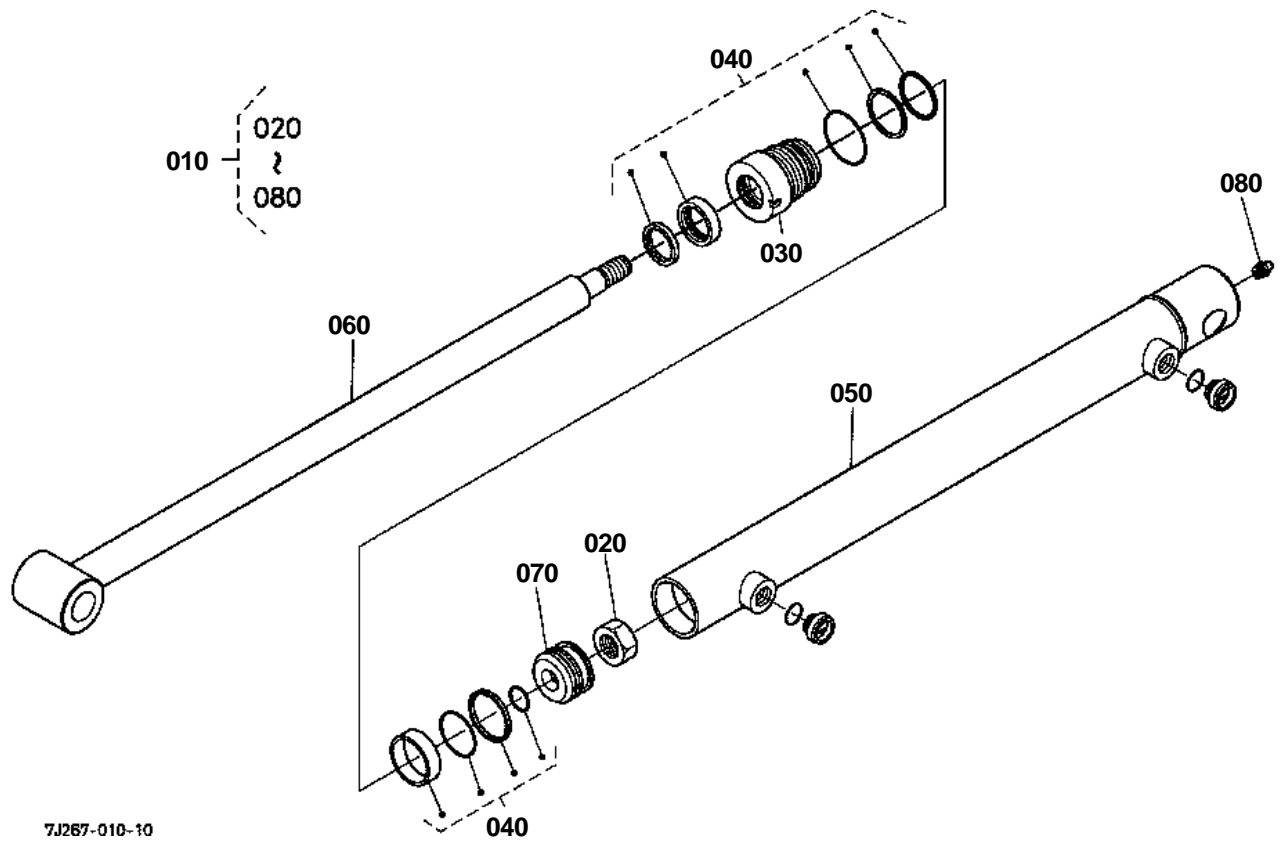


CYLINDER (BOOM) [COMPONENT PARTS]

↔ Interchangeable; ≠ not interchangeable; ← new for old; → old for new

REF.No	Part No.	Description	Q'ty	S.No.	I/C	REMARKS	Weight (kgf)	Weight (lb)
010	7J267-63010	CYLINDER 1	2				6	13.2
020	75598-13310	NUT	2				0.045	0.099
030	7J267-63100	TUBE 1 COMP(N2328/7)	2				5	11
040	7J267-63200	ROD 1 COMP(N2328/6)	2	<=12734			6	13.2
040	7J267-63202	ROD 1 COMP(N2328/6)	2	>=12735	1		6	13.2
050	7J267-63310	HEAD(2286/5)	2				0.5	1.1
060	7J267-63350	PISTON 1(2327/8)	2				0.32	0.704
070	7J267-63400	KIT 1 SEAL(2328/11)	2	<=12734			0.03	0.066
070	7J267-63402	KIT 1 SEAL(2328/11)	2	>=12735	1		0.03	0.066
080	75599-81531	FITTING GREASE	2			1/8-27NPTF	0.007	0.0154
090	75532-63470	FITTING GREASE	2			90DEG.	0.01	0.022

CYLINDER (BUCKET) [COMPONENT PARTS]



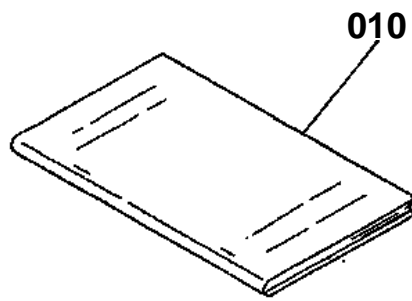
7J287-010-10



CYLINDER (BUCKET) [COMPONENT PARTS]

↔ Interchangeable; ≠ not interchangeable; ← new for old; → old for new

REF.No	Part No.	Description	Q'ty	S.No.	I/C	REMARKS	Weight (kgf)	Weight (lb)
010	7J272-64010	CYLINDER 2	2				0	0
020	75598-13322	NUT	2				0.058	0.1276
030	7J267-63310	HEAD(2286/5)	2				0.5	1.1
040	7J267-63400	KIT 1 SEAL(2328/11)	2	<=12734			0.03	0.066
040	7J267-63402	KIT 1 SEAL(2326/11)	2	>=12735	1		0.03	0.066
050	7J267-64100	TUBE 1 COMP(N2326/7)	2				5	11
060	7J272-64200	ROD 1 COMP(N2638/6)	2	<=12734			0	0
060	7J272-64202	ROD 1 COMP(N2326/6)	2	>=12735	1		0	0
070	7J267-64350	PISTON 1(2329/8)	2	<=12734			0.38	0.836
070	7J267-64352	PISTON 1(2326/8)	2	>=12735	1		0.38	0.836
080	75599-81531	FITTING GREASE	2			1/8-27NPTF	0.007	0.0154



1G606-002-10



ACCESSORIES AND SERVICE PARTS

↔ Interchangeable; ≠ not interchangeable; ← new for old; → old for new

REF.No	Part No.	Description	Q'ty	S.No.	I/C	REMARKS	Weight (kgf)	Weight (lb)
010	7J272-69110	OPERATOR'S MANUAL	1			ENGLISH	0	0
010	7J272-95910	OPERATOR'S MANUAL(F)	1			FRENCH	0	0