

Instructions for Parts Books

The heading at the top of the page will be the same for the picture of the parts as it is for the page with the part numbers.

Definition of column headings on part number pages:

REF.No → The number referring to the part on the picture page of the parts book.

Part No. → The number assigned to this part at the time of printing the parts book.

Description → Description of part.

Q'ty → Quantity of part used on that page.

S.No. → Serial number range of the equipment that this part will fit.

>= Your serial number should be greater than or equal to the number shown.

<= Your serial number should be lesser than or equal to the serial number shown.

I/C → Interchangeability of part shown.

↔ The part shown will work for the older and later serial number.

The part shown is not interchangeable with the other serial number.

← new for old

→ old for new

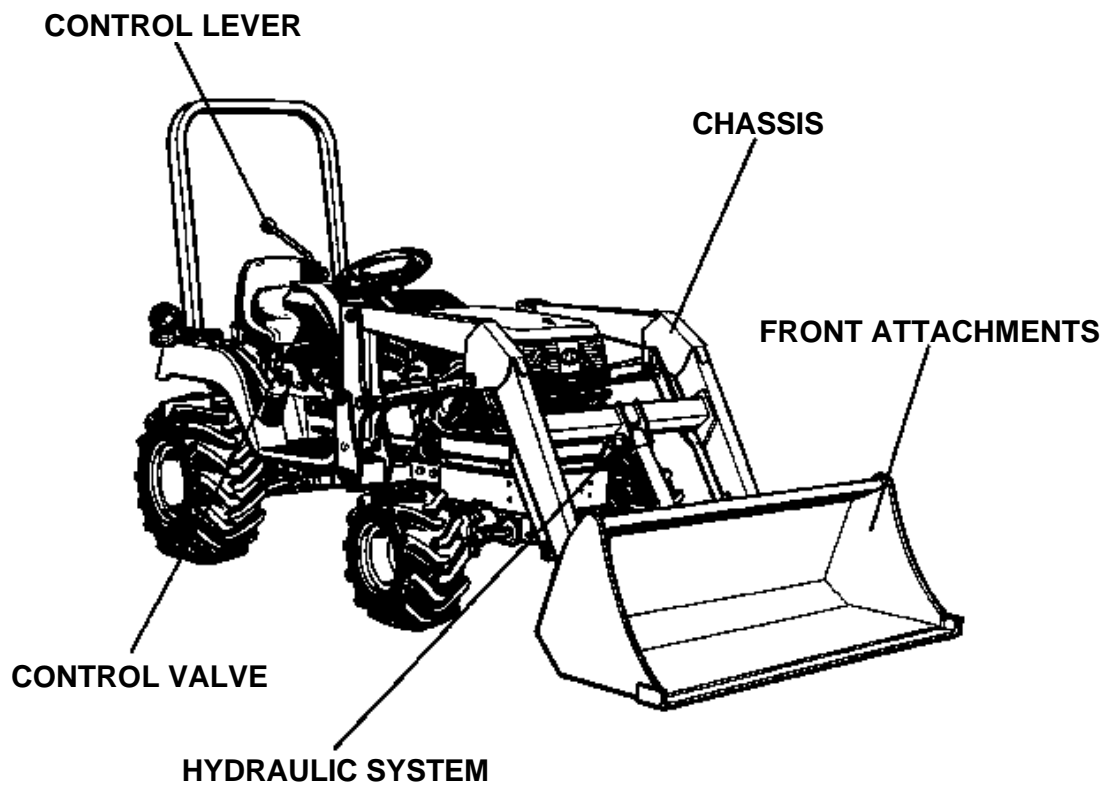
Remarks → Notes about this particular part. Sometimes this may say except [FR] or [CA]

Note about Country Codes:

The parts books we use in the United States of America may also contain information about a part that would be different in another country. It is important that you are aware of the country codes in some instances.

Symbol	Country
A	United States of America
CA	Canada
FR	France
GR	Greece
PO	Portugal
AU	Australia

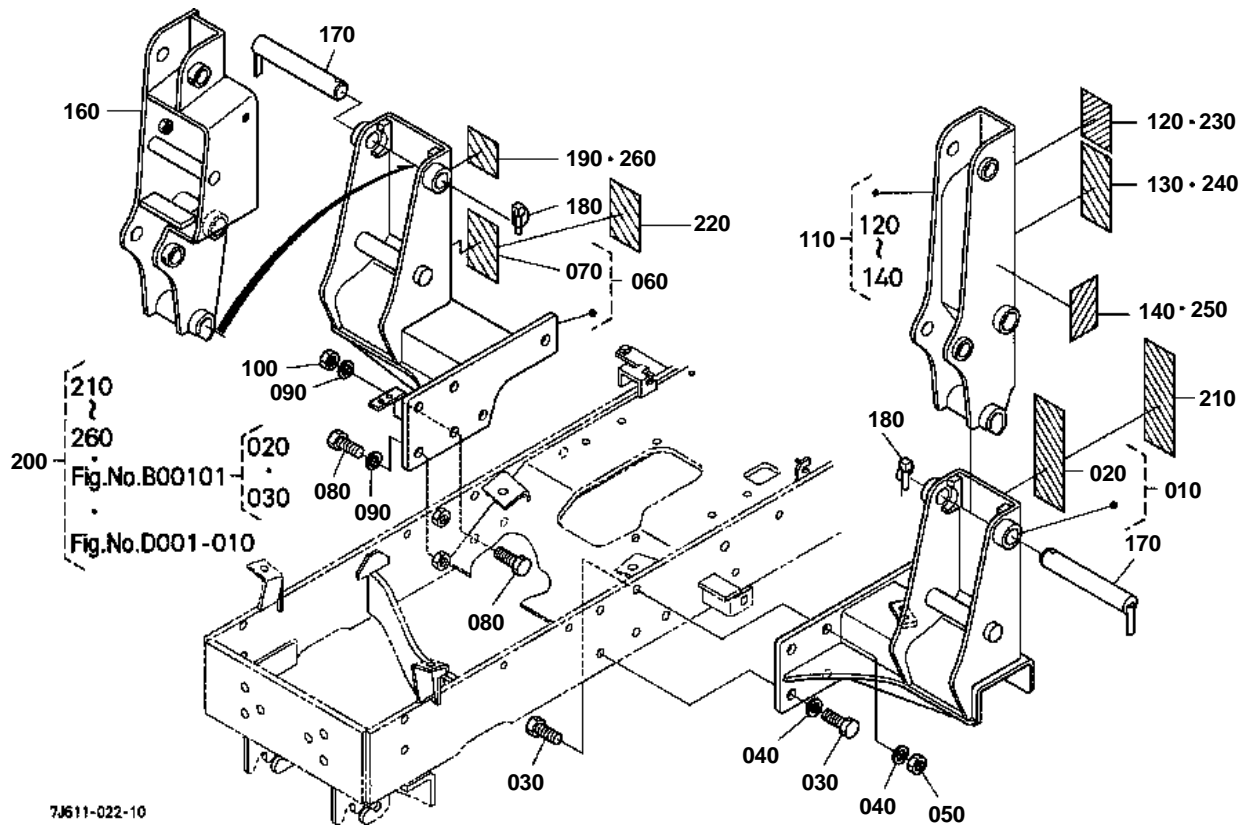
If the remarks column says for example EXCEPT [FR] this part works in all countries except France. That means it will work here in the USA.



OPTION

ACCESSORIES AND SERVICE PARTS

Item	Part No.	Description	Book	
CHASSIS	01A00101	MAIN FRAME [S.No.;A:<=29999]	100A0235	
	01A00102	MAIN FRAME [S.No.;4-POSITION C/V:>=30001 to 59999]	100A0235	
	01A00103	MAIN FRAME [3-POSITION C/V:S.No.; A:>=60001]	100A0235	
FRONT ATTACHMENTS CONTROL VALVE	01A010	BOOM	100A0235	
	01B00101	CONTROL VALVE [BX2013 3-POSITION C/V]	100A0235	
	01B00102	CONTROL VALVE [3-POSITION C/V]	100A0235	
	01B00103	CONTROL VALVE [BX2014 4-POSITION C/V]	100A0235	
	01B00104	CONTROL VALVE	100A0235	
	01B00501	CONTROL VALVE [COMPONENT PARTS][3-POSITION C/V]	100A0235	
	01B00502	CONTROL VALVE [COMPONENT PARTS] [4-POSITION C/V]	100A0235	
	01B00503	CONTROL VALVE [COMPONENT PARTS] [4-POSITION C/V]	100A0235	
	CONTROL LEVER	01B01301	CONTROL LEVER	100A0235
		01B01302	CONTROL LEVER	100A0235
01B01303		CONTROL LEVER	100A0235	
HYDRAULIC SYSTEM	01B015	CYLINDER/HYDRAULIC HOSE	100A0235	
	01B01601	HYDRAULIC HOSE 1 [3-POSITION C/V]	100A0235	
	01B01602	HYDRAULIC HOSE 1 [BX2014 4-POSITION C/V]	100A0235	
	01B01603	HYDRAULIC HOSE 2	100A0235	
	01B01604	HYDRAULIC HOSE [4-POSITION C/V]	100A0235	
	01B020	HYDRAULIC TUBE	100A0235	
	01B025	CYLINDER (BOOM)[COMPONENT PARTS]	100A0235	
	01B030	CYLINDER (BUCKET)[COMPONENT PARTS]	100A0235	
	01B03501	HYDRAULIC BLOCK	100A0235	
	01B03502	HYDRAULIC BLOCK	100A0235	
OPTION	01C001	FRONT GUARD [OPTION]	100A0235	
ACCESSORIES AND SERVICE PARTS	01D001	ACCESSORIES AND SERVICE PARTS	100A0235	

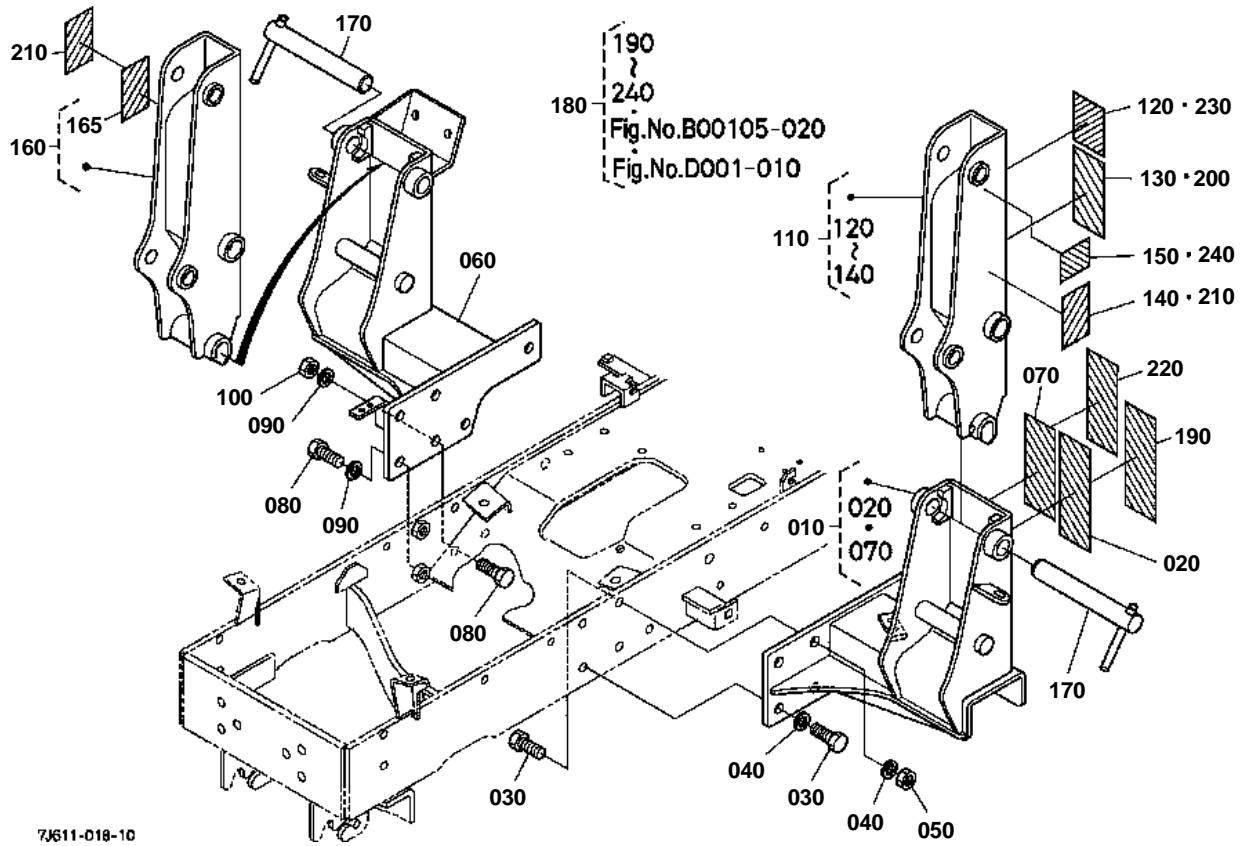




MAIN FRAME [S.No.;A:<=29999]

↔ Interchangeable; ≠ not interchangeable; ← new for old; → old for new

REF.No	Part No.	Description	Q'ty	S.No.	I/C	REMARKS	Weight (kgf)	Weight (lb)
010	75538-90190	FRAME MAIN LH(LABEL)	1			ENGLISH	0	0
020	75546-56410	LABEL DANGER 1	1	<=23755		ENGLISH	0	0
020	7J246-56410	LABEL DANGER 1	1	>=23756	←	ENGLISH	0.002	0.0044
030	75599-04630	HEX.BOLT	6			9/16-18UNF*1-1/2	0.067	0.1474
040	75599-33016	WASHER SPRING	6			9/16	0.08	0.176
050	75599-31066	HEX.NUT	3			9/16-18UNF	0.03	0.066
060	75538-90180	FRAME MAIN RH(LABEL)	1			ENGLISH	0	0
070	75546-56450	LABEL CAUTION 1	1	<=23755		ENGLISH	0.001	0.0022
070	7J246-56450	LABEL CAUTION 1	1	>=23756	←	ENGLISH	0.002	0.0044
080	75599-04630	HEX.BOLT	6			9/16-18UNF*1-1/2	0.067	0.1474
090	75599-33016	WASHER SPRING	6			9/16	0.08	0.176
100	75599-31066	HEX.NUT	3			9/16-18UNF	0.03	0.066
110	75538-90130	FRAME SIDE LH(LABEL)	1			ENGLISH	6.7	14.74
120	75567-56420	LABEL DANGER 2	1	<=23755		ENGLISH	0	0
120	7J246-56420	LABEL DANGER 2	1	>=23756	←	ENGLISH	0.001	0.0022
130	75546-56430	LABEL DANGER 3	1	<=23755		ENGLISH NOT SALE	0	0
130	7J246-56430	LABEL DANGER 3	1	>=23756	←	ENGLISH	0.002	0.0044
140	75546-56440	LABEL WARNING 1	1	<=23755		ENGLISH	0.002	0.0044
140	7J246-56442	LABEL WARNING 1	1	>=23756	←	ENGLISH	0.01	0.022
150	99999-99999	BLANK	0				0	0
160	75538-56030	FRAME SIDE RH	1				10.85	23.87
170	75548-56810	PIN	2				0.8	1.76
180	75548-56820	PIN LYNCH	2				0.045	0.099
190	75540-62360	LABEL CONTROL	1				0.001	0.0022
200	75538-95505	KIT FRENCH LA211	1			FRENCH	0.12	0.264
210	75546-99613	LABEL DANGER 1(F)	1			FRENCH	0.001	0.0022
220	75546-99654	LABEL CAUTION(F)	1			FRENCH	0.003	0.0066
230	75567-99622	LABEL DANGER 2(F)	1			FRENCH	0.003	0.0066
240	75546-99632	LABEL DANGER 3(F)	1			FRENCH	0.01	0.022
250	75546-99642	LABEL WARNING 1(F)	2			FRENCH	0.001	0.0022
260	75553-99640	LABEL CONTROL(F)	1			FRENCH	0.001	0.0022

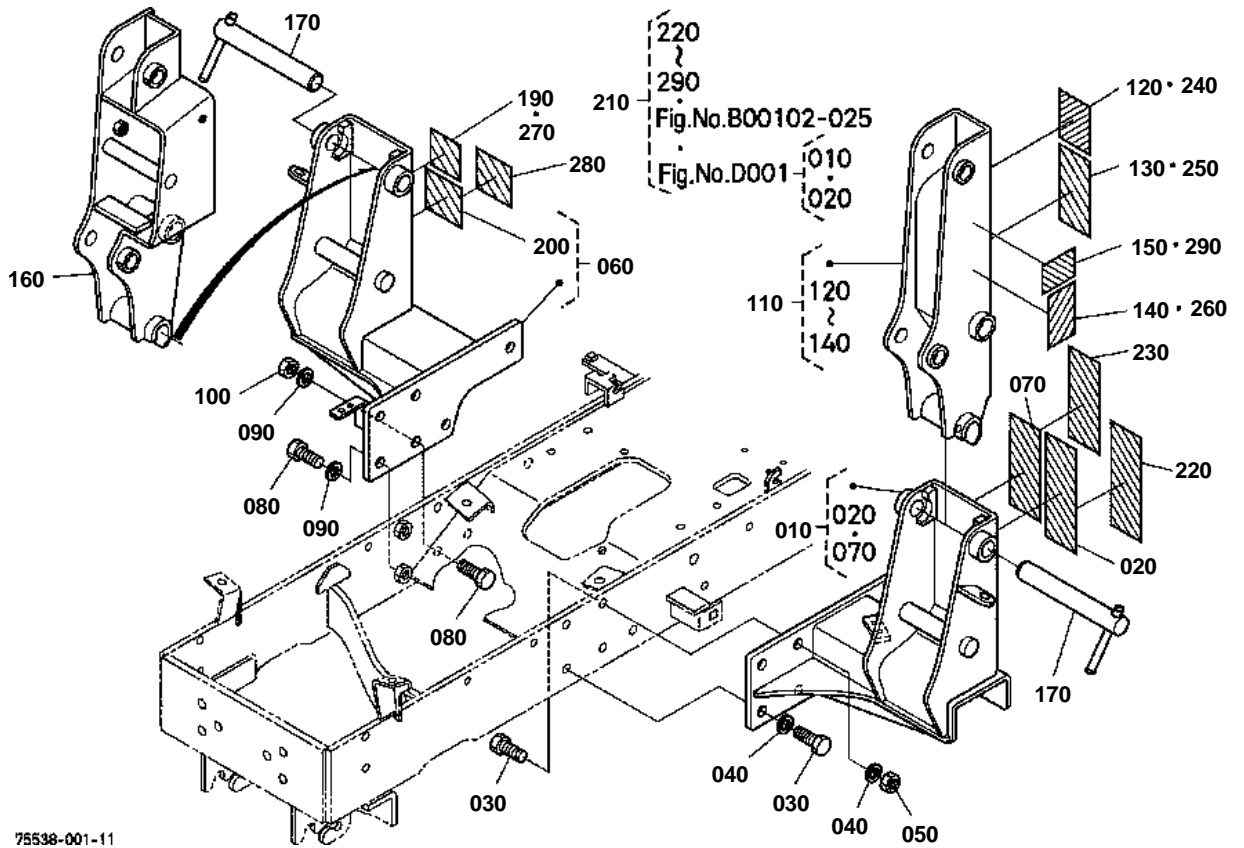




MAIN FRAME [S.No.;4-POSITION C/V:>=30001 to 59999]

↔ Interchangeable; ≠ not interchangeable; ← new for old; → old for new

REF.No	Part No.	Description	Q'ty	S.No.	I/C	REMARKS	Weight (kgf)	Weight (lb)
010	75538-90210	FRAME MAIN LH(LABEL)	1			ENGLISH	0	0
020	7J246-56410	LABEL DANGER 1	1			ENGLISH	0.002	0.0044
030	75599-04630	HEX.BOLT	6			9/16-18UNF*1-1/2	0.067	0.1474
040	75599-33016	WASHER SPRING	6			9/16	0.08	0.176
050	75599-31066	HEX.NUT	3			9/16-18UNF	0.03	0.066
060	75538-45030	FRAME MAIN RH	1				0	0
070	7J246-56450	LABEL CAUTION 1	1			ENGLISH	0.002	0.0044
080	75599-04630	HEX.BOLT	6			9/16-18UNF*1-1/2	0.067	0.1474
090	75599-33016	WASHER SPRING	6			9/16	0.08	0.176
100	75599-31066	HEX.NUT	3			9/16-18UNF	0.03	0.066
110	75538-90130	FRAME SIDE LH(LABEL)	1			ENGLISH	6.7	14.74
120	7J246-56420	LABEL DANGER 2	1			ENGLISH	0.001	0.0022
130	7J246-56430	LABEL DANGER 3	1			ENGLISH	0.002	0.0044
140	7J246-56442	LABEL WARNING 1	1			ENGLISH	0.01	0.022
150	75580-56370	LABEL LUBRICATE	1			ENGLISH	0.001	0.0022
160	75538-90140	FRAME SIDE RH(LABEL)	1			ENGLISH	0	0
165	7J246-56442	LABEL WARNING 1	1			ENGLISH	0.01	0.022
170	7J245-56810	PIN SPRING	2				0.8	1.76
180	75538-95512	KIT FRENCH LA211-1	1			FRENCH	0	0
190	75546-99613	LABEL DANGER 1(F)	1			FRENCH	0.001	0.0022
200	75546-99632	LABEL DANGER 3(F)	1			FRENCH	0.01	0.022
210	75546-99642	LABEL WARNING 1(F)	2			FRENCH	0.001	0.0022
220	75546-99654	LABEL CAUTION(F)	1			FRENCH	0.003	0.0066
230	75567-99622	LABEL DANGER 2(F)	1			FRENCH	0.003	0.0066
240	75580-95550	LABEL LUBRICATE FREN	1			FRENCH	0.001	0.0022



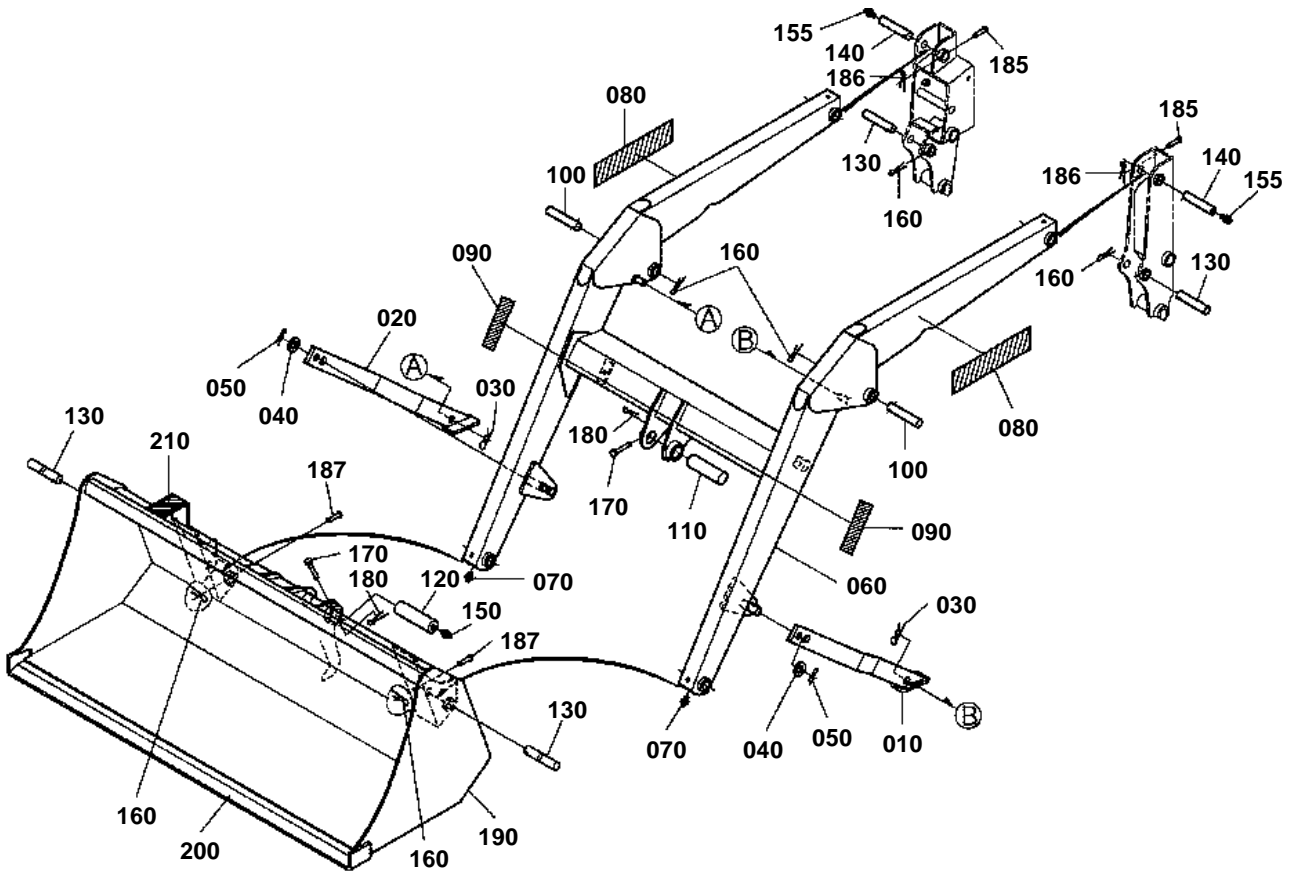


MAIN FRAME [3-POSITION C/V:S.No.;A:>=60001]

↔ Interchangeable; ≠ not interchangeable; ← new for old; → old for new

REF.No	Part No.	Description	Q'ty	S.No.	I/C	REMARKS	Weight (kgf)	Weight (lb)
010	75538-90113	FRAME MAIN LH(LABEL)	1			ENGLISH	14.2	31.24
020	7J246-56410	LABEL DANGER 1	1			ENGLISH	0.002	0.0044
030	75599-04630	HEX.BOLT	6			9/16-18UNF*1-1/2	0.067	0.1474
040	75599-33016	WASHER SPRING	6			9/16	0.08	0.176
050	75599-31066	HEX.NUT	3			9/16-18UNF	0.03	0.066
060	75538-90123	FRAME MAIN RH(LABEL)	1			ENGLISH	14	30.8
070	7J246-56450	LABEL CAUTION 1	1			ENGLISH	0.002	0.0044
080	75599-04630	HEX.BOLT	6			9/16-18UNF*1-1/2	0.067	0.1474
090	75599-33016	WASHER SPRING	6			9/16	0.08	0.176
100	75599-31066	HEX.NUT	3			9/16-18UNF	0.03	0.066
110	75538-90130	FRAME SIDE LH(LABEL)	1			ENGLISH	6.7	14.74
120	7J246-56420	LABEL DANGER 2	1			ENGLISH	0.001	0.0022
130	7J246-56430	LABEL DANGER 3	1			ENGLISH	0.002	0.0044
140	7J246-56442	LABEL WARNING 1	1			ENGLISH	0.01	0.022
150	75580-56370	LABEL LUBRICATE	1			ENGLISH	0.001	0.0022
160	7J610-56030	FRAME SIDE RH	1				10.7	23.54
170	7J245-56810	PIN SPRING	2				0.8	1.76
180	99999-99999	BLANK	0				0	0
190	7J266-62360	LABEL CONTROL	1				0.002	0.0044
200	7J266-56490	LABEL CAUTION 4	1			ENGLISH	0.001	0.0022
210	75538-95512	KIT FRENCH LA211-1	1			FRENCH	0	0
220	75546-99613	LABEL DANGER 1(F)	1			FRENCH	0.001	0.0022
230	75546-99654	LABEL CAUTION(F)	1			FRENCH	0.003	0.0066
240	75567-99622	LABEL DANGER 2(F)	1			FRENCH	0.003	0.0066
250	75546-99632	LABEL DANGER 3(F)	1			FRENCH	0.01	0.022
260	75546-99642	LABEL WARNING 1(F)	1			FRENCH	0.001	0.0022
270	75553-99640	LABEL CONTROL(F)	1			FRENCH	0.001	0.0022
280	7J266-99682	LABEL CAUTION 4(F)	1			FRENCH	0	0
290	75580-95550	LABEL LUBRICATE FREN	1			FRENCH	0.001	0.0022

BOOM



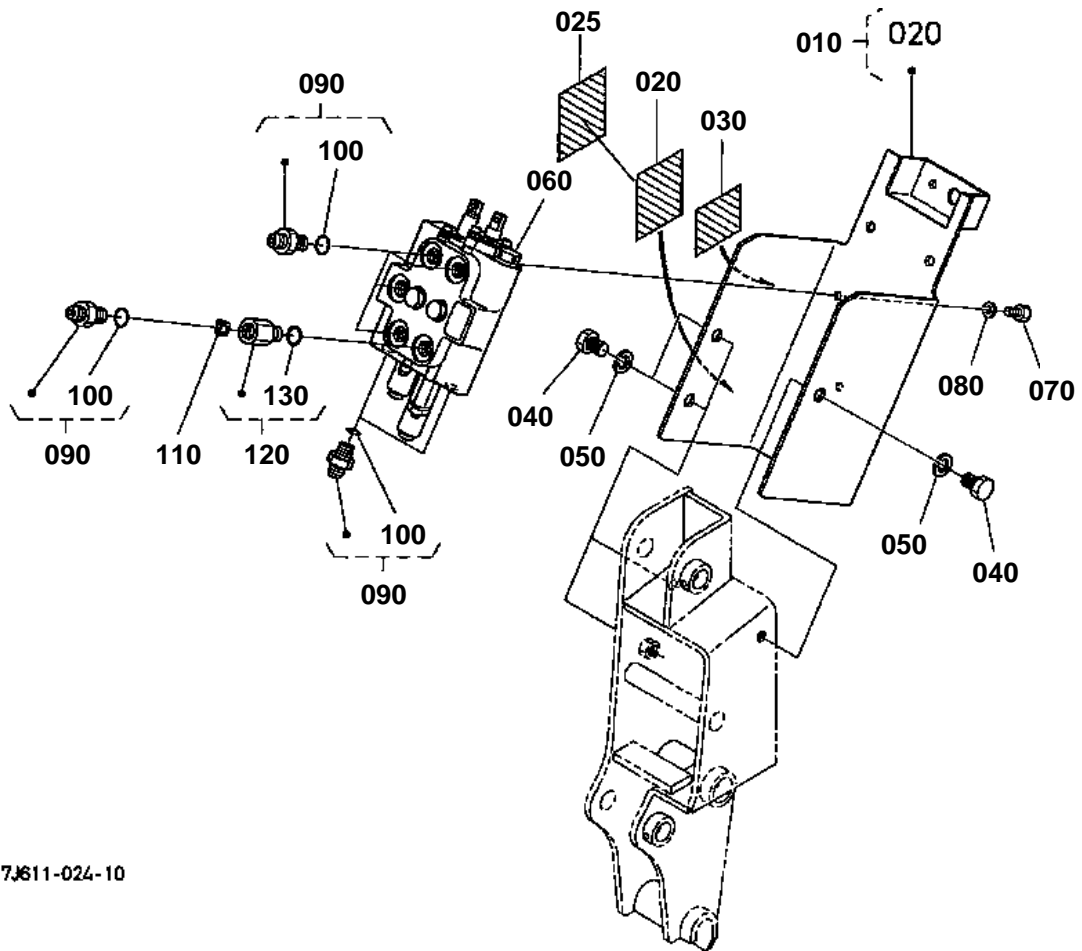
75538-007-11

**BOOM**

↔ Interchangeable; ≠ not interchangeable; ← new for old; → old for new

REF.No	Part No.	Description	Q'ty	S.No.	I/C	REMARKS	Weight (kgf)	Weight (lb)
010	75538-57550	STAND LH	1				3	6.6
020	75538-57560	STAND RH	1				2.92	6.424
030	75599-56006	HAIRPIN COTTER	2				0.01	0.022
040	75599-32017	WASHER PLAIN	2			5/8	0.014	0.0308
050	75599-53183	PIN COTTER	2			9/64*1	0.003	0.0066
060	75538-58012	BOOM	1	<=20501			0	0
060	75538-58013	BOOM	1	>=20502	←		0	0
060	75538-58014	BOOM	1	>=22806	←		0	0
060	75538-58015	BOOM	1	>=26181	≠		0	0
070	75599-81520	FITTING GREASE	2			1/4-28T.T.	0.003	0.0066
080	75580-58450	LABEL KUBOTA	2	<=29999			0.01	0.022
080	K2571-65120	LABEL KUBOTA	2	>=30001	≠		0	0
090	75538-58460	LABEL LA211	2	<=29999			0.002	0.0044
090	75538-48460	LABEL LA211	2	>=30001	≠		0	0
100	75532-58510	PIN 1	2				0.19	0.418
110	75567-58510	PIN 1	1				0.675	1.485
120	75563-58710	PIN 3	1				0.7	1.54
130	75532-58740	PIN 4	4				0.23	0.506
140	75538-58740	PIN 5	2				0.22	0.484
150	75599-81521	FITTING GREASE	3	<=21782		1/4-28T.T.	0.003	0.0066
150	75599-81521	FITTING GREASE	1	>=21783		1/4-28T.T.	0.003	0.0066
155	7J245-58120	FITTING GREASE	2	>=21783		90DEG.	0.001	0.0022
160	75599-53216	PIN COTTER	8	<=20501		3/16*1-3/4	0.008	0.0176
160	75599-53216	PIN COTTER	6	>=20502		3/16*1-3/4	0.008	0.0176
160	75599-53216	PIN COTTER	4	>=22333		3/16*1-3/4	0.008	0.0176
170	75582-58520	PIN CLEVIS	2			5/16*2-3/16	0.02	0.044
180	75599-53172	PIN COTTER	2			1/8*3/4	0.01	0.022
185	0Y510-50324	PIN CLEVIS	2	>=20502			0.01	0.022
185	0Y510-50324	PIN CLEVIS	4	>=22333			0.01	0.022
185	0Y510-50324	PIN CLEVIS	2	>=26671			0.01	0.022
186	75599-53152	PIN SPLIT	2	>=20502			0.001	0.0022
186	05511-50220	PIN SPLIT	4	>=22333			0.001	0.0022
187	7J611-58990	PIN JOINT	2	>=26671			0	0
190	75538-59012	BUCKET 48	1				0	0
200	75532-59320	EDGE CUTTING	1				6	13.2
210	75540-59450	LABEL LEVELER	1				0.001	0.0022

CONTROL VALVE [BX2013 3-POSITION C/V]



7.611-024-10

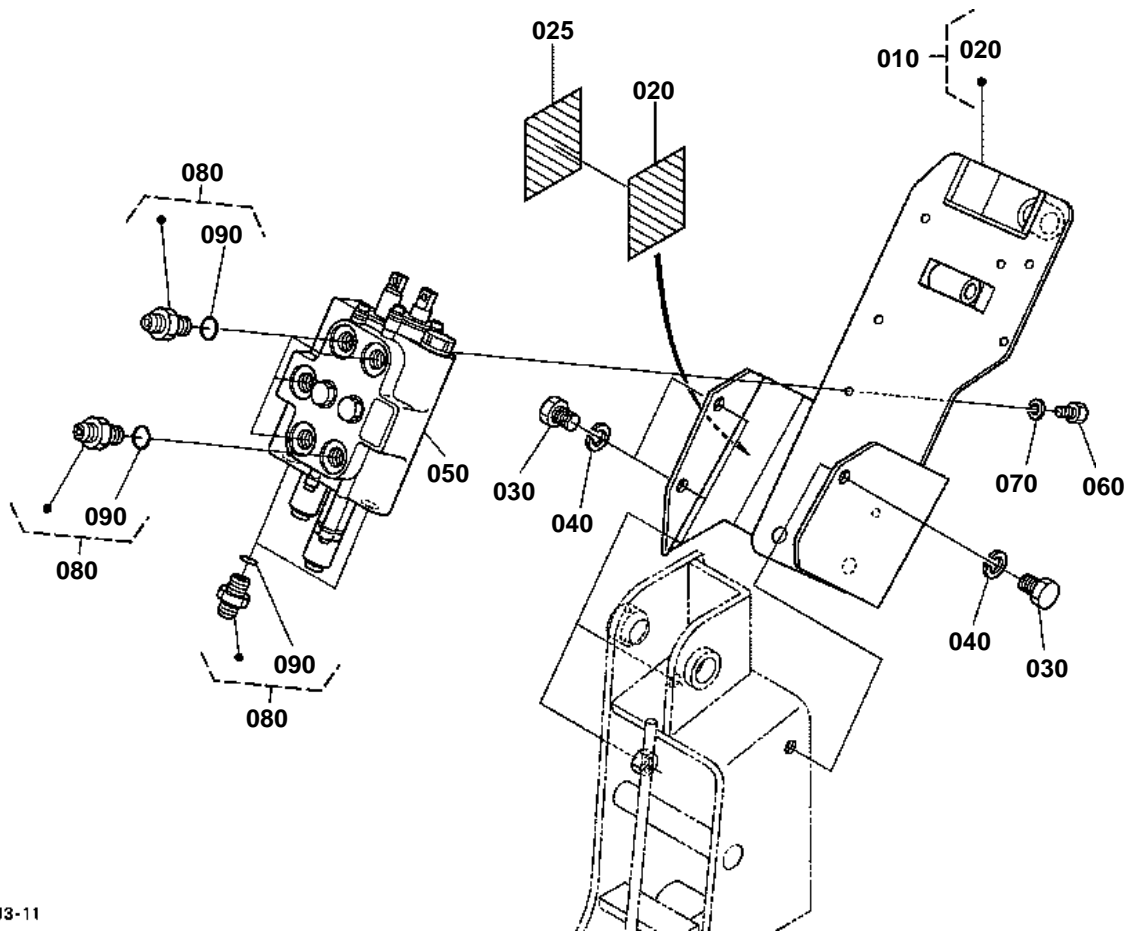
**CONTROL VALVE [BX2013 3-POSITION C/V]**

S.No.;<=29999

↔ Interchangeable; ≠ not interchangeable; ← new for old; → old for new

REF.No	Part No.	Description	Q'ty	S.No.	I/C	REMARKS	Weight (kgf)	Weight (lb)
010	75538-90150	STAY VALVE(LABEL)	1			ENGLISH	4.25	9.35
020	75546-56440	LABEL WARNING 1	1			ENGLISH	0.002	0.0044
025	75546-99642	LABEL WARNING 1(F)	1			FRENCH	0.001	0.0022
030	75580-56370	LABEL LUBRICATE	1			ENGLISH	0.001	0.0022
030	75580-95550	LABEL LUBRICATE FREN	1			FRENCH	0.001	0.0022
040	75599-03320	HEX.BOLT	3			3/8-16UNC*1	0.02	0.044
050	75599-33013	WASHER SPRING	3			3/8	0.006	0.0132
060	7J240-61010	VALVE CONTROL	1				7.5	16.5
070	75599-01115	HEX.BOLT	2			1/4-20UNC*3/4	0.007	0.0154
080	75599-33011	WASHER SPRING	2			1/4	0.002	0.0044
090	75540-61800	ASSY ADAPTER 1	7				0.06	0.132
100	75540-61820	O-RING	7				0.001	0.0022
110	75533-61880	THROTTLE	1				0.01	0.022
120	75595-63400	ASSY PLUG ORIFICE	1				0.08	0.176
130	75540-61820	O-RING	1				0.001	0.0022

CONTROL VALVE [3-POSITION C/V]



7J611-013-11

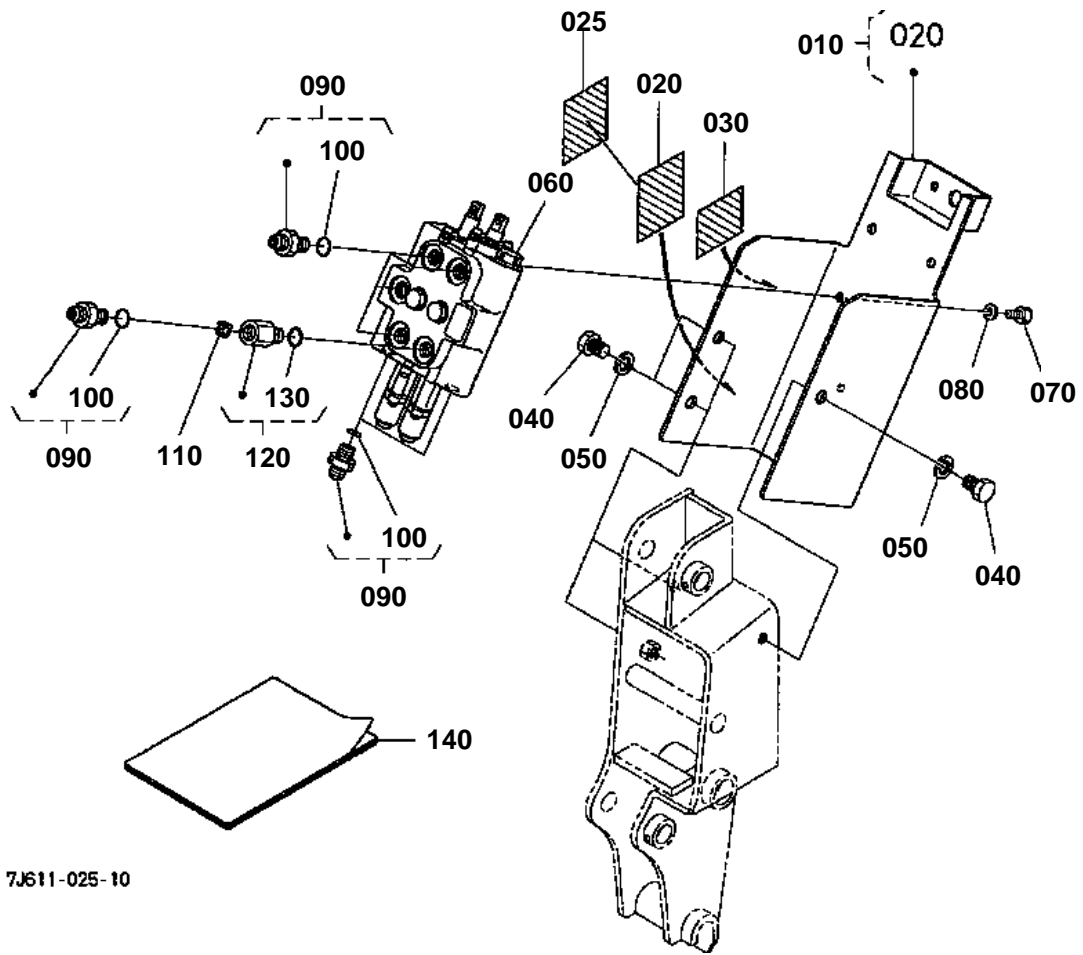


CONTROL VALVE [3-POSITION C/V]
S.No.;>=60001

↔ Interchangeable; ≠ not interchangeable; ← new for old; → old for new

REF.No	Part No.	Description	Q'ty	S.No.	I/C	REMARKS	Weight (kgf)	Weight (lb)
010	7J610-90152	STAY VALVE(LABEL)	1			ENGLISH	4	8.8
020	7J246-56442	LABEL WARNING 1	1			ENGLISH	0.01	0.022
025	75546-99642	LABEL WARNING 1(F)	1			FRENCH	0.001	0.0022
030	01073-51025	BOLT	3				0.025	0.055
040	04512-60100	WASHER SPRING	3				0.002	0.0044
050	7J240-61010	VALVE CONTROL	1				7.5	16.5
060	75599-01115	HEX.BOLT	2			1/4-20UNC*3/4	0.007	0.0154
070	75599-33011	WASHER SPRING	2			1/4	0.002	0.0044
080	75540-61800	ASSY ADAPTER 1	7				0.06	0.132
090	75540-61820	O-RING	7				0.001	0.0022

CONTROL VALVE [BX2014 4-POSITION C/V]



7J611-025-10

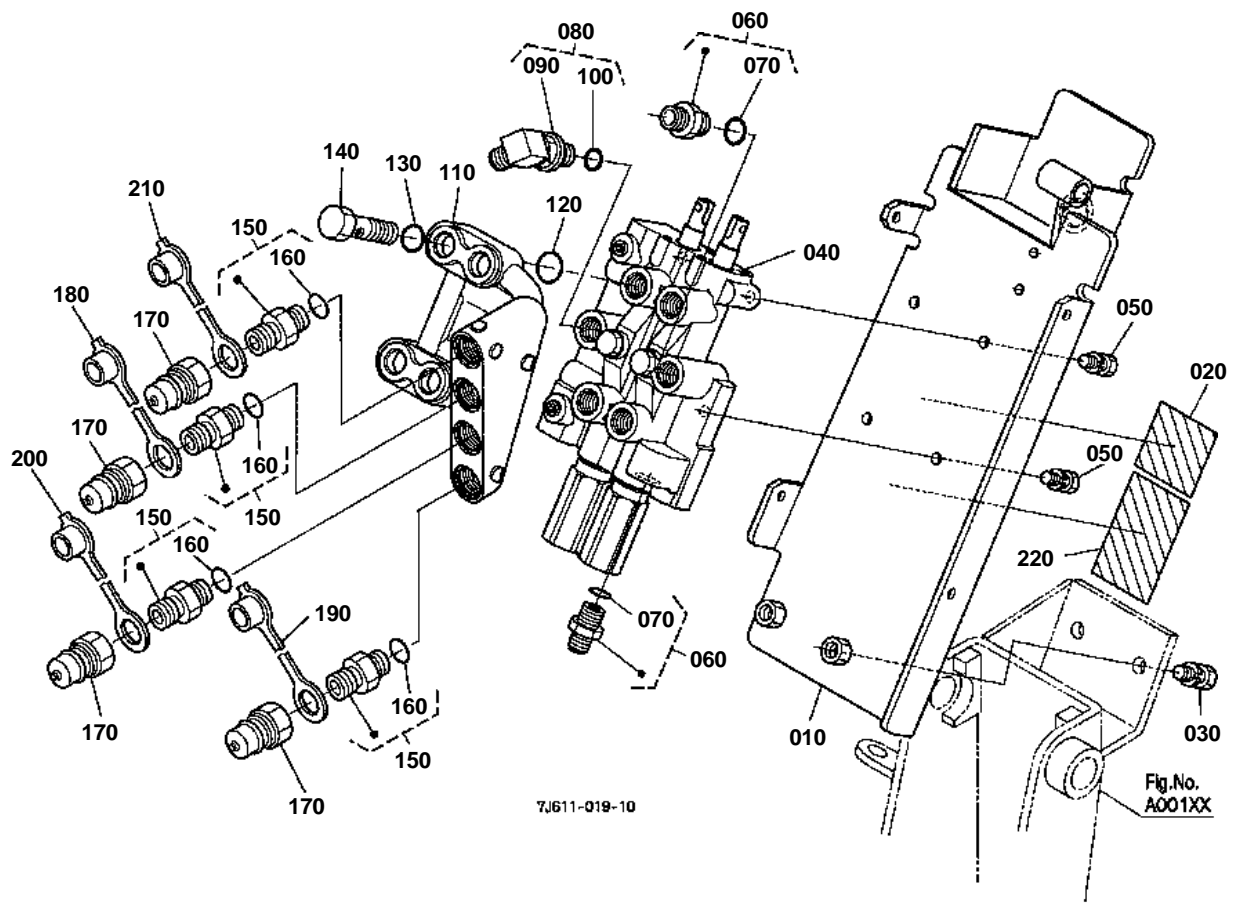
**CONTROL VALVE [BX2014 4-POSITION C/V]**

S.No.;<=29999

↔ Interchangeable; ≠ not interchangeable; ← new for old; → old for new

REF.No	Part No.	Description	Q'ty	S.No.	I/C	REMARKS	Weight (kgf)	Weight (lb)
010	75538-90150	STAY VALVE(LABEL)	1			ENGLISH	4.25	9.35
020	75546-56440	LABEL WARNING 1	1			ENGLISH	0.002	0.0044
025	75546-99642	LABEL WARNING 1(F)	1			FRENCH	0.001	0.0022
030	75580-56370	LABEL LUBRICATE	1			ENGLISH	0.001	0.0022
030	75580-95550	LABEL LUBRICATE FREN	1			FRENCH	0.001	0.0022
040	75599-03320	HEX.BOLT	3			3/8-16UNC*1	0.02	0.044
050	75599-33013	WASHER SPRING	3			3/8	0.006	0.0132
060	75532-62010	VALVE CONTROL	1				7.5	16.5
070	75599-01115	HEX.BOLT	2			1/4-20UNC*3/4	0.007	0.0154
080	75599-33011	WASHER SPRING	2			1/4	0.002	0.0044
090	75540-61800	ASSY ADAPTER 1	7				0.06	0.132
100	75540-61820	O-RING	7				0.001	0.0022
110	75533-61880	THROTTLE	1				0.01	0.022
120	75595-63400	ASSY PLUG ORIFICE	1				0.08	0.176
130	75540-61820	O-RING	1				0.001	0.0022
140	75538-78220	MANUAL INSTRUCTION	1				0.002	0.0044

CONTROL VALVE



7,611-019-10

Fig.No.
A001XX



CONTROL VALVE
S.No.;>=30001 to 59999

↔ Interchangeable; ≠ not interchangeable; ← new for old; → old for new

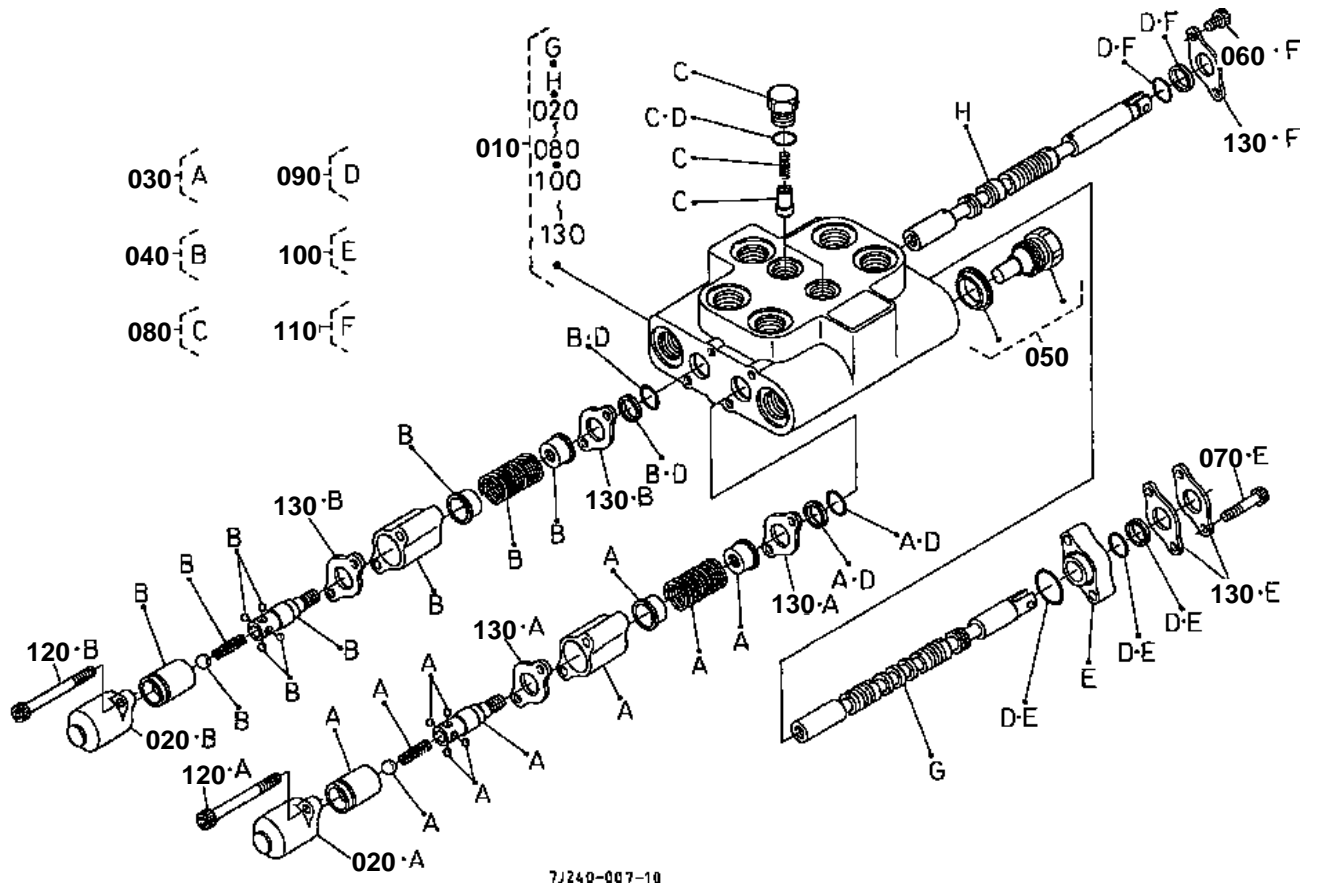
REF.No	Part No.	Description	Q'ty	S.No.	I/C	REMARKS	Weight (kgf)	Weight (lb)
010	75538-90250	STAY VALVE(LABEL)	1			ENGLISH	0	0
020	7J266-56490	LABEL CAUTION 4	1			ENGLISH	0.001	0.0022
020	7J266-99682	LABEL CAUTION(F)	1			FRENCH	0	0
030	01123-51230	BOLT	2				0.04	0.088
040	YW249-00100	ASSY VALVE CONTROL	1				0	0
050	01123-60820	BOLT	4				0.015	0.033
060	75540-61800	ASSY ADAPTER 1	2				0.06	0.132
070	75540-61820	O-RING	2				0.001	0.0022
080	75540-61900	ASSY ELBOW ADJUSTABL	1				0.11	0.242
090	75540-61910	ELBOW ADJUSTABLE	1				0.05	0.11
100	75540-61820	O-RING	1				0.001	0.0022
110	75538-61300	BLOCK ASSY HYDRAULIC	1				0	0
120	04817-00210	O RING	4				0.002	0.0044
130	75540-61820	O-RING	4				0.001	0.0022
140	75538-61320	BOLT JOINT	4				0	0
150	75532-61800	ASSY ADAPTER 2	4				0.06	0.132
160	75540-61820	O-RING	4				0.001	0.0022
170	75536-66220	NIPPLE	4				0.04	0.088
180	7J245-66410	3/8CAP DUST	1			BLUE	0.01	0.022
190	7J245-66420	3/8CAP DUST	1			YELLOW	0.017	0.0374
200	7J245-66430	3/8CAP DUST	1			RED	0.005	0.011
210	7J245-66440	3/8CAP DUST	1			WHITE	0.016	0.0352
220	7J266-62360	LABEL CONTROL	1				0.002	0.0044

**CONTROL VALVE [COMPONENT PARTS][3-POSITION C/V]**

↔ Interchangeable; ≠ not interchangeable; ← new for old; → old for new

REF.No	Part No.	Description	Q'ty	S.No.	I/C	REMARKS	Weight (kgf)	Weight (lb)
010	7J240-61010	VALVE CONTROL	1				7.5	16.5
020	75540-61450	CAP-SPOOL	2	<=27270		5028	0.032	0.0704
020	7J266-61450	CAP-SPOOL	2	>=27271	←	5028-6	0	0
030	75536-65400	KIT DETENT FLOAT	1				0.21	0.462
040	7J240-65100	KIT REGEN.	1				0.1	0.22
050	75546-65100	SHUT-OFF PLUG ASSY	1				0.1	0.22
060	75536-65700	CAP SCREW-SOC.HD.	2				0.002	0.0044
070	75540-61410	CAP SCREW-SOC.HD.	2			3426	0.01	0.022
080	75536-65200	KIT LOAD CHECK	2				0.03	0.066
090	75536-65300	KIT SEAL	1				0.006	0.0132
100	75536-65500	KIT UPPER BOOM SPOOL	1				0.102	0.2244
110	75536-65600	KIT UPPER BKT SPOOL	1				0.025	0.055
120	75536-65900	CAP SCREW-SOC.HD.	2				0.02	0.044
130	75540-61460	CAP SCREW-SOC.HD.	2			5035	0.001	0.0022
140	75540-61330	PLATE-SEAL	6			5012	0.012	0.0264

CONTROL VALVE [COMPONENT PARTS] [4-POSITION C/V]



7J240-007-10

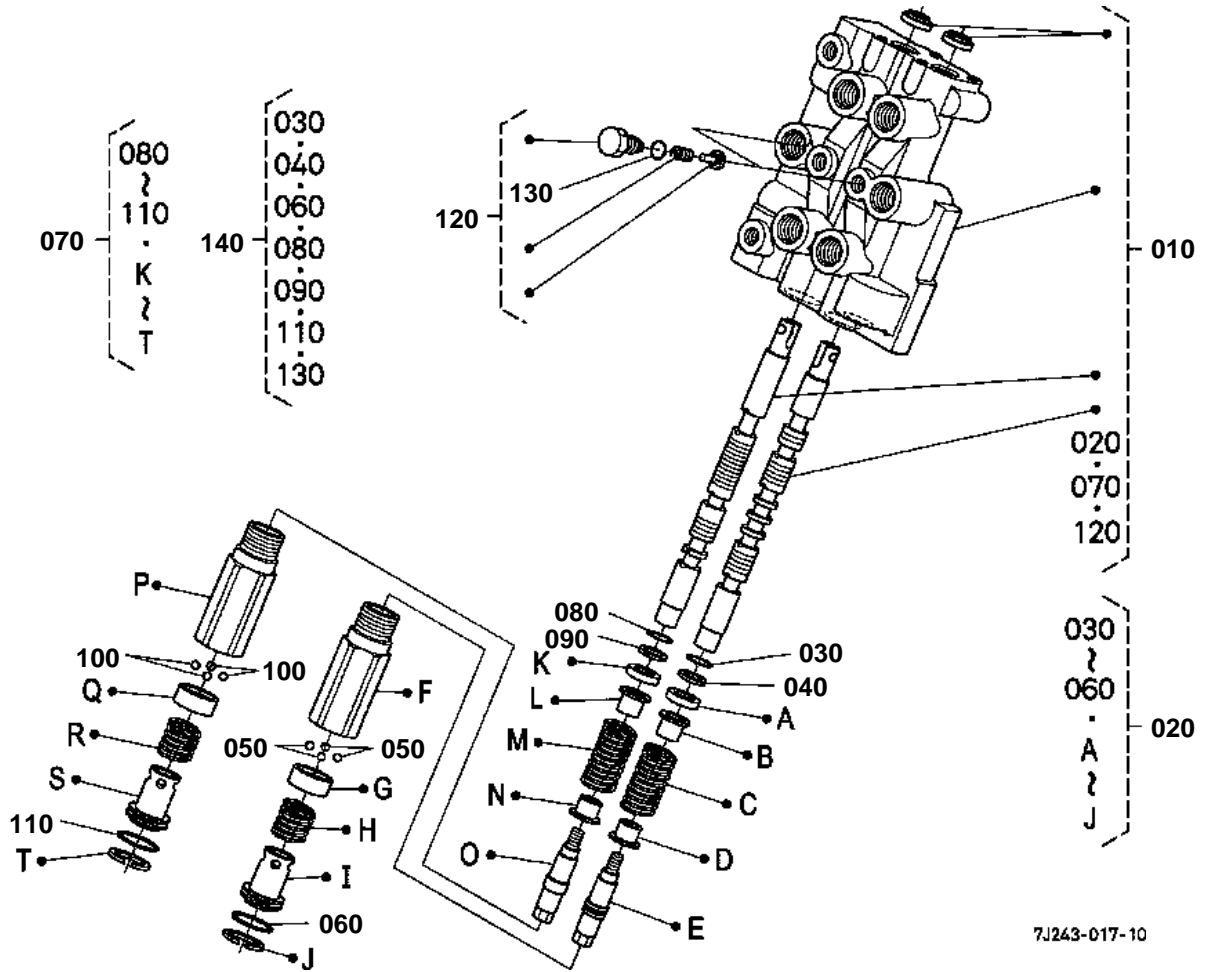
**CONTROL VALVE [COMPONENT PARTS] [4-POSITION C/V]**

S.No.;<=29999

↔ Interchangeable; ≠ not interchangeable; ← new for old; → old for new

REF.No	Part No.	Description	Q'ty	S.No.	I/C	REMARKS	Weight (kgf)	Weight (lb)
010	75532-62010	VALVE CONTROL	1				7.5	16.5
020	75540-61450	CAP-SPOOL	2			5028	0.032	0.0704
030	75536-65400	KIT DETENT FLOAT	1				0.21	0.462
040	75536-65100	KIT DETENT REGEN.	1				0.23	0.506
050	75546-65100	SHUT-OFF PLUG ASSY	1				0.1	0.22
060	75536-65700	CAP SCREW-SOC.HD.	2				0.002	0.0044
070	75540-61410	CAP SCREW-SOC.HD.	2			3426	0.01	0.022
080	75536-65200	KIT LOAD CHECK	2				0.03	0.066
090	75536-65300	KIT SEAL	1				0.006	0.0132
100	75536-65500	KIT UPPER BOOM SPOOL	1				0.102	0.2244
110	75536-65600	KIT UPPER BKT SPOOL	1				0.025	0.055
120	75536-65900	CAP SCREW-SOC.HD.	4				0.02	0.044
130	75540-61330	PLATE-SEAL	7			5012	0.012	0.0264

CONTROL VALVE [COMPONENT PARTS] [4-POSITION C/V]



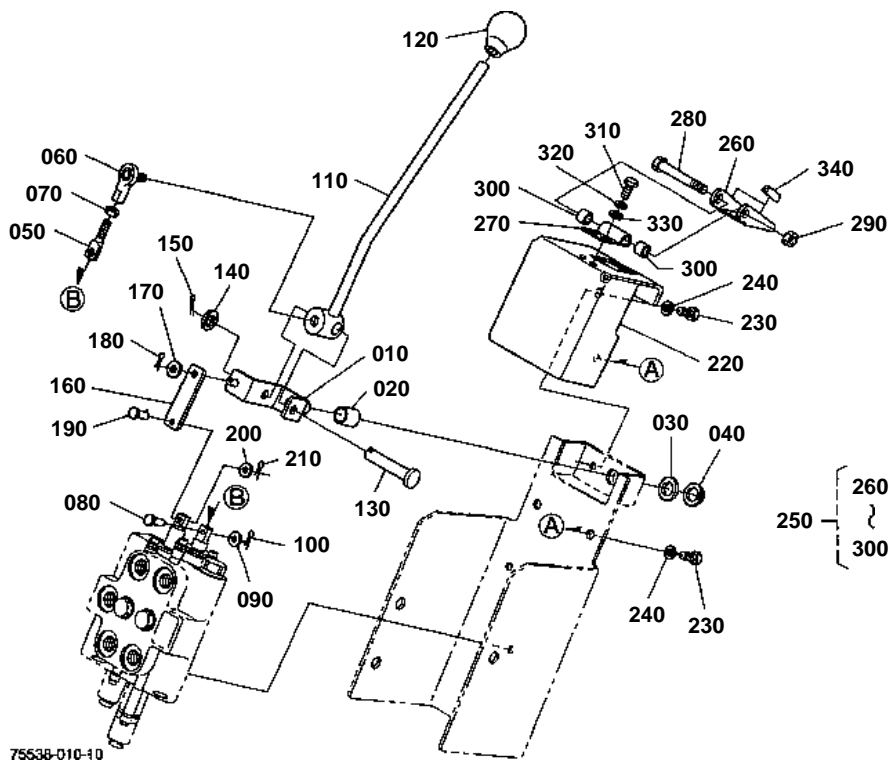
**CONTROL VALVE [COMPONENT PARTS] [4-POSITION C/V]**

S.No.;>=30001 to 59999

↔ Interchangeable; ≠ not interchangeable; ← new for old; → old for new

REF.No	Part No.	Description	Q'ty	S.No.	I/C	REMARKS	Weight (kgf)	Weight (lb)
010	YW249-00100	ASSY VALVE CONTROL	1				0	0
020	YW232-91100	KIT PLUG DETENT 1	1				0	0
030	04817-00140	O RING	1				0.001	0.0022
040	34076-66250	RING BACK UP	1				0.005	0.011
050	07715-01603	BALL	4				0.001	0.0022
060	04817-06250	O RING	1				0.001	0.0022
070	YW242-92100	KIT PLUG DETENT 2	1				0	0
080	04817-00140	O RING	1				0.001	0.0022
090	34076-66250	RING BACK UP	1				0.005	0.011
100	07715-01603	BALL	4				0.001	0.0022
110	04817-06250	O RING	1				0.001	0.0022
120	YW232-93100	KIT VALVE LOAD CHECK	2				0	0
130	04817-00100	O RING	1				0.001	0.0022
140	YW242-94100	KIT SEAL	1				0	0

CONTROL LEVER



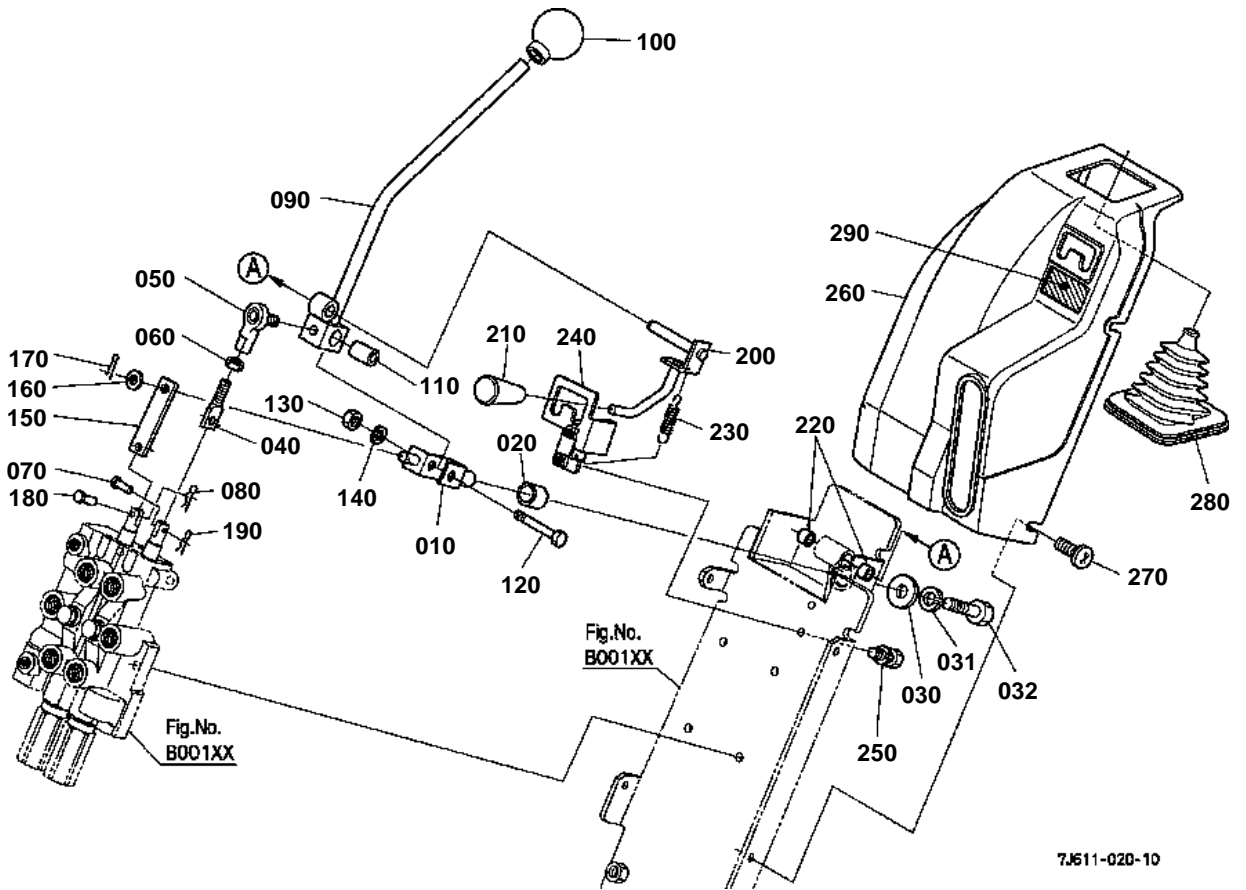


CONTROL LEVER
S.No.;<=29999

↔ Interchangeable; ≠ not interchangeable; ← new for old; → old for new

REF.No	Part No.	Description	Q'ty	S.No.	I/C	REMARKS	Weight (kgf)	Weight (lb)
010	75532-62110	LEVER	1				0.13	0.286
020	75540-62140	BUSHING	1				0.01	0.022
030	75545-62150	COLLAR	1			5/8	0.014	0.0308
040	75599-41522	CIR-CLIP EXTERNAL	1			5/8	0.001	0.0022
050	75536-62160	ROD 1	1				0.002	0.0044
060	75532-62260	JOINT ROD END	1				0.05	0.11
070	75599-31042	HEX.JAM NUT	1				0.003	0.0066
080	75540-62190	PIN	1				0.018	0.0396
090	75599-32009	WASHER PLAIN	1			3/16	0.001	0.0022
100	75599-53111	PIN COTTER	1			1/32*1/2	0.001	0.0022
110	75538-62210	LEVER CONTROL	1				0.498	1.0956
120	31355-82520	GRIP LEVER	1				0.05	0.11
130	75599-51540	PIN CLEVIS	1			1/2*2	0.054	0.1188
140	75599-32015	WASHER PLAIN	1			1/2	0.01	0.022
150	75599-53173	PIN COTTER	1			1/8*1	0.002	0.0044
160	75536-62280	ROD 2	1				0.03	0.066
170	75599-32012	WASHER PLAIN	1			5/16	0.002	0.0044
180	75599-53152	PIN COTTER	1			3/32*3/4	0.001	0.0022
190	75540-62190	PIN	1				0.018	0.0396
200	75599-32009	WASHER PLAIN	1			3/16	0.001	0.0022
210	75599-53111	PIN COTTER	1			1/32*1/2	0.001	0.0022
220	75536-62310	COVER	1				0.91	2.002
230	75599-01215	HEX.BOLT	3			5/16-18UNC*3/4	0.011	0.0242
240	75599-33012	WASHER SPRING	3			5/16	0.002	0.0044
250	75548-62400	ASSY LIMITER	1				0.12	0.264
260	75540-62410	PLATE LIMITER	1				0.05	0.11
270	75548-62420	HINGE	1				0.026	0.0572
280	75599-01255	HEX.BOLT	1			5/16-18UNC*2-3/4	0.034	0.0748
290	75599-31912	NUT LOCKING	1			5/16	0.006	0.0132
300	75548-62440	CUSHION RUBBER	2				0.003	0.0066
310	75599-01212	HEX.BOLT	2			5/16-18UNC*5/8	0.012	0.0264
320	75599-33012	WASHER SPRING	2			5/16	0.002	0.0044
330	75599-32012	WASHER PLAIN	2			5/16	0.002	0.0044
340	75540-62450	CUSHION 1 RUBBER	2				0.001	0.0022

CONTROL LEVER



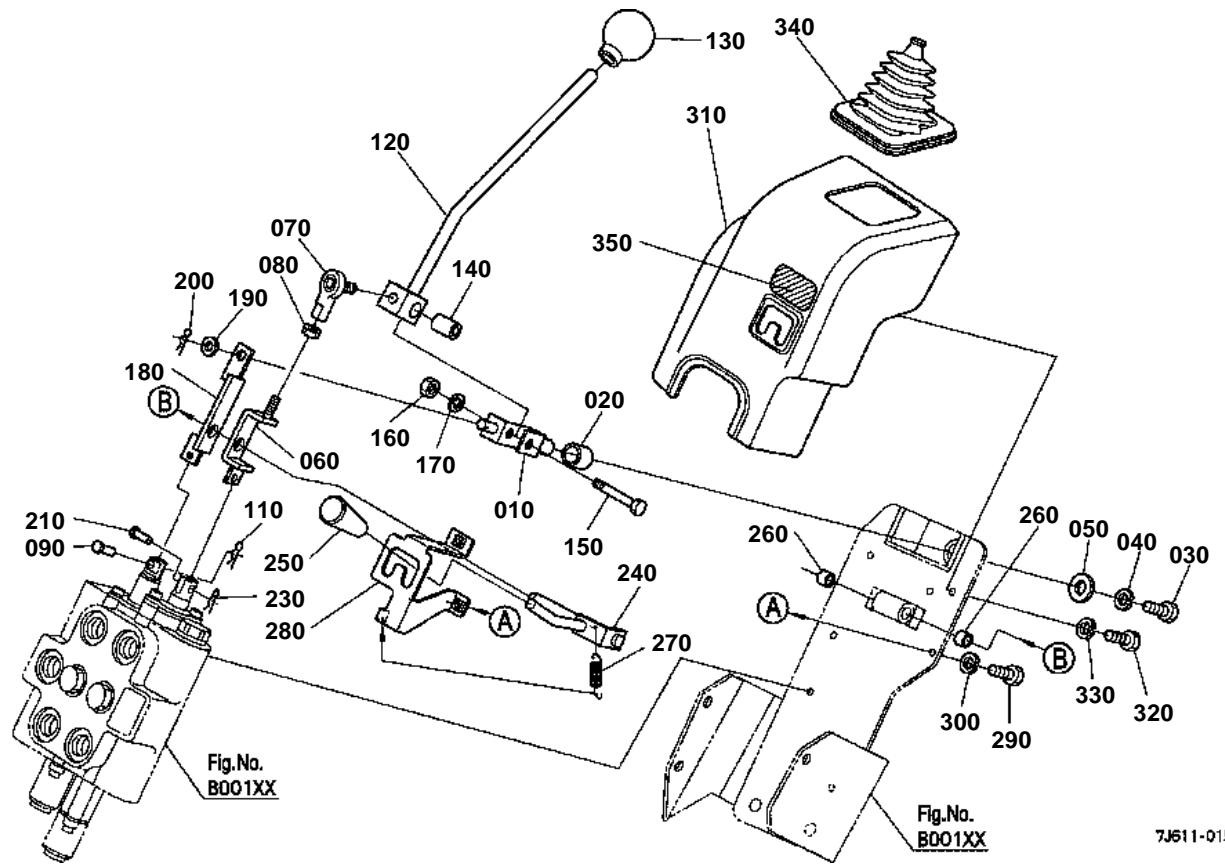


CONTROL LEVER
S.No.;>=30001 to 59999

↔ Interchangeable; ≠ not interchangeable; ← new for old; → old for new

REF.No	Part No.	Description	Q'ty	S.No.	I/C	REMARKS	Weight (kgf)	Weight (lb)
010	75538-62110	LEVER	1				0	0
020	08511-01625	BUSH	1				0.01	0.022
030	04015-60080	WASHER PLAIN	1				0.01	0.022
031	04512-60080	WASHER SPRING	1				0.002	0.0044
032	01153-60818	BOLT	1				0	0
040	75536-62160	ROD 1	1				0.002	0.0044
050	75532-62260	JOINT ROD END	1				0.05	0.11
060	75599-31022	NUT	1				0.015	0.033
070	75540-62190	PIN	1				0.018	0.0396
080	05525-60500	PIN SNAP	1				0.001	0.0022
090	75538-62220	LEVER CONTROL	1				0	0
100	31355-82520	GRIP LEVER	1				0.05	0.11
110	7J266-72150	SLEEVE	1				0.001	0.0022
120	01073-51050	BOLT	1				0.038	0.0836
130	02018-50100	NUT	1				0.011	0.0242
140	04512-60100	WASHER SPRING	1				0.002	0.0044
150	75536-62280	ROD 2	1				0.03	0.066
160	75599-32012	WASHER PLAIN	1				0.002	0.0044
170	75599-53152	PIN COTTER	1				0.001	0.0022
180	75540-62190	PIN	1				0.018	0.0396
190	05525-60500	PIN SNAP	1				0.001	0.0022
200	75538-62410	LEVER LOCK	1				0	0
210	06914-00100	GRIP LEVER	1				0.02	0.044
220	08511-01210	BUSH	2				0.005	0.011
230	7J266-62813	SPRING LOCK	1				0.001	0.0022
240	75538-62510	GUIDE LEVER	1				0	0
250	01023-60616	BOLT	2				0.005	0.011
260	75538-62310	COVER	1				0	0
270	K2561-57160	SCREW CR-REC-BD-HD	4				0.01	0.022
280	7J266-62710	BOOT CONTROL LEVER	1				0.01	0.022
290	7J266-62910	LABEL C/V LOCK	1				0.001	0.0022

CONTROL LEVER



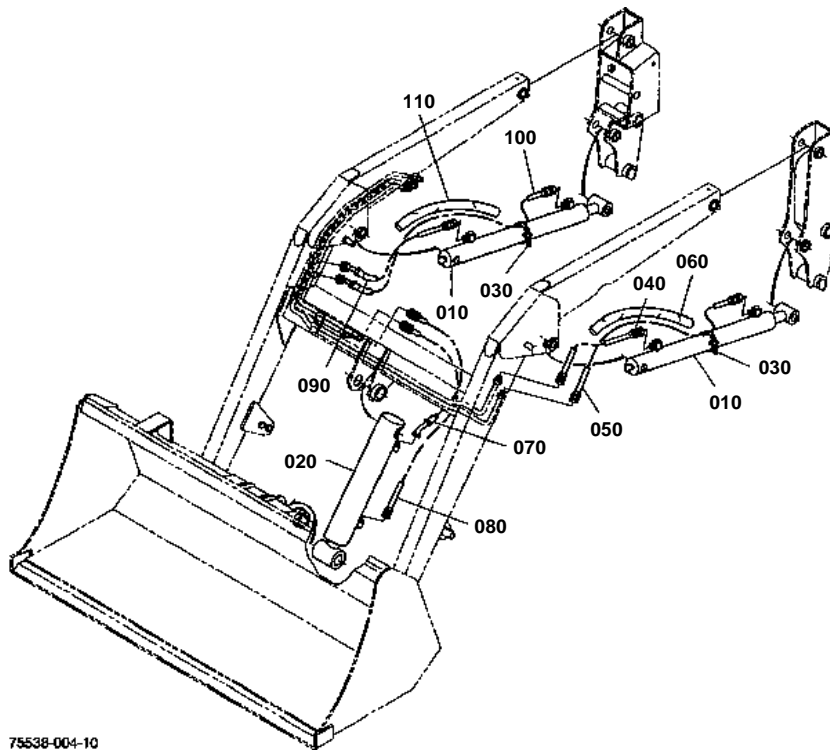
7J611-015-12



CONTROL LEVER
S.No.;>=60001

↔ Interchangeable; ≠ not interchangeable; ← new for old; → old for new

REF.No	Part No.	Description	Q'ty	S.No.	I/C	REMARKS	Weight (kgf)	Weight (lb)
010	7J266-62115	LEVER	1				0.18	0.396
020	08511-01625	BUSH	1				0.01	0.022
030	01053-50818	BOLT	1				0.011	0.0242
040	04512-60080	WASHER SPRING	1				0.002	0.0044
050	04015-60080	WASHER PLAIN	1				0.01	0.022
060	7J266-62163	LEVER 1 LOCK	1				0.102	0.2244
070	75532-62260	JOINT ROD END	1				0.05	0.11
080	75599-31022	NUT	1			5/16-24UNF	0.015	0.033
090	75540-62190	PIN	1				0.018	0.0396
100	99999-99999	BLANK	0				0	0
110	05525-60500	PIN SNAP	1				0.001	0.0022
120	7J610-62210	LEVER CONTROL	1				0.48	1.056
130	31355-82520	GRIP LEVER	1				0.05	0.11
140	7J266-72150	SLEEVE	1				0.001	0.0022
150	01073-51050	BOLT	1				0.038	0.0836
160	02018-50100	NUT	1				0.011	0.0242
170	04512-60100	WASHER SPRING	1				0.002	0.0044
180	7J266-62283	LEVER 2 LOCK	1				0.11	0.242
190	04013-60100	WASHER PLAIN	1				0.003	0.0066
200	05525-61000	PIN SNAP	1				0.002	0.0044
210	75540-62190	PIN	1				0.018	0.0396
220	99999-99999	BLANK	0				0	0
230	05525-60500	PIN SNAP	1				0.001	0.0022
240	7J266-62414	LEVER LOCK	1				0.16	0.352
250	06914-00100	GRIP LEVER	1				0.02	0.044
260	08511-01210	BUSH	2				0.005	0.011
270	7J266-62813	SPRING LOCK	1				0.001	0.0022
280	7J266-62510	GUIDE LEVER	1				0.2	0.44
290	01053-50616	BOLT	2				0.005	0.011
300	04512-60060	WASHER SPRING	2				0.001	0.0022
310	7J266-62315	COVER	1				0.01	0.022
320	01053-50616	BOLT	3				0.005	0.011
330	04512-60060	WASHER SPRING	3				0.001	0.0022
340	7J266-62710	BOOT CONTROL LEVER	1				0.01	0.022
350	7J266-62910	LABEL C/V LOCK	1				0.001	0.0022



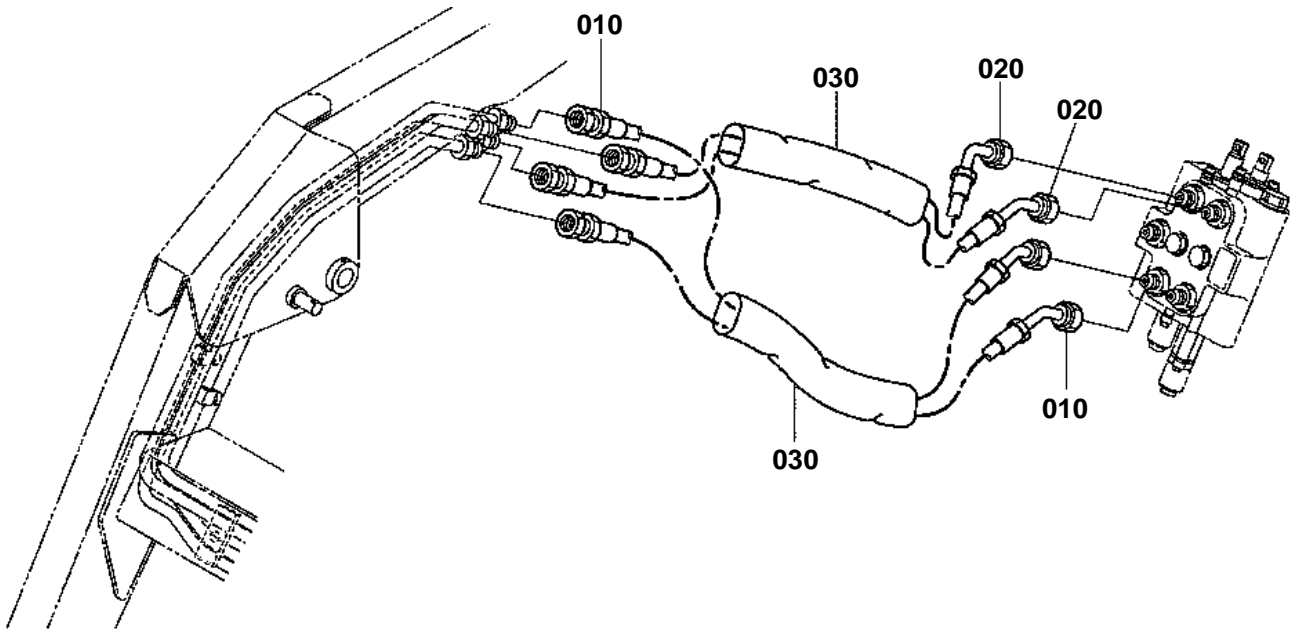
75538-004-10

**CYLINDER/HYDRAULIC HOSE**

↔ Interchangeable; ≠ not interchangeable; ← new for old; → old for new

REF.No	Part No.	Description	Q'ty	S.No.	I/C	REMARKS	Weight (kgf)	Weight (lb)
010	75538-63010	CYLINDER 1	2	<=26180			0.007	0.0154
010	75538-63110	CYLINDER 1	2	>=26181	←		0	0
020	75538-64010	CYLINDER 2	1	<=26180			8	17.6
020	75538-64110	CYLINDER 2	1	>=26181	←		0	0
030	75590-64650	BAND CODE	2				0.01	0.022
040	75538-66610	HOSE 8 LH HYDRAULIC	1				0.16	0.352
050	75538-66620	HOSE 9 LH HYDRAULIC	1				0.23	0.506
060	75538-66670	SLEEVE	1			23.0	0.04	0.088
070	75538-66630	HOSE 10 HYDRAULIC	1				0.2	0.44
080	75538-66640	HOSE 11 HYDRAULIC	1				0.2	0.44
090	75538-66650	HOSE 8 RH HYDRAULIC	1				0.17	0.374
100	75538-66660	HOSE 9 RH HYDRAULIC	1				0.25	0.55
110	75538-66670	SLEEVE	1			23.0	0.04	0.088

HYDRAULIC HOSE 1 [3-POSITION C/V]



7J611-009-11

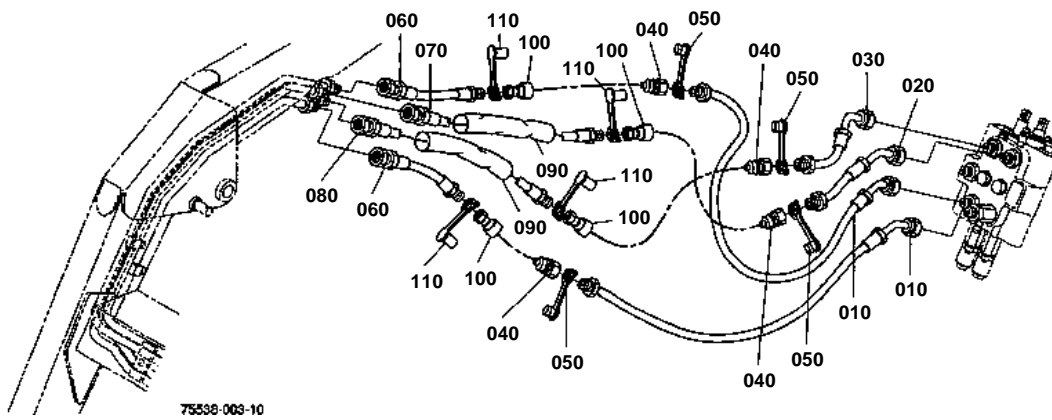


HYDRAULIC HOSE 1 [3-POSITION C/V]

↔ Interchangeable; ≠ not interchangeable; ← new for old; → old for new

REF.No	Part No.	Description	Q'ty	S.No.	I/C	REMARKS	Weight (kgf)	Weight (lb)
010	75538-66110	HOSE 1 HYDRAULIC	2				0.249	0.5478
020	75538-66120	HOSE 2 HYDRAULIC	2				0.3	0.66
030	75596-64120	SLEEVE 1	2				0.05	0.11

HYDRAULIC HOSE 1 [BX2014 4-POSITION C/V]



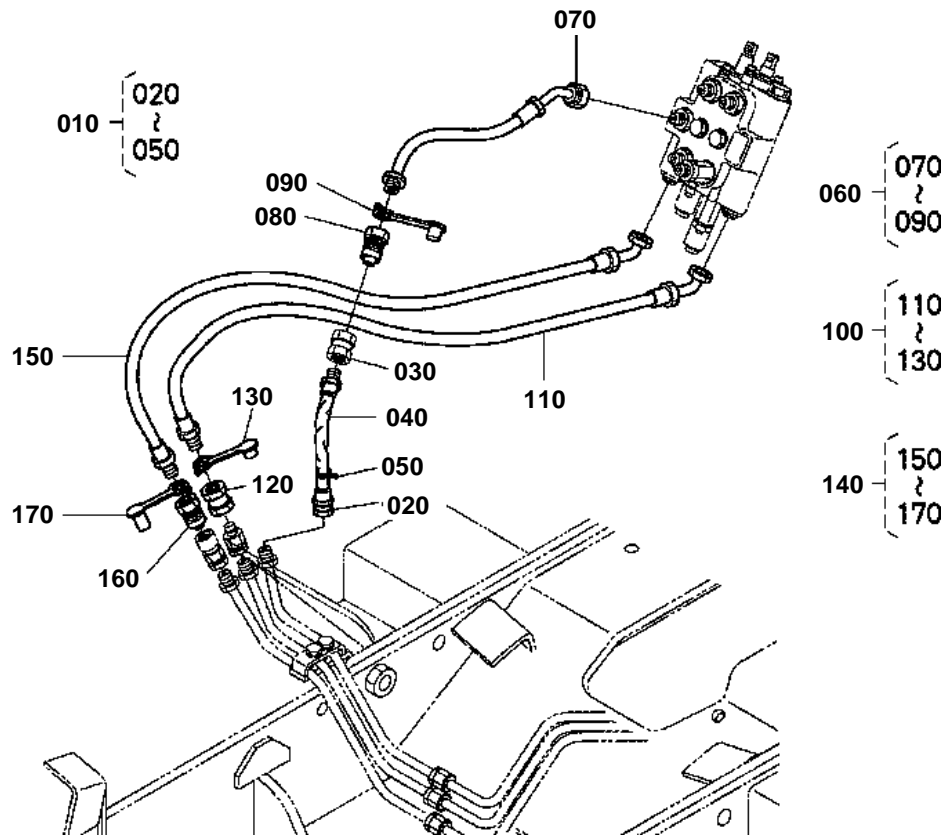


HYDRAULIC HOSE 1 [BX2014 4-POSITION C/V]
S.No.;<=26670

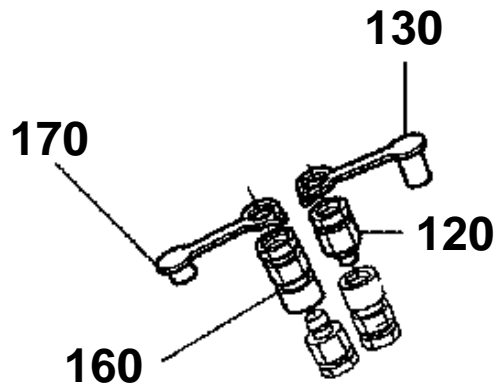
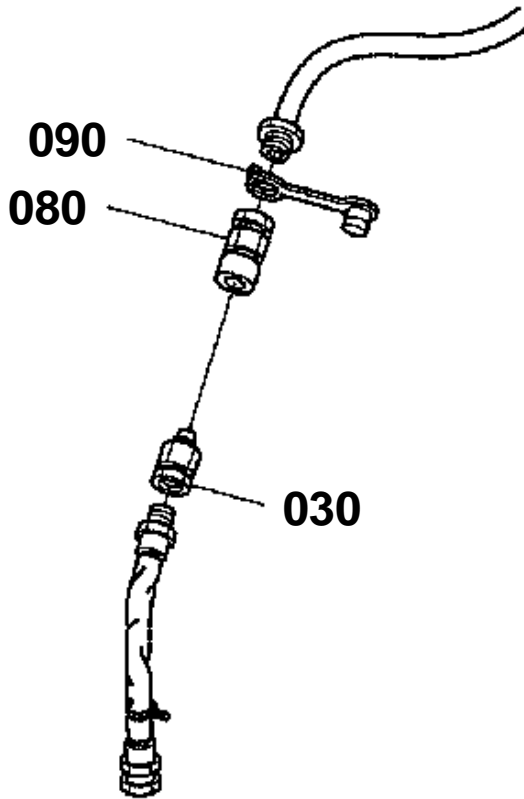
↔ Interchangeable; ≠ not interchangeable; ← new for old; → old for new

REF.No	Part No.	Description	Q'ty	S.No.	I/C	REMARKS	Weight (kgf)	Weight (lb)
010	75538-76110	HOSE 1 HYDRAULIC	2				0.2	0.44
020	75538-76120	HOSE 2 BOR HYDRAULIC	1				0.15	0.33
030	75538-76130	HOSE 2 BKB HYDRAULIC	1				0.15	0.33
040	75536-66220	NIPPLE	4			72N4-4F	0.04	0.088
050	75536-66430	CAP DUST(72PDC-4)	4			72PDC-4B	0.014	0.0308
060	75538-76140	HOSE 3 HYDRAULIC	2				0.11	0.242
070	75538-76150	HOSE 3 BOR HYDRAULIC	1				0.16	0.352
080	75538-76160	HOSE 3 BKB HYDRAULIC	1				0.2	0.44
090	75538-76170	SLEEVE	2			14.0	0.024	0.0528
100	75536-66320	COUPLER	4			72C4-4F	0.13	0.286
110	75536-66330	PLUG DUST(72PDP-4)	4			72PDP-4	0.011	0.0242

HYDRAULIC HOSE 2



OLD PART



75538-801-10

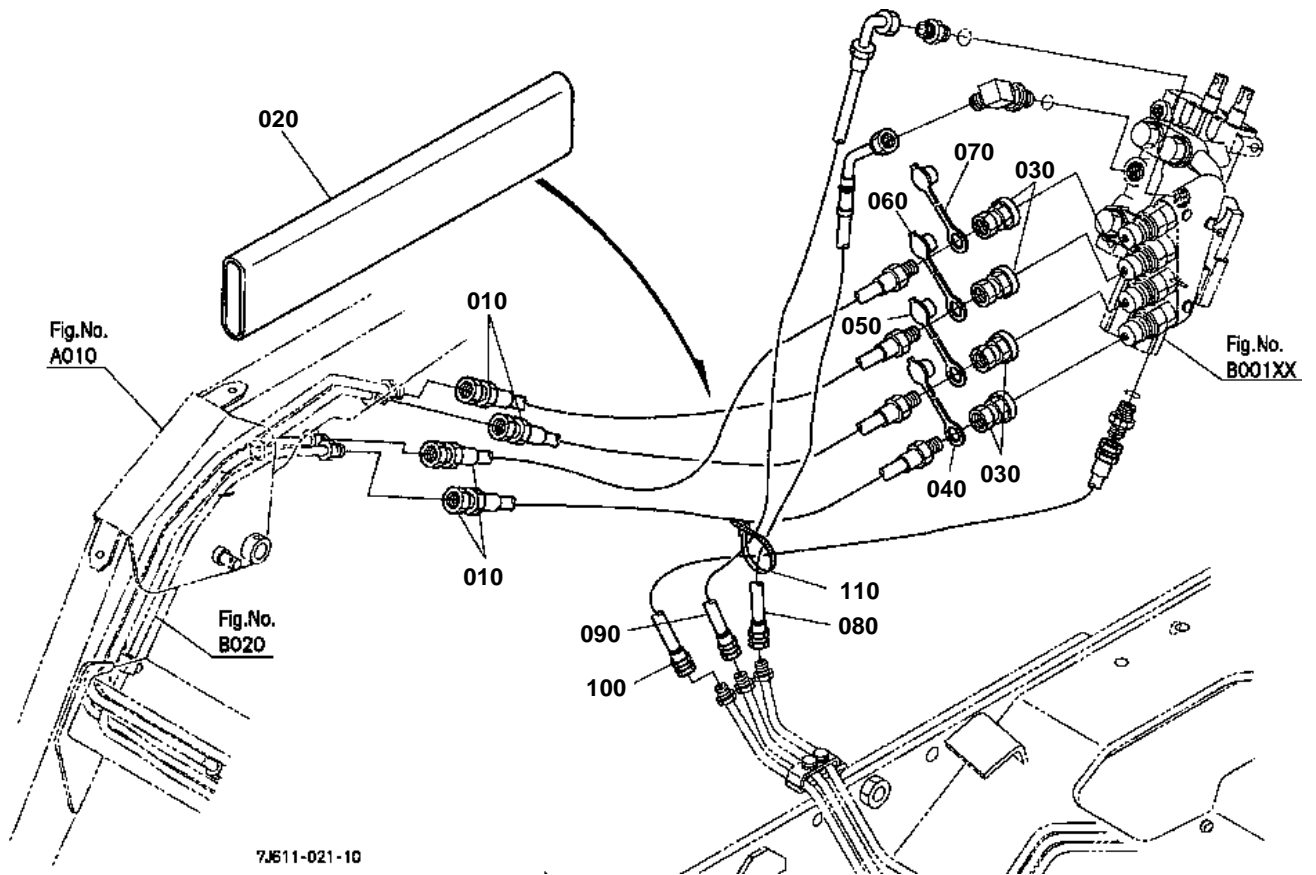


HYDRAULIC HOSE 2
3-POSITION C/V:ALL,4-POSITION C/V:S.No.;<=29999

↔ Interchangeable; ≠ not interchangeable; ← new for old; → old for new

REF.No	Part No.	Description	Q'ty	S.No.	I/C	REMARKS	Weight (kgf)	Weight (lb)
010	75538-66200	ASSY HOSE 4 HYD.	1	<=27545			0.39	0.858
010	75538-66203	ASSY HOSE 4 HYD.	1	>=27546	←		0.39	0.858
020	75538-66210	HOSE 4 HYDRAULIC	1				0.19	0.418
030	75532-66222	NIPPLE	1	<=27545			0	0
030	75536-66320	COUPLER	1	>=27546	←	72C4-4F	0.13	0.286
040	75538-66250	SLEEVE	1			16.0	0.003	0.0066
050	75590-64650	BAND CODE	1				0.01	0.022
060	75538-66300	ASSY HOSE 5 HYD.	1	<=27545			0.24	0.528
060	75538-66303	ASSY HOSE 5 HYD.	1	>=27546	←		0.24	0.528
070	75538-66310	HOSE 5 HYDRAULIC	1				0.14	0.308
080	75532-66323	COUPLER	1	<=27545			0	0
080	75536-66220	NIPPLE	1	>=27546	←	72N4-4F	0.04	0.088
090	75532-66330	PLUG DUST	1	<=27545			0.001	0.0022
090	75536-66430	CAP DUST(72PDC-4)	1	>=27546	←	72PDC-4	0.014	0.0308
100	75538-66400	ASSY HOSE 6 HYD.	1	<=27545			0.28	0.616
100	75538-66403	ASSY HOSE 6 HYD.	1	>=27546	←		0.28	0.616
110	75538-66410	HOSE 6 HYDRAULIC	1				0.2	0.44
120	75536-66220	NIPPLE	1	<=27545		72N4-4F	0.04	0.088
120	75536-66320	COUPLER	1	>=27546	←	72C4-4F	0.13	0.286
130	75532-66430	CAP DUST	1	<=27545			0.011	0.0242
130	75536-66330	PLUG DUST(72PDP-4)	1	>=27546	←	72PDP-4	0.011	0.0242
140	75538-66500	ASSY HOSE 7 HYD.	1	<=27545			0.3	0.66
140	75538-66503	ASSY HOSE 7 HYD.	1	>=27546	←		0.3	0.66
150	75538-66510	HOSE 7 HYDRAULIC	1				0.24	0.528
160	75532-66323	COUPLER	1	<=27545			0	0
160	75536-66220	NIPPLE	1	>=27546	←	72N4-4F	0.04	0.088
170	75532-66330	PLUG DUST	1	<=27545			0.001	0.0022
170	75536-66430	CAP DUST(72PDC-4)	1	>=27546	←	72PDC-4	0.014	0.0308

HYDRAULIC HOSE [4-POSITION CM]



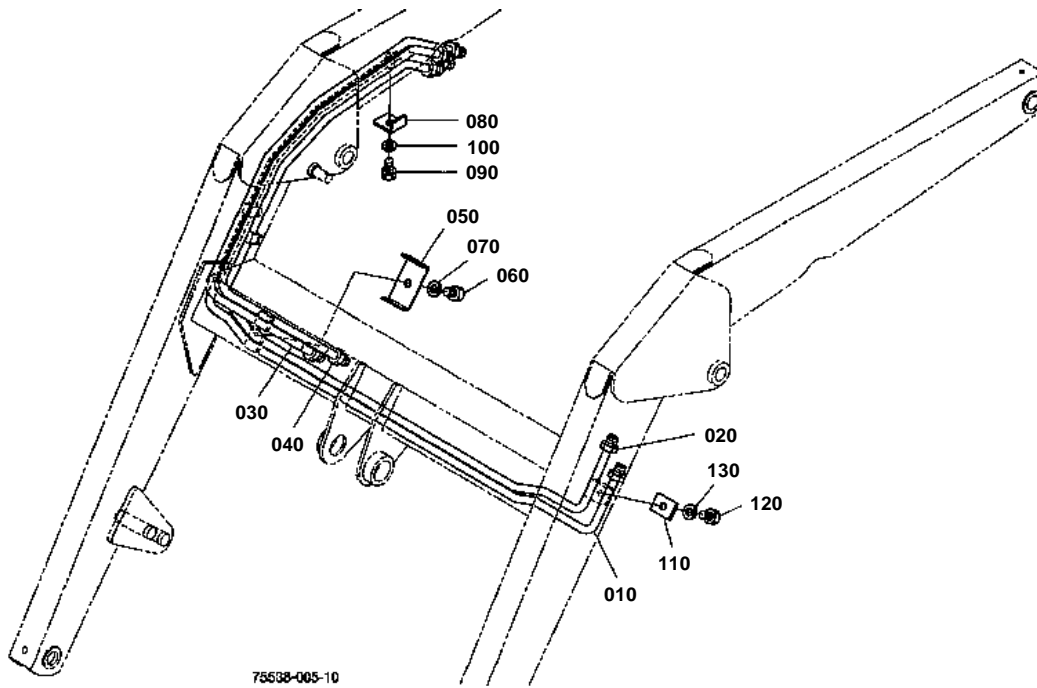
**HYDRAULIC HOSE [4-POSITION C/V]**

S.No.;>=30001 to 59999

↔ Interchangeable; ≠ not interchangeable; ← new for old; → old for new

REF.No	Part No.	Description	Q'ty	S.No.	I/C	REMARKS	Weight (kgf)	Weight (lb)
010	75538-66130	HOSE 1 HYDRAULIC	4				0	0
020	75536-77260	SLEEVE	1				0.082	0.1804
030	75536-66320	COUPLER	4			72C4-4F	0.13	0.286
040	7J245-66310	1/4PLUG DUST	1			BLUE	0.014	0.0308
050	7J245-66320	1/4PLUG DUST	1			YELLOW	0.018	0.0396
060	7J245-66330	1/4PLUG DUST	1			RED	0.09	0.198
070	7J245-66340	1/4PLUG DUST	1			WHITE	0.01	0.022
080	75538-66720	HOSE 5 HYDRAULIC	1				0	0
090	75538-66820	HOSE 6 HYDRAULIC	1				0	0
100	75538-66920	HOSE 7 HYDRAULIC	1				0	0
110	75590-64650	BAND CODE	1				0.01	0.022

HYDRAULIC TUBE



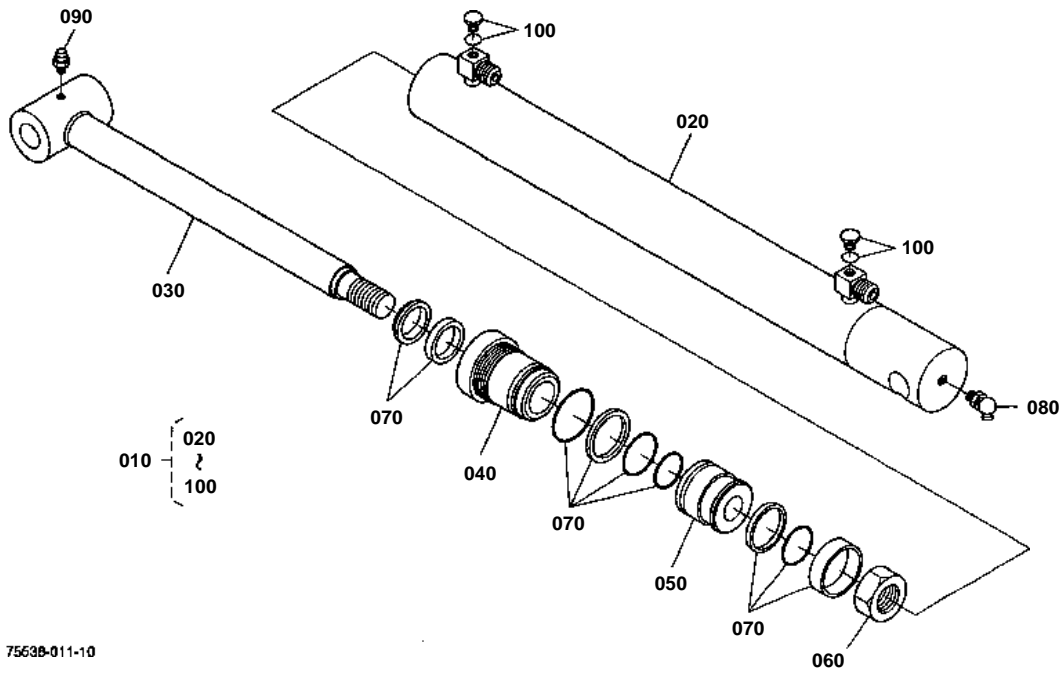


HYDRAULIC TUBE

↔ Interchangeable; ≠ not interchangeable; ← new for old; → old for new

REF.No	Part No.	Description	Q'ty	S.No.	I/C	REMARKS	Weight (kgf)	Weight (lb)
010	75538-65110	TUBE 1 HYDRAULIC	1				0.35	0.77
020	75538-65220	TUBE 2 HYDRAULIC	1	<=29999			0	0
020	75538-65212	TUBE 2 HYDRAULIC	1	>=30001	≠		0.25	0.55
030	75538-65310	TUBE 3 HYDRAULIC	1				0.2	0.44
040	75538-65410	TUBE 4 HYDRAULIC	1				0.2	0.44
050	75538-65510	CLAMP 1	1				0.112	0.2464
060	75599-01215	HEX.BOLT	1	<=26180		5/16-18UNC*3/4	0.011	0.0242
060	01053-50820	BOLT	1	>=26181	≠		0.012	0.0264
070	75599-33012	WASHER SPRING	1	<=26180		5/16	0.002	0.0044
070	04512-60080	WASHER SPRING	1	>=26181	≠		0.002	0.0044
080	75538-65530	CLAMP 2	1				0.003	0.0066
090	75599-01112	HEX.BOLT	1	<=26180			0.003	0.0066
090	01053-50616	BOLT	1	>=26181	≠		0.005	0.011
100	75599-33010	WASHER SPRING	1	<=26180			0.001	0.0022
100	04512-60060	WASHER SPRING	1	>=26181	≠		0.001	0.0022
110	75538-65550	CLAMP 3	1	<=26180			0.004	0.0088
110	7J610-65550	CLAMP 3	1	>=26181	≠		0.036	0.0792
120	75599-01220	HEX.BOLT	1	<=26180		5/16-18UNC*1	0.012	0.0264
120	01053-50616	BOLT	1	>=26181	≠		0.005	0.011
130	75599-33012	WASHER SPRING	1	<=26180		5/16	0.002	0.0044
130	04512-60060	WASHER SPRING	1	>=26181	≠		0.001	0.0022

CYLINDER (BOOM)[COMPONENT PARTS]



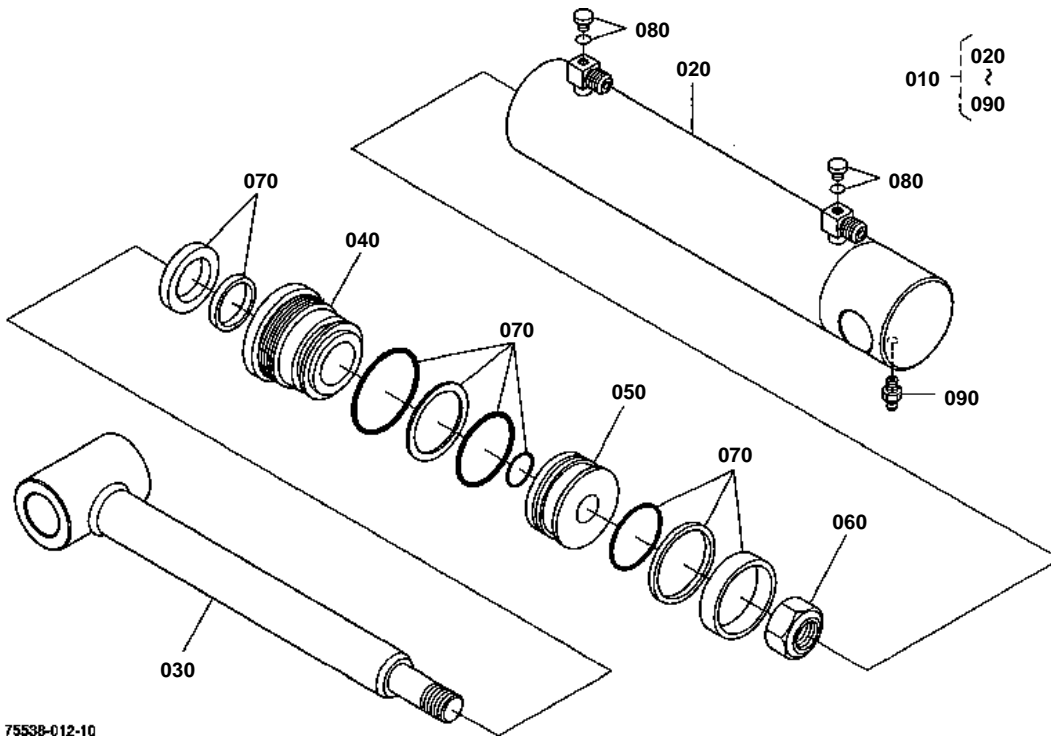


CYLINDER (BOOM)[COMPONENT PARTS]

↔ Interchangeable; ≠ not interchangeable; ← new for old; → old for new

REF.No	Part No.	Description	Q'ty	S.No.	I/C	REMARKS	Weight (kgf)	Weight (lb)
010	75538-63010	CYLINDER 1	2	<=25520			0.007	0.0154
010	75538-63110	CYLINDER 1	2	>=25521	←		0	0
020	75538-63100	TUBE 1 COMP.	2	<=25520			2.5	5.5
020	75538-63300	TUBE 1 COMP.	2	>=25521	≠		0	0
030	75538-63200	ROD 1 COMP.	2	<=25520			1	2.2
030	75538-63500	ROD 1 COMP.	2	>=25521	≠		0	0
040	75536-63310	HEAD	2	<=25520			0.28	0.616
040	75538-63410	HEAD	2	>=25521	≠		0	0
050	75536-63350	PISTON	2	<=25520			0.17	0.374
050	75538-64430	PISTON	2	>=25521	≠		0	0
060	75536-63360	NUT	2	<=25520			0.045	0.099
060	75538-64460	NUT	2	>=25521	≠		0	0
070	75536-63400	KIT SEAL	2	<=25520			0.002	0.0044
070	75538-63600	KIT SEAL	2	>=25521	≠		0	0
080	75532-63470	FITTING GREASE	2			90DEG.	0.01	0.022
090	75599-81531	FITTING GREASE	2			1/8-27NPTF	0.007	0.0154
100	75590-13270	PLUG	4	<=25520			0.01	0.022
100	75538-63490	PLUG	4	>=25521	≠		0	0

CYLINDER (BUCKET)[COMPONENT PARTS]



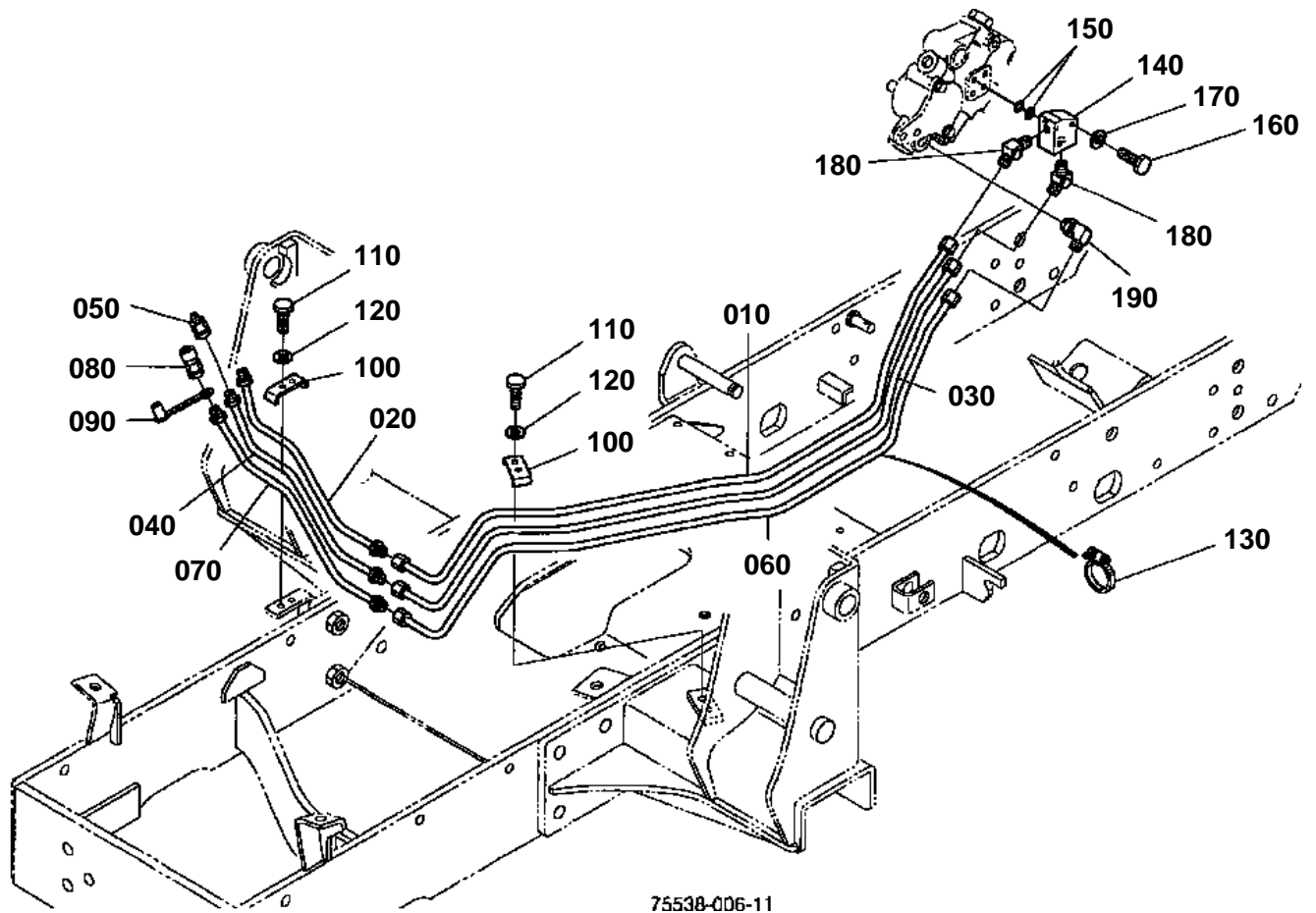
75538-012-10

**CYLINDER (BUCKET)[COMPONENT PARTS]**

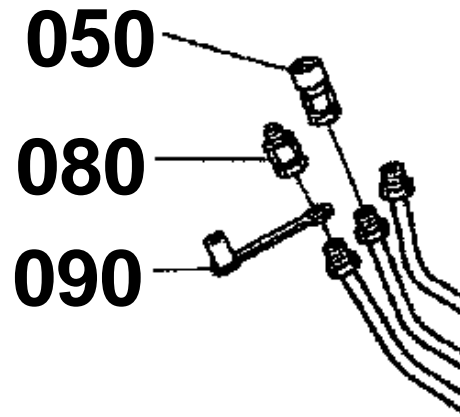
↔ Interchangeable; ≠ not interchangeable; ← new for old; → old for new

REF.No	Part No.	Description	Q'ty	S.No.	I/C	REMARKS	Weight (kgf)	Weight (lb)
010	75538-64010	CYLINDER 2	1	<=25520			8	17.6
010	75538-64110	CYLINDER 2	1	>=25521	←		0	0
020	75538-64100	TUBE 2 COMP.	1	<=25520			5	11
020	75538-64300	TUBE 2 COMP.	1	>=25521	≠		0	0
030	75538-64200	ROD 2 COMP.	1	<=25520			3.2	7.04
030	75538-64500	ROD 2 COMP.	1	>=25521	≠		0	0
040	75596-13110	HEAD	1	<=25520			0.74	1.628
040	75582-13110	HEAD	1	>=25521	≠		0.05	0.11
050	75565-63350	PISTON	1	<=25520			0.4	0.88
050	75582-64450	PISTON	1	>=25521	≠		0.4	0.88
060	75565-63360	NUT	1	<=25520			0.07	0.154
060	75582-63360	NUT	1	>=25521	≠		0.05	0.11
070	75596-43300	KIT SEAL	1	<=25520			0.024	0.0528
070	75582-64600	KIT SEAL	1	>=25521	≠		0.03	0.066
080	75590-13270	PLUG	2	<=25520			0.01	0.022
080	75538-63490	PLUG	2	>=25521	≠		0	0
090	75599-81531	FITTING GREASE	1			1/8-27NPTF	0.007	0.0154

HYDRAULIC BLOCK



OLD PART



75538-802-10

**HYDRAULIC BLOCK**

3-POSITION C/V:ALL4-POSITION C/V:S.No.;<=29999

↔ Interchangeable; ≠ not interchangeable; ← new for old; → old for new

REF.No	Part No.	Description	Q'ty	S.No.	I/C	REMARKS	Weight (kgf)	Weight (lb)
010	75538-68300	TUBE 1 DELIVERY	1	<=21132			0	0
010	75538-68302	TUBE 1 DELIVERY	1	>=21133	←		0.34	0.748
020	75538-68370	TUBE 2 DELIVERY	1				0.11	0.242
030	75538-68400	TUBE 1 PUMP	1	<=21132			0	0
030	75538-68402	TUBE 1 PUMP	1	>=21133	←		0.3	0.66
040	75538-68470	TUBE 2 PUMP	1				0.12	0.264
050	75532-66323	COUPLER	1	<=27545			0	0
050	75536-66220	NIPPLE	1	>=27546	←		0.04	0.088
060	75538-68500	TUBE 1 RETURN	1				0.35	0.77
070	75538-68570	TUBE 2 RETURN	1				0.14	0.308
080	75532-66220	NIPPLE	1	<=27545			0.07	0.154
080	75536-66320	COUPLER	1	>=27546	←		0.13	0.286
090	75532-66430	CAP DUST	1	<=27545			0.011	0.0242
090	75536-66330	PLUG DUST(72PDP-4)	1	>=27546	←		0.011	0.0242
100	75538-68610	CLAMP TUBE	2				0.06	0.132
110	75599-01120	HEX.BOLT	4	<=26180			0.008	0.0176
110	01053-50625	BOLT	4	>=26181	←		0.007	0.0154
120	75599-33010	WASHER SPRING	4	<=26180			0.001	0.0022
120	04512-60060	WASHER SPRING	4	>=26181	←		0.001	0.0022
130	75582-66360	BAND	1				0.02	0.044
140	75538-68110	BLOCK HYDRAULIC	1				0.286	0.6292
150	75538-68130	O RING	2				0.011	0.0242
160	01053-50840	BOLT	2				0.018	0.0396
170	75599-33012	WASHER SPRING	2	<=26180			0.002	0.0044
170	04512-60080	WASHER SPRING	2	>=26181	←		0.002	0.0044
180	75538-68150	JOINT ELBOW	2				0.034	0.0748
190	75595-64200	ASSY ELBOW ADJUSTA	1				0.52	1.144

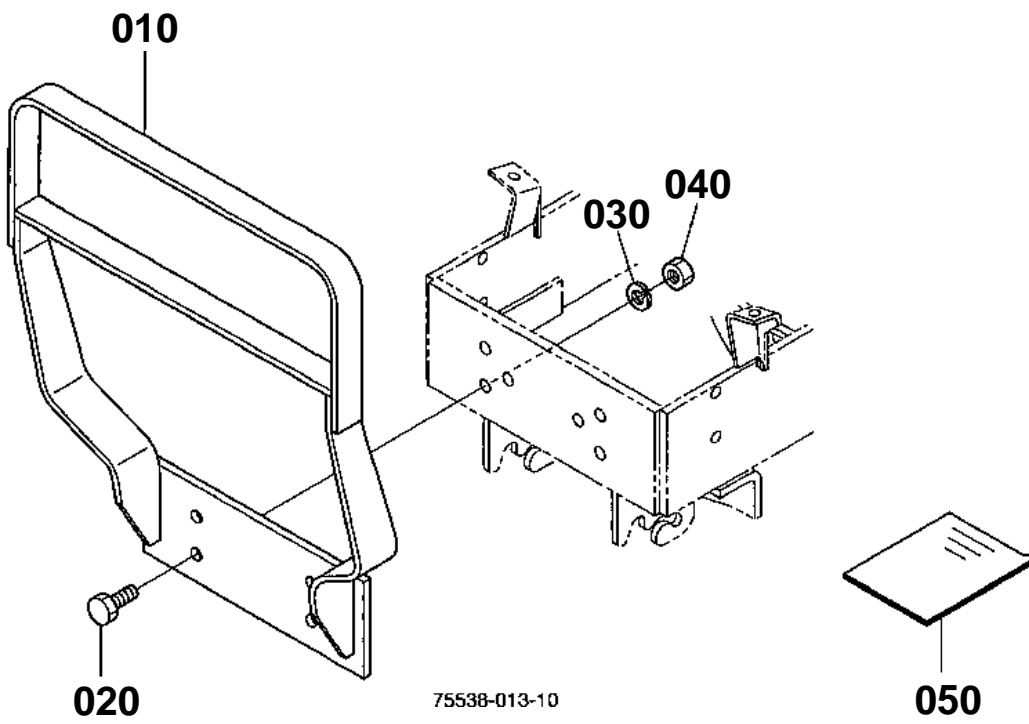


HYDRAULIC BLOCK
S.No.;>=30001 to 59999

↔ Interchangeable; ≠ not interchangeable; ← new for old; → old for new

REF.No	Part No.	Description	Q'ty	S.No.	I/C	REMARKS	Weight (kgf)	Weight (lb)
010	75538-68302	TUBE 1 DELIVERY	1				0.34	0.748
020	75538-68370	TUBE 2 DELIVERY	1				0.11	0.242
030	75538-68402	TUBE 1 PUMP	1				0.3	0.66
040	75538-35470	TUBE 2 PUMP	1				0.16	0.352
050	99999-99999	BLANK	0				0	0
060	75538-68500	TUBE 1 RETURN	1				0.35	0.77
070	75538-35572	TUBE 2 RETURN	1				0.115	0.253
080	99999-99999	BLANK	0				0	0
090	99999-99999	BLANK	0				0	0
100	75538-68610	CLAMP TUBE	2				0.06	0.132
110	01053-50625	BOLT	4				0.007	0.0154
120	04512-60060	WASHER SPRING	4				0.001	0.0022
130	75582-66360	BAND	1				0.02	0.044
140	75538-68110	BLOCK HYDRAULIC	1				0.286	0.6292
150	75538-68130	O RING	2				0.011	0.0242
160	01053-50840	BOLT	2				0.018	0.0396
170	04512-60080	WASHER SPRING	2				0.002	0.0044
180	75538-68150	JOINT ELBOW	2				0.034	0.0748
190	75595-64200	ASSY ELBOW ADJUSTA	1				0.52	1.144

FRONT GUARD [OPTION]





FRONT GUARD [OPTION]

↔ Interchangeable; ≠ not interchangeable; ← new for old; → old for new

REF.No	Part No.	Description	Q'ty	S.No.	I/C	REMARKS	Weight (kgf)	Weight (lb)
010	75538-57810	GUARD FRONT	1				10	22
020	01073-51235	BOLT	4				0.045	0.099
030	04512-60120	WASHER SPRING	4				0.005	0.011
040	02074-50120	NUT	4				0.015	0.033
050	75538-99520	MANUAL ASSEMBLY	1				0.024	0.0528



ACCESSORIES AND SERVICE PARTS

↔ Interchangeable; ≠ not interchangeable; ← new for old; → old for new

REF.No	Part No.	Description	Q'ty	S.No.	I/C	REMARKS	Weight (kgf)	Weight (lb)
010	75538-69110	OPERATOR'S MANUAL	1	<=23755		ENGLISH 3P	0.105	0.231
010	75538-69113	OPERATOR'S MANUAL	1	>=23756	←	ENGLISH 3P	0.105	0.231
010	75538-69113	OPERATOR'S MANUAL	1	<=29999		ENGLISH 3P	0.105	0.231
010	75538-69120	OPERATOR'S MANUAL	1	>=30001	≠	ENGLISH	0	0
010	75538-69120	OPERATOR'S MANUAL	1	<=59999		ENGLISH	0	0
010	75538-69115	OPERATOR'S MANUAL	1	>=60001	≠	ENGLISH 3P	0.105	0.231
010	75538-69120	OPERATOR'S MANUAL	1	>=60201	≠	ENGLISH	0	0
010	75538-65914	OPERATOR'S MANUAL(F)	1	<=29999		FRENCH 3P	0	0
010	75538-65920	OPERATOR'S MANUAL(F)	1	>=30001	≠	FRENCH	0	0
010	75538-65920	OPERATOR'S MANUAL(F)	1	<=59999		FRENCH	0	0
010	75538-65920	OPERATOR'S MANUAL(F)	1	>=60201		FRENCH	0	0
020	75538-69150	MANUAL ASSEMBLY	1	>=30001		ENGLISH	0	0
020	75538-69150	MANUAL ASSEMBLY	1	<=59999		ENGLISH	0	0
020	75538-69150	MANUAL ASSEMBLY	1	>=60201		ENGLISH	0	0
020	75538-95950	MANUAL ASSEMBLY(F)	1	>=30001		FRENCH	0	0
020	75538-95950	MANUAL ASSEMBLY(F)	1	<=59999		FRENCH	0	0
020	75538-95950	MANUAL ASSEMBLY(F)	1	>=60201		FRENCH	0	0