

Instructions for Parts Books

The heading at the top of the page will be the same for the picture of the parts as it is for the page with the part numbers.

Definition of column headings on part number pages:

REF.No → The number referring to the part on the picture page of the parts book.

Part No. → The number assigned to this part at the time of printing the parts book.

Description → Description of part.

Q'ty → Quantity of part used on that page.

S.No. → Serial number range of the equipment that this part will fit.

>= Your serial number should be greater than or equal to the number shown.

<= Your serial number should be lesser than or equal to the serial number shown.

I/C → Interchangeability of part shown.

↔ The part shown will work for the older and later serial number.

The part shown is not interchangeable with the other serial number.

← new for old

→ old for new

Remarks → Notes about this particular part. Sometimes this may say except [FR] or [CA]

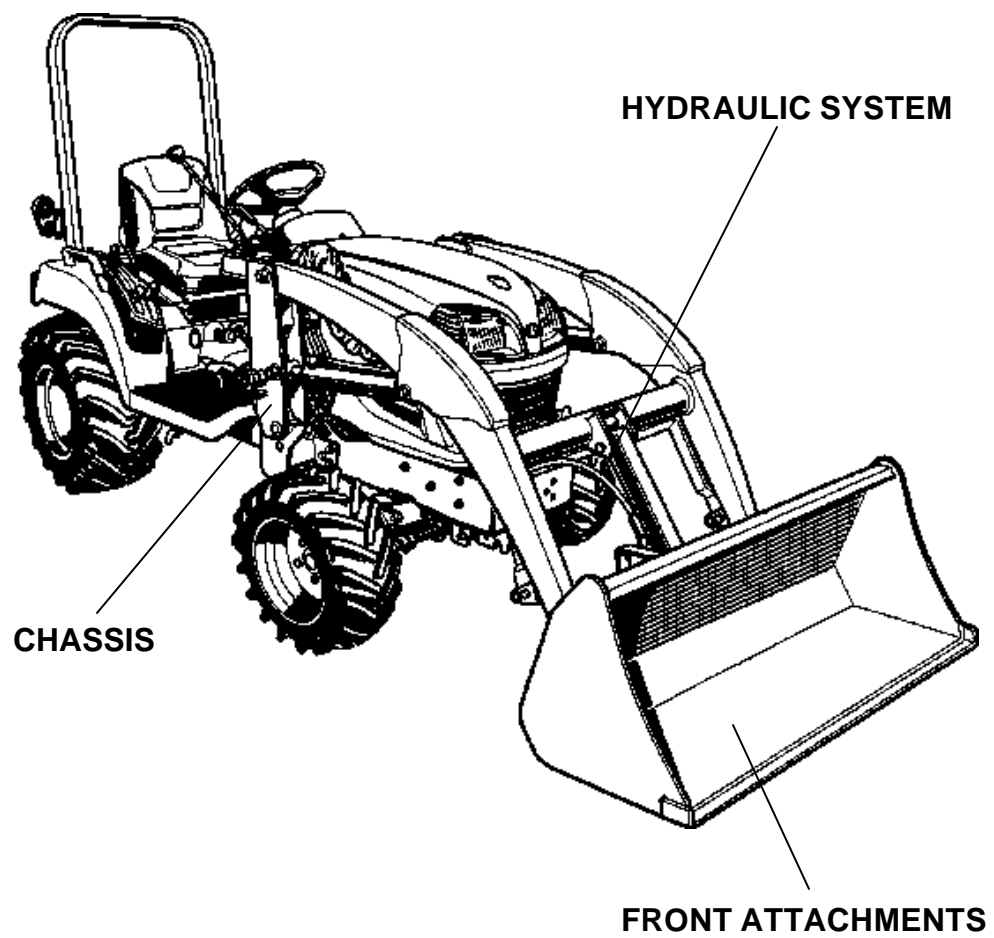
Note about Country Codes:

The parts books we use in the United States of America may also contain information about a part that would be different in another country. It is important that you are aware of the country codes in some instances.

Symbol	Country
A	United States of America
CA	Canada
FR	France
GR	Greece
PO	Portugal
AU	Australia

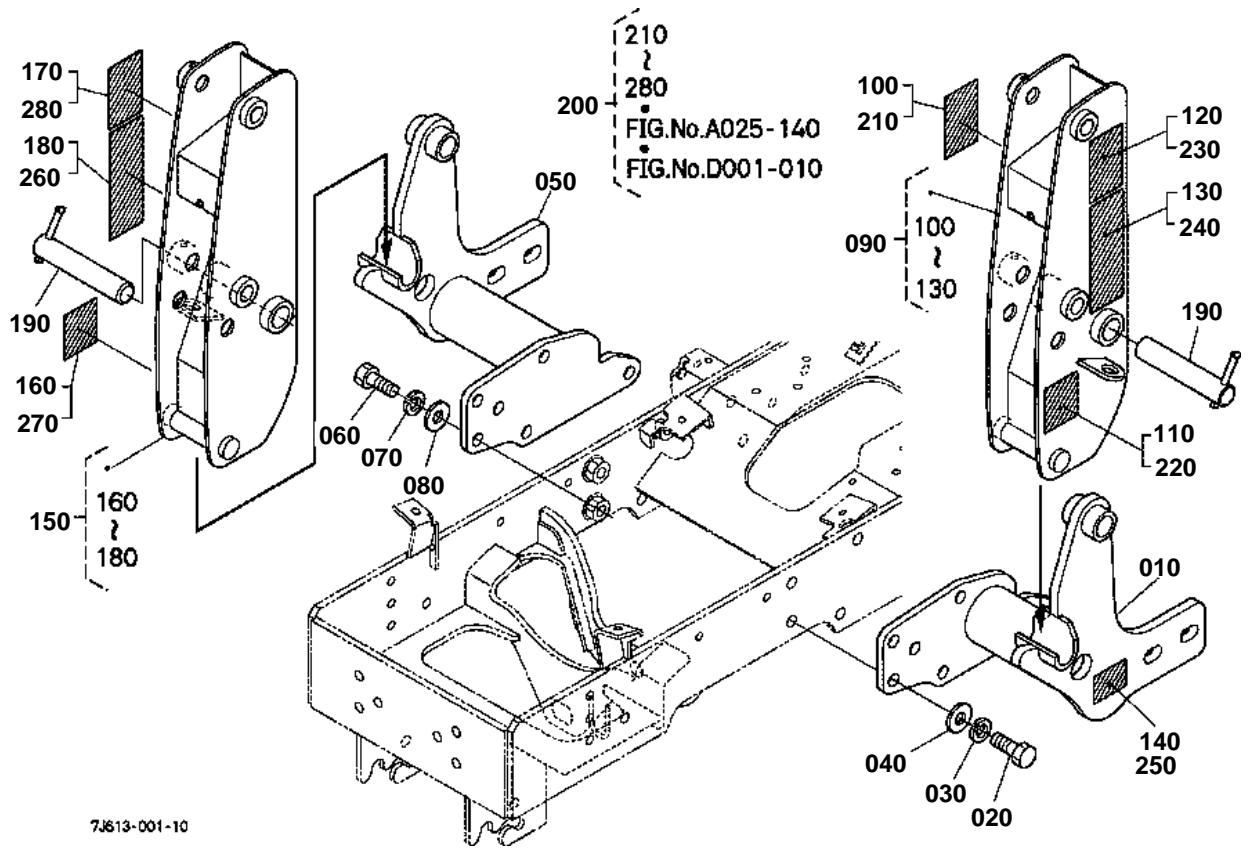
If the remarks column says for example EXCEPT [FR] this part works in all countries except France. That means it will work here in the USA.

ALL PRODUCT INDEX
LA240 loader



Item	Part No.	Description	Book
CHASSIS	01A00102	MAIN FRAME	100A0331
FRONT ATTACHMENTS	01A010	BOOM	100A0331
	01A025	BUCKET	100A0331
HYDRAULIC SYSTEM	01B01502	CYLINDER/HYDRAULIC HOSE	100A0331
	01B016	HYDRAULIC HOSE(HYD.OUTLET BLOCK)	100A0331
	01B02002	HYDRAULIC TUBE	100A0331
	01B02502	CYLINDER (BOOM)[COMPONENT PARTS]	100A0331
	01B030	CYLINDER (BUCKET)[COMPONENT PARTS]	100A0331

MAIN FRAME



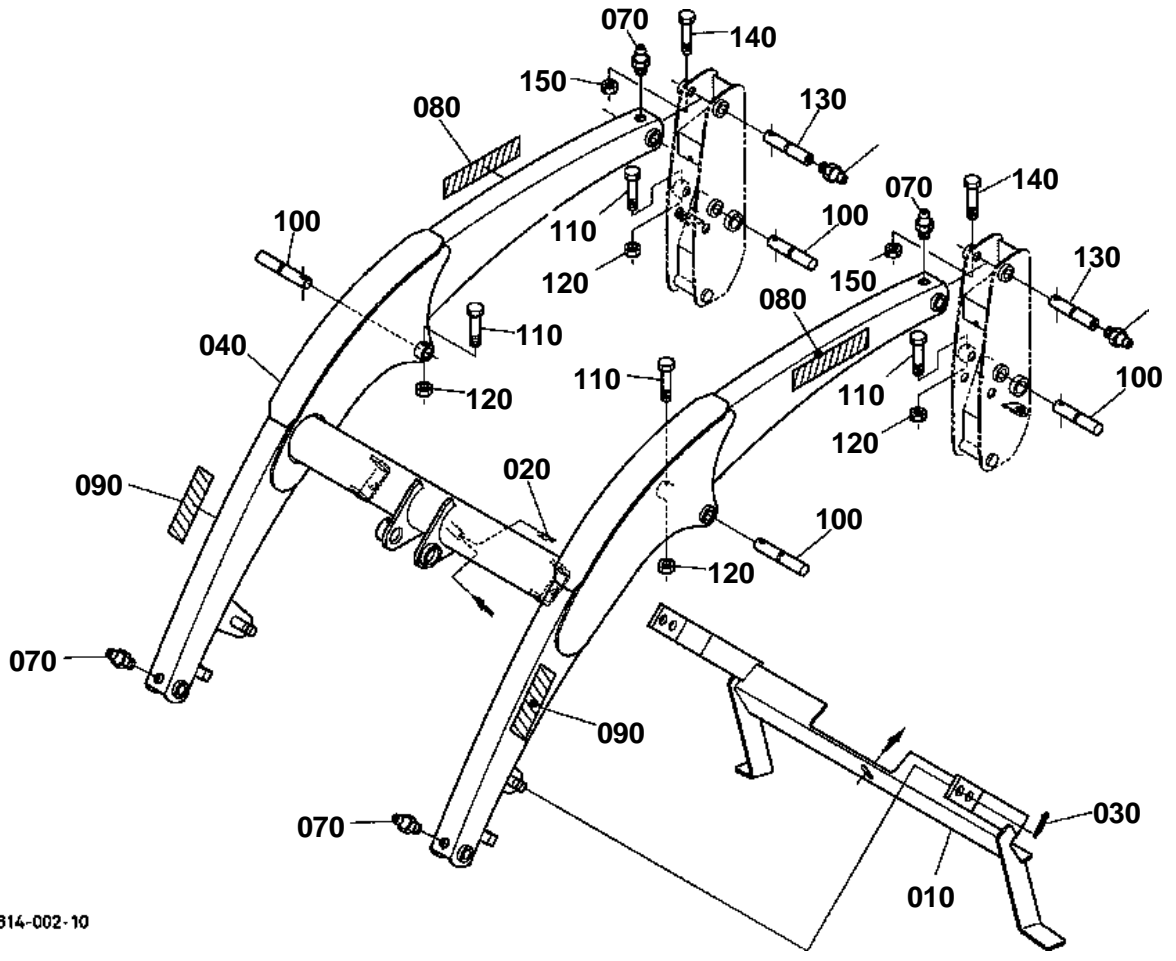


MAIN FRAME

↔ Interchangeable; ≠ not interchangeable; ← new for old; → old for new

REF.No	Part No.	Description	Q'ty	S.No.	I/C	REMARKS	Weight (kgf)	Weight (lb)
010	7J613-55015	FRAME MAIN LH	1				0	0
020	01073-51455	BOLT	6				0.09	0.198
030	04512-60140	WASHER SPRING	6				0.008	0.0176
040	75599-32516	WASHER PLAIN	6			9/16HD	0.011	0.0242
050	7J613-55035	FRAME MAIN RH	1				0	0
060	01073-51455	BOLT	6				0.09	0.198
070	04512-60140	WASHER SPRING	6				0.008	0.0176
080	75599-32516	WASHER PLAIN	6			9/16HD	0.011	0.0242
090	7J612-90130	FRAME SIDE LH LABEL	1				0	0
100	7J246-56410	LABEL DANGER 1	1			ENGLISH	0.002	0.0044
110	7J246-56420	LABEL DANGER 2	1			ENGLISH	0.001	0.0022
120	7J246-56442	LABEL WARNING 1	1			ENGLISH	0.01	0.022
130	7J246-56450	LABEL CAUTION 1	1			ENGLISH	0.002	0.0044
140	75580-56370	LABEL LUBRICATE	1			ENGLISH	0.001	0.0022
150	7J612-90140	FRAME SIDE RH LABEL	1				0	0
160	7J246-56430	LABEL DANGER 3	1			ENGLISH	0.002	0.0044
170	7J266-56490	LABEL CAUTION 4	1			ENGLISH	0.001	0.0022
180	7J246-56442	LABEL WARNING 1	1			ENGLISH	0.01	0.022
190	7J612-56810	PIN MOUNT	2				0	0
200	7J613-95500	FRENCH KIT.LA240	1				0	0
210	75546-99613	LABEL DANGER 1(F)	1			FRENCH	0.001	0.0022
220	75567-99622	LABEL DANGER 2(F)	1			FRENCH	0.003	0.0066
230	75546-99642	LABEL WARNING 1(F)	1			FRENCH	0.001	0.0022
240	75546-99654	LABEL CAUTION(F)	1			FRENCH	0.003	0.0066
250	75580-95550	LABEL LUBRICATE FREN	1			FRENCH	0.001	0.0022
260	75546-99642	LABEL WARNING 1(F)	1			FRENCH	0.001	0.0022
270	75546-99632	LABEL DANGER 3(F)	1			FRENCH	0.01	0.022
280	7J266-99682	LABEL CAUTION 4(F)	1			FRENCH	0.001	0.0022
290	7J266-62360	LABEL CONTROL	1			ENGLISH	0.002	0.0044

BOOM



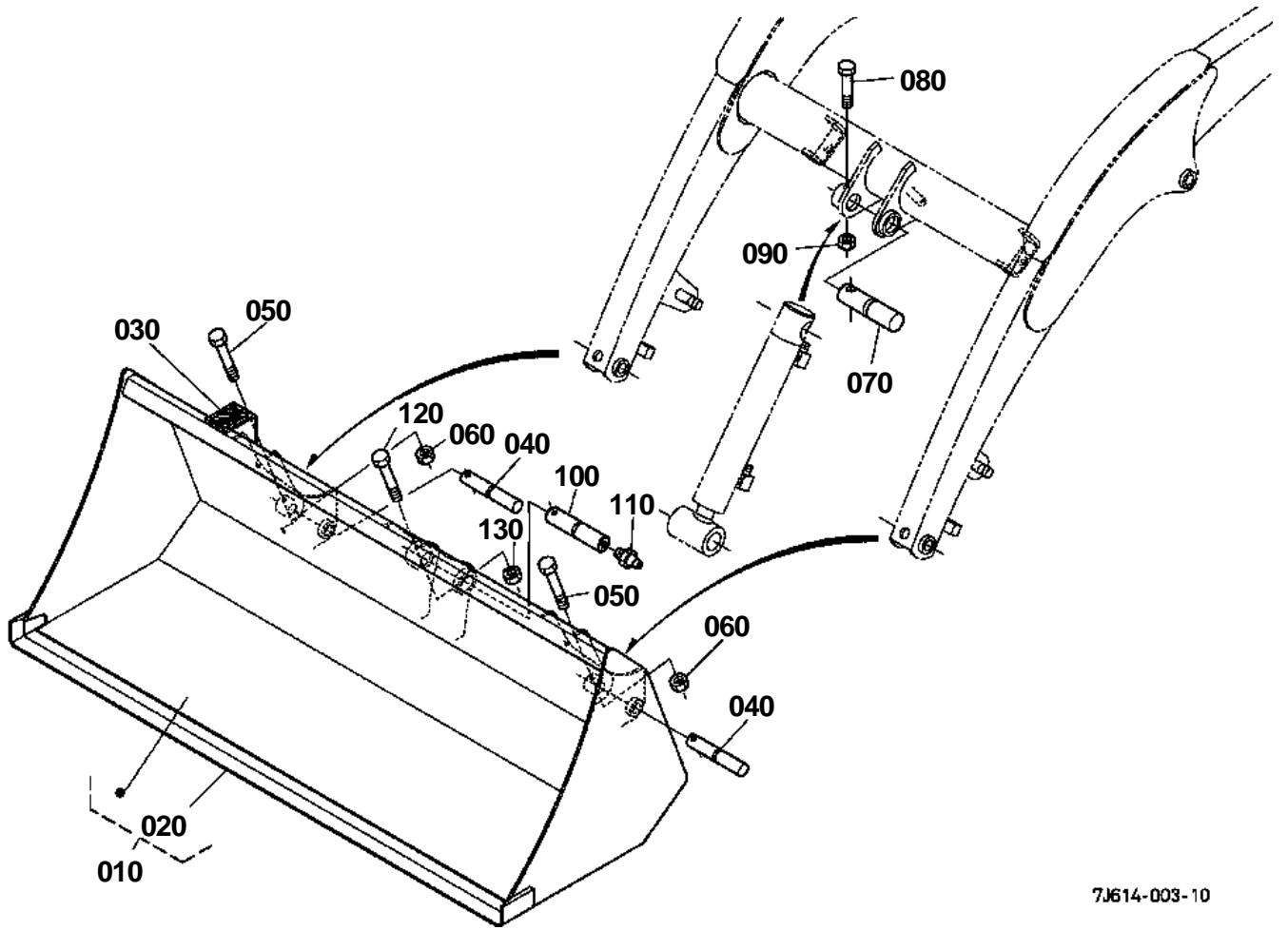
7J814-002-10

**BOOM**

↔ Interchangeable; ≠ not interchangeable; ← new for old; → old for new

REF.No	Part No.	Description	Q'ty	S.No.	I/C	REMARKS	Weight (kgf)	Weight (lb)
010	7J612-57550	STAND	1				0	0
020	05516-51600	PIN SNAP	1				0.007	0.0154
030	75599-53183	PIN COTTER	2			9/64*1	0.003	0.0066
040	7J612-58010	BOOM	1				0	0
050	7J612-58052	STAY COMP.STAND	2				0	0
060	7J612-58372	STAY STAND	2				0	0
070	75599-81520	FITTING GREASE	4			1/4-28T.T.	0.003	0.0066
080	7J612-58450	LABEL KUBOTA	2				0	0
090	7J613-58470	LABEL BX24	2				0	0
090	7J613-58460	LABEL LA240	2				0	0
095	7J612-58970	TUBE CUSHION	1				0	0
100	7J612-58740	PIN 4	4				0	0
110	01053-50645	BOLT	4				0.012	0.0264
120	02552-50060	NUT LOCK	4				0.002	0.0044
130	7J612-58510	PIN 1	2				0	0
140	01053-50645	BOLT	2				0.012	0.0264
150	02552-50060	NUT LOCK	2				0.002	0.0044

BUCKET



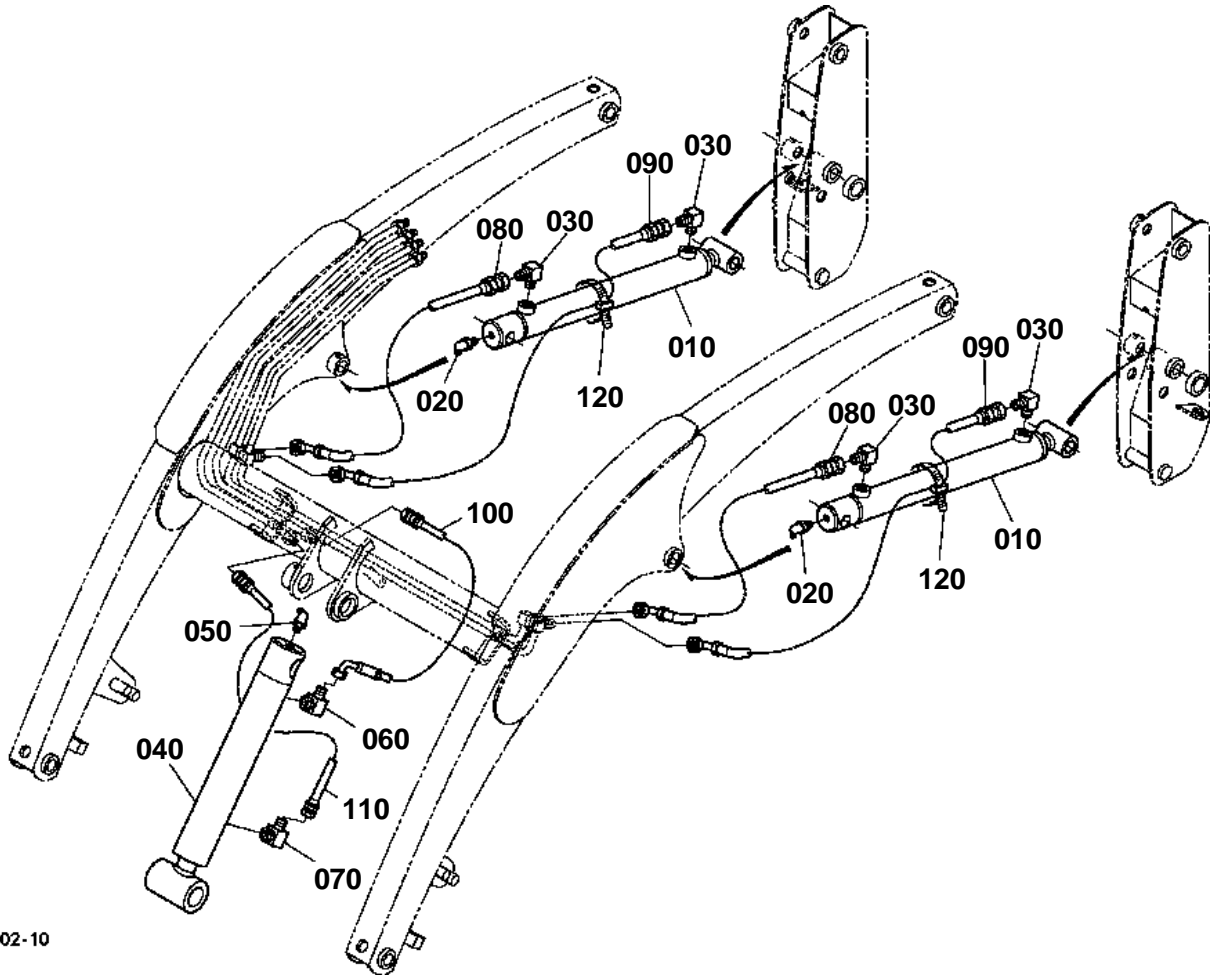
7J614-003-10

**BUCKET**

↔ Interchangeable; ≠ not interchangeable; ← new for old; → old for new

REF.No	Part No.	Description	Q'ty	S.No.	I/C	REMARKS	Weight (kgf)	Weight (lb)
010	7J612-59010	BUCKET 48	1				0	0
020	75532-59320	EDGE CUTTING	1				6	13.2
030	75540-59450	LABEL LEVELER	1			ENGLISH	0.001	0.0022
040	7J612-58740	PIN 4	2				0	0
050	01053-50645	BOLT	2				0.012	0.0264
060	02552-50060	NUT LOCK	2				0.002	0.0044
070	75563-58610	PIN 2	1				0.72	1.584
080	01053-50860	BOLT	1				0.024	0.0528
090	02552-50080	NUT LOCK	1				0.005	0.011
100	75563-58710	PIN 3	1				0.7	1.54
110	75599-81520	FITTING GREASE	1			1/4-28T.T.	0.003	0.0066
120	01053-50860	BOLT	1				0.024	0.0528
130	02552-50080	NUT LOCK	1				0.005	0.011
140	75553-99630	LABEL LEVELER FRENCH	1			FRENCH	0.005	0.011

CYLINDER/HYDRAULIC HOSE



7J613-002-10

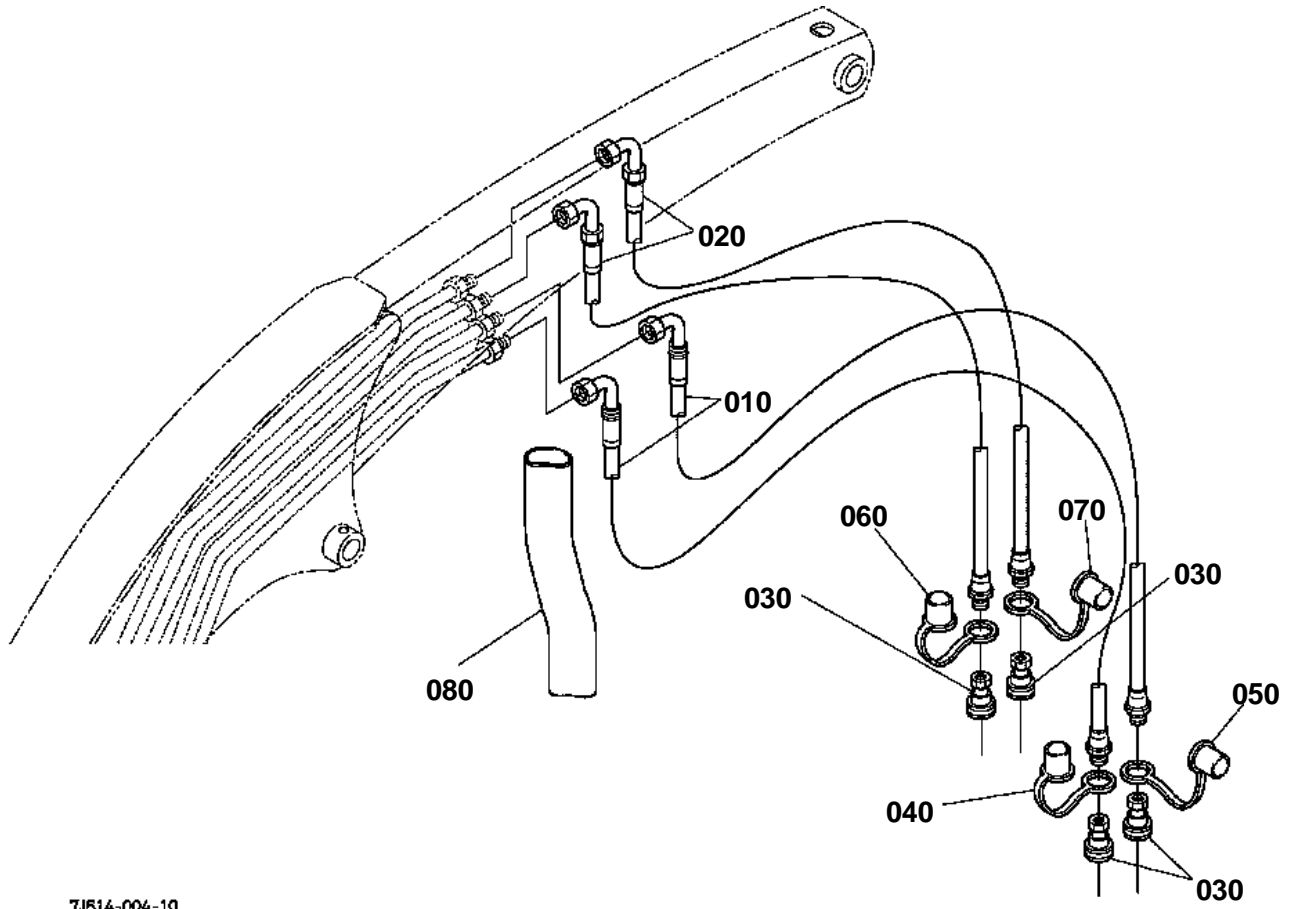


CYLINDER/HYDRAULIC HOSE

↔ Interchangeable; ≠ not interchangeable; ← new for old; → old for new

REF.No	Part No.	Description	Q'ty	S.No.	I/C	REMARKS	Weight (kgf)	Weight (lb)
010	7J612-63010	CYLINDER 1	2				0	0
020	75532-63470	FITTING GREASE	2			90DEG.	0.01	0.022
030	K6072-63660	ADAPTER	4				0.043	0.0946
040	7J612-64013	CYLINDER 2	1				0	0
050	75532-63470	FITTING GREASE	1			90DEG.	0.01	0.022
060	K6072-63660	ADAPTER	1				0.043	0.0946
070	75536-66810	ADAPTER 1	1				0.04	0.088
080	7J610-66650	HOSE 8 RH HYDRAULIC	2				0.17	0.374
090	7J610-66660	HOSE 9 RH HYDRAULIC	2				0.22	0.484
100	7J612-66630	HOSE 10 HYDRAULIC	1				0	0
110	7J612-66643	HOSE 11 HYDRAULIC	1				0	0
120	75590-64650	BAND CODE	2				0.01	0.022

HYDRAULIC HOSE(HYD.OUTLET BLOCK)



71514-004-10

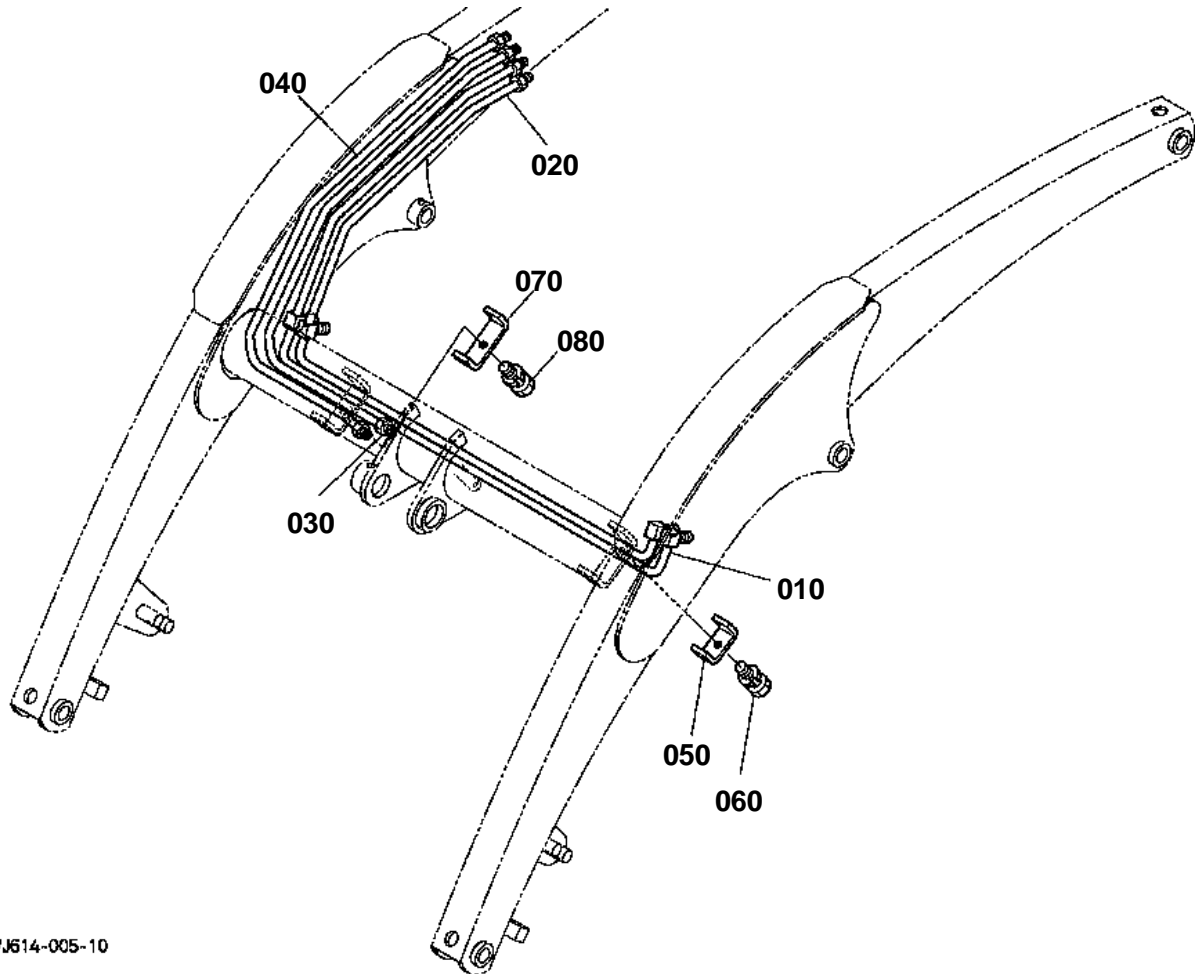


HYDRAULIC HOSE(HYD.OUTLET BLOCK)

↔ Interchangeable; ≠ not interchangeable; ← new for old; → old for new

REF.No	Part No.	Description	Q'ty	S.No.	I/C	REMARKS	Weight (kgf)	Weight (lb)
010	7J043-66120	HOSE 2 HYDRAULIC	2				0.25	0.55
020	7J614-66210	HOSE 2 HYDRAULIC	2				0	0
030	75536-66320	COUPLER	4				0.13	0.286
040	7J245-66310	PLUG DUST	1			(BLUE)	0.014	0.0308
050	7J245-66320	PLUG DUST	1			(YELLOW)	0.018	0.0396
060	7J245-66330	PLUG DUST	1			(RED)	0.09	0.198
070	7J245-66340	PLUG DUST	1			(WHITE)	0.01	0.022
080	75567-66550	SLEEVE	1				0.11	0.242

HYDRAULIC TUBE



7J614-005-10

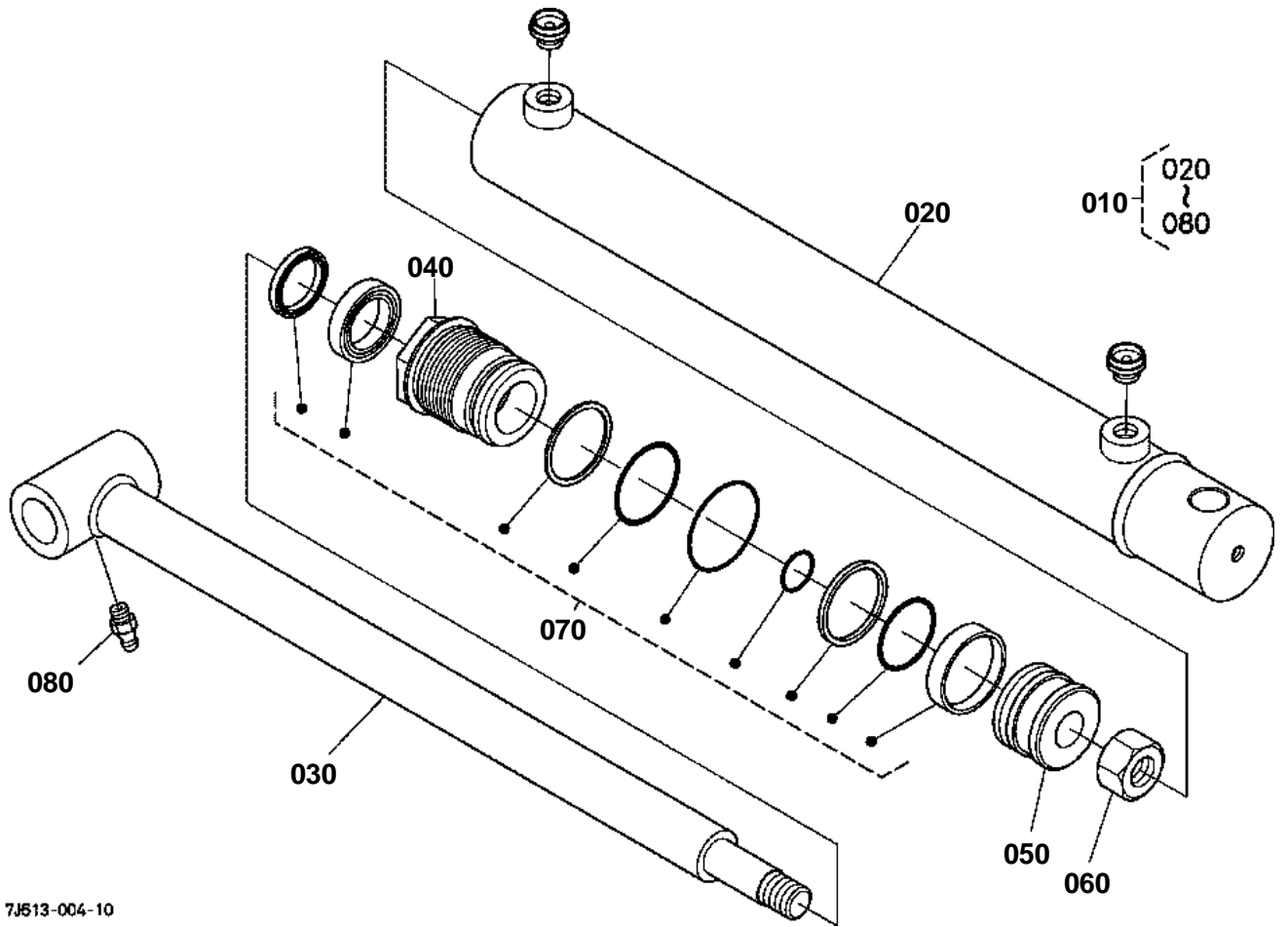


HYDRAULIC TUBE

↔ Interchangeable; ≠ not interchangeable; ← new for old; → old for new

REF.No	Part No.	Description	Q'ty	S.No.	I/C	REMARKS	Weight (kgf)	Weight (lb)
010	7J612-65113	TUBE 1 HYDRAULIC	1				0	0
020	7J612-65213	TUBE 2 HYDRAULIC	1				0	0
030	7J612-65313	TUBE 3 HYDRAULIC	1				0	0
040	7J612-65413	TUBE 4 HYDRAULIC	1				0	0
050	7J612-65510	CLAMP 1	2				0	0
060	01023-50620	BOLT	2				0.006	0.0132
070	75538-65530	CLAMP 2	1				0.003	0.0066
080	01023-50620	BOLT	1				0.006	0.0132

CYLINDER (BOOM)[COMPONENT PARTS]



7J513-004-10

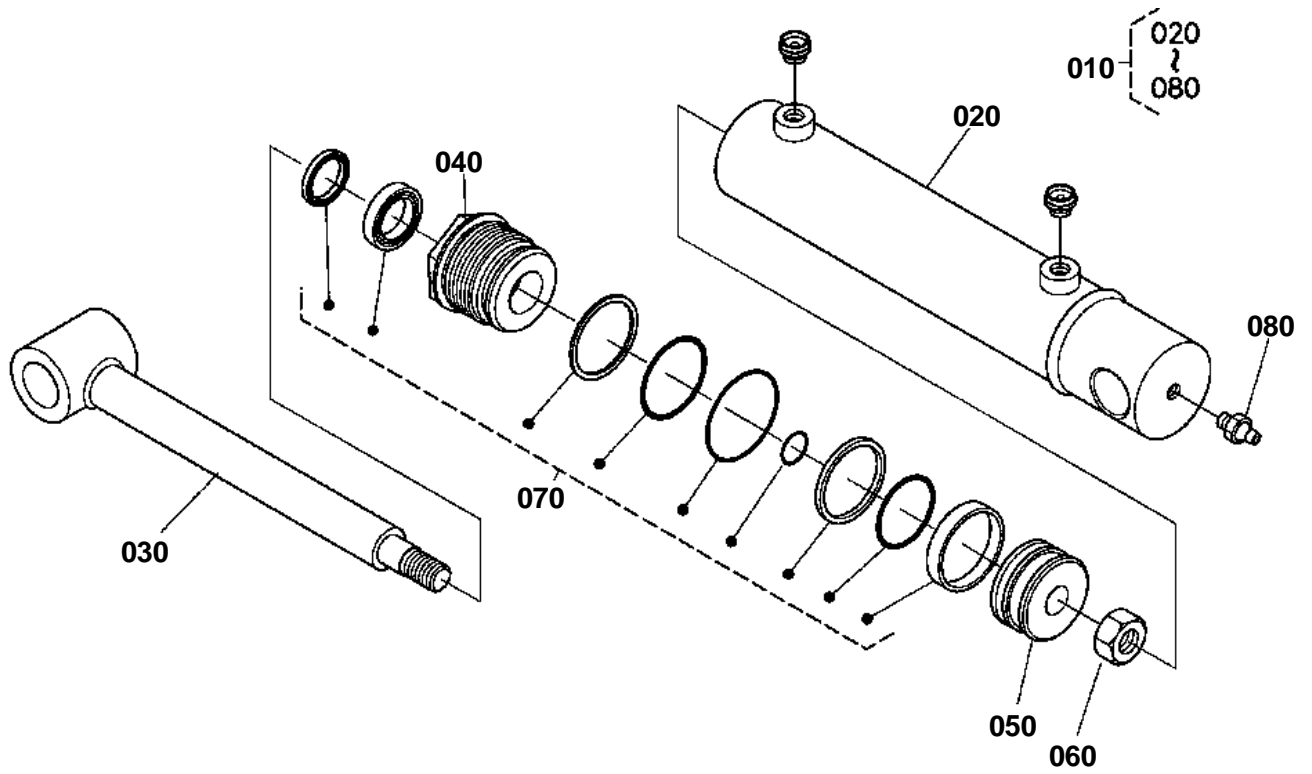


CYLINDER (BOOM)[COMPONENT PARTS]

↔ Interchangeable; ≠ not interchangeable; ← new for old; → old for new

REF.No	Part No.	Description	Q'ty	S.No.	I/C	REMARKS	Weight (kgf)	Weight (lb)
010	7J612-63010	CYLINDER 1	2				0	0
020	7J612-63100	TUBE 1 COMP.	2				0	0
030	7J612-63200	ROD 1 COMP.	2				0	0
040	7J612-63310	HEAD 1	2				0	0
050	7J612-63350	PISTON 1	2				0	0
060	75598-13310	NUT	2				0.045	0.099
070	7J612-63400	SEAL KIT.1	2				0	0
080	75599-81530	FITTING GREASE	2			1/8-27NPTF	0	0

CYLINDER (BUCKET)[COMPONENT PARTS]



7.614-007-10



CYLINDER (BUCKET)[COMPONENT PARTS]

↔ Interchangeable; ≠ not interchangeable; ← new for old; → old for new

REF.No	Part No.	Description	Q'ty	S.No.	I/C	REMARKS	Weight (kgf)	Weight (lb)
010	7J612-64013	CYLINDER 2	1				0	0
020	7J612-64100	TUBE 2 COMP.	1				0	0
030	7J612-64202	ROD 2 COMP.	1				0	0
040	7J612-64310	HEAD 2	1				0	0
050	7J612-64350	PISTON 2	1				0	0
060	75598-13322	NUT	1				0.058	0.1276
070	7J612-64400	SEAL KIT.2	1				0	0