

Instructions for Parts Books

The heading at the top of the page will be the same for the picture of the parts as it is for the page with the part numbers.

Definition of column headings on part number pages:

REF.No → The number referring to the part on the picture page of the parts book.

Part No. → The number assigned to this part at the time of printing the parts book.

Description → Description of part.

Q'ty → Quantity of part used on that page.

S.No. → Serial number range of the equipment that this part will fit.

>= Your serial number should be greater than or equal to the number shown.

<= Your serial number should be lesser than or equal to the serial number shown.

I/C → Interchangeability of part shown.

↔ The part shown will work for the older and later serial number.

The part shown is not interchangeable with the other serial number.

← new for old

→ old for new

Remarks → Notes about this particular part. Sometimes this may say except [FR] or [CA]

Note about Country Codes:

The parts books we use in the United States of America may also contain information about a part that would be different in another country. It is important that you are aware of the country codes in some instances.

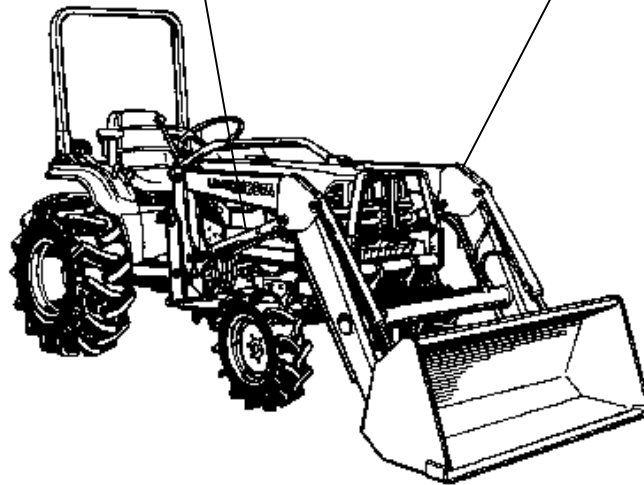
Symbol	Country
A	United States of America
CA	Canada
FR	France
GR	Greece
PO	Portugal
AU	Australia

If the remarks column says for example EXCEPT [FR] this part works in all countries except France. That means it will work here in the USA.

ALL PRODUCT INDEX
LA272

HYDRAULIC SYSTEM

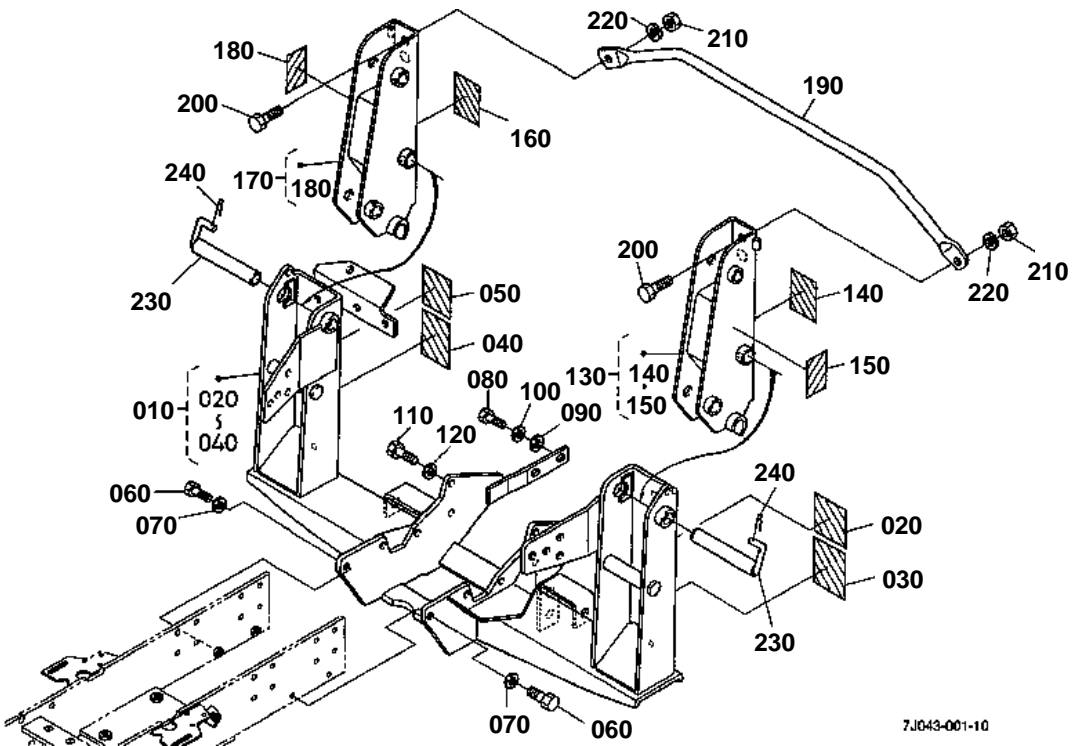
FRAME/BOOM



ACCESSORIES

Item	Part No.	Description	Book
FRAME/BOOM	01A00101	MAIN FRAME	100K0553
HYDRAULIC SYSTEM	01A10101	CYLINDER/HYDRAULIC HOSE	100K0553
	01A10301	HYDRAULIC TUBE	100K0553
	01A104	HYDRAULIC HOSE 1	100K0553
	01A10501	HYDRAULIC HOSE 2	100K0553
FRAME/BOOM	01A30001	BRACE	100K0553
	01A30101	BOOM	100K0553
HYDRAULIC SYSTEM	01A50101	CONTROL VALVE [3-POSITION VALVE KIT]	100K0553
	01A50103	CONTROL VALVE [4-POSITION VALVE KIT]	100K0553
	01A50301	CONTROL VALVE [COMPONENT PARTS] [3-POSI.VALVE KIT]	100K0553
	01A50302	CONTROL VALVE [COMPONENT PARTS] [4-POSI.VALVE KIT]	100K0553
	01A50401	CONTROL LEVER [3,4-POSITION VALVE KIT]	100K0553
	01A70101	CYLINDER (BOOM) [COMPONENT PARTS]	100K0553
	01A70401	CYLINDER (BUCKET) [COMPONENT PARTS]	100K0553
ACCESSORIES	01A901	ACCESSORIES AND SERVICE PARTS	100K0553

MAIN FRAME



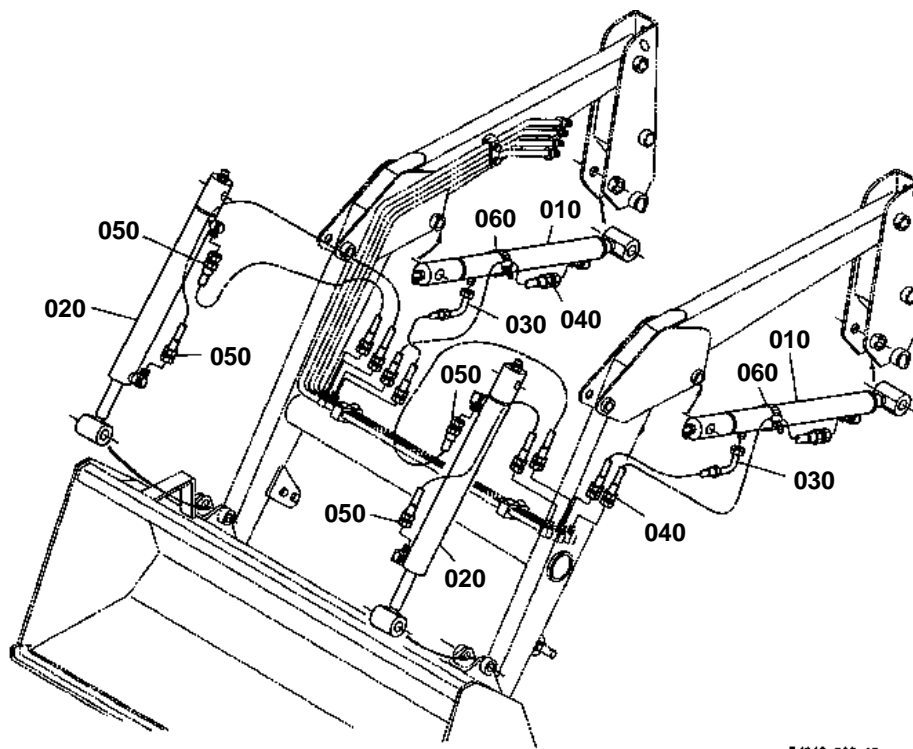


MAIN FRAME

↔ Interchangeable; ≠ not interchangeable; ← new for old; → old for new

REF.No	Part No.	Description	Q'ty	S.No.	I/C	REMARKS	Weight (kgf)	Weight (lb)
010	7J043-90110	FRAME MAIN(LABEL)	1				0	0
020	75546-56410	LABEL DANGER 1	1				0	0
030	75567-56420	LABEL DANGER 2	1				0	0
040	75546-56450	LABEL CAUTION 1	1				0	0
050	75540-62360	LABEL CONTROL	1				0	0
060	01073-51435	BOLT	4				0.063	0.1386
070	75599-33016	WASHER SPRING LOCK	4				0.08	0.176
080	01073-51230	BOLT	4				0.041	0.0902
090	75599-32015	WASHER PLAIN	4				0	0
100	04512-50120	WASHER SPRING	4				0	0
110	01053-51235	BOLT	6				0.042	0.0924
120	04512-50120	WASHER SPRING	6				0	0
130	7J043-90130	FRAME SIDE LH(LABEL)	1				0	0
140	75546-56430	LABEL DANGER 3	1				0	0
150	75546-56440	LABEL WARNING 1	1				0	0
160	75580-56370	LABEL LUBRICATE	1				0	0
170	7J043-90140	FRAME SIDE RH(LABEL)	1				0	0
180	75546-56440	LABEL WARNING 1	1				0	0
190	7J043-56710	CONNECTOR SIDE FRAME	1				0	0
200	75599-04625	HEX.BOLT	2				0	0
210	75599-31066	HEX.NUT	2				0	0
220	75599-33016	WASHER SPRING LOCK	2				0.08	0.176
230	7J043-56810	PIN MOUNT	2				0	0
240	75599-56004	HAIRPIN COTTER	2				0	0

CYLINDER/HYDRAULIC HOSE



7J043-003-10

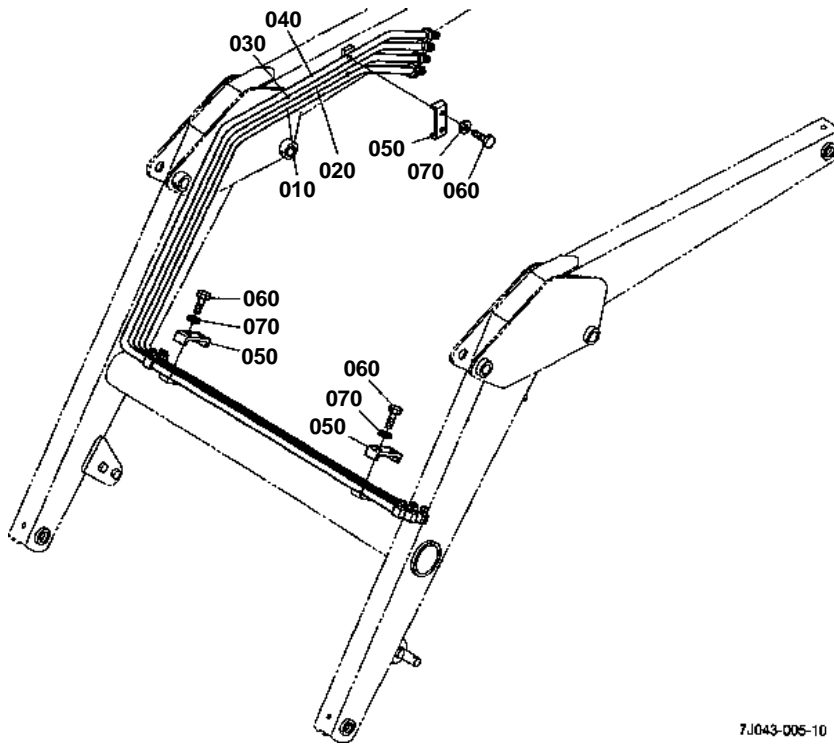


CYLINDER/HYDRAULIC HOSE

↔ Interchangeable; ≠ not interchangeable; ← new for old; → old for new

REF.No	Part No.	Description	Q'ty	S.No.	I/C	REMARKS	Weight (kgf)	Weight (lb)
010	75536-63010	CYLINDER 1	2			REFER TO L.No.B13-L FOR COMPONENTS. REFER TO L.No.B14-L FOR COMPONENTS.	0	0
020	75536-64010	CYLINDER 2	2				0	0
030	75532-66610	HOSE 8 HYDRAULIC	2				0	0
040	75536-66620	HOSE 9 HYDRAULIC	2				0	0
050	75532-66630	HOSE 10 HYDRAULIC	4				0	0
060	75590-64650	BAND CODE	2				0	0

HYDRAULIC TUBE



7JG43-005-10

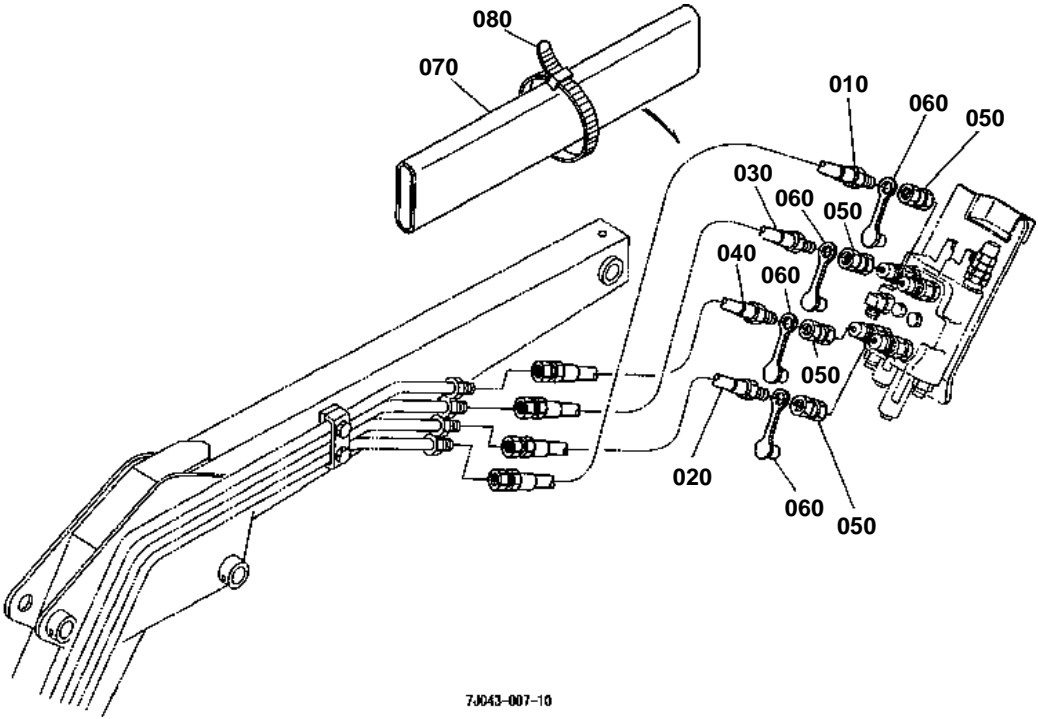


HYDRAULIC TUBE

↔ Interchangeable; ≠ not interchangeable; ← new for old; → old for new

REF.No	Part No.	Description	Q'ty	S.No.	I/C	REMARKS	Weight (kgf)	Weight (lb)
010	7J043-65110	TUBE 1 HYDRAULIC	1				0	0
020	7J043-65210	TUBE 2 HYDRAULIC	1				0	0
030	7J043-65310	TUBE 3 HYDRAULIC	1				0	0
040	7J043-65410	TUBE 4 HYDRAULIC	1				0	0
050	75532-65510	CLAMP	3				0	0
060	75599-01220	HEX.BOLT	6				0	0
070	75599-33012	WASHER SPRING	6				0	0

HYDRAULIC HOSE 1



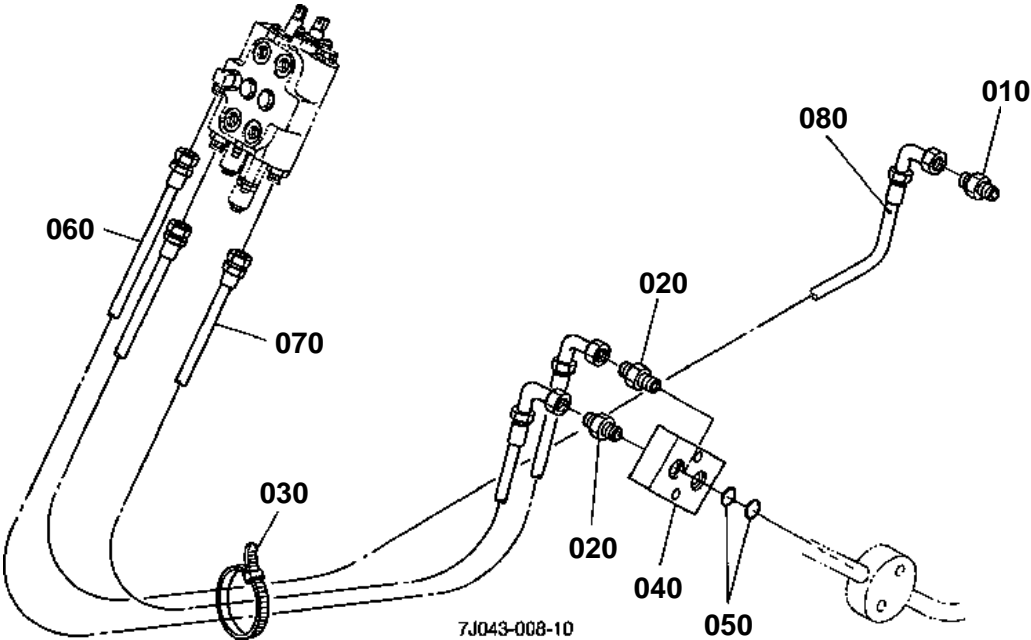


HYDRAULIC HOSE 1

↔ Interchangeable; ≠ not interchangeable; ← new for old; → old for new

REF.No	Part No.	Description	Q'ty	S.No.	I/C	REMARKS	Weight (kgf)	Weight (lb)
010	75532-66110	HOSE 1 HYDRAULIC	1				0	0
020	7J043-66120	HOSE 2 HYDRAULIC	1				0	0
030	7J043-66110	HOSE 1 HYDRAULIC	1				0	0
040	7J043-66120	HOSE 2 HYDRAULIC	1				0	0
050	75536-66322	COUPLER	4				0	0
060	75536-66332	PLUG DUST(72PDP-4)	4				0	0
070	75536-77260	SLEEVE 3	1				0	0
080	75590-64650	BAND CODE	1				0	0

HYDRAULIC HOSE 2



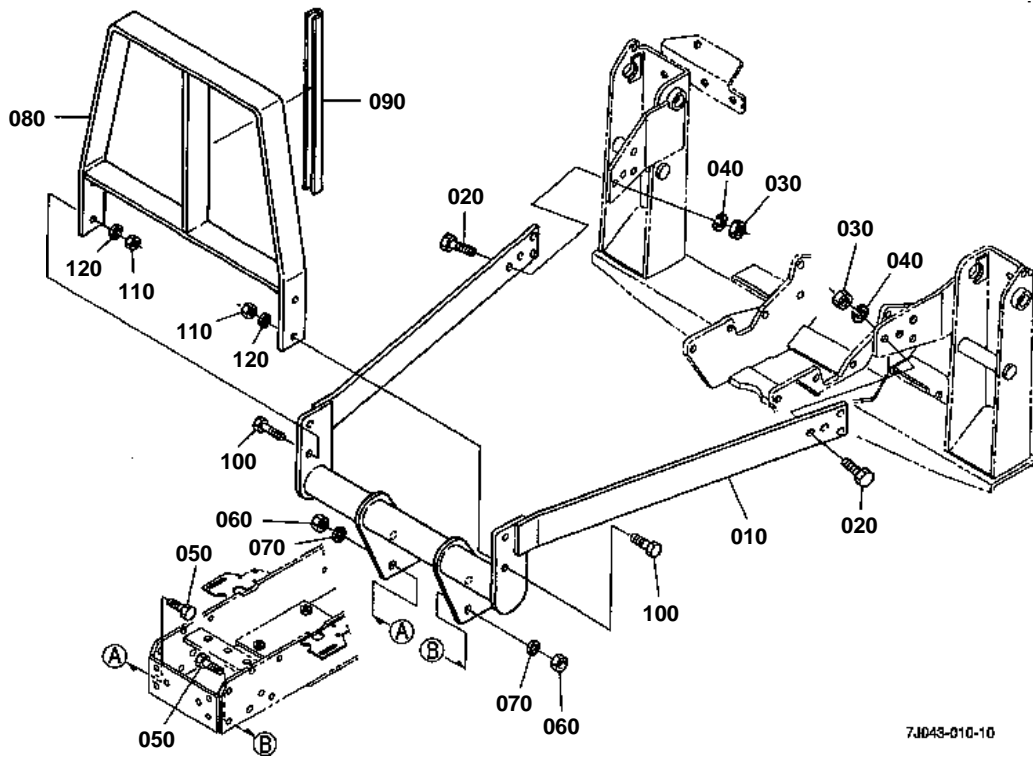


HYDRAULIC HOSE 2

↔ Interchangeable; ≠ not interchangeable; ← new for old; → old for new

REF.No	Part No.	Description	Q'ty	S.No.	I/C	REMARKS	Weight (kgf)	Weight (lb)
010	75582-66810	ADAPTER 1	1				0	0
020	75536-66810	ADAPTER 1	2				0	0
030	75590-64650	BAND CODE	3				0	0
040	75536-68112	BLOCK HYDRAULIC	1				0	0
050	75536-68132	O-RING	2				0	0
060	75536-66313	HOSE 5 HYDRAULIC	1				0	0
070	75536-66413	HOSE 6 HYDRAULIC	1				0	0
080	75536-66513	HOSE 7 HYDRAULIC	1				0	0

BRACE



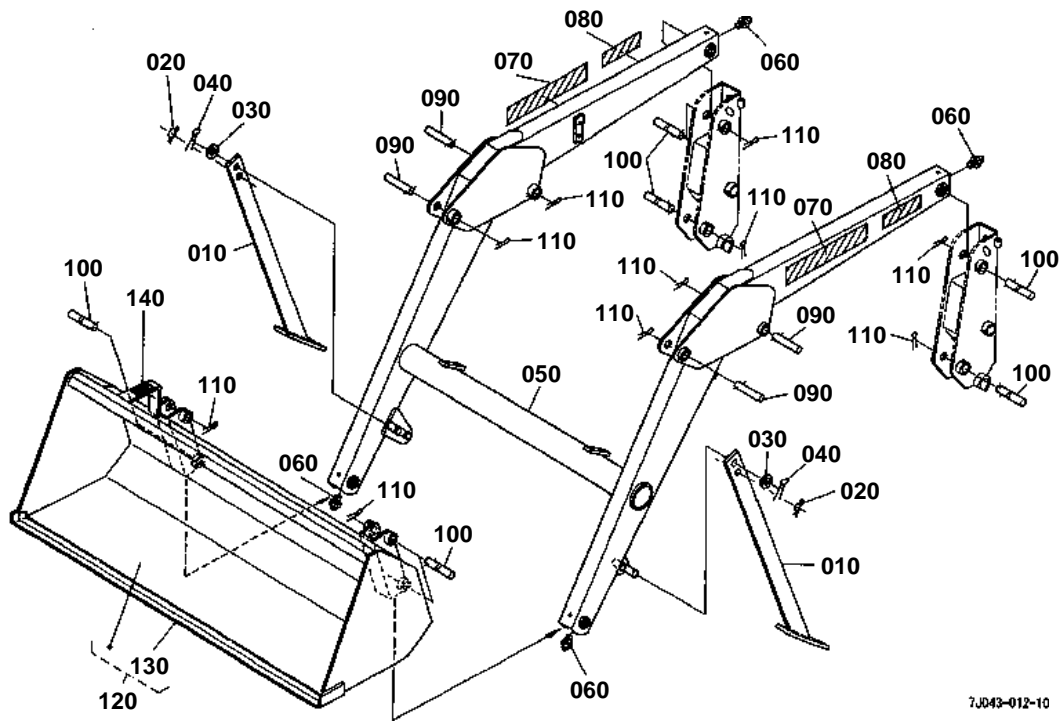


BRACE

↔ Interchangeable; ≠ not interchangeable; ← new for old; → old for new

REF.No	Part No.	Description	Q'ty	S.No.	I/C	REMARKS	Weight (kgf)	Weight (lb)
010	75536-57404	BRACE	1				0	0
020	75599-04630	HEX.BOLT	8				0	0
030	75599-31066	HEX.NUT	8				0	0
040	75599-33016	WASHER SPRING LOCK	8				0.08	0.176
050	75599-04635	HEX.BOLT	6				0	0
060	75599-31066	HEX.NUT	6				0	0
070	75599-33016	WASHER SPRING LOCK	6				0.08	0.176

BOOM

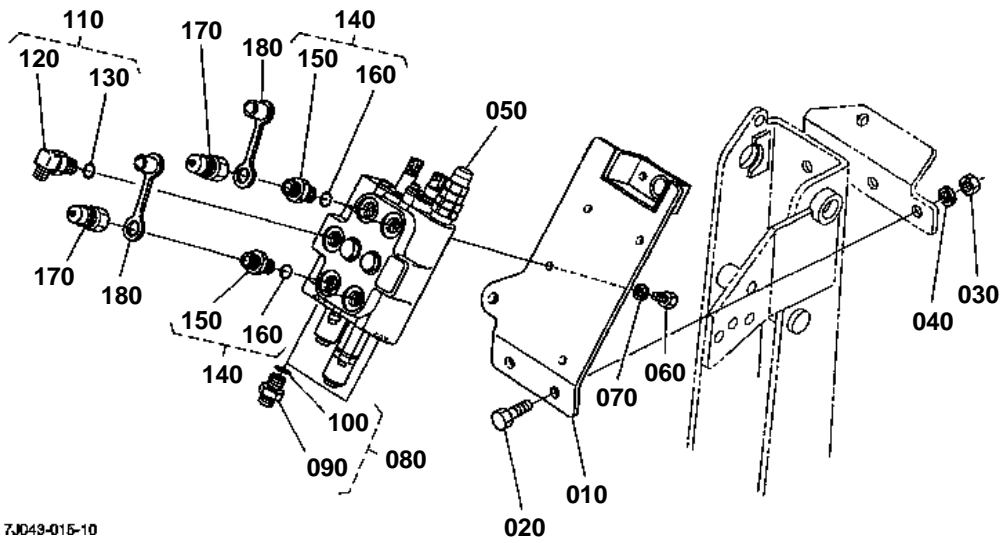


**BOOM**

↔ Interchangeable; ≠ not interchangeable; ← new for old; → old for new

REF.No	Part No.	Description	Q'ty	S.No.	I/C	REMARKS	Weight (kgf)	Weight (lb)
010	7J043-57550	STAND	2				0	0
020	75599-56006	HAIRPIN COTTER	2				0	0
030	75599-32017	WASHER PLAIN	2				0	0
040	75599-53183	PIN COTTER	2				0	0
050	7J043-58010	BOOM	1				0	0
060	75599-81520	FITTING GREASE	4				0	0
070	75580-58450	LABEL KUBOTA	2				0	0
080	7J042-58460	LABEL LA272	2				0	0
090	75532-58512	PIN 1	4				0	0
100	75532-58742	PIN 4	8				0	0
110	75599-53216	PIN COTTER	12				0	0
120	75536-59010	BUCKET 48	1				0	0
130	75532-59320	EDGE CUTTING	1				0	0
140	75540-59450	LABEL LEVELER	1				0	0

CONTROL VALVE [3-POSITION VALVE KIT]



7J049-015-10

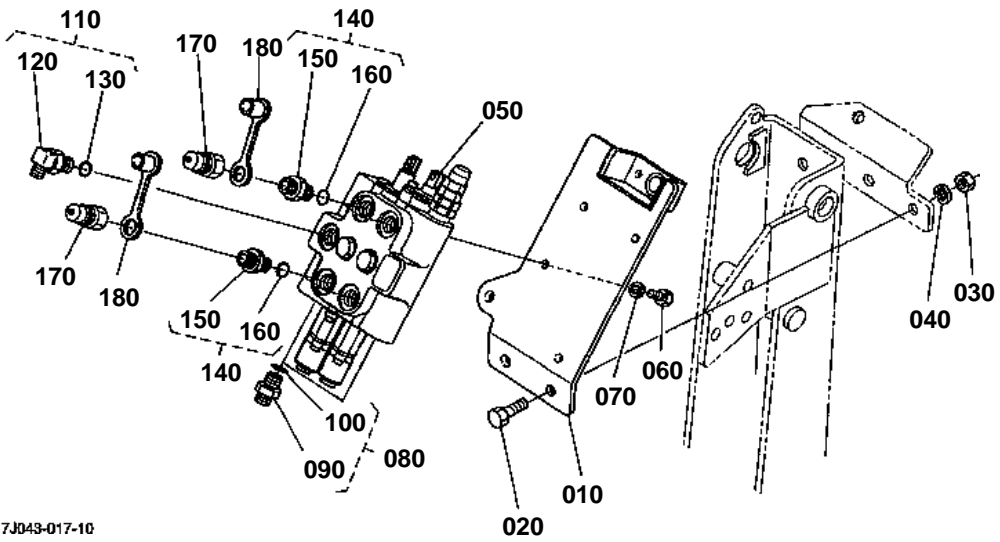


CONTROL VALVE [3-POSITION VALVE KIT]
B2006

↔ Interchangeable; ≠ not interchangeable; ← new for old; → old for new

REF.No	Part No.	Description	Q'ty	S.No.	I/C	REMARKS	Weight (kgf)	Weight (lb)
010	75536-66110	STAY VALVE	1				0	0
020	75599-03525	HEX.BOLT	3				0	0
030	75599-31015	HEX.NUT	3				0	0
040	75599-33015	WASHER SPRING LOCK	3				0	0
050	7J044-61010	VALVE CONTROL	1			REFER TO L.No.B10-L FOR COMPONENTS.	0	0
060	75599-01115	HEX.BOLT	2				0	0
070	75599-33011	WASHER SPRING LOCK	2				0	0
080	75540-61800	ASSY ADAPTER 1	2				0	0
090	75540-61810	ADAPTER 1	2				0	0
100	75540-61820	O-RING	2				0	0
110	75540-61900	ASSY ELBOW ADJUSTABL	1				0	0
120	75540-61910	ELBOW ADJUSTABLE	1				0	0
130	75540-61820	O-RING	1				0	0
140	75532-61800	ASSY ADAPTER 2	4				0	0
150	75532-61810	ADAPTER 2	4			0	0	
160	75540-61820	O-RING	4			0	0	
170	75536-66222	NIPPLE	4			0	0	
180	75536-66432	CAP DUST(72PDC-4)	4			0	0	

CONTROL VALVE [4-POSITION VALVE KIT]



7J043-017-10

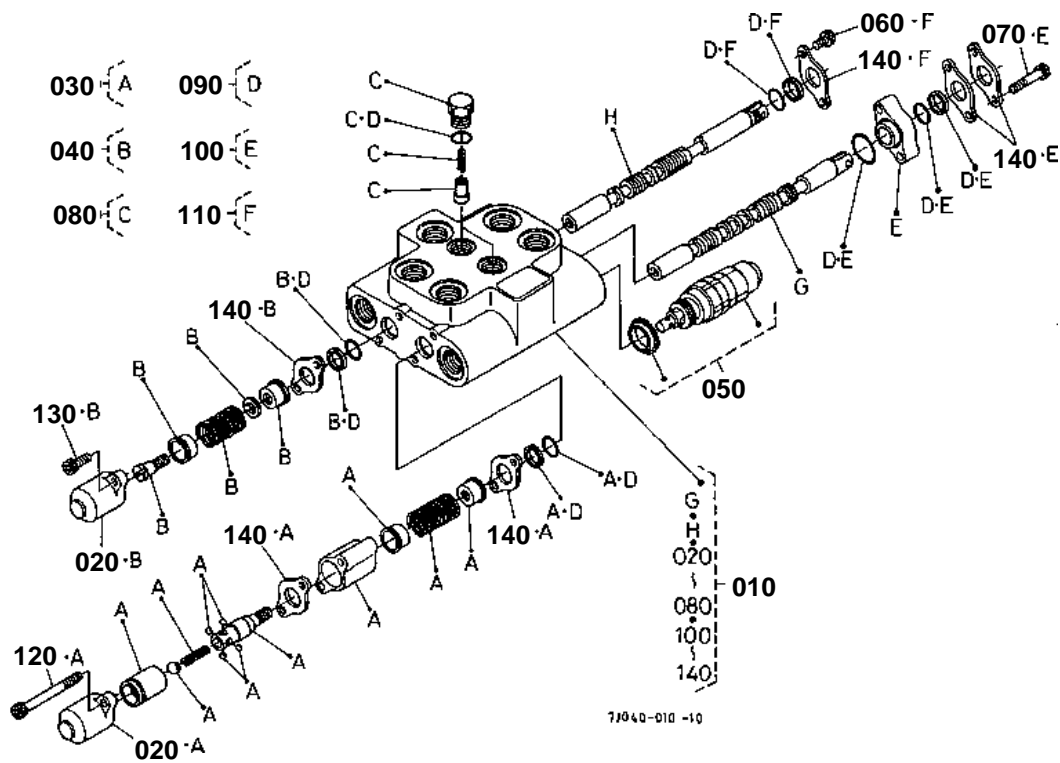


CONTROL VALVE [4-POSITION VALVE KIT]
B2007

↔ Interchangeable; ≠ not interchangeable; ← new for old; → old for new

REF.No	Part No.	Description	Q'ty	S.No.	I/C	REMARKS	Weight (kgf)	Weight (lb)
010	75536-66110	STAY VALVE	1				0	0
020	75599-03525	HEX.BOLT	3				0	0
030	75599-31015	HEX.NUT	3				0	0
040	75599-33015	WASHER SPRING LOCK	3				0	0
050	75533-62010	VALVE CONTROL	1			REFER TO L.No.B10-R FOR COREFER TO L.No.	0	0
060	75599-01115	HEX.BOLT	2				0	0
070	75599-33011	WASHER SPRING LOCK	2				0	0
080	75540-61800	ASSY ADAPTER 1	2				0	0
090	75540-61810	ADAPTER 1	2				0	0
100	75540-61820	O-RING	2				0	0
110	75540-61900	ASSY ELBOW ADJUSTABL	1				0	0
120	75540-61910	ELBOW ADJUSTABLE	1				0	0
130	75540-61820	O-RING	1				0	0
140	75532-61800	ASSY ADAPTER 2	4				0	0
150	75532-61810	ADAPTER 2	4				0	0
160	75540-61820	O-RING	4				0	0
170	75536-66222	NIPPLE	4				0	0
180	75536-66432	CAP DUST(72PDC-4)	4				0	0

CONTROL VALVE [COMPONENT PARTS] [3-POSI.VALVE KIT]



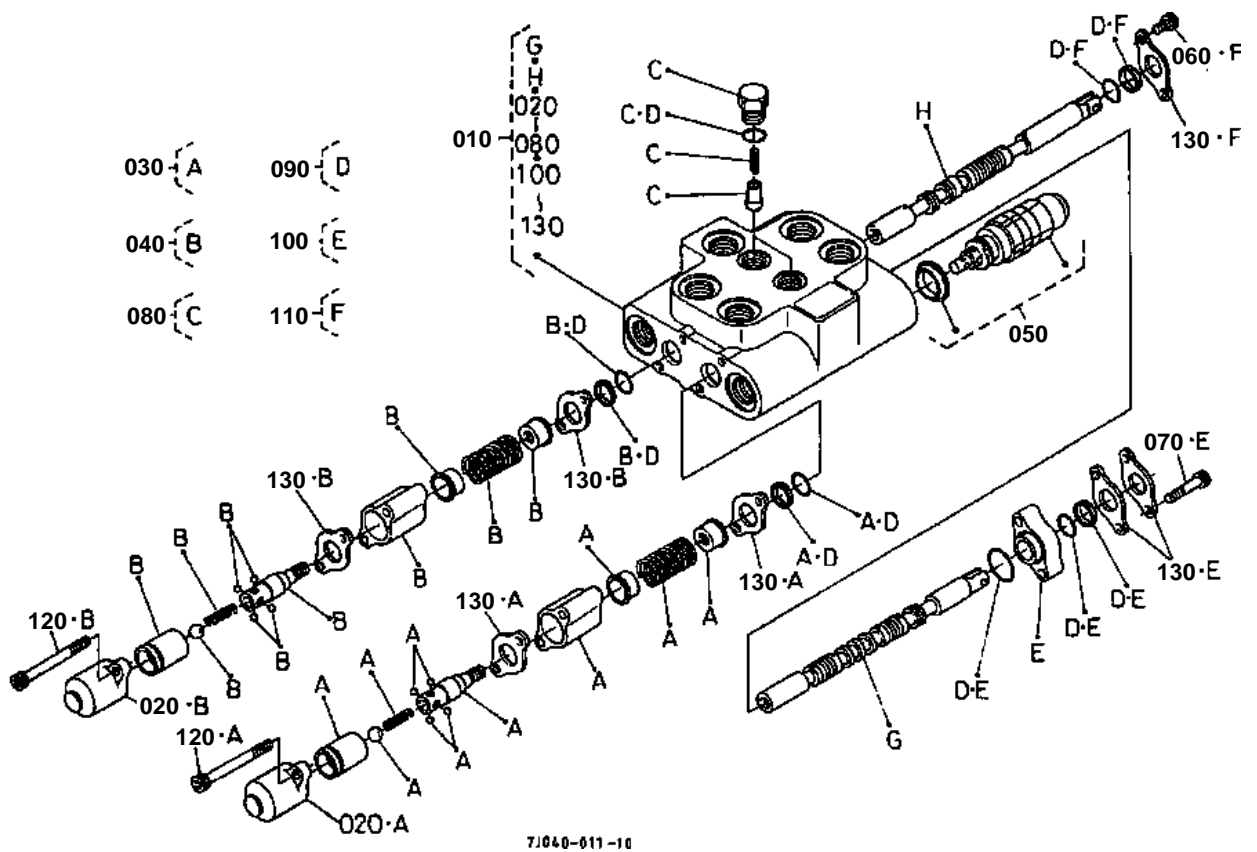


CONTROL VALVE [COMPONENT PARTS] [3-POSI.VALVE KIT]
B2006

↔ Interchangeable; ≠ not interchangeable; ← new for old; → old for new

REF.No	Part No.	Description	Q'ty	S.No.	I/C	REMARKS	Weight (kgf)	Weight (lb)
010	7J044-61010	VALVE CONTROL	1				0	0
020	75540-61450	CAP-SPOOL	2				0	0
030	75536-65400	KIT DETENT FLOAT	1				0	0
040	7J240-65100	KIT REGEN.	1				0	0
050	75537-61500	ASSY RELIEF VALVE	1				0	0
060	75536-65700	CAP SCREW-SOC.HD.	2				0	0
070	75540-61410	CAP SCREW-SOC.HD.	2				0	0
080	75536-65200	KIT LOAD CHECK	2				0	0
090	75536-65300	KIT SEAL	1				0	0
100	75536-65500	KIT UPPER BOOM SPOOL	1				0	0
110	75536-65600	KIT UPPER BKT.SPOOL	1				0	0
120	75536-65900	CAP SCREW-SOC.HD.	2				0	0
130	75540-61460	CAP SCREW-SOC.HD.	2				0	0
140	75540-61330	PLATE-SEAL	6				0	0

CONTROL VALVE [COMPONENT PARTS] [4-POSI.VALVE KIT]



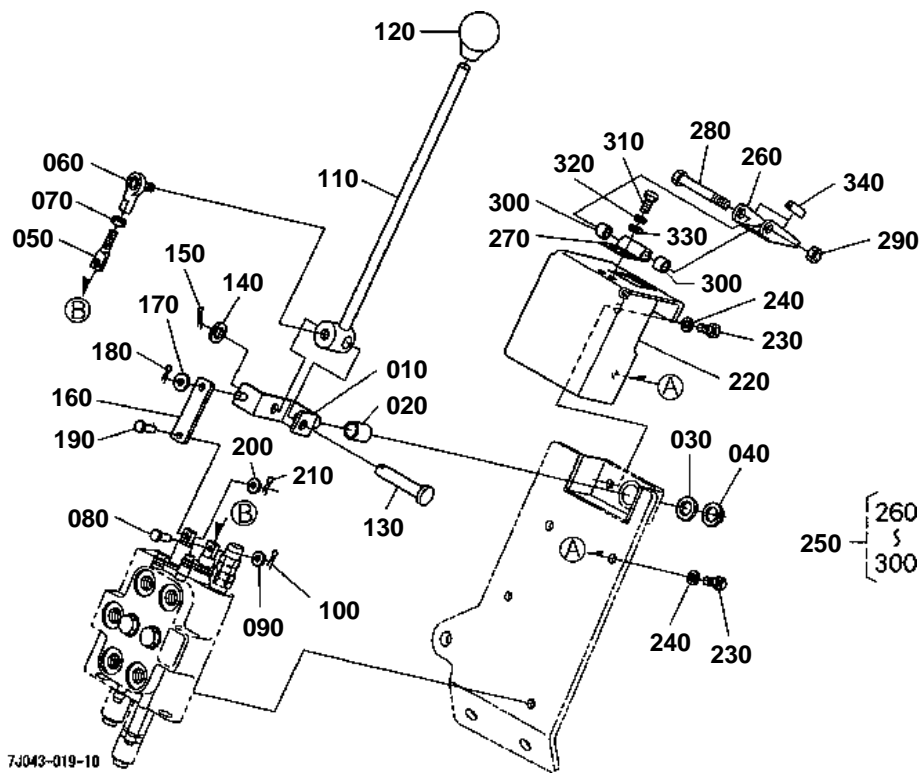


CONTROL VALVE [COMPONENT PARTS] [4-POSI.VALVE KIT]
B2007

↔ Interchangeable; ≠ not interchangeable; ← new for old; → old for new

REF.No	Part No.	Description	Q'ty	S.No.	I/C	REMARKS	Weight (kgf)	Weight (lb)
010	75533-62010	VALVE CONTROL	1				0	0
020	75540-61450	CAP-SPOOL	2				0	0
030	75536-65400	KIT DETENT FLOAT	1				0	0
040	75536-65100	KIT DETENT REGEN.	1				0	0
050	75537-61500	ASSY RELIEF VALVE	1				0	0
060	75536-65700	CAP SCREW-SOC.HD.	2				0	0
070	75540-61410	CAP SCREW-SOC.HD.	2				0	0
080	75536-65200	KIT LOAD CHECK	2				0	0
090	75536-65300	KIT SEAL	1				0	0
100	75536-65500	KIT UPPER BOOM SPOOL	1				0	0
110	75536-65600	KIT UPPER BKT.SPOOL	1				0	0
120	75536-65900	CAP SCREW-SOC.HD.	4				0	0
130	75540-61330	PLATE-SEAL	7				0	0

CONTROL LEVER [3,4-POSITION VALVE KIT]



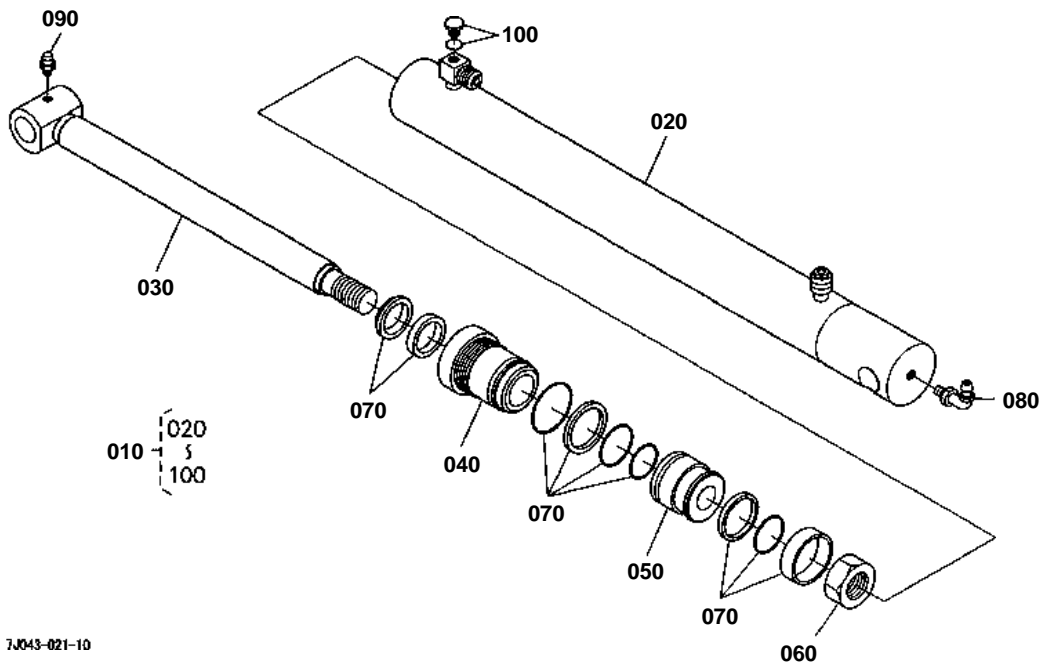


CONTROL LEVER [3,4-POSITION VALVE KIT]
B2006,B2007

↔ Interchangeable; ≠ not interchangeable; ← new for old; → old for new

REF.No	Part No.	Description	Q'ty	S.No.	I/C	REMARKS	Weight (kgf)	Weight (lb)
010	75532-62110	LEVER	1				0	0
020	75540-62140	BUSHING	1				0	0
030	75545-62150	COLLAR	1				0	0
040	75599-41522	CIR-CLIP EXTERNAL	1				0	0
050	75536-62160	ROD	1				0	0
060	75532-62260	JOINT ROD END	1				0	0
070	75599-31042	HEX.JAM NUT	1				0	0
080	75540-62190	PIN	1				0	0
090	75599-32009	WASHER PLAIN	1				0	0
100	75599-53111	PIN COTTER	1				0	0
110	75532-62210	LEVER CONTROL	1				0	0
120	31355-82520	GRIP LEVER	1				0.05	0.11
130	75599-51540	PIN CLEVIS	1				0	0
140	75599-32015	WASHER PLAIN	1				0	0
150	75599-53173	PIN COTTER	1				0.002	0.0044
160	75536-62280	ROD	1				0	0
170	75599-32012	WASHER PLAIN	1				0.002	0.0044
180	75599-53152	PIN COTTER	1				0	0
190	75540-62190	PIN	1				0	0
200	75599-32009	WASHER PLAIN	1				0	0
210	75599-53111	PIN COTTER	1				0	0
220	75536-62310	COVER	1				0	0
230	75599-01215	HEX.BOLT	3				0	0
240	75599-33012	WASHER SPRING LOCK	3				0	0
250	75548-62400	ASSY LIMITER	1				0	0
260	75540-62410	PLATE LIMITER	1				0	0
270	75548-62420	HINGE	1				0	0
280	75599-01255	HEX.BOLT	1				0	0
290	75599-31912	NUT LOCKING	1				0	0
300	75548-62440	CUSHION RUBBER	2				0	0
310	75599-01212	HEX.BOLT	2				0	0
320	75599-33012	WASHER SPRING LOCK	2				0	0
330	75599-32012	WASHER PLAIN	2				0.002	0.0044
340	75540-62450	CUSHION RUBBER	2				0	0

CYLINDER (BOOM) [COMPONENT PARTS]



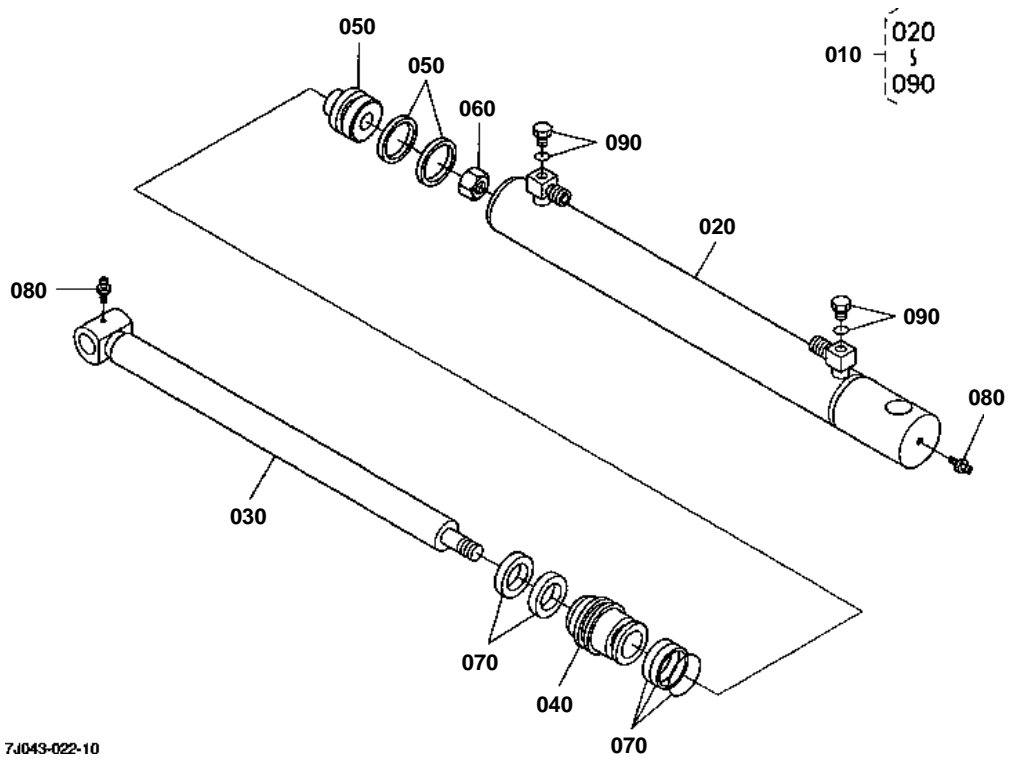


CYLINDER (BOOM) [COMPONENT PARTS]

↔ Interchangeable; ≠ not interchangeable; ← new for old; → old for new

REF.No	Part No.	Description	Q'ty	S.No.	I/C	REMARKS	Weight (kgf)	Weight (lb)
010	75536-63010	CYLINDER 1	2				0	0
020	75536-63100	TUBE 1 COMP	2				0	0
030	75536-63200	ROD 1 COMP	2				0	0
040	75536-63310	HEAD	2				0	0
050	75536-63350	PISTON	2				0	0
060	75536-63360	NUT	2				0	0
070	75536-63400	KIT SEAL	2				0	0
080	75532-63470	FITTING GREASE	2				0	0
090	75599-81531	FITTING GREASE	2				0	0
100	75590-13270	PLUG	2				0	0

CYLINDER (BUCKET) [COMPONENT PARTS]



7J043-022-10



CYLINDER (BUCKET) [COMPONENT PARTS]

↔ Interchangeable; ≠ not interchangeable; ← new for old; → old for new

REF.No	Part No.	Description	Q'ty	S.No.	I/C	REMARKS	Weight (kgf)	Weight (lb)
010	75536-64010	CYLINDER 2	2				0	0
020	75536-64100	TUBE 2 COMP	2				0	0
030	75536-64200	ROD 2 COMP	2				0	0
040	75536-63310	HEAD	2				0	0
050	75536-63350	PISTON	2				0	0
060	75536-63360	NUT	2				0	0
070	75536-63400	KIT SEAL	2				0	0
080	75599-81531	FITTING GREASE	2				0	0
090	75590-13270	PLUG	4				0	0



ACCESSORIES AND SERVICE PARTS

↔ Interchangeable; ≠ not interchangeable; ← new for old; → old for new

REF.No	Part No.	Description	Q'ty	S.No.	I/C	REMARKS	Weight (kgf)	Weight (lb)
010	7J043-69110	OPERATOR'S MANUAL	1				0	0