

Instructions for Parts Books

The heading at the top of the page will be the same for the picture of the parts as it is for the page with the part numbers.

Definition of column headings on part number pages:

REF.No → The number referring to the part on the picture page of the parts book.

Part No. → The number assigned to this part at the time of printing the parts book.

Description → Description of part.

Q'ty → Quantity of part used on that page.

S.No. → Serial number range of the equipment that this part will fit.

>= Your serial number should be greater than or equal to the number shown.

<= Your serial number should be lesser than or equal to the serial number shown.

I/C → Interchangeability of part shown.

↔ The part shown will work for the older and later serial number.

The part shown is not interchangeable with the other serial number.

← new for old

→ old for new

Remarks → Notes about this particular part. Sometimes this may say except [FR] or [CA]

Note about Country Codes:

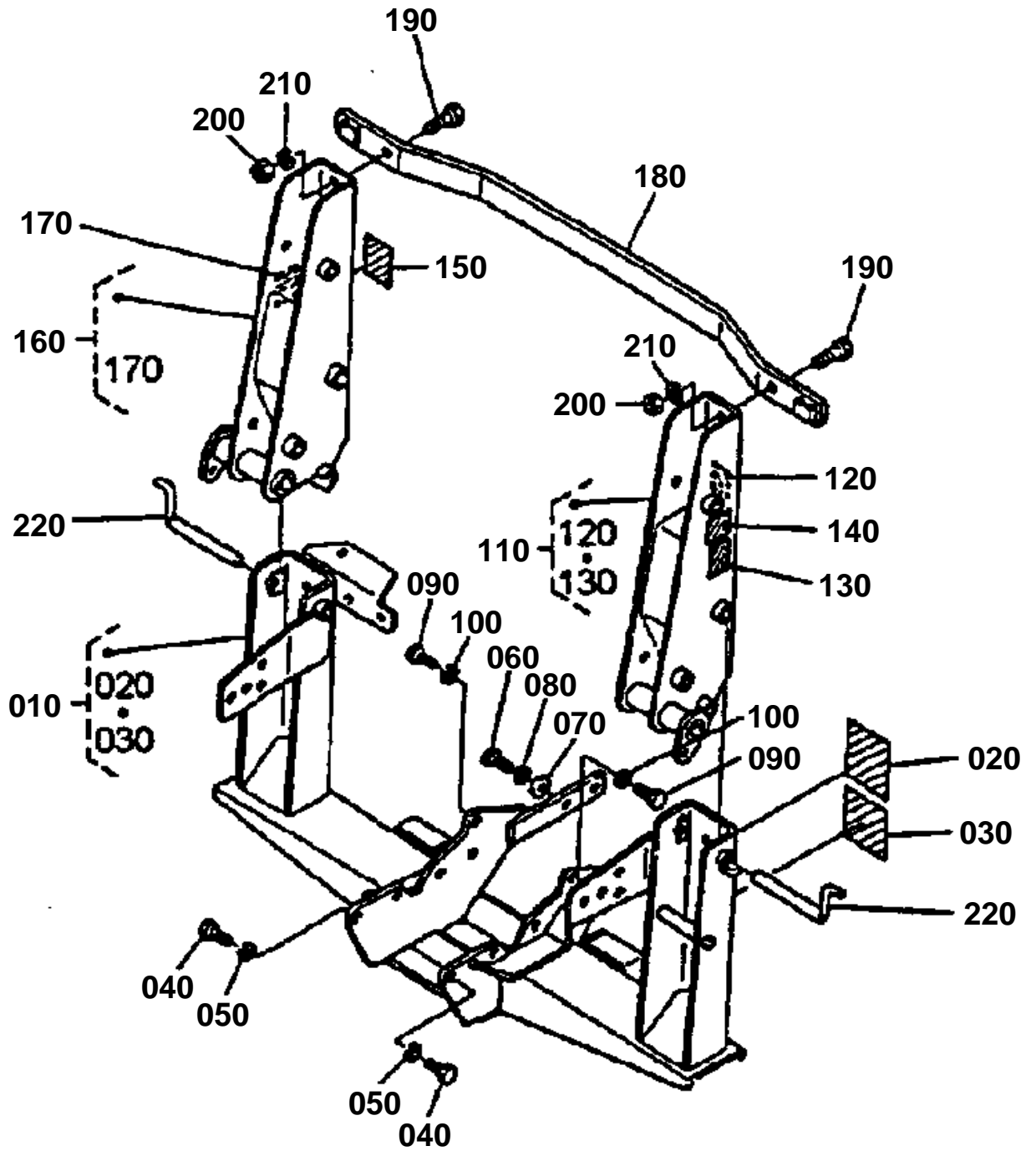
The parts books we use in the United States of America may also contain information about a part that would be different in another country. It is important that you are aware of the country codes in some instances.

Symbol	Country
A	United States of America
CA	Canada
FR	France
GR	Greece
PO	Portugal
AU	Australia

If the remarks column says for example EXCEPT [FR] this part works in all countries except France. That means it will work here in the USA.

Part No.	LA301 Loader	Book
01L001	MAIN FRAME	100K0749
01L00201	BOOM	100K0749
01L00301	CONTROL VALVE	100K0749
01L00302	CONTROL VALVE/CONTROL LEVER	100K0749
01L00401	CONTROL VALVE [COMPONENT PARTS]	100K0749
01L00402	CONTROL VALVE [COMPONENT PARTS]	100K0749
01L005	CONTROL LEVER	100K0749
01L006	CYLINDER-HYDRAULIC HOSE	100K0749
01L007	CYLINDER (BOOM) [COMPONENT PARTS]	100K0749
01L008	CYLINDER (BUCKET) [COMPONENT PARTS]	100K0749
01L009	HYDRAULIC TUBE	100K0749
01L010	HYDRAULIC HOSE	100K0749
01L011	FRONT GUARD	100K0749
01L012	ACCESSORIES AND SERVICE PARTS	100K0749

MAIN FRAME

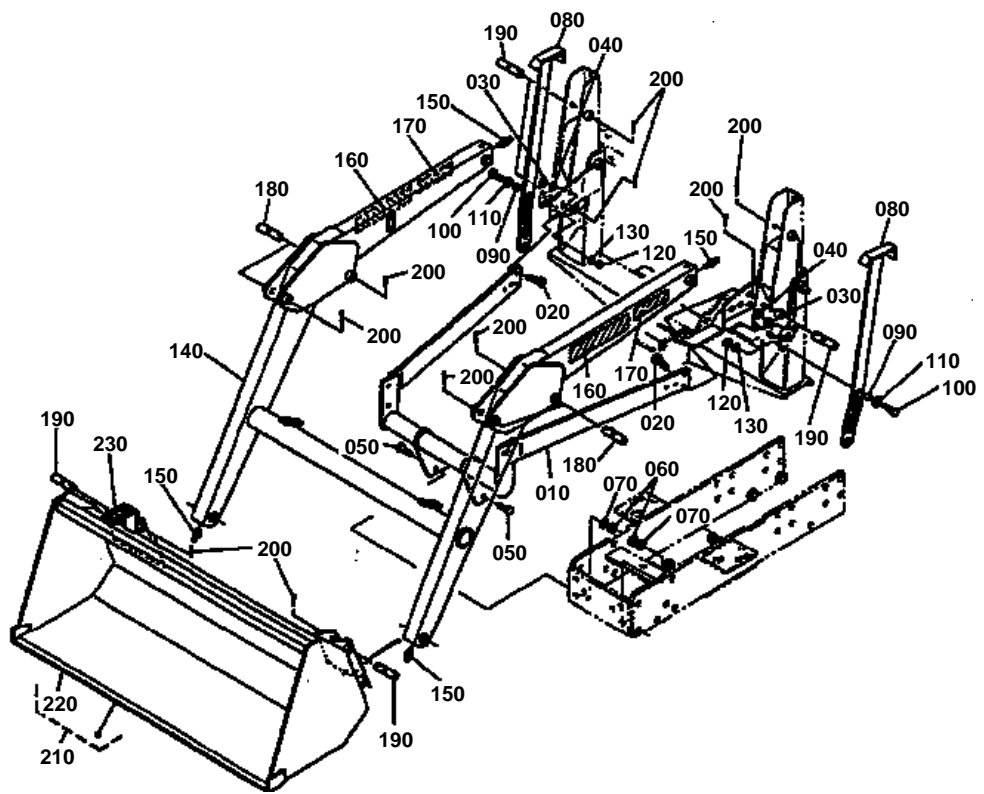


**MAIN FRAME**

↔ Interchangeable; ≠ not interchangeable; ← new for old; → old for new

REF.No	Part No.	Description	Q'ty	S.No.	I/C	REMARKS	Weight (kgf)	Weight (lb)
010	75536-90110	FRAME MAIN(LABEL)	1				59	129.8
020	75546-56410	LABEL DANGER 1	1				0	0
030	75546-56450	LABEL CAUTION 1	1				0.001	0.0022
040	01073-51435	HEX.BOLT(M14*1.5*35)	4				0.063	0.1386
050	75599-33016	WASHER SPRING LOCK(9	4				0.08	0.176
060	01073-51230	HEX.BOLT(M12*1.25*30	4				0.041	0.0902
070	75599-32015	WASHER PLAIN(1/2)	4				0.01	0.022
080	04512-50120	WASHER SPRING LOCK(M	4				0	0
090	01050-51235	HEX.BOLT(M12*1.75*35	6				0	0
100	04512-50120	WASHER SPRING LOCK(M	6				0	0
110	75536-90120	FRAME SIDE LH(LABEL)	1				7.8	17.16
120	75546-56430	LABEL DANGER 3	1				0	0
130	75546-56440	LABEL WARNING 1	1				0	0
140	75536-56350	LABEL MODEL	1				0	0
150	75580-56370	LABEL LUBRICATE	1				0.001	0.0022
160	75536-90130	FRAME SIDE RH(LABEL)	1				6.84	15.048
170	75546-56440	LABEL WARNING 1	1				0	0
180	75536-56710	CONNECTOR SIDE FRAME	1				4	8.8
190	75599-04625	HEX.BOLT(9/16-18UNF*	2				0.056	0.1232
200	75599-31066	HEX.NUT(9/16-18UNF)	2				0.03	0.066
210	75599-33016	WASHER SPRING LOCK(9	2				0.08	0.176
220	75536-56810	PIN	2				0.74	1.628

BOOM

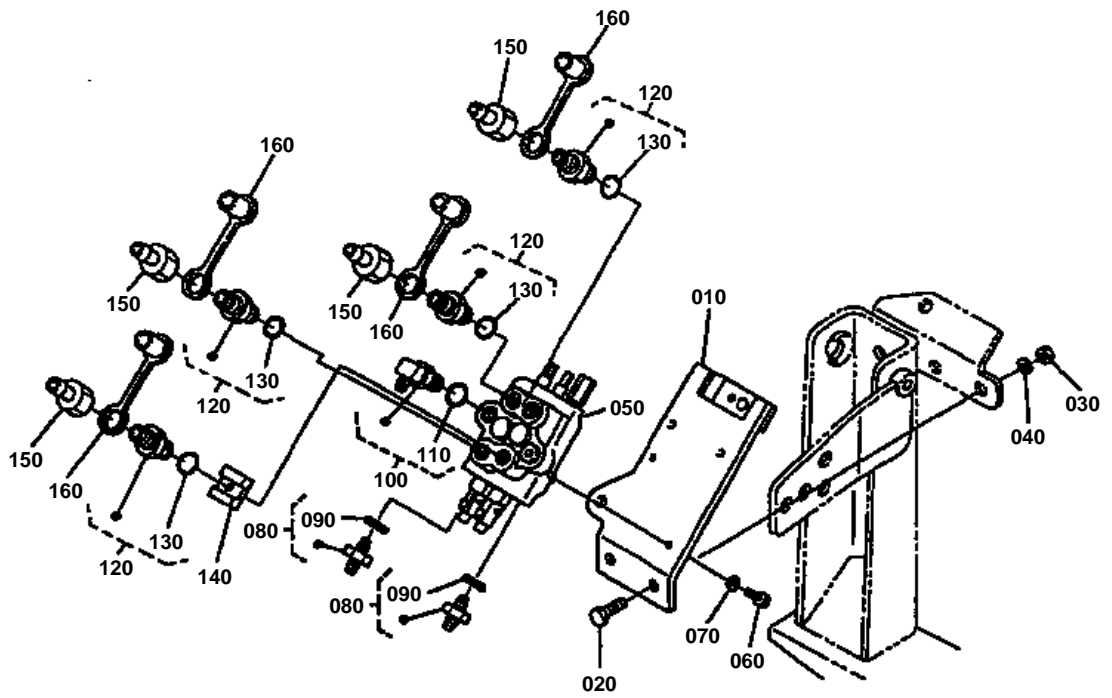


**BOOM**

↔ Interchangeable; ≠ not interchangeable; ← new for old; → old for new

REF.No	Part No.	Description	Q'ty	S.No.	I/C	REMARKS	Weight (kgf)	Weight (lb)
010	75536-57400	BRACE	1				21	46.2
020	75599-04630	HEX.BOLT(9/16-18UNF*	8				0.067	0.1474
030	75599-31066	HEX.NUT(9/16-18UNF)	8				0.03	0.066
040	75599-33016	WASHER SPRING LOCK(9	8				0.08	0.176
050	75599-04635	HEX.BOLT(9/16-18UNF*	6				0.073	0.1606
060	75599-31066	HEX.NUT(9/16-18UNF)	6				0.03	0.066
070	75599-33016	WASHER SPRING LOCK(9	6				0.08	0.176
080	75536-57550	STAND	2				2.3	5.06
090	75536-57580	COLLAR	2				0.015	0.033
100	75599-04530	HEX.BOLT(1/2-20UNF*1	2				0.05	0.11
110	75599-32115	WASHER PLAIN(1/2W)	2				0.02	0.044
120	75599-31025	HEX.NUT(1/2-20UNF)	2				0.015	0.033
130	75599-33015	WASHER SPRING LOCK(1	2				0.006	0.0132
140	75536-58010	BOOM	1				0	0
150	75599-81520	FITTING GREASE(1/4-2	4				0.003	0.0066
160	75580-58450	LABEL KUBOTA	2				0.01	0.022
170	75536-58460	LABEL LA301	2				0.001	0.0022
180	75532-58512	PIN 1	4				0	0
190	75532-58742	PIN 4	8				0	0
200	75599-53216	PIN COTTER(3/16*1 3/	12				0.008	0.0176
210	75536-59010	BUCKET 48	1				0	0
220	75532-59320	EDGE CUTTING	1				6	13.2
230	75540-59450	LABEL LEVELER	1				0.001	0.0022

CONTROL VALVE



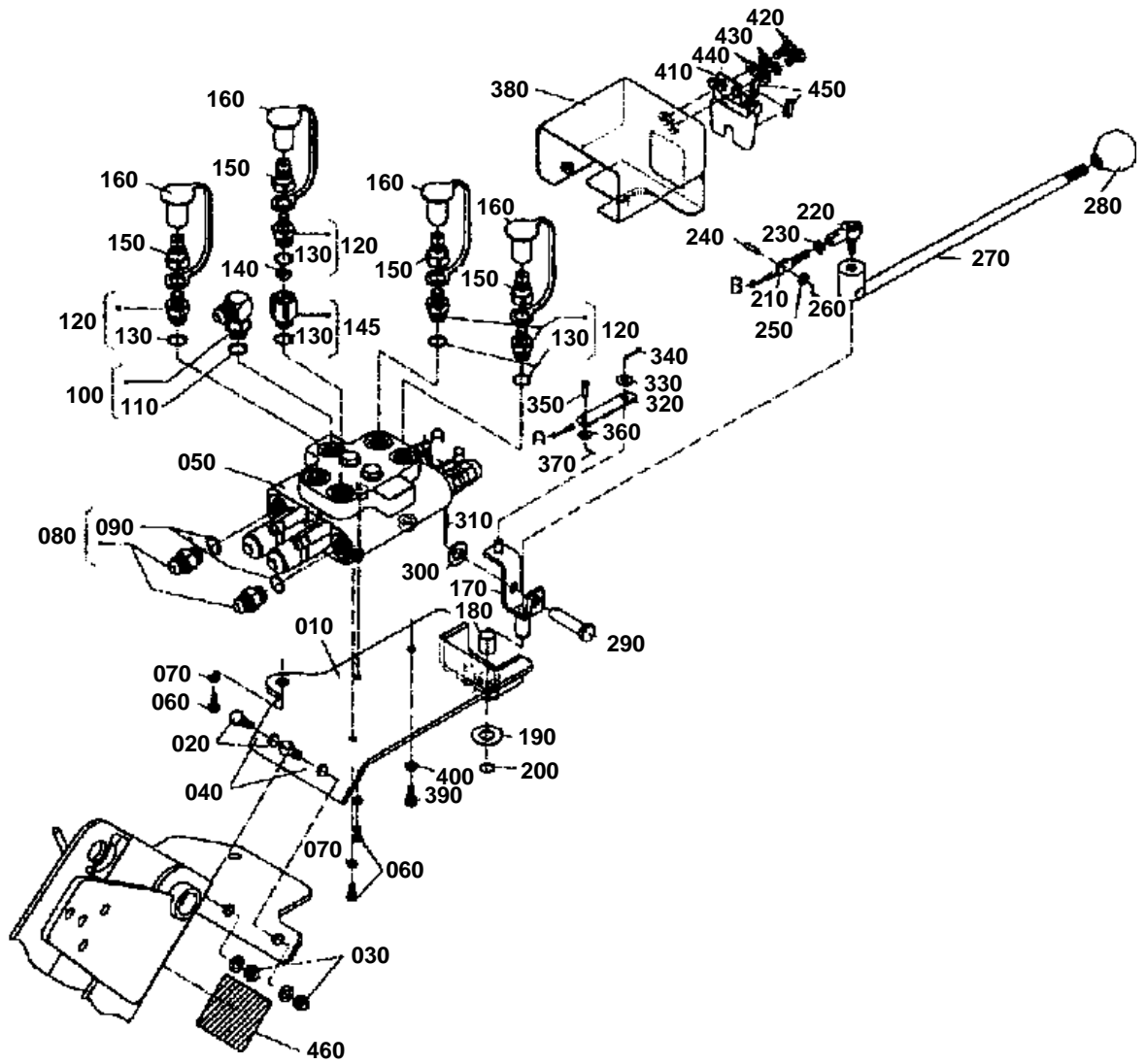


CONTROL VALVE
S.No.LA301:<=14167 LA351:<=13337

↔ Interchangeable; ≠ not interchangeable; ← new for old; → old for new

REF.No	Part No.	Description	Q'ty	S.No.	I/C	REMARKS	Weight (kgf)	Weight (lb)
010	75536-61110	STAY VALVE	1				1.985	4.367
020	75599-03525	HEX.BOLT(1/2-13UNC*1	3				0.025	0.055
030	75599-31015	HEX.NUT(1/2-13UNC)	3				0.01	0.022
040	75599-33015	WASHER SPRING LOCK(1	3				0.006	0.0132
050	75536-61010	VALVE CONTROL	1				7.3	16.06
060	75599-01115	HEX.BOLT(1/4-20UNC*3	2				0.007	0.0154
070	75599-33011	WASHER SPRING LOCK(1	2				0.002	0.0044
080	75540-61800	ASSY ADAPTER 1	2				0.06	0.132
090	75540-61820	O-RING	2				0.001	0.0022
100	75540-61900	ASSY ELBOW ADJUSTABL	1				0.11	0.242
110	75540-61820	O-RING	1				0.001	0.0022
120	75532-61800	ASSY ADAPTER 2	4				0.06	0.132
130	75540-61820	O-RING	4				0.001	0.0022
140	75533-61880	THROTTLE	1				0.01	0.022
150	75532-66222	NIPPLE	4				0	0
160	75532-66430	CAP DUST	4				0.011	0.0242

CONTROL VALVE/CONTROL LEVER

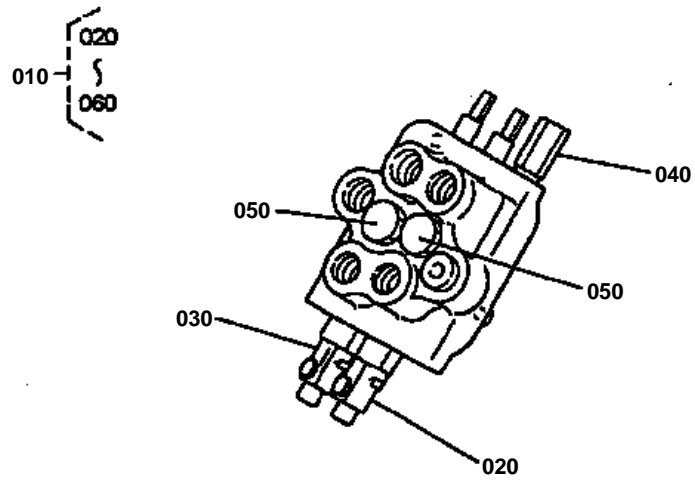




CONTROL VALVE/CONTROL LEVER
S.No.LA301:>=14168 LA351:>=13338

↔ Interchangeable; ≠ not interchangeable; ← new for old; → old for new

REF.No	Part No.	Description	Q'ty	S.No.	I/C	REMARKS	Weight (kgf)	Weight (lb)
010	75536-66110	STAY VALVE	1				2.4	5.28
020	75599-03525	HEX.BOLT (1/2-13UNC*	3				0.025	0.055
030	75599-31015	HEX.NUT (1/2-13UNC)	3				0.01	0.022
040	75599-33015	WASHER SPRING LOCK (3				0.006	0.0132
050	75536-62010	VALVE CONTROL	1				0.008	0.0176
060	75599-01115	HEX.BOLT (1/4-20UNC*	2				0.007	0.0154
070	75599-33011	WASHER SPRING LOCK (2				0.002	0.0044
080	75540-61800	ASSY ADAPTER 1	2				0.06	0.132
090	75540-61820	O-RING	2				0.001	0.0022
100	75540-61900	ASSY ELBOW ADJUSTABL	1				0.11	0.242
110	75540-61820	O-RING	1				0.001	0.0022
120	75532-61800	ASSY ADAPTER 2	4				0.06	0.132
130	75540-61820	O-RING	5				0.001	0.0022
140	75533-61880	THROTTLE	1				0.01	0.022
145	75595-63400	ASSY PLUG ORIFICE	1				0.08	0.176
150	75536-66220	NIPPLE	4				0.04	0.088
160	75536-66430	CAP DUST	4				0.014	0.0308
170	75532-62110	LEVER	1				0.13	0.286
180	75540-62140	BUSHING	1				0.01	0.022
190	75545-62150	COLLAR 5/8	1				0.014	0.0308
200	75599-41522	CIR-CLIP EXTERNAL (5	1				0.001	0.0022
210	75536-62160	ROD 1	1				0.002	0.0044
220	75532-62260	JOINT ROD END	1				0.05	0.11
230	75599-31042	HEX.JAM NUT (5/16-24	1				0.003	0.0066
240	75540-62191	PIN	1				0	0
250	75599-32009	WASHER PLAIN (3/16)	1				0.001	0.0022
260	75599-53111	PIN COTTER (1/32*1/2	1				0.001	0.0022
270	75532-62210	LEVER CONTROL	1				0.5	1.1
280	31355-82520	GRIP LEVER	1				0.05	0.11
290	75599-51540	PIN CLEVIS (1/2*2)	1				0.054	0.1188
300	75599-32015	WASHER PLAIN (1/2)	1				0.01	0.022
310	75599-53173	PIN COTTER (1/8*1)	1				0.002	0.0044
320	75536-62280	ROD 2	1				0.03	0.066
330	75599-32012	WASHER PLAIN (5/16)	1				0.002	0.0044
340	75599-53152	PIN COTTER (3/32*3/4	1				0.001	0.0022
350	75540-62191	PIN	1				0	0
360	75599-32009	WASHER PLAIN (3/16)	1				0.001	0.0022
370	75599-53111	PIN COTTER (1/32*1/2	1				0.001	0.0022
380	75536-62310	COVER	1				0.91	2.002
390	75599-01215	HEX.BOLT (5/16-18UNC	3				0.011	0.0242
400	75599-33012	WASHER SPRING LOCK (3				0.002	0.0044
410	75548-62400	ASSY LIMITER	1				0.12	0.264
420	75599-01212	HEX.BOLT (5/16-18UNC	2				0.012	0.0264
430	75599-33012	WASHER SPRING LOCK (2				0.002	0.0044
440	75599-32012	WASHER PLAIN (5/16)	2				0.002	0.0044
450	75540-62450	CUSHION 1 RUBBER	2				0.001	0.0022
460	75540-62360	LABEL CONTROL	1				0.001	0.0022
470	75536-81000	MONO BLOCK VALVE KIT	1	>=14168		NOT SHOWN IN FIG	15	33



060 : NOT SHOWING IN FIG.

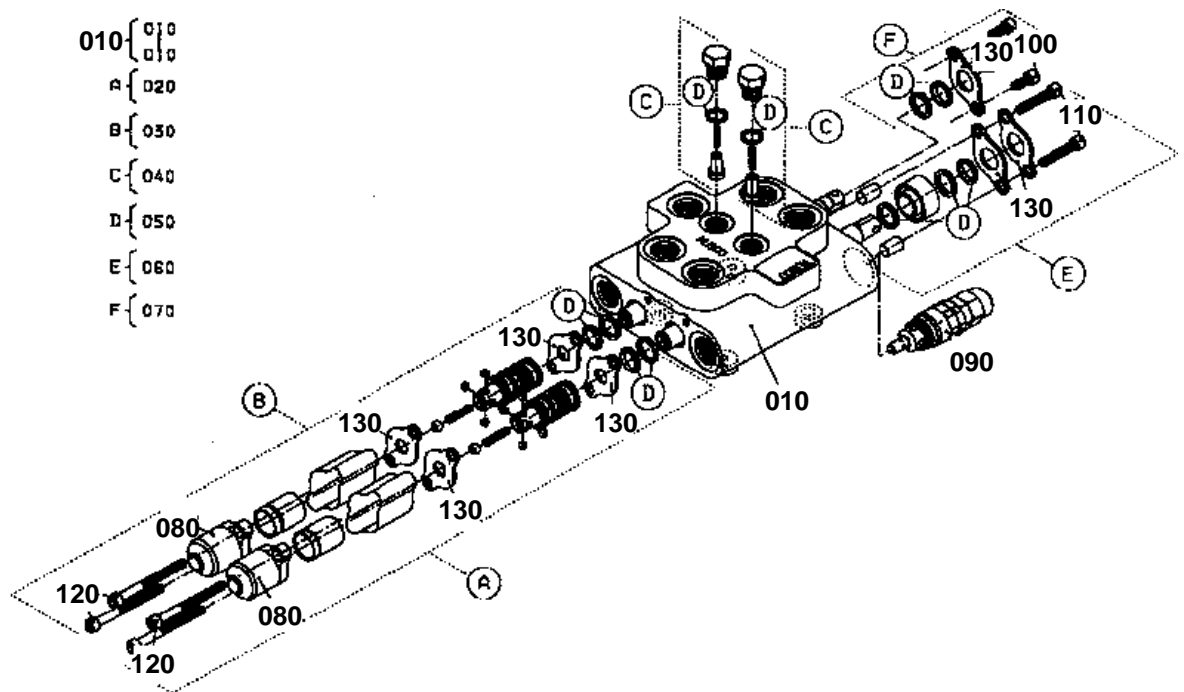


CONTROL VALVE [COMPONENT PARTS]
S.No.LA301:<=14167 LA351:<=13337

↔ Interchangeable; ≠ not interchangeable; ← new for old; → old for new

REF.No	Part No.	Description	Q'ty	S.No.	I/C	REMARKS	Weight (kgf)	Weight (lb)
010	75536-61010	VALVE CONTROL	1				7.3	16.06
020	75532-61300	KIT DETENT FLOAT(160	1				0.14	0.308
030	75532-61400	KIT DETENT REGEN.(16	1				0.14	0.308
040	75536-61500	ASSY RELIEF VALVE	1				0.11	0.242
050	75530-61800	KIT LOAD CHECK(1602-	2				0.004	0.0088
060	75532-61900	KIT SEAL	1				0.003	0.0066

CONTROL VALVE [COMPONENT PARTS]



- 010 { 010
010
- A { 020
- B { 030
- C { 040
- D { 050
- E { 060
- F { 070

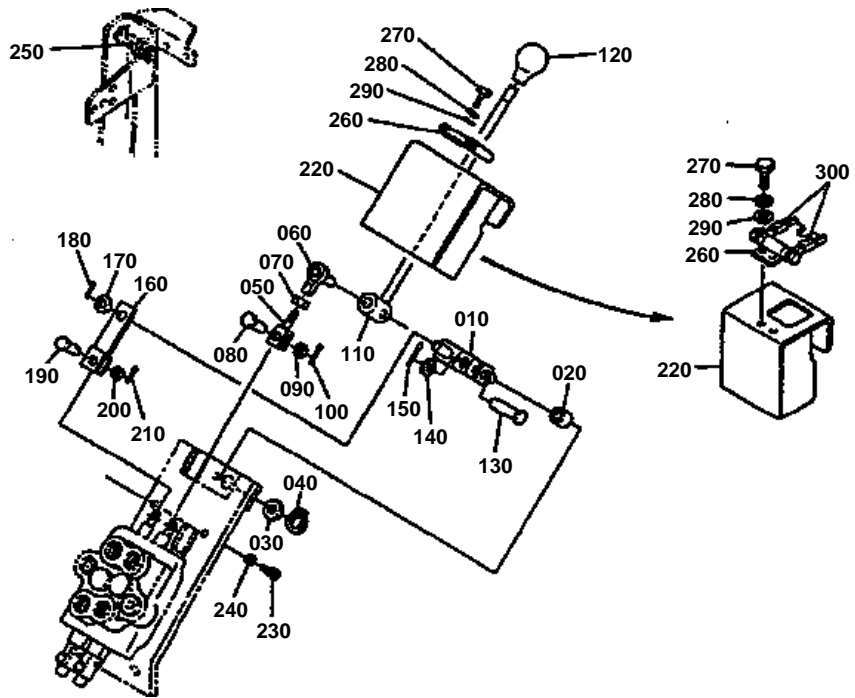


CONTROL VALVE [COMPONENT PARTS]
S.No.LA301:>=14168 LA351:>=13338

↔ Interchangeable; ≠ not interchangeable; ← new for old; → old for new

REF.No	Part No.	Description	Q'ty	S.No.	I/C	REMARKS	Weight (kgf)	Weight (lb)
010	75536-62010	VALVE CONTROL	1				0.008	0.0176
020	75536-65400	KIT DETENT FLOAT(592	1				0.21	0.462
030	75536-65100	KIT DETENT REGEN.(59	1				0.23	0.506
040	75536-65200	KIT LOAD CHECK(59238	2				0.03	0.066
050	75536-65300	KIT SEAL(59239)	1				0.006	0.0132
060	75536-65500	KIT UPPER BOOM SPOOL	1				0.102	0.2244
070	75536-65600	KIT UPPER BUCKET SPO	1				0.025	0.055
080	75540-61450	CAP-SPOOL	2				0.032	0.0704
090	75536-61510	ASSY RELIEF VALVE	1				0.23	0.506
100	75536-65700	CAP SCREW-SOC HD(338	2				0.002	0.0044
110	75540-61410	CAP SCREW-SOC HD(342	2				0.01	0.022
120	75536-65900	CAP SCREW-SOC HD(521	4				0.02	0.044
130	75540-61330	PLATE-SEAL(5012)	7				0.012	0.0264

CONTROL LEVER

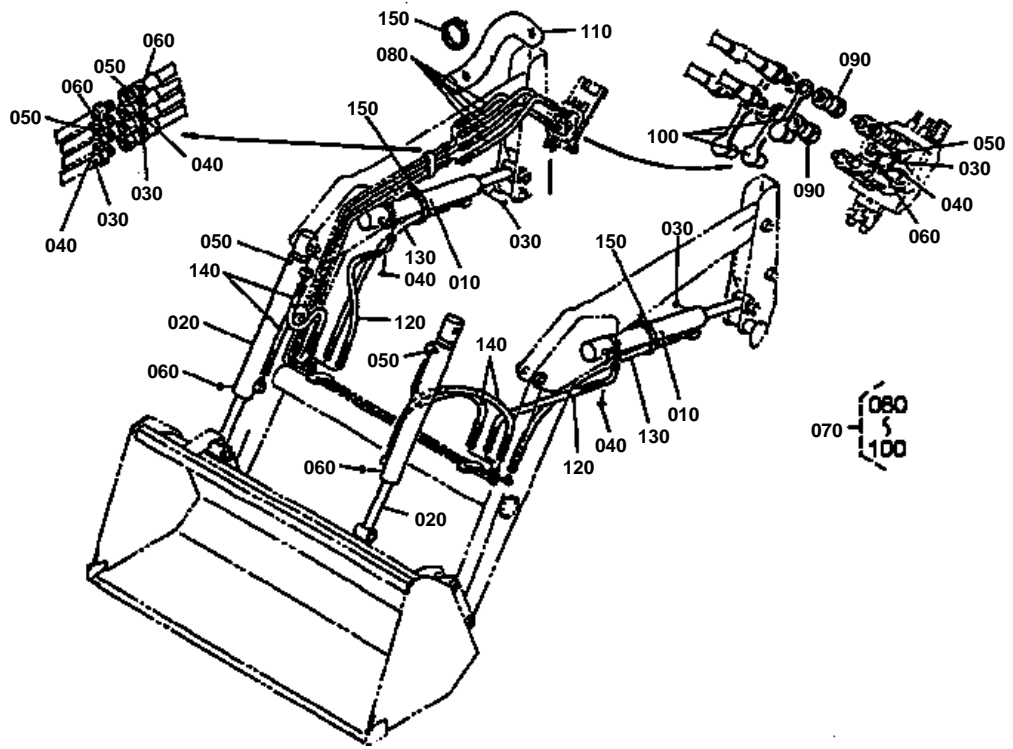




↔ Interchangeable; ≠ not interchangeable; ← new for old; → old for new

REF.No	Part No.	Description	Q'ty	S.No.	I/C	REMARKS	Weight (kgf)	Weight (lb)
010	75532-62110	LEVER	1				0.13	0.286
020	75540-62140	BUSHING	1				0.01	0.022
030	75545-62150	COLLAR 5/8	1				0.014	0.0308
040	75599-41522	CIR-CLIP EXTERNAL(5/	1				0.001	0.0022
050	75532-62160	ROD 1	1				0.03	0.066
060	75532-62260	JOINT ROD END	1				0.05	0.11
070	75599-31022	HEX.NUT(5/16-24UNF)	1				0.015	0.033
080	75599-51115	PIN CLEVIS(1/4*3/4)	1				0.005	0.011
090	75599-32011	WASHER PLAIN(1/4)	1				0.001	0.0022
100	75599-53131	PIN COTTER(1/16*1/2)	1				0.003	0.0066
110	75532-62210	LEVER CONTROL	1				0.5	1.1
120	31355-82520	GRIP LEVER	1				0.05	0.11
130	75599-51540	PIN CLEVIS(1/2*2)	1				0.054	0.1188
140	75599-32015	WASHER PLAIN(1/2)	1				0.01	0.022
150	75599-53173	PIN COTTER(1/8*1)	1				0.002	0.0044
160	75532-62280	ROD 2	1				0.06	0.132
170	75599-32012	WASHER PLAIN(5/16)	1				0.002	0.0044
180	75599-53152	PIN COTTER(3/32*3/4)	1				0.001	0.0022
190	75599-51115	PIN CLEVIS(1/4*3/4)	1				0.005	0.011
200	75599-32011	WASHER PLAIN(1/4)	1				0.001	0.0022
210	75599-53131	PIN COTTER(1/16*1/2)	1				0.003	0.0066
210	75599-53111	PIN COTTER(1/16*1/2)	1	≧=14168			0.001	0.0022
220	75532-62310	COVER	1				0.9	1.98
230	75599-01215	HEX.BOLT(5/16-18UNC*	3				0.011	0.0242
240	75599-33012	WASHER SPRING LOCK(5	3				0.002	0.0044
250	75540-62360	LABEL CONTROL	1				0.001	0.0022
260	75548-62400	ASSY LIMITER	1				0.12	0.264
270	75599-01212	HEX.BOLT(5/16-18UNC*	2				0.012	0.0264
280	75599-33012	WASHER SPRING LOCK(5	2				0.002	0.0044
290	75599-32012	WASHER PLAIN(5/16)	2				0.002	0.0044
300	75540-62450	CUSHION 1 RUBBER	2				0.001	0.0022

CYLINDER-HYDRAULIC HOSE



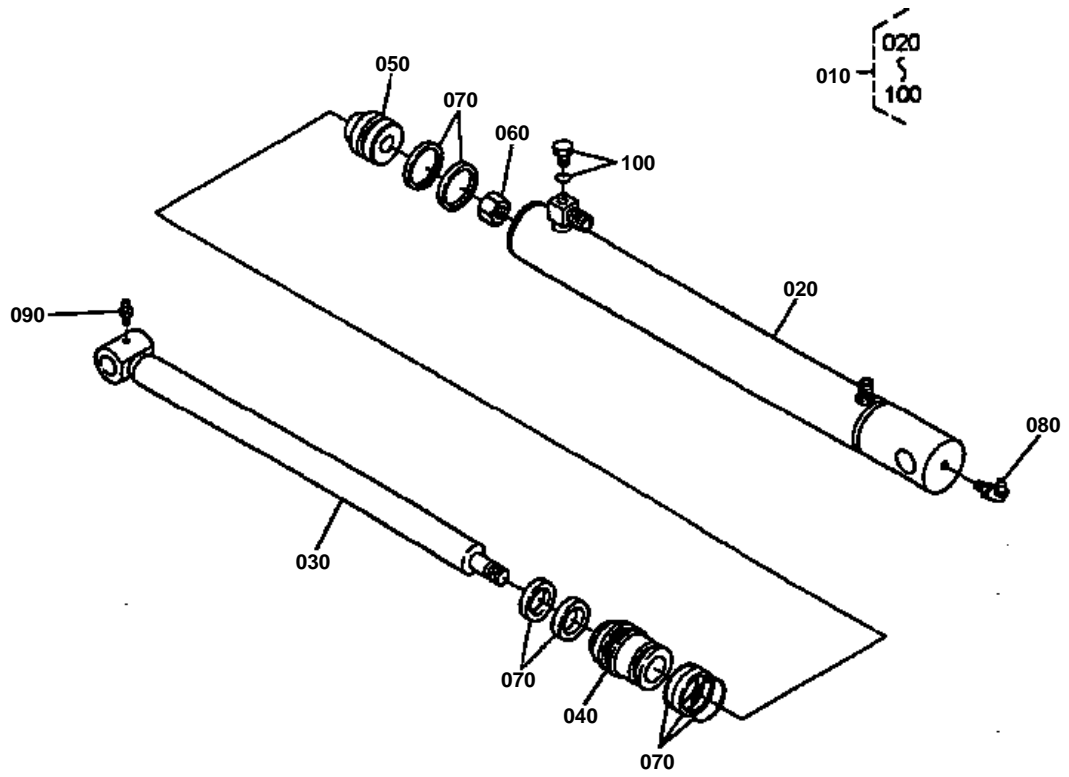


CYLINDER-HYDRAULIC HOSE

↔ Interchangeable; ≠ not interchangeable; ← new for old; → old for new

REF.No	Part No.	Description	Q'ty	S.No.	I/C	REMARKS	Weight (kgf)	Weight (lb)
010	75536-63010	CYLINDER 1	2				6.3	13.86
020	75536-64010	CYLINDER 2	2				6.2	13.64
030	75540-64950	MARK WHITE	5				0.001	0.0022
040	75540-64960	MARK YELLOW	5				0.002	0.0044
050	75540-64970	MARK BLUE	5				0.001	0.0022
060	75540-64980	MARK RED	5				0.002	0.0044
070	75532-66100	ASSY HOSE 1 HYDRAULI	4	<=14167			0.385	0.847
070	75532-66102	ASSY HOSE 1 HYDRAULI	4	>=14168	≠		0	0
080	75532-66110	HOSE 1 HYDRAULIC	4				0.25	0.55
090	75532-66323	COUPLER	4	<=14167			0	0
090	75536-66320	COUPLER	4	>=14168	≠		0.13	0.286
100	75532-66330	PLUG DUST	4	<=14167			0.001	0.0022
100	75536-66330	PLUG DUST	4	>=14168	≠		0.011	0.0242
110	75536-66140	SLEEVE	1				0.112	0.2464
120	75532-66610	HOSE 8 HYDRAULIC	2				0.25	0.55
130	75536-66620	HOSE 9 HYDRAULIC	2				0.26	0.572
140	75532-66630	HOSE 10 HYDRAULIC	4				0.18	0.396
150	75590-64650	BAND CODE	3				0.01	0.022

CYLINDER (BOOM) [COMPONENT PARTS]



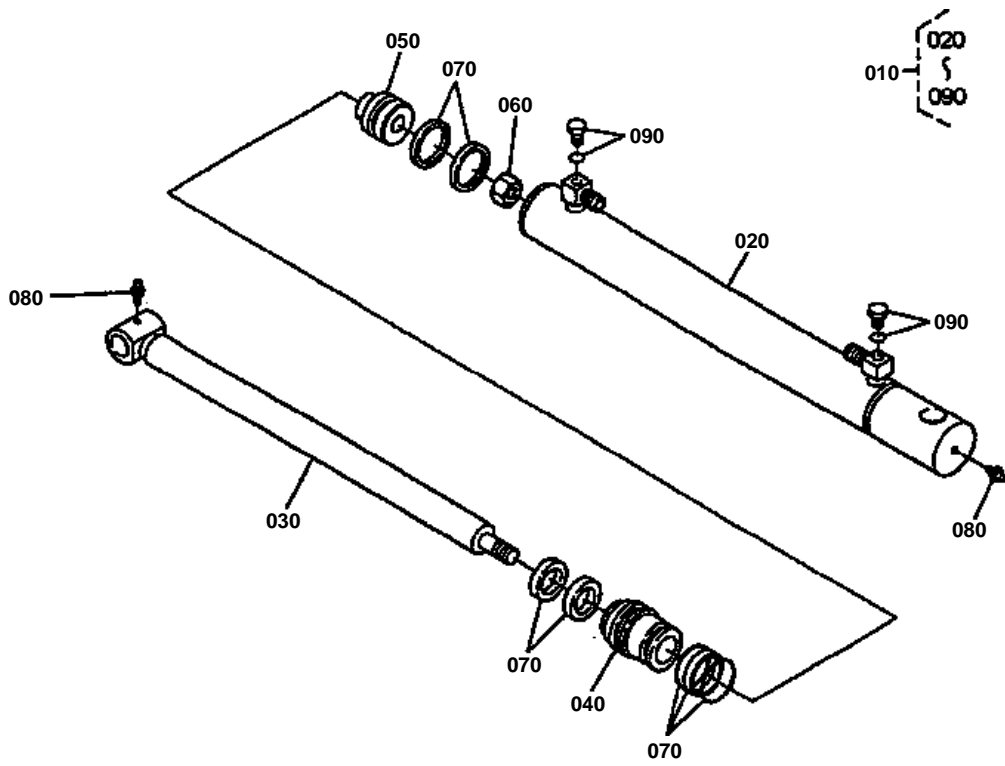


CYLINDER (BOOM) [COMPONENT PARTS]

↔ Interchangeable; ≠ not interchangeable; ← new for old; → old for new

REF.No	Part No.	Description	Q'ty	S.No.	I/C	REMARKS	Weight (kgf)	Weight (lb)
010	75536-63010	CYLINDER 1	2				6.3	13.86
020	75536-63100	TUBE 1 COMP	2				3	6.6
030	75536-63200	ROD 1 COMP	2				3.5	7.7
040	75536-63310	HEAD	2				0.28	0.616
050	75536-63350	PISTON	2				0.17	0.374
060	75536-63360	NUT	2				0.045	0.099
070	75536-63400	KIT SEAL	2				0.002	0.0044
080	75532-63470	FITTING GREASE(90DEG	2				0.01	0.022
090	75599-81531	FITTING GREASE(1/8-2	2				0.007	0.0154
100	75590-13270	PLUG	2				0.01	0.022

CYLINDER (BUCKET) [COMPONENT PARTS]

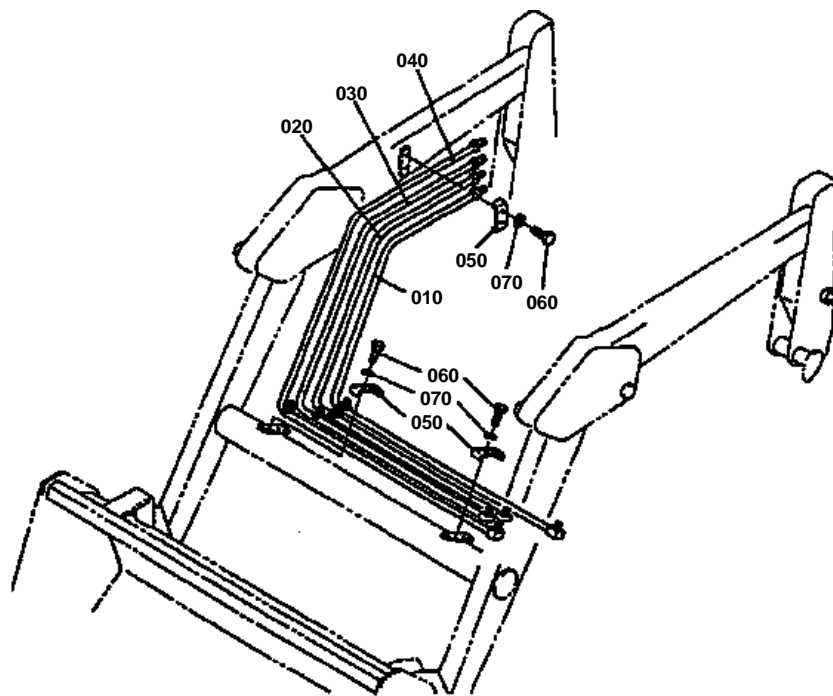




CYLINDER (BUCKET) [COMPONENT PARTS]

↔ Interchangeable; ≠ not interchangeable; ← new for old; → old for new

REF.No	Part No.	Description	Q'ty	S.No.	I/C	REMARKS	Weight (kgf)	Weight (lb)
010	75536-64010	CYLINDER 2	2				6.2	13.64
020	75536-64100	TUBE 2 COMP	2				3.49	7.678
030	75536-64200	ROD 2 COMP	2				1.5	3.3
040	75536-63310	HEAD	2				0.28	0.616
050	75536-63350	PISTON	2				0.17	0.374
060	75536-63360	NUT	2				0.045	0.099
070	75536-63400	KIT SEAL	2				0.002	0.0044
080	75599-81531	FITTING GREASE(1/8-2	4				0.007	0.0154
090	75590-13270	PLUG	4				0.01	0.022



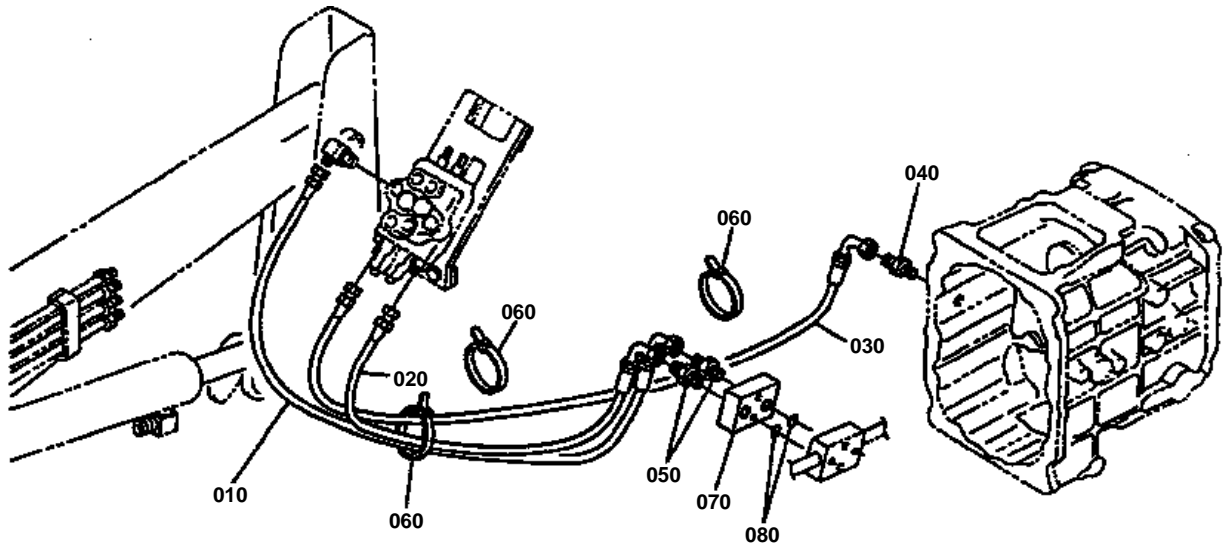


HYDRAULIC TUBE

↔ Interchangeable; ≠ not interchangeable; ← new for old; → old for new

REF.No	Part No.	Description	Q'ty	S.No.	I/C	REMARKS	Weight (kgf)	Weight (lb)
010	75532-65110	TUBE 1 HYDRAULIC	1				0.42	0.924
020	75532-65210	TUBE 2 HYDRAULIC	1				0.41	0.902
030	75532-65310	TUBE 3 HYDRAULIC	1				0.4	0.88
040	75532-65410	TUBE 4 HYDRAULIC	1				0.5	1.1
050	75532-65510	CLAMP	3				0.09	0.198
060	75599-01220	HEX.BOLT(5/16-18UNC*	6				0.012	0.0264
070	75599-33012	WASHER SPRING LOCK(5	6				0.002	0.0044

HYDRAULIC HOSE





HYDRAULIC HOSE

↔ Interchangeable; ≠ not interchangeable; ← new for old; → old for new

REF.No	Part No.	Description	Q'ty	S.No.	I/C	REMARKS	Weight (kgf)	Weight (lb)
010	75536-66310	HOSE 5 HYDRAULIC	1				0.4	0.88
020	75536-66410	HOSE 6 HYDRAULIC	1				0.37	0.814
030	75536-66510	HOSE 7 HYDRAULIC	1				0.6	1.32
040	75582-66810	ADAPTER 1	1				0.05	0.11
050	75536-66810	ADAPTER 1	2				0.04	0.088
060	75590-64650	BAND CODE	3				0.01	0.022
070	75536-68110	BLOCK HYDRAULIC	1				0.3	0.66
080	75536-68130	O-RING	2				0.001	0.0022



FRONT GUARD

↔ Interchangeable; ≠ not interchangeable; ← new for old; → old for new

REF.No	Part No.	Description	Q'ty	S.No.	I/C	REMARKS	Weight (kgf)	Weight (lb)
010	75536-99500	KIT GUARD FRONT	1				0	0
020	75536-57810	GUARD FRONT	1				0	0
030	75599-04530	HEX.BOLT(1/2-20UNF*1	4				0.05	0.11
040	75599-31025	HEX.NUT(1/2-20UNF)	4				0.015	0.033
050	75599-33015	WASHER SPRING LOCK(1	4				0.006	0.0132
060	75536-57890	CUSHION	1				0.05	0.11
070	75536-99520	MANUAL ASSEMBLY	1			FOR OPTION ONLY	0.001	0.0022

IMAGE NOT AVAILABLE