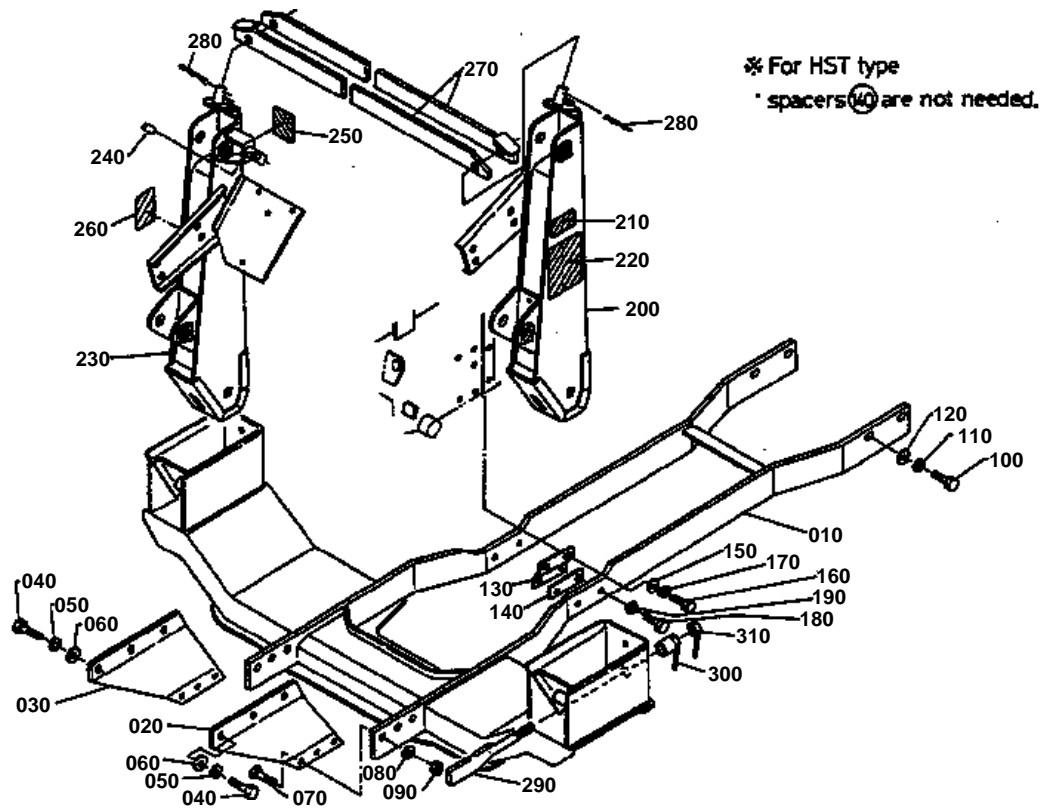


ACCESSORIES

Item	Part No.	Description	Book
FRAME	01I01	MAIN FRAME	100K0454
BOOM	01I02	BOOM	100K0454
HYDRAULIC SYSTEM	01I03	OIL PRESSURE (1)	100K0454
	01I04	CONTROL VALVE [COMPONENT PARTS]	100K0454
	01I05	CYLINDER 1 (BOOM) [COMPONENT PARTS]	100K0454
	01I06	CYLINDER 2 (BUCKET) LH [COMPONENT PARTS]	100K0454
	01I07	CYLINDER 2 (BUCKET) RH [COMPONENT PARTS]	100K0454
	01I08	OIL PRESSURE (2)	100K0454
FRAME	01I09	FRONT GUARD [OPTION]	100K0454
ACCESSORIES	01I10	ACCESSORIES AND SERVICE PARTS	100K0454

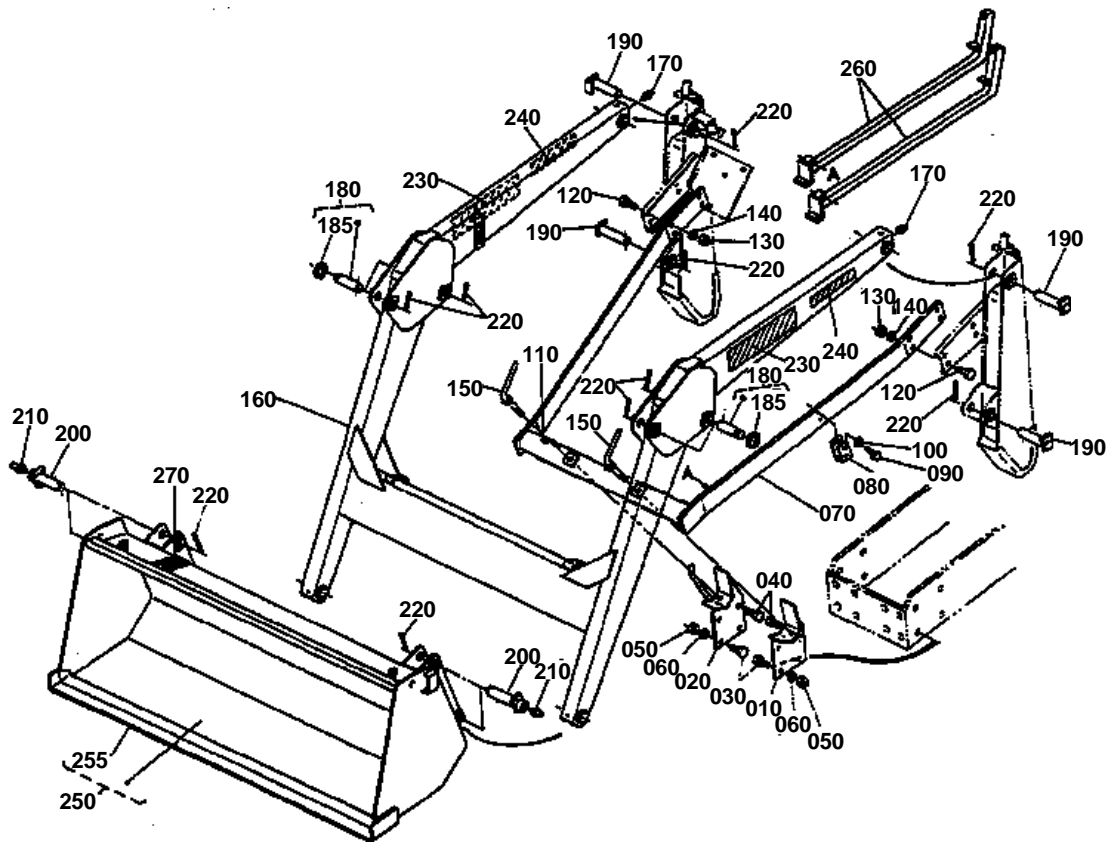
# MAIN FRAME



**MAIN FRAME**

↔ Interchangeable; ≠ not interchangeable; ← new for old; → old for new

REF.No	Part No.	Description	Q'ty	S.No.	I/C	REMARKS	Weight (kgf)	Weight (lb)
010	75530-55010	SUB FRAME	1				0	0
020	75530-55630	BRACKET LH	1				0	0
030	75530-55640	BRACKET RH	1				0	0
040	01073-51230	HEX.BOLT(M12*1.25*30	6				0.041	0.0902
050	04512-50120	WASHER,SPRING LOCK(M	6				0.003	0.0066
060	75599-32015	WASHER,PLAIN(1/2)	6				0	0
070	75599-04630	HEX.BOLT(9/16-18UNF*	6				0	0
080	75599-33016	WASHER,SPRING LOCK(9	6				0.08	0.176
090	75599-31066	HEX.NUT(9/16-18UNF)	6				0	0
100	01073-51245	HEX.BOLT(M12*1.25*45	4				0.05	0.11
110	04512-50120	WASHER,SPRING LOCK(M	4				0.003	0.0066
120	75599-32015	WASHER,PLAIN(1/2)	4				0	0
130	75530-55910	CONNECTOR,HOUSING	2				0	0
140	75530-55920	SPACER	2				0	0
150	75599-32013	WASHER,PLAIN(3/8)	4				0.03	0.066
160	01073-51035	HEX.BOLT(M10*1.25*35	4				0.031	0.0682
170	04512-50100	WASHER,SPRING LOCK(M	4				0.003	0.0066
180	75599-03330	HEX.BOLT(3/8-16UNC*1	4				0	0
190	75599-33013	WASHER,SPRING LOCK(3/	4				0	0
200	75530-56010	FRAME,SIDE LH	1				0	0
210	75530-56350	LABEL,MODEL	1				0	0
220	75540-56360	LABEL,CAUTION	1				0	0
230	75530-56030	FRAME,SIDE RH	1				0	0
240	75530-56640	BUSHING	1				0	0
250	75540-62360	LABEL,CONTROL	1				0	0
260	75540-56650	LABEL,WARNING	1				0	0
270	75530-56710	CONNECTOR,SIDE FRAME	2				0	0
280	75540-56720	PIN,SPRING	2				0	0
290	75540-56810	BOLT,WEDGE	2				0	0
300	75540-56820	NUT 1,LOCK	2				0	0
310	75540-56830	NUT 2,LOCK	2				0	0

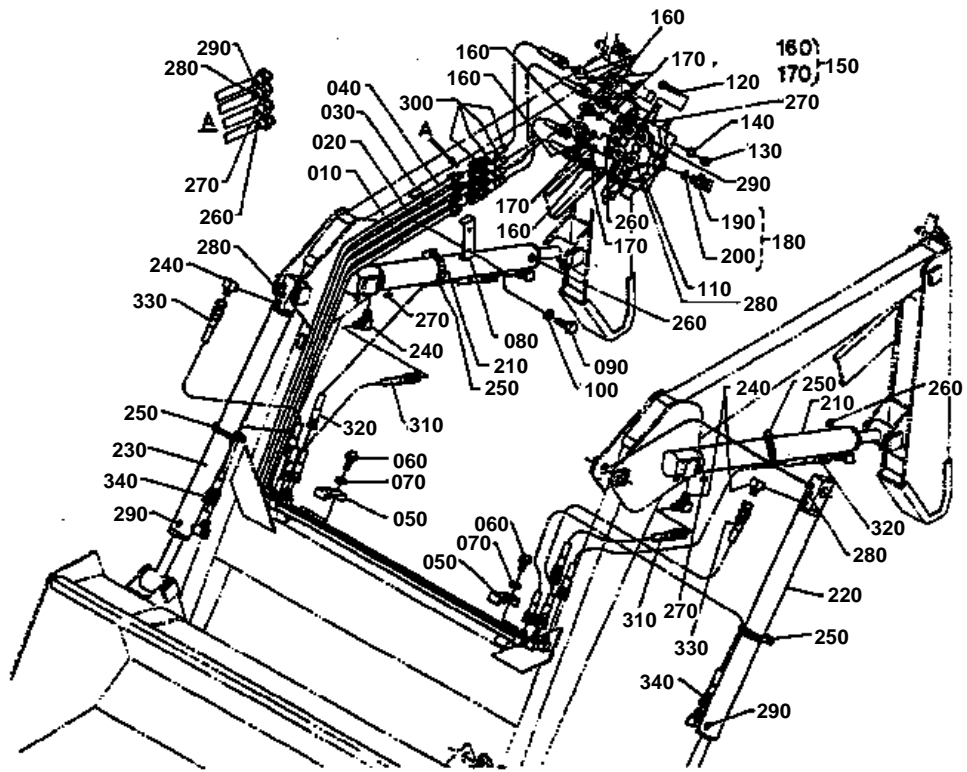


**BOOM**

↔ Interchangeable; ≠ not interchangeable; ← new for old; → old for new

REF.No	Part No.	Description	Q'ty	S.No.	I/C	REMARKS	Weight (kgf)	Weight (lb)
010	75530-57100	SUPPORT,BRACE LH	1				0	0
020	75530-57200	SUPPORT,BRACE RH	1				0	0
030	75599-04530	HEX.BOLT(1/2-20UNF*1	6				0	0
040	75599-04535	HEX.BOLT(1/2-20UNF*1	2				0	0
050	75599-31025	HEX.NUT(1/2-20UNF)	8				0	0
060	75599-33015	WASHER,SPRING LOCK(1	8				0	0
070	75530-57400	BRACE	1				0	0
080	75530-57630	PLATE,SPRING	1				0	0
090	75599-01210	HEX.BOLT(5/16-18UNC*	2				0	0
100	75599-33012	WASHER,SPRING LOCK(5	2				0	0
110	75530-57710	MARK,EYE	1				0	0
120	75599-04630	HEX.BOLT(9/16-18UNF*	8				0	0
130	75599-31066	HEX.NUT(9/16-18UNF)	8				0	0
140	75599-33016	WASHER,SPRING LOCK(9	8				0.08	0.176
150	75540-57610	BOLT,MOUNTING	2				0	0
160	75530-58010	BOOM	1				0	0
170	75599-81521	FITTING,GREASE(1/4-2	2				0	0
180	75540-58500	ASSY PIN 1	4				0	0
185	75599-41531	CIR-CLIP,EXTERNAL(1)	4				0	0
190	75540-58740	PIN 4	4				0	0
200	75540-58710	PIN 3	4				0	0
210	75599-81521	FITTING,GREASE(1/4-2	4				0	0
220	75599-53216	PIN,COTTER(3/16*1 3/	12				0	0
230	75540-58450	LABEL,KUBOTA	2				0	0
240	75530-58460	LABEL,LA350	2				0	0
250	75530-59010	BUCKET 50	1				0	0
255	75530-59320	EDGE,CUTTING	1				0	0
260	75530-57550	STAND	2				0	0
270	75540-59450	LABEL,LEVELER	1				0	0

OIL PRESSURE (1)



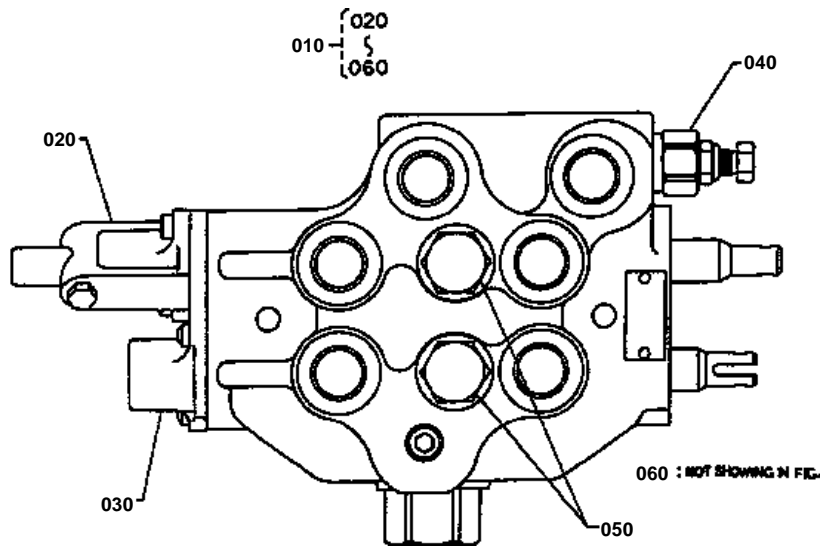


# OIL PRESSURE (1)

↔ Interchangeable; ≠ not interchangeable; ← new for old; → old for new

REF.No	Part No.	Description	Q'ty	S.No.	I/C	REMARKS	Weight (kgf)	Weight (lb)
010	75530-65110	TUBE 1,HYDRAULIC	1				0	0
020	75530-65210	TUBE 2,HYDRAULIC	1				0	0
030	75530-65310	TUBE 3,HYDRAULIC	1				0	0
040	75530-65410	TUBE 4,HYDRAULIC	1				0	0
050	75540-65510	CLAMP 1	2				0	0
060	75599-01225	HEX.BOLT(5/16-18UNC*	4				0	0
070	75599-33012	WASHER,SPRINK LOCK(5	4				0	0
080	75540-65530	CLAMP 2	1				0	0
090	75599-01215	HEX.BOLT(5/16-18UNC*	2				0	0
100	75599-33012	WASHER,SPRING LOCK(5	2				0	0
110	75530-61010	VALVE,CONTROL	1				0	0
120	75599-02245	HEX.BOLT(5/16-24UNF*	2				0	0
130	75599-31022	HEX.NUT(5/16-24UNF)	2				0	0
140	75599-33012	WASHER,SPRING LOCK(5	2				0	0
150	75540-61800	ASSY ADAPTER 1	6				0	0
160	75540-61810	ADAPTER 1	6				0	0
170	75540-61820	O-RING	6				0	0
180	75540-61900	ASSY ELBOW,ADJUSTABL	1				0	0
190	75540-61910	ELBOW,ADJUSTABLE	1				0	0
200	75540-61820	O-RING	1				0	0
210	75530-63010	CYLINDER 1	2				0	0
220	75530-64010	CYLINDER 2 LH	1				0	0
230	75530-64030	CYLINDER 2 RH	1				0	0
240	75540-64910	ELBOW 1	4				0	0
250	75540-64940	CLAMP,HOSE	4				0	0
260	75540-64950	MARK,WHITE	4				0	0
270	75540-64960	MARK,YELLOW	4				0	0
280	75540-64970	MARK,BLUE	4				0	0
290	75540-64980	MARK,RED	4				0	0
300	75530-66110	HOSE 1,HYDRAULIC	4				0	0
310	75580-66640	HOSE 11,HYDRAULIC	2				0	0
320	75530-66620	HOSE 9,HYDRAULIC	2				0	0
330	75530-66630	HOSE 10,HYDRAULIC	2				0	0
340	75530-66640	HOSE 11,HYDRAULIC	2				0	0





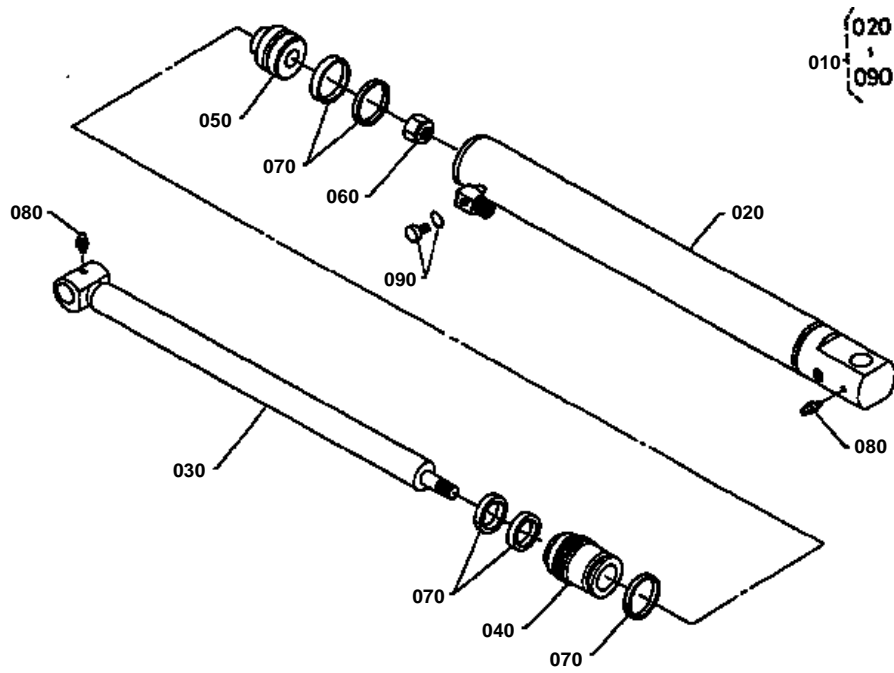


# CONTROL VALVE [COMPONENT PARTS]

↔ Interchangeable; ≠ not interchangeable; ← new for old; → old for new

REF.No	Part No.	Description	Q'ty	S.No.	I/C	REMARKS	Weight (kgf)	Weight (lb)
010	75530-61010	VALVE,CONTROL	1				0	0
020	75530-61300	KIT DETENT FLOAT	1				0	0
030	75530-61400	KIT REGENERATIVE	1				0	0
040	75530-61600	ASSY RELIEF	1				0	0
050	75530-61800	KIT LOAD CHECK	2				0	0
060	75530-61900	KIT SEAL	1				0	0

CYLINDER 1 (BOOM) [COMPONENT PARTS]



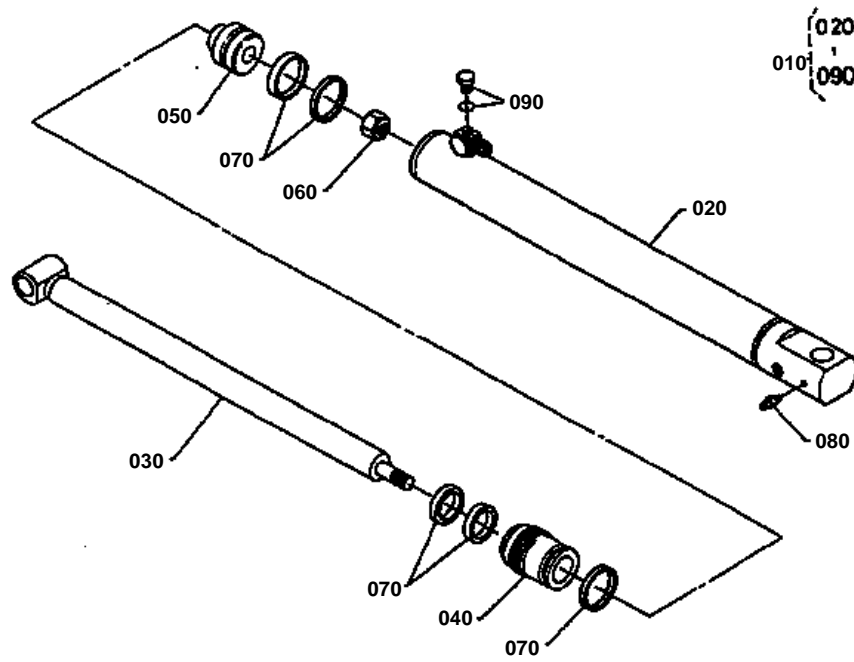


# CYLINDER 1 (BOOM) [COMPONENT PARTS]

↔ Interchangeable; ≠ not interchangeable; ← new for old; → old for new

REF.No	Part No.	Description	Q'ty	S.No.	I/C	REMARKS	Weight (kgf)	Weight (lb)
010	75530-63010	CYLINDER 1	2				0	0
020	75530-63100	TUBE 1 COMP	2				0	0
030	75540-63200	ROD 1 COMP	2				0	0
040	75540-63310	HEAD 1	2				0	0
050	75540-63350	PISTON	2				0	0
060	75540-63360	NUT	2				0	0
070	75540-63400	KIT 1,SEAL	2				0	0
080	75540-63480	FITTING,GREASE	4				0	0
090	75540-63490	PLUG	2				0	0

CYLINDER 2 (BUCKET) LH [COMPONENT PARTS]



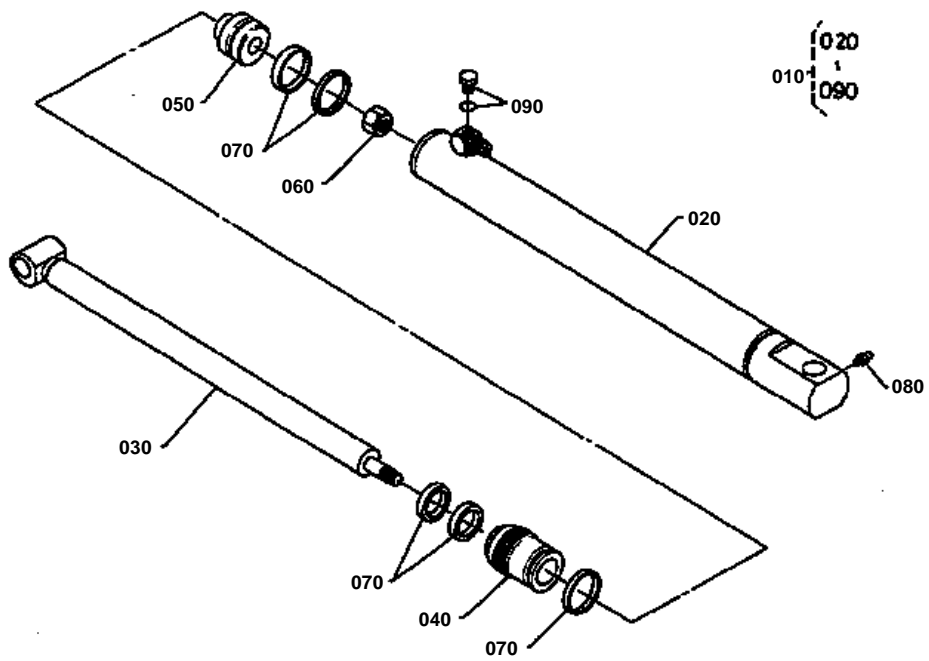


# CYLINDER 2 (BUCKET) LH [COMPONENT PARTS]

↔ Interchangeable; ≠ not interchangeable; ← new for old; → old for new

REF.No	Part No.	Description	Q'ty	S.No.	I/C	REMARKS	Weight (kgf)	Weight (lb)
010	75530-64010	CYLINDER 2 LH	1				0	0
020	75530-64100	TUBE 2 COMP LH	1				0	0
030	75540-64200	ROD 2 COMP	1				0	0
040	75540-64310	HEAD 2	1				0	0
050	75540-63350	PISTON	1				0	0
060	75540-63360	NUT	1				0	0
070	75540-64400	KIT 2,SEAL	1				0	0
080	75540-63480	FITTING,GREASE	1				0	0
090	75540-63490	PLUG	1				0	0

CYLINDER 2 (BUCKET) RH [COMPONENT PARTS]



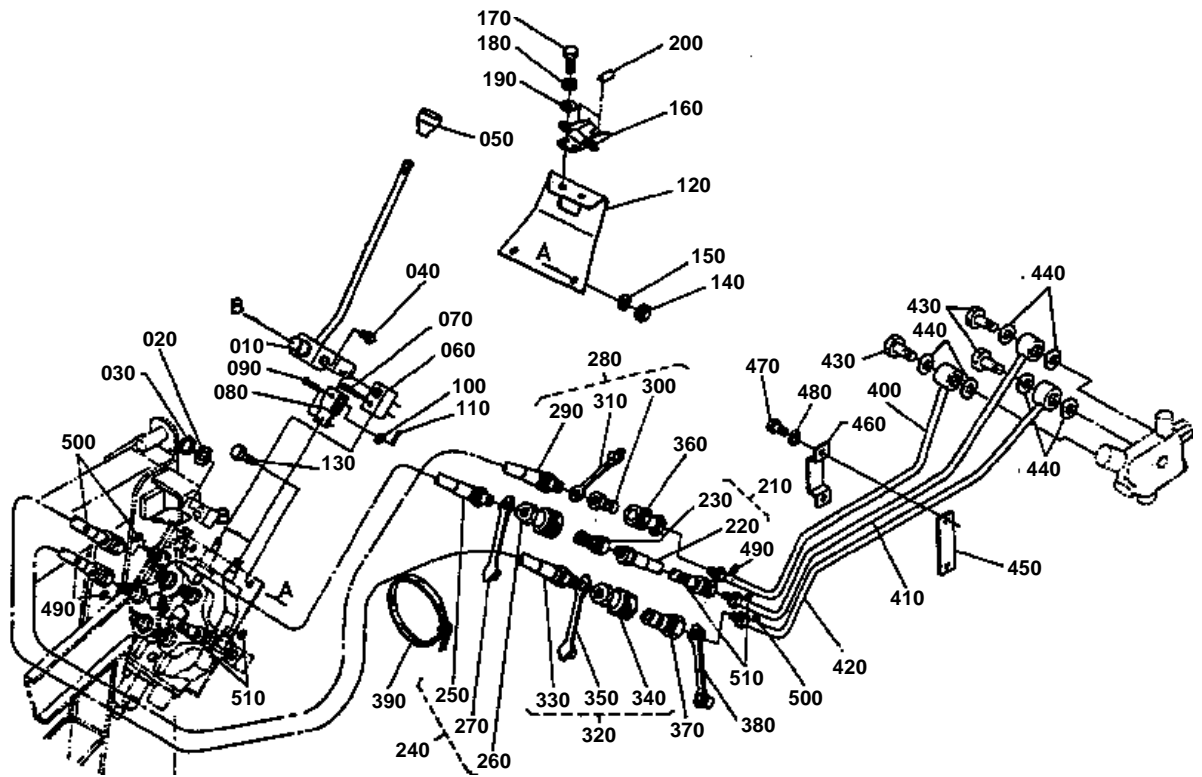


# CYLINDER 2 (BUCKET) RH [COMPONENT PARTS]

↔ Interchangeable; ≠ not interchangeable; ← new for old; → old for new

REF.No	Part No.	Description	Q'ty	S.No.	I/C	REMARKS	Weight (kgf)	Weight (lb)
010	75530-64030	CYLINDER 2 RH	1				0	0
020	75530-64500	TUBE 2 COMP RH	1				0	0
030	75540-64200	ROD 2 COMP	1				0	0
040	75540-64310	HEAD 2	1				0	0
050	75540-63350	PISTON	1				0	0
060	75540-63360	NUT	1				0	0
070	75540-64400	KIT 2,SEAL	1				0	0
080	75540-63480	FITTING,GREASE	1				0	0
090	75540-63490	PLUG	1				0	0





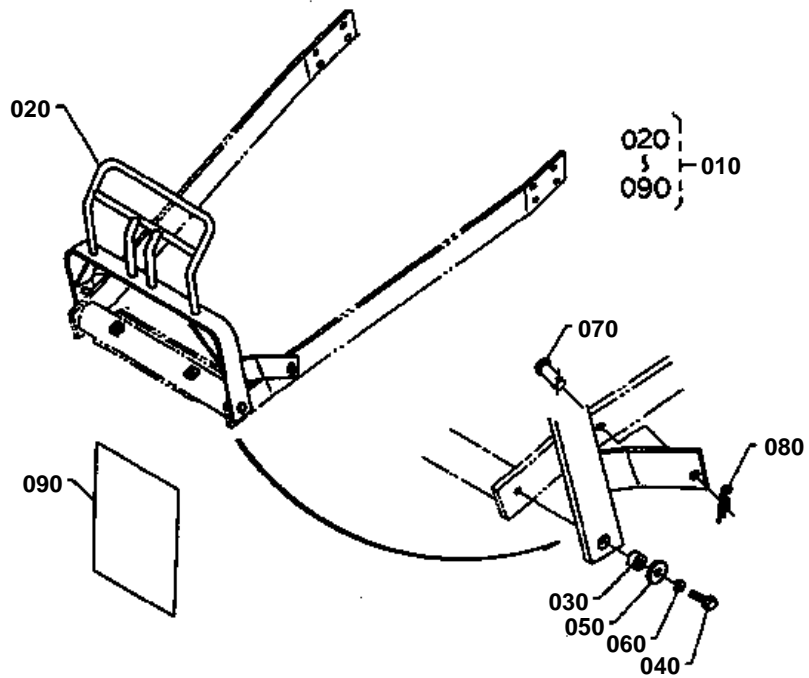


# OIL PRESSURE (2)

↔ Interchangeable; ≠ not interchangeable; ← new for old; → old for new

REF.No	Part No.	Description	Q'ty	S.No.	I/C	REMARKS	Weight (kgf)	Weight (lb)
010	75530-62110	LEVER	1				0	0
020	75599-32017	WASHER,PLAIN(5/8)	1				0	0
030	75599-41522	CIR-CLIP,EXTERNAL(5/	1				0	0
040	75599-81521	FITTING,GREASE(1/4-2	1				0	0
050	75540-62240	GRIP,LEVER	1				0	0
060	75530-62280	SPOOL	1				0	0
070	75599-53215	PIN,COTTER(3/16*1 1/	1				0	0
080	75530-62290	LINK	1				0	0
090	75540-62190	PIN	2				0	0
100	75599-32009	WASHER,PLAIN(13/64)	2				0	0
110	75599-53111	PIN,COTTER(1/32*1/2)	2				0	0
120	75530-62310	PLATE,GUIDE	1				0	0
130	75599-03320	HEX.BOLT(3/8-16UNC*1	2				0	0
140	75599-31013	HEX.NUT(3/8-16UNC)	2				0	0
150	75599-33013	WASHER,SPRING LOCK(3	2				0	0
160	75540-62400	ASSY LIMITER	1				0	0
170	75599-01212	HEX.BOLT(5/16-18UNC*	2				0	0
180	75599-33012	WASHER,SPRING LOCK(5	2				0	0
190	75599-32012	WASHER,PLAIN(5/16)	2				0.002	0.0044
200	75540-62450	CUSHION 1,RUBBER	2				0	0
210	75530-66200	ASSY HOSE 4,HYDRAULI	1				0	0
220	75530-66210	HOSE 4,HYDRAULIC	1				0	0
230	75540-66220	NIPPLE	1				0	0
240	75530-66300	ASSY HOSE 5,HYDRAULI	1				0	0
250	75530-66310	HOSE 5,HYDRAULIC	1				0	0
260	75540-66320	COUPLER	1				0	0
270	75540-66330	PLUG,DUST	1				0	0
280	75530-66400	ASSY HOSE 6,HYDRAULI	1				0	0
290	75530-66410	HOSE 6,HYDRAULIC	1				0	0
300	75540-66220	NIPPLE	1				0	0
310	75540-66430	CAP,DUST	1				0	0
320	75530-66500	ASSY HOSE 7,HYDRAULI	1				0	0
330	75530-66510	HOSE 7,HYDRAULIC	1				0	0
340	75540-66320	COUPLER	1				0	0
350	75540-66330	PLUG,DUST	1				0	0
360	75540-66320	COUPLER	1				0	0
370	75540-66220	NIPPLE	1				0	0
380	75540-66430	CAP,DUST	1				0	0
390	75540-66910	BAND,HOSE	1				0	0
400	75530-68300	TUBE 1,DELIVERY	1				0	0
410	75530-68400	TUBE 2,DELIVERY	1				0	0
420	75530-68500	TUBE,RETURN	1				0	0
430	75580-68330	JOINT	3				0	0
440	75580-68340	GASKET	6				0	0
450	75580-68630	CLAMP 4	1				0	0
460	75580-68650	CLAMP 5	1				0	0
470	75599-01112	HEX.BOLT(1/4-20UNC*5	2				0	0
480	75599-33011	WASHER,SPRING LOCK(1	2				0	0
490	75580-68950	MARK,ORANGE	3				0	0
500	75580-68960	MARK,GRAY	3				0	0
510	75580-68970	MARK,GREEN	4				0	0

FRONT GUARD [OPTION]





# FRONT GUARD [OPTION]

↔ Interchangeable; ≠ not interchangeable; ← new for old; → old for new

REF.No	Part No.	Description	Q'ty	S.No.	I/C	REMARKS	Weight (kgf)	Weight (lb)
010	75530-99500	KIT GUARD,FRONT	1				0	0
020	75530-57810	GUARD,FRONT	1				0	0
030	75530-57830	COLLAR	2				0	0
040	75599-04625	HEX.BOLT(9/16-18UNF*	2				0	0
050	75599-32016	WASHER,PLAIN(9/16)	2				0.009	0.0198
060	75599-33016	WASHER,SPRING LOCK(9	2				0.08	0.176
070	75599-51730	PIN,CLEVIS(5/8*1 1/2	2				0	0
080	75530-57850	PIN,SPRING	2				0	0
090	75530-99520	MANUAL,ASSEMBLY	1				0	0

**IMAGE NOT AVAILABLE**