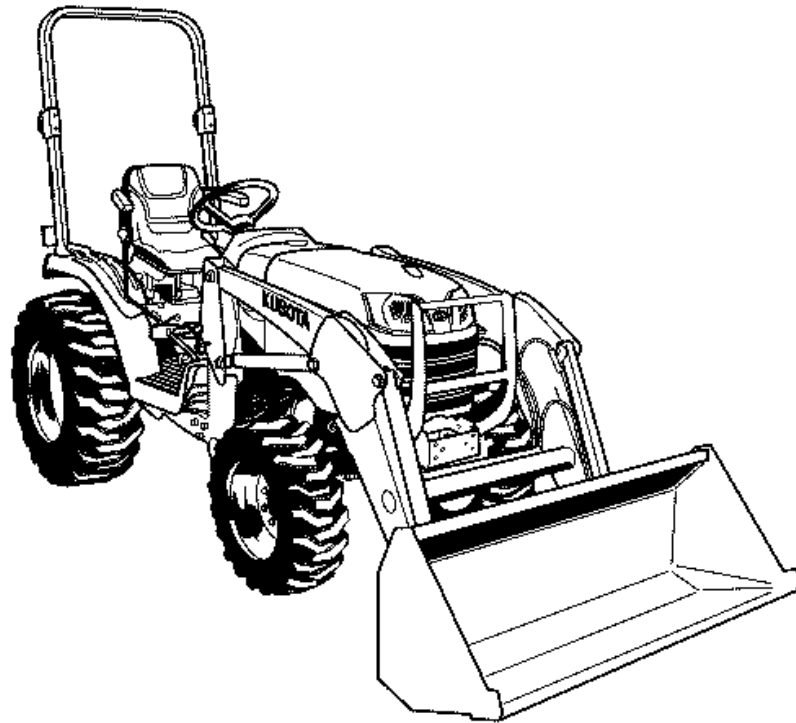


LA364

Figure Num LA364



Instructions for Parts Books

The heading at the top of the page will be the same for the picture of the parts as it is for the page with the part numbers.

Definition of column headings on part number pages:

REF.No → The number referring to the part on the picture page of the parts book.

Part No. → The number assigned to this part at the time of printing the parts book.

Part Name → Description of part.

Q'ty → Quantity of part used on that page.

S.No. → Serial number range of the equipment that this part will fit.

>= Your serial number should be greater than or equal to the number shown.

<= Your serial number should be lesser than or equal to the serial number shown.

I/C → Interchangeability of part shown.

= The part shown will work for the older and later serial number.

NI The part shown is not interchangeable with the other serial number.

Remarks → Notes about this particular part. Sometimes this may say except [FR] or [CA]

Note about Country Codes:

The parts books we use in the United States of America may also contain information about a part that would be

different in another country. It is important that you are aware of the country codes in some instances.

Symbol Country

A United States of America

CA Canada

FR France

GR Greece

PO Portugal

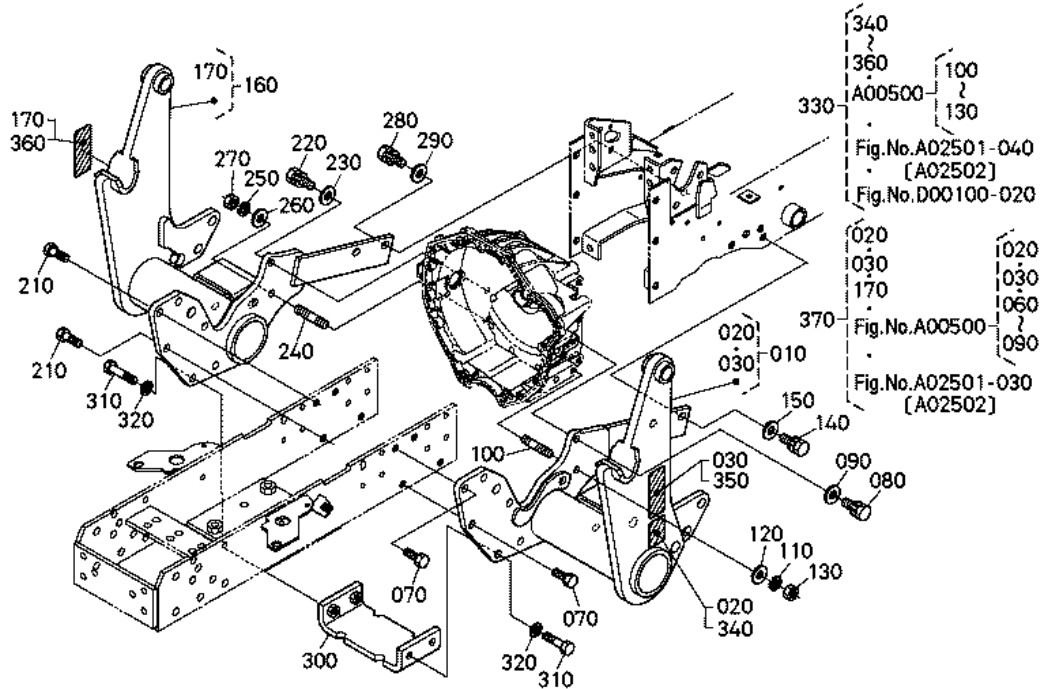
AU Australia

If the remarks column says for example EXCEPT [FR] this part works in all countries except France.

That means it will work here in the USA.

MAIN FRAME

Figure Num 01A00100



7J053-001-13

MAIN FRAME

Ref	Part Number	Part Name	Qty	IC	S/N	Lbs	Remarks
010	7J053-90112	FRAME,MAIN LH LABEL	1			0	
020	7J246-56420	LABEL,DANGER 2	1			0.002	ENGLISH
030	7J246-56430	LABEL,DANGER 3	1			0.004	ENGLISH
070	7J053-55960	BOLT,MEC	2		<=A5732	0	M14*25
070	7J053-55960	BOLT,MEC	4		>=A5733	0	M14*25
080	01123-51240	BOLT	2			0.105	
090	75599-32515	WASHER,PLAIN	2			0.022	1/2HD

MAIN FRAME

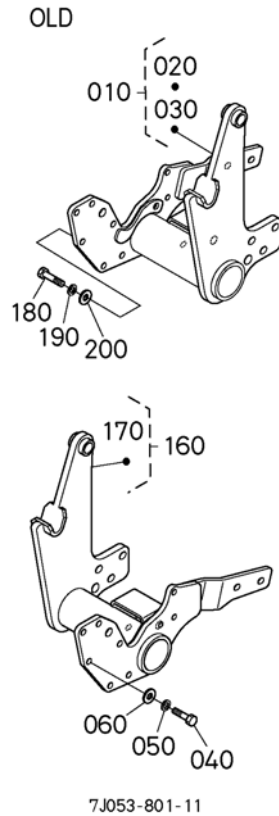
Ref	Part Number	Part Name	Qty	IC	S/N	Lbs	Remarks
100	01555-51230	STUD	1			0.088	
110	04512-60120	WASHER, SPRING	1			0.011	
120	75599-32515	WASHER,PLAIN	1			0.022	1/2HD
130	02176-50120	NUT	1			0.022	
140	01133-51235	BOLT	2			0.094	
150	75599-32515	WASHER,PLAIN	2			0.022	1/2HD
160	7J053-90122	FRAME,MAIN RH LABEL	1			0	
170	7J246-56410	LABEL,DANGER 1	1			0.004	ENGLISH
210	7J053-55960	BOLT,MEC	4		>=A5733	0	M14*25
210	7J053-55960	BOLT,MEC	2		<=A5732	0	M14*25
220	01123-51240	BOLT	2			0.105	
230	75599-32515	WASHER,PLAIN	2			0.022	1/2HD
240	01555-51230	STUD	1			0.088	
250	04512-60120	WASHER, SPRING	1			0.011	
260	75599-32515	WASHER,PLAIN	1			0.022	1/2HD
270	02176-50120	NUT	1			0.022	
280	01133-51235	BOLT	2			0.094	
290	75599-32515	WASHER,PLAIN	2			0.022	1/2HD
300	7J053-55910	CONNECTOR	1		<=A3264	0	
300	7J053-55912	CONNECTOR	1	>>	>=A3265	0	
310	01073-51440	BOLT	4			0.151	
320	04512-60140	WASHER, SPRING	4			0.017	
330	7J053-95500	KIT,FRENCH	1		<=A6412	0	FRENCH
330	7J053-95502	KIT,FRENCH	1	NI	>=A6413	0	FRENCH
340	75567-99622	LABEL,DANGER 2(F)	1			0.006	FRENCH
350	75546-99613	LABEL,DANGER 1(F)	1			0.002	FRENCH

MAIN FRAME

Ref	Part Number	Part Name	Qty	IC	S/N	Lbs	Remarks
360	75546-99632	LABEL,DANGER 3(F)	1			0.022	FRENCH
370	7J053-56900	LABEL,SET LA	1			0	ENGLISH

MAIN FRAME

Figure Num 01A00100



MAIN FRAME

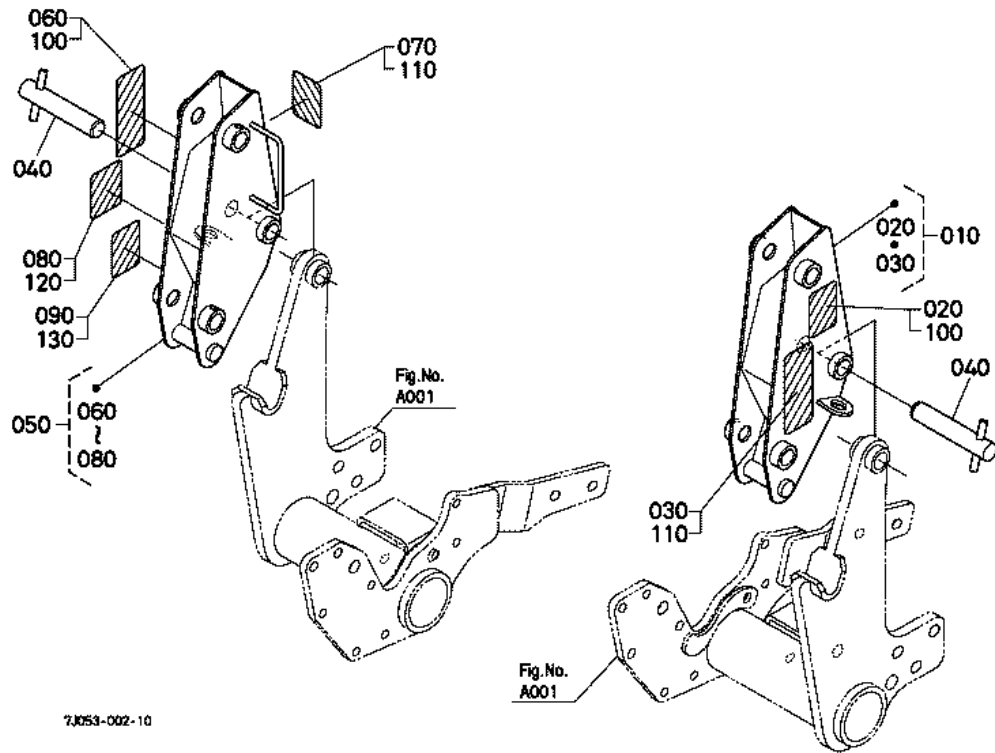
Ref	Part Number	Part Name	Qty	IC	S/N	Lbs	Remarks
010	7J053-90112	FRAME,MAIN LH LABEL	1			0	
040	01073-51440	BOLT	2		<=A5733	0.151	
050	04512-60140	WASHER, SPRING	2		<=A5733	0.017	
060	75599-32516	WASHER,PLAIN	2		<=A5733	0.024	9/16HD
160	7J053-90122	FRAME,MAIN RH LABEL	1			0	
180	01073-51440	BOLT	2		<=A5732	0.151	
190	04512-60140	WASHER, SPRING	2		<=A5732	0.017	

MAIN FRAME

Ref	Part Number	Part Name	Qty	IC	S/N	Lbs	Remarks
200	75599-32516	WASHER,PLAIN	2		<=A5732	0.024	9/16HD

SIDE FRAME

Figure Num 01A005



7J053-002-10

SIDE FRAME

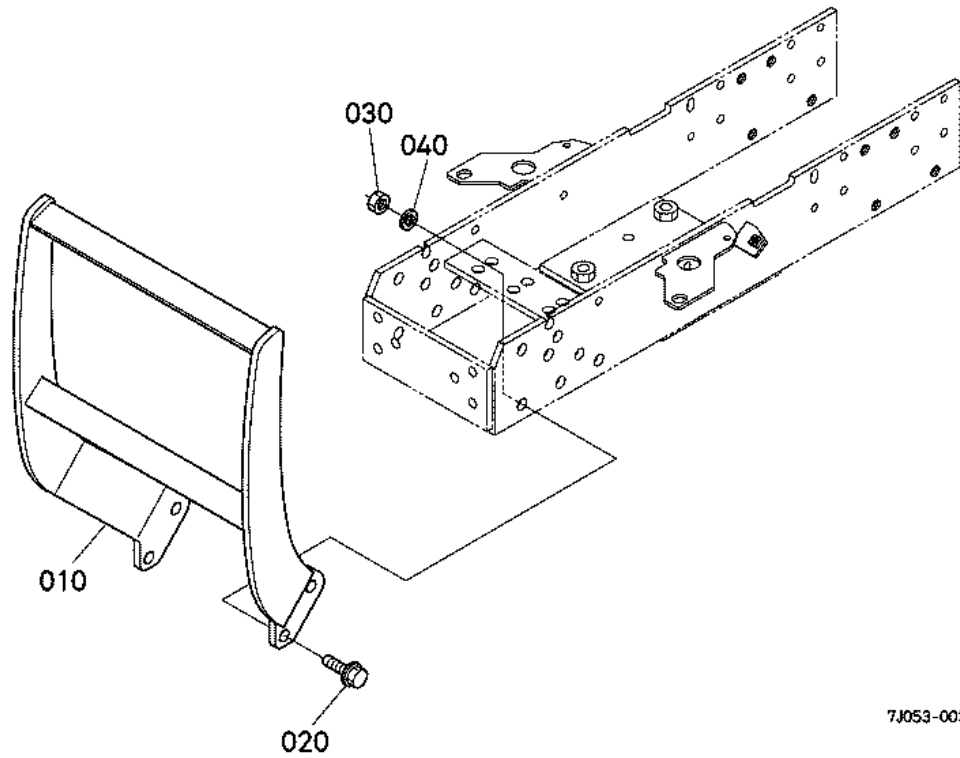
Ref	Part Number	Part Name	Qty	IC	S/N	Lbs	Remarks
010	7J053-90130	FRAME SIDE LH LABEL	1			0	
020	7J246-56442	LABEL WARNING 1	1			0.022	ENGLISH
030	7J246-56450	LABEL CAUTION 1	1			0.004	ENGLISH
040	7J612-56810	PIN MOUNT	2			0	
050	7J053-90140	FRAME SIDE RH LABEL	1			0	
060	7J246-56442	LABEL WARNING 1	1			0.022	ENGLISH
070	7J053-62360	LABEL CONTROL	1			0	

SIDE FRAME

Ref	Part Number	Part Name	Qty	IC	S/N	Lbs	Remarks
080	7J266-56490	LABEL CAUTION 4	1			0.002	ENGLISH
090	75580-56370	LABEL LUBRICATE	1			0.002	ENGLISH
100	75546-99643	LABEL WARNING 1(F)	2			0.002	FRENCH
110	75546-99654	LABEL CAUTION(F)	1			0.006	FRENCH
120	7J266-99682	LABEL CAUTION 4(F)	1			0.002	FRENCH
130	75580-95550	LABEL LUBRICATE (F)	1			0.002	FRENCH

FRONT GUARD

Figure Num 01A007



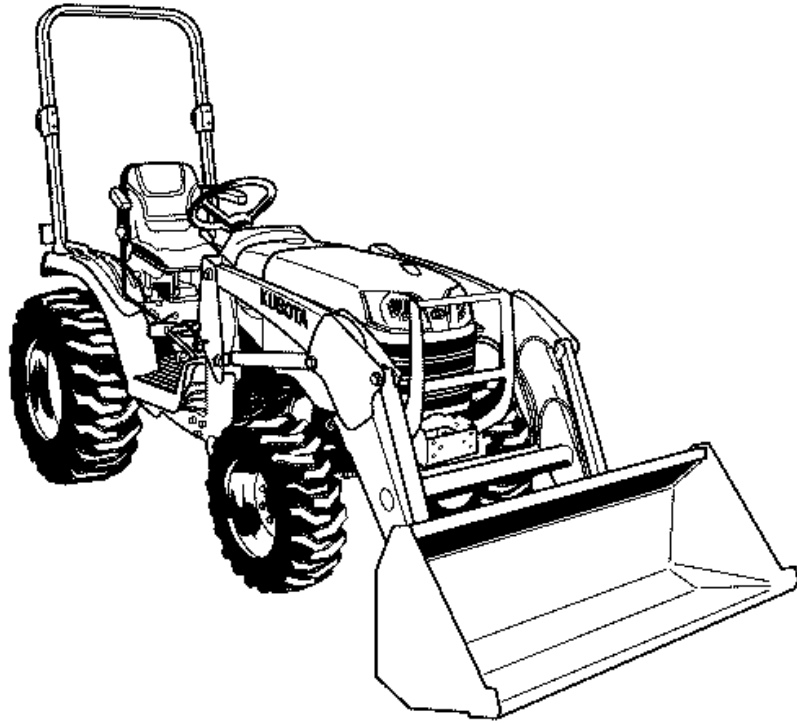
7J053-003-10

FRONT GUARD

Ref	Part Number	Part Name	Qty	IC	S/N	Lbs	Remarks
010	7J053-57812	GUARD FRONT	1			0	
020	01073-51440	BOLT	4			0.151	
030	02076-50140	NUT	4			0.048	
040	04512-60140	WASHER SPRING	4			0.017	

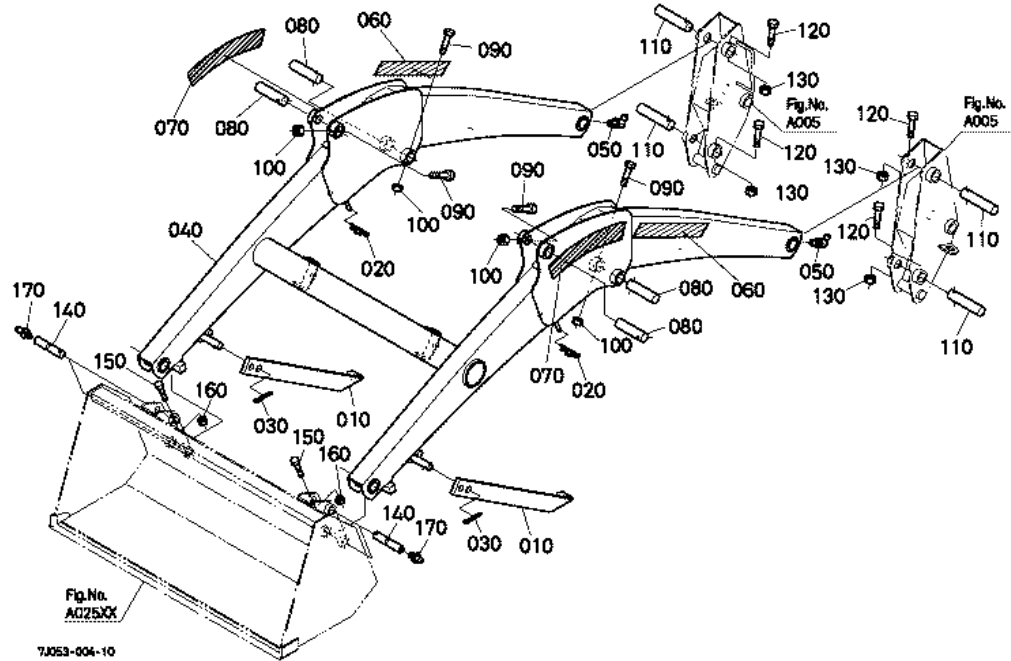
front attachments

Figure Num FRONT ATT



BOOM

Figure Num 01A01000



BOOM

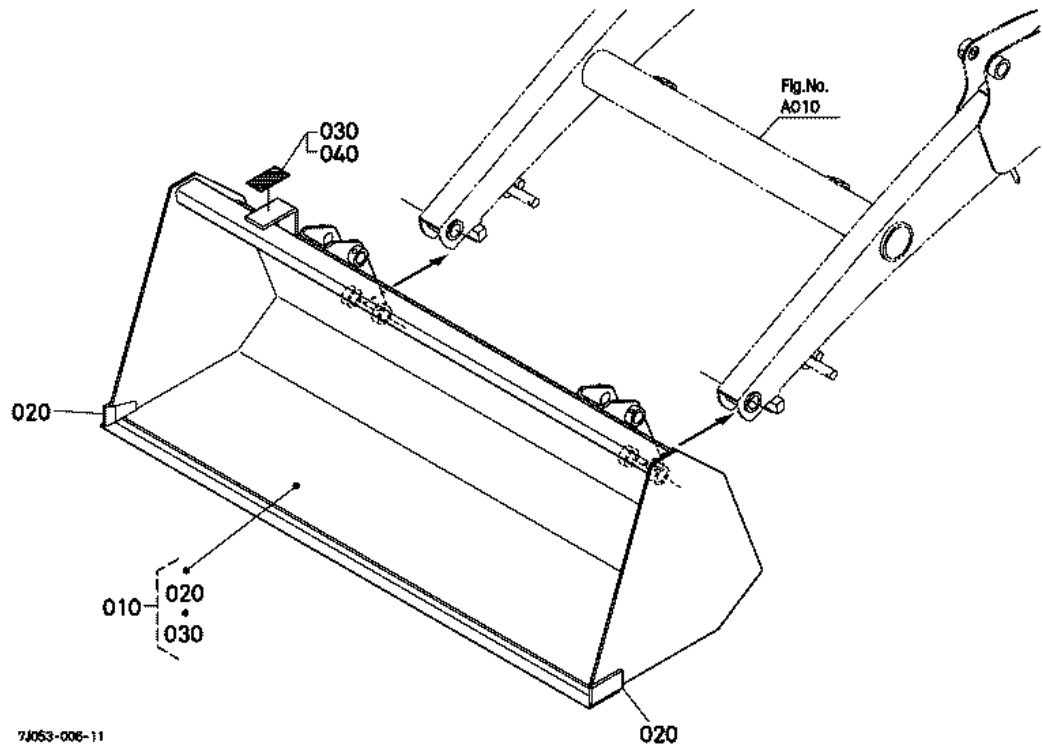
Ref	Part Number	Part Name	Qty	IC	S/N	Lbs	Remarks
010	7J053-57553	STAND	2			0	
020	05515-51600	PIN,SNAP	2			0.015	
030	05511-50325	PIN, SPLIT	2			0.004	
040	7J053-58014	BOOM	1			0	
050	75532-63470	FITTING,GREASE	2			0.022	90DEG.
060	K2571-65120	LABEL,KUBOTA	2			0.011	
070	7J053-58560	LABEL,LA364	2			0	

BOOM

Ref	Part Number	Part Name	Qty	IC	S/N	Lbs	Remarks
080	75545-58510	PIN 1	4			0.803	
090	7J266-58982	HEX.BOLT	4	>>	>=A5028	0	M6*1.00*55
090	7J266-58980	HEX.BOLT	4		<=A5027	0.044	M6*1.00*55
100	02552-50060	NUT,LOCK	4			0.004	
110	75545-58610	PIN 2	4			0.935	
120	7J266-58980	HEX.BOLT	4		<=A5027	0.044	M6*1.00*55
120	7J266-58982	HEX.BOLT	4	>>	>=A5028	0	M6*1.00*55
130	02552-50060	NUT,LOCK	4			0.004	
140	75545-58710	PIN 3	4			0.88	
150	7J266-58980	HEX.BOLT	4		<=A5027	0.044	M6*1.00*55
150	7J266-58982	HEX.BOLT	4	>>	>=A5028	0	M6*1.00*55
160	02552-50060	NUT,LOCK	4			0.004	
170	75599-81521	FITTING,GREASE	4	>>	>=A5960	0.006	1/4-28T.T.*.68
170	75599-81520	FITTING,GREASE	4		<=A5959	0.006	1/4-28T.T.

BUCKET

Figure Num 01A02502

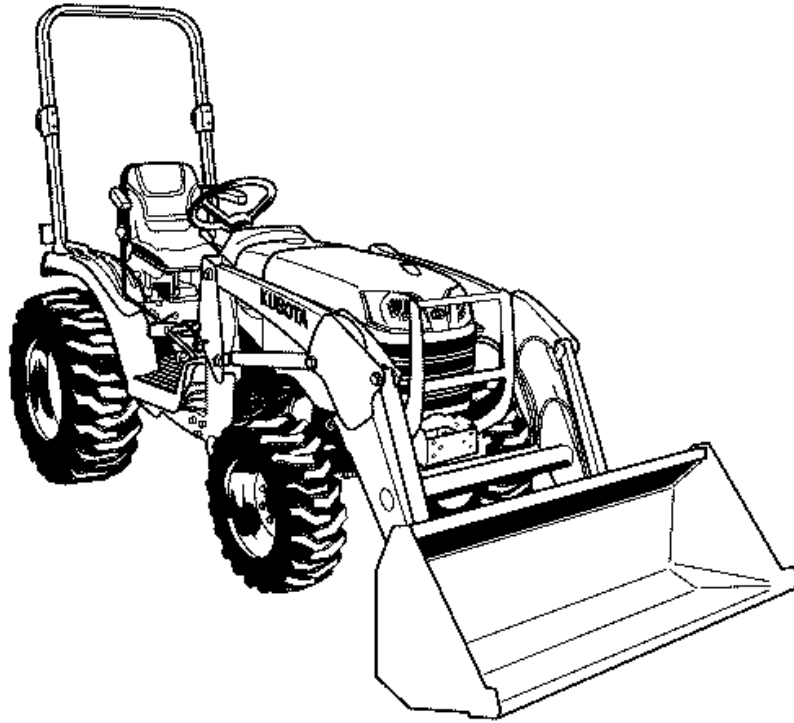


BUCKET

Ref	Part Number	Part Name	Qty	IC	S/N	Lbs	Remarks
010	7J053-50000	BUCKET 50	1			0	
020	7J612-59420	EDGE 2,CUTTING	2	NI	>=A5960	0	
020	7J266-59332	EDGE 2,CUTTING	2		<=A5959	1.012	
030	75540-59450	LABEL,LEVELER	1			0.002	ENGLISH
040	75553-99630	LABEL,LEVELER FRENC.	1			0.011	FRENCH

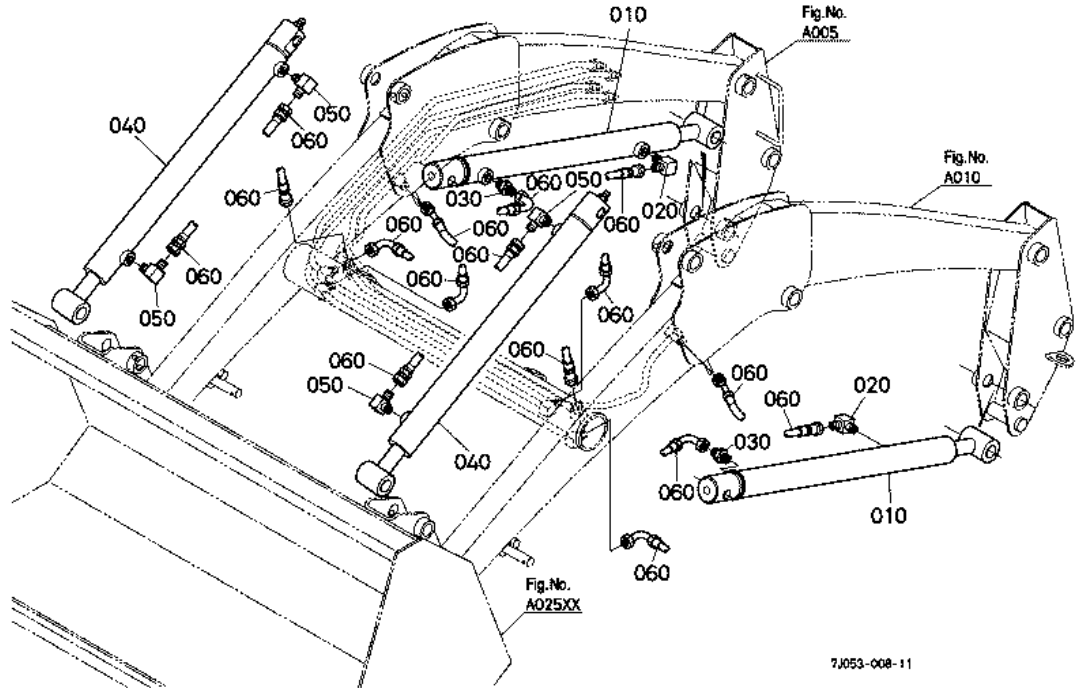
hydraulic system

Figure Num HYDRAULIC



CYLINDER/HYDRAULIC HOSE

Figure Num 01B01502



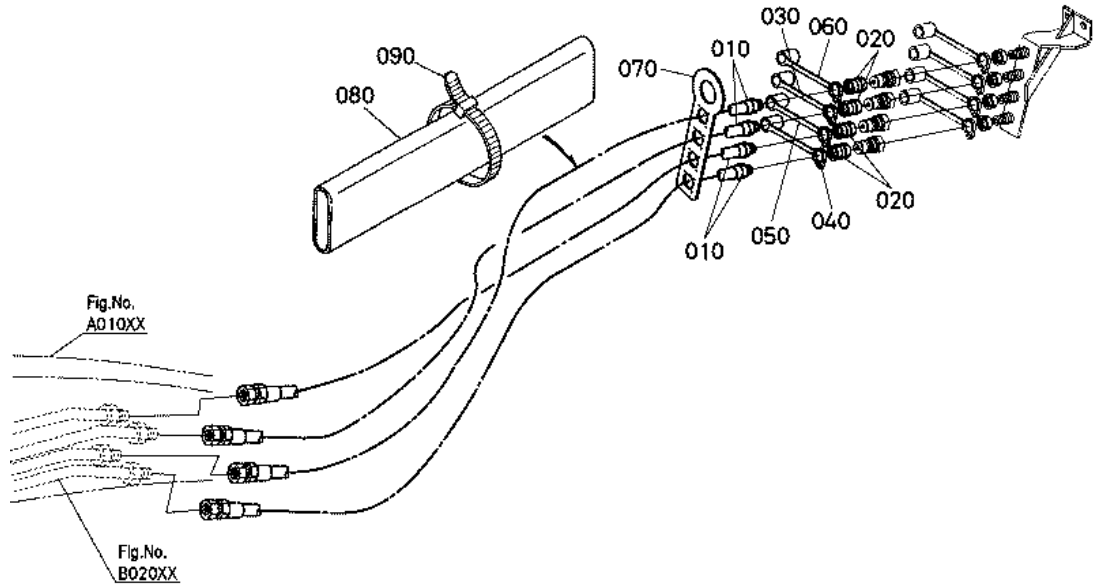
7J053-008-11

CYLINDER/HYDRAULIC HOSE

Ref	Part Number	Part Name	Qty	IC	S/N	Lbs	Remarks
010	7J053-63010	CYLINDER 1	2			0	
020	K6072-63660	ADAPTER	2			0.094	
030	75536-66810	ADAPTER 1	2			0.088	
040	7J053-64010	CYLINDER 2	2			0	
050	K6072-63660	ADAPTER	4			0.094	
060	75532-66610	HOSE 8 HYDRAULIC	8			0.55	

HYDRAULIC HOSE(HYD.OUTLET BLOCK)

Figure Num 01B01600



7.053-009-12

HYDRAULIC HOSE(HYD.OUTLET BLOCK)

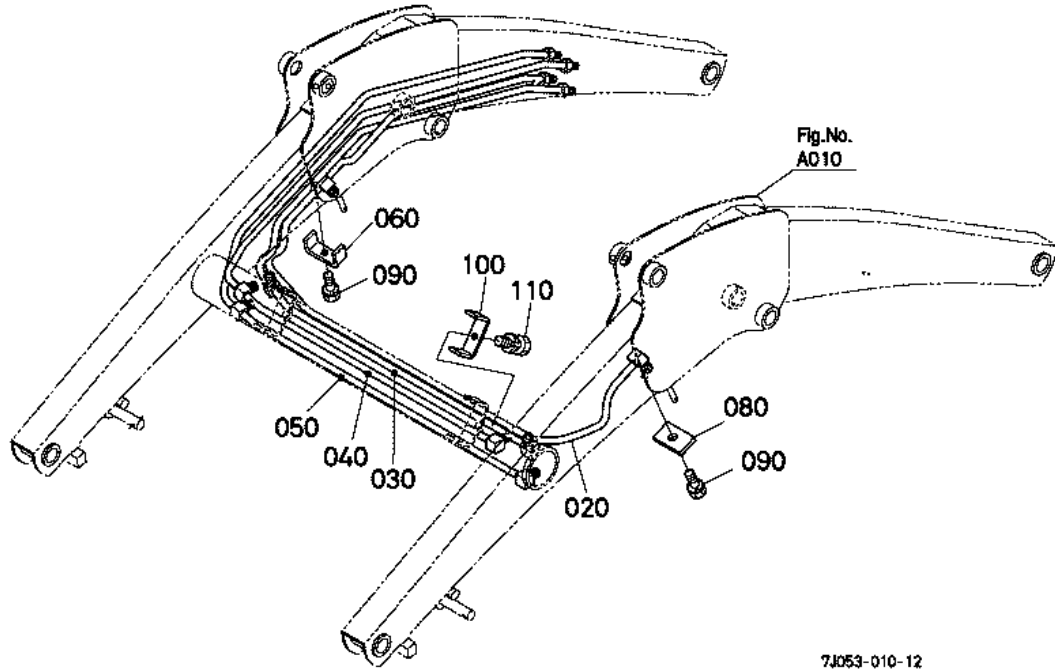
Ref	Part Number	Part Name	Qty	IC	S/N	Lbs	Remarks
010	7J041-76110	HOSE 1,HYDRAULIC	4			1.034	
020	7J612-66323	COUPLER	4	>>	>=A6121	0	1/4(72C4-4F)
020	7J612-66320	COUPLER	4		<=A6120	0	1/4(72C4-4F) / ORDER
030	7J245-66310	PLUG,DUST	1			0.030	1/4(72PDP-4B)
040	7J245-66320	PLUG,DUST	1			0.039	1/4(PDP-4YY)
050	7J245-66330	PLUG,DUST	1			0.198	1/4(PDP-4R)
060	7J245-66340	PLUG,DUST	1			0.022	1/4(PDP-4W)

HYDRAULIC HOSE(HYD.OUTLET BLOCK)

Ref	Part Number	Part Name	Qty	IC	S/N	Lbs	Remarks
070	7J053-66380	CLAMP,HOSE	1			0	
080	75536-66140	SLEEVE	1			0.246	PSB39(30.0)
090	75590-64650	BAND,CODE	2			0.022	

HYDRAULIC TUBE

Figure Num 01B02000



HYDRAULIC TUBE

Ref	Part Number	Part Name	Qty	IC	S/N	Lbs	Remarks
020	7J053-65110	TUBE 1	1			0	
030	7J053-65210	TUBE 2	1			0	
040	7J053-65310	TUBE 3	1			0	
050	7J053-65410	TUBE 4	1			0	
060	7J612-65530	CLAMP 2	2			0	
080	7J048-65550	CLAMP 3	1			0	
090	01023-50612	BOLT	3		>=A5508	0.011	

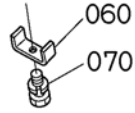
HYDRAULIC TUBE

Ref	Part Number	Part Name	Qty	IC	S/N	Lbs	Remarks
090	01023-50612	BOLT	1		<=A5507	0.011	
100	7J612-65513	CLAMP 1	2			0	
110	01123-50820	BOLT	2			0.024	

HYDRAULIC TUBE

Figure Num 01B02000

OLD



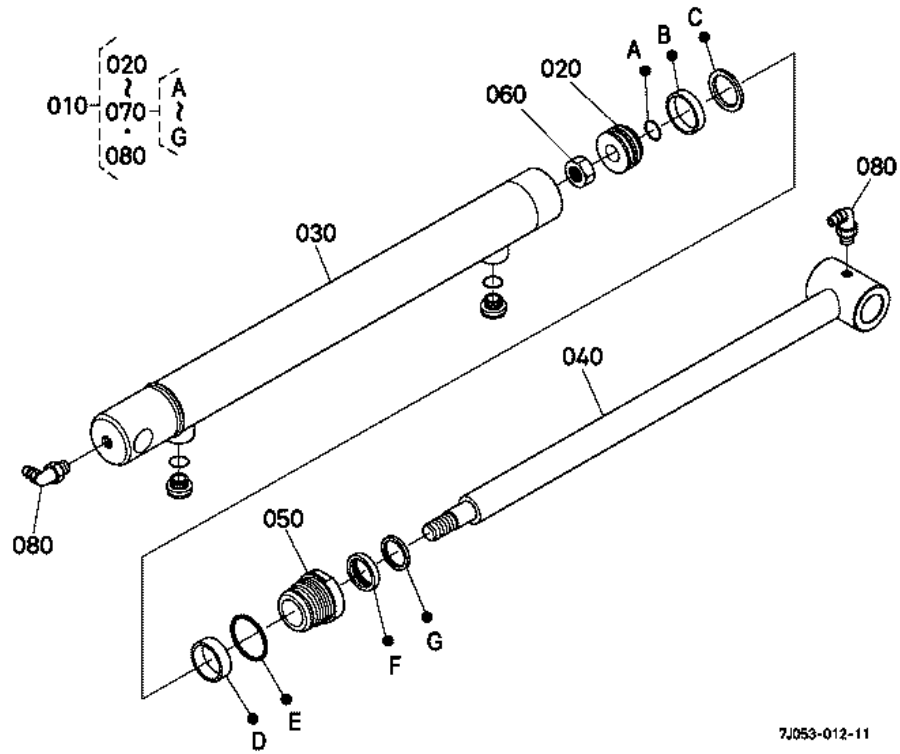
7J053-800-10

HYDRAULIC TUBE

Ref	Part Number	Part Name	Qty	IC	S/N	Lbs	Remarks
060	7J612-65530	CLAMP 2	2			0	
070	01023-50625	BOLT	2		<=A5507	0.015	

CYLINDER (BOOM)[COMPONENT PARTS]

Figure Num 01B02502



7J053-012-11

CYLINDER (BOOM)[COMPONENT PARTS]

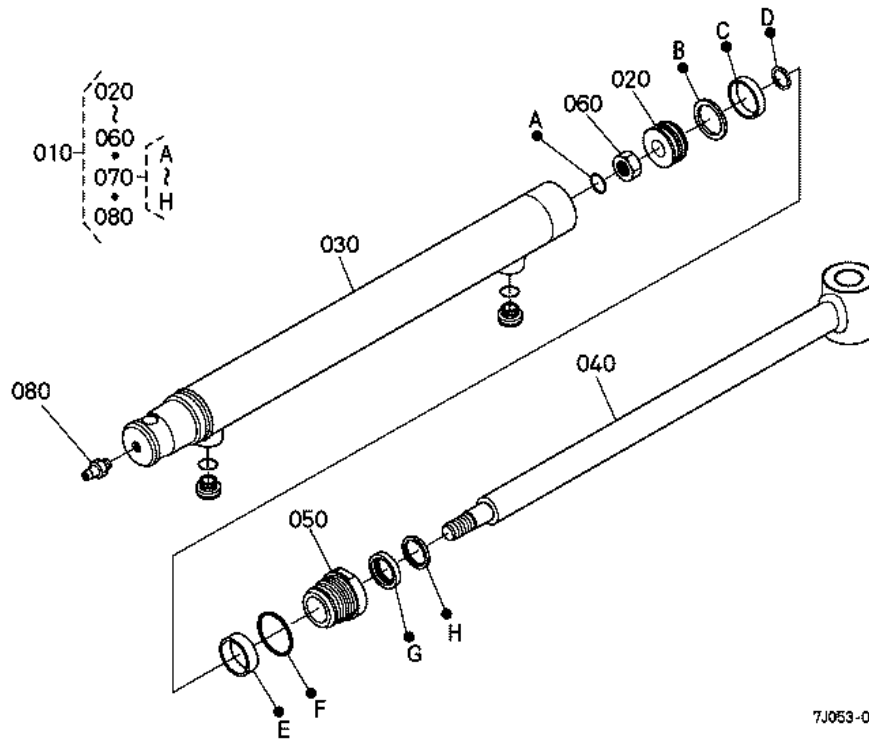
Ref	Part Number	Part Name	Qty	IC	S/N	Lbs	Remarks
010	7J053-63010	CYLINDER 1	2			0	
020	K7561-37520	PISTON	2	=	>=A5865	0	
020	7J053-63350	PISTON 1	2		<=A5864	0	
030	7J053-63100	TUBE 1 COMP.	2			0	
040	7J053-64200	ROD 2 COMP.	2	>>	>=A5865	0	
040	7J053-63200	ROD 1 COMP.	2		<=A5864	0	
050	K7561-37550	CAP,END	2	=	>=A3265	0	

CYLINDER (BOOM)[COMPONENT PARTS]

Ref	Part Number	Part Name	Qty	IC	S/N	Lbs	Remarks
050	7J053-63310	HEAD 1	2		<=A3264	0	
060	7J053-63360	NUT	2			0	M8*1.5
070	7J053-63400	KIT 1,SEAL	2			0	
080	75532-63470	FITTING,GREASE	4			0.022	90DEG.

CYLINDER (BUCKET)[COMPONENT PARTS]

Figure Num 01B03002



7J053-014-11

CYLINDER (BUCKET)[COMPONENT PARTS]

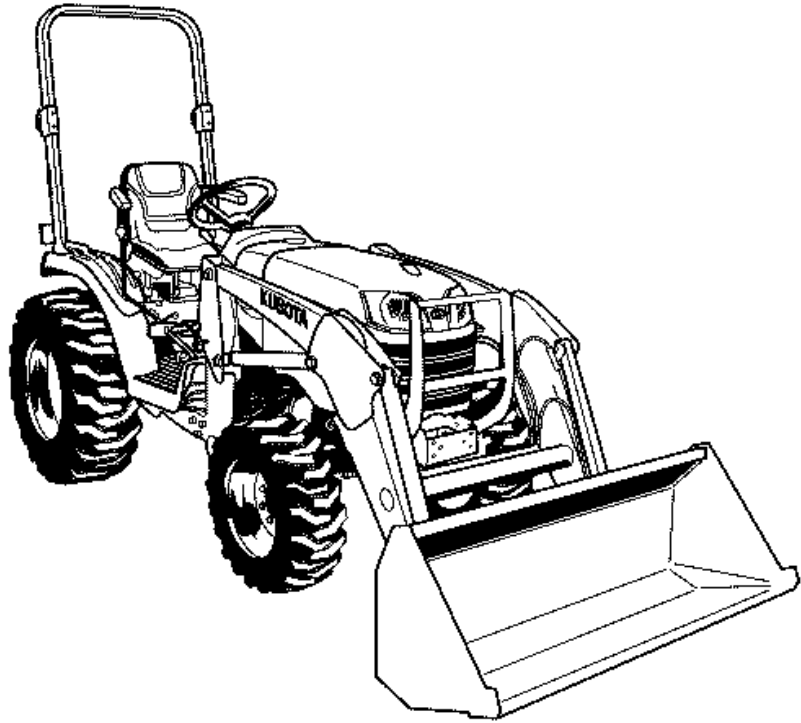
Ref	Part Number	Part Name	Qty	IC	S/N	Lbs	Remarks
010	7J053-64010	CYLINDER 2	2			0	
020	7J053-63350	PISTON 1	2			0	
030	7J053-63100	TUBE 1 COMP.	2			0	
040	7J053-63200	ROD 1 COMP.	2			0	
050	K7561-37550	CAP,END	2	=	>=A3265	0	
050	7J053-63310	HEAD 1	2		<=A3264	0	
060	7J053-63360	NUT	2			0	M8*1.5

CYLINDER (BUCKET)[COMPONENT PARTS]

Ref	Part Number	Part Name	Qty	IC	S/N	Lbs	Remarks
070	7J053-63400	KIT 1,SEAL	2			0	
080	75599-81531	FITTING,GREASE	2			0.015	

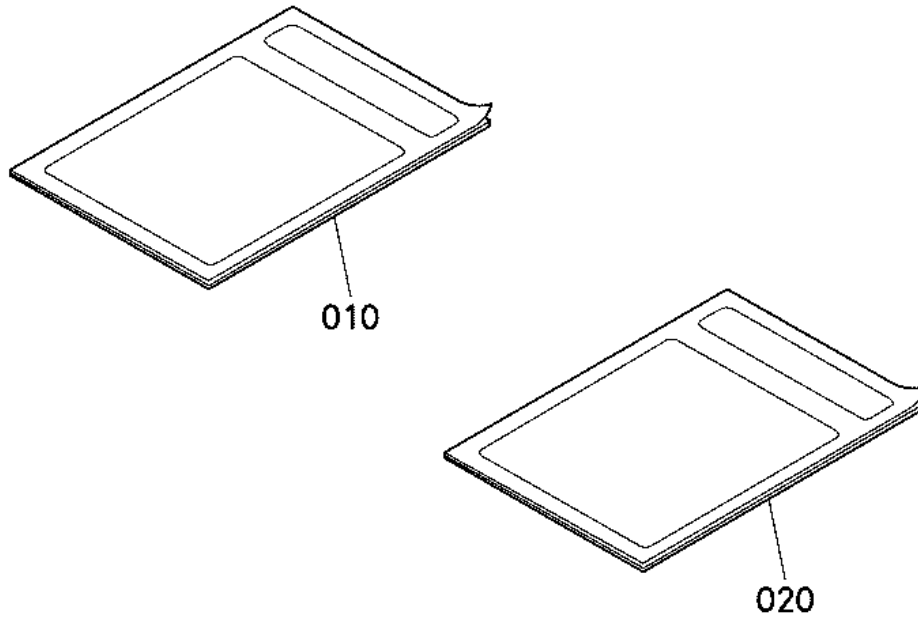
accessories

Figure Num ACCESSOR



ACCESSORIES AND SERVICE PARTS

Figure Num 01D00100



5K263-004-10

ACCESSORIES AND SERVICE PARTS

Ref	Part Number	Part Name	Qty	IC	S/N	Lbs	Remarks
010	7J055-69122	OPERATORS,MANUAL	1	>>	>=A6925	0	ENGLISH
010	7J055-69120	OPERATOR'S MANUAL	1	=	>=A4723	0	ENGLISH
010	7J053-69120	OPERATOR'S MANUAL	1		<=A4722	0	ENGLISH
020	7J055-95910	OPERATOR'S MANUAL(F.	1	=	>=A6413	0	FRENCH
020	7J053-95910	OPERATOR'S MANUAL(F.	1		<=A6412	0	FRENCH