

Instructions for Parts Books

The heading at the top of the page will be the same for the picture of the parts as it is for the page with the part numbers.

Definition of column headings on part number pages:

REF.No → The number referring to the part on the picture page of the parts book.

Part No. → The number assigned to this part at the time of printing the parts book.

Description → Description of part.

Q'ty → Quantity of part used on that page.

S.No. → Serial number range of the equipment that this part will fit.

>= Your serial number should be greater than or equal to the number shown.

<= Your serial number should be lesser than or equal to the serial number shown.

I/C → Interchangeability of part shown.

↔ The part shown will work for the older and later serial number.

The part shown is not interchangeable with the other serial number.

← new for old

→ old for new

Remarks → Notes about this particular part. Sometimes this may say except [FR] or [CA]

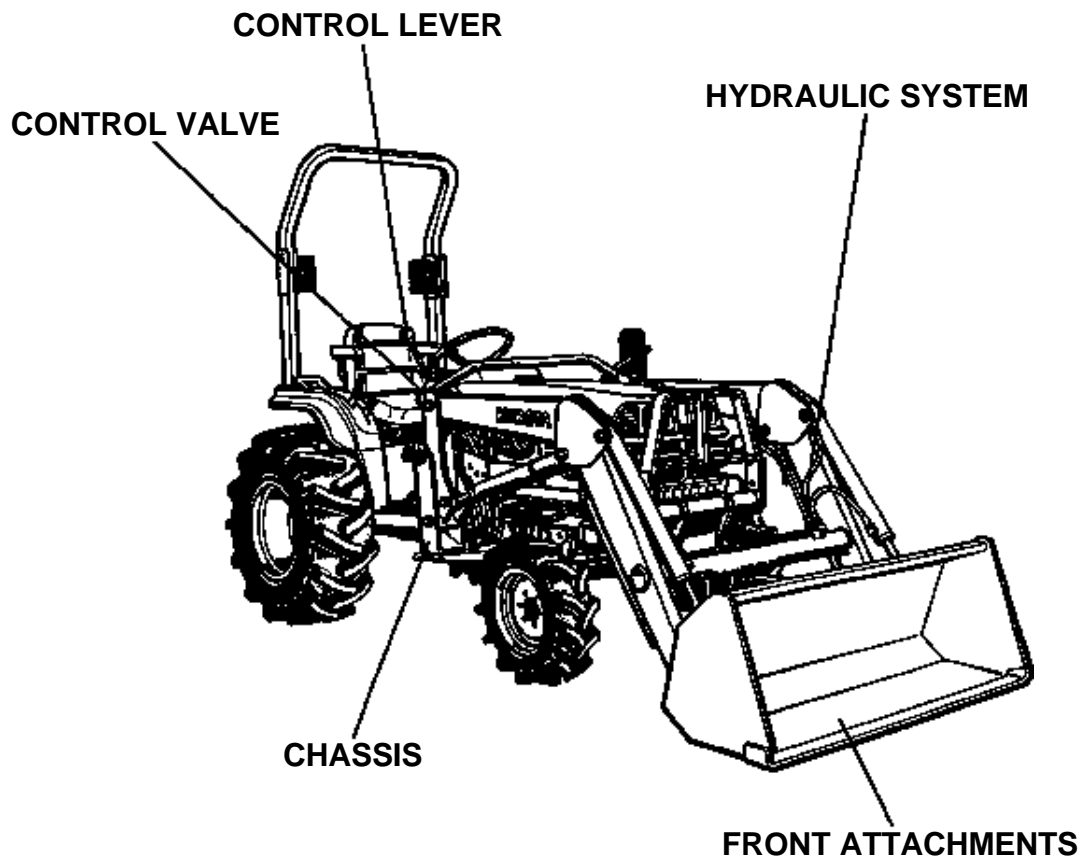
Note about Country Codes:

The parts books we use in the United States of America may also contain information about a part that would be different in another country. It is important that you are aware of the country codes in some instances.

Symbol	Country
A	United States of America
CA	Canada
FR	France
GR	Greece
PO	Portugal
AU	Australia

If the remarks column says for example EXCEPT [FR] this part works in all countries except France. That means it will work here in the USA.

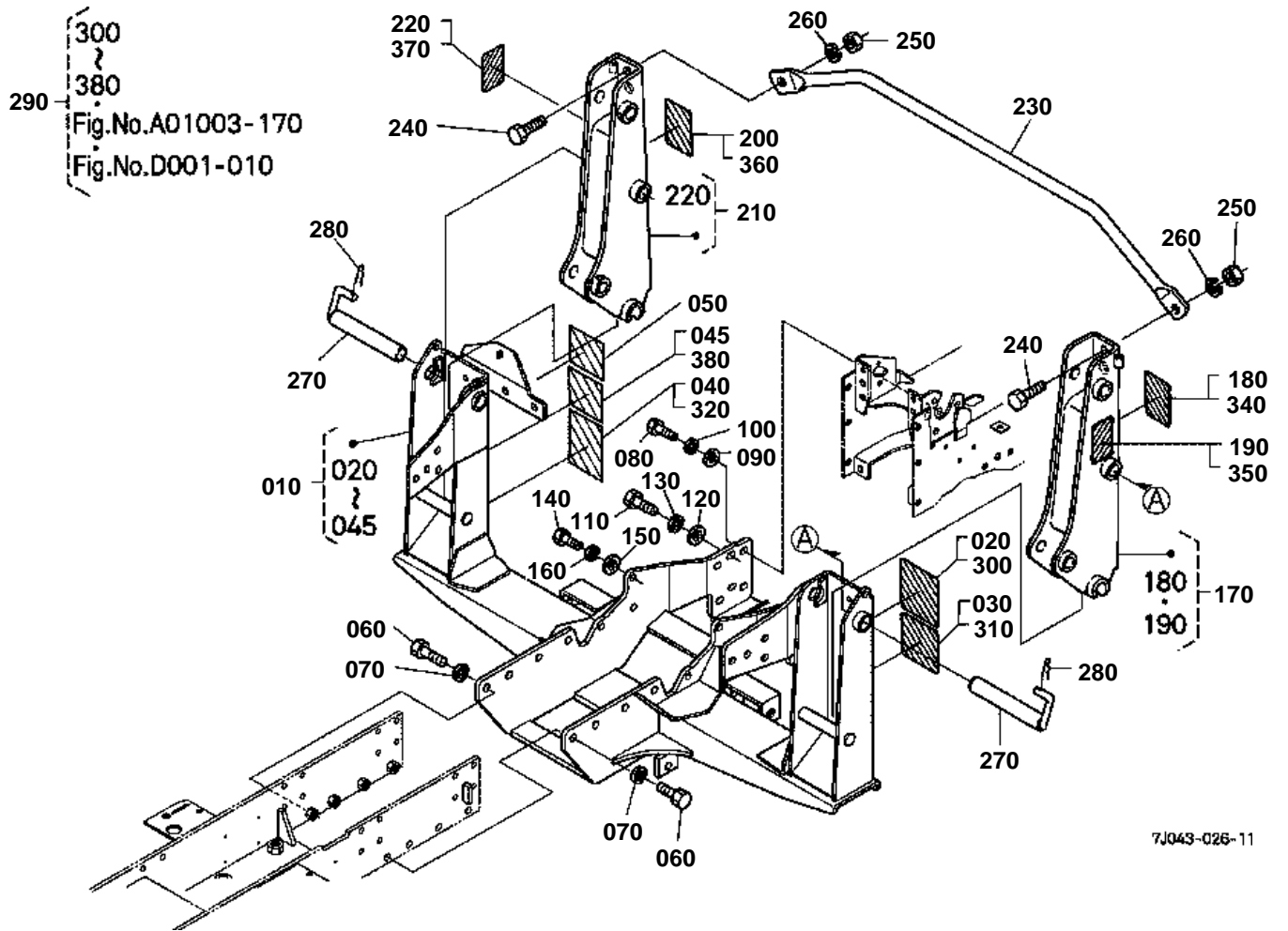
ALL PRODUCT INDEX
LA402 Loader



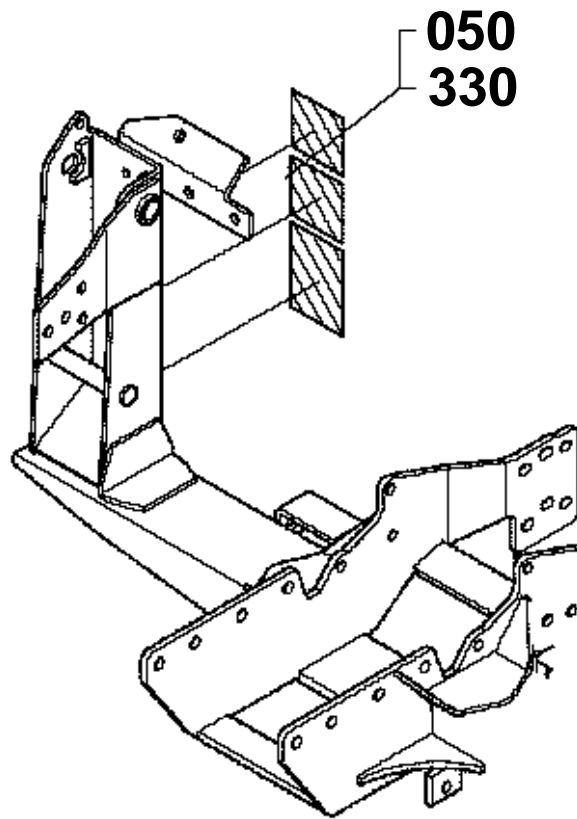
ACCESSORIES AND SERVICE PARTS

Item	Part No.	Description	Book
CHASSIS	01A00102	MAIN FRAME	100A0225
	01A00304	BRACE	100A0225
FRONT ATTACHMENTS	01A01003	BOOM	100A0225
CONTROL VALVE	01B00101	CONTROL VALVE	100A0225
	01B00102	CONTROL VALVE	100A0225
	01B00103	CONTROL VALVE	100A0225
	01B00501	CONTROL VALVE [COMPONENT PARTS]	100A0225
	01B00502	CONTROL VALVE [COMPONENT PARTS]	100A0225
	01B00503	CONTROL VALVE [COMPONENT PARTS]	100A0225
CONTROL LEVER	01B01302	CONTROL LEVER	100A0225
	01B01303	CONTROL LEVER	100A0225
HYDRAULIC SYSTEM	01B01502	CYLINDER/HYDRAULIC HOSE	100A0225
	01B016	HYDRAULIC HOSE(HYD.OUTLET BLOCK)	100A0225
	01B02002	HYDRAULIC TUBE	100A0225
	01B02502	CYLINDER (BOOM)[COMPONENT PARTS]	100A0225
	01B03002	CYLINDER (BUCKET)[COMPONENT PARTS]	100A0225
	01B03503	HYDRAULIC BLOCK	100A0225
	01B03504	HYDRAULIC BLOCK	100A0225
ACCESSORIES AND SERVICE PARTS	01D001	ACCESSORIES AND SERVICE PARTS	100A0225

MAIN FRAME



OLD PART



7J043-801-10

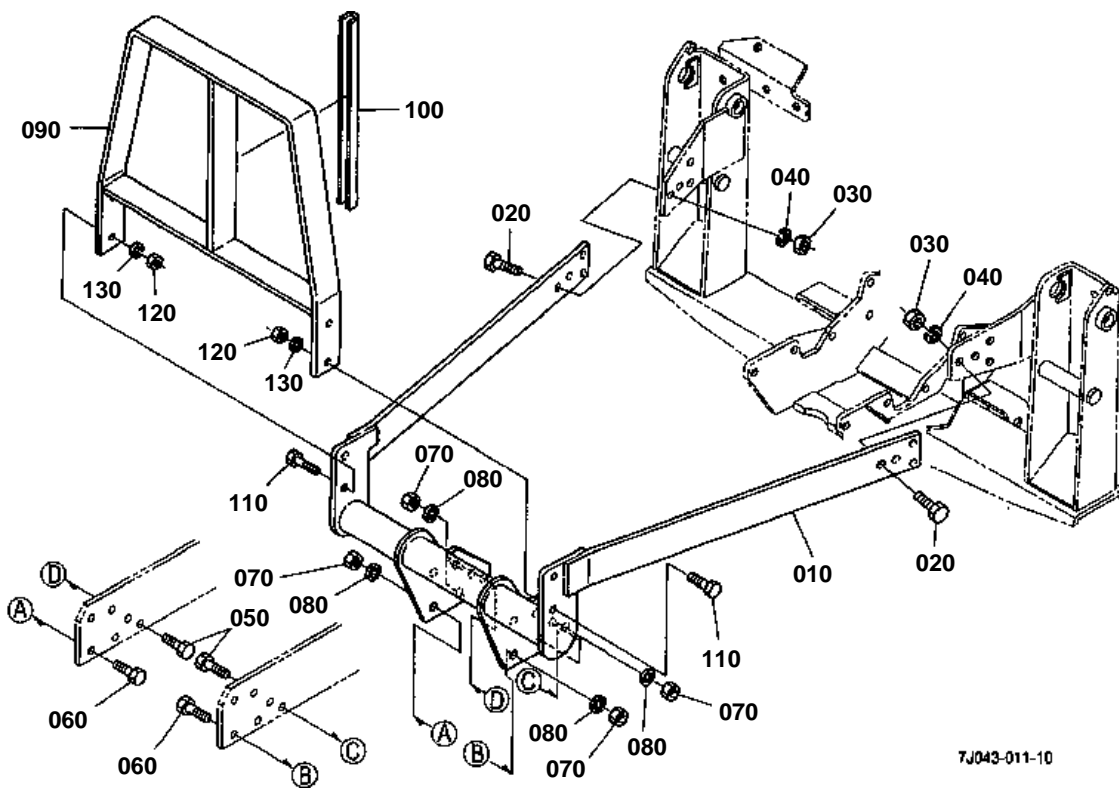


MAIN FRAME

↔ Interchangeable; ≠ not interchangeable; ← new for old; → old for new

REF.No	Part No.	Description	Q'ty	S.No.	I/C	REMARKS	Weight (kgf)	Weight (lb)
010	7J045-90110	FRAME MAIN(LABEL)	1	<=29999			97	213.4
010	7J045-90182	FRAME MAIN(LABEL)	1	>=50001	≠		108	237.6
010	7J045-90183	FRAME MAIN(LABEL)	1	>=51242	←		0	0
020	75546-56415	LABEL DANGER 1	1	<=16233		ENGLISH	0	0
020	7J246-56410	LABEL DANGER 1	1	>=16234	←	ENGLISH	0.002	0.0044
030	75567-56422	LABEL DANGER 2	1	<=16233		ENGLISH	0	0
030	7J246-56420	LABEL DANGER 2	1	>=16234	←	ENGLISH	0.001	0.0022
040	75546-56452	LABEL CAUTION 1	1	<=16233		ENGLISH	0	0
040	7J246-56450	LABEL CAUTION 1	1	>=16234	←	ENGLISH	0.002	0.0044
045	7J266-56490	LABEL CAUTION 4	1	>=50001		ENGLISH	0.001	0.0022
050	75540-62360	LABEL CONTROL	1	<=29999		ENGLISH	0.001	0.0022
050	7J266-62360	LABEL CONTROL	1	>=50001	≠	ENGLISH	0.002	0.0044
060	01073-51435	BOLT	8				0.063	0.1386
070	75599-33016	WASHER SPRING	8			9/16	0.08	0.176
080	01073-51230	BOLT	4				0.041	0.0902
090	75599-32515	WASHER PLAIN	4			1/2HD	0.01	0.022
100	04512-60120	WASHER SPRING	4				0.005	0.011
110	01073-51435	BOLT	2				0.063	0.1386
120	75599-32516	WASHER PLAIN	2			9/16HD	0.011	0.0242
130	75599-33016	WASHER SPRING	2			9/16	0.08	0.176
140	01053-51235	BOLT	6				0.042	0.0924
150	75599-32515	WASHER PLAIN	6			1/2HD	0.01	0.022
160	04512-60120	WASHER SPRING	6				0.005	0.011
170	7J045-90130	FRAME SIDE LH(LABEL)	1				9.1	20.02
180	75546-56430	LABEL DANGER 3	1	<=16233		ENGLISH(NOT SALE)	0	0
180	7J246-56430	LABEL DANGER 3	1	>=16234	←	ENGLISH	0.002	0.0044
190	75546-56440	LABEL WARNING 1	1	<=16233		ENGLISH	0	0
190	7J246-56442	LABEL WARNING 1	1	>=16234	←	ENGLISH	0.01	0.022
200	75580-56370	LABEL LUBRICATE	1			ENGLISH	0.001	0.0022
210	7J045-90140	FRAME SIDE RH(LABEL)	1				7.95	17.49
220	75546-56440	LABEL WARNING	1	<=16233		ENGLISH	0	0
220	7J246-56442	LABEL WARNING	1	>=16234	←	ENGLISH	0.01	0.022
230	7J040-56710	CONNECTOR SIDE FRAME	1				2.55	5.61
240	75599-04625	HEX.BOLT	2			9/16-18UNF*1-1/4	0.056	0.1232
250	75599-31066	HEX.NUT	2			9/16-18UNF	0.03	0.066
260	75599-33016	WASHER SPRING	2			9/16	0.08	0.176
270	7J043-56810	PIN MOUNT	2				0.71	1.562
280	75599-56004	PIN SNAP	2				0.01	0.022
290	7J043-95500	KIT FRENCH LA272	1	<=19215			0	0
290	7J043-95502	KIT FRENCH LA272	1	>=19216	←		0.165	0.363
290	7J043-95510	KIT FRENCH LA272-1	1	>=50001	≠		0	0
300	75546-99612	LABEL DANGER 1(F)	1	<=19215		FRENCH	0	0
300	75546-99613	LABEL DANGER 1(F)	1	>=19216	←	FRENCH	0.001	0.0022
310	75567-99620	LABEL DANGER 2(F)	1	<=19215		FRENCH	0	0
310	75567-99622	LABEL DANGER 2(F)	1	>=19216	←	FRENCH	0.003	0.0066
320	75546-99653	LABEL CAUTION(F)	1	<=19215		FRENCH	0	0
320	75546-99654	LABEL CAUTION(F)	1	>=19216	←	FRENCH	0.003	0.0066
330	75553-99640	LABEL CONTROL(F)	1	<=19999		FRENCH	0.001	0.0022
340	75546-99630	LABEL DANGER 3(F)	1	<=19215		FRENCH	0	0
340	75546-99632	LABEL DANGER 3(F)	1	>=19216	←	FRENCH	0.01	0.022
350	75546-99640	LABEL WARNING 1(F)	1	<=19215		FRENCH	0	0
350	75546-99642	LABEL WARNING 1(F)	1	>=19216	←	FRENCH	0.001	0.0022
360	75580-95550	LABEL LUBRICATE FREN	1			FRENCH	0.001	0.0022
370	75546-99640	LABEL WARNING 1(F)	1	<=19215		FRENCH	0	0
370	75546-99642	LABEL WARNING 1(F)	1	>=19216	←	FRENCH	0.001	0.0022
380	7J266-99682	LABEL CAUTION 4(F)	1	>=50001		FRENCH	0.001	0.0022

BRACE



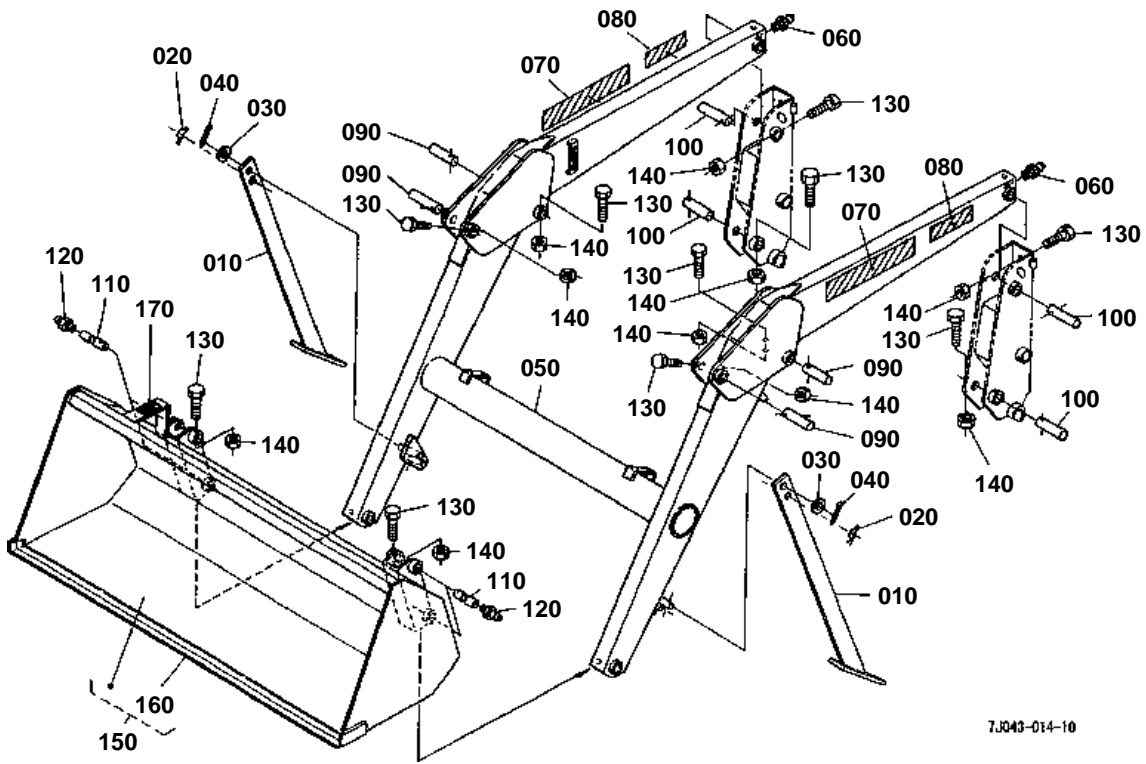
7J043-011-10

**BRACE**

↔ Interchangeable; ≠ not interchangeable; ← new for old; → old for new

REF.No	Part No.	Description	Q'ty	S.No.	I/C	REMARKS	Weight (kgf)	Weight (lb)
010	7J040-57400	BRACE	1				25	55
020	75599-04630	HEX.BOLT	8			9/16-18UNF*1-1/2	0.067	0.1474
030	75599-31066	HEX.NUT	8			9/16-18UNF	0.03	0.066
040	75599-33016	WASHER SPRING	8			9/16	0.08	0.176
050	75599-04635	HEX.BOLT	6			9/16-18UNF*1-3/4	0.073	0.1606
060	75599-04630	HEX.BOLT	6			9/16-18UNF*1-1/2	0.067	0.1474
070	75599-31066	HEX.NUT	12			9/16-18UNF	0.03	0.066
080	75599-33016	WASHER SPRING	12			9/16	0.08	0.176
090	75536-57800	COMP.GUARD FRONT	1				6.5	14.3
100	75536-57890	CUSHION	1				0.05	0.11
110	75599-04530	HEX.BOLT	4			1/2-20UNF*1-1/2	0.05	0.11
120	75599-31025	HEX.NUT	4			1/2-20UNF	0.015	0.033
130	75599-33015	WASHER SPRING LOCK	4			1/2	0.006	0.0132

BOOM



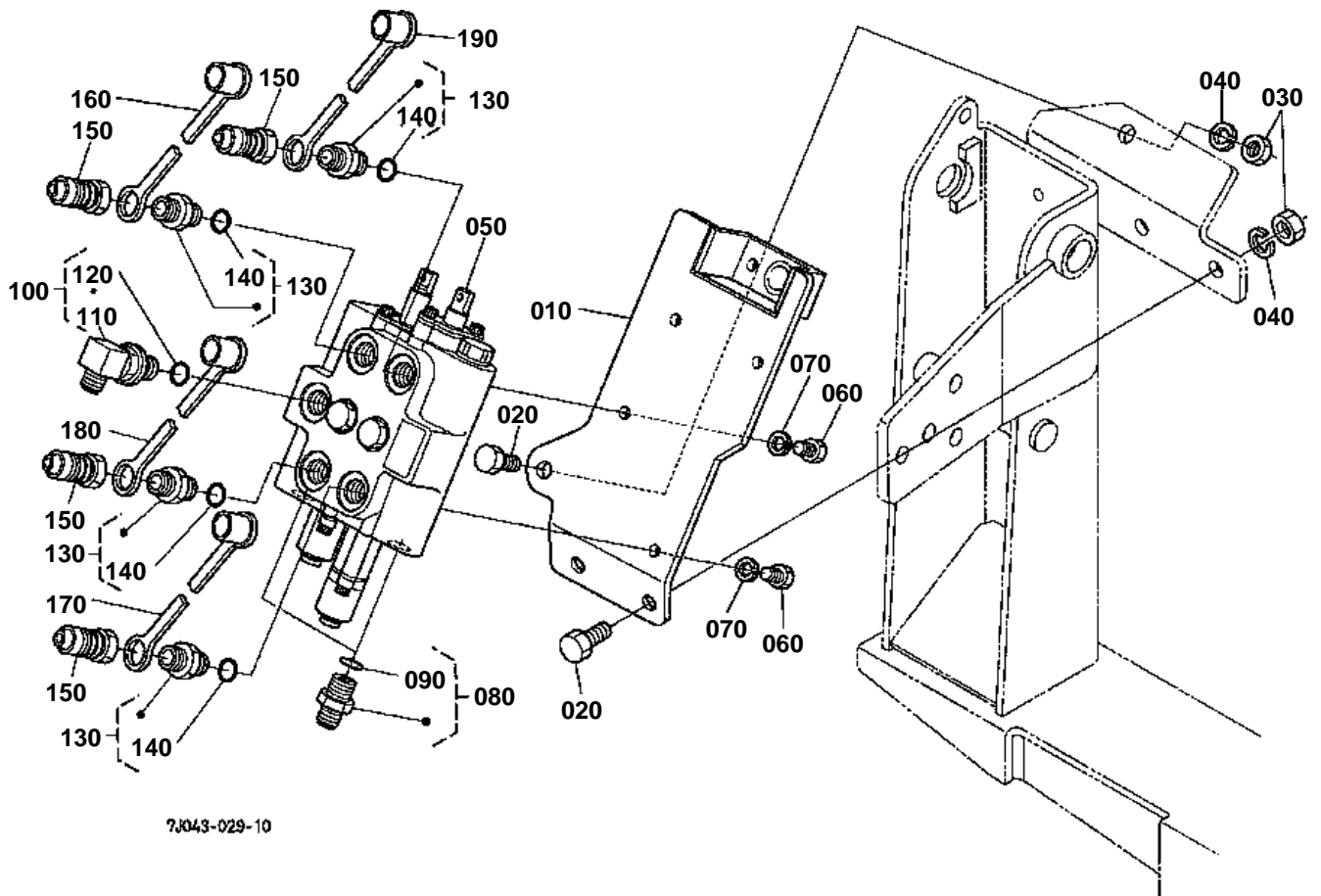
7J043-014-10

**BOOM**

↔ Interchangeable; ≠ not interchangeable; ← new for old; → old for new

REF.No	Part No.	Description	Q'ty	S.No.	I/C	REMARKS	Weight (kgf)	Weight (lb)
010	7J045-57550	STAND	2				2.73	6.006
020	75599-56006	HAIRPIN COTTER	2				0.01	0.022
030	75599-32017	WASHER PLAIN	2			5/8	0.014	0.0308
040	75599-53183	PIN COTTER	2			9/64*1	0.003	0.0066
050	7J045-58010	BOOM	1				93	204.6
060	75599-81531	FITTING GREASE	2			1/8-27NPTF	0.007	0.0154
070	75580-58450	LABEL KUBOTA	2				0.01	0.022
080	7J045-58460	LABEL LA402	2	<=54063			0.004	0.0088
080	7J045-58560	LABEL LA402	2	>=54064	≠		0	0
090	75545-58510	PIN 1	4				0.365	0.803
100	75545-58610	PIN 2	4				0.425	0.935
110	75545-58710	PIN	4				0.4	0.88
120	75599-81521	FITTING GREASE	4			1/4-28T.T.	0.003	0.0066
130	75599-03145	HEX.BOLT	8			1/4-20UNC*2-1/4	0.018	0.0396
140	75599-31911	NUT LOCKING	8			1/4-20UNC	0.004	0.0088
150	7J040-59010	BUCKET 54	1				0	0
160	7J040-59320	EDGE CUTTING	1				13	28.6
170	75540-59450	LABEL LEVELER	1			ENGLISH	0.001	0.0022
170	75553-99630	LABEL LEVELER FRENCH	1			FRENCH	0.005	0.011

CONTROL VALVE



7,043-029-10

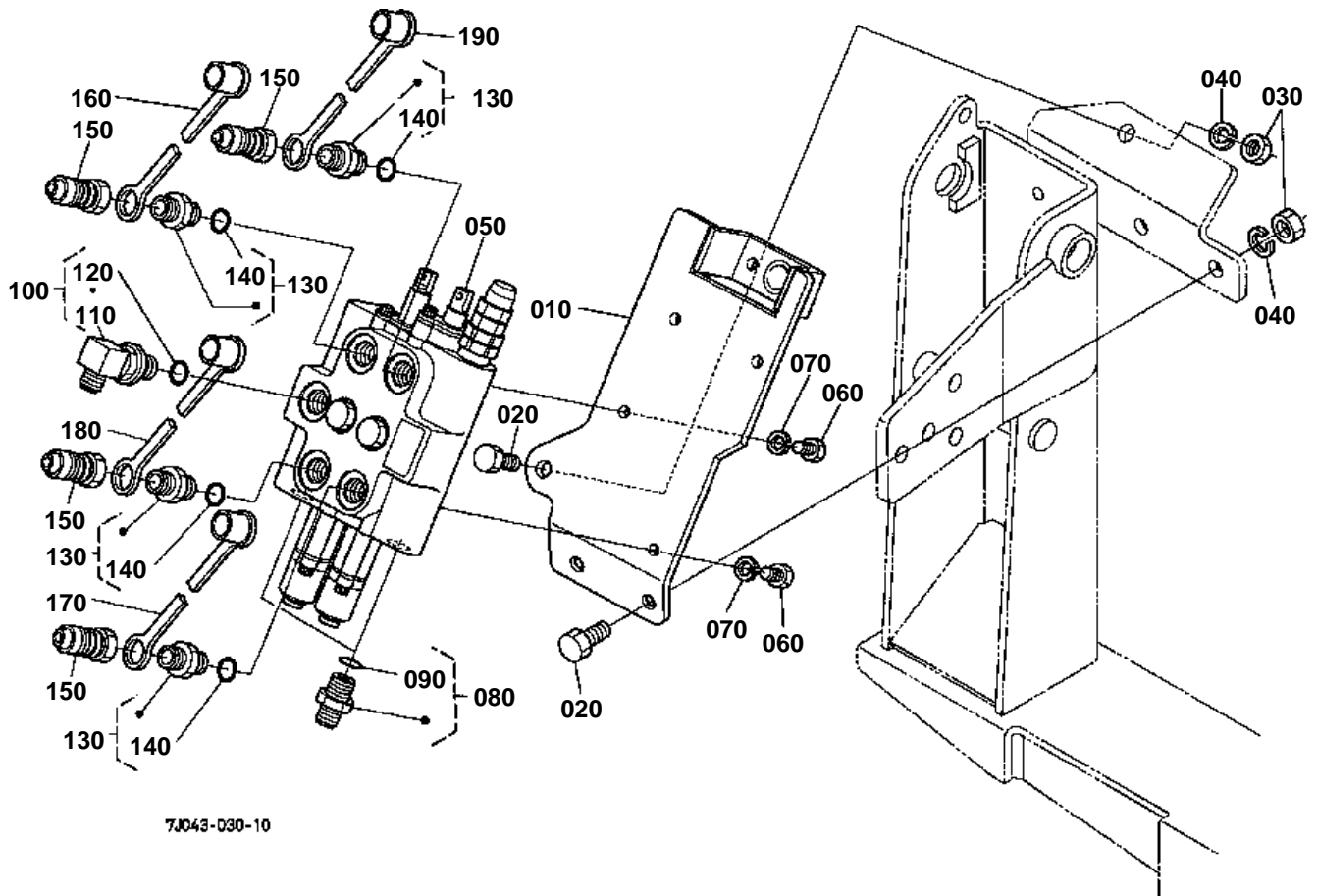


CONTROL VALVE
S.No.;<=29999 [3 POSITION VALVE TYPE]

↔ Interchangeable; ≠ not interchangeable; ← new for old; → old for new

REF.No	Part No.	Description	Q'ty	S.No.	I/C	REMARKS	Weight (kgf)	Weight (lb)
010	7J240-61110	STAY VALVE	1				2.315	5.093
020	75599-03525	HEX.BOLT	3			1/2-13UNC*1-1/4	0.025	0.055
030	75599-31015	NUT	3			1/2-13UNC	0.01	0.022
040	75599-33015	WASHER SPRING LOCK	3			1/2	0.006	0.0132
050	7J040-61010	VALVE CONTROL	1			B2069	6.2	13.64
060	75599-01115	HEX.BOLT	2			1/4-20UNC*3/4	0.007	0.0154
070	75599-33011	WASHER SPRING	2			1/4	0.002	0.0044
080	75540-61800	ASSY ADAPTER 1	2				0.06	0.132
090	75540-61820	O-RING	2				0.001	0.0022
100	75540-61900	ASSY ELBOW ADJUSTABL	1				0.11	0.242
110	75540-61910	ELBOW ADJUSTABLE	1				0.05	0.11
120	75540-61820	O-RING	1				0.001	0.0022
130	75532-61800	ASSY ADAPTER 2	4				0.06	0.132
140	75540-61820	O-RING	4				0.001	0.0022
150	75536-66220	NIPPLE	4				0.04	0.088
160	75536-66430	CAP DUST(72PDC-4)	1	<=15916			0.014	0.0308
160	7J245-66410	3/8CAP DUST	1	>=15917	←	(BLUE)	0.01	0.022
170	75536-66430	CAP DUST(72PDC-4)	1	<=15916			0.014	0.0308
170	7J245-66420	3/8CAP DUST	1	>=15917	←	(YELLOW)	0.017	0.0374
180	75536-66430	CAP DUST(72PDC-4)	1	<=15916			0.014	0.0308
180	7J245-66430	3/8CAP DUST	1	>=15917	←	(RED)	0.005	0.011
190	75536-66430	CAP DUST(72PDC-4)	1	<=15916			0.014	0.0308
190	7J245-66440	3/8CAP DUST	1	>=15917	←	(WHITE)	0.016	0.0352

CONTROL VALVE



7J043-030-10

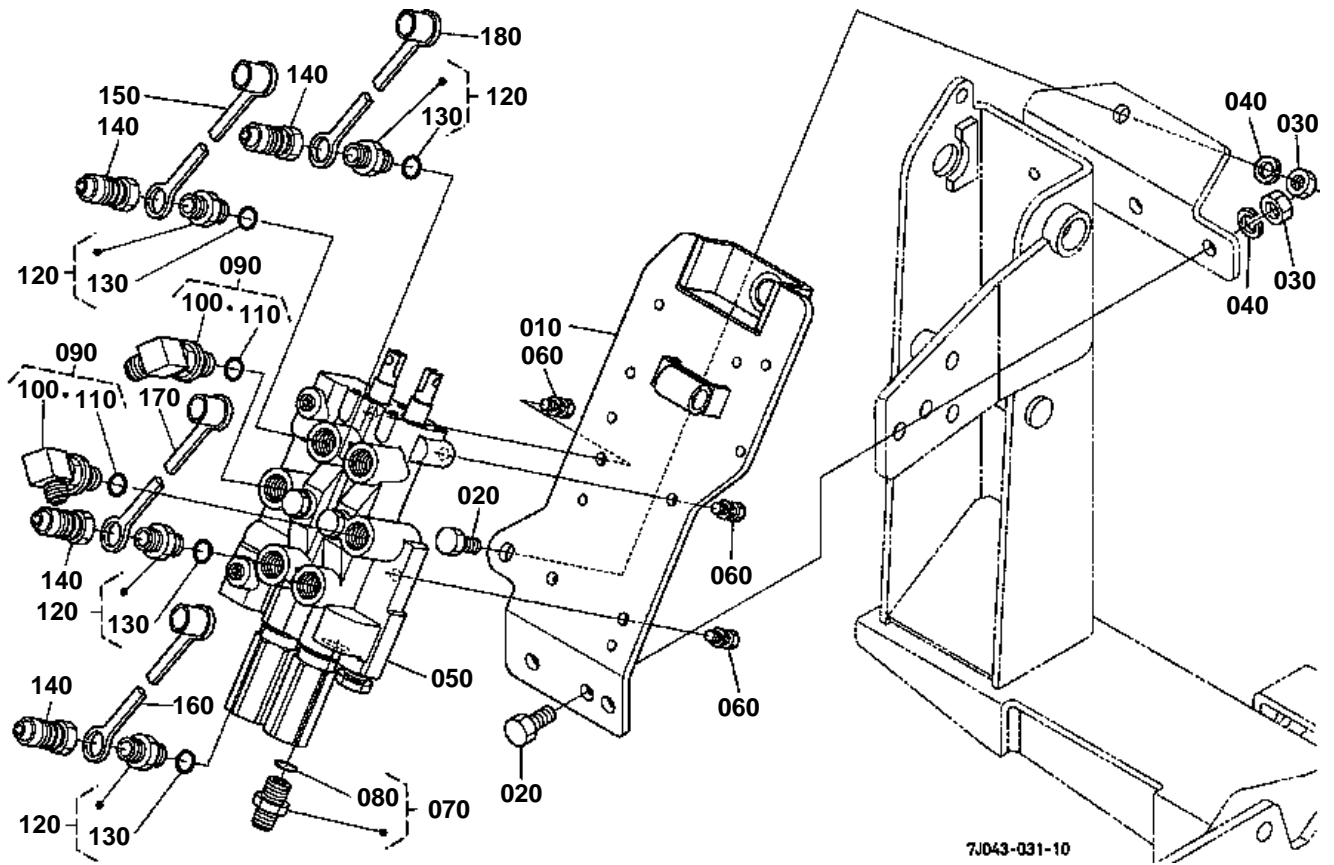


CONTROL VALVE
S.No.;<=29999 [4 POSITION VALVE TYPE]

↔ Interchangeable; ≠ not interchangeable; ← new for old; → old for new

REF.No	Part No.	Description	Q'ty	S.No.	I/C	REMARKS	Weight (kgf)	Weight (lb)
010	7J240-61110	STAY VALVE	1				2.315	5.093
020	75599-03525	HEX.BOLT	3			1/2-13UNC*1-1/4	0.025	0.055
030	75599-31015	NUT	3			1/2-13UNC	0.01	0.022
040	75599-33015	WASHER SPRING LOCK	3			1/2	0.006	0.0132
050	7J040-71010	VALVE CONTROL	1			B2079	12	26.4
060	75599-01115	HEX.BOLT	2			1/4-20UNC*3/4	0.007	0.0154
070	75599-33011	WASHER SPRING	2			1/4	0.002	0.0044
080	75540-61800	ASSY ADAPTER 1	2				0.06	0.132
090	75540-61820	O-RING	2				0.001	0.0022
100	75540-61900	ASSY ELBOW ADJUSTABL	1				0.11	0.242
110	75540-61910	ELBOW ADJUSTABLE	1				0.05	0.11
120	75540-61820	O-RING	1				0.001	0.0022
130	75532-61800	ASSY ADAPTER 2	4				0.06	0.132
140	75540-61820	O-RING	4				0.001	0.0022
150	75536-66220	NIPPLE	4				0.04	0.088
160	75536-66430	CAP DUST(72PDC-4)	1	<=15916			0.014	0.0308
160	7J245-66410	3/8CAP DUST	1	>=15917	←	(BLUE)	0.01	0.022
170	75536-66430	CAP DUST(72PDC-4)	1	<=15916			0.014	0.0308
170	7J245-66420	3/8CAP DUST	1	>=15917	←	(YELLOW)	0.017	0.0374
180	75536-66430	CAP DUST(72PDC-4)	1	<=15916			0.014	0.0308
180	7J245-66430	3/8CAP DUST	1	>=15917	←	(RED)	0.005	0.011
190	75536-66430	CAP DUST(72PDC-4)	1	<=15916			0.014	0.0308
190	7J245-66440	3/8CAP DUST	1	>=15917	←	(WHITE)	0.016	0.0352

CONTROL VALVE



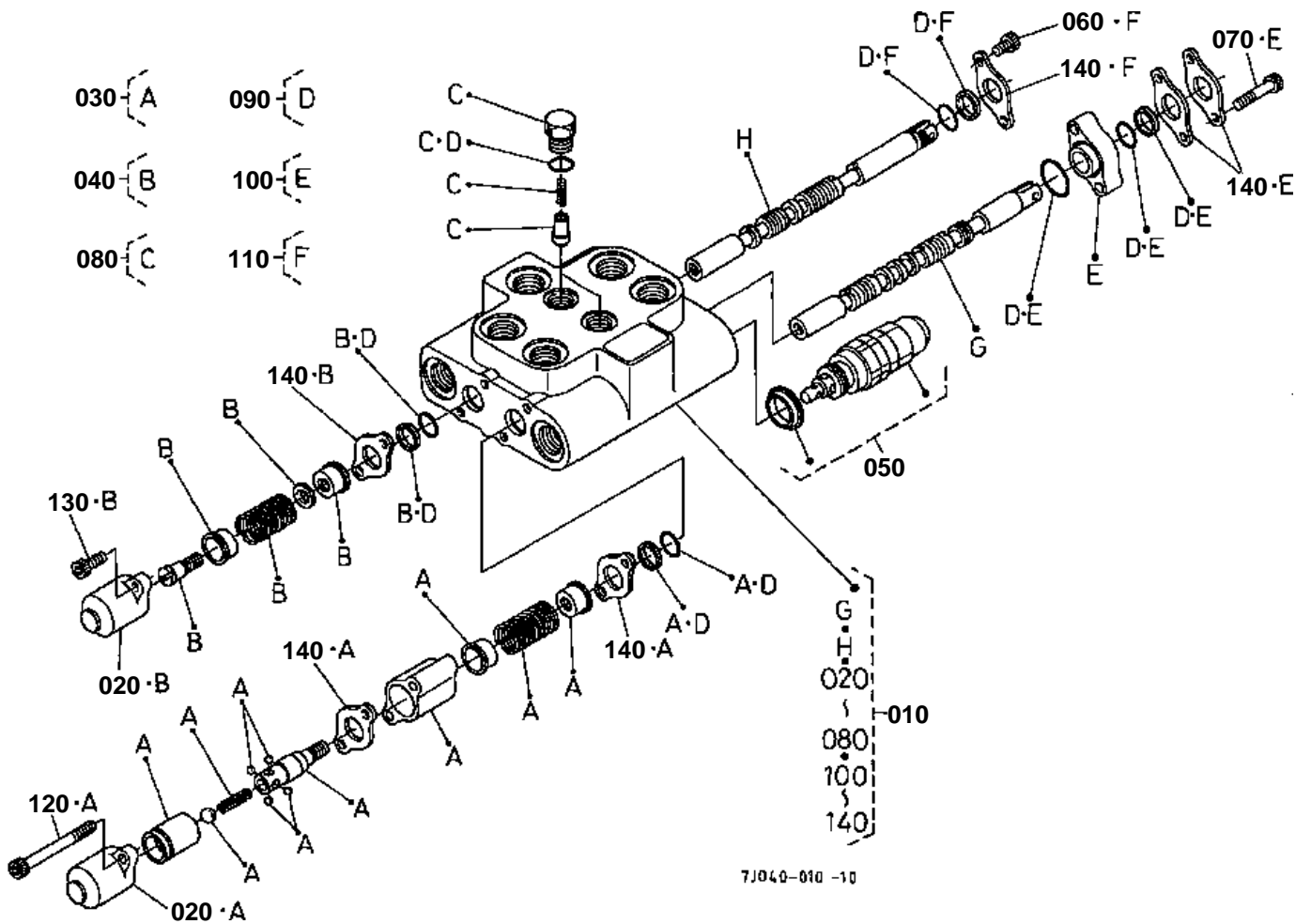


CONTROL VALVE
S.No.;>=50001 [4 POSITION VALVE TYPE]

↔ Interchangeable; ≠ not interchangeable; ← new for old; → old for new

REF.No	Part No.	Description	Q'ty	S.No.	I/C	REMARKS	Weight (kgf)	Weight (lb)
010	7J045-61110	STAY VALVE	1				0	0
020	01173-51230	BOLT	3				0.037	0.0814
030	02174-50120	NUT	3				0.01	0.022
040	04512-60120	WASHER SPRING	3				0.005	0.011
050	YW244-00100	ASSY VALVE CONTROL	1			B2079-1	6.7	14.74
060	01123-50820	BOLT	3	<=51241			0.011	0.0242
060	01123-50820	BOLT	4	>=51242			0.011	0.0242
070	75540-61800	ASSY ADAPTER	1				0.06	0.132
080	75540-61820	O-RING	1				0.001	0.0022
090	75540-61900	ASSY ELBOW ADJUSTABL	2				0.11	0.242
100	75540-61910	ELBOW ADJUSTABLE	2				0.05	0.11
110	75540-61820	O-RING	2				0.001	0.0022
120	75532-61800	ASSY ADAPTER 2	4				0.06	0.132
130	75540-61820	O-RING	4				0.001	0.0022
140	75536-66220	NIPPLE	4				0.04	0.088
150	7J245-66410	1/4CAP DUST	1			(BLUE)	0.01	0.022
160	7J245-66420	1/4CAP DUST	1			(YELLOW)	0.017	0.0374
170	7J245-66430	1/4CAP DUST	1			(RED)	0.005	0.011
180	7J245-66440	1/4CAP DUST	1			(WHITE)	0.016	0.0352

CONTROL VALVE [COMPONENT PARTS]



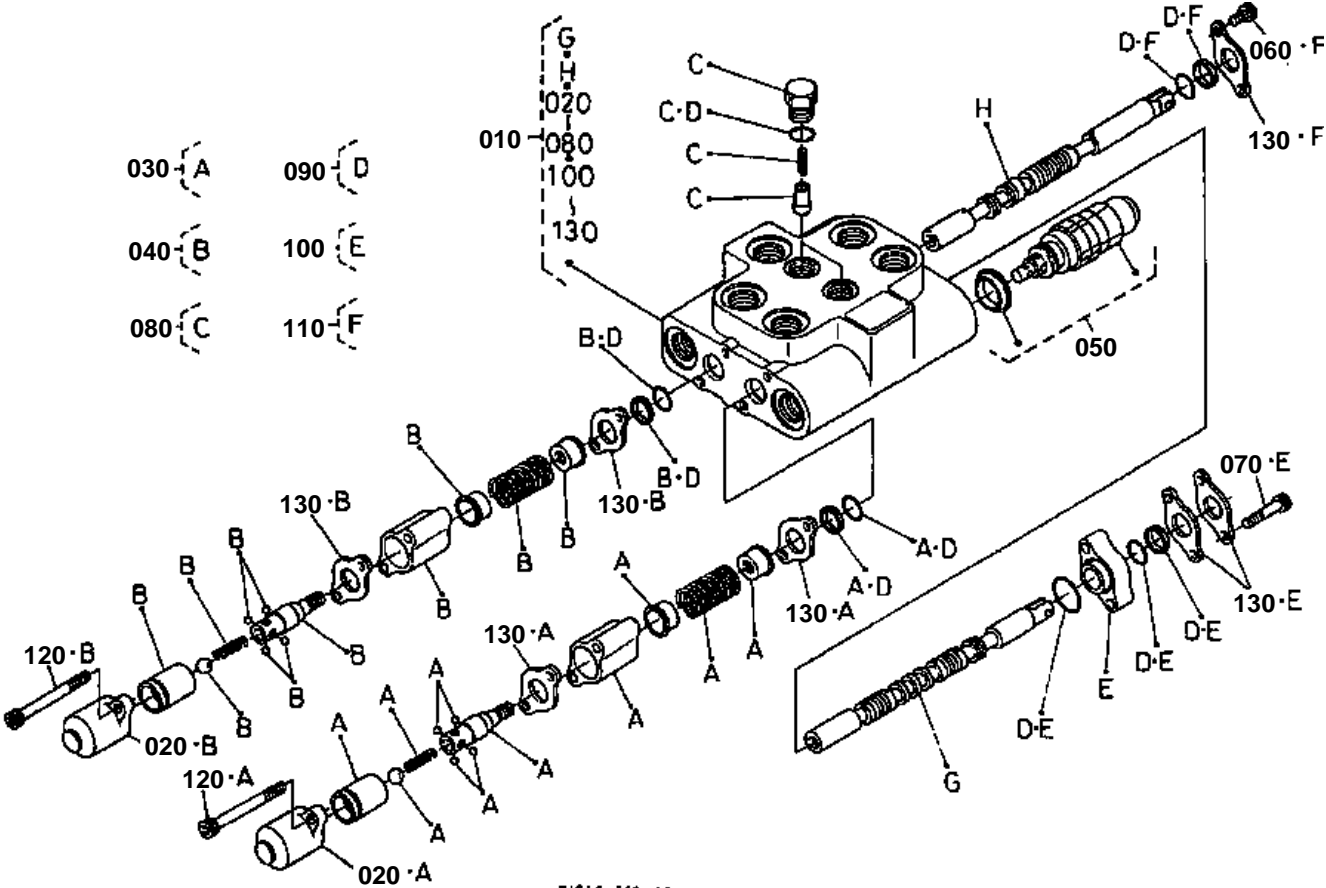


CONTROL VALVE [COMPONENT PARTS]
S.No.;<=29999 [3 POSITION VALVE TYPE]

↔ Interchangeable; ≠ not interchangeable; ← new for old; → old for new

REF.No	Part No.	Description	Q'ty	S.No.	I/C	REMARKS	Weight (kgf)	Weight (lb)
010	7J040-61010	VALVE CONTROL	1			B2069	6.2	13.64
020	75540-61450	CAP-SPOOL	2	<=20464		5028	0.032	0.0704
020	7J266-61450	CAP-SPOOL	2	>=20465	←	5028-6	0.2	0.44
030	75536-65400	KIT DETENT FLOAT	1			59221	0.21	0.462
040	7J240-65100	KIT REGEN.	1			59243	0.1	0.22
050	7J040-61500	ASSY RELIEF VALVE	1				0.218	0.4796
060	75536-65700	CAP SCREW-SOC.HD.	2			3386	0.002	0.0044
070	75540-61410	CAP SCREW-SOC.HD.	2			3424	0.01	0.022
080	75536-65200	KIT LOAD CHECK	2			59238	0.03	0.066
090	75536-65300	KIT SEAL	1			59239	0.006	0.0132
100	75536-65500	KIT UPPER BOOM SPOOL	1			59223	0.102	0.2244
110	75536-65600	KIT UPPER BKT SPOOL	1			59224	0.025	0.055
120	75536-65900	CAP SCREW-SOC.HD.	2			5217	0.02	0.044
130	75540-61460	CAP SCREW-SOC.HD.	2			5035	0.001	0.0022
140	75540-61330	PLATE-SEAL	6			5012	0.012	0.0264

CONTROL VALVE [COMPONENT PARTS]



7J040-011-10

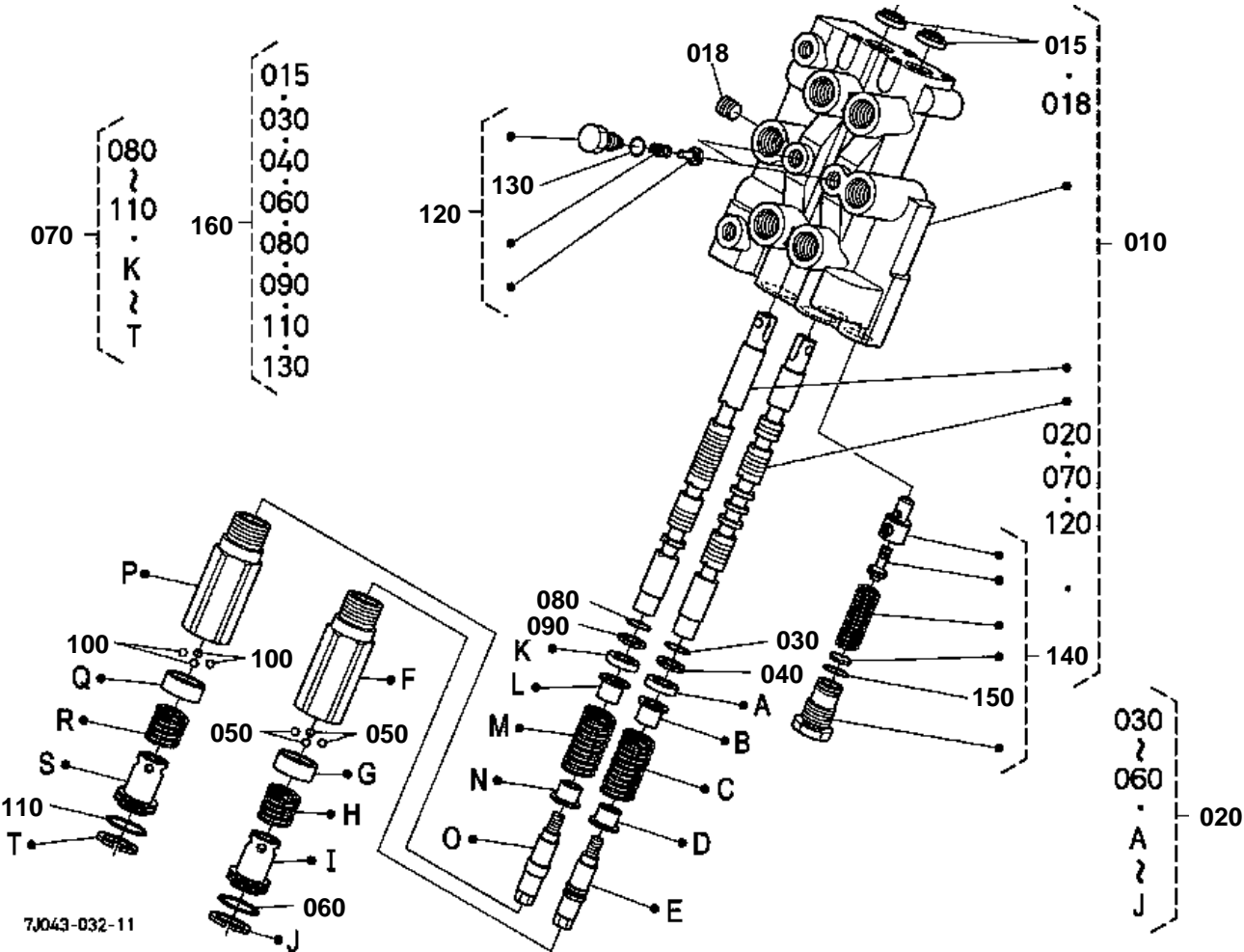


CONTROL VALVE [COMPONENT PARTS]
S.No.;<=29999 [4 POSITION VALVE TYPE]

↔ Interchangeable; ≠ not interchangeable; ← new for old; → old for new

REF.No	Part No.	Description	Q'ty	S.No.	I/C	REMARKS	Weight (kgf)	Weight (lb)
010	7J040-71010	VALVE CONTROL	1			B2079	12	26.4
020	75540-61450	CAP-SPOOL	2	<=20464		5028	0.032	0.0704
020	7J266-61450	CAP-SPOOL	2	>=20465	←	5028-6	0.2	0.44
030	75536-65400	KIT DETENT FLOAT	1			59221	0.21	0.462
040	75536-65100	KIT DETENT REGEN.	1			59222	0.23	0.506
050	7J040-61500	ASSY RELIEF VALVE	1				0.218	0.4796
060	75536-65700	CAP SCREW-SOC.HD.	2			3386	0.002	0.0044
070	75540-61410	CAP SCREW-SOC.HD.	2			3424	0.01	0.022
080	75536-65200	KIT LOAD CHECK	2			59238	0.03	0.066
090	75536-65300	KIT SEAL	1			59239	0.006	0.0132
100	75536-65500	KIT UPPER BOOM SPOOL	1			59223	0.102	0.2244
110	75536-65600	KIT UPPER BKT SPOOL	1			59224	0.025	0.055
120	75536-65900	CAP SCREW-SOC.HD.	4			5217	0.02	0.044
130	75540-61330	PLATE-SEAL	4			5012	0.012	0.0264

CONTROL VALVE [COMPONENT PARTS]



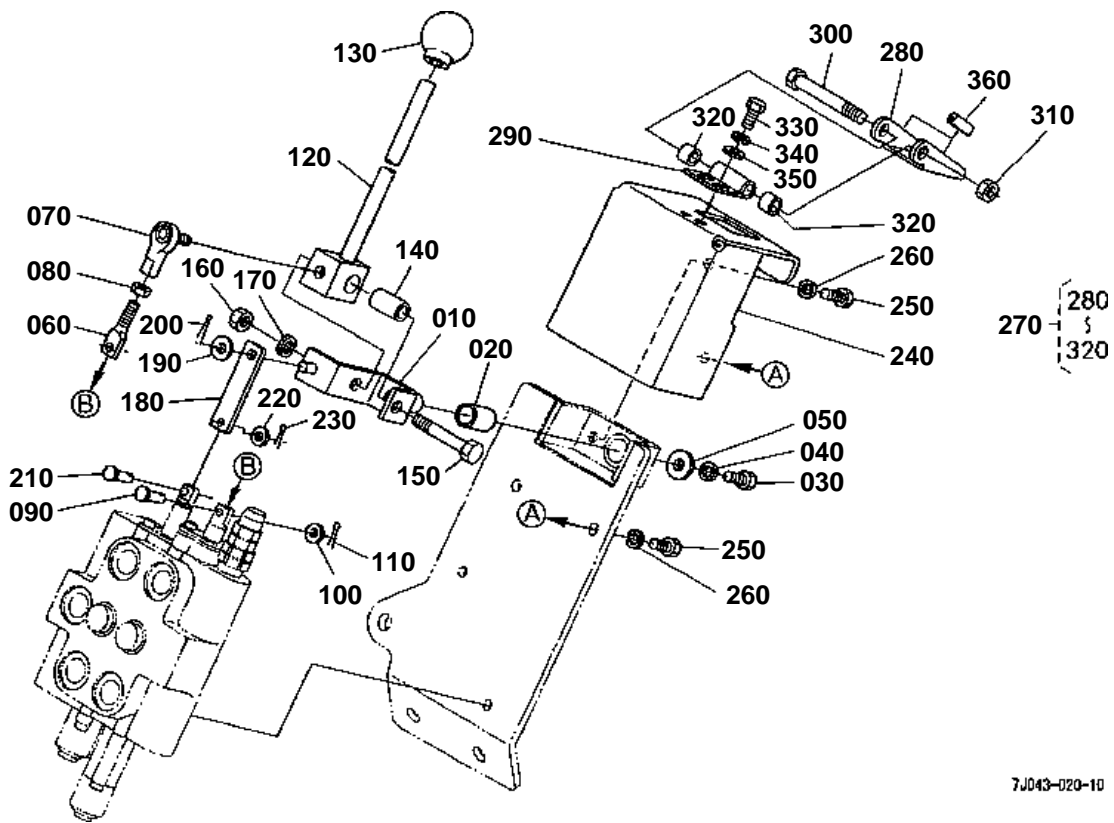


CONTROL VALVE [COMPONENT PARTS]
S.No.;>=50001 [4 POSITION VALVE TYPE]

↔ Interchangeable; ≠ not interchangeable; ← new for old; → old for new

REF.No	Part No.	Description	Q'ty	S.No.	I/C	REMARKS	Weight (kgf)	Weight (lb)
010	YW244-00100	ASSY VALVE CONTROL	1			B2079-1	6.7	14.74
015	YW077-00610	SEAL DUST	2				0.001	0.0022
018	YT232-00720	PLUG	1				0.007	0.0154
020	YW232-91100	KIT PLUG DETENT 1	1				0.43	0.946
030	04817-00140	O RING	1				0.001	0.0022
040	34076-66250	RING BACK UP	1				0.005	0.011
050	07715-01603	BALL	4				0.001	0.0022
060	04817-06250	O RING	1				0.001	0.0022
070	YW242-92100	KIT PLUG DETENT 2	1				0.43	0.946
080	04817-00140	O RING	1				0.001	0.0022
090	34076-66250	RING BACK UP	1				0.005	0.011
100	07715-01603	BALL	4				0.001	0.0022
110	04817-06250	O RING	1				0.001	0.0022
120	YW232-93100	KIT VALVE LOAD CHECK	2				0.04	0.088
130	04817-00100	O RING	2				0.001	0.0022
140	YW233-95100	KIT VALVE RELIEF	1				0	0
150	04817-05160	O RING	1				0.001	0.0022
160	YW242-94100	KIT SEAL	1				0.01	0.022

CONTROL LEVER



7J043-020-10

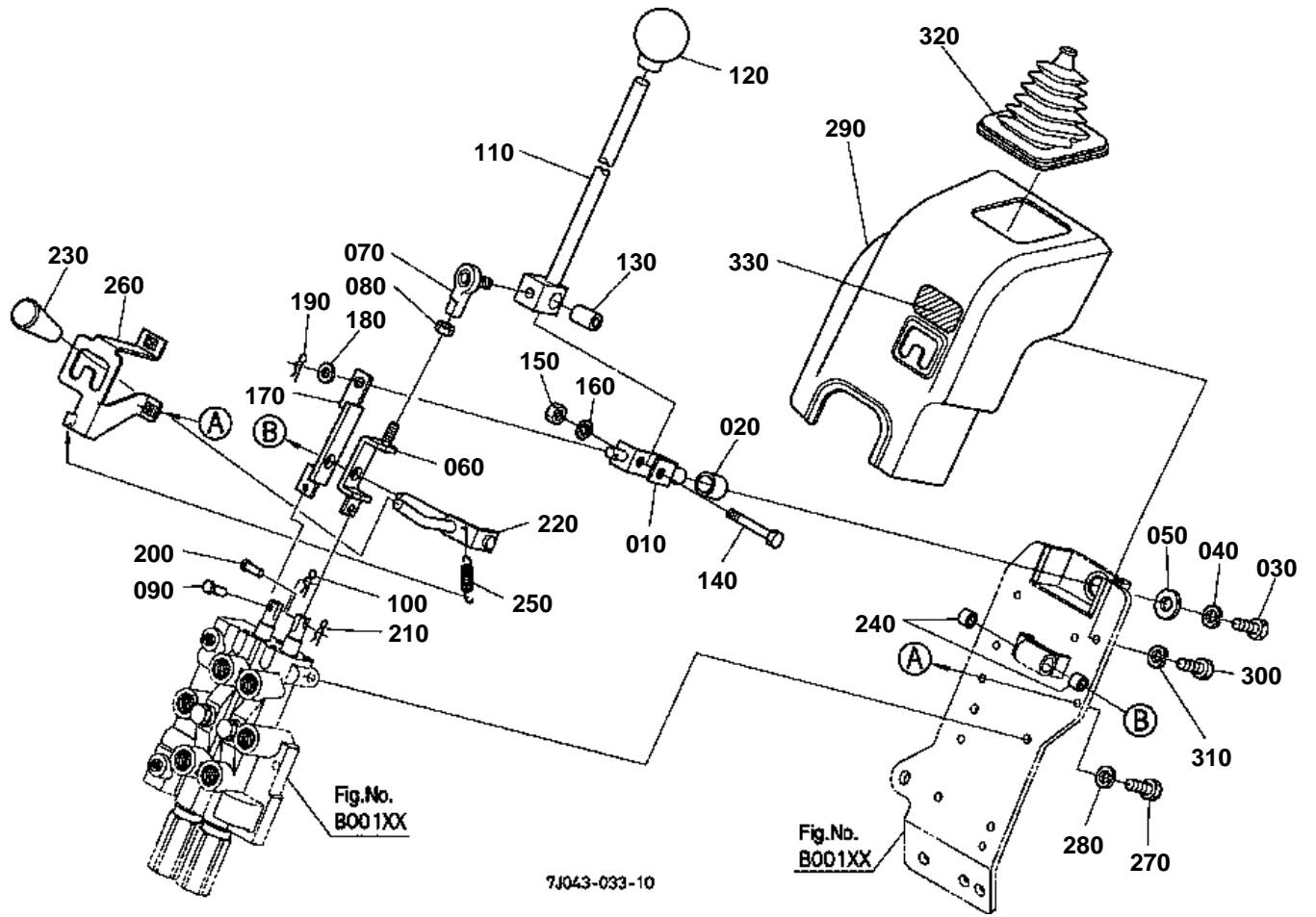


CONTROL LEVER
S.No.;<=29999

↔ Interchangeable; ≠ not interchangeable; ← new for old; → old for new

REF.No	Part No.	Description	Q'ty	S.No.	I/C	REMARKS	Weight (kgf)	Weight (lb)
010	7J240-62110	LEVER	1				0.2	0.44
020	K2561-42140	BUSHING DU	1				0.05	0.11
030	75599-01215	HEX.BOLT	1			5/16-18UNC*3/4	0.011	0.0242
040	75599-33012	WASHER SPRING	1			5/16	0.002	0.0044
050	75599-32112	WASHER PLAIN	1			5/16W	0.001	0.0022
060	75536-62160	ROD 1	1				0.002	0.0044
070	75532-62260	JOINT ROD END	1				0.05	0.11
080	75599-31022	NUT	1			5/16-24UNF	0.015	0.033
090	75540-62190	PIN	1				0.018	0.0396
100	75599-32009	WASHER PLAIN	1			3/16	0.001	0.0022
110	75599-53111	PIN COTTER	1			1/32*1/2	0.001	0.0022
120	7J040-62210	LEVER CONTROL	1				0.55	1.21
130	31355-82520	GRIP LEVER	1				0.05	0.11
140	75595-72150	SLEEVE	1				0.03	0.066
150	75599-04340	HEX.BOLT	1			3/8-24UNF*2	0.033	0.0726
160	75599-31023	NUT	1			3/8-24UNF	0.006	0.0132
170	75599-33013	WASHER SPRING	1			3/8	0.006	0.0132
180	7J240-62280	PLATE SPOOL 2	1				0.032	0.0704
190	75599-32012	WASHER PLAIN	1			5/16	0.002	0.0044
200	75599-53152	PIN COTTER	1			3/32*3/4	0.001	0.0022
210	75540-62190	PIN	1				0.018	0.0396
220	75599-32009	WASHER PLAIN	1			3/16	0.001	0.0022
230	75599-53111	PIN COTTER	1			1/32*1/2	0.001	0.0022
240	7J240-62310	COVER	1				0.9	1.98
250	75599-01215	HEX.BOLT	3			5/16-18UNC*3/4	0.011	0.0242
260	75599-33012	WASHER SPRING	3			5/16	0.002	0.0044
270	75548-62400	ASSY LIMITER	1				0.12	0.264
280	75540-62410	PLATE LIMITER	1				0.05	0.11
290	75548-62420	HINGE	1				0.026	0.0572
300	75599-01255	HEX.BOLT	1			5/16-18UNC*2-3/4	0.034	0.0748
310	75599-31912	NUT LOCKING	1			5/16-18UNC	0.006	0.0132
320	75548-62440	CUSHION RUBBER	2				0.003	0.0066
330	75599-01212	HEX.BOLT	2			5/16-18UNC*5/8	0.012	0.0264
340	75599-33012	WASHER SPRING	2			5/16	0.002	0.0044
350	75599-32012	WASHER PLAIN	2			5/16	0.002	0.0044
360	75540-62450	CUSHION 1 RUBBER	2				0.001	0.0022

CONTROL LEVER

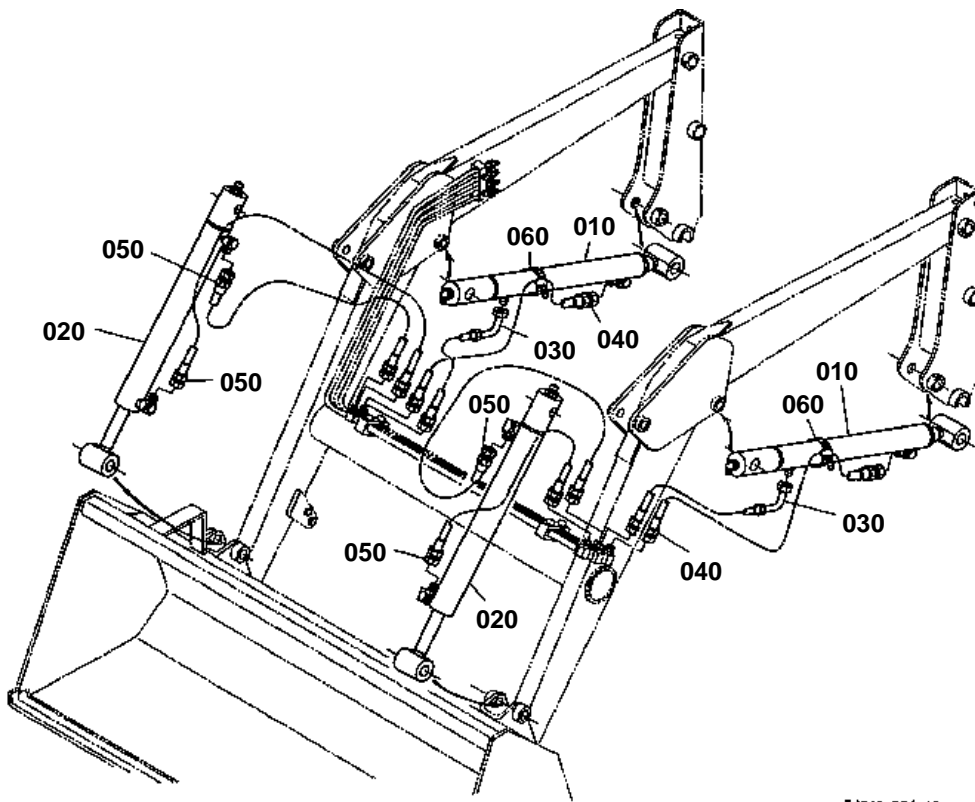




CONTROL LEVER
S.No.;>=50001

↔ Interchangeable; ≠ not interchangeable; ← new for old; → old for new

REF.No	Part No.	Description	Q'ty	S.No.	I/C	REMARKS	Weight (kgf)	Weight (lb)
010	7J266-62115	LEVER	1				0.18	0.396
020	08511-01625	BUSH	1				0.01	0.022
030	01053-50818	BOLT	1				0.011	0.0242
040	04512-60080	WASHER SPRING	1				0.002	0.0044
050	04015-60080	WASHER PLAIN	1				0.01	0.022
060	7J266-62163	LEVER 1 LOCK	1				0.14	0.308
070	75532-62260	JOINT ROD END	1				0.05	0.11
080	75599-31022	NUT	1			5/16-24UNF	0.015	0.033
090	75540-62190	PIN	1				0.018	0.0396
100	05525-60500	PIN SNAP	1				0.001	0.0022
110	7J045-62210	LEVER CONTROL	1				0	0
120	31355-82520	GRIP LEVER	1				0.05	0.11
130	7J266-72150	SLEEVE	1				0.001	0.0022
140	01073-51050	BOLT	1				0.038	0.0836
150	02018-50100	NUT	1				0.011	0.0242
160	04512-60100	WASHER SPRING	1				0.002	0.0044
170	7J266-62283	LEVER 2 LOCK	1				0.11	0.242
180	04013-60100	WASHER PLAIN	1				0.003	0.0066
190	05525-61000	PIN SNAP	1				0.002	0.0044
200	75540-62190	PIN	1				0.018	0.0396
210	05525-60500	PIN SNAP	1				0.001	0.0022
220	7J266-62414	LEVER LOCK	1				0.16	0.352
230	06914-00100	GRIP LEVER	1				0.02	0.044
240	08511-01210	BUSH	2				0.005	0.011
250	7J266-62813	SPRING LOCK	1				0.1	0.22
260	7J266-62510	GUIDE LEVER	1				0.2	0.44
270	01053-50616	BOLT	2				0.005	0.011
280	04512-60060	WASHER SPRING	2				0.001	0.0022
290	7J266-62315	COVER	1				0.01	0.022
300	01053-50616	BOLT	3				0.005	0.011
310	04512-60060	WASHER SPRING	3				0.001	0.0022
320	7J266-62710	BOOT CONTROL LEVER	1				0.01	0.022
330	7J266-62910	LABEL C/V LOCK	1				0.001	0.0022



7J043-004-10

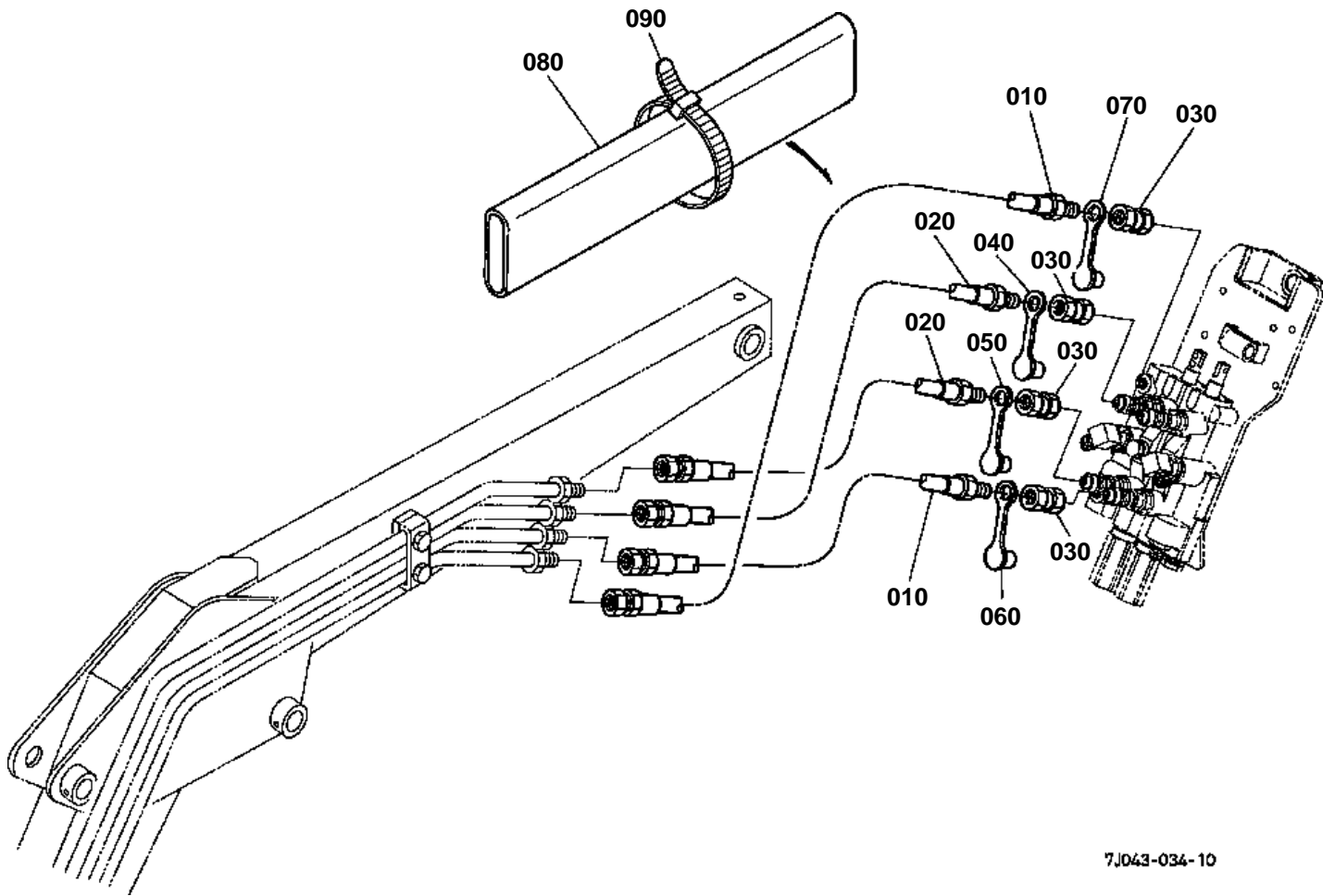


CYLINDER/HYDRAULIC HOSE

↔ Interchangeable; ≠ not interchangeable; ← new for old; → old for new

REF.No	Part No.	Description	Q'ty	S.No.	I/C	REMARKS	Weight (kgf)	Weight (lb)
010	7J040-63010	CYLINDER 1	2				10	22
020	75535-64110	CYLINDER 2	2				7.6	16.72
030	75535-66610	HOSE 8 HYDRAULIC	2				0.34	0.748
040	75535-66620	HOSE 9 HYDRAULIC	2				0.42	0.924
050	75535-66630	HOSE 10 HYDRAULIC	4				0.26	0.572
060	75590-64650	BAND CODE	2				0.01	0.022

HYDRAULIC HOSE(HYD.OUTLET BLOCK)



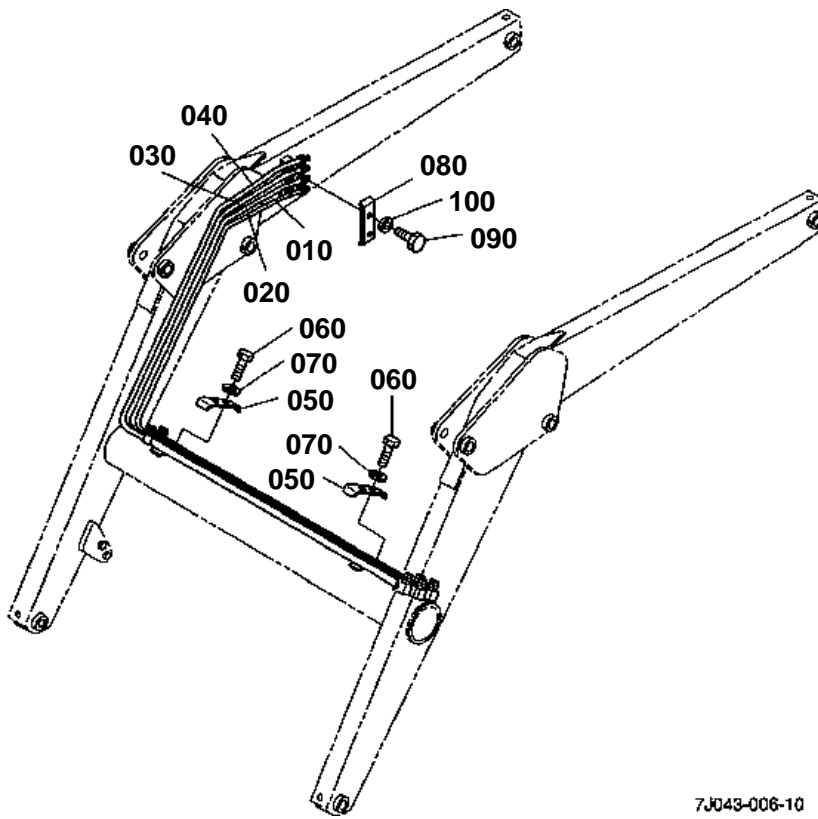
7J043-034-10



HYDRAULIC HOSE(HYD.OUTLET BLOCK)

↔ Interchangeable; ≠ not interchangeable; ← new for old; → old for new

REF.No	Part No.	Description	Q'ty	S.No.	I/C	REMARKS	Weight (kgf)	Weight (lb)
010	7J040-66110	HOSE 1 HYDRAULIC	2				0.36	0.792
020	7J040-66210	HOSE 2 HYDRAULIC	2				0.37	0.814
030	75536-66320	COUPLER	4				0.13	0.286
040	75536-66330	PLUG DUST(72PDP-4)	1	≤15916			0.011	0.0242
040	7J245-66310	1/4PLUG DUST	1	≥15917	←	(BLUE)	0.014	0.0308
050	75536-66330	PLUG DUST(72PDP-4)	1	≤15916			0.011	0.0242
050	7J245-66320	1/4PLUG DUST	1	≥15917	←	(YELLOW)	0.018	0.0396
060	75536-66330	PLUG DUST(72PDP-4)	1	≤15916			0.011	0.0242
060	7J245-66330	1/4PLUG DUST	1	≥15917	←	(RED)	0.09	0.198
070	75536-66330	PLUG DUST(72PDP-4)	1	≤15916			0.011	0.0242
070	7J245-66340	1/4PLUG DUST	1	≥15917	←	(WHITE)	0.01	0.022
080	75536-66140	SLEEVE	1				0.112	0.2464
090	75590-64650	BAND CODE	1				0.01	0.022



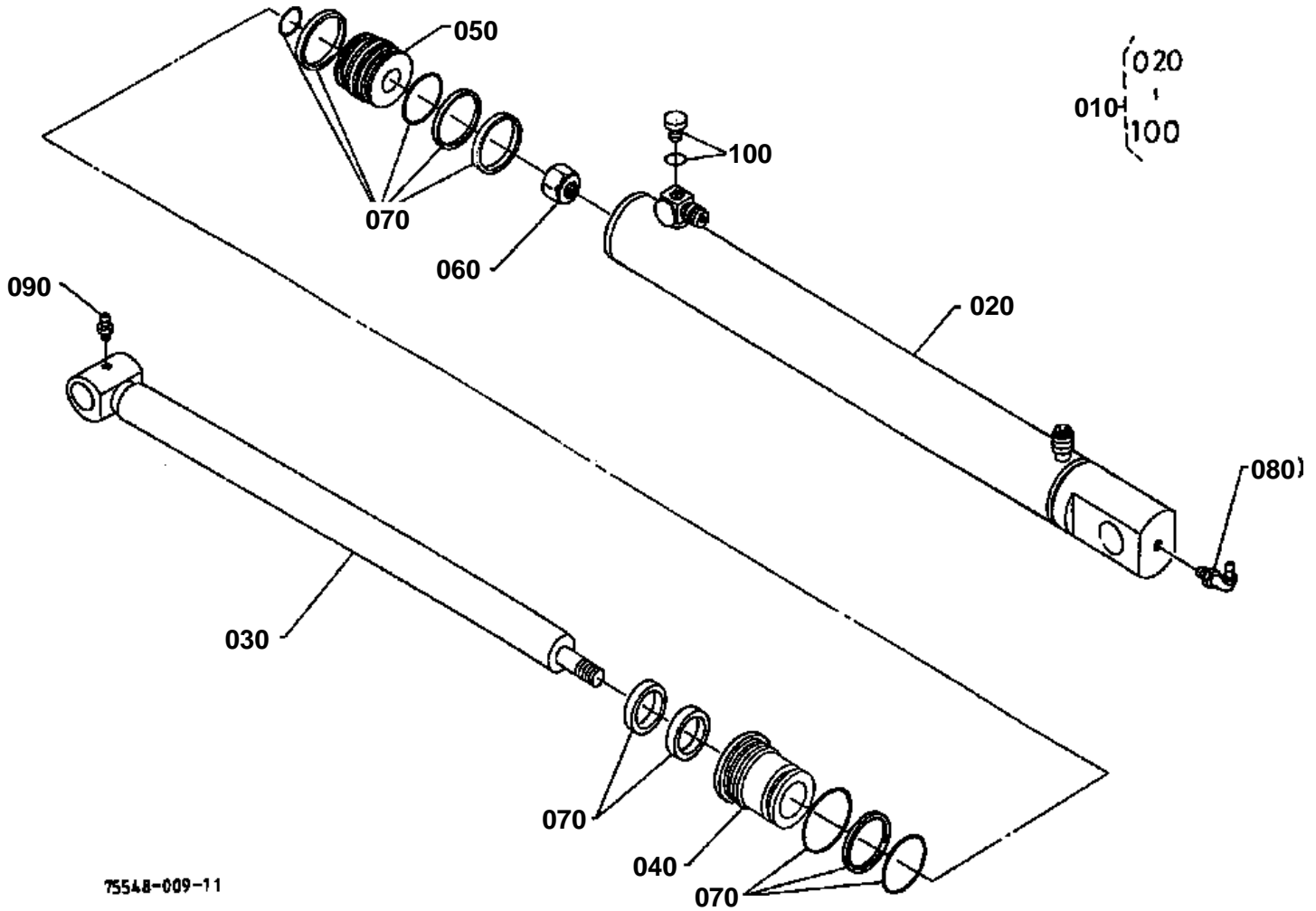


HYDRAULIC TUBE

↔ Interchangeable; ≠ not interchangeable; ← new for old; → old for new

REF.No	Part No.	Description	Q'ty	S.No.	I/C	REMARKS	Weight (kgf)	Weight (lb)
010	7J045-65110	TUBE 1 HYDRAULIC	1				0.75	1.65
020	7J045-65210	TUBE 2 HYDRAULIC	1				0.75	1.65
030	7J045-65310	TUBE 3 HYDRAULIC	1				0.76	1.672
040	7J045-65410	TUBE 4 HYDRAULIC	1				0.8	1.76
050	75540-65510	CLAMP 1	2				0.1	0.22
060	75599-01225	HEX.BOLT	4				0.015	0.033
070	75599-33012	WASHER SPRING	4			5/16	0.002	0.0044
080	75540-65530	CLAMP 2	1				0.16	0.352
090	75599-01220	HEX.BOLT	2			5/16-18UNC*1	0.012	0.0264
100	75599-33012	WASHER SPRING	2			5/16	0.002	0.0044

CYLINDER (BOOM)[COMPONENT PARTS]

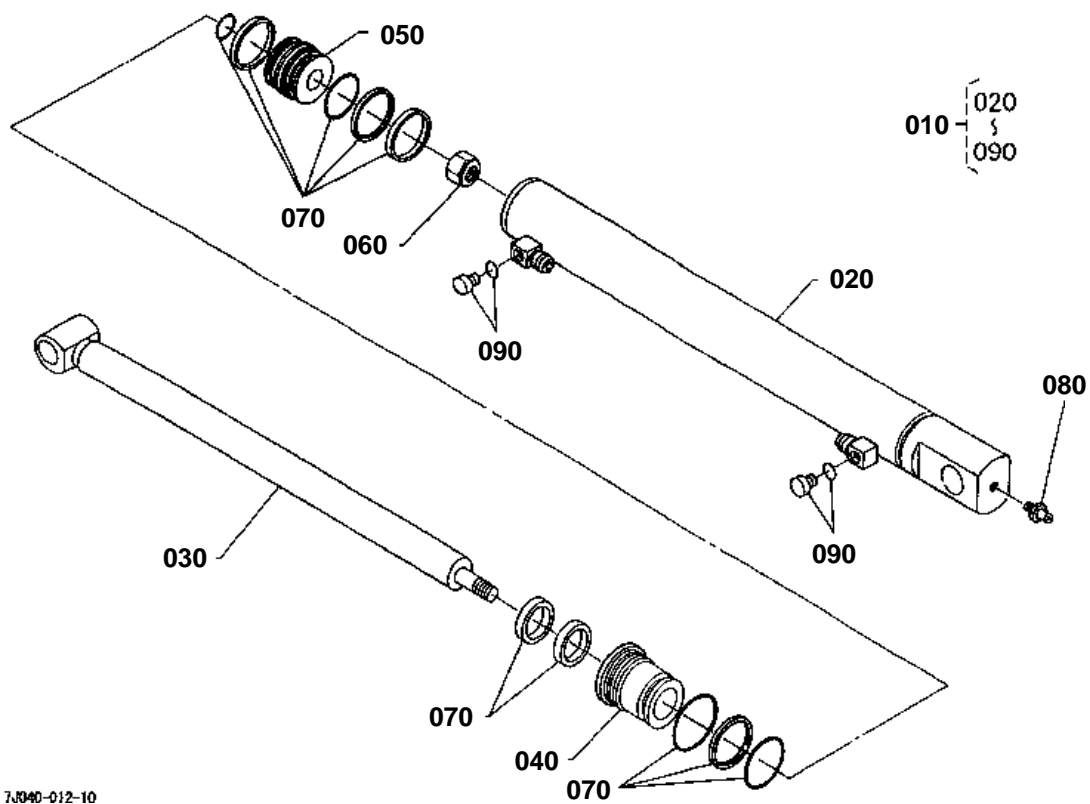


**CYLINDER (BOOM)[COMPONENT PARTS]**

↔ Interchangeable; ≠ not interchangeable; ← new for old; → old for new

REF.No	Part No.	Description	Q'ty	S.No.	I/C	REMARKS	Weight (kgf)	Weight (lb)
010	7J040-63010	CYLINDER 1	2				10	22
020	7J040-63100	TUBE 1 COMP.	2				5.12	11.264
030	7J040-63200	ROD 1 COMP.	2				4.8	10.56
040	75545-63410	HEAD 1	2				0.41	0.902
050	75545-63430	PISTON 2	2				0.22	0.484
060	75545-64460	NUT	2			5/8-18UNFP	0.003	0.0066
070	75545-63600	KIT 1 SEAL	2				0.022	0.0484
080	75532-63470	FITTING GREASE	2			90DEG.	0.01	0.022
090	75599-81531	FITTING GREASE	2			1/8-27NPTF	0.007	0.0154
100	75540-63490	PLUG	2				0.001	0.0022

CYLINDER (BUCKET)[COMPONENT PARTS]



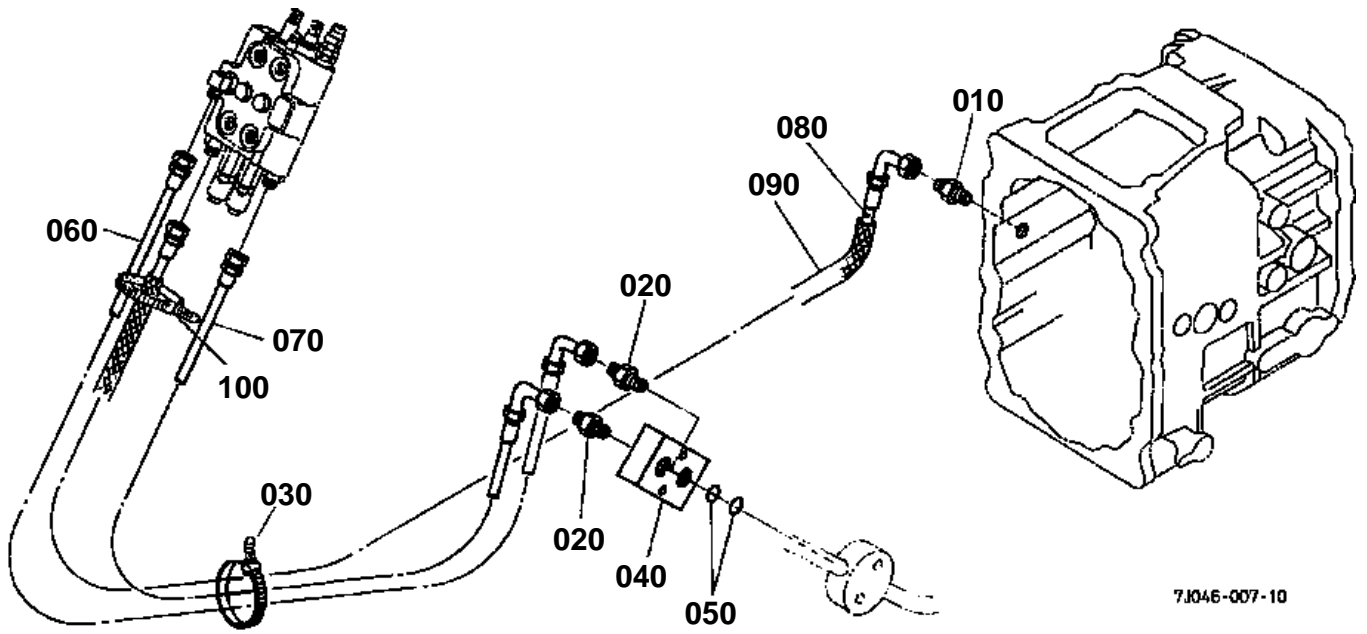
7J040-012-10

**CYLINDER (BUCKET)[COMPONENT PARTS]**

↔ Interchangeable; ≠ not interchangeable; ← new for old; → old for new

REF.No	Part No.	Description	Q'ty	S.No.	I/C	REMARKS	Weight (kgf)	Weight (lb)
010	75535-64110	CYLINDER 2	2				7.6	16.72
020	75535-64300	TUBE 2 COMP.	2				4.5	9.9
030	75545-64500	ROD 2 COMP.	2				0.031	0.0682
040	75545-64410	HEAD 2	2				0.22	0.484
050	75545-63430	PISTON 2	2				0.22	0.484
060	75545-64460	NUT	2			5/8-18UNFP	0.003	0.0066
070	75545-64600	KIT 2 SEAL	2				0.02	0.044
080	75599-81531	FITTING GREASE	2			1/8-27NPTF	0.007	0.0154
090	75540-63490	PLUG	4				0.001	0.0022

HYDRAULIC BLOCK



7.1046-007-10

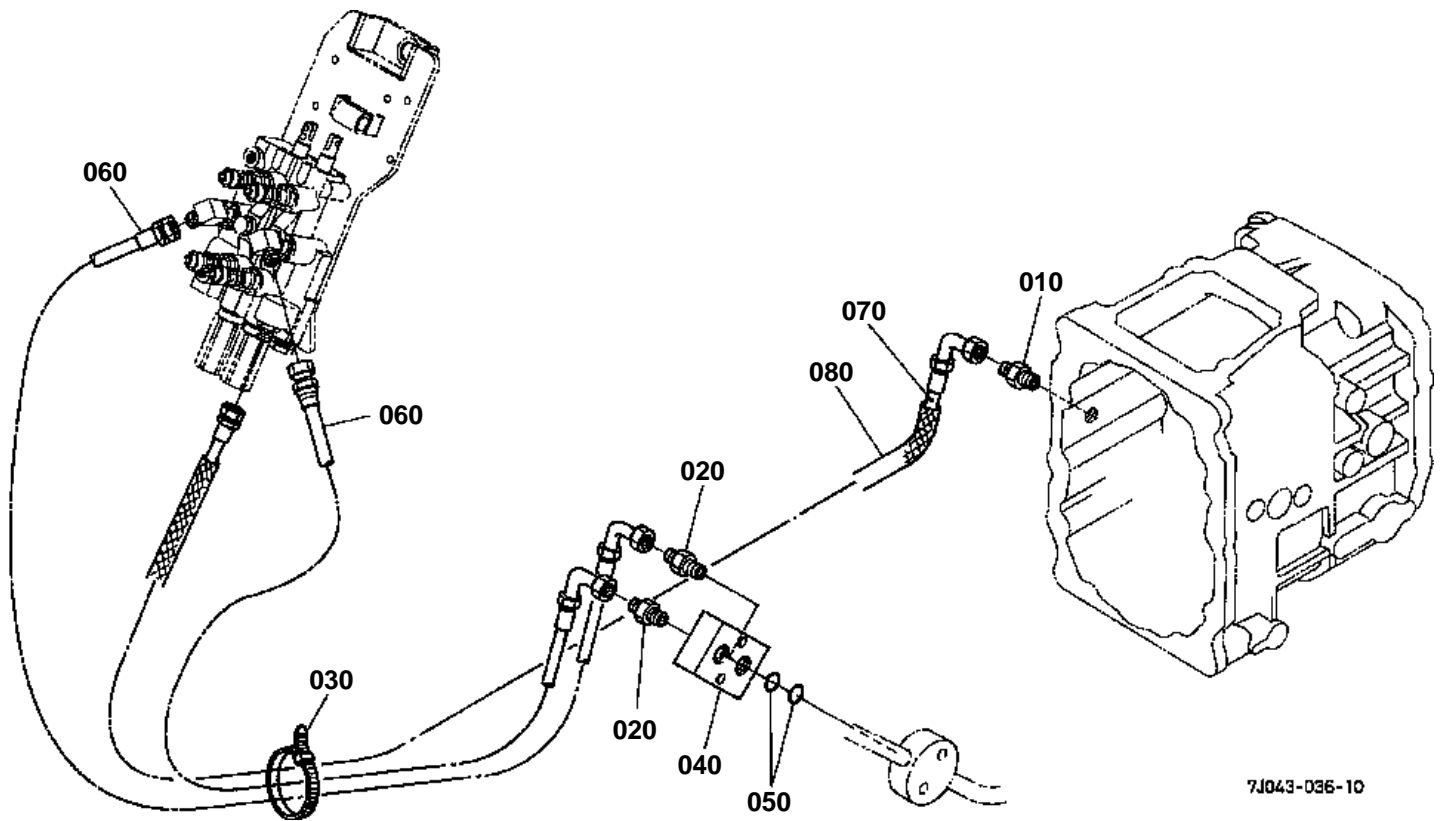


HYDRAULIC BLOCK
S.No.;<=29999

↔ Interchangeable; ≠ not interchangeable; ← new for old; → old for new

REF.No	Part No.	Description	Q'ty	S.No.	I/C	REMARKS	Weight (kgf)	Weight (lb)
010	75582-66810	ADAPTER 1	1				0.05	0.11
020	75536-66810	ADAPTER 1	2				0.04	0.088
030	75590-64650	BAND CODE	2				0.01	0.022
040	75536-68110	BLOCK HYDRAULIC	1				0.3	0.66
050	75536-68130	O-RING	2				0.001	0.0022
060	75536-66310	HOSE 5 HYDRAULIC	1				0.4	0.88
070	75536-66410	HOSE 6 HYDRAULIC	1				0.37	0.814
080	7J040-66510	HOSE 7 HYDRAULIC	1				0.62	1.364
090	7J040-66570	SLEEVE RETURN	1				0.11	0.242
100	75590-64650	BAND CODE	1				0.01	0.022

HYDRAULIC BLOCK



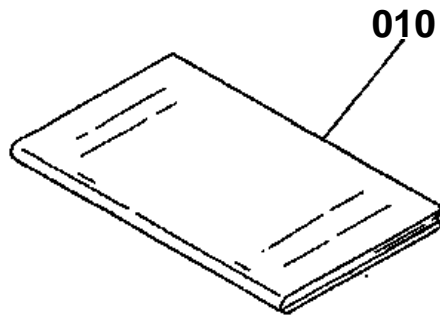
7J043-036-10



HYDRAULIC BLOCK
S.No.;>=50001

↔ Interchangeable; ≠ not interchangeable; ← new for old; → old for new

REF.No	Part No.	Description	Q'ty	S.No.	I/C	REMARKS	Weight (kgf)	Weight (lb)
010	75582-66810	ADAPTER 1	1				0.05	0.11
020	75536-66810	ADAPTER 1	2				0.04	0.088
030	75590-64650	BAND CODE	2				0.01	0.022
040	75536-68110	BLOCK HYDRAULIC	1				0.3	0.66
050	75536-68130	O-RING	2				0.001	0.0022
060	75536-66310	HOSE 5 HYDRAULIC	2				0.4	0.88
070	7J040-66510	HOSE 7 HYDRAULIC	1				0.62	1.364
080	7J040-66570	SLEEVE RETURN	1				0.11	0.242



1G606-002-10

**ACCESSORIES AND SERVICE PARTS**

↔ Interchangeable; ≠ not interchangeable; ← new for old; → old for new

REF.No	Part No.	Description	Q'ty	S.No.	I/C	REMARKS	Weight (kgf)	Weight (lb)
010	7J043-69110	OPERATOR'S MANUAL	1	<=17872		ENGLISH	0	0
010	7J043-69113	OPERATOR'S MANUAL	1	>=17873	←	ENGLISH	0.102	0.2244
010	7J043-69120	OPERATOR'S MANUAL	1	>=50001	≠	ENGLISH	0	0
010	7J043-65910	OPERATOR'S MANUAL(F)	1	<=19215		FRENCH	0	0
010	7J043-65912	OPERATOR'S MANUAL(F)	1	>=19216	←	FRENCH	0.01	0.022
010	7J043-65920	OPERATOR'S MANUAL(F)	1	>=50001	≠	FRENCH	0	0