

Instructions for Parts Books

The heading at the top of the page will be the same for the picture of the parts as it is for the page with the part numbers.

Definition of column headings on part number pages:

REF.No → The number referring to the part on the picture page of the parts book.

Part No. → The number assigned to this part at the time of printing the parts book.

Description → Description of part.

Q'ty → Quantity of part used on that page.

S.No. → Serial number range of the equipment that this part will fit.

>= Your serial number should be greater than or equal to the number shown.

<= Your serial number should be lesser than or equal to the serial number shown.

I/C → Interchangeability of part shown.

↔ The part shown will work for the older and later serial number.

The part shown is not interchangeable with the other serial number.

← new for old

→ old for new

Remarks → Notes about this particular part. Sometimes this may say except [FR] or [CA]

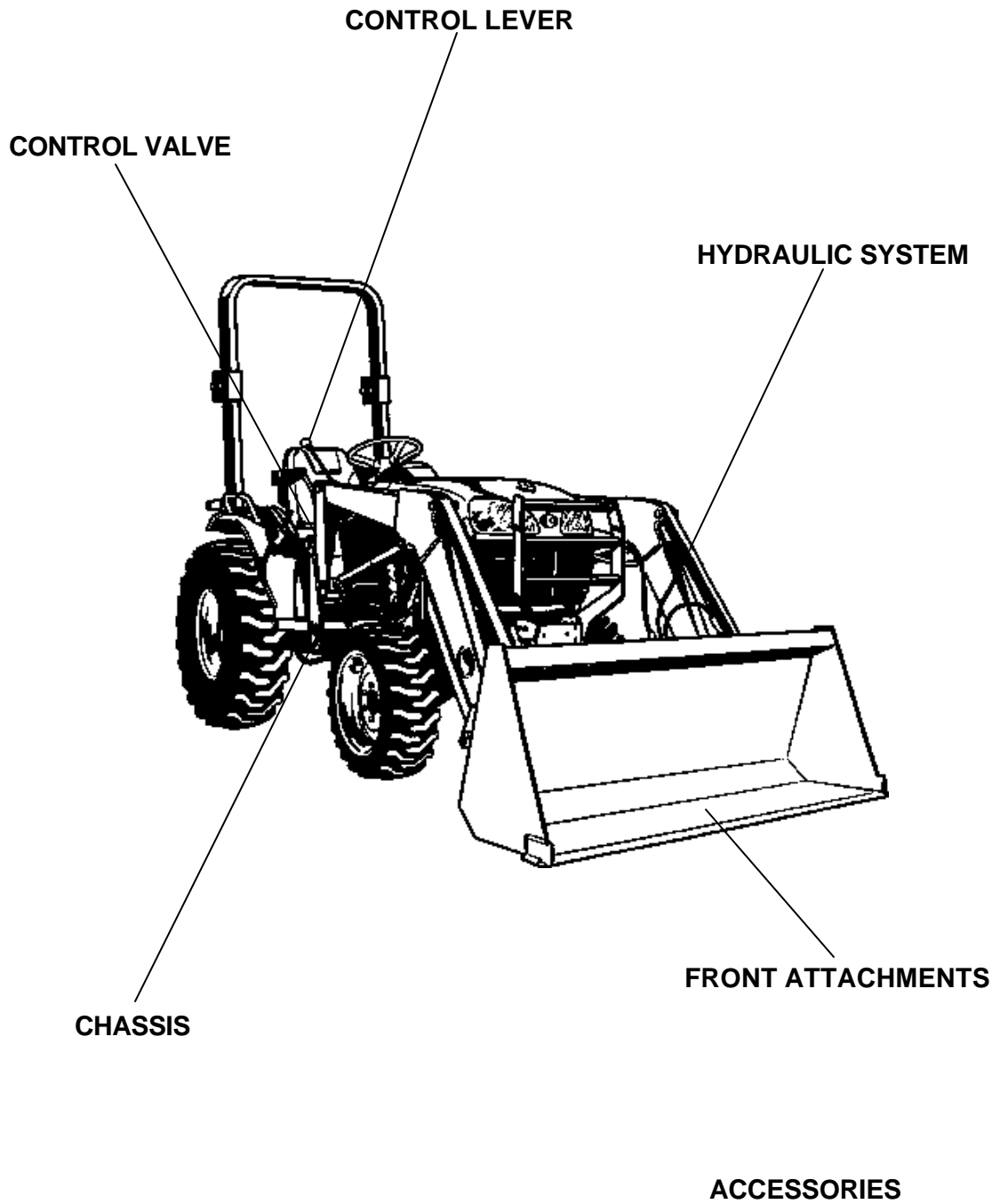
Note about Country Codes:

The parts books we use in the United States of America may also contain information about a part that would be different in another country. It is important that you are aware of the country codes in some instances.

Symbol	Country
A	United States of America
CA	Canada
FR	France
GR	Greece
PO	Portugal
AU	Australia

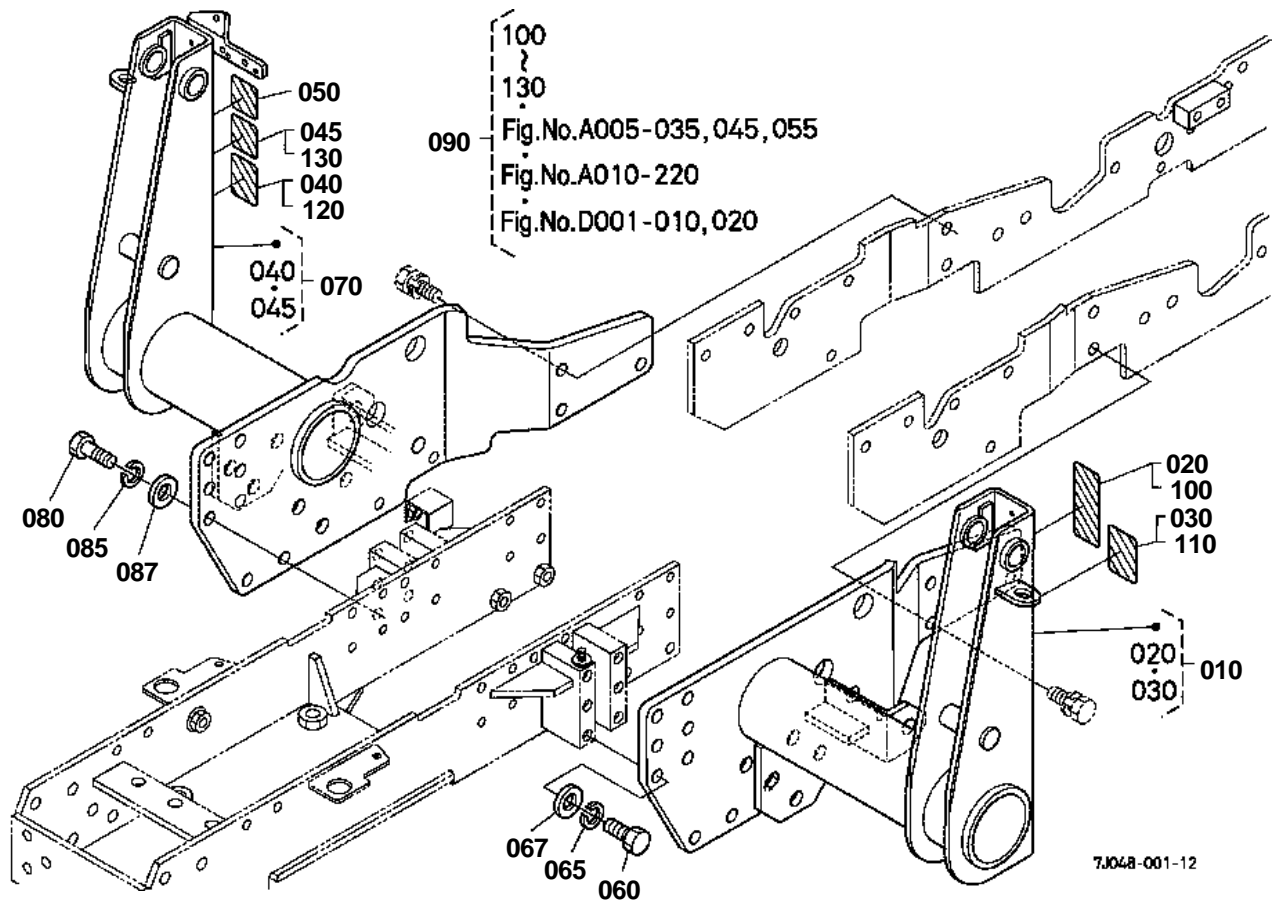
If the remarks column says for example EXCEPT [FR] this part works in all countries except France. That means it will work here in the USA.

ALL PRODUCT INDEX
LA403



Item	Part No.	Description	Book
CHASSIS	01A001	MAIN FRAME	100A0273
	01A005	SIDE FRAME	100A0273
FRONT ATTACHMENTS	01A010	BOOM	100A0273
CONTROL VALVE	01B00101	CONTROL VALVE	100A0273
	01B00102	CONTROL VALVE [R/V]	100A0273
	01B005	CONTROL VALVE [COMPONENT PARTS]	100A0273
CONTROL LEVER	01B01301	CONTROL LEVER	100A0273
	01B01302	CONTROL LEVER [R/V]	100A0273
HYDRAULIC SYSTEM	01B015	CYLINDER/HYDRAULIC HOSE	100A0273
	01B016	HYDRAULIC HOSE(HYD.OUTLET BLOCK)	100A0273
	01B020	HYDRAULIC TUBE	100A0273
	01B025	CYLINDER (BOOM)[COMPONENT PARTS]	100A0273
	01B030	CYLINDER (BUCKET)[COMPONENT PARTS]	100A0273
	01B03501	HYDRAULIC BLOCK	100A0273
	01B03502	HYDRAULIC BLOCK	100A0273
ACCESSORIES	01D001	ACCESSORIES AND SERVICE PARTS	100A0273

MAIN FRAME

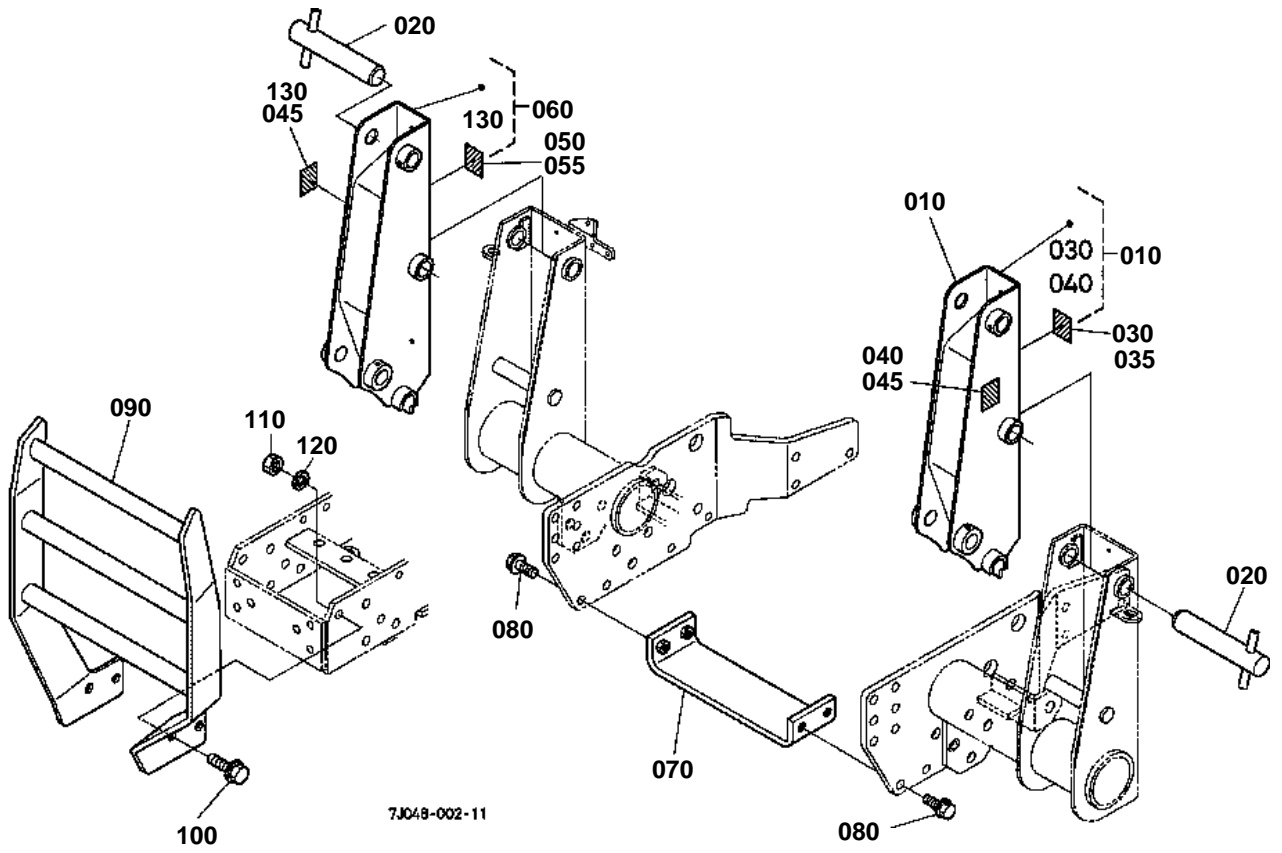


**MAIN FRAME**

↔ Interchangeable; ≠ not interchangeable; ← new for old; → old for new

REF.No	Part No.	Description	Q'ty	S.No.	I/C	REMARKS	Weight (kgf)	Weight (lb)
010	7J048-90110	FRAME MAIN LH(LABEL)	1			ENGLISH	0	0
020	7J246-56410	LABEL DANGER 1	1			ENGLISH	0.002	0.0044
030	7J246-56420	LABEL DANGER 2	1			ENGLISH	0.001	0.0022
040	7J246-56450	LABEL CAUTION 1	1			ENGLISH	0.002	0.0044
045	7J266-56490	LABEL CAUTION 4	1			ENGLISH	0.001	0.0022
050	7J266-62360	LABEL CONTROL	1				0.002	0.0044
060	01073-51650	BOLT	6				0.105	0.231
065	04512-60160	WASHER SPRING	6				0.01	0.022
067	75599-32517	WASHER PLAIN	6			5/8HD	0.016	0.0352
070	7J048-90120	FRAME MAIN RH(LABEL)	1			ENGLISH	0	0
080	01073-51650	BOLT	6				0.105	0.231
085	04512-60160	WASHER SPRING	6				0.01	0.022
087	75599-32517	WASHER PLAIN	6			5/8HD	0.016	0.0352
090	7J048-95500	KIT FRENCH LA403	1			FRENCH	0	0
100	75546-99613	LABEL DANGER 1(F)	1			FRENCH	0.001	0.0022
110	75567-99622	LABEL DANGER(F)	1			FRENCH	0.003	0.0066
120	75546-99654	LABEL CAUTION(F)	1			FRENCH	0.003	0.0066
130	7J266-99682	LABEL CAUTION 4(F)	1			FRENCH	0.001	0.0022

SIDE FRAME

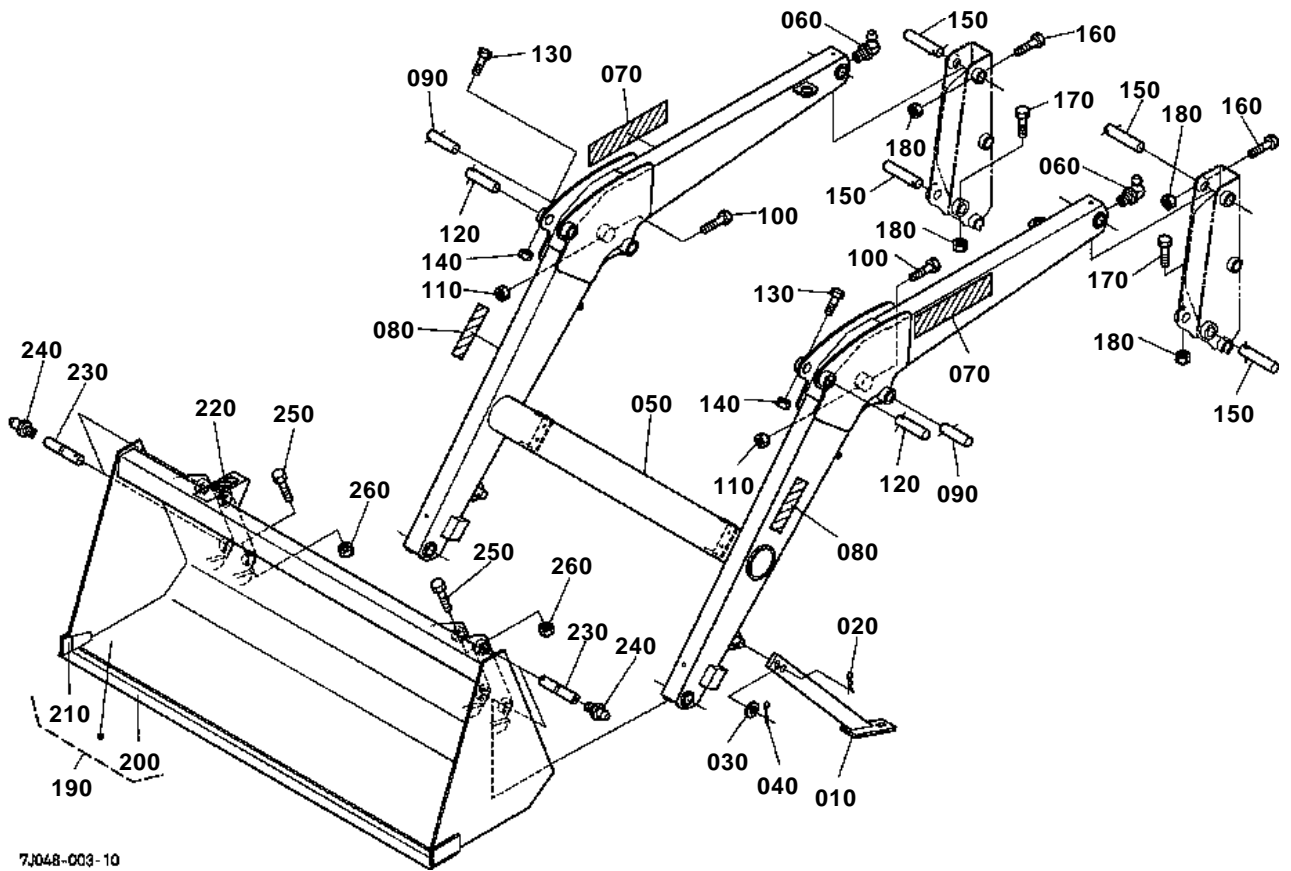


**SIDE FRAME**

↔ Interchangeable; ≠ not interchangeable; ← new for old; → old for new

REF.No	Part No.	Description	Q'ty	S.No.	I/C	REMARKS	Weight (kgf)	Weight (lb)
010	7J048-90130	FRAME SIDE LH(LABEL)	1			ENGLISH	0	0
020	7J245-56810	PIN SPRING	2				0.8	1.76
030	7J246-56430	LABEL DANGER 3	1			ENGLISH	0.002	0.0044
035	75546-99632	LABEL DANGER 3(F)	1			FRENCH	0.01	0.022
040	7J246-56442	LABEL WARNING 1	1			ENGLISH	0.01	0.022
045	75546-99642	LABEL WARNING 1(F)	2			FRENCH	0.001	0.0022
050	75580-56370	LABEL LUBRICATE	1			ENGLISH	0.001	0.0022
055	75580-95550	LABEL LUBRICATE FREN	1			FRENCH	0.001	0.0022
060	7J048-90140	FRAME SIDE RH(LABEL)	1			ENGLISH	0	0
070	7J048-55910	CONNECTOR	1				0	0
080	01774-51440	BOLT FLANGE	4				0.074	0.1628
090	7J048-57810	GUARD FRONT	1				0	0
100	01774-51440	BOLT FLANGE	4				0.074	0.1628
110	02174-50140	NUT	4				0.014	0.0308
120	04512-60140	WASHER SPRING	4				0.008	0.0176
130	7J246-56442	LABEL WARNING 1	1			ENGLISH	0.01	0.022

BOOM



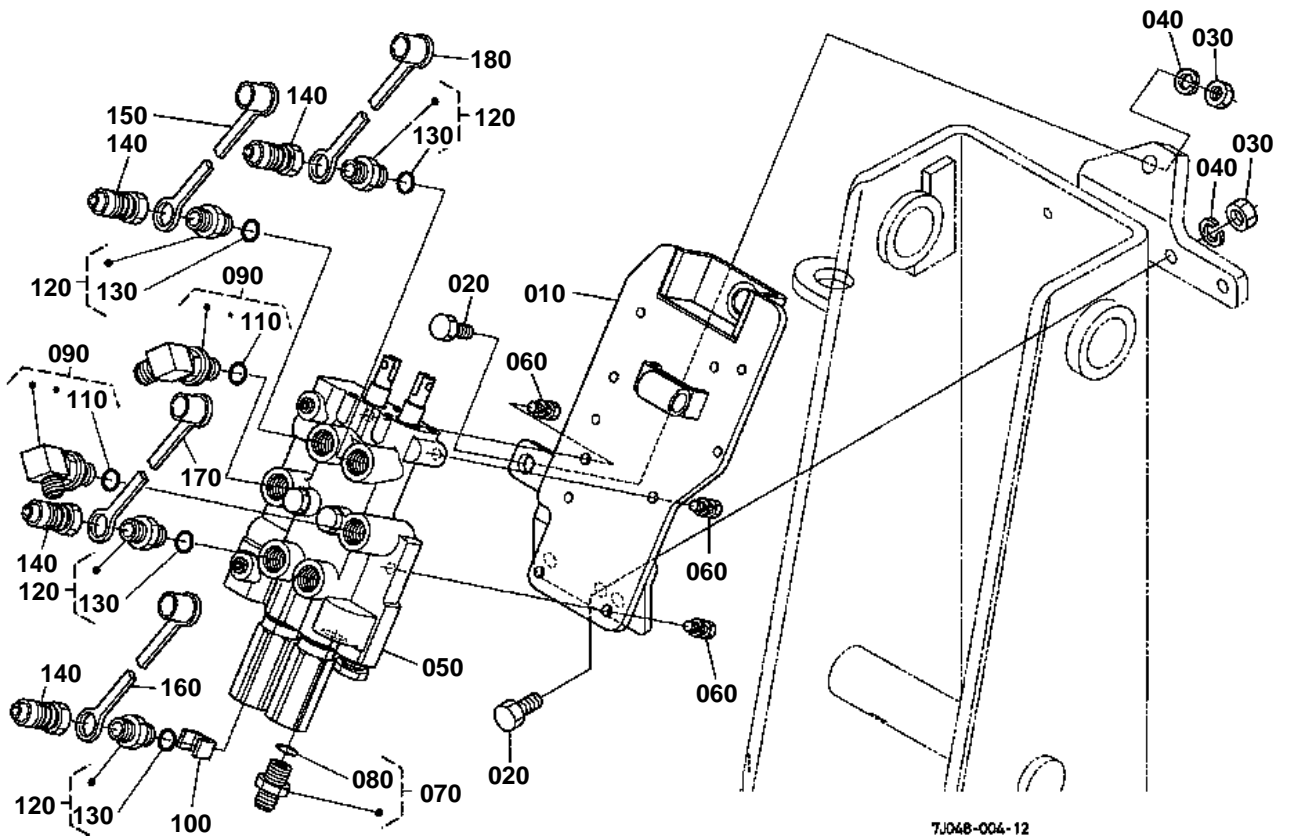
7,048-003-10

**BOOM**

↔ Interchangeable; ≠ not interchangeable; ← new for old; → old for new

REF.No	Part No.	Description	Q'ty	S.No.	I/C	REMARKS	Weight (kgf)	Weight (lb)
010	7J048-57552	STAND	2				0	0
020	75599-56006	HAIRPIN COTTER	2				0.01	0.022
030	04013-60160	WASHER PLAIN	2				0.01	0.022
040	75599-53183	PIN COTTER	2			9/64*1	0.003	0.0066
050	7J048-58015	BOOM	1				0	0
060	75532-63470	FITTING GREASE	2				0.01	0.022
070	K2571-65120	LABEL KUBOTA	2				0.005	0.011
080	7J048-58460	LABEL LA403	2				0	0
090	7J048-58510	PIN 1	2				0	0
100	7J266-58980	HEX.BOLT	2			M6*1.00*55	0.02	0.044
110	02552-50060	NUT LOCK	2				0.002	0.0044
120	7J048-58610	PIN 2	2				0	0
130	7J266-58980	HEX.BOLT	2			M6*1.00*55	0.02	0.044
140	02552-50060	NUT LOCK	2				0.002	0.0044
150	7J048-58740	PIN 4	4				0	0
160	7J266-58980	HEX.BOLT	2			M6*1.00*55	0.02	0.044
170	7J266-58980	HEX.BOLT	2			M6*1.00*55	0.02	0.044
180	02552-50060	NUT LOCK	4				0.002	0.0044
190	7J048-59010	BUCKET 54	1				0	0
200	7J048-59320	EDGE 1 CUTTING	1				0	0
210	7J266-59332	EDGE 2 CUTTING	2				0.46	1.012
220	75540-59450	LABEL LEVELER	1				0.001	0.0022
220	75553-99630	LABEL LEVELER FRENCH	1			FRENCH	0.005	0.011
230	7J048-58710	PIN 3	4				0	0
240	75599-81520	FITTING GREASE	4			1/4-28T.T.	0.003	0.0066
250	7J266-58980	HEX.BOLT	4			M6*1.00*55	0.02	0.044
260	02552-50060	NUT LOCK	4				0.002	0.0044

CONTROL VALVE



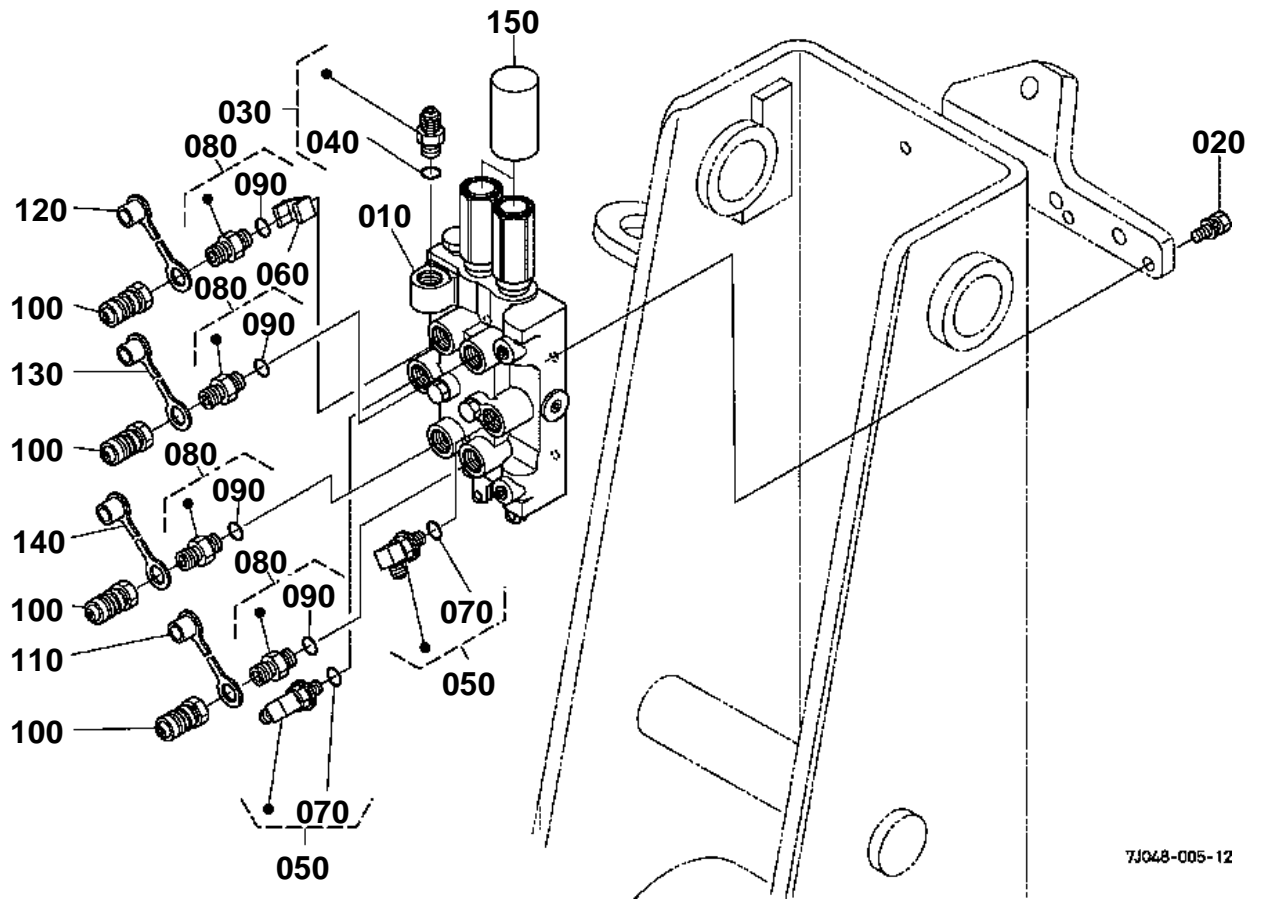


CONTROL VALVE

↔ Interchangeable; ≠ not interchangeable; ← new for old; → old for new

REF.No	Part No.	Description	Q'ty	S.No.	I/C	REMARKS	Weight (kgf)	Weight (lb)
010	7J265-61110	STAY VALVE	1				0	0
020	01173-51230	BOLT	3				0.037	0.0814
030	02174-50120	NUT	3				0.01	0.022
040	04512-60120	WASHER SPRING	3				0.005	0.011
050	YW248-00100	ASSY VALVE CONTROL	1				0	0
060	01123-50820	BOLT	3				0.011	0.0242
070	75540-61800	ASSY ADAPTER 1	1				0.06	0.132
080	75540-61820	O-RING	1				0.001	0.0022
090	75540-61900	ASSY ELBOW ADJUSTABL	2				0.11	0.242
100	75546-61860	THROTTLE	1				0.009	0.0198
110	75540-61820	O-RING	2				0.001	0.0022
120	75532-61800	ASSY ADAPTER 2	4				0.06	0.132
130	75540-61820	O-RING	4				0.001	0.0022
140	75536-66220	NIPPLE	4				0.04	0.088
150	7J245-66410	CAP DUST	1			BLUE	0.01	0.022
160	7J245-66420	CAP DUST	1			YELLOW	0.017	0.0374
170	7J245-66430	CAP DUST	1			RED	0.005	0.011
180	7J245-66440	CAP DUST	1			WHITE	0.016	0.0352

CONTROL VALVE [RV]



7J048-005-12

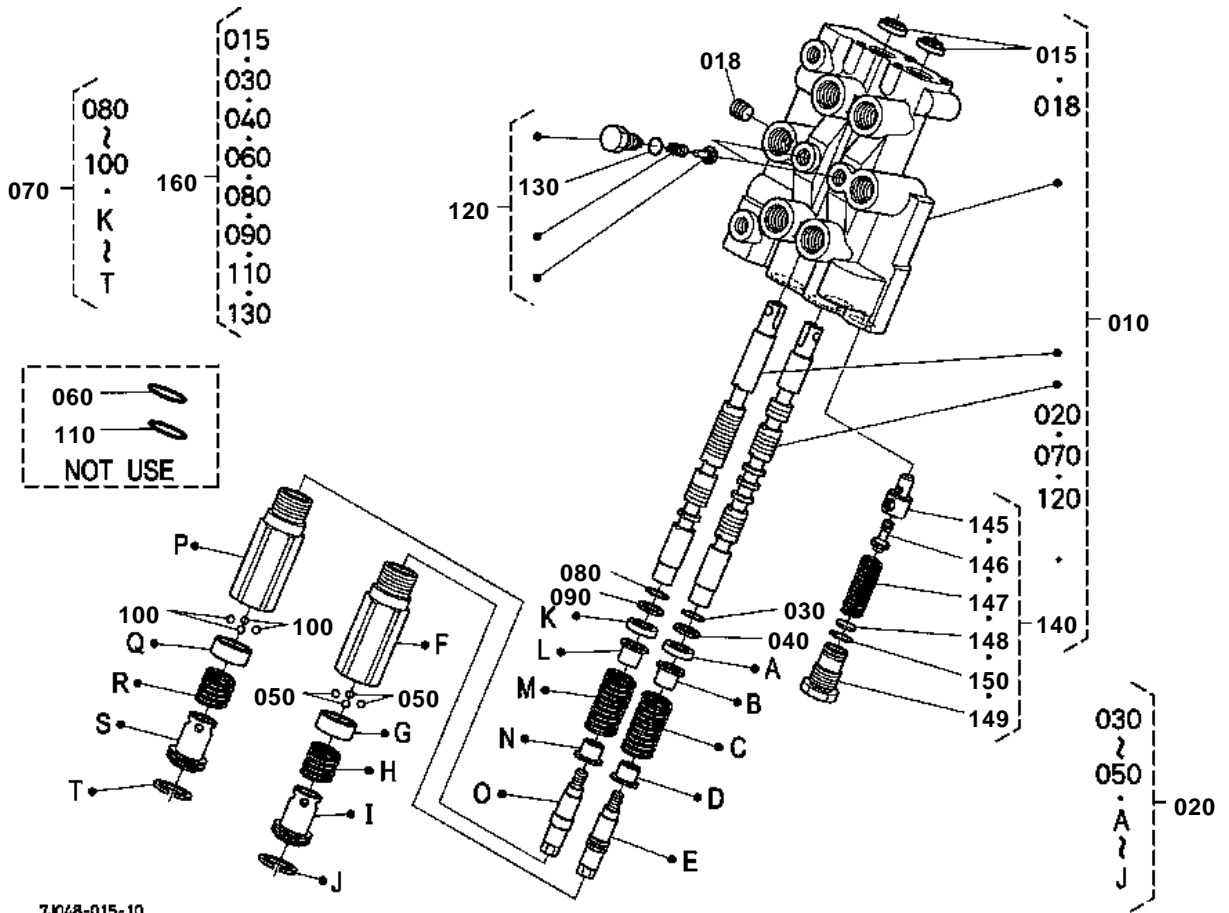


CONTROL VALVE [R/V]

↔ Interchangeable; ≠ not interchangeable; ← new for old; → old for new

REF.No	Part No.	Description	Q'ty	S.No.	I/C	REMARKS	Weight (kgf)	Weight (lb)
010	YW248-00100	ASSY VALVE CONTROL	1				0	0
020	01123-50820	BOLT	2				0.011	0.0242
030	75580-61800	ASSY ADAPTER 1	1				0.06	0.132
040	75540-61820	O-RING	1				0.001	0.0022
050	75540-61900	ASSY ELBOW ADJUSTABL	2				0.11	0.242
060	75546-61860	THROTTLE	1				0.009	0.0198
070	75540-61820	O-RING	2				0.001	0.0022
080	75532-61800	ASSY ADAPTER	4				0.06	0.132
090	75540-61820	O-RING	4				0.001	0.0022
100	75536-66220	NIPPLE	4				0.04	0.088
110	7J245-66410	CAP DUST	1			BLUE	0.01	0.022
120	7J245-66420	CAP DUST	1			YELLOW	0.017	0.0374
130	7J245-66430	CAP DUST	1			RED	0.005	0.011
140	7J245-66440	CAP DUST	1			WHITE	0.016	0.0352
150	YW232-98610	CAP	2				0.018	0.0396

CONTROL VALVE [COMPONENT PARTS]



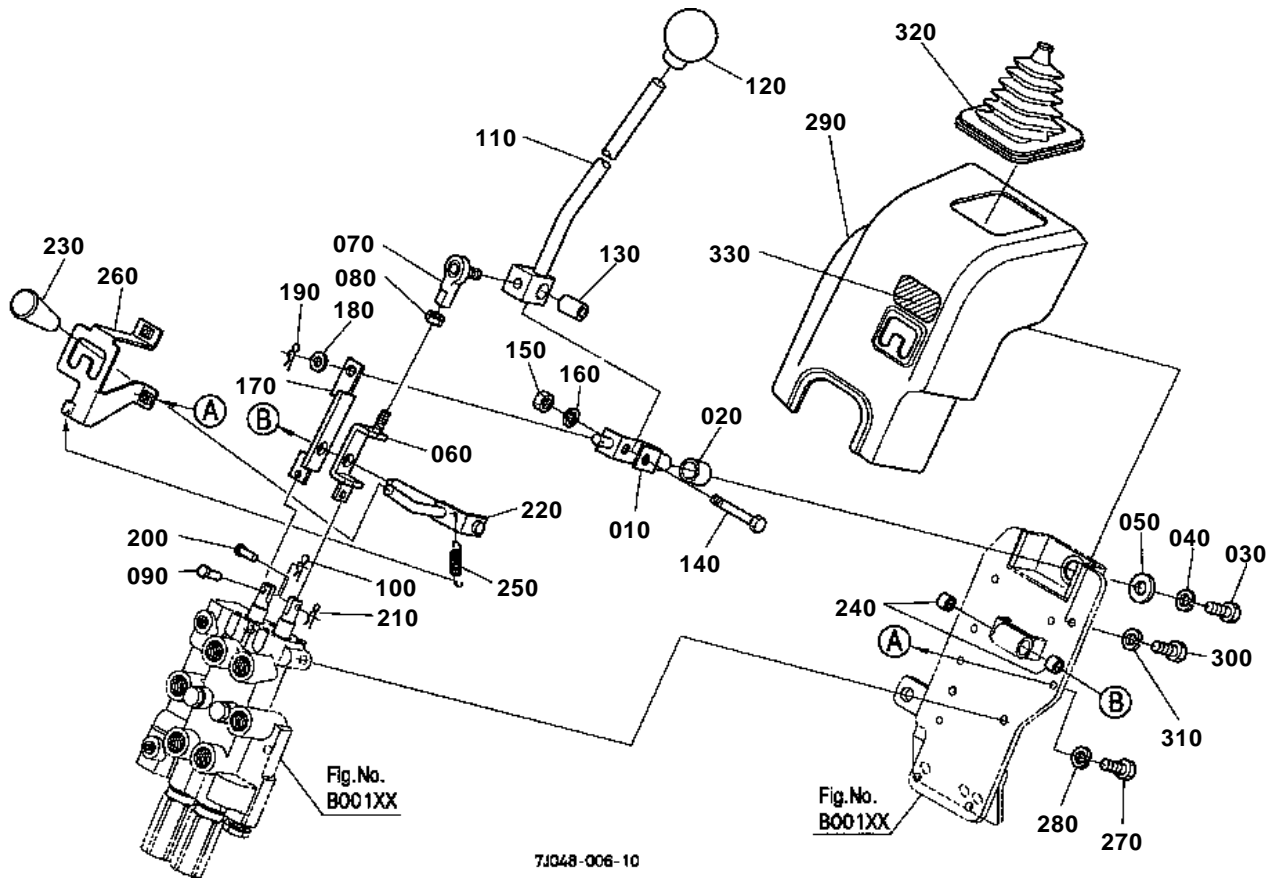


CONTROL VALVE [COMPONENT PARTS]

↔ Interchangeable; ≠ not interchangeable; ← new for old; → old for new

REF.No	Part No.	Description	Q'ty	S.No.	I/C	REMARKS	Weight (kgf)	Weight (lb)
010	YW248-00100	ASSY VALVE CONTROL	1				0	0
015	YW077-00610	SEAL DUST	2				0.001	0.0022
018	YT232-00720	PLUG	1				0.007	0.0154
020	YW232-91102	KIT PLUG DETENT	1				0.43	0.946
030	04817-00140	O RING	1				0.001	0.0022
040	34076-66250	RING BACK UP	1				0.005	0.011
050	07715-01603	BALL	4				0.001	0.0022
060	04817-06250	O RING	1				0.001	0.0022
070	YW242-92102	KIT PLUG DETENT	1				0.43	0.946
080	04817-00140	O RING	1				0.001	0.0022
090	34076-66250	RING BACK UP	1				0.005	0.011
100	07715-01603	BALL	4				0.001	0.0022
110	04817-06250	O RING	1				0.001	0.0022
120	YW232-93100	KIT VALVE LOAD CHECK	2				0.04	0.088
130	04817-00100	O RING	2				0.001	0.0022
140	YW248-95100	KIT VALVE RELIEF	1				0	0
145	31351-37930	SEAT RELIEF VALVE	1				0.02	0.044
146	YT450-00220	POPPET	1				0	0
147	31351-37920	SPRING RELIEF	1				0.02	0.044
148	31351-37970	SHIM	2			0.1mm	0.001	0.0022
148	31351-37960	SHIM	2			0.2mm	0.001	0.0022
148	31351-37950	SHIM	2			0.4mm	0.001	0.0022
149	YW226-01120	PLUG	1				0	0
150	04817-05160	O RING	1				0.001	0.0022
160	YW242-94100	KIT SEAL	1				0.01	0.022

CONTROL LEVER



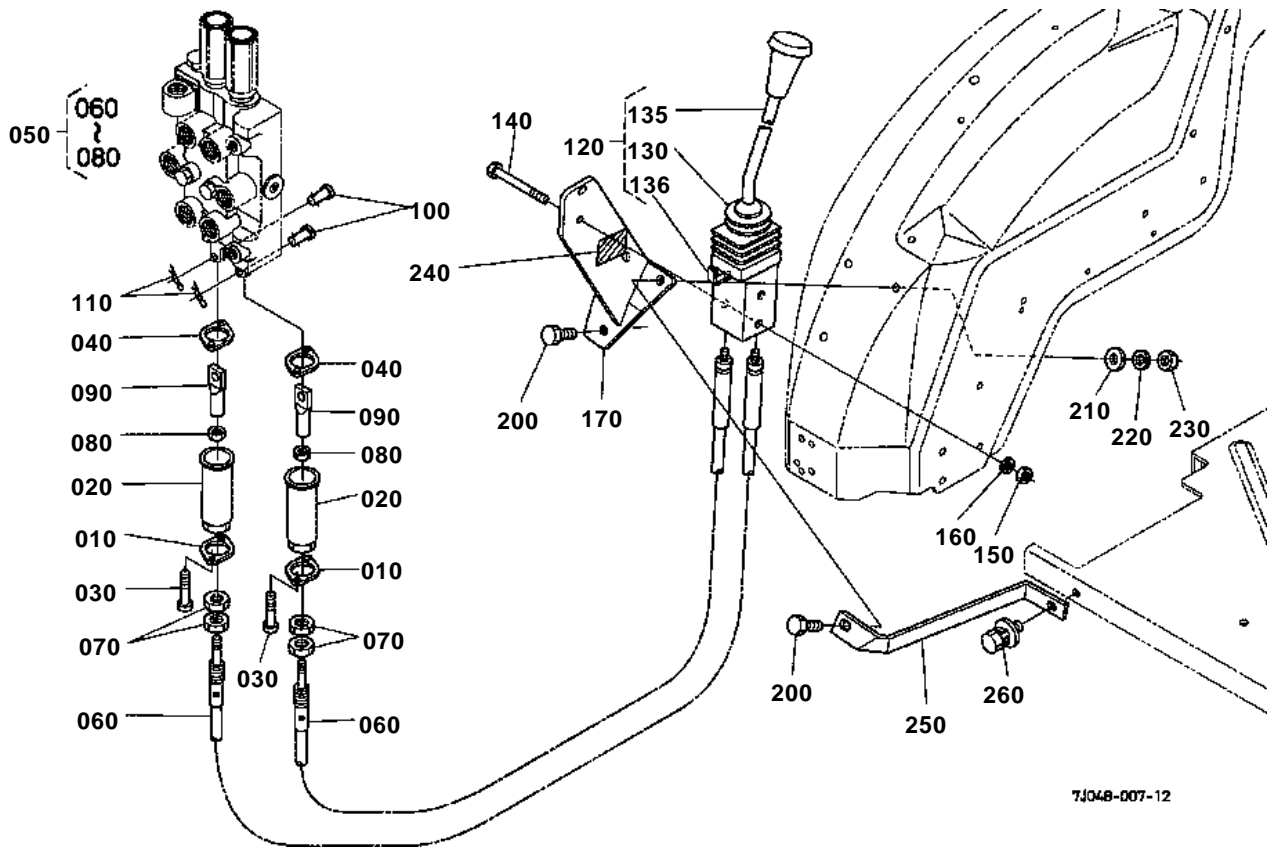


CONTROL LEVER

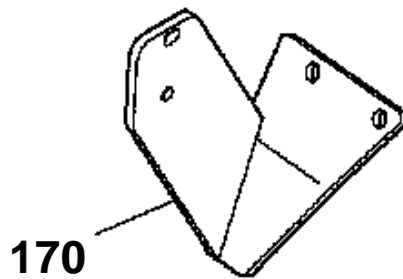
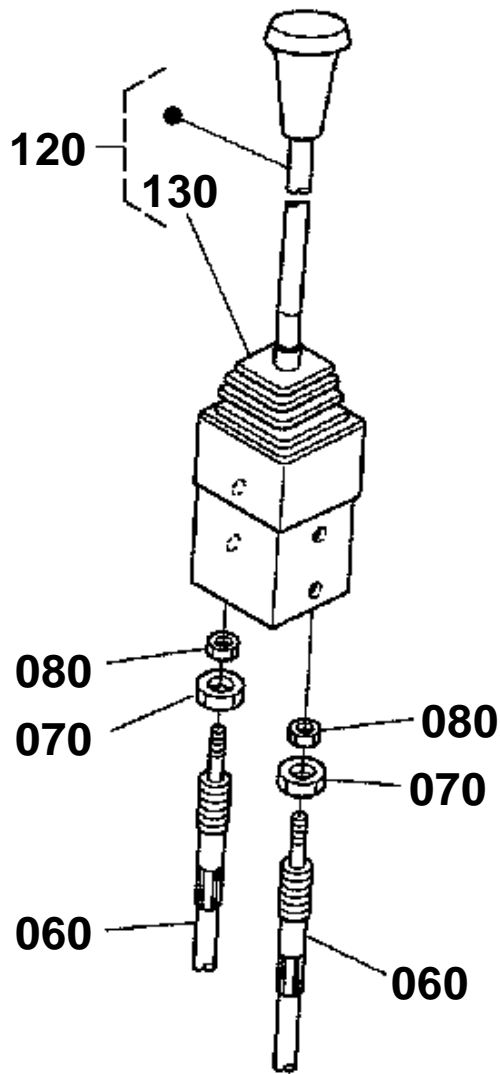
↔ Interchangeable; ≠ not interchangeable; ← new for old; → old for new

REF.No	Part No.	Description	Q'ty	S.No.	I/C	REMARKS	Weight (kgf)	Weight (lb)
010	7J266-62115	LEVER	1				0.18	0.396
020	08511-01625	BUSH	1				0.01	0.022
030	01053-50818	BOLT	1				0.011	0.0242
040	04512-60080	WASHER SPRING	1				0.002	0.0044
050	04015-60080	WASHER PLAIN	1				0.01	0.022
060	7J266-62163	LEVER 1 LOCK	1				0.14	0.308
070	75532-62260	JOINT ROD END	1				0.05	0.11
080	75599-31022	NUT	1			5/16-24UNF	0.015	0.033
090	75540-62190	PIN	1				0.018	0.0396
100	05525-60500	PIN SNAP	1				0.001	0.0022
110	7J048-62210	LEVER CONTROL	1				0	0
120	31355-82520	GRIP LEVER	1				0.05	0.11
130	7J266-72150	SLEEVE	1				0.001	0.0022
140	01073-51050	BOLT	1				0.038	0.0836
150	02018-50100	NUT	1				0.011	0.0242
160	04512-60100	WASHER SPRING	1				0.002	0.0044
170	7J266-62283	LEVER 2 LOCK	1				0.11	0.242
180	04013-60100	WASHER PLAIN	1				0.003	0.0066
190	05525-61000	PIN SNAP	1				0.002	0.0044
200	75540-62190	PIN	1				0.018	0.0396
210	05525-60500	PIN SNAP	1				0.001	0.0022
220	7J266-62414	LEVER LOCK	1				0.16	0.352
230	06914-00100	GRIP LEVER	1				0.02	0.044
240	08511-01210	BUSH	2				0.005	0.011
250	7J266-62813	SPRING LOCK	1				0.1	0.22
260	7J266-62510	GUIDE LEVER	1				0.2	0.44
270	01053-50616	BOLT	2				0.005	0.011
280	04512-60060	WASHER SPRING	2				0.001	0.0022
290	7J266-62315	COVER	1				0.01	0.022
300	01053-50616	BOLT	3				0.005	0.011
310	04512-60060	WASHER SPRING	3				0.001	0.0022
320	7J266-62710	BOOT CONTROL LEVER	1				0.01	0.022
330	7J266-62910	LABEL C/V LOCK	1				0.001	0.0022

CONTROL LEVER [R/V]



OLD PART

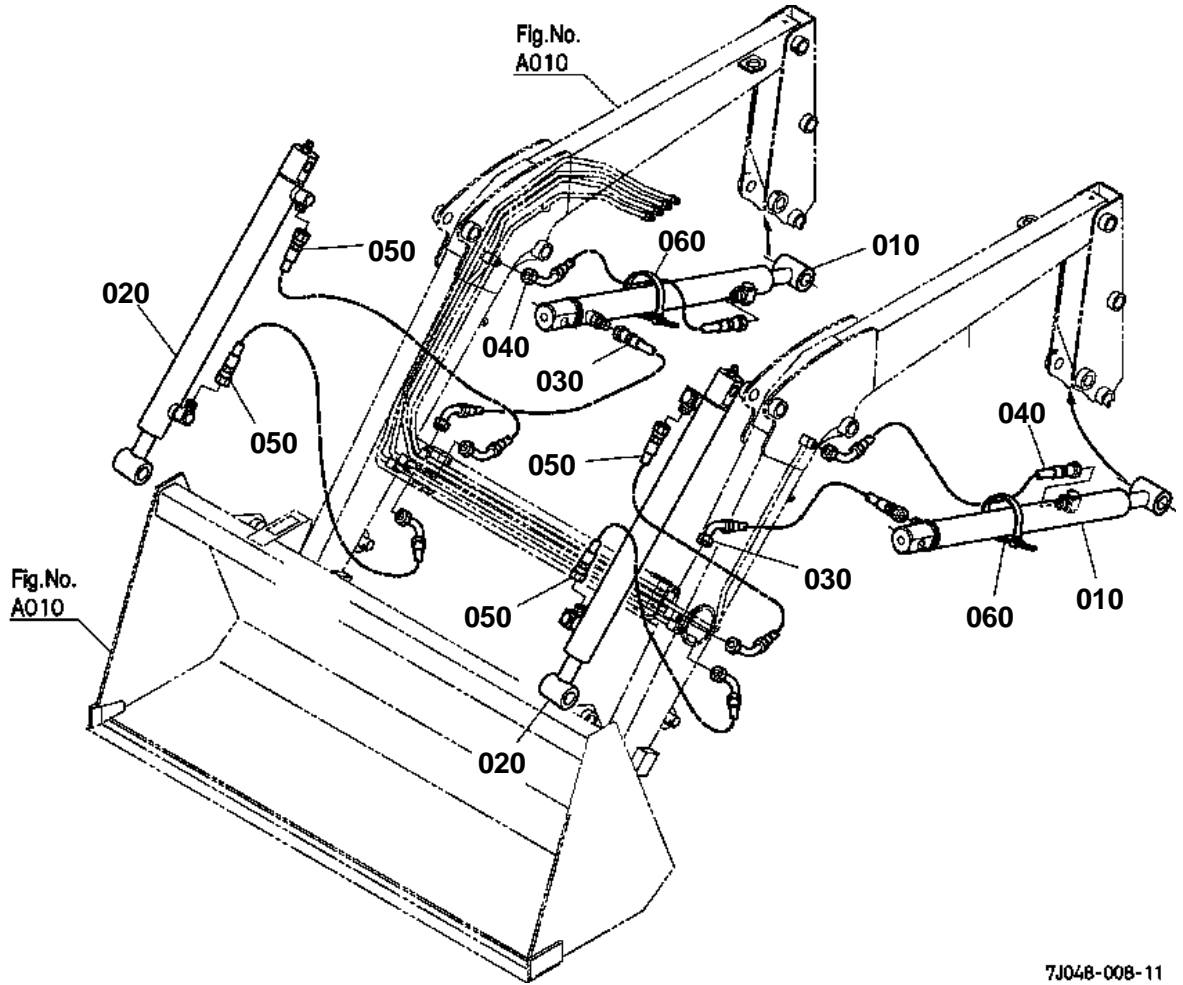


7J048-800-10

**CONTROL LEVER [R/V]**

↔ Interchangeable; ≠ not interchangeable; ← new for old; → old for new

REF.No	Part No.	Description	Q'ty	S.No.	I/C	REMARKS	Weight (kgf)	Weight (lb)
010	7J261-77140	FLANGE	2				0.01	0.022
020	7J261-77150	SLEEVE	2				0.055	0.121
030	01311-10616	BOLT HEX-SOC-HD	4				0.005	0.011
040	7J240-77172	GASKET	2				0.002	0.0044
050	75568-77200	ASSY CABLE	2	<=10695			0.47	1.034
050	7J411-77200	ASSY CABLE	2	>=10696	1		0.49	1.078
050	75568-77300	ASSY CABLE	2	>=12358	1		0	0
060	75568-77210	CABLE	2			1250mm	7	15.4
060	7J411-77210	CABLE	2		1	1350mm	0.47	1.034
060	75568-77310	CABLE	2		1	1250mm	0	0
070	75568-77220	NUT	6	<=12357		M16*1.5	0.021	0.0462
070	75568-77220	NUT	4	>=12358		M16*1.5	0.021	0.0462
080	02014-50060	NUT	4	<=12357			0.002	0.0044
080	02014-50060	NUT	2	>=12358			0.002	0.0044
090	7J261-77250	END CABLE	2				0.02	0.044
100	75540-62190	PIN	2				0.018	0.0396
110	05525-60500	PIN SNAP	2				0.001	0.0022
120	7J048-77500	CONTROLLER	1	<=10695			0	0
120	7J048-77502	CONTROLLER	1	>=10696	1		0	0
120	7J048-77600	CONTROLLER	1	>=12358	1		0	0
130	75568-77520	RUBBER BELLOWS	1	<=12357			0	0
130	7J048-77620	RUBBER BELLOWS	1	>=12358	1		0	0
135	7J048-77630	LEVER CONTROLLER	1	>=12358			0	0
136	7J048-77640	KNOB CONTROLLER	1	>=12358			0	0
140	01053-50680	BOLT	2				0.02	0.044
150	02014-50060	NUT	2				0.002	0.0044
160	04512-60060	WASHER SPRING	2				0.001	0.0022
170	7J048-77700	COMP.STAY CONTROLLER	1	<=10695			0	0
170	7J048-77702	STAY COMP.CONTROLLER	1	>=10696	1		0	0
180	99999-99999	BLANK	0				0	0
190	99999-99999	BLANK	0				0	0
200	01053-50825	BOLT	3				0.014	0.0308
210	04015-60080	WASHER PLAIN	3				0.01	0.022
220	04512-60080	WASHER SPRING	3				0.002	0.0044
230	02054-50080	NUT	3				0.005	0.011
240	7J266-77740	LABEL R/V LOCK	1				0.001	0.0022
250	7J048-77840	PLATE REINFORCEMENT	1	>=10066			0	0
260	01125-50825	BOLT	1	>=10066			0.018	0.0396



7J048-008-11

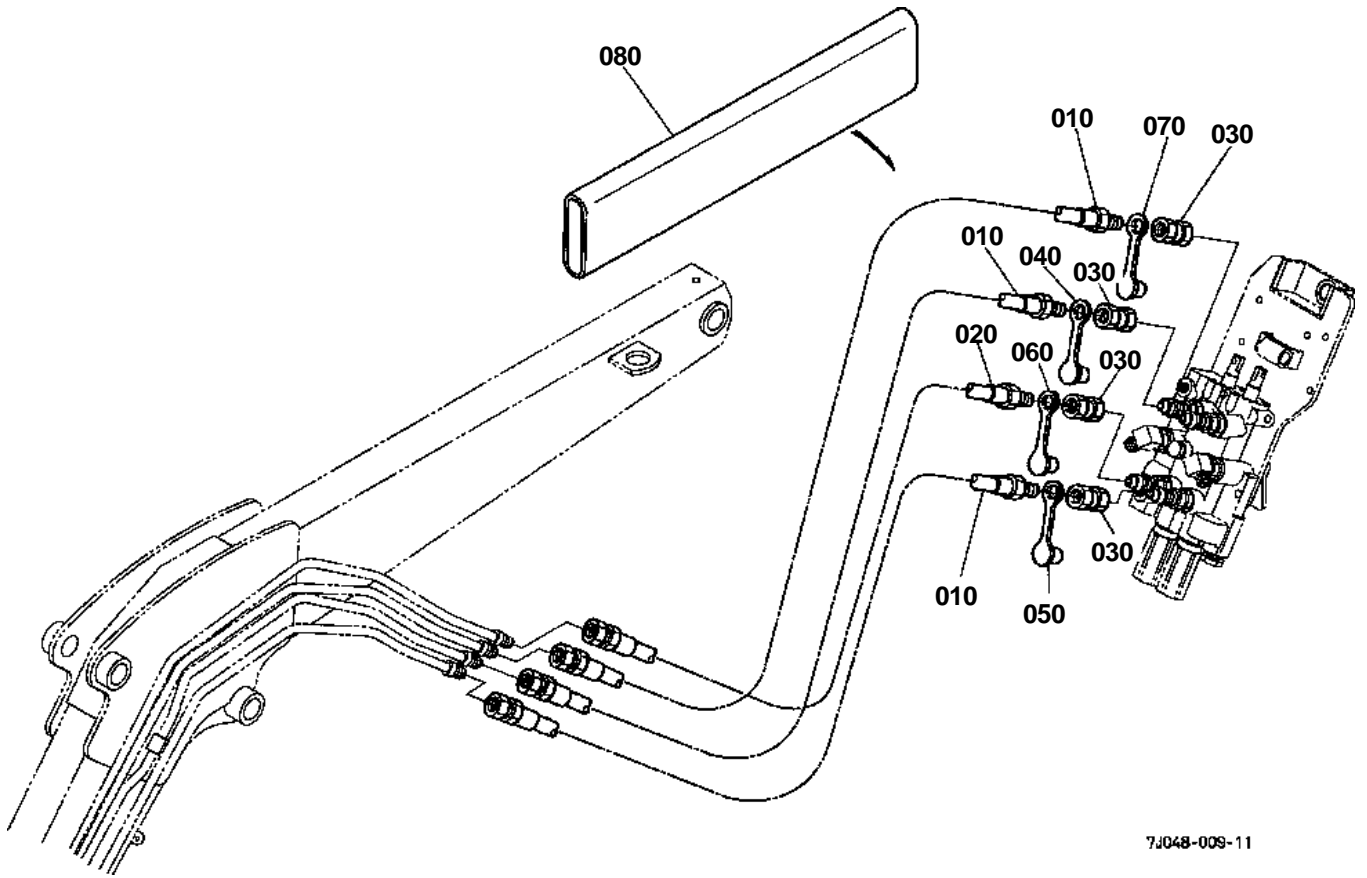


CYLINDER/HYDRAULIC HOSE

↔ Interchangeable; ≠ not interchangeable; ← new for old; → old for new

REF.No	Part No.	Description	Q'ty	S.No.	I/C	REMARKS	Weight (kgf)	Weight (lb)
010	7J048-63010	CYLINDER 1	2				0	0
020	7J048-64010	CYLINDER 2	2				0	0
030	7J048-66610	HOSE 8 HYDRAULIC	2				0	0
040	7J048-66620	HOSE 9 HYDRAULIC	2				0	0
050	7J266-66610	HOSE 8 HYDRAULIC	4				0.36	0.792
060	75590-64650	BAND CODE	2				0.01	0.022

HYDRAULIC HOSE(HYD.OUTLET BLOCK)



7J048-009-11

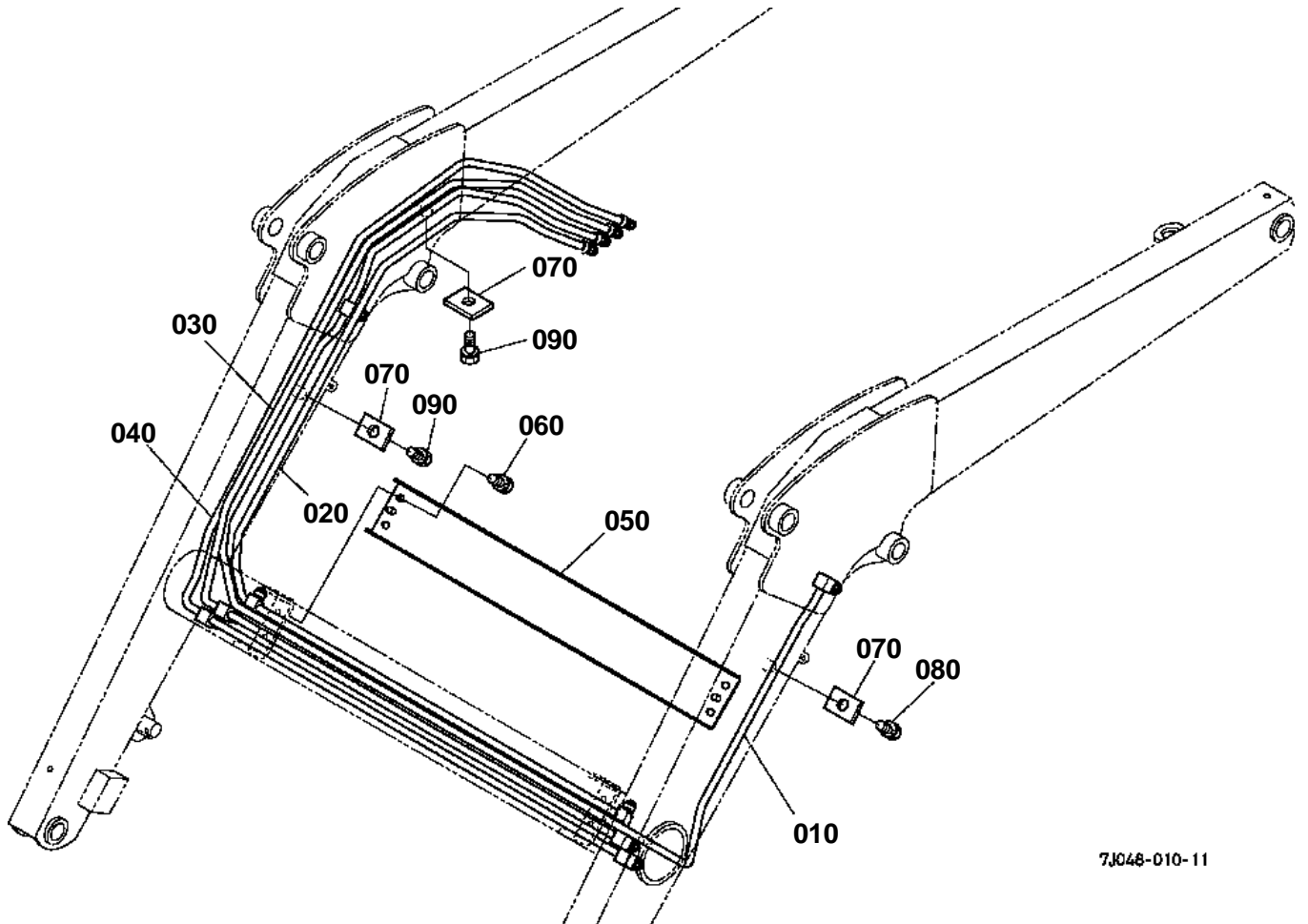


HYDRAULIC HOSE(HYD.OUTLET BLOCK)

↔ Interchangeable; ≠ not interchangeable; ← new for old; → old for new

REF.No	Part No.	Description	Q'ty	S.No.	I/C	REMARKS	Weight (kgf)	Weight (lb)
010	7J048-66110	HOSE 1 HYDRAULIC	3				0	0
020	7J048-66210	HOSE 2 HYDRAULIC	1				0	0
030	75536-66320	COUPLER	4				0.13	0.286
040	7J245-66310	PLUG DUST	1			BLUE	0.014	0.0308
050	7J245-66320	PLUG DUST	1			YELLOW	0.018	0.0396
060	7J245-66330	PLUG DUST	1			RED	0.09	0.198
070	7J245-66340	PLUG DUST	1			WHITE	0.01	0.022
080	7J240-66140	SLEEVE	1			18.0	0.07	0.154

HYDRAULIC TUBE



7J048-010-11

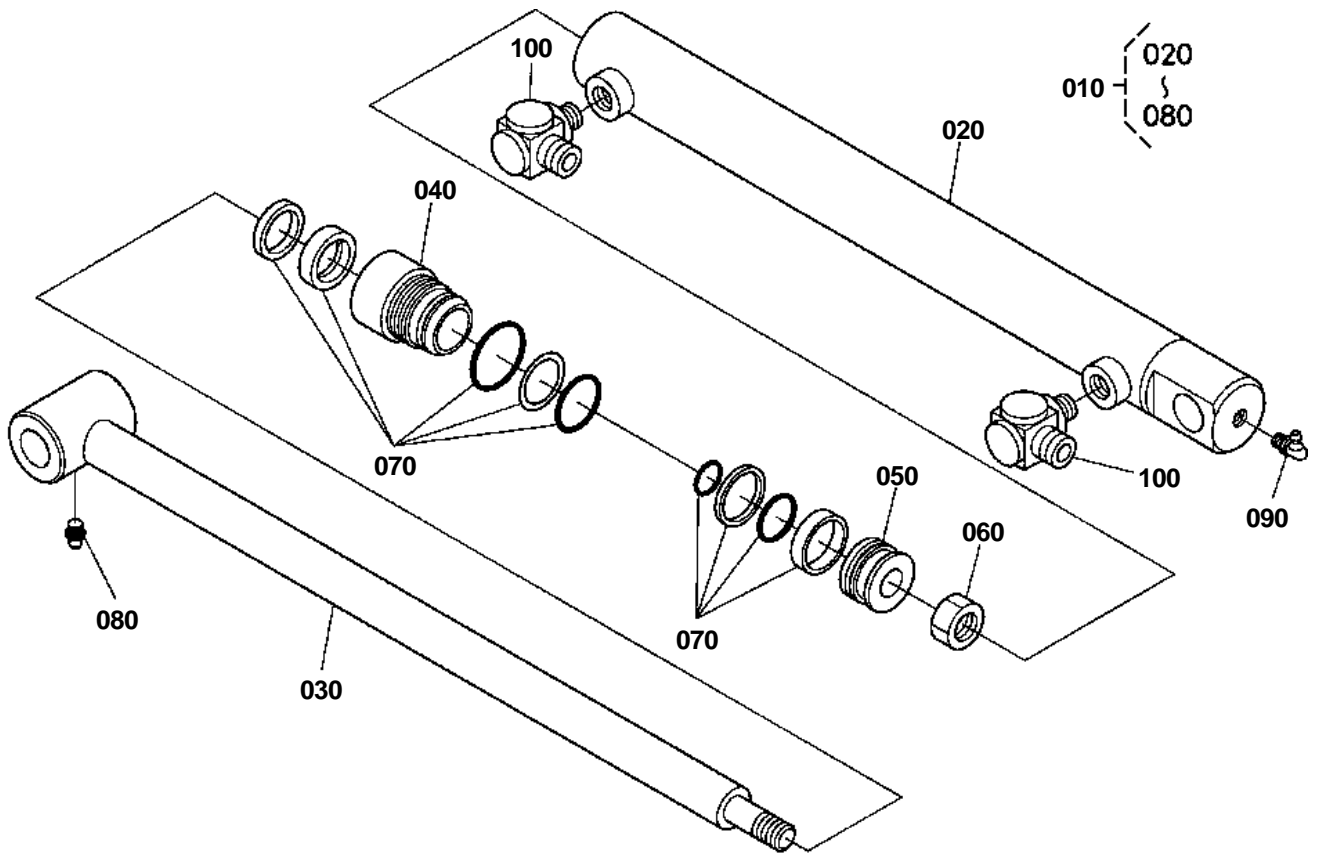


HYDRAULIC TUBE

↔ Interchangeable; ≠ not interchangeable; ← new for old; → old for new

REF.No	Part No.	Description	Q'ty	S.No.	I/C	REMARKS	Weight (kgf)	Weight (lb)
010	7J048-65110	TUBE 1 HYDRAULIC	1				0	0
020	7J048-65210	TUBE 2 HYDRAULIC	1				0	0
030	7J048-65310	TUBE 3 HYDRAULIC	1				0	0
040	7J048-65410	TUBE 4 HYDRAULIC	1				0	0
050	7J048-65510	COVER CLAMP	1				0	0
060	01125-50830	BOLT	4				0.017	0.0374
070	7J048-65550	CLAMP 3	3				0	0
080	01023-50616	BOLT	1				0.005	0.011
090	01023-50630	BOLT	2				0.008	0.0176

CYLINDER (BOOM)[COMPONENT PARTS]



7J048-011-10

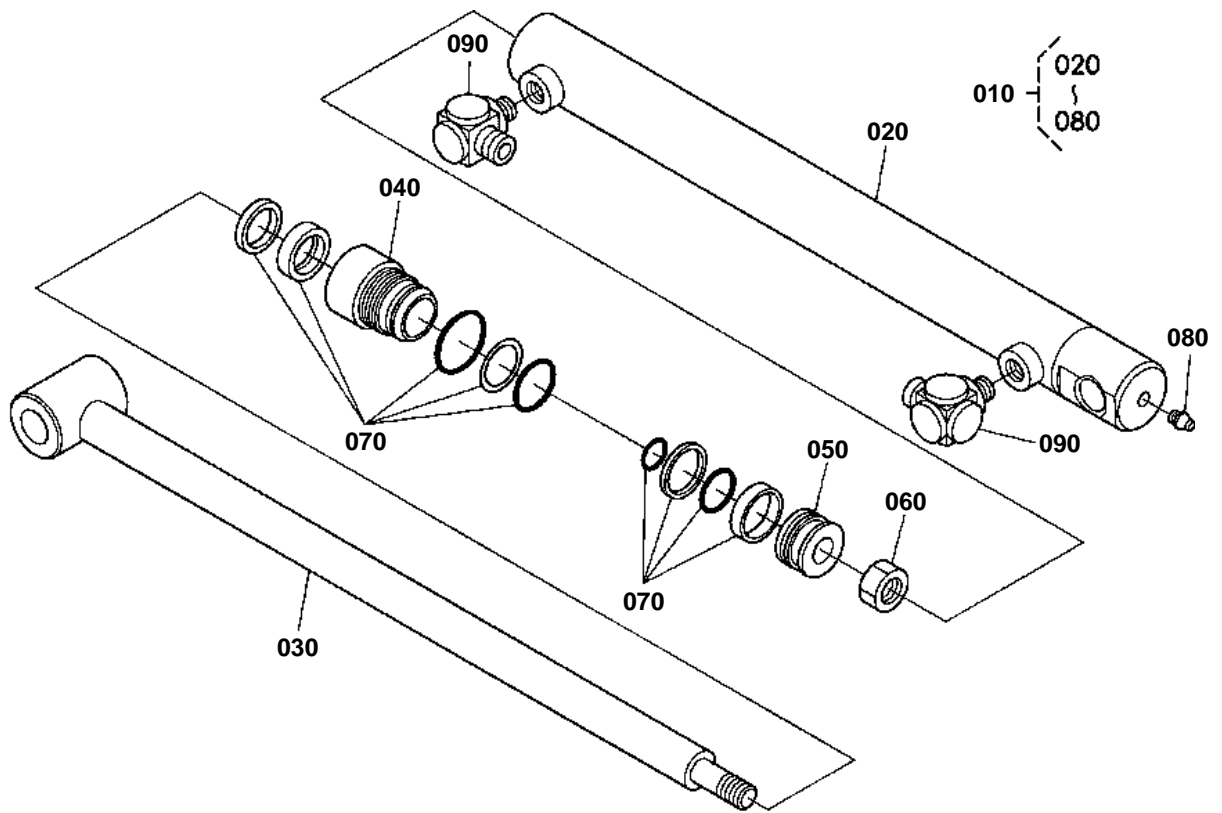


CYLINDER (BOOM)[COMPONENT PARTS]

↔ Interchangeable; ≠ not interchangeable; ← new for old; → old for new

REF.No	Part No.	Description	Q'ty	S.No.	I/C	REMARKS	Weight (kgf)	Weight (lb)
010	7J048-63010	CYLINDER 1	1				0	0
020	7J048-63100	TUBE 1 COMP.	1				0	0
030	7J048-63200	ROD 1 COMP.	1				0	0
040	7J048-63310	HEAD 1	1				0	0
050	7J048-63350	PISTON 1	1				0	0
060	7J048-63360	NUT	1			5/8-18	0	0
070	7J048-63400	KIT 1 SEAL	1				0	0
080	75599-81531	FITTING GREASE	1			1/8-27NPTF	0.007	0.0154
090	75532-63470	FITTING GREASE	1			90DEG.	0.01	0.022
100	75540-64910	ELBOW 1	2				0.11	0.242

CYLINDER (BUCKET)[COMPONENT PARTS]



7.0048-012-10

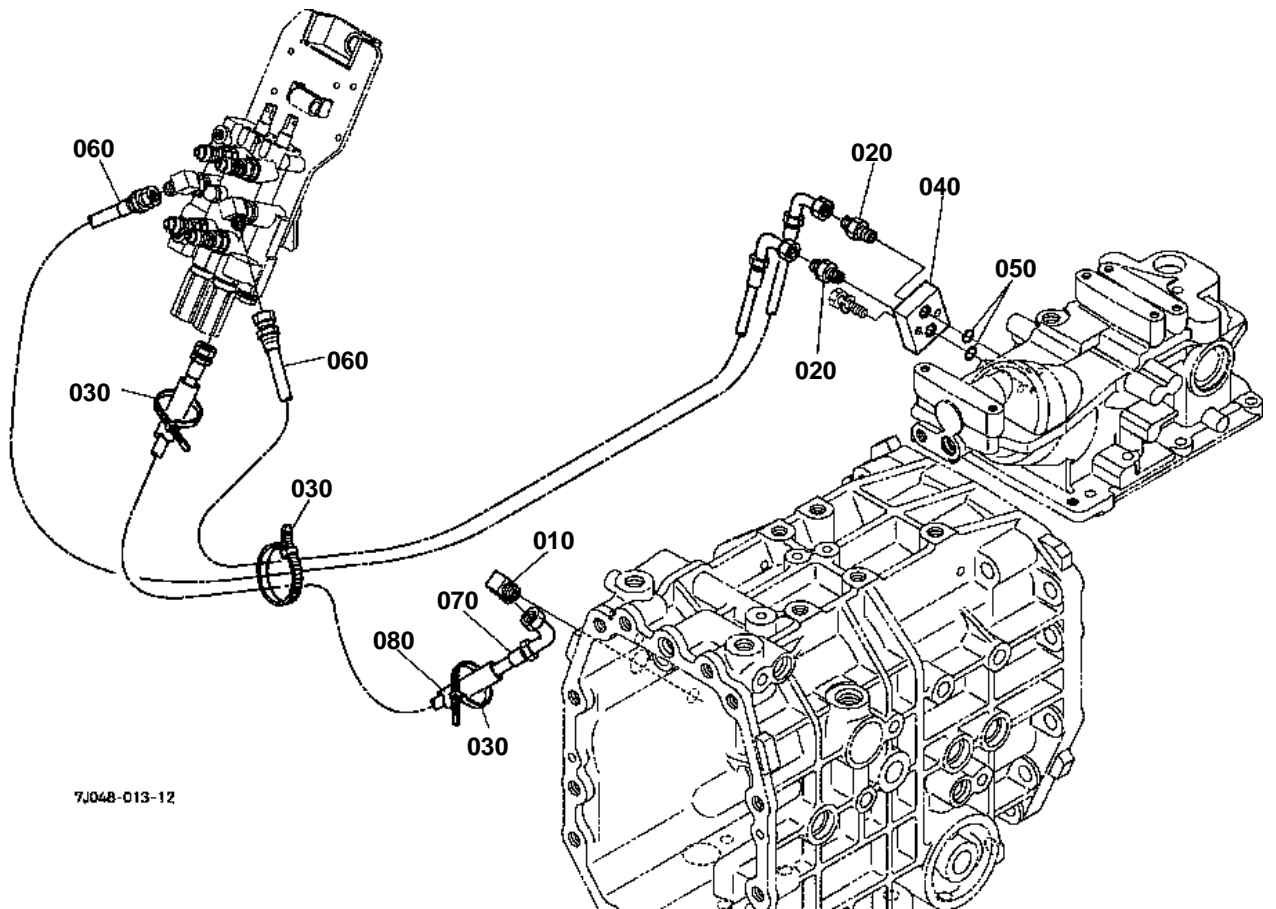


CYLINDER (BUCKET)[COMPONENT PARTS]

↔ Interchangeable; ≠ not interchangeable; ← new for old; → old for new

REF.No	Part No.	Description	Q'ty	S.No.	I/C	REMARKS	Weight (kgf)	Weight (lb)
010	7J048-64010	CYLINDER 2	1				0	0
020	7J048-64100	TUBE 2 COMP.	1				0	0
030	7J048-64200	ROD 2 COMP.	1				0	0
040	7J048-64310	HEAD 2	1				0	0
050	7J048-64350	PISTON 2	1				0	0
060	7J048-63360	NUT	1			5/8-18	0	0
070	7J048-64400	KIT 2 SEAL	1				0	0
080	75599-81531	FITTING GREASE	1			1/8-27NPTF	0.007	0.0154
090	75540-64910	ELBOW 1	2				0.11	0.242

HYDRAULIC BLOCK



7J048-013-12

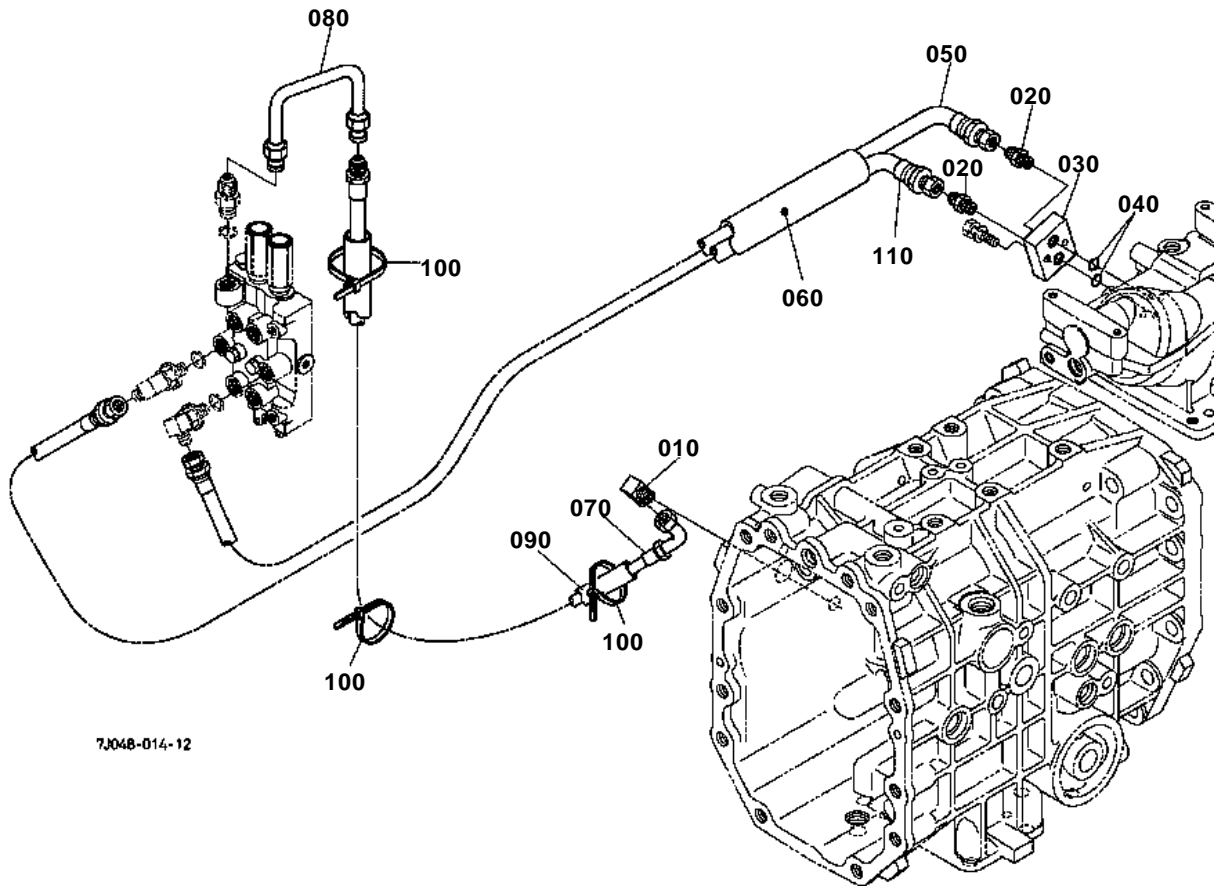


HYDRAULIC BLOCK

↔ Interchangeable; ≠ not interchangeable; ← new for old; → old for new

REF.No	Part No.	Description	Q'ty	S.No.	I/C	REMARKS	Weight (kgf)	Weight (lb)
010	75540-64910	ELBOW 1	1				0.11	0.242
020	75536-66810	ADAPTER 1	2				0.04	0.088
030	75590-64650	BAND CODE	3				0.01	0.022
040	75536-68110	BLOCK HYDRAULIC	1				0.3	0.66
050	75536-68130	O-RING	2				0.001	0.0022
060	7J048-66310	HOSE 5 HYDRAULIC	2				0	0
070	7J040-66510	HOSE 7 HYDRAULIC	1				0.62	1.364
080	7J040-66570	SLEEVE RETURN	1				0.11	0.242

HYDRAULIC BLOCK



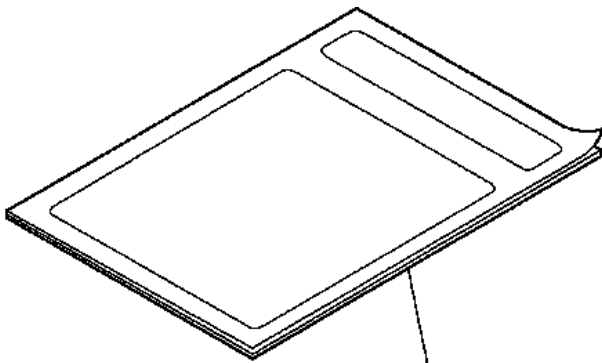
7J048-014-12



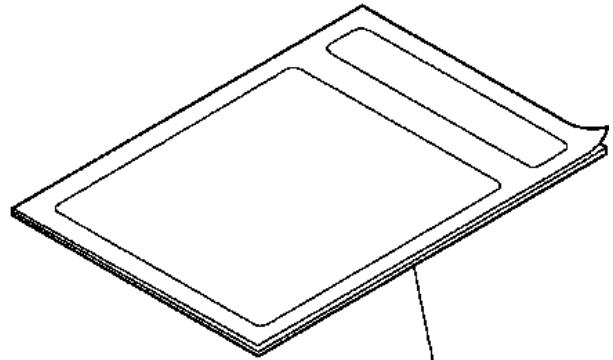
HYDRAULIC BLOCK

↔ Interchangeable; ≠ not interchangeable; ← new for old; → old for new

REF.No	Part No.	Description	Q'ty	S.No.	I/C	REMARKS	Weight (kgf)	Weight (lb)
010	75540-64910	ELBOW 1	1				0.11	0.242
020	75536-66810	ADAPTER 1	2				0.04	0.088
030	75536-68110	BLOCK HYDRAULIC	1				0.3	0.66
040	75536-68130	O RING	2				0.001	0.0022
050	7J048-76310	HOSE 5 HYDRAULIC	1				0	0
060	75596-64120	SLEEVE 1	1				0.05	0.11
070	7J048-76510	HOSE 7 HYDRAULIC	1	<=12357			0	0
070	7J048-76512	HOSE HYDRAULIC	1	>=12358	-		0	0
080	7J041-76530	TUBE TANK	1				0.17	0.374
090	7J040-66570	SLEEVE RETURN	1				0.11	0.242
100	75590-64650	BAND CODE	2	<=12357			0.01	0.022
100	75590-64650	BAND CODE	3	>=12358			0.01	0.022
110	7J048-76410	HOSE 6 HYDRAULIC	1				0	0



010



020

5K263-004-10



ACCESSORIES AND SERVICE PARTS

↔ Interchangeable; ≠ not interchangeable; ← new for old; → old for new

REF.No	Part No.	Description	Q'ty	S.No.	I/C	REMARKS	Weight (kgf)	Weight (lb)
010	7J048-69110	OPERATOR'S MANUAL	1			ENGLISH	0	0
010	7J048-95910	OPERATORS MANUAL FR	1			FRENCH	0	0
020	7J048-69130	MANUAL SUPPLEMENT	1	>=10066			0	0
020	7J048-69132	MANUAL SUPPLEMENT	1	>=12358	1		0	0