

# Instructions for Parts Books

The heading at the top of the page will be the same for the picture of the parts at it is for the page with the part numbers.

Definition of column headings on part number pages:

**REF.No** → The number referring to the part on the picture page of the parts book.

**Part No.** → The number assigned to this part at the time of printing the parts book.

**Description** → Discription of part.

**Q'ty** → Quantity of part used on that page.

**S.No.** → Serial number range of the equipment that this part will fit.

>= Your serial number should be greater than or equal to the number shown.

<= Your serial number should be lesser than or equal to the serial number shown.

**I/C** → Interchangeability of part shown.

↔ The part shown will work for the older and later serial number.

# The part shown is not interchangeable with the other serial number.

← new for old

→ old for new

**Remarks** → Notes about this particulart part. Sometimes this may say except [FR] or [CA]

## Note about Country Codes:

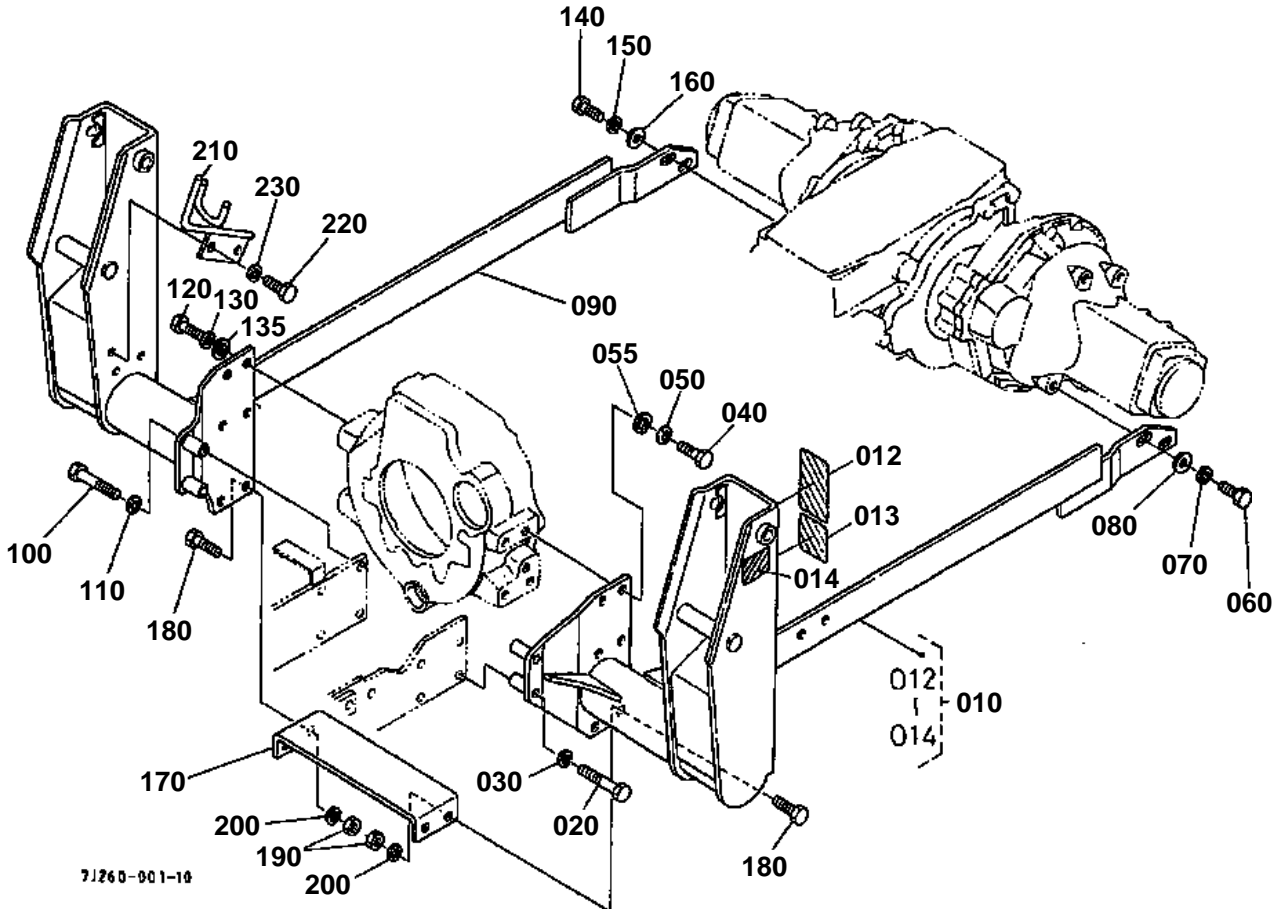
The parts books we use in the United States of America may also contain information about a part that would be different in another country. It is important that you are aware of the country codes in some instances.

Symbol	Country
A	United States of America
CA	Canada
FR	France
GR	Greece
PO	Portugal
AU	Australia

If the remarks column says for example EXCEPT [FR] this part works in all countries except France. That means it will work here in the USA.

Part No.	Description	Book
01L0102	MAIN FRAME	100A0075
01L0202	SIDE FRAME	100A0075
01L0302	BOOM	100A0075
01L0401	CONTROL VALVE	100A0075
01L0402	CONTROL VALVE	100A0075
01L0501	CONTROL VALVE [COMPONENT PARTS]	100A0075
01L0502	CONTROL VALVE [COMPONENT PARTS]	100A0075
01L0601	CONTROL LEVER	100A0075
01L0602	CONTROL LEVER	100A0075
01L07	CYLINDER / HYDRAULIC HOSE	100A0075
01L0802	CYLINDER (BOOM) [COMPONENT PARTS]	100A0075
01L0902	CYLINDER (BUCKET) [COMPONENT PARTS]	100A0075
01L10	HYDRAULIC TUBE	100A0075
01L11	HYDRAULIC HOSE	100A0075
01L12	ACCESSORIES AND SERVICE PARTS	100A0075

MAIN FRAME

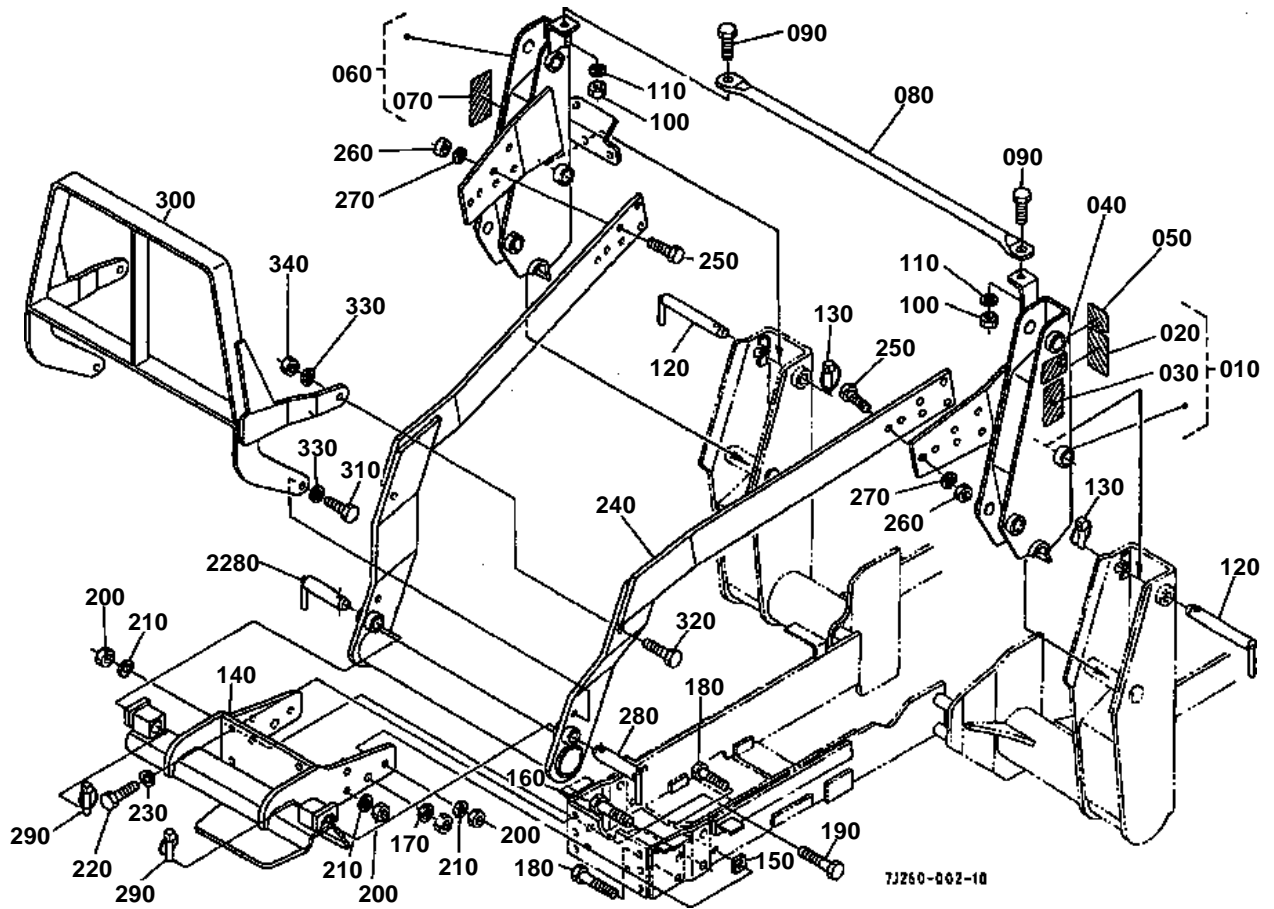


**MAIN FRAME**

↔ Interchangeable; ≠ not interchangeable; ← new for old; → old for new

REF.No	Part No.	Description	Q'ty	S.No.	I/C	REMARKS	Weight (kgf)	Weight (lb)
010	75556-90110	FRAME MAIN LH(LABEL)	1				0	0
012	75546-56413	LABEL DANGER 1	1				0	0
013	75567-56422	LABEL DANGER 2	1				0	0
014	75546-56440	LABEL WARNING 1	1				0	0
020	01073-51280	HEX.BOLT	2			(M12*1.25*80)	0.078	0.1716
030	04512-50120	WASHER SPRING LOCK	2			(M12)	0.003	0.0066
040	01073-51440	HEX.BOLT	4			(M14*1.5*40)	0.069	0.1518
050	75599-33016	WASHER SPRING LOCK	4			(9/16)	0.08	0.176
055	75599-32516	WASHER PLAIN	4			(9/16HD)	0	0
060	01073-51230	HEX.BOLT	2			(M12*1.25*30)	0.041	0.0902
070	04512-50120	WASHER SPRING LOCK	2			(M12)	0.003	0.0066
080	75599-32515	WASHER PLAIN	2			(1/2HD)	0	0
090	75556-55033	FRAME MAIN RH	1				0	0
100	01073-51280	HEX.BOLT	2			(M12*1.25*80)	0.078	0.1716
110	04512-50120	WASHER SPRING LOCK	2			(M12)	0.003	0.0066
120	01073-51440	HEX.BOLT	4			(M14*1.5*40)	0.069	0.1518
130	75599-33016	WASHER SPRING LOCK	4			(9/16)	0.08	0.176
135	75599-32516	WASHER PLAIN	4			(9/16HD)	0	0
140	01073-51230	HEX.BOLT	2			(M12*1.25*30)	0.041	0.0902
150	04512-50120	WASHER SPRING LOCK	2			(M12)	0.003	0.0066
160	75599-32515	WASHER PLAIN	2			(1/2HD)	0	0
170	75548-55910	CONNECTOR	1				0	0
180	75599-04635	HEX.BOLT	4			(9/16-18UNF*1-3/4)	0	0
190	75599-31066	HEX.NUT	4			(9/16-18UNF)	0	0
200	75599-33016	WASHER SPRING LOCK	4			(9/16)	0.08	0.176
210	7J240-66950	SUPPORT HOSE	1			STANDARD VALVE TYPE (L2085)	0	0
220	75599-03525	HEX.BOLT	2			STANDARD VALVE TYPE (L2085)	0	0
230	75599-33015	WASHER SPRING LOCK	2			STANDARD VALVE TYPE (L2085)	0	0

SIDE FRAME

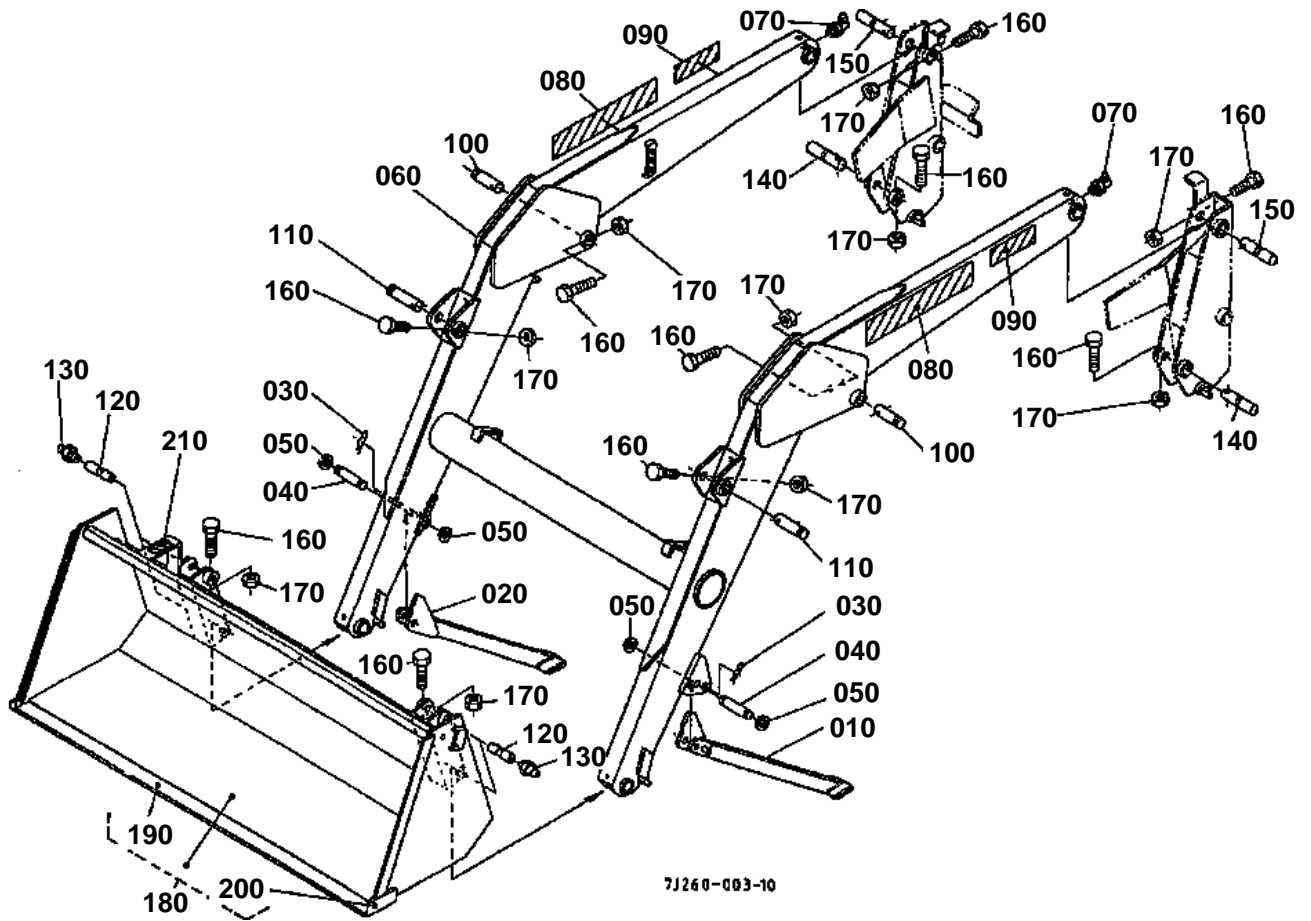


**SIDE FRAME**

↔ Interchangeable; ≠ not interchangeable; ← new for old; → old for new

REF.No	Part No.	Description	Q'ty	S.No.	I/C	REMARKS	Weight (kgf)	Weight (lb)
010	7J260-90130	FRAME SIDE LH(LABEL)	1				0	0
020	75546-56430	LABEL DANGER 3	1				0	0
030	75546-56450	LABEL CAUTION 1	1				0	0
040	7J260-56350	LABEL MODEL	1				0	0
050	75580-56370	LABEL LUBRICATE	1				0	0
060	7J260-90140	FRAME SIDE RH(LABEL)	1				0	0
070	75546-56440	LABEL WARNING 1	1				0	0
080	75548-56710	CONNECTOR SIDE FRAME	1				0	0
090	75599-04630	HEX.BOLT	2			(9/16-18UNF*1-1/2)	0	0
100	75599-31066	HEX.NUT	2			(9/16-18UNF)	0	0
110	75599-33016	WASHER SPRING LOCK	2			(9/16)	0.08	0.176
120	75548-56810	PIN	2				0	0
130	75548-56820	PIN LYNCH	2				0	0
140	7J260-57102	SUPPORT BRACE	1				0	0
150	75556-57190	PLATE 3	1				0	0
160	01073-51650	HEX.BOLT	2			(M16*1.5*50)	0.105	0.231
170	75599-33017	WASHER SPRING LOCK	2			(5/8)	0	0
180	75599-04640	HEX.BOLT	4			(9/16-18UNF*2)	0	0
190	75599-04635	HEX.BOLT	2			(9/16-18UNF*1-3/4)	0	0
200	75599-31066	HEX.NUT	6			(9/16-18UNF)	0	0
210	75599-33016	WASHER SPRING LOCK	6			(9/16)	0.08	0.176
220	01073-51440	HEX.BOLT	4			(M14*1.5*40)	0.069	0.1518
230	75599-33016	WASHER SPRING LOCK	4			(9/16)	0.08	0.176
240	7J260-57400	BRACE	1				0	0
250	75599-04630	HEX.BOLT	12			(9/16-18UNF*1-1/2)	0	0
260	75599-31066	HEX.NUT	12			(9/16-18UNF)	0	0
270	75599-33016	WASHER SPRING LOCK	12			(9/16)	0.08	0.176
280	7J240-57490	PIN	2				0	0
290	75548-56820	PIN LYNCH	2				0	0
300	7J240-57810	GUARD FRONT	1				0	0
310	75599-04625	HEX.BOLT	2			(9/16-18UNF*1-1/4)	0	0
320	75599-04630	HEX.BOLT	2			(9/16-18UNF*1-1/2)	0	0
330	75599-33016	WASHER SPRING LOCK	4			(9/16)	0.08	0.176
340	75599-31066	HEX.NUT	2			(9/16-18UNF)	0	0

BOOM



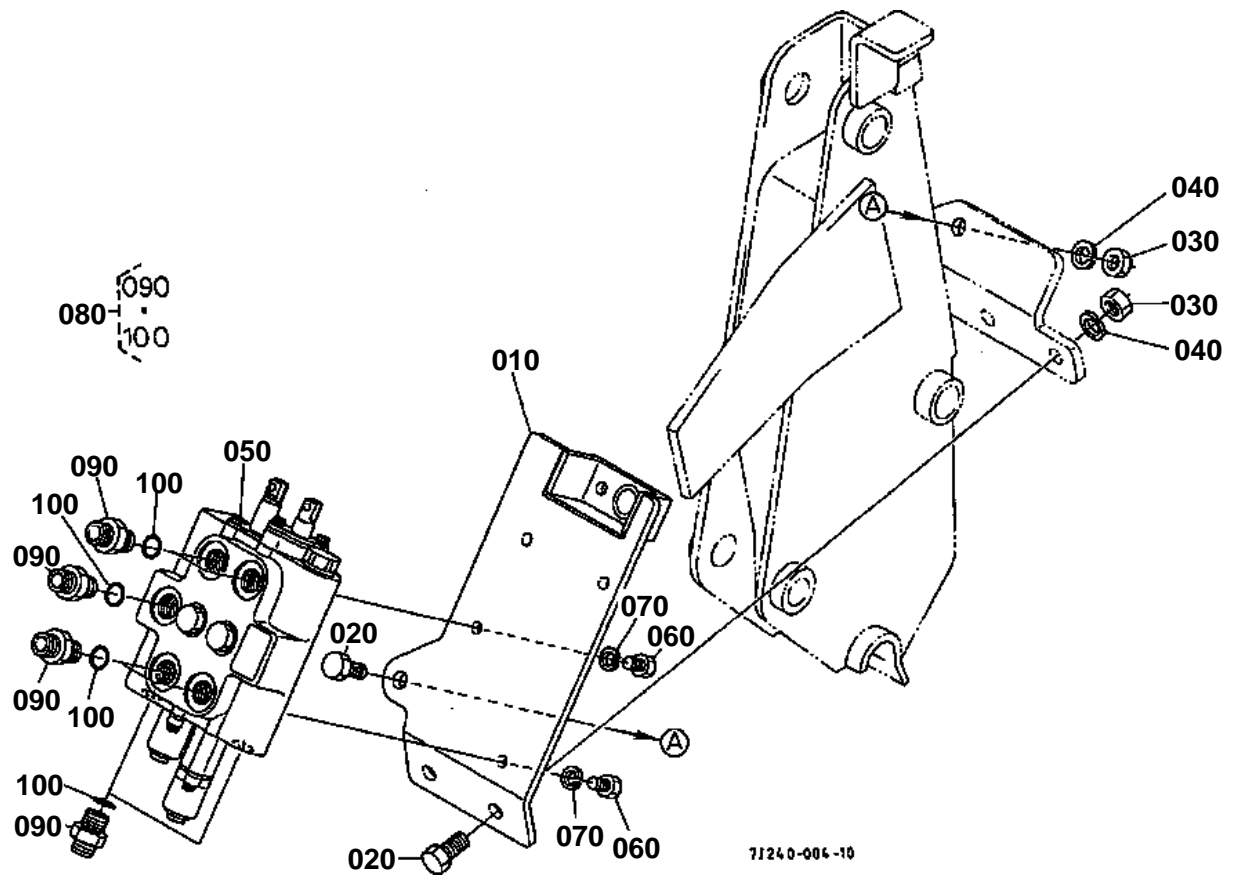
**BOOM**

↔ Interchangeable; ≠ not interchangeable; ← new for old; → old for new

REF.No	Part No.	Description	Q'ty	S.No.	I/C	REMARKS	Weight (kgf)	Weight (lb)
010	7J260-57550	STAND LH	1				0	0
020	7J260-57560	STAND RH	1				0	0
030	75595-11550	PIN SPRING LOCK	2				0	0
040	7J240-57650	PIN	2				0	0
050	75599-41525	CIR-CRIP EXTERNAL	4			(3/4)	0	0
060	7J260-58010	BOOM	1				0	0
070	75532-63470	FITTING GREASE	2			(90DEG.)	0	0
080	75580-58452	LABEL KUBOTA	2				0	0
090	7J260-58460	LABEL LA681	2				0	0
100	75545-58510	PIN 1	2				0	0
110	75545-58610	PIN 2	2				0	0
120	75545-58713	PIN 3	4				0	0
130	75599-81520	FITTING GREASE	4			(1/4-28T.T.)	0	0
140	75548-58740	PIN 4	2				0	0
150	75554-58770	PIN 5	2				0	0
160	75599-03145	HEX.BOLT	12			(1/4-20UNC*2-1/4)	0	0
170	75599-31910	NUT LOCKING	12			(1/4-20UNC)	0	0
180	75556-59010	BUCKET 60	1				0	0
190	75550-59320	EDGE CUTTING	1				0	0
200	75551-59390	EDGE SIDE CUTTING	2				0	0
210	75540-59450	LABEL LEVELER	1				0	0



CONTROL VALVE



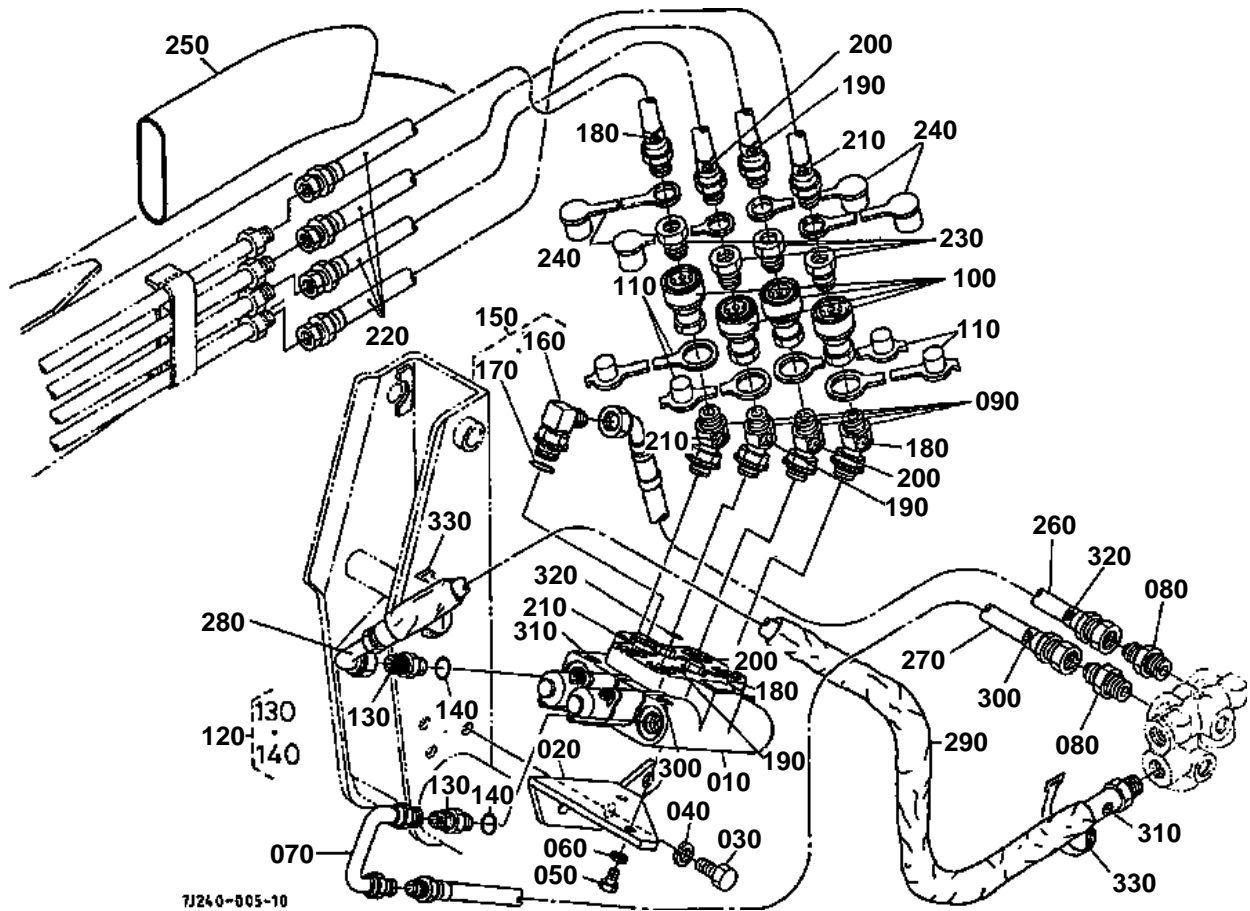


**CONTROL VALVE**  
[STANDARD VALVE TYPE (L2085)]

↔ Interchangeable; ≠ not interchangeable; ← new for old; → old for new

REF.No	Part No.	Description	Q'ty	S.No.	I/C	REMARKS	Weight (kgf)	Weight (lb)
010	7J240-61110	STAY VALVE	1				0	0
020	75599-03525	HEX.BOLT	3			(1/2-13UNC*1-1/4)	0	0
030	75599-31015	HEX.NUT	3			(1/2-13UNC)	0	0
040	75599-33015	WASHER SPRING LOCK	3			(1/2)	0	0
050	7J240-61010	VALVE CONTROL	1			REFER TO L. No. B07-L FOR COMPONENTS.	0	0
060	75599-01115	HEX.BOLT	2			(1/4-20UNC*3/4)	0	0
070	75599-33010	WASHER SPRING LOCK	2			(1/4)	0	0
080	75580-61800	ASSY ADAPTER 1	7				0	0
090	75580-61810	ADAPTER 1	7				0	0
100	75540-61820	O-RING	7				0	0

CONTROL VALVE



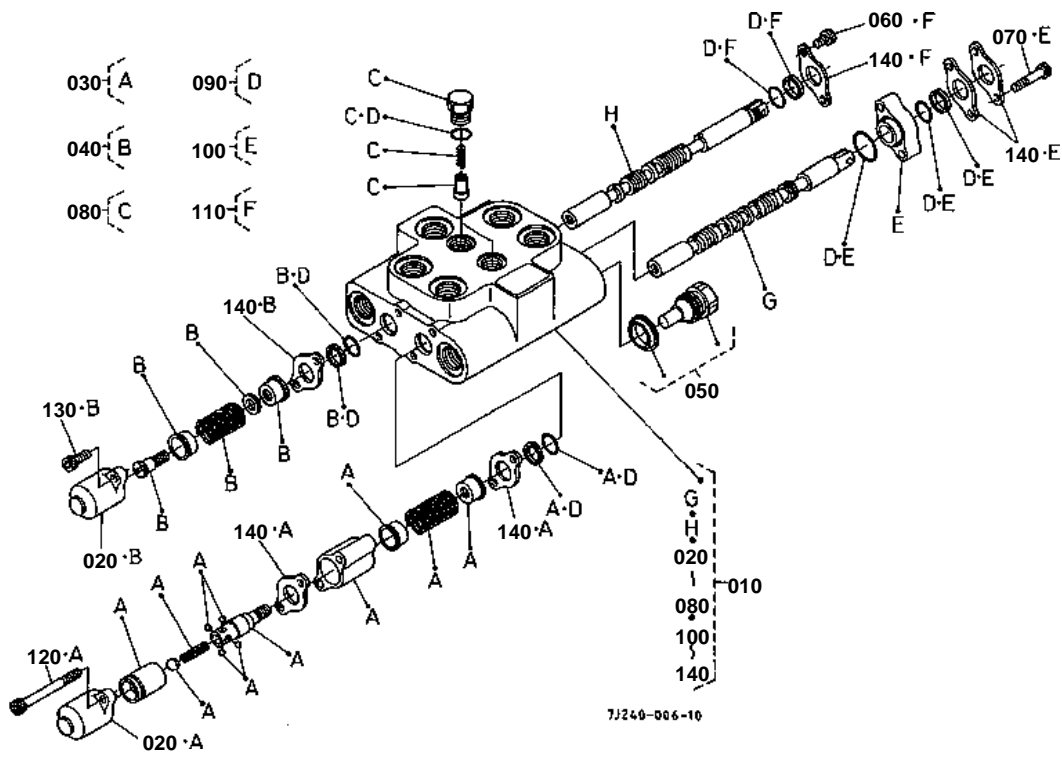


**CONTROL VALVE**  
[REMOTE VALVE TYPE (L2086)]

↔ Interchangeable; ≠ not interchangeable; ← new for old; → old for new

REF.No	Part No.	Description	Q'ty	S.No.	I/C	REMARKS	Weight (kgf)	Weight (lb)
010	75532-62010	VALVE CONTROL	1			REFER TO L. No. B07-R FOR COMPONENTS.	0	0
020	7J240-71110	STAY VALVE	1				0	0
030	75599-03525	HEX.BOLT	2			(1/2-13UNC*1-1/4)	0	0
040	75599-33015	WASHER SPRING LOCK	2			(1/2)	0	0
050	75599-01115	HEX.BOLT	2			(1/4-20UNC*3/4)	0	0
060	75599-33010	WASHER SPRING LOCK	2			(1/4)	0	0
070	7J240-76430	TUBE PUMP	1				0	0
080	75582-66810	ADAPTER 1	2				0	0
090	75553-71810	ELBOW 45	4				0	0
100	75540-66320	COUPLER	4				0	0
110	75540-66330	PLUG DUST	4				0	0
120	75580-61800	ASSY ADAPTER 1	2				0	0
130	75580-61810	ADAPTER 1	2				0	0
140	75540-61820	O-RING	2				0	0
150	75560-61950	ASSY ELBOW 2 ADJUST.	1				0	0
160	75560-61960	ELBOW 2 ADJUSTABLE	1				0	0
170	75540-61820	O-RING	1				0	0
180	75540-64950	MARK WHITE	3				0	0
190	75540-64960	MARK YELLOW	3				0	0
200	75540-64970	MARK BLUE	3				0	0
210	75540-64980	MARK RED	3				0	0
220	7J240-76110	HOSE 1 HYDRAULIC	4				0	0
230	75540-66220	NIPPLE	4				0	0
240	75540-66430	CAP DUST	4				0	0
250	75590-64580	SLEEVE	1				0	0
260	7J240-76210	HOSE 4 HYDRAULIC	1				0	0
270	7J240-76410	HOSE 6 HYDRAULIC	1				0	0
280	7J240-76512	HOSE 7 HYDRAULIC	1				0	0
290	7J240-76550	SLEEVE	1				0	0
300	75580-68950	MARK ORANGE	2				0	0
310	75580-68960	MARK GRAY	2				0	0
320	75580-68970	MARK GREEN	2				0	0
330	75590-64650	BAND CORD	2				0	0

CONTROL VALVE [COMPONENT PARTS]



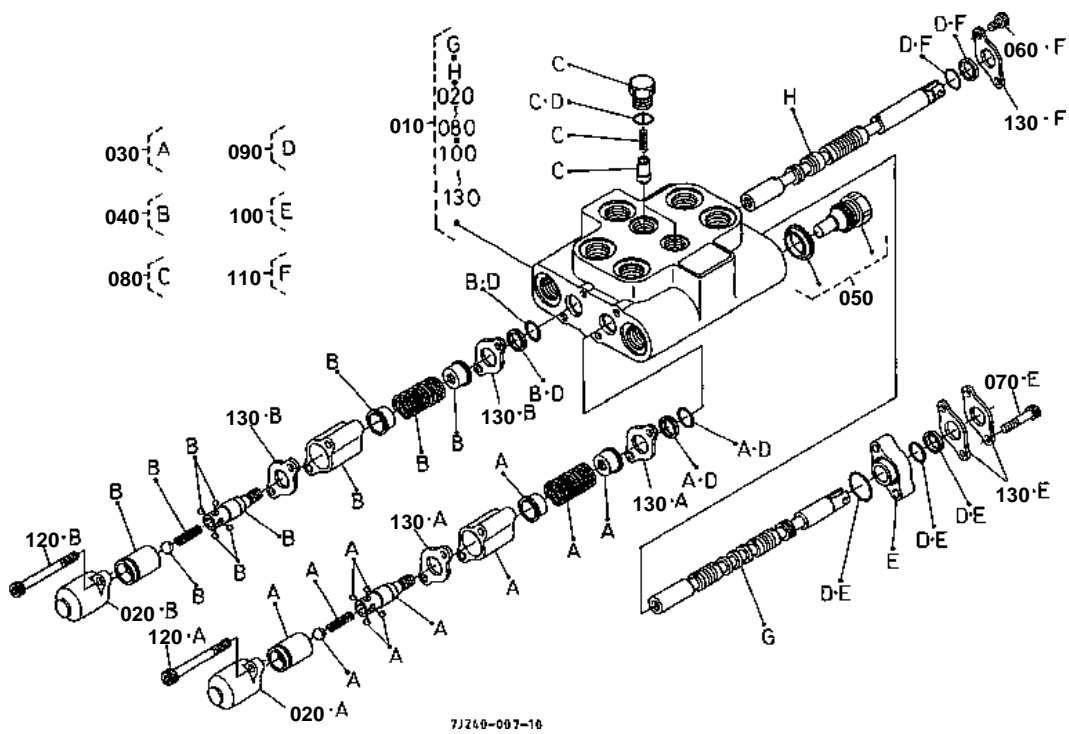


**CONTROL VALVE [COMPONENT PARTS]**  
[STANDARD VALVE TYPE (L2085)]

↔ Interchangeable; ≠ not interchangeable; ← new for old; → old for new

REF.No	Part No.	Description	Q'ty	S.No.	I/C	REMARKS	Weight (kgf)	Weight (lb)
010	7J240-61010	VALVE CONTROL	1				0	0
020	75540-61450	CAP SPOOL	2			(5028)	0	0
030	75536-65400	KIT DETENT FLOAT	1			(59221)	0	0
040	7J240-65100	KIT REGEN.	1			(59243)	0	0
050	75546-65100	ASSY SHUT-OFF PLUG	1			(52610)	0	0
060	75536-65700	CAP SCREW-SOC.HD.	2			(3386)	0	0
070	75540-61410	CAP SCREW-SOC.HD.	2			(3424)	0	0
080	75536-65200	KIT LOAD CHECK	2			(59238)	0	0
090	75536-65300	KIT SEAL	1			(59239)	0	0
100	75536-65500	KIT UPPER BOOM SPOOL	1			(59223)	0	0
110	75536-65600	KIT UPPER BKT.SPOOL	1			(59224)	0	0
120	75536-65900	CAP SCREW-SOC.HD.	2			(5217)	0	0
130	75540-61460	CAP SCREW-SOC.HD.	2			(5035)	0	0
140	75540-61330	PLATE-SEAL	6			(5012)	0	0

CONTROL VALVE [COMPONENT PARTS]





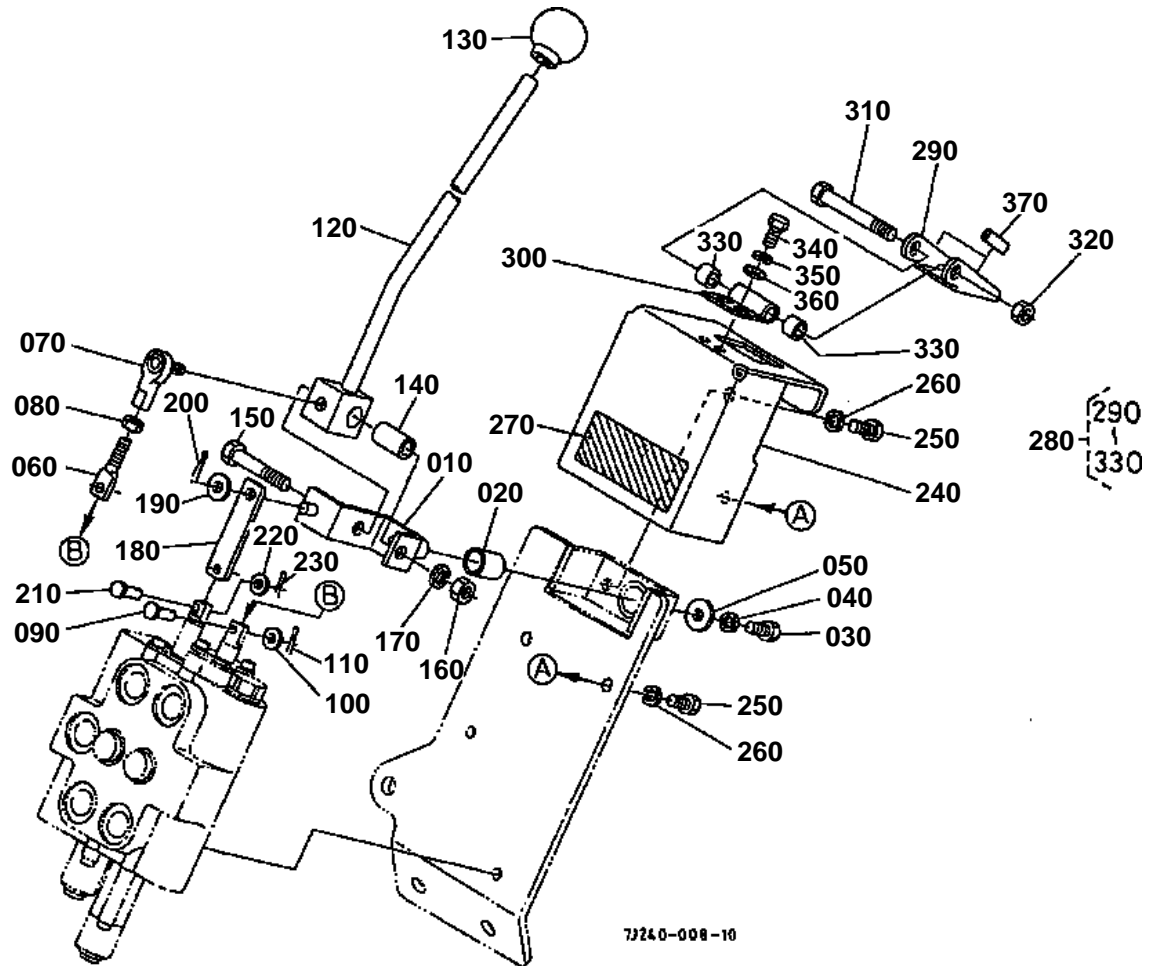
**CONTROL VALVE [COMPONENT PARTS]**  
[REMOTE VALVE TYPE (L2086)]

↔ Interchangeable; ≠ not interchangeable; ← new for old; → old for new

REF.No	Part No.	Description	Q'ty	S.No.	I/C	REMARKS	Weight (kgf)	Weight (lb)
010	75532-62010	VALVE CONTROL	1				0	0
020	75540-61450	CAP SPOOL	2			(5028)	0	0
030	75536-65400	KIT DETENT FLOAT	1			(59221)	0	0
040	75536-65100	KIT DETENT REGEN.	1			(59222)	0	0
050	75546-65100	ASSY SHUT-OFF PLUG	1			(52610)	0	0
060	75536-65700	CAP SCREW-SOC.HD.	2			(3386)	0	0
070	75540-61410	CAP SCREW-SOC.HD.	2			(3424)	0	0
080	75536-65200	KIT LOAD CHECK	2			(59238)	0	0
090	75536-65300	KIT SEAL	1			(59239)	0	0
100	75536-65500	KIT UPPER BOOM SPOOL	1			(59223)	0	0
110	75536-65600	KIT UPPER BKT.SPOOL	1			(59224)	0	0
120	75536-65900	CAP SCREW-SOC.HD.	4			(5217)	0	0
130	75540-61330	PLATE-SEAL	7			(5012)	0	0



CONTROL LEVER



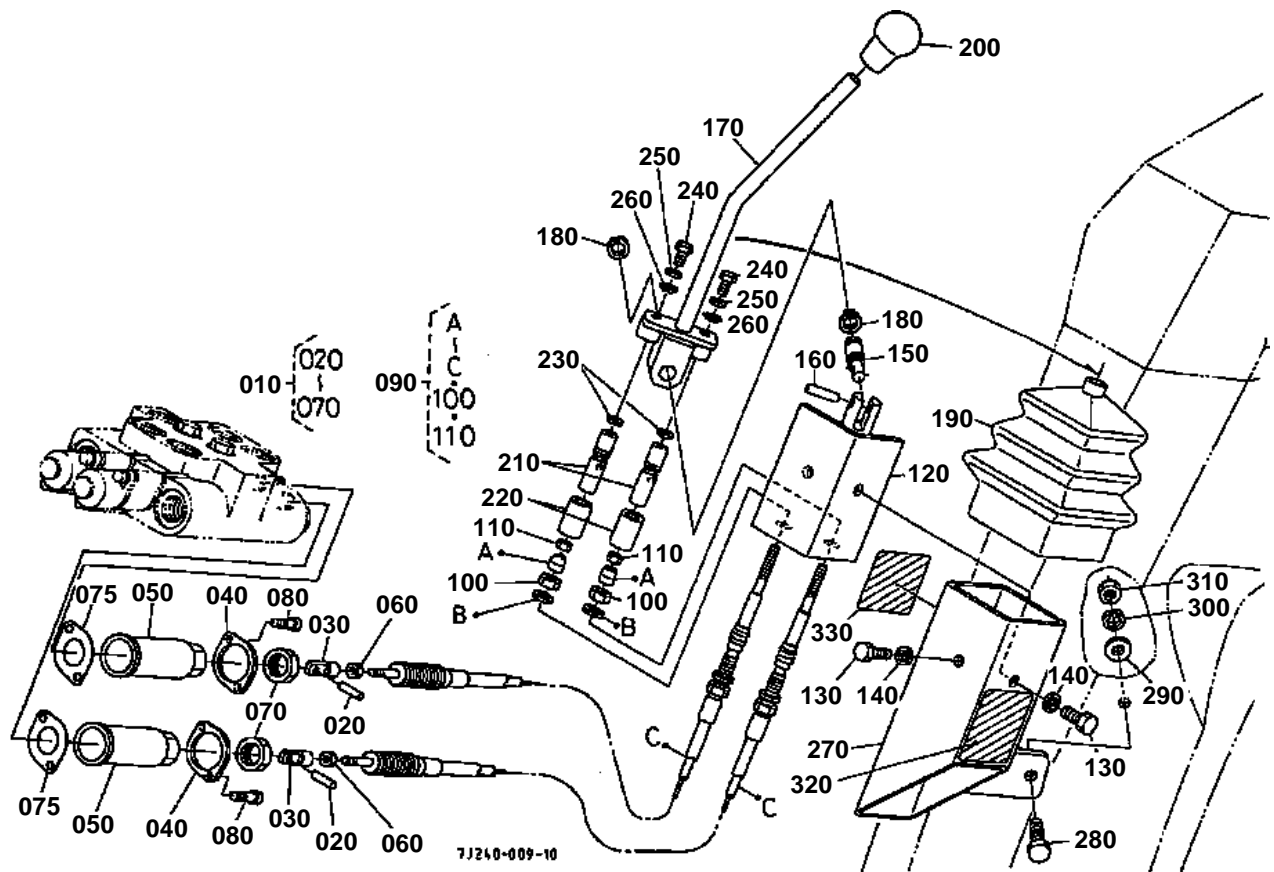


**CONTROL LEVER**  
[STANDARD VALVE TYPE (L2085)]

↔ Interchangeable; ≠ not interchangeable; ← new for old; → old for new

REF.No	Part No.	Description	Q'ty	S.No.	I/C	REMARKS	Weight (kgf)	Weight (lb)
010	7J240-62110	LEVER	1				0	0
020	7J240-62140	BUSHING	1			(5/8*1.00)	0	0
030	75599-01215	HEX.BOLT	1			(5/16-18UNC*3/4)	0	0
040	75599-33012	WASHER SPRING LOCK	1			(5/16)	0	0
050	75599-32112	WASHER PLAIN	1			(5/16W)	0	0
060	75536-62160	ROD 1	1				0	0
070	75532-62260	JOINT ROD END	1				0	0
080	75599-31022	HEX.NUT	1			(5/16-24UNF)	0	0
090	75540-62190	PIN	1				0	0
100	75599-32009	WASHER PLAIN	1			(13/64)	0	0
110	75599-53110	PIN COTTER	1			(1/32*1/2)	0	0
120	7J240-62210	LEVER CONTROL	1				0	0
130	31355-82520	GRIP LEVER	1				0.05	0.11
140	75595-72150	SLEEVE	1				0	0
150	75599-04340	HEX.BOLT	1			(3/8-24UNF*2)	0	0
160	75599-31023	HEX.NUT	1			(3/8-24UNF)	0.006	0.0132
170	75599-33013	WASHER SPRING LOCK	1			(3/8)	0	0
180	7J240-62280	PLATE SPOOL 2	1				0	0
190	75599-32012	WASHER PLAIN	1			(5/16)	0.002	0.0044
200	75599-53152	PIN COTTER	1			(3/32*3/4)	0	0
210	75540-62190	PIN	1				0	0
220	75599-32009	WASHER PLAIN	1			(13/64)	0	0
230	75599-53110	PIN COTTER	1			(1/32*1/2)	0	0
240	7J240-62310	COVER	1				0	0
250	75599-01215	HEX.BOLT	3			(5/16-18UNC*3/4)	0	0
260	75599-33012	WASHER SPRING LOCK	3			(5/16)	0	0
270	75540-62362	LABEL CONTROL	1				0	0
280	75548-62400	ASSY LIMITER	1				0	0
290	75540-62410	PLATE LIMITER	1				0	0
300	75548-62420	HINGE	1				0	0
310	75599-01255	HEX.BOLT	1			(5/16-18UNC*2-3/4)	0	0
320	75599-31912	NUT LOCKING	1			(5/16-18UNC)	0	0
330	75548-62440	CUSHION RUBBER	2				0	0
340	75599-01212	HEX.BOLT	2			(5/16-18UNC*5/8)	0	0
350	75599-33012	WASHER SPRING LOCK	2			(5/16)	0	0
360	75599-32012	WASHER PLAIN	2			(5/16)	0.002	0.0044
370	75540-62450	CUSHION 1 RUBBER	2				0	0

# CONTROL LEVER

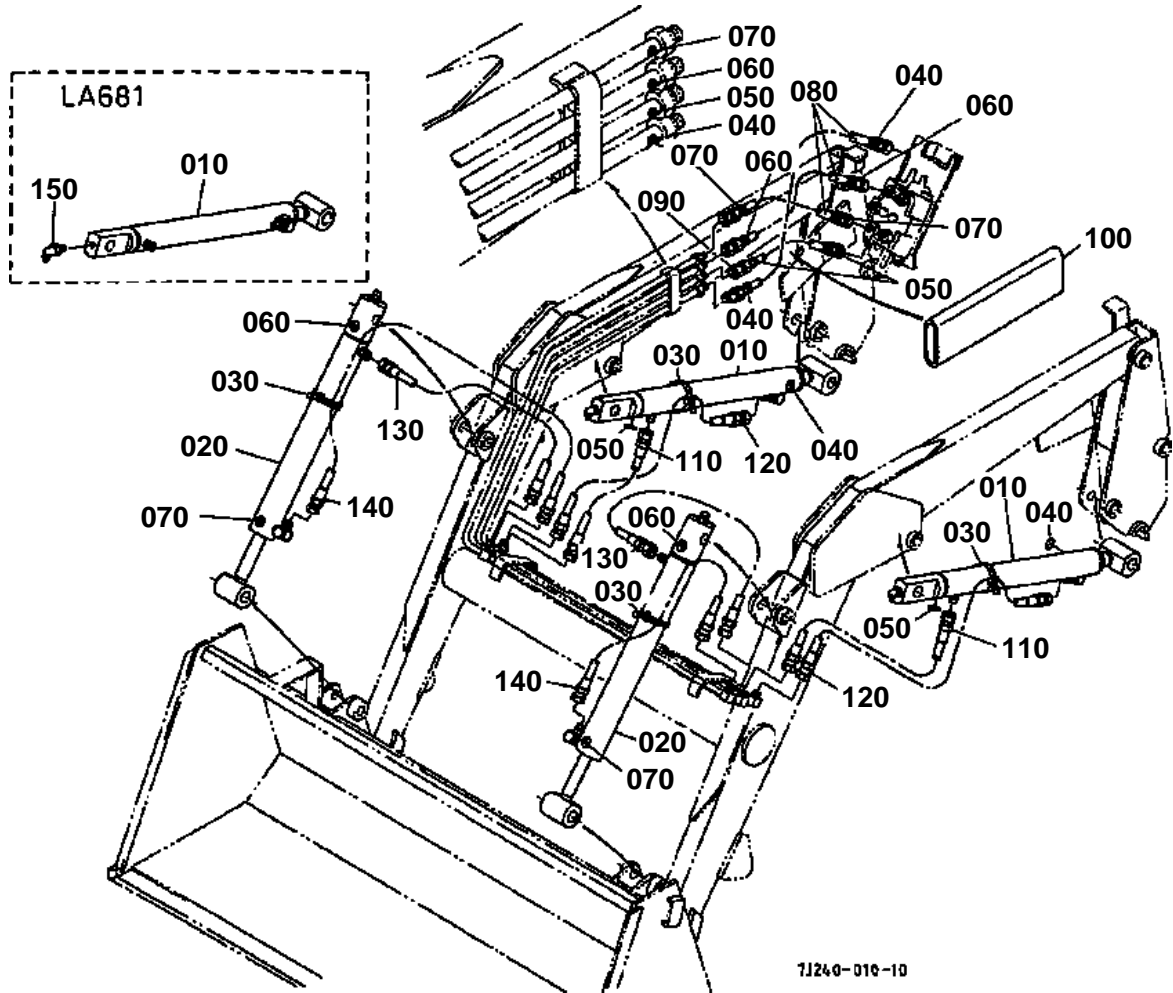




**CONTROL LEVER**  
[REMOTE VALVE TYPE (L2086)]

↔ Interchangeable; ≠ not interchangeable; ← new for old; → old for new

REF.No	Part No.	Description	Q'ty	S.No.	I/C	REMARKS	Weight (kgf)	Weight (lb)
010	75553-77110	KIT CABLE END	2				0	0
020	75553-77120	CLEVISPIN	2				0	0
030	75553-77130	TERMINAL EYE	2				0	0
040	75553-77140	FLANGE	2				0	0
050	75553-77150	SLEEVE	2				0	0
060	75599-31040	HEX.JAM NUT	2			(1/4-28UNF)	0	0
070	75599-31048	HEX.JAM NUT	2			(3/4-16UNF)	0	0
075	7J240-77170	GASKET	2				0	0
080	75599-17130	SCREW S.H.	4			(1/4UNC*1-1/2)	0	0
090	75548-77212	CABLE SAE	2			(45)	0	0
100	75599-31047	HEX.JAM NUT	2			(5/8-18UNF)	0	0
110	75599-31040	HEX.JAM NUT	2			(1/4-28UNF)	0	0
120	75548-77500	COMP.CONTROLLER	1				0	0
130	75599-01212	HEX.BOLT	2			(5/16-18UNC*5/8)	0	0
140	75599-33012	WASHER SPRING LOCK	2			(5/16)	0	0
150	75545-77550	ROD PIVOT	1				0	0
160	75599-54717	PIN DOWEL	1			(1/4*7/8)	0	0
170	7J240-77610	LEVER CONTROL	1				0	0
180	75599-41519	CIR-CRIP EXTERNAL	2			(1/2)	0	0
190	75545-77650	BOOT	1				0	0
200	31355-82520	GRIP LEVER	1				0.05	0.11
210	75548-77660	U JOINT	2				0	0
220	75536-77670	BOOT U-JOINT	2				0	0
230	75599-32010	WASHER PLAIN	2			(1/4)	0	0
240	75599-26113	SCREW S.B.H	2			(1/4-28*5/8)	0	0
250	75599-33010	WASHER SPRING LOCK	2			(1/4)	0	0
260	75599-33510	WASHER TOOTH LOCK	2			(1/4)	0	0
270	7J240-77700	COMP.STAND	1				0	0
280	75599-01220	HEX.BOLT	3			(5/16-18UNC*1)	0	0
290	75599-32112	WASHER PLAIN	3			(5/16W)	0	0
300	75599-33012	WASHER SPRING LOCK	3			(5/16)	0	0
310	75599-31012	HEX.NUT	3			(5/16-18UNC)	0	0
320	75540-62362	LABEL CONTROL	1				0	0
330	7J240-78210	LABEL MODEL	1				0	0



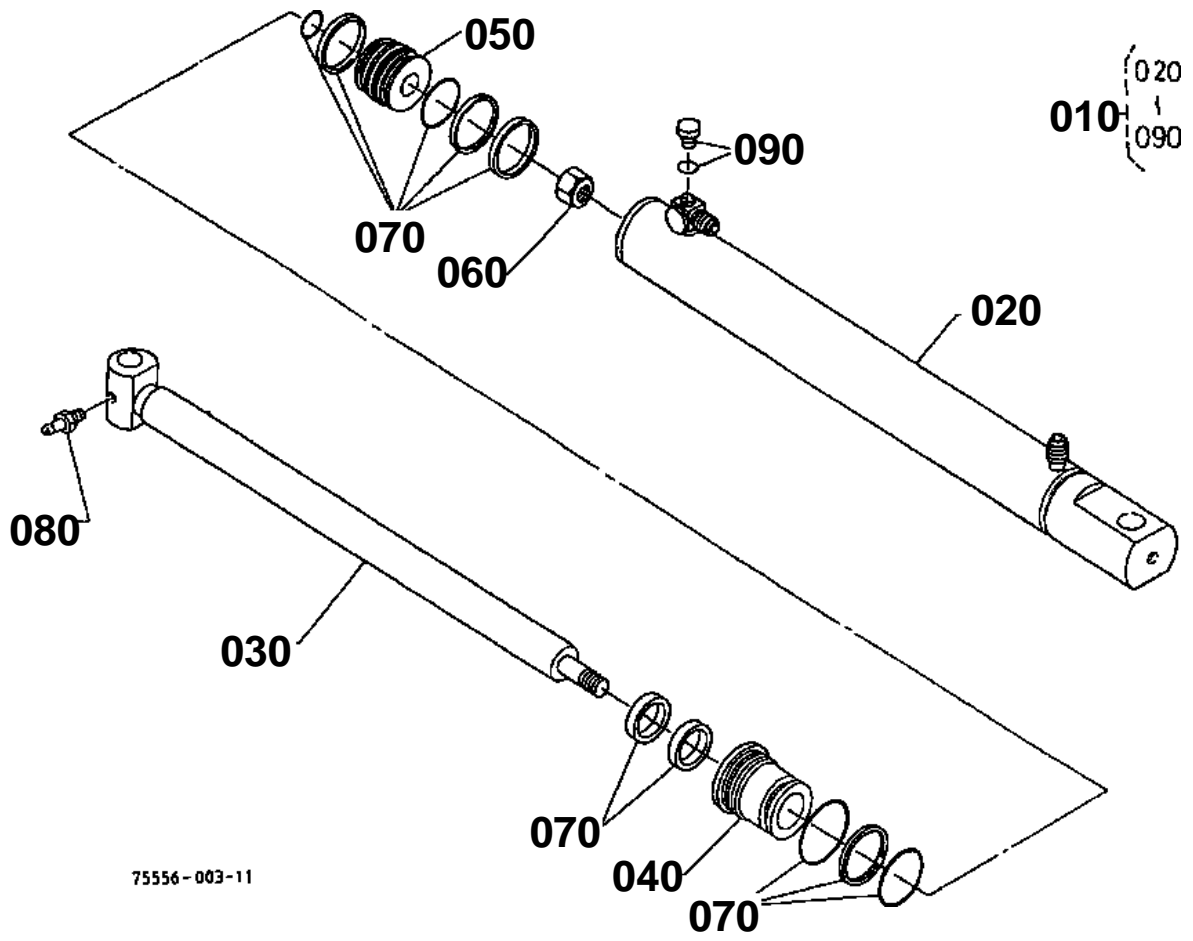


CYLINDER / HYDRAULIC HOSE

↔ Interchangeable; ≠ not interchangeable; ← new for old; → old for new

REF.No	Part No.	Description	Q'ty	S.No.	I/C	REMARKS	Weight (kgf)	Weight (lb)
010	75556-63110	CYLINDER 1	2			REFER TO L. No. B11-L FOR COMPONENTS. REFER TO L. No. B12-L FOR COMPONENTS.	0	0
020	75554-64110	CYLINDER 2	2				0	0
030	75590-64650	BAND CODE	4				0	0
040	75540-64950	MARK WHITE	5				0	0
050	75540-64960	MARK YELLOW	5				0	0
060	75540-64970	MARK BLUE	5				0	0
070	75540-64980	MARK RED	5				0	0
080	7J240-66110	HOSE 1 HYDRAULIC	3			STANDARD VALVE TYPE (L2085)	0	0
090	7J240-66120	HOSE 2 HYDRAULIC	1			STANDARD VALVE TYPE (L2085)	0	0
100	7J240-66140	SLEEVE(18.0)	1			STANDARD VALVE TYPE (L2085)	0	0
110	75545-66610	HOSE 8 HYDRAULIC	2				0	0
120	7J260-66620	HOSE 9 HYDRAULIC	2				0	0
130	75545-66630	HOSE 10 HYDRAULIC	2				0	0
140	75542-66640	HOSE 11 HYDRAULIC	2				0	0
150	75532-63470	FITTING GREASE	2			(90DEG.)	0	0

CYLINDER (BOOM) [COMPONENT PARTS]



75556-003-11



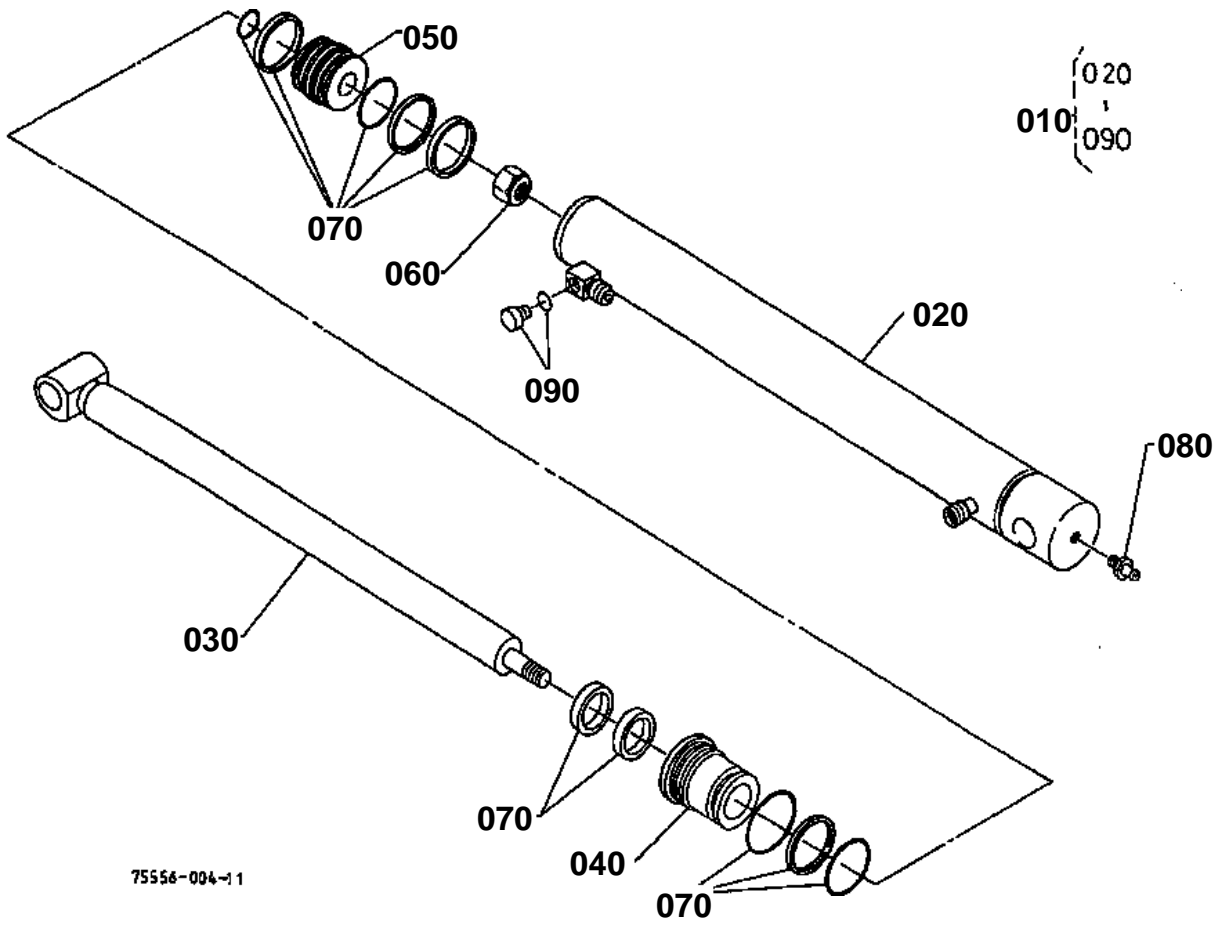
# CYLINDER (BOOM) [COMPONENT PARTS]

↔ Interchangeable; ≠ not interchangeable; ← new for old; → old for new

REF.No	Part No.	Description	Q'ty	S.No.	I/C	REMARKS	Weight (kgf)	Weight (lb)
010	75556-63110	CYLINDER 1	2				0	0
020	75556-63300	TUBE 1 COMP	2				0	0
030	75556-63500	ROD 1 COMP	2				0	0
040	75554-64410	HEAD	2				0	0
050	75554-64430	PISTON 1	2				0	0
060	75545-64460	NUT	2			(5/8-18UNFP)	0	0
070	75554-64600	KIT SEAL	2				0	0
080	75599-81530	FITTING GREASE	2			(1/8-27PTF)	0	0
090	75540-63490	PLUG	2				0	0



CYLINDER (BUCKET) [COMPONENT PARTS]



75556-004-11

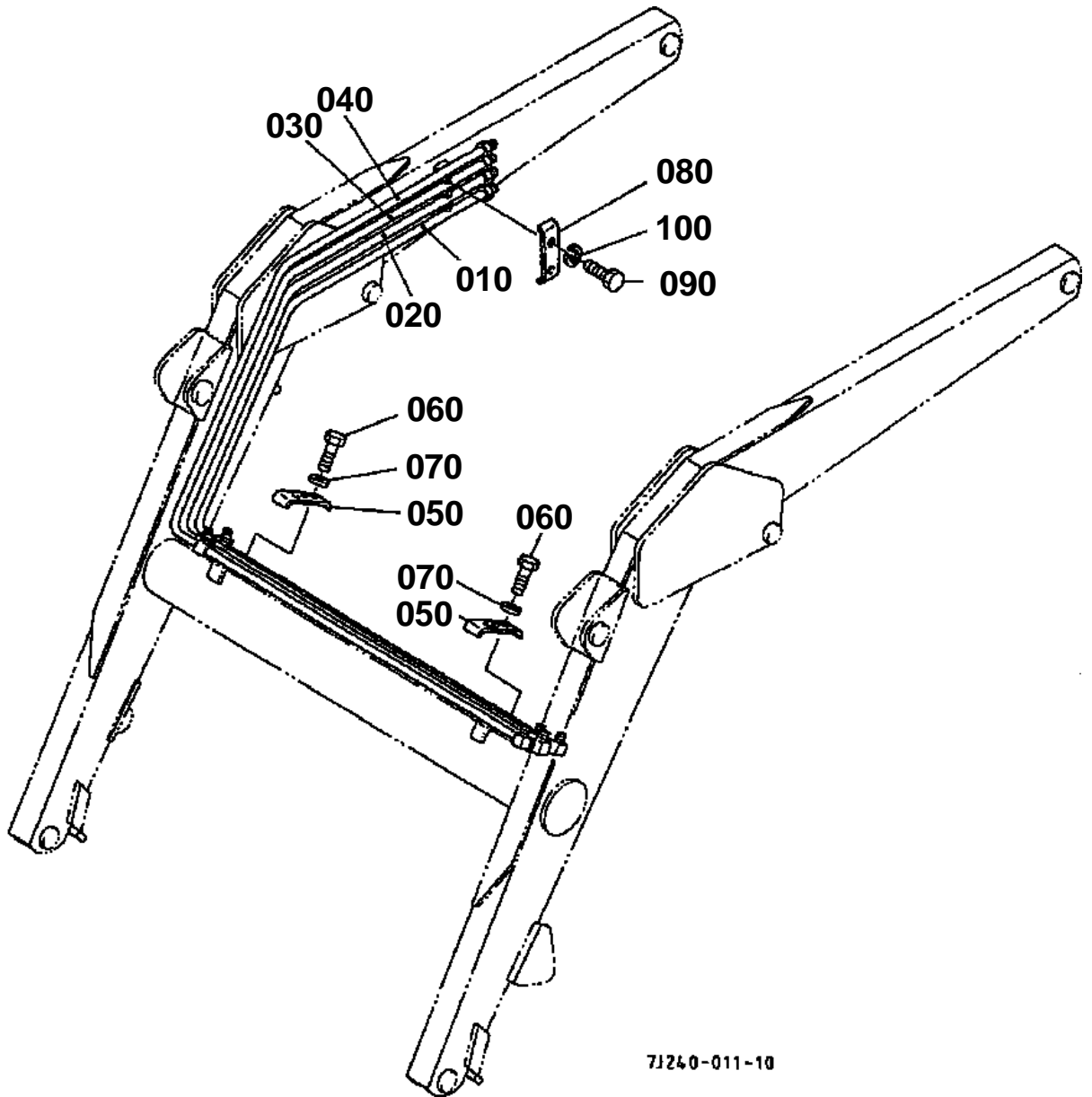


## CYLINDER (BUCKET) [COMPONENT PARTS]

↔ Interchangeable; ≠ not interchangeable; ← new for old; → old for new

REF.No	Part No.	Description	Q'ty	S.No.	I/C	REMARKS	Weight (kgf)	Weight (lb)
010	75554-64110	CYLINDER 2	2				0	0
020	75554-64300	TUBE 2 COMP	2				0	0
030	75554-64500	ROD 2 COMP	2				0	0
040	75554-64410	HEAD	2				0	0
050	75554-64430	PISTON 1	2				0	0
060	75545-64460	NUT	2			(5/8-18UNFP)	0	0
070	75554-64600	KIT SEAL	2				0	0
080	75599-81530	FITTING GREASE	2			(1/8-27PTF)	0	0
090	75540-63490	PLUG	2				0	0

HYDRAULIC TUBE



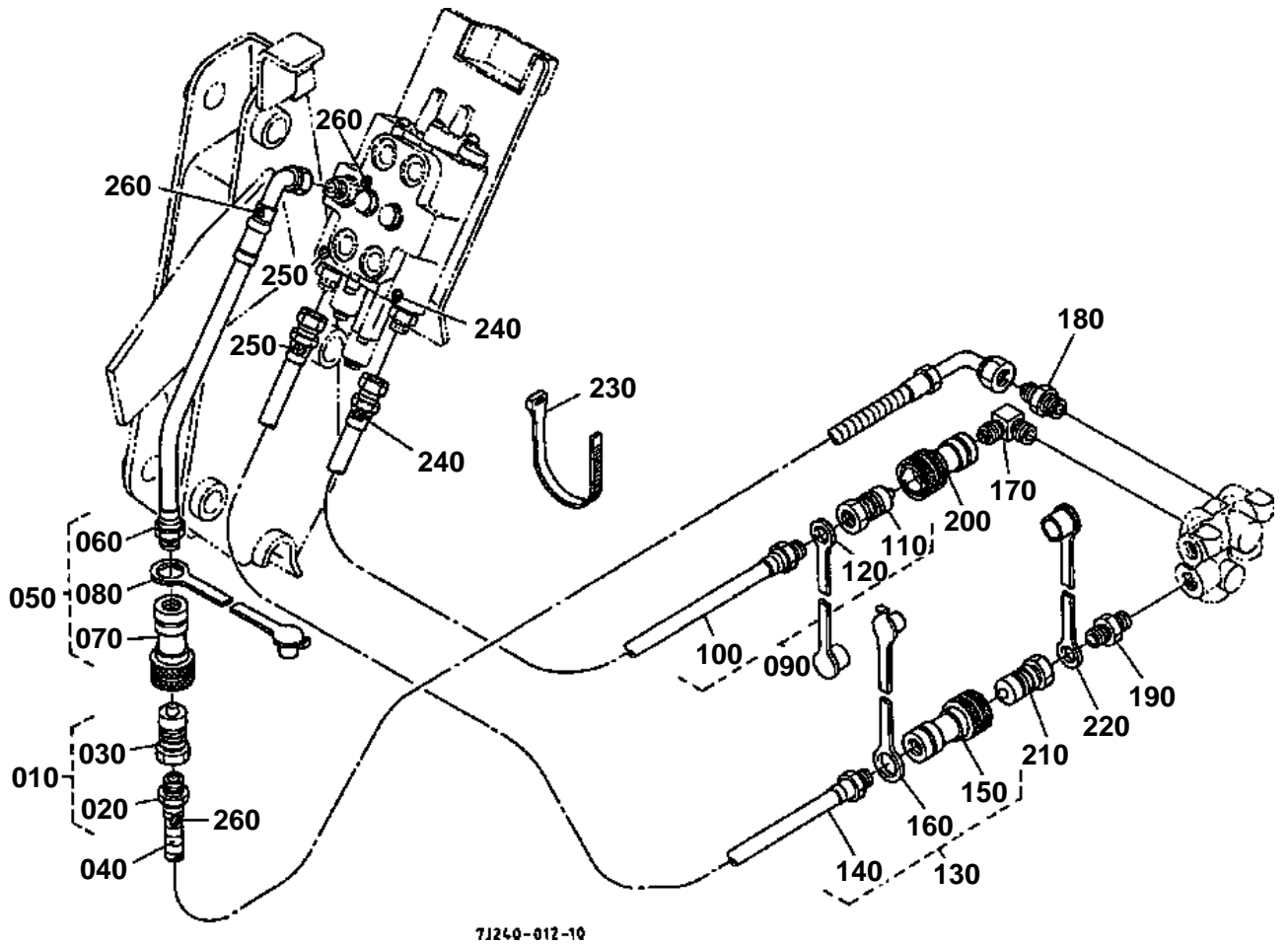


## HYDRAULIC TUBE

↔ Interchangeable; ≠ not interchangeable; ← new for old; → old for new

REF.No	Part No.	Description	Q'ty	S.No.	I/C	REMARKS	Weight (kgf)	Weight (lb)
010	75550-65110	TUBE 1 HYDRAULIC	1				0	0
020	75550-65210	TUBE 2 HYDRAULIC	1				0	0
030	75550-65310	TUBE 3 HYDRAULIC	1				0	0
040	75554-65410	TUBE 4 HYDRAULIC	1				0	0
050	75540-65510	CLAMP 1	2				0	0
060	75599-01220	HEX.BOLT	4			(5/16-18UNC*1)	0	0
070	75599-33012	WASHER SPRING LOCK	4			(5/16)	0	0
080	75540-65530	CLAMP 2	1				0	0
090	75599-01220	HEX.BOLT	2			(5/16-18UNC*1)	0	0
100	75599-33012	WASHER SPRING LOCK	2			(5/16)	0	0

HYDRAULIC HOSE



71240-012-10



**HYDRAULIC HOSE**  
[STANDARD VALVE TYPE (L2085)]

↔ Interchangeable; ≠ not interchangeable; ← new for old; → old for new

REF.No	Part No.	Description	Q'ty	S.No.	I/C	REMARKS	Weight (kgf)	Weight (lb)
010	75548-66200	ASSY HOSE 4 HYD.	1				0	0
020	75548-66210	HOSE 4 HYDRAULIC	1				0	0
030	75540-66220	NIPPLE	1				0	0
040	75548-66250	GUARD HOSE	1				0	0
050	7J240-66300	ASSY HOSE 5 HYD.	1				0	0
060	7J240-66310	HOSE 5 HYDRAULIC	1				0	0
070	75540-66320	COUPLER	1				0	0
080	75540-66330	PLUG DUST	1				0	0
090	7J240-66400	ASSY HOSE 6 HYD.	1				0	0
100	7J240-66410	HOSE 6 HYDRAULIC	1				0	0
110	75540-66220	NIPPLE	1				0	0
120	75540-66430	CAP DUST	1				0	0
130	7J240-66500	ASSY HOSE 7 HYD.	1				0	0
140	7J240-66510	HOSE 7 HYDRAULIC	1				0	0
150	75540-66320	COUPLER	1				0	0
160	75540-66330	PLUG DUST	1				0	0
170	75540-66810	ADAPTER 2	1				0	0
180	75582-66810	ADAPTER 1	1				0	0
190	75590-64160	ADAPTER PT	1				0	0
200	75540-66320	COUPLER	1				0	0
210	75540-66220	NIPPLE	1				0	0
220	75540-66430	CAP DUST	1				0	0
230	75590-64650	BAND CORD	1				0	0
240	75580-68950	MARK ORANGE	2				0	0
250	75580-68960	MARK GRAY	2				0	0
260	75580-68970	MARK GREEN	3				0	0



## ACCESSORIES AND SERVICE PARTS

↔ Interchangeable; ≠ not interchangeable; ← new for old; → old for new

REF.No	Part No.	Description	Q'ty	S.No.	I/C	REMARKS	Weight (kgf)	Weight (lb)
010	7J240-69110	OPERATOR'S MANUAL	1				0	0
020	7J240-99910	PARTS LIST	1				0	0
030	7J240-99920	WORKSHOP MANUAL	1				0	0
040	7J240-99930	FLAT-RATE SCHEDULE	1				0	0