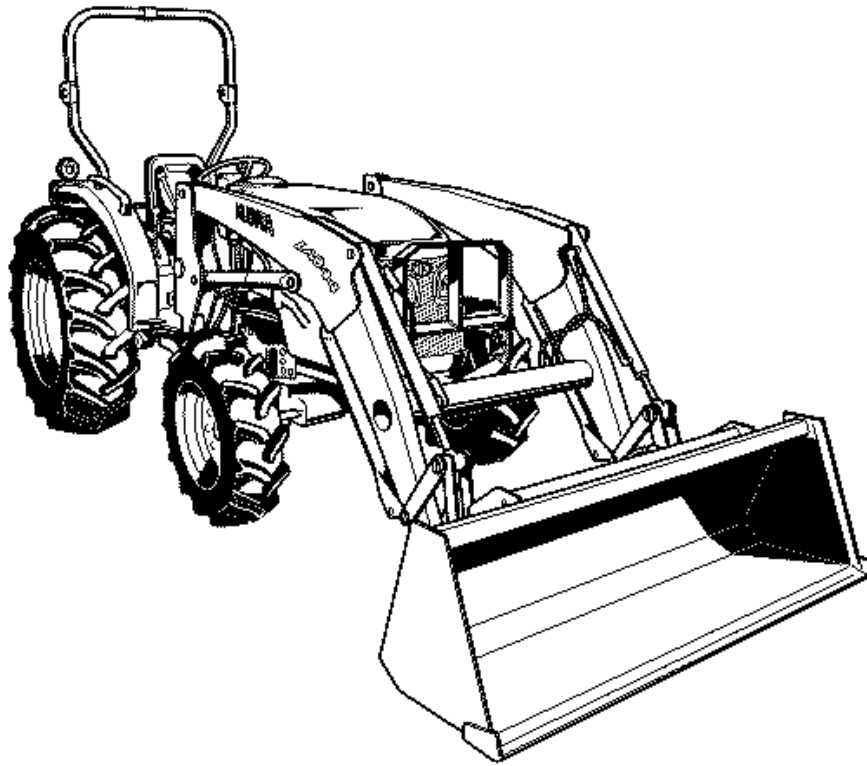


LA844

Figure Num LA844



Instructions for Parts Books

The heading at the top of the page will be the same for the picture of the parts as it is for the page with the part numbers.

Definition of column headings on part number pages:

REF.No → The number referring to the part on the picture page of the parts book.

Part No. → The number assigned to this part at the time of printing the parts book.

Part Name → Description of part.

Q'ty → Quantity of part used on that page.

S.No. → Serial number range of the equipment that this part will fit.

>= Your serial number should be greater than or equal to the number shown.

<= Your serial number should be lesser than or equal to the serial number shown.

I/C → Interchangeability of part shown.

= The part shown will work for the older and later serial number.

NI The part shown is not interchangeable with the other serial number.

Remarks → Notes about this particular part. Sometimes this may say except [FR] or [CA]

Note about Country Codes:

The parts books we use in the United States of America may also contain information about a part that would be

different in another country. It is important that you are aware of the country codes in some instances.

Symbol Country

A United States of America

CA Canada

FR France

GR Greece

PO Portugal

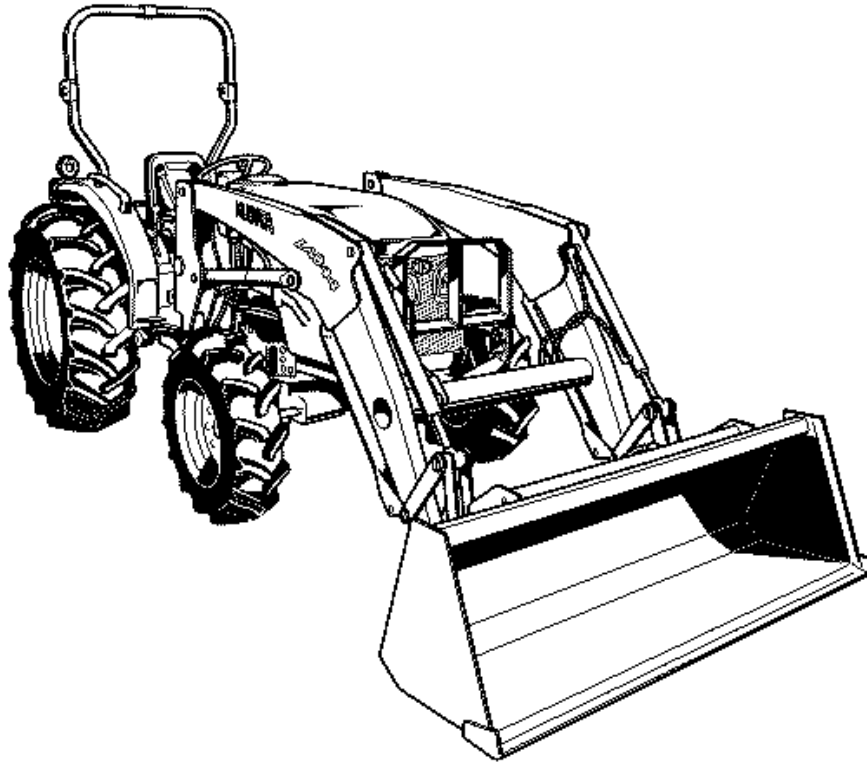
AU Australia

If the remarks column says for example EXCEPT [FR] this part works in all countries except France.

That means it will work here in the USA.

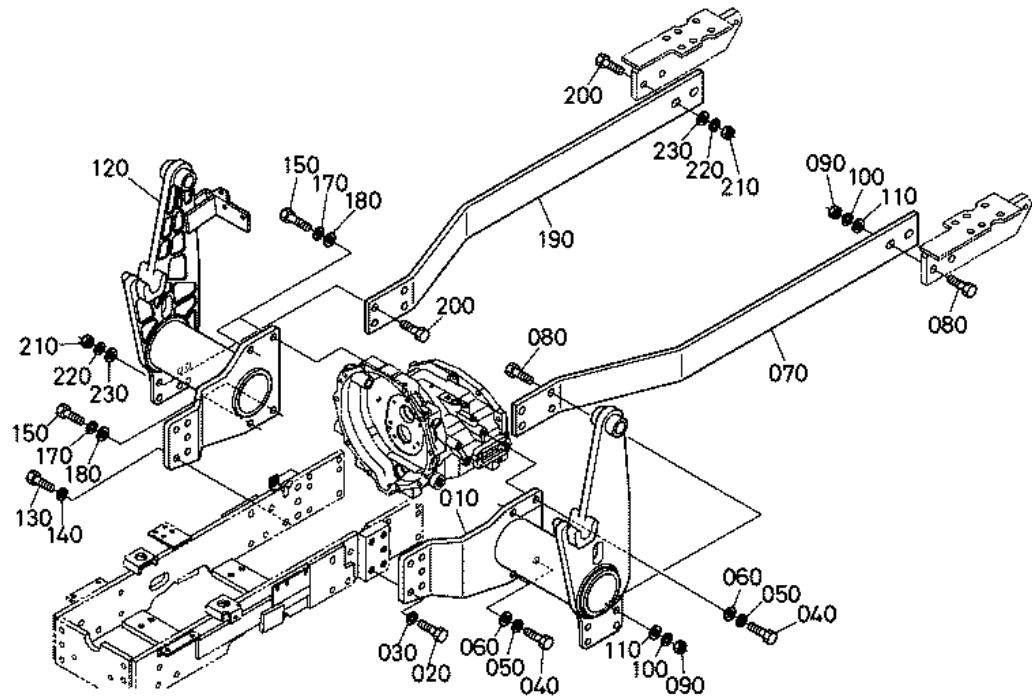
frame

Figure Num FRAME



MAIN FRAME

Figure Num 01A00100



7J276-001-12

MAIN FRAME

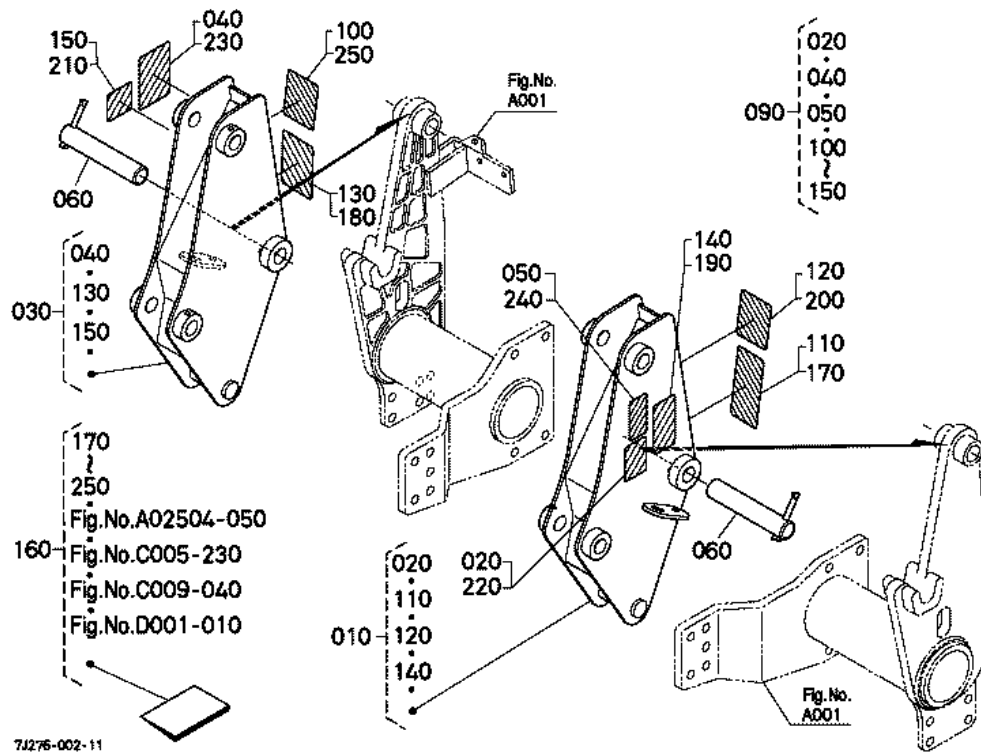
Ref	Part Number	Part Name	Qty	IC	S/N	Lbs	Remarks
010	7J275-55013	FRAME,MAIN LH	1			0	
020	01073-51645	BOLT	5			0.22	
030	04512-60160	WASHER,SPRING	5			0.022	
040	01073-51645	BOLT	4			0.22	
050	04512-60160	WASHER,SPRING	4			0.022	
060	75599-32517	WASHER,PLAIN	4			0.035	
070	7J275-55310	FRAME,SUB	1			0	

MAIN FRAME

Ref	Part Number	Part Name	Qty	IC	S/N	Lbs	Remarks
080	01073-51655	BOLT	5			0.264	
090	02076-50160	NUT	5			0.066	
100	04512-60160	WASHER,SPRING	5			0.022	
110	75599-32517	WASHER,PLAIN	5			0.035	
120	7J276-55030	FRAME,MAIN RH	1			0	
130	01073-51645	BOLT	5			0.22	
140	04512-60160	WASHER,SPRING	5			0.022	
150	01073-51645	BOLT	4			0.22	
170	04512-60160	WASHER,SPRING	4			0.022	
180	75599-32517	WASHER,PLAIN	4			0.035	
190	7J275-55310	FRAME,SUB	1			0	
200	01073-51655	BOLT	5			0.264	
210	02076-50160	NUT	5			0.066	
220	04512-60160	WASHER,SPRING	5			0.022	
230	75599-32517	WASHER,PLAIN	5			0.035	

SIDE FRAME

Figure Num 01A00500



SIDE FRAME

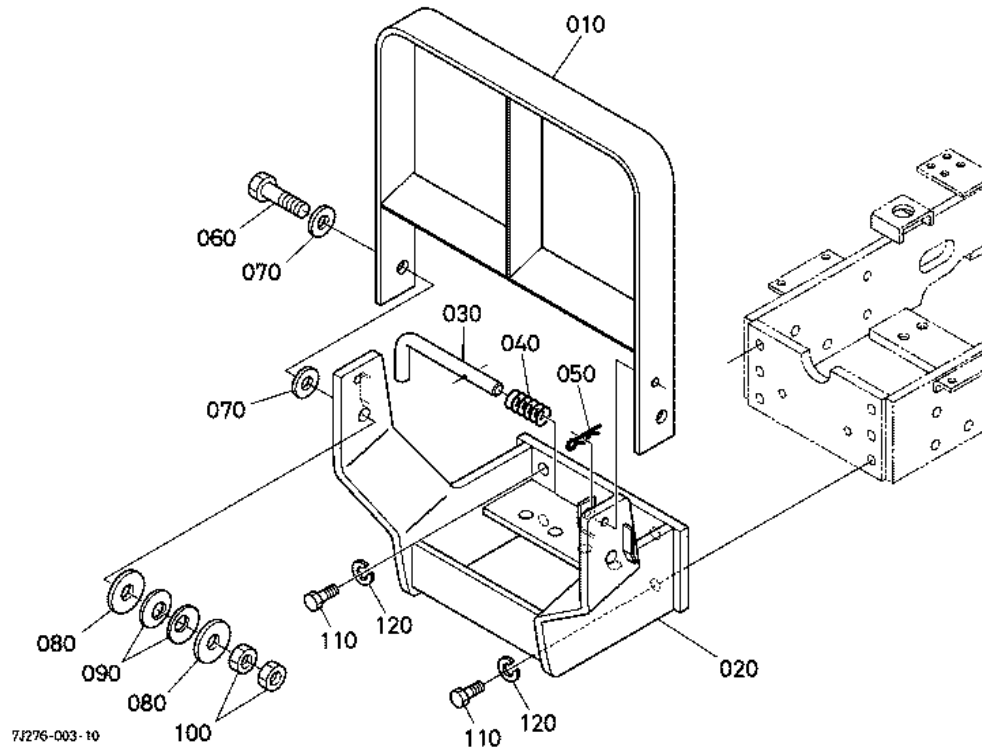
Ref	Part Number	Part Name	Qty	IC	S/N	Lbs	Remarks
010	7J275-90130	FRAME,SIDE LH(LABEL.	1			0	
020	7J246-56442	LABEL,WARNING 1	1			0.022	ENGLISH
030	7J275-90140	FRAME,SIDE RH(LABEL.	1			0	
040	7J246-56442	LABEL,WARNING 1	1			0.022	ENGLISH
050	75580-56370	LABEL,LUBRICATE	1			0.002	ENGLISH
060	7J417-56812	PIN,MOUNT	2			0	
090	7J276-56900	LABEL,SET LA	1			0	ENGLISH

SIDE FRAME

Ref	Part Number	Part Name	Qty	IC	S/N	Lbs	Remarks
100	7J266-62360	LABEL,CONTROL	1			0.004	ENGLISH
110	7J246-56410	LABEL,DANGER 1	1			0.004	ENGLISH
120	7J246-56420	LABEL,DANGER 2	1			0.002	ENGLISH
130	7J246-56430	LABEL,DANGER 3	1			0.004	ENGLISH
140	7J246-56450	LABEL,CAUTION 1	1			0.004	ENGLISH
150	7J266-56490	LABEL,CAUTION 4	1			0.002	ENGLISH
160	7J276-95502	KIT,FRENCH	1		<=A0008	0	FRENCH
160	7J276-95503	KIT,FRENCH	1	>>	>=A0009	0	FRENCH
170	75546-99613	LABEL,DANGER 1(F)	1			0.002	FRENCH
180	75546-99632	LABEL,DANGER 3(F)	1			0.022	FRENCH
190	75546-99654	LABEL,CAUTION(F)	1			0.006	FRENCH
200	75567-99622	LABEL,DANGER 2(F)	1			0.006	FRENCH
210	7J266-99682	LABEL,CAUTION 4(F)	1			0.002	FRENCH
220	75546-99643	LABEL,WARNING 1(F)	2			0.002	FRENCH
230	75546-99643	LABEL,WARNING 1(F)	2			0.002	FRENCH
240	75580-95550	LABEL,LUBRICATE FRE.	1			0.002	FRENCH
250	75553-99640	LABEL,CONTROL(F)	1			0.002	FRENCH

FRONT GUARD ## [MX8190 OPTION]

Figure Num 01A00700



FRONT GUARD

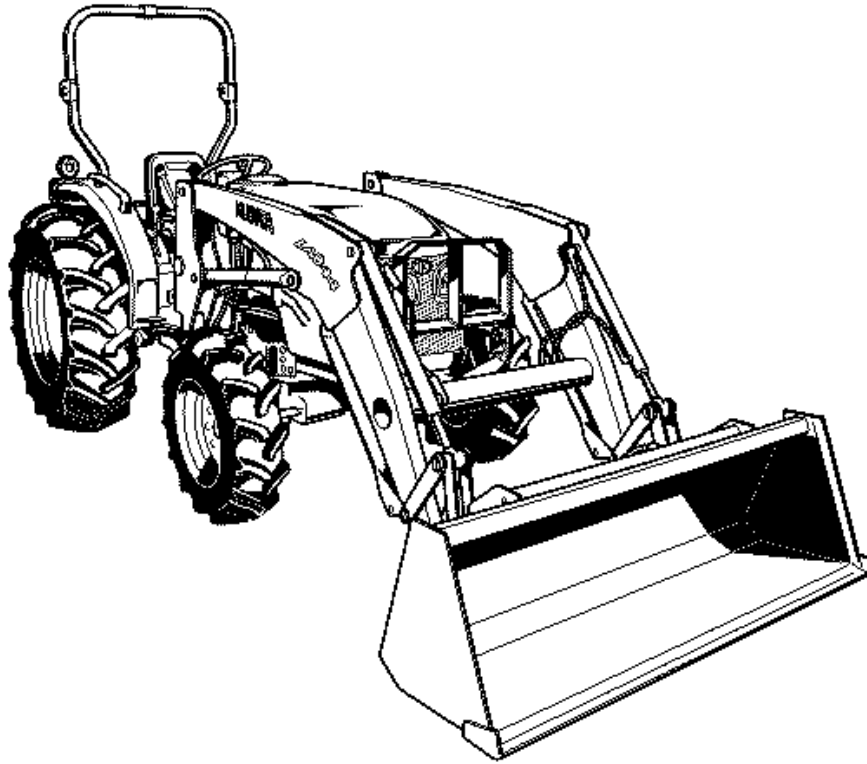
Ref	Part Number	Part Name	Qty	IC	S/N	Lbs	Remarks
010	7J276-57810	GUARD,FRONT UPPER	1			0	
020	7J276-57900	GUARD,FRONT LOWER	1			0	
030	7J417-57882	LEVER,FRONT GUARD	1	>>	>=A3626	0	
030	7J417-57880	LEVER,FRONT GUARD	1		<=A3625	0	
040	7J417-57892	SPRING,FRONT GUARD	1	>>	>=A3626	0	
040	7J417-57890	SPRING,FRONT GUARD	1		<=A3625	0	
050	05525-51200	PIN,SNAP	1			0.006	

FRONT GUARD

Ref	Part Number	Part Name	Qty	IC	S/N	Lbs	Remarks
060	7J417-57992	BOLT,FRONT GUARD	2	>>	>=A3626	0	
060	7J417-57990	BOLT,FRONT GUARD	2		<=A3625	0	
070	04011-50200	WASHER,PLAIN	4			0.033	
080	04015-50200	WASHER,PLAIN	4			0.189	
090	5H601-31350	SPRING	4			0.033	
100	02172-50200	NUT	4			0.066	
110	01173-51440	BOLT	4			0.136	
120	04512-60140	WASHER,SPRING	4			0.017	

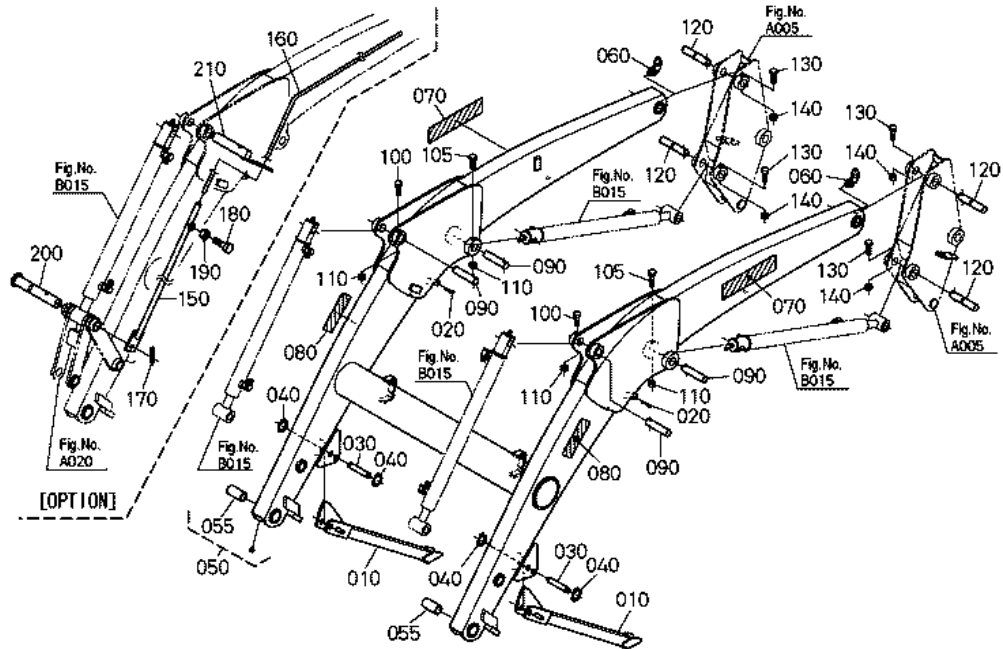
front attachments

Figure Num FRONT ATT



BOOM

Figure Num 01A01000



7J276-004-13

BOOM

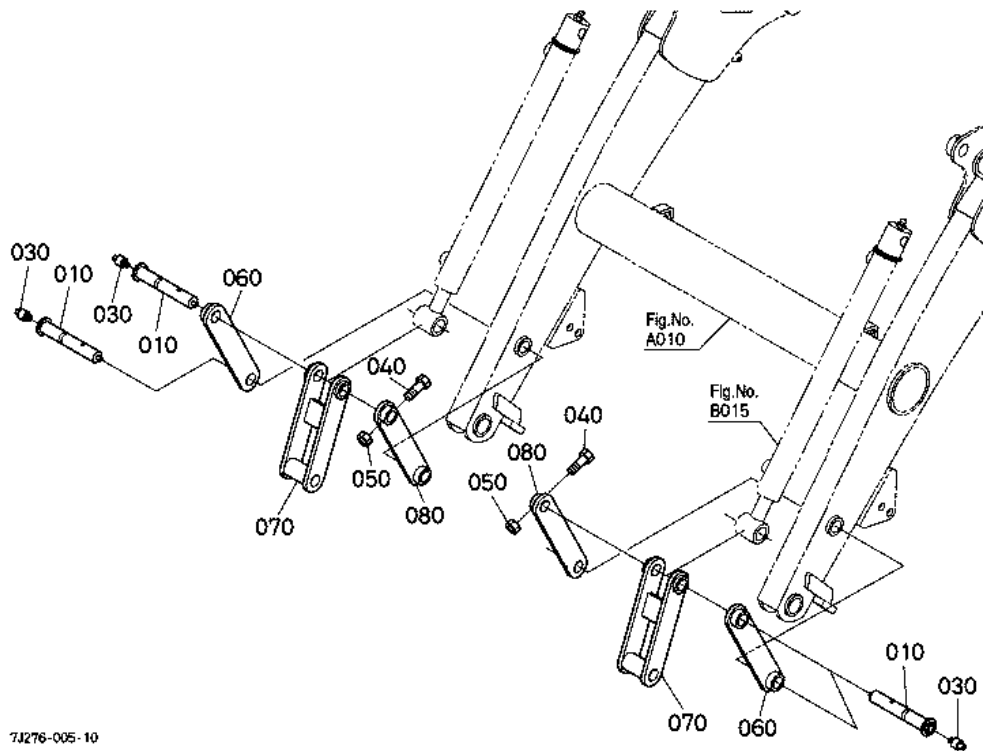
Ref	Part Number	Part Name	Qty	IC	S/N	Lbs	Remarks
010	7J266-57550	STAND	2			14.3	
020	75595-11550	PIN,SPRING LOCK	2		<=A3625	0.033	
020	75595-11552	PIN,SPRING LOCK	2	>>	>=A3626	0	
030	7J266-57650	PIN	2			0.528	
040	04612-00190	CIR CLIP,EXTERNAL	4			0.002	
050	7J276-58010	BOOM	1			0	
055	7J275-58720	BUSHING 1	2			0	

BOOM

Ref	Part Number	Part Name	Qty	IC	S/N	Lbs	Remarks
060	75599-81541	FITTING,GREASE	2			0.022	
070	TD060-80930	LABEL,KUBOTA	2			0.015	
080	7J276-58460	LABEL,MODEL	2			0	
090	7J275-58510	PIN 1	4			0	
100	01153-50870	BOLT	2			0.057	
105	01153-50880	BOLT	2			0.066	
110	02552-50080	NUT,LOCK	4			0.011	
120	7J268-58750	PIN 5	4			1.76	
130	01153-50870	BOLT	4			0.057	
140	02552-50080	NUT,LOCK	4			0.011	
150	7J275-58942	ASSY INDICATOR	1			0	OPTION
160	7J275-58952	ROD,LEVEL	1			0	OPTION
170	05511-50220	PIN,SPLIT	1			0.002	OPTION
180	01153-50825	BOLT	1			0.026	OPTION
190	02156-50080	NUT	1			0.008	OPTION
190	02114-50080	NUT	1	=		0.011	OPTION
200	7J268-58792	PIN 8	1			1.98	OPTION
210	7J276-58610	PIN 2	1			0	OPTION

BUCKET LINK

Figure Num 01A02000



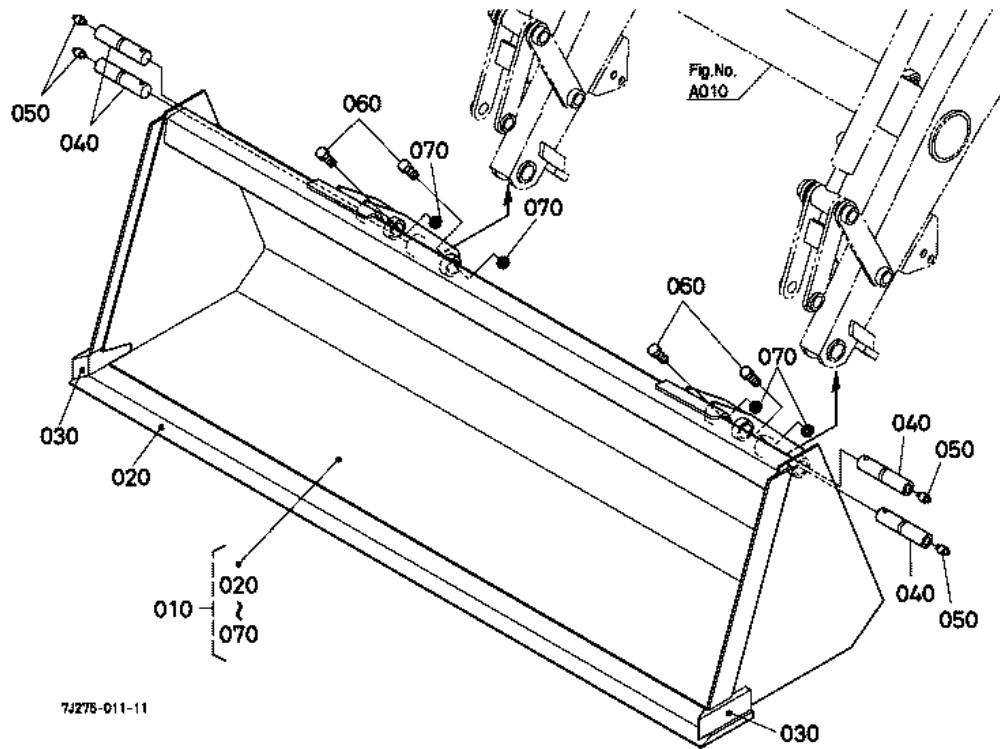
7J276-005-10

BUCKET LINK

Ref	Part Number	Part Name	Qty	IC	S/N	Lbs	Remarks
010	7J268-58780	PIN 7	4			1.892	
030	75599-81521	FITTING, GREASE	4			0.006	1/4-28T.T*.68
040	01153-50880	BOLT	4			0.066	
050	02552-50080	NUT, LOCK	4			0.011	
060	7J275-58800	LINK 1	2			0	
070	7J275-58820	LINK 2	2			0	
080	7J275-58900	LINK 3	2			0	

BUCKET ## [L2276]

Figure Num 01A02501



BUCKET

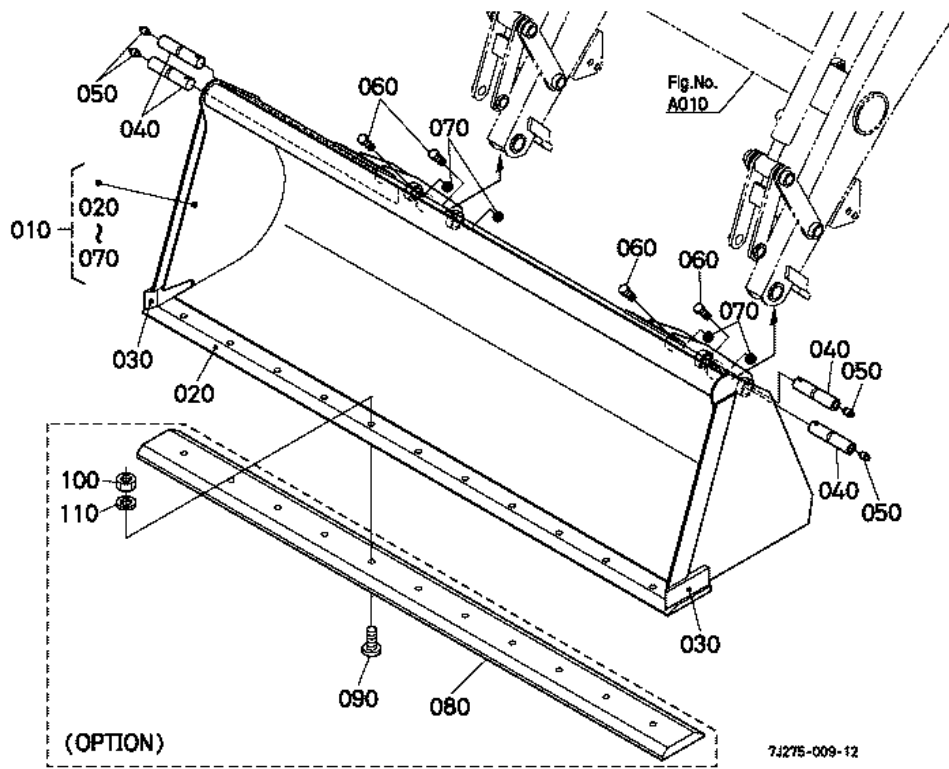
Ref	Part Number	Part Name	Qty	IC	S/N	Lbs	Remarks
010	7J275-50000	BUCKET 72	1			0	
020	75565-59320	EDGE,CUTTING	1			69.3	
030	75565-59330	EDGE 2,CUTTING	2			1.914	
040	7J268-58710	PIN 3	4			1.496	
050	75599-81521	FITTING,GREASE	4			0.006	1/4-28T.T.*.68
060	7J268-58992	HEX.BOLT	4	>>	>=A3626	0	M8*1.25*60
060	7J268-58990	HEX.BOLT	4		<=A3625	0.057	M8*1.25*60

BUCKET

Ref	Part Number	Part Name	Qty	IC	S/N	Lbs	Remarks
070	02552-50080	NUT,LOCK	4			0.011	M8

BUCKET ## [L2286] BLADE,BOLT ON (TL1748) [OPTION]

Figure Num 01A02502



BUCKET

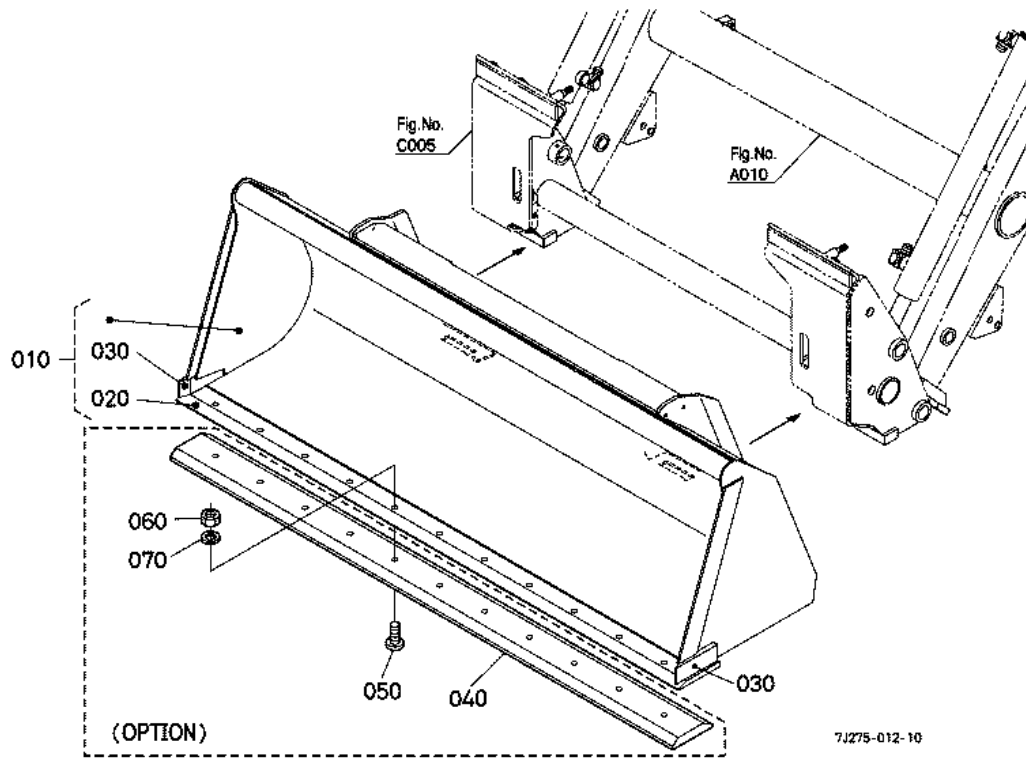
Ref	Part Number	Part Name	Qty	IC	S/N	Lbs	Remarks
010	7J275-80000	BUCKET 72H	1			0	
020	7J268-79322	EDGE 1,CUTTING	1			68.2	
030	75565-59330	EDGE 2,CUTTING	2			1.914	
040	7J268-58710	PIN 3	4			1.496	
050	75599-81521	FITTING,GREASE	4			0.006	1/4-28T.T.*.68
060	7J268-58992	HEX.BOLT	4	>>	>=A3626	0	M8*1.25*60
060	7J268-58990	HEX.BOLT	4		<=A3625	0.057	M8*1.25*60

BUCKET

Ref	Part Number	Part Name	Qty	IC	S/N	Lbs	Remarks
070	02552-50080	NUT,LOCK	4			0.011	M8
080	75585-79810	BLADE,BOLT ON	1			69.3	OPTION TL1748
090	75599-09535	PLOW BOLT	11			0.101	OPTION 1/2-13UNC*1-
100	75599-31015	NUT	11			0.022	OPTION 1/2-13UNC
110	75599-33015	WASHER,SPRING LOCK	11			0.013	OPTION 1/2

BUCKET ## [L2296] BLADE,BOLT ON (TL1748) [OPTION]

Figure Num 01A02503

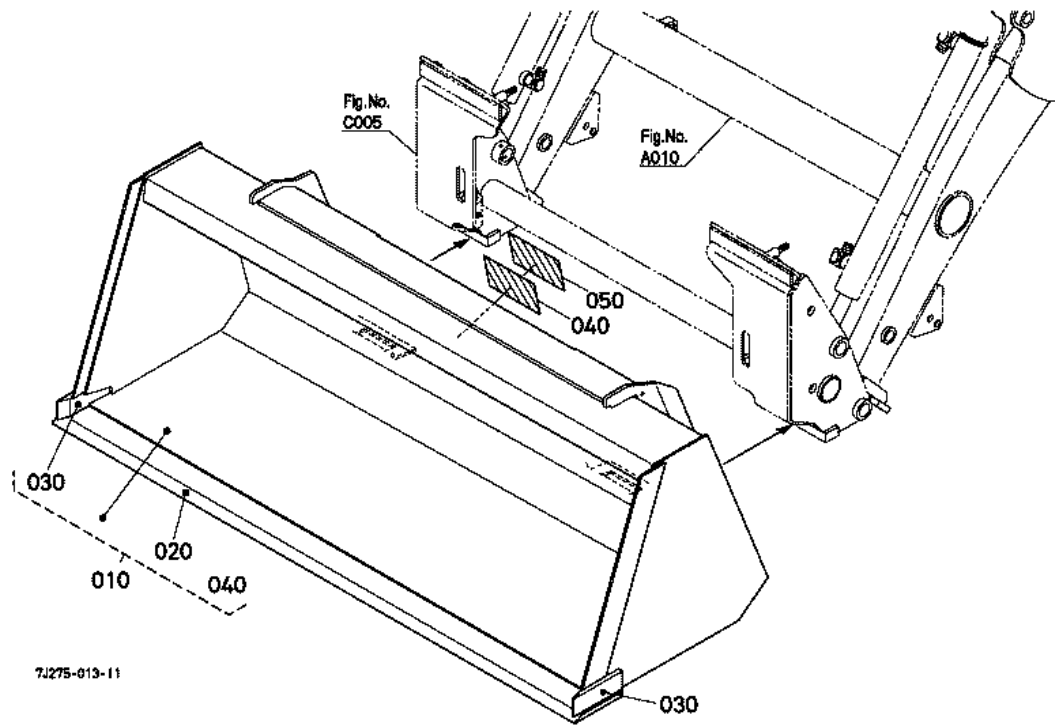


BUCKET

Ref	Part Number	Part Name	Qty	IC	S/N	Lbs	Remarks
010	7J275-81000	BUCKET 72H,QUICK	1			0	
020	7J268-79322	EDGE 1,CUTTING	1			68.2	
030	75565-59330	EDGE 2,CUTTING	2			1.914	
040	75585-79810	BLADE,BOLT ON	1			69.3	OPTION TL1748
050	75599-09535	PLOW BOLT	11			0.101	OPTION 1/2-13UNC*1-
060	75599-31015	NUT	11			0.022	OPTION 1/2-13UNC
070	75599-33015	WASHER,SPRING LOCK	11			0.013	OPTION 1/2

BUCKET ## [L2236]

Figure Num 01A02504

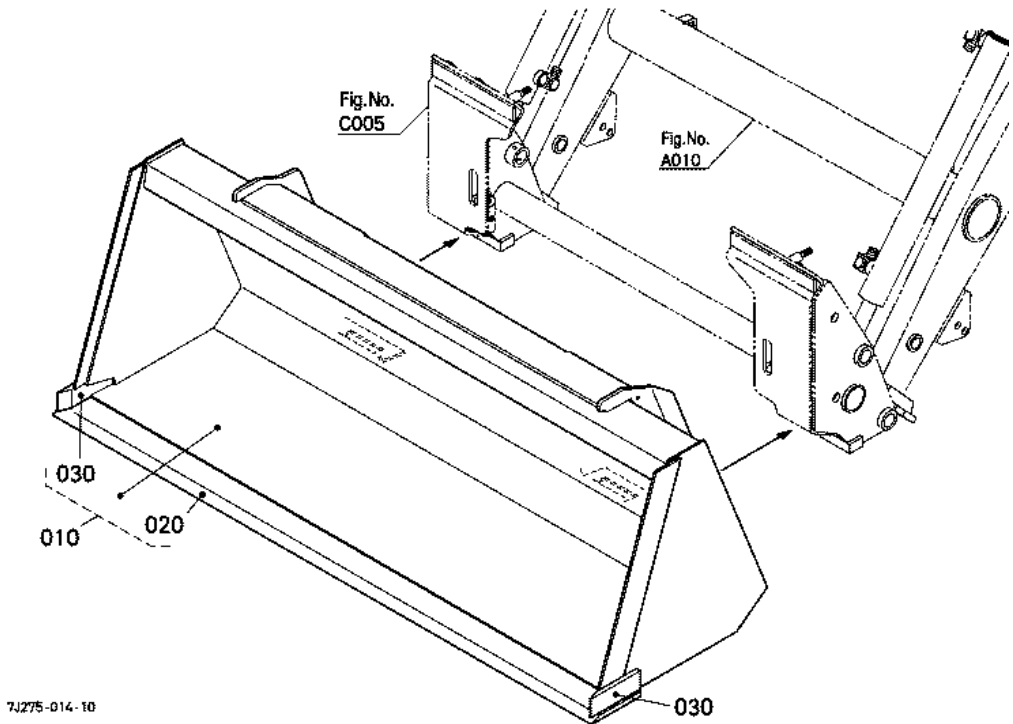


BUCKET

Ref	Part Number	Part Name	Qty	IC	S/N	Lbs	Remarks
010	7J268-38014	BUCKET 72LM,QUICK	1			0	
020	7J267-59322	EDGE 1,CUTTING	1			56.1	
030	7J267-59332	EDGE 2,CUTTING	2			1.562	
040	7J268-38610	LABEL,LIGHT MATERIA.	1			0	ENGLISH
050	7J268-99690	LABEL,LIGHT MATERIA.	1			0.017	FRENCH

BUCKET ## [L2235]

Figure Num 01A02505

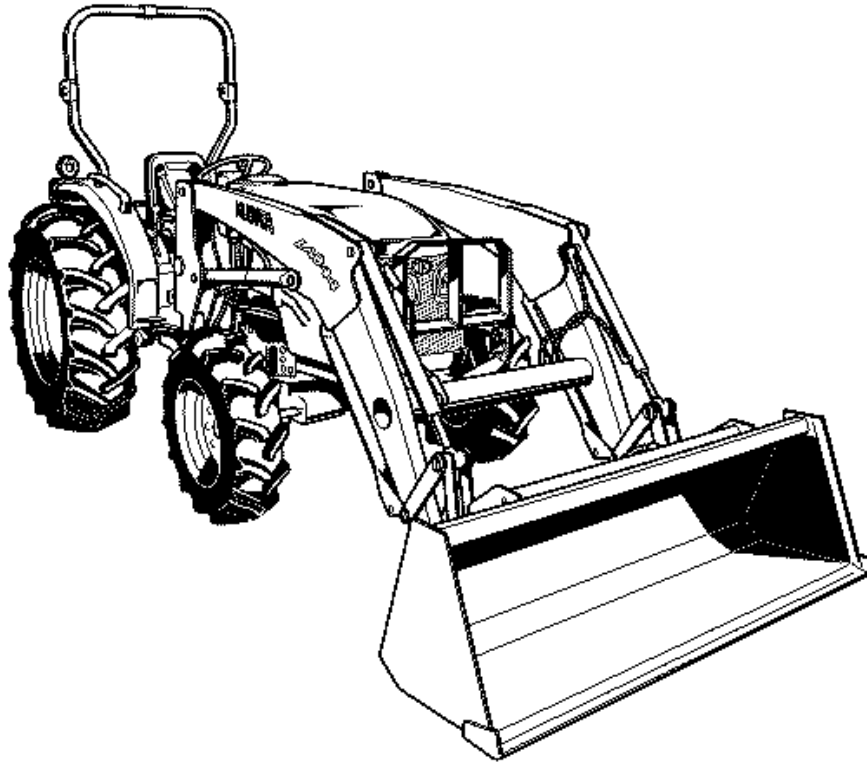


BUCKET

Ref	Part Number	Part Name	Qty	IC	S/N	Lbs	Remarks
010	7J268-69014	BUCKET 72,QUICK	1			0	
020	75565-59320	EDGE,CUTTING	1			69.3	
030	75565-59330	EDGE 2,CUTTING	2			1.914	

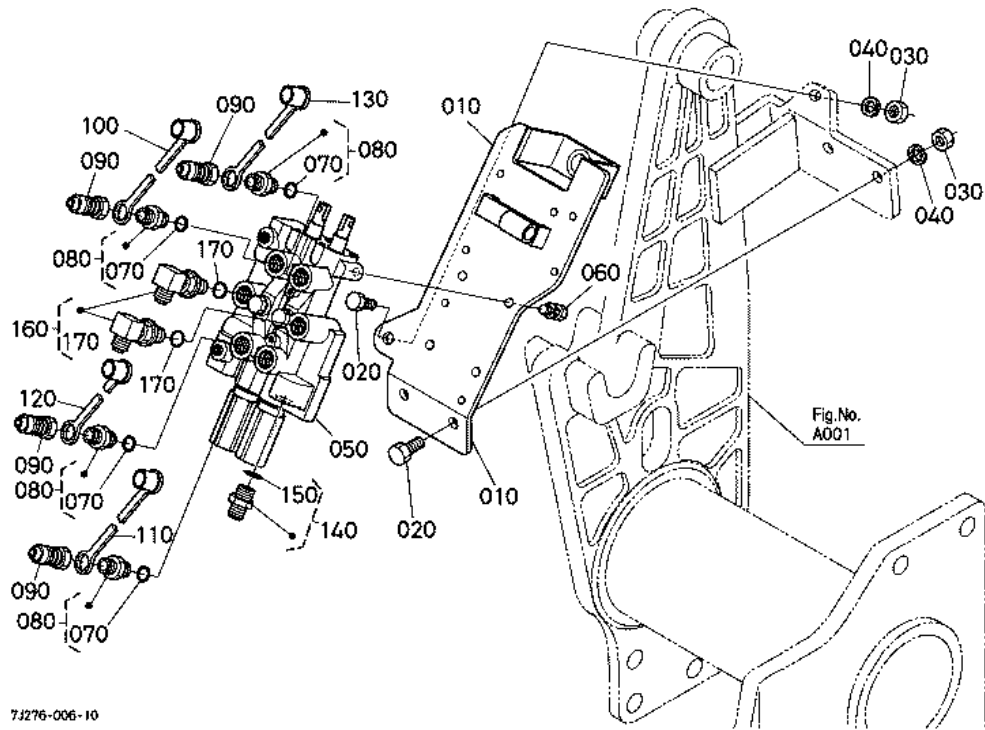
control valve

Figure Num CONTROL V



CONTROL VALVE

Figure Num 01B00100



7J276-006-10

CONTROL VALVE

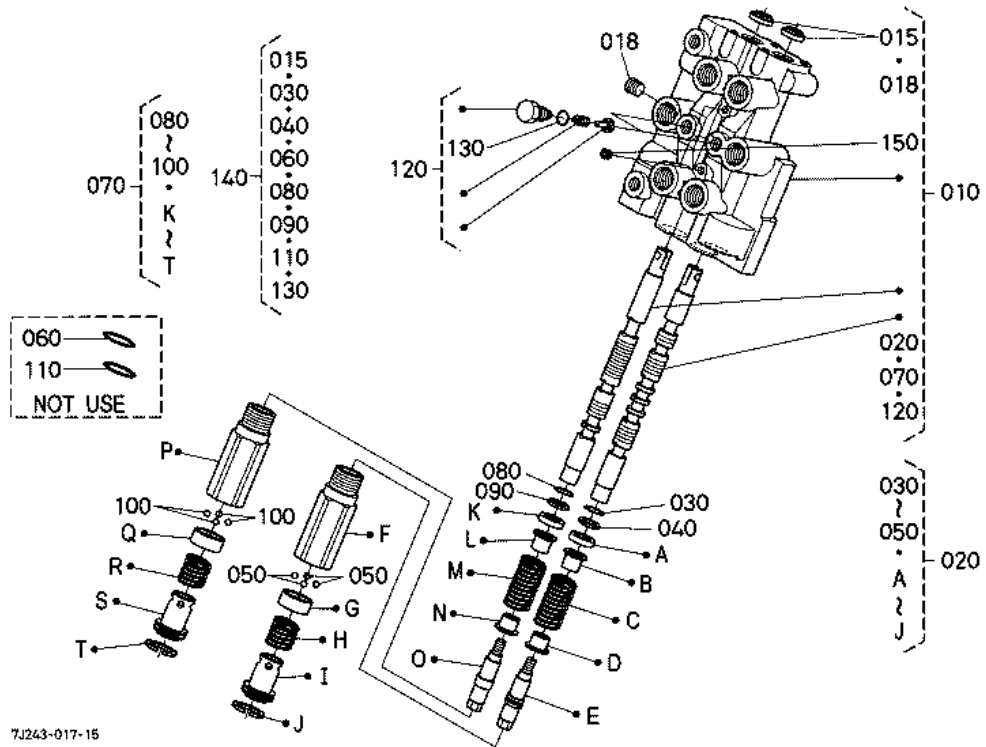
Ref	Part Number	Part Name	Qty	IC	S/N	Lbs	Remarks
010	7J266-61114	STAY,VALVE	1			5.5	
020	01173-51230	BOLT	3			0.081	
030	02174-50120	NUT	3		<=A3625	0.022	
030	02176-50120	NUT	3	=	>=A3626	0.022	
040	04512-60120	WASHER,SPRING	3			0.011	
050	YW230-00102	ASSY VALVE,CONTROL	1			14.08	
060	01123-50820	BOLT	4			0.024	

CONTROL VALVE

Ref	Part Number	Part Name	Qty	IC	S/N	Lbs	Remarks
070	75540-61820	O-RING	4			0.002	
080	7J243-61850	ASSY ADAPTER	4			0.11	
090	7J417-66220	NIPPLE	4			0	
100	7J246-66410	CAP,DUST	1			0.004	BLUE
110	7J246-66420	CAP,DUST	1			0.011	YELLOW
120	7J246-66430	CAP,DUST	1			0.004	RED
130	7J246-66440	CAP,DUST	1			0.011	WHITE
140	75580-61800	ASSY ADAPTER	1			0.132	
150	75540-61820	O-RING	1			0.002	
160	75560-61950	ASSY ELBOW ,ADJUSTA	2			0.308	
170	75540-61820	O-RING	2			0.002	

CONTROL VALVE [COMPONENT PARTS]

Figure Num 01B00500



CONTROL VALVE [COMPONENT PARTS]

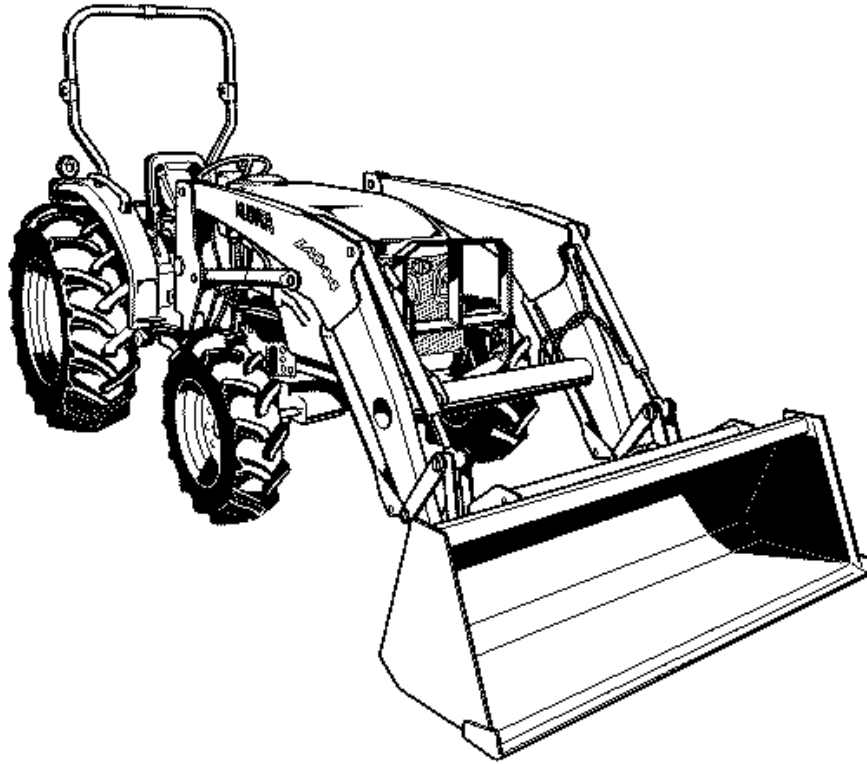
Ref	Part Number	Part Name	Qty	IC	S/N	Lbs	Remarks
010	YW230-00102	ASSY VALVE,CONTROL	1			14.08	
015	YW077-00610	SEAL,DUST	2			0.002	
018	YT232-00720	PLUG	1			0.015	
020	YW232-91102	KIT PLUG,DETENT	1			0.946	
030	04817-00140	O RING	1			0.002	
040	34076-66250	RING,BACK UP	1			0.002	
050	07715-01603	BALL	4			0.022	

CONTROL VALVE [COMPONENT PARTS]

Ref	Part Number	Part Name	Qty	IC	S/N	Lbs	Remarks
060	04817-06250	O RING	1			0.002	
070	YW232-92102	KIT PLUG,DETENT 2	1			0.484	
080	04817-00140	O RING	1			0.002	
090	34076-66250	RING,BACK UP	1			0.002	
100	07715-01603	BALL	4			0.022	
110	04817-06250	O RING	1			0.002	
120	YW232-93100	KIT VALVE,LOAD CHEC.	1			0.088	
130	04817-00100	O RING	1			0.002	
140	YW232-94100	KIT SEAL	1			0.022	
150	YT107-00480	PLUG	5			0.006	

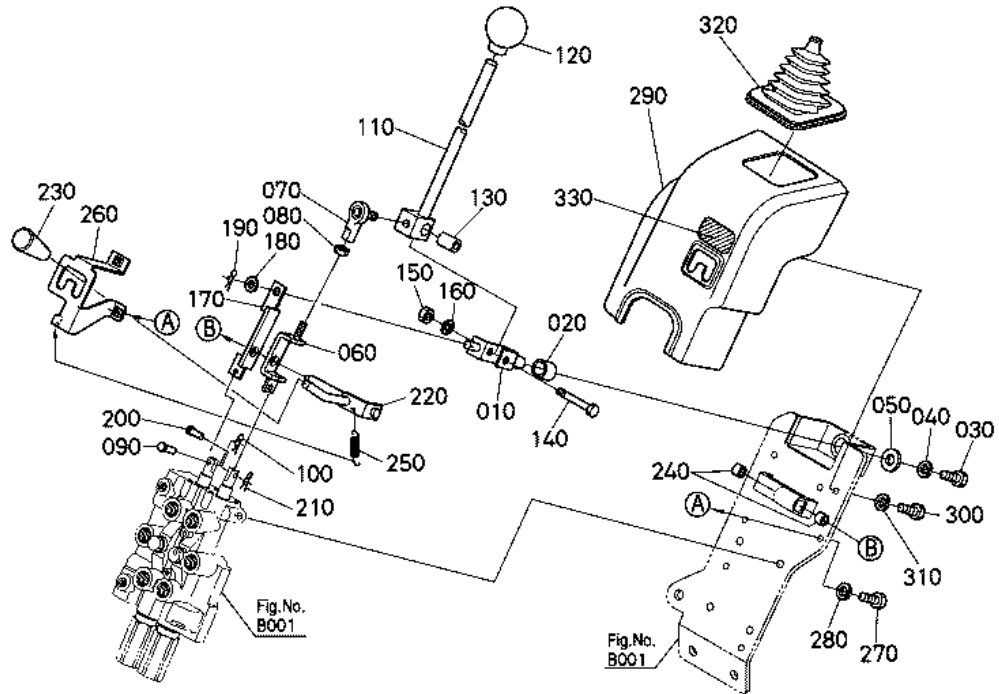
control lever

Figure Num CONTROL L



CONTROL LEVER

Figure Num 01B01300



7J276-011-10

CONTROL LEVER

Ref	Part Number	Part Name	Qty	IC	S/N	Lbs	Remarks
010	7J266-62115	LEVER	1			0.396	
020	08511-01625	BUSH	1			0.022	
030	01053-50818	BOLT	1			0.024	
040	04512-60080	WASHER,SPRING	1			0.004	
050	04015-60080	WASHER,PLAIN	1			0.022	
060	7J266-62163	LEVER,1 LOCK	1			0.308	
070	75532-62260	JOINT,ROD END	1		<=A3625	0.11	

CONTROL LEVER

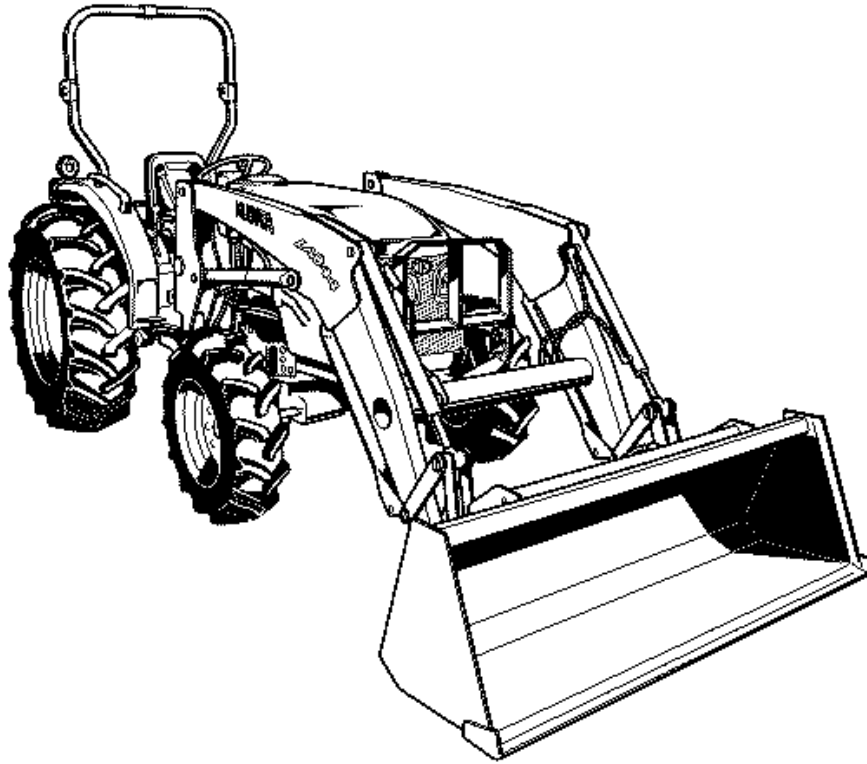
Ref	Part Number	Part Name	Qty	IC	S/N	Lbs	Remarks
070	75532-62262	JOINT,ROD END	1	>>	>=A3626	0	
080	75599-31022	NUT	1			0.033	
090	75540-62190	PIN	1			0.039	
100	05525-60500	PIN,SNAP	1			0.002	
110	7J266-62210	LEVER,CONTROL	1			1.298	
120	31355-82520	GRIP,LEVER	1			0.11	
130	7J266-72150	SLEEVE	1			0.055	
140	01073-51050	BOLT	1			0.083	
150	02018-50100	NUT	1		<=A3625	0.024	
150	02118-50100	NUT	1	=	>=A3626	0.011	
160	04512-60100	WASHER,SPRING	1			0.004	
170	7J266-62283	LEVER,2 LOCK	1			0.242	
180	04013-60100	WASHER,PLAIN	1			0.006	
190	05525-61000	PIN,SNAP	1			0.004	
200	75540-62190	PIN	1			0.039	
210	05525-60500	PIN,SNAP	1			0.002	
220	7J266-62414	LEVER,LOCK	1			0.352	
230	06914-00100	GRIP,LEVER	1			0.044	
240	08511-01210	BUSH	2			0.011	
250	7J266-62813	SPRING,LOCK	1			0.22	
260	7J266-62510	GUIDE,LEVER	1		<=A3625	0.44	
260	7J266-62513	GUIDE,LEVER	1	>>	>=A3626	0	
270	01053-50616	BOLT	2			0.011	
280	04512-60060	WASHER,SPRING	2			0.002	
290	7J266-62315	COVER	1			0.022	
300	01053-50616	BOLT	3			0.011	

CONTROL LEVER

Ref	Part Number	Part Name	Qty	IC	S/N	Lbs	Remarks
310	04512-60060	WASHER,SPRING	3			0.002	
320	7J266-62710	BOOT,CONTROL LEVER	1			0.022	
330	7J266-62910	LABEL,C/V LOCK	1			0.002	

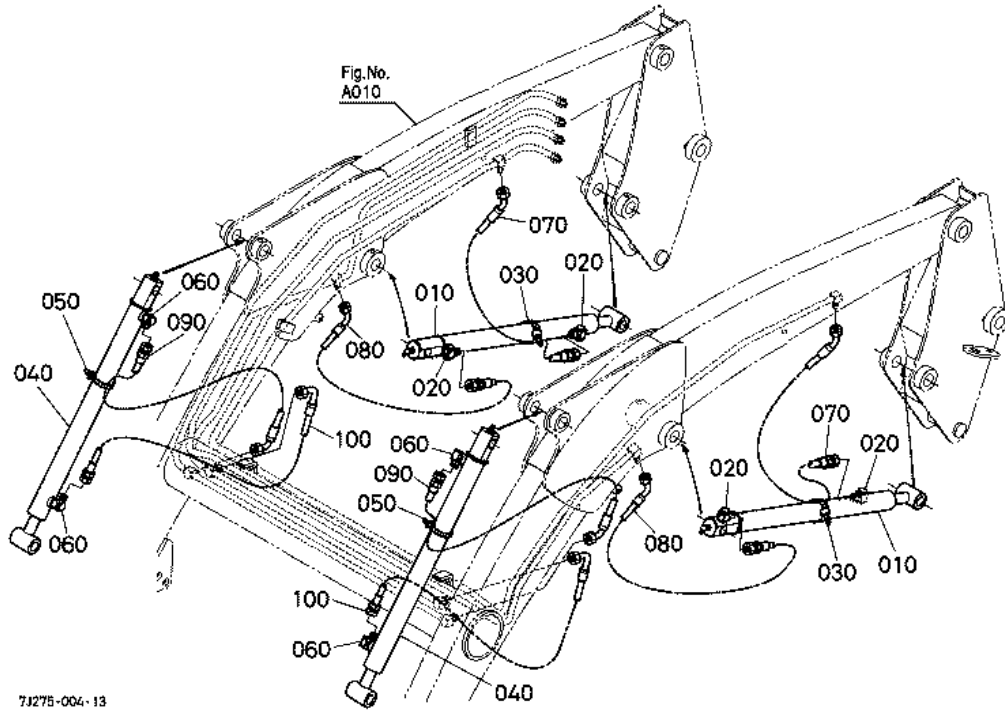
hydraulic system

Figure Num HYDRAULIC



CYLINDER/HYDRAULIC HOSE

Figure Num 01B01500



CYLINDER/HYDRAULIC HOSE

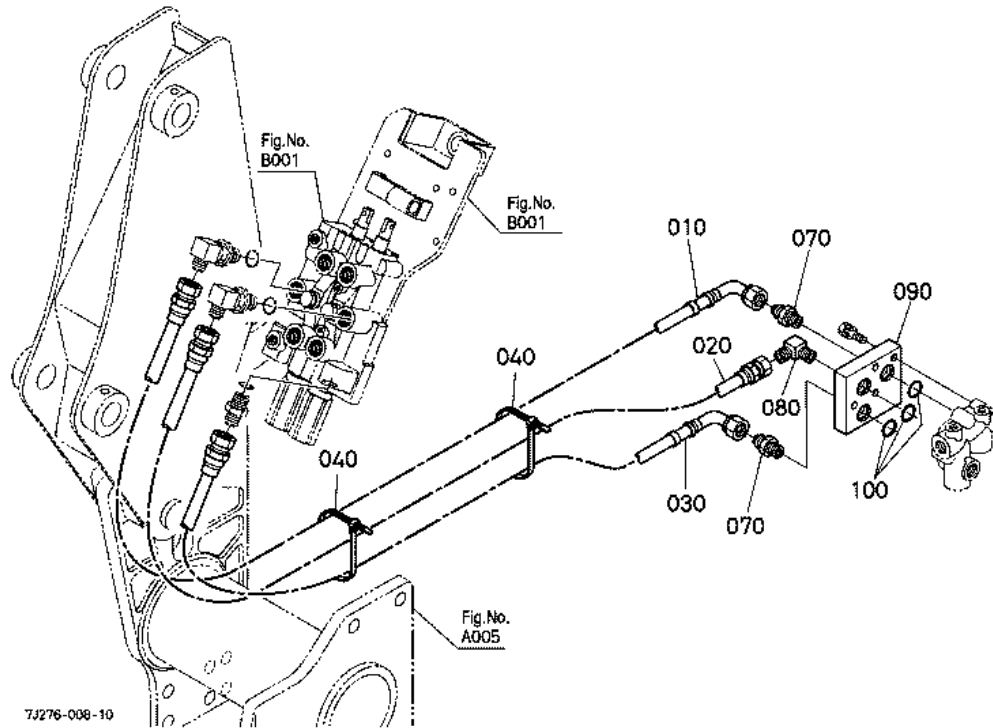
Ref	Part Number	Part Name	Qty	IC	S/N	Lbs	Remarks
010	7J275-63010	CYLINDER 1	2			0	
020	75540-64910	ELBOW 1	4			0.242	
030	75590-64650	BAND, CODE	2			0.022	
040	7J275-64013	CYLINDER 2	2			0	
050	75590-64650	BAND, CODE	2			0.022	
060	75540-64910	ELBOW 1	4			0.242	
070	7J275-66610	HOSE 8, HYDRAULIC	2			0	

CYLINDER/HYDRAULIC HOSE

Ref	Part Number	Part Name	Qty	IC	S/N	Lbs	Remarks
080	7J275-66620	HOSE 9,HYDRAULIC	2			0	
090	7J275-66630	HOSE 10,HYDRAULIC	2			0	
100	7J275-66640	HOSE 11,HYDRAULIC	2			0	

HYDRAULIC HOSE (HYD.OUTLET BLOCK)

Figure Num 01B01600



HYDRAULIC HOSE (HYD.OUTLET BLOCK)

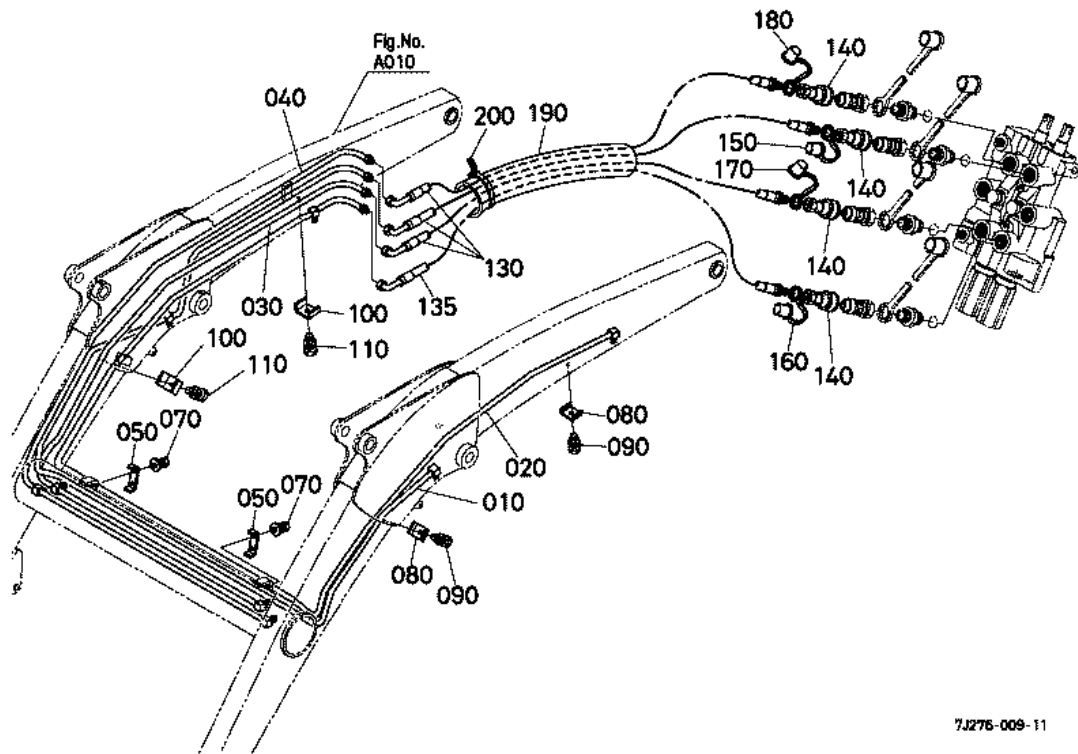
Ref	Part Number	Part Name	Qty	IC	S/N	Lbs	Remarks
010	7J266-66710	HOSE 5,HYDRAULIC	1			0.946	
020	7J266-66810	HOSE 6,HYDRAULIC	1			0.836	
030	7J266-66910	HOSE 7,HYDRAULIC	1			0.88	
040	75590-64650	BAND,CODE	2			0.022	
070	75582-66812	ADAPTER 1	2	>>	>=A3626	0	
070	75582-66810	ADAPTER 1	2		<=A3625	0.11	
080	75540-64910	ELBOW 1	1			0.242	

HYDRAULIC HOSE (HYD.OUTLET BLOCK)

Ref	Part Number	Part Name	Qty	IC	S/N	Lbs	Remarks
090	7J266-68113	BLOCK,HYDRAULIC	1	>>	>=A3626	0	
090	7J266-68110	BLOCK,HYDRAULIC	1		<=A3625	2.046	
100	04817-00160	O RING	3			0.002	

HYDRAULIC TUBE

Figure Num 01B02000



7J275-009-11

HYDRAULIC TUBE

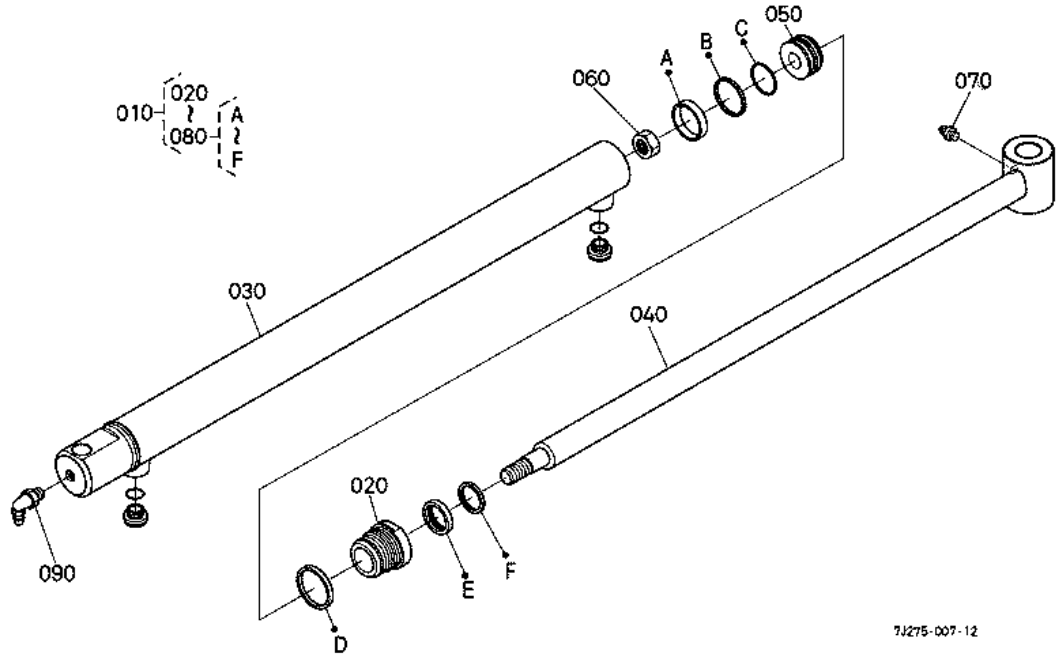
Ref	Part Number	Part Name	Qty	IC	S/N	Lbs	Remarks
010	7J275-65110	TUBE 1,HYDRAULIC	1			0	
020	7J275-65212	TUBE 2,HYDRAULIC	1			0	
030	7J275-65310	TUBE 3,HYDRAULIC	1			0	
040	7J275-65410	TUBE 4,HYDRAULIC	1			0	
050	75540-65510	CLAMP 1	2			0.22	
070	01125-50830	BOLT	4			0.037	
080	7J275-65550	CLAMP 1	2			0	

HYDRAULIC TUBE

Ref	Part Number	Part Name	Qty	IC	S/N	Lbs	Remarks
090	01125-60816	BOLT	2	>>	>=A3237	0.022	
090	01123-60816	BOLT	2		<=A3236	0.022	
100	7J275-65560	CLAMP 2	2			0	
110	01123-60816	BOLT	2			0.022	
130	7J276-66110	HOSE 1,HYDRAULIC	3			0	
135	7J276-66120	HOSE 2,HYDRAULIC	1			0	
140	7J417-66320	COUPLER	4			0	
150	7J246-66310	PLUG,DUST	1			0.004	BLUE
160	7J246-66320	PLUG,DUST	1			0.022	YELLOW
170	7J246-66330	PLUG,DUST	1			0.004	RED
180	7J246-66340	PLUG,DUST	1			0.004	WHITE
190	7K520-64580	SLEEVE	1			0	
200	75590-64650	BAND,CODE	1			0.022	

CYLINDER (BOOM) [COMPONENT PARTS]

Figure Num 01B02500



CYLINDER (BOOM) [COMPONENT PARTS]

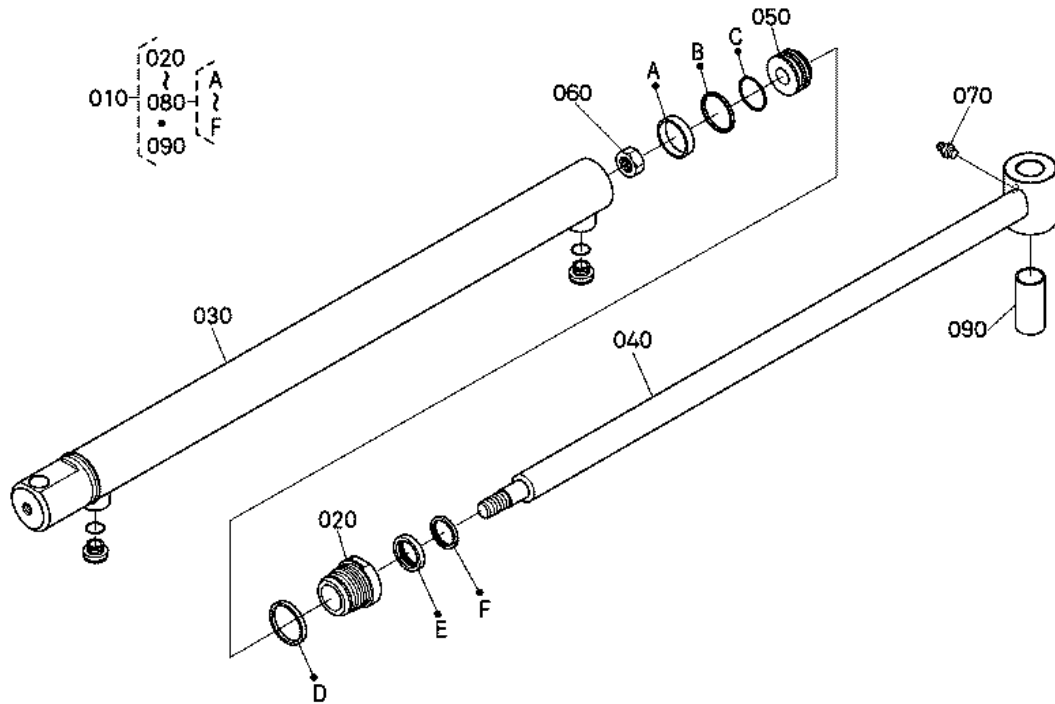
Ref	Part Number	Part Name	Qty	IC	S/N	Lbs	Remarks
010	7J275-63010	CYLINDER 1	2			0	
020	7J275-63310	HEAD 1	1			0	
030	7J275-63100	TUBE 1 COMP.	1			0	
040	7J275-63200	ROD 1 COMP.	1			0	
050	7J275-63350	PISTON 1	1			0	
060	7K501-32250	NUT	2	=	>=A4313	0	M22*1.5
060	7J275-63360	NUT	2		<=A4312	0	M22*1.5

CYLINDER (BOOM) [COMPONENT PARTS]

Ref	Part Number	Part Name	Qty	IC	S/N	Lbs	Remarks
070	76539-12100	NIPPLE,GREASE	2			0.011	M8*1.25
080	7J275-63400	KIT 1,SEAL	1			0	
090	75532-63470	FITTING,GREASE	2			0.022	

CYLINDER (BUCKET) [COMPONENT PARTS]

Figure Num 01B03000



7J275-008-12

CYLINDER (BUCKET) [COMPONENT PARTS]

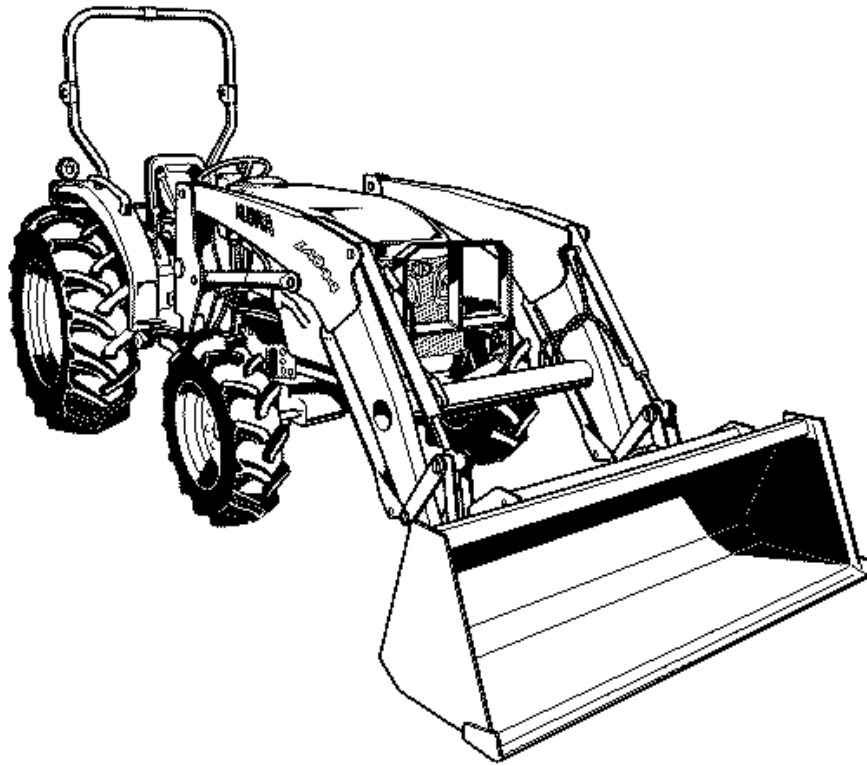
Ref	Part Number	Part Name	Qty	IC	S/N	Lbs	Remarks
010	7J275-64013	CYLINDER 2	2			0	
020	7J275-64310	HEAD 2	1			0	
030	7J275-64100	TUBE 2 COMP.	1			0	
040	7J275-64202	ROD 2 COMP.	1			0	
050	7J275-64350	PISTON 2	1			0	
060	7K501-32250	NUT	1			0	M22*1.5
070	76539-12100	NIPPLE,GREASE	1			0.011	M8*1.25

CYLINDER (BUCKET) [COMPONENT PARTS]

Ref	Part Number	Part Name	Qty	IC	S/N	Lbs	Remarks
080	7J275-64400	KIT 2,SEAL	1			0	
090	7J275-64510	BUSHING	1			0	

option

Figure Num OPTION

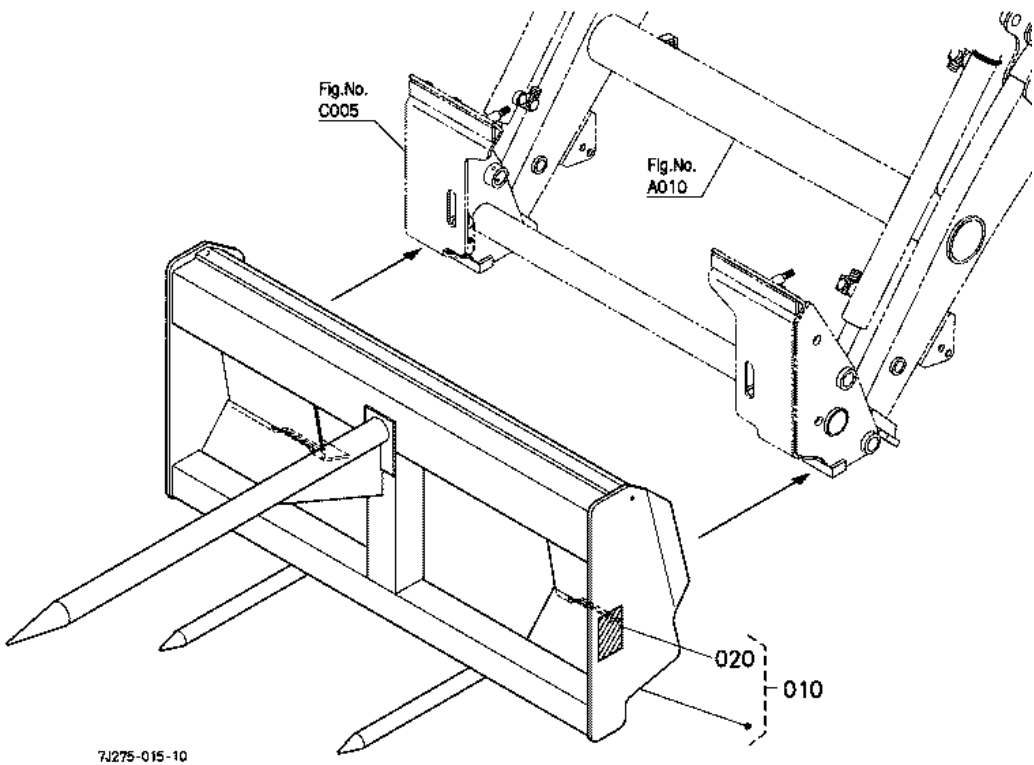


QUICK HITCH [OPTION]

Ref	Part Number	Part Name	Qty	IC	S/N	Lbs	Remarks
070	7J419-36430	PIN,LATCH	2			0	
075	7J275-36300	LINK ASSY	2			0	
080	7J266-36340	SPRING,LATCH PIN	1			0.209	
090	7J266-36360	STOPPER,LATCH SPRIN.	1			0.528	
100	7J266-36470	LINK,LATCH PIN	2			0	
110	05122-51040	PIN,JOINT	2			0.055	
120	04013-60100	WASHER,PLAIN	2			0.006	
130	05511-50320	PIN,SPLIT	2			0.004	
140	02572-50120	NUT,LOCK	2			0.030	
150	7J268-58710	PIN 3	4			1.496	
170	75599-81520	FITTING,GREASE	4			0.006	1/4-28T.T.
180	7J268-58990	HEX.BOLT	4			0.057	M8X1.25X60
180	7J268-58992	HEX.BOLT	4	>>		0	M8X1.25X60
190	02552-50080	NUT,LOCK	4			0.011	
200	04015-60120	WASHER,PLAIN	2			0.048	
210	01133-51225	BOLT	2			0.077	
220	7J802-36485	LABEL,DANGER QH	2			0	ENGLISH
230	7J802-99194	LABEL,DANGER QH(F)	2			0	FRENCH

BALE SPEAR [OPTION] ## [L2237]

Figure Num 01C00700



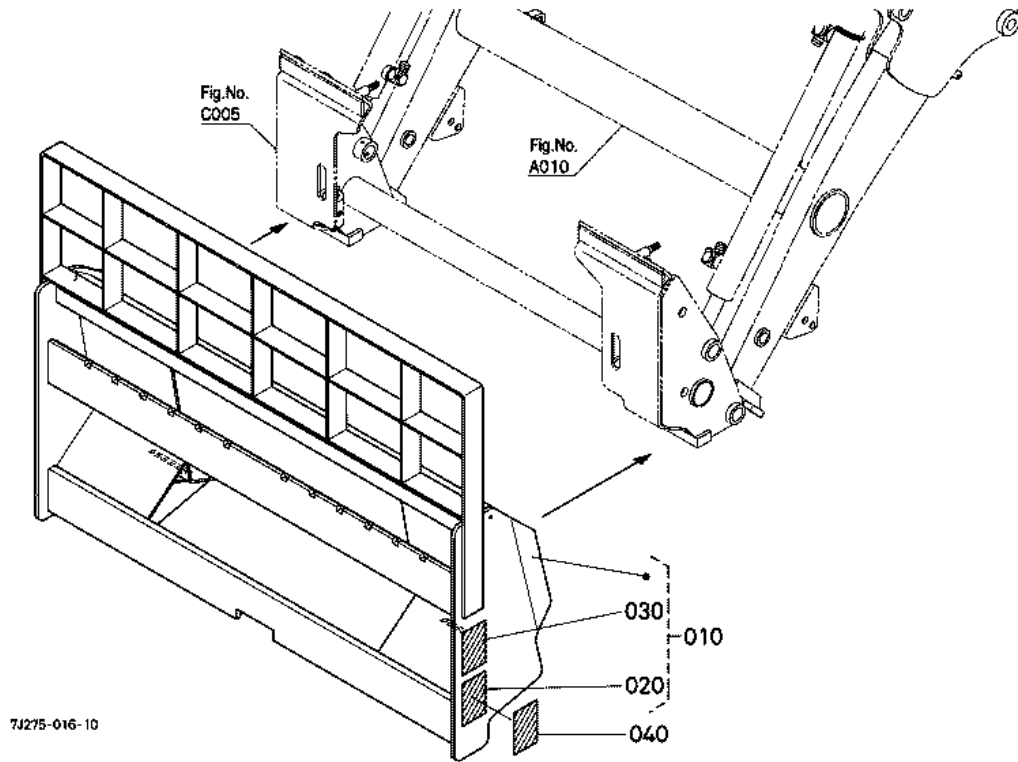
7J275-015-10

BALE SPEAR [OPTION]

Ref	Part Number	Part Name	Qty	IC	S/N	Lbs	Remarks
010	7J266-37200	L2237 QBALE SPEAR O.	1			0	
020	7J246-56430	LABEL,DANGER 3	2			0.004	

PALLET FORK [OPTION] ## [L2238]

Figure Num 01C00900

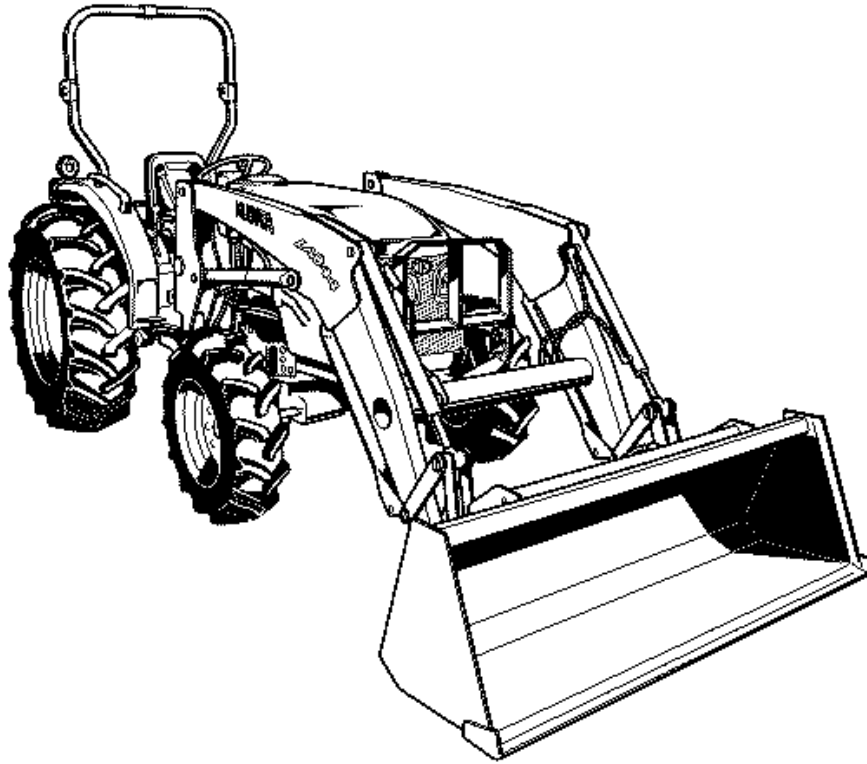


PALLET FORK [OPTION]

Ref	Part Number	Part Name	Qty	IC	S/N	Lbs	Remarks
010	7J266-90260	FRAME,PALLET FORK(L.	1			0	
020	7J266-39232	LABEL,DANGER (P.F.)	2			0.015	ENGLISH
030	7J246-56430	LABEL,DANGER 3	2			0.004	ENGLISH
040	7J266-99232	LABEL,DANGER(P.F.)	2			0.017	FRENCH

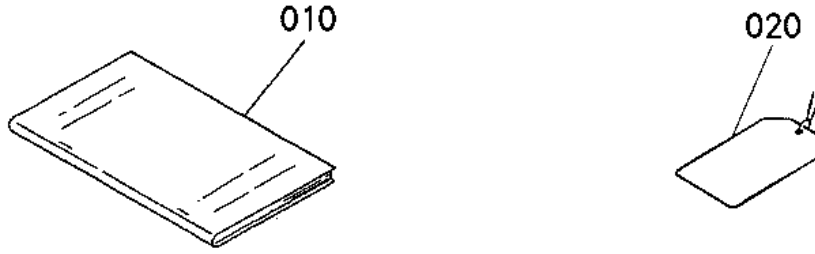
accessories and service parts

Figure Num ACCESSOR



ACCESSORIES AND SERVICE PARTS

Figure Num 01D00100



1G606-002-11

ACCESSORIES AND SERVICE PARTS

Ref	Part Number	Part Name	Qty	IC	S/N	Lbs	Remarks
010	7J276-95910	OPERATOR'S MANUAL(F.	1			0	FRENCH
010	7J276-69110	OPERATOR'S MANUAL(E.	1			0	ENGLISH
020	75568-77510	TAG	1			0	