

# Instructions for Parts Books

The heading at the top of the page will be the same for the picture of the parts as it is for the page with the part numbers.

Definition of column headings on part number pages:

**REF.No** → The number referring to the part on the picture page of the parts book.

**Part No.** → The number assigned to this part at the time of printing the parts book.

**Description** → Description of part.

**Q'ty** → Quantity of part used on that page.

**S.No.** → Serial number range of the equipment that this part will fit.

>= Your serial number should be greater than or equal to the number shown.

<= Your serial number should be lesser than or equal to the serial number shown.

**I/C** → Interchangeability of part shown.

↔ The part shown will work for the older and later serial number.

# The part shown is not interchangeable with the other serial number.

← new for old

→ old for new

**Remarks** → Notes about this particular part. Sometimes this may say except [FR] or [CA]

## Note about Country Codes:

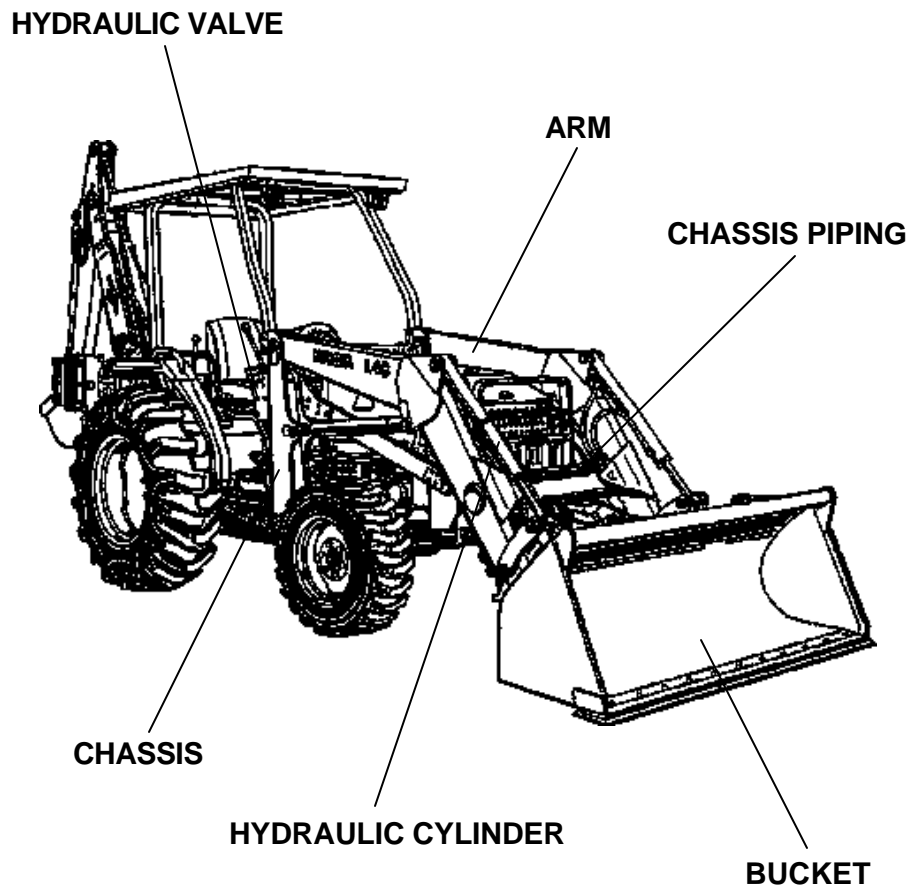
The parts books we use in the United States of America may also contain information about a part that would be different in another country. It is important that you are aware of the country codes in some instances.

Symbol	Country
A	United States of America
CA	Canada
FR	France
GR	Greece
PO	Portugal
AU	Australia

If the remarks column says for example EXCEPT [FR] this part works in all countries except France. That means it will work here in the USA.

ALL PRODUCT INDEX  
TL1150

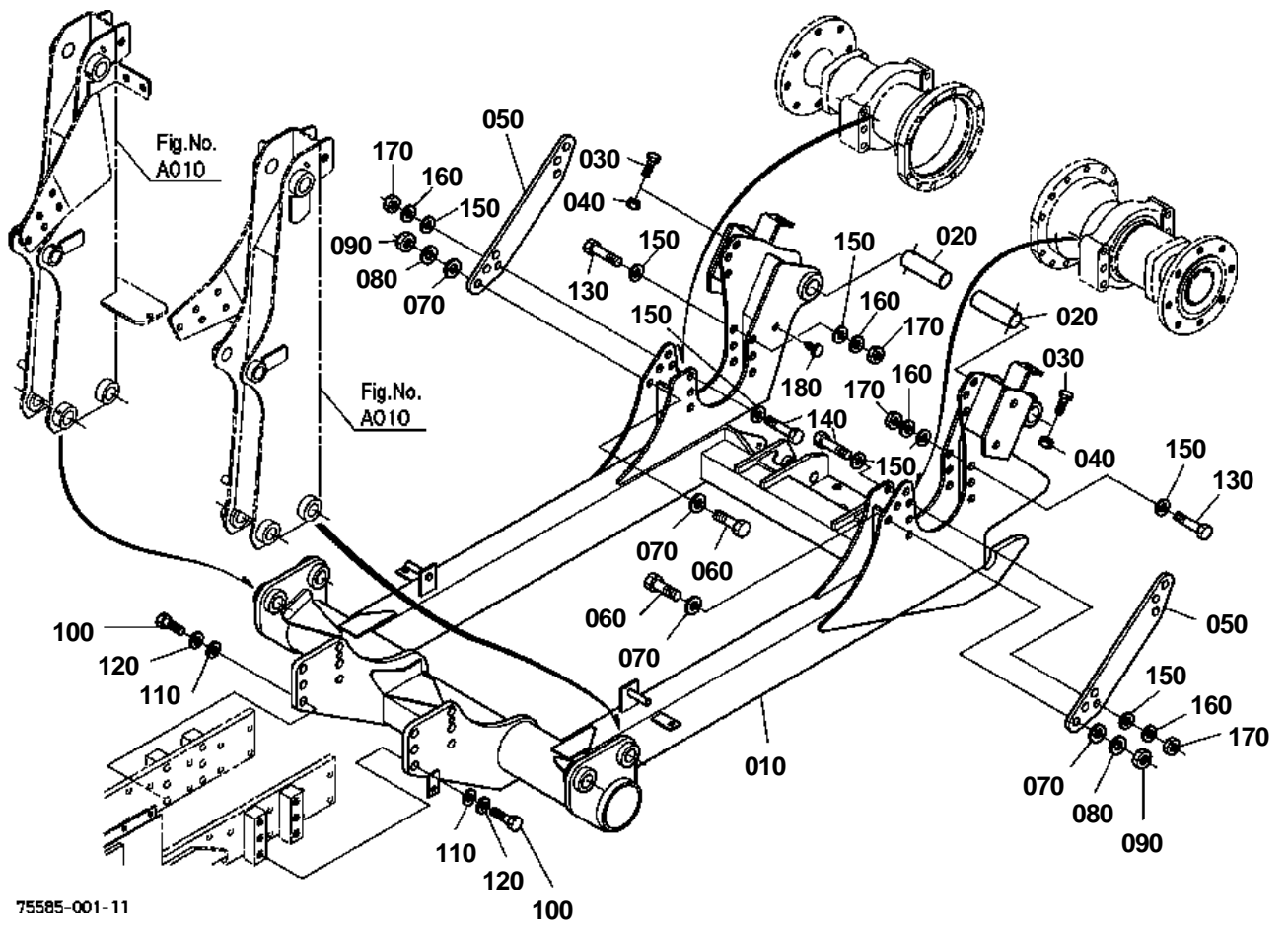
---



ACCESSORIES

Item	Part No.	Description	Book
CHASSIS	01A001	MAIN FRAME	100K0791
	01A010	SIDE FRAME	100K0791
	01A020	FRONT GUARD	100K0791
CHASSIS PIPING	01A11001	CYLINDER/HYDRAULIC HOSE	100K0791
	01A11002	CYLINDER/HYDRAULIC HOSE	100K0791
	01A120	HYDRAULIC TUBE	100K0791
ARM	01A350	BOOM	100K0791
BUCKET	02A360	BUCKET	100K0791
HYDRAULIC VALVE	01A501	CONTROL VALVE 1 [COMPONENT PARTS]	100K0791
	01A502	CONTROL VALVE 2 [COMPONENT PARTS]	100K0791
CHASSIS PIPING	01A510	CONTROL VALVE	100K0791
	01A540	CONTROL LEVER	100K0791
	01A550	LEVER COVER	100K0791
HYDRAULIC CYLINDER	01A700	CYLINDER (BOOM) [COMPONENT PARTS]	100K0791
	01A705	CYLINDER (BUCKET) [COMPONENT PARTS]	100K0791
ACCESSORIES	01A910	ACCESSORIES AND SERVICE PARTS	100K0791

MAIN FRAME



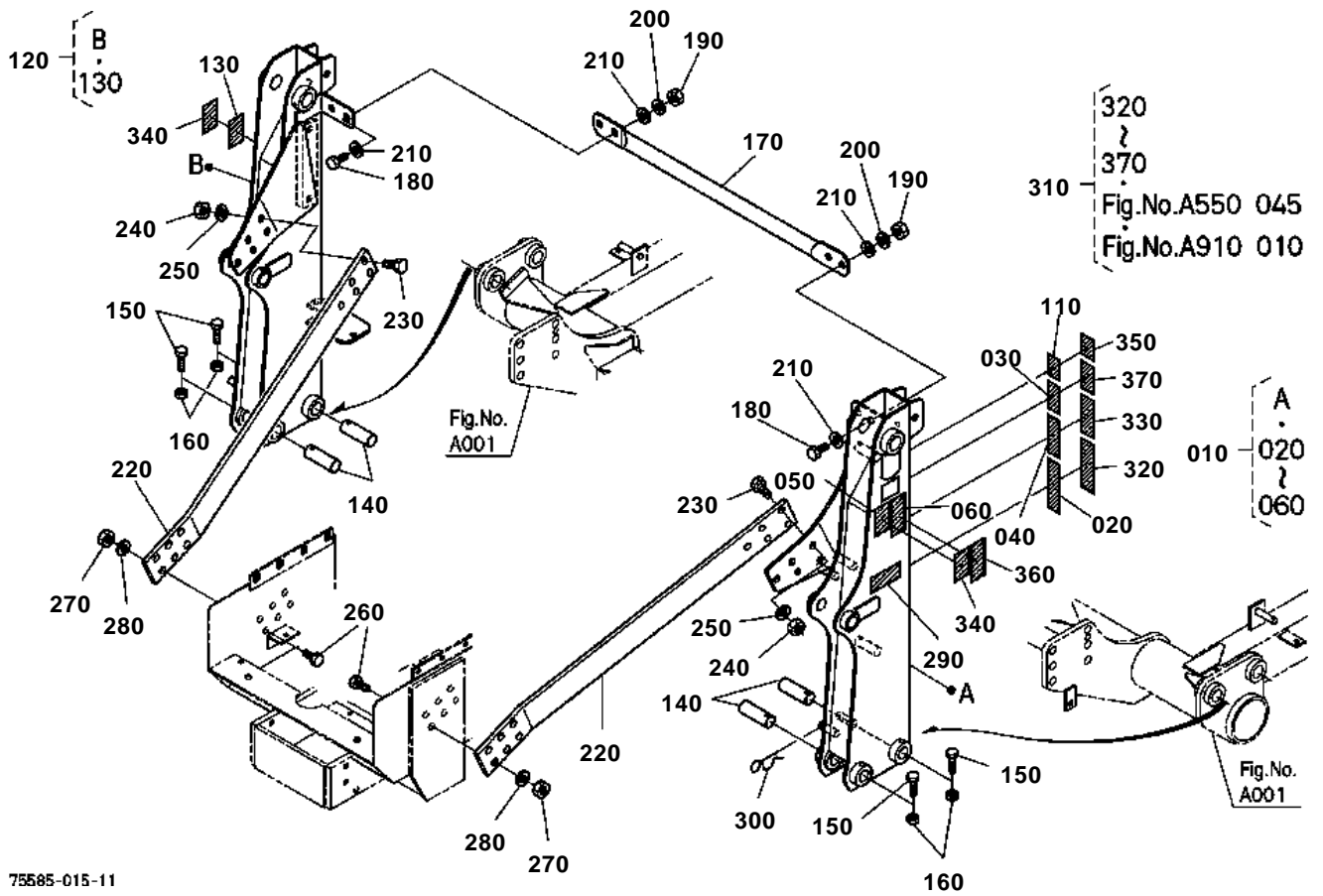


# MAIN FRAME

↔ Interchangeable; ≠ not interchangeable; ← new for old; → old for new

REF.No	Part No.	Description	Q'ty	S.No.	I/C	REMARKS	Weight (kgf)	Weight (lb)
010	32771-29110	FRAME MAIN	1				0	0
020	32771-29140	PIN MAIN FRAME	2				1.05	2.31
030	75599-01165	HEX.BOLT	2			(1/4-20UNC*3-1/4)	0.022	0.0484
040	75599-31911	NUT LOCKING	2			(1/4-20UNC)	0.004	0.0088
050	32771-29170	PLATE CONNECTING	2				0	0
060	75599-04735	HEX.BOLT	12			(5/8-18UNF*1-3/4)	0.09	0.198
070	75599-32517	WASHER PLAIN	24			(5/8HD)	0.016	0.0352
080	75599-33017	WASHER SPRING LOCK	12			(5/8)	0.005	0.011
090	75599-31067	HEX.NUT	12			(5/8-18UNF)	0.032	0.0704
100	01073-51650	BOLT	12				0.105	0.231
110	75599-32517	WASHER PLAIN	12			(5/8HD)	0.016	0.0352
120	75599-33017	WASHER SPRING LOCK	12			(5/8)	0.005	0.011
130	75599-04680	HEX.BOLT	10			(9/16-18UNF*4)	0.143	0.3146
140	75599-04690	HEX.BOLT	2			(9/16-18UNF*4-1/2)	0.16	0.352
150	75599-32516	WASHER PLAIN	24			(9/16HD)	0.011	0.0242
160	75599-33016	WASHER SPRING	12			(9/16)	0.08	0.176
160	0Y450-50090	WASHER SPRING	12				0.007	0.0154
170	75599-31066	HEX.NUT	12			(9/16-18UNF)	0.03	0.066
180	75595-61270	CLIP BUTTON	1				0.001	0.0022

SIDE FRAME



75585-015-11



## SIDE FRAME

↔ Interchangeable; ≠ not interchangeable; ← new for old; → old for new

REF.No	Part No.	Description	Q'ty	S.No.	I/C	REMARKS	Weight (kgf)	Weight (lb)
010	75585-90130	FRAME SIDE LH(LABEL)	1				0	0
020	75546-56410	LABEL DANGER 1	1	<=11791		ENGLISH	0	0
020	7J246-56410	LABEL DANGER 1	1	>=11792	↔	ENGLISH	0.002	0.0044
030	75567-56420	LABEL DANGER 2	1	<=11791		ENGLISH	0	0
030	7J246-56420	LABEL DANGER 2	1	>=11792	↔	ENGLISH	0.001	0.0022
040	75546-56430	LABEL DANGER 3	1	<=11791		ENGLISH	0	0
040	7J246-56430	LABEL DANGER 3	1	>=11792	↔	ENGLISH	0.002	0.0044
050	75546-56440	LABEL WARNING 1	1	<=11791		ENGLISH	0	0
050	7J246-56440	LABEL WARNING 1	1	>=11792	↔	ENGLISH	0	0
050	7J246-56442	LABEL WARNING 1	1	>=11945	↔	ENGLISH	0.01	0.022
060	75546-56450	LABEL CAUTION 1	1	<=11791		ENGLISH	0.001	0.0022
060	7J246-56450	LABEL CAUTION 1	1	>=11792	↔	ENGLISH	0.002	0.0044
070	99999-99999	BLANK	0				0	0
080	99999-99999	BLANK	0				0	0
090	99999-99999	BLANK	0				0	0
100	99999-99999	BLANK	0				0	0
110	75580-56370	LABEL LUBRICATE	1			ENGLISH	0.001	0.0022
120	75585-90140	FRAME SIDE RH(LABEL)	1				0	0
130	75546-56440	LABEL WARNING 1	1	<=11791		ENGLISH	0	0
130	7J246-56440	LABEL WARNING 1	1	>=11792	↔	ENGLISH	0	0
130	7J246-56442	LABEL WARNING 1	1	>=11945	↔	ENGLISH	0.01	0.022
140	75585-56050	PIN MAIN FRAME	4				0.82	1.804
150	75599-04360	HEX.BOLT	4			(3/8-24UNF*3)	0.05	0.11
160	75599-31923	NUT LOCKING	4			(3/8-24UNF)	0.007	0.0154
170	75585-56710	CONNECTOR	1				0	0
180	75599-04630	HEX.BOLT	4			(9/16-18UNF*1-1/2)	0.067	0.1474
190	75599-31066	HEX.NUT	4			(9/16-18UNF)	0.03	0.066
200	75599-33016	WASHER SPRING	4			(9/16)	0.08	0.176
200	0Y450-50090	WASHER SPRING	4		↔		0.007	0.0154
210	75599-32516	WASHER PLAIN	8			(9/16HD)	0.011	0.0242
220	75585-57410	BRACE	2				10.5	23.1
230	75599-04735	HEX.BOLT	10			(5/8-18UNF*1-3/4)	0.09	0.198
240	75599-31067	HEX.NUT	10			(5/8-18UNF)	0.032	0.0704
250	75599-33017	WASHER SPRING LOCK	10			(5/8)	0.005	0.011
260	75599-04640	HEX.BOLT	10			(9/16-18UNF*2)	0.08	0.176
270	75599-31066	HEX.NUT	10			(9/16-18UNF)	0.03	0.066
280	75599-33016	WASHER SPRING	10			(9/16)	0.08	0.176
280	0Y450-50090	WASHER SPRING	10		↔		0.007	0.0154
290	75585-58460	LABEL TL1150	2				0.005	0.011
300	75599-56006	HAIRPIN COTTER	2				0.01	0.022
310	75585-95500	KIT FRENCH TL1150	1	<=12399		FRENCH	0	0
310	75585-95502	KIT FRENCH TL1150	1	>=12340	↔	FRENCH	0	0
320	75546-99610	LABEL DANGER 1(F)	1	<=12339		FRENCH	0	0
320	75546-99613	LABEL DANGER 1(F)	1	>=12340	↔	FRENCH	0.001	0.0022
330	75546-99630	LABEL DANGER 3(F)	1	<=12339		FRENCH	0	0
330	75546-99632	LABEL DANGER 3(F)	1	>=12340	↔	FRENCH	0.01	0.022
340	75546-99640	LABEL WARNING 1(F)	2	<=12399		FRENCH	0	0
340	75546-99642	LABEL WARNING 1(F)	2	>=12340	↔	FRENCH	0.001	0.0022
350	75580-95550	LABEL LUBRICATE FREN	1			FRENCH	0.001	0.0022
360	75546-99650	LABEL CAUTION(F)	1	<=12399		FRENCH	0	0
360	75546-99654	LABEL CAUTION(F)	1	>=12340	↔	FRENCH	0.003	0.0066



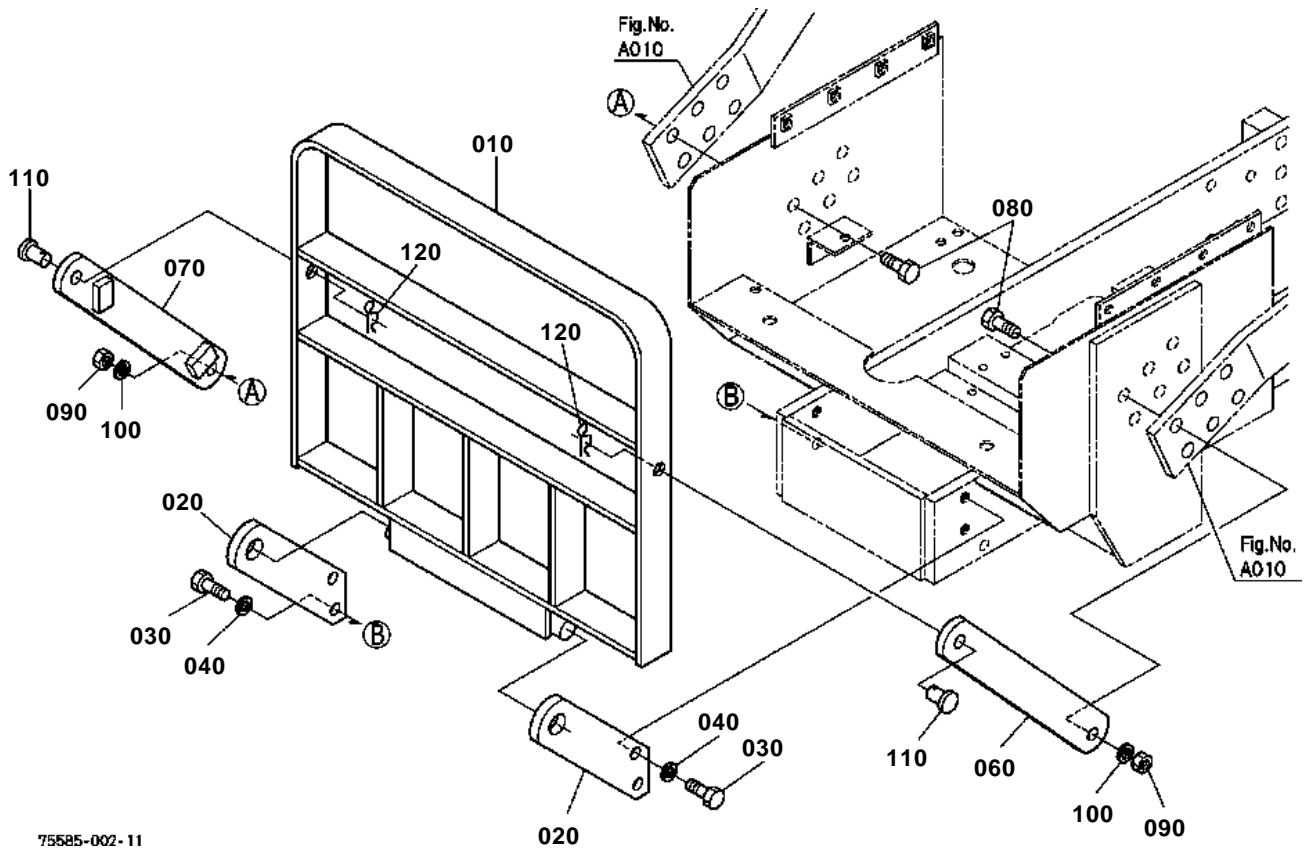
**SIDE FRAME**

↔ Interchangeable; ≠ not interchangeable; ← new for old; → old for new

REF.No	Part No.	Description	Q'ty	S.No.	I/C	REMARKS	Weight (kgf)	Weight (lb)
370	75567-99620	LABEL DANGER 2(F)	1	<=12399		FRENCH	0	0
370	75567-99622	LABEL DANGER 2(F)	1	>=12340	-	FRENCH	0.003	0.0066



FRONT GUARD



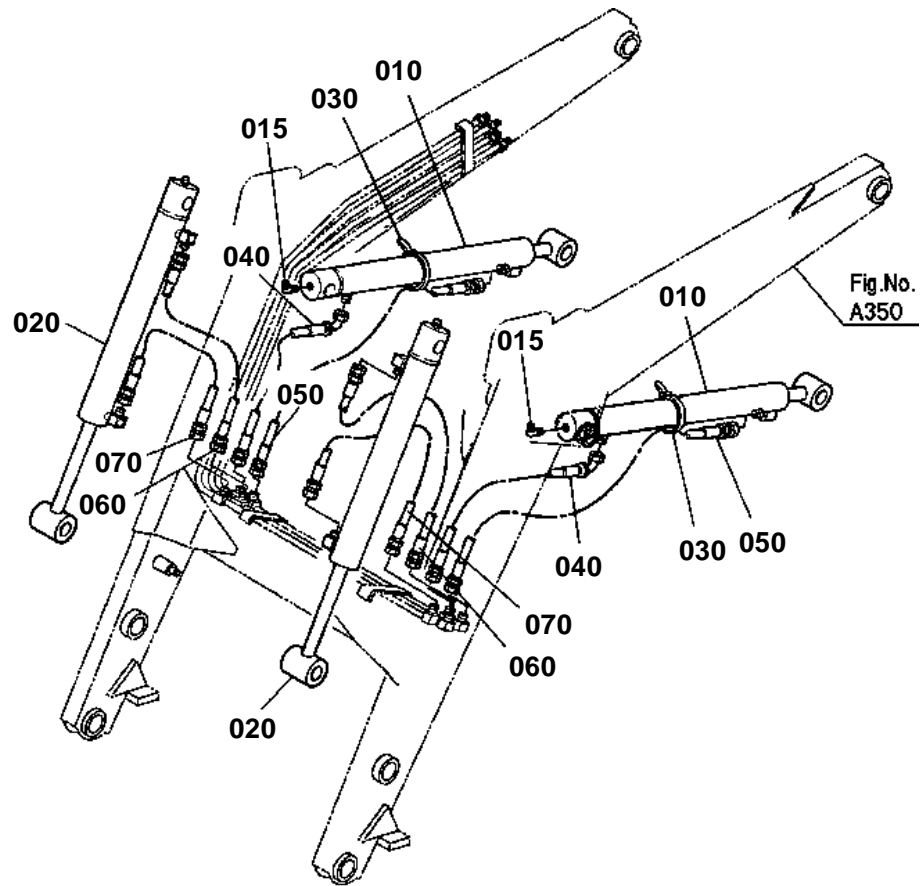
75585-002-11



# FRONT GUARD

↔ Interchangeable; ≠ not interchangeable; ← new for old; → old for new

REF.No	Part No.	Description	Q'ty	S.No.	I/C	REMARKS	Weight (kgf)	Weight (lb)
010	32751-96710	GUARD FRONT	1				0	0
020	32751-96720	STAY 1(FRONT GUARD)	2				0	0
030	01073-51235	BOLT	4			(M12*1.25*35)	0.045	0.099
040	04512-60120	WASHER SPRING	4				0.005	0.011
050	99999-99999	BLANK	0				0	0
060	75585-57960	STAY 2 LH(F/G)	1				2.1	4.62
070	75585-57970	STAY 2 RH(F/G)	1				2.05	4.51
080	75599-04650	HEX.BOLT	2			(9/16-18UNF*2-1/2)	0.1	0.22
090	75599-31066	HEX.NUT	2			(9/16-18UNF)	0.03	0.066
100	75599-33016	WASHER SPRING	2			(9/16)	0.08	0.176
100	0Y450-50090	WASHER SPRING	2		-		0.007	0.0154
110	75599-51725	PIN CLEVIS	2			(5/8*1-1/4)	0.06	0.132
120	75599-56006	HAIRPIN COTTER	2				0.01	0.022



75585-003-11

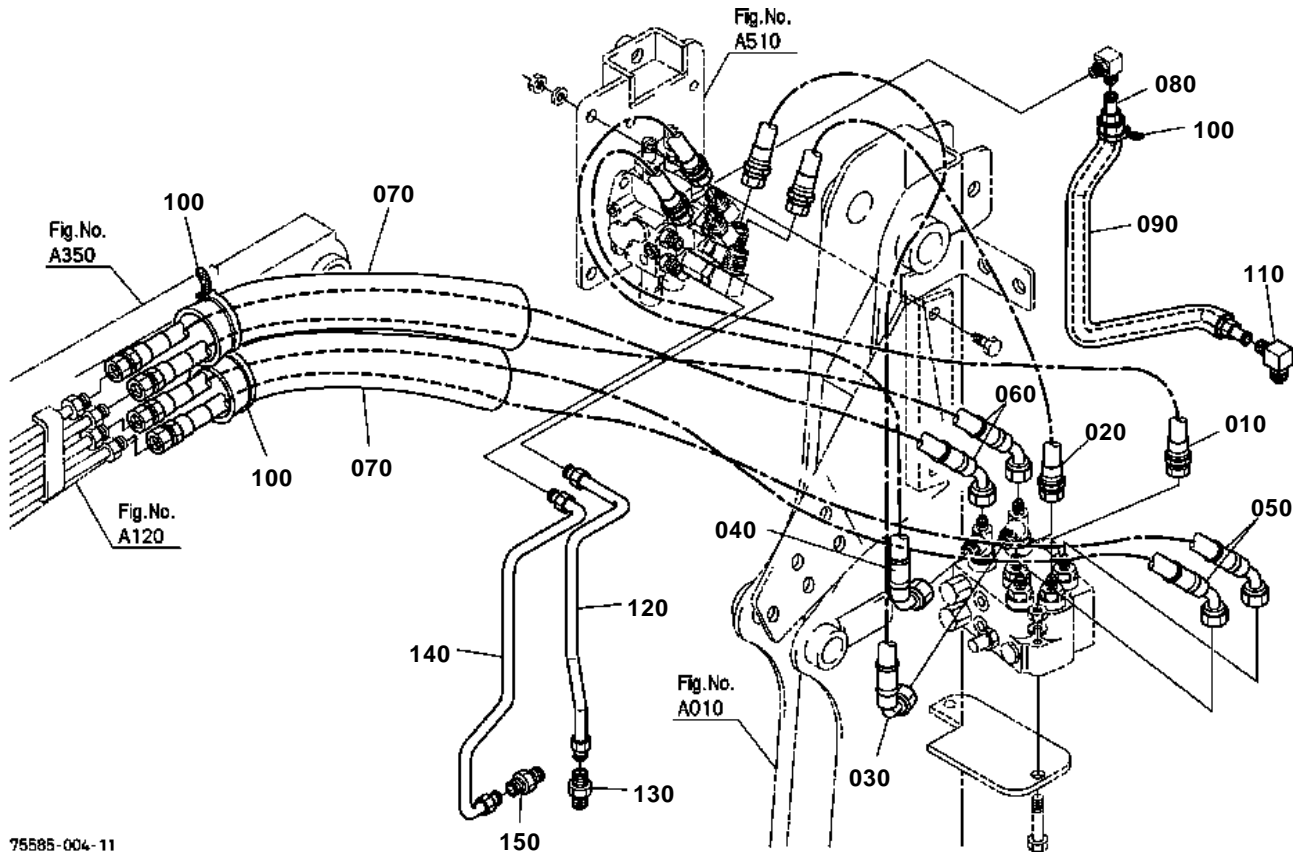


# CYLINDER/HYDRAULIC HOSE

↔ Interchangeable; ≠ not interchangeable; ← new for old; → old for new

REF.No	Part No.	Description	Q'ty	S.No.	I/C	REMARKS	Weight (kgf)	Weight (lb)
010	75585-63010	CYLINDER 1	2				15.5	34.1
015	75532-63470	FITTING GREASE	2			(90DEG.)	0.01	0.022
020	75585-64010	CYLINDER 2	2				12	26.4
030	75590-64650	BAND CODE	2				0.01	0.022
040	75585-66610	HOSE 8 HYDRAULIC	2				0.495	1.089
050	75585-66620	HOSE 9 HYDRAULIC	2				0.76	1.672
060	75585-66630	HOSE 10 HYDRAULIC	2				0.44	0.968
070	75585-66640	HOSE 11 HYDRAULIC	2				0.5	1.1

CYLINDER/HYDRAULIC HOSE



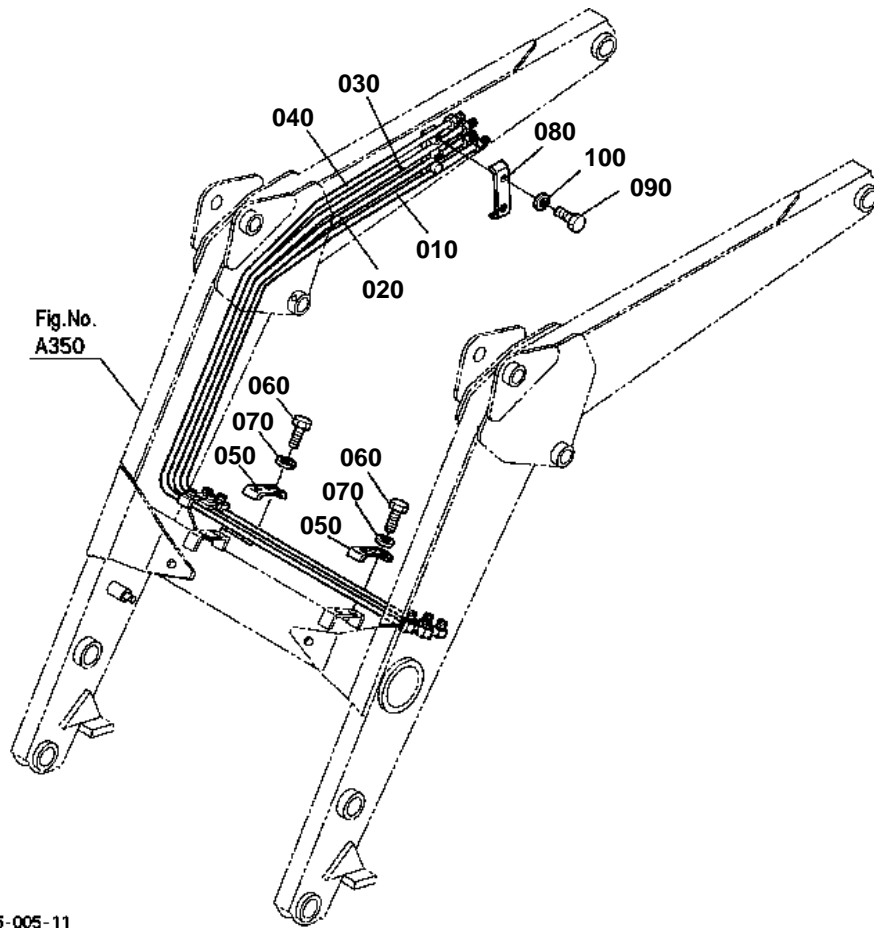
75585-004-11



## CYLINDER/HYDRAULIC HOSE

↔ Interchangeable; ≠ not interchangeable; ← new for old; → old for new

REF.No	Part No.	Description	Q'ty	S.No.	I/C	REMARKS	Weight (kgf)	Weight (lb)
010	75585-66110	HOSE 1 HYDRAULIC	1				0.51	1.122
020	75585-66120	HOSE 2 HYDRAULIC	1				0.55	1.21
030	75585-66130	HOSE 3 HYDRAULIC	1				0.57	1.254
040	75585-66140	HOSE 4 HYDRAULIC	1				0.5	1.1
050	75585-66650	HOSE 12 HYDRAULIC	2				0.79	1.738
060	75585-66670	HOSE 14 HYDRAULIC	2				0.8	1.76
070	75590-64580	SLEEVE	2				0.135	0.297
080	75585-66310	TUBE P.B.	1				0.56	1.232
090	75583-66330	SLEEVE 1	1				0.06	0.132
100	75590-64650	BAND CODE	3				0.01	0.022
110	75560-68530	ELBOW	1				0.16	0.352
120	75585-66410	TUBE PUMP	1				0.65	1.43
130	75567-68150	ADAPTER 2	1				0.08	0.176
140	75585-66510	TUBE TANK	1				0.65	1.43
150	75567-68150	ADAPTER 2	1				0.08	0.176



75585-005-11



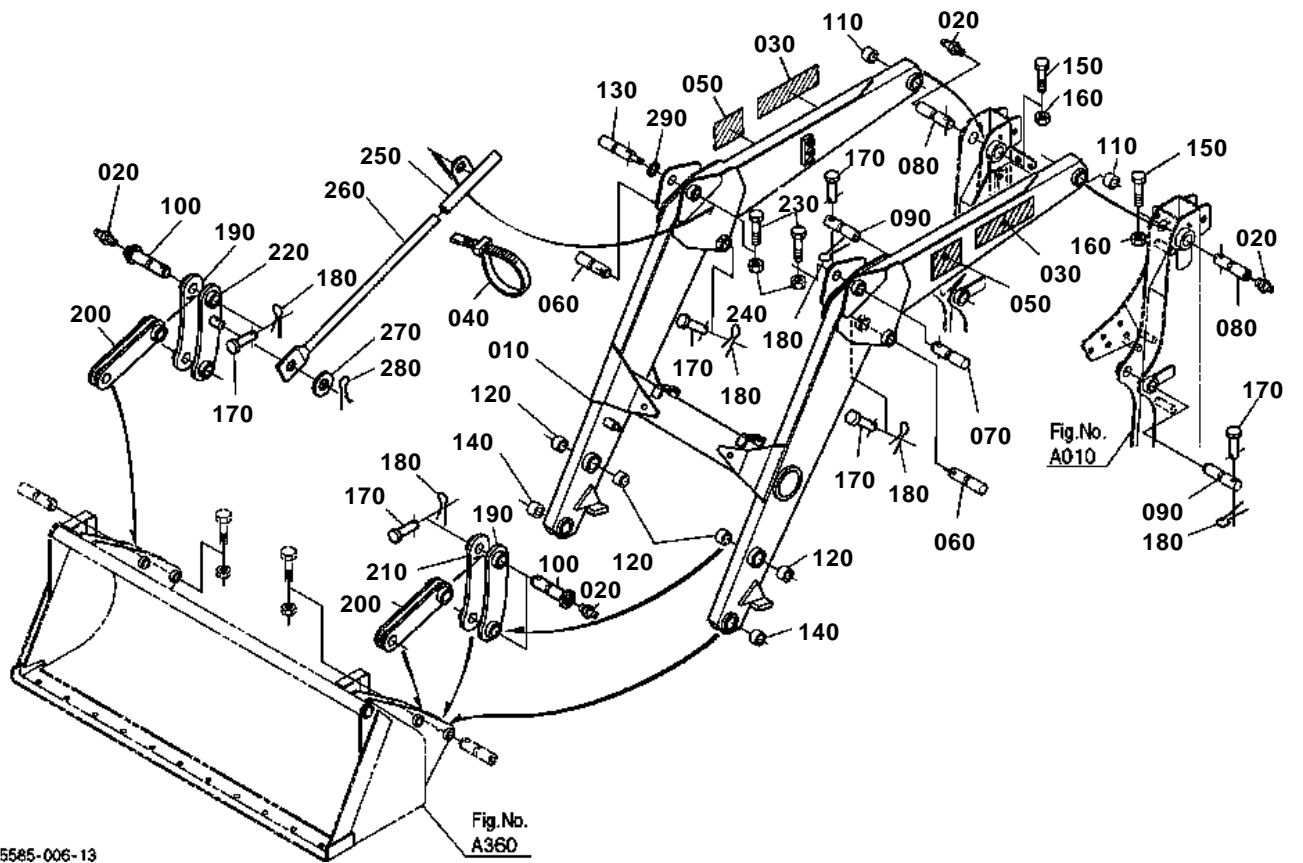
# HYDRAULIC TUBE

↔ Interchangeable; ≠ not interchangeable; ← new for old; → old for new

REF.No	Part No.	Description	Q'ty	S.No.	I/C	REMARKS	Weight (kgf)	Weight (lb)
010	75585-65110	TUBE 1 HYDRAULIC	1				1.23	2.706
020	75585-65210	TUBE 2 HYDRAULIC	1				0	0
030	75585-65310	TUBE 3 HYDRAULIC	1				0.75	1.65
040	75585-65410	TUBE 4 HYDRAULIC	1				1.26	2.772
050	75560-65510	CLAMP 1	2				0.11	0.242
060	75599-01225	HEX.BOLT	4			(5/16-18UNC*1-1/4)	0.015	0.033
070	75599-33012	WASHER SPRING	4			(5/16)	0.002	0.0044
080	75560-65530	CLAMP 2	1				0.16	0.352
090	75599-01220	HEX.BOLT	2			(5/16-18UNC*1)	0.012	0.0264
100	75599-33012	WASHER SPRING	2			(5/16)	0.002	0.0044



BOOM



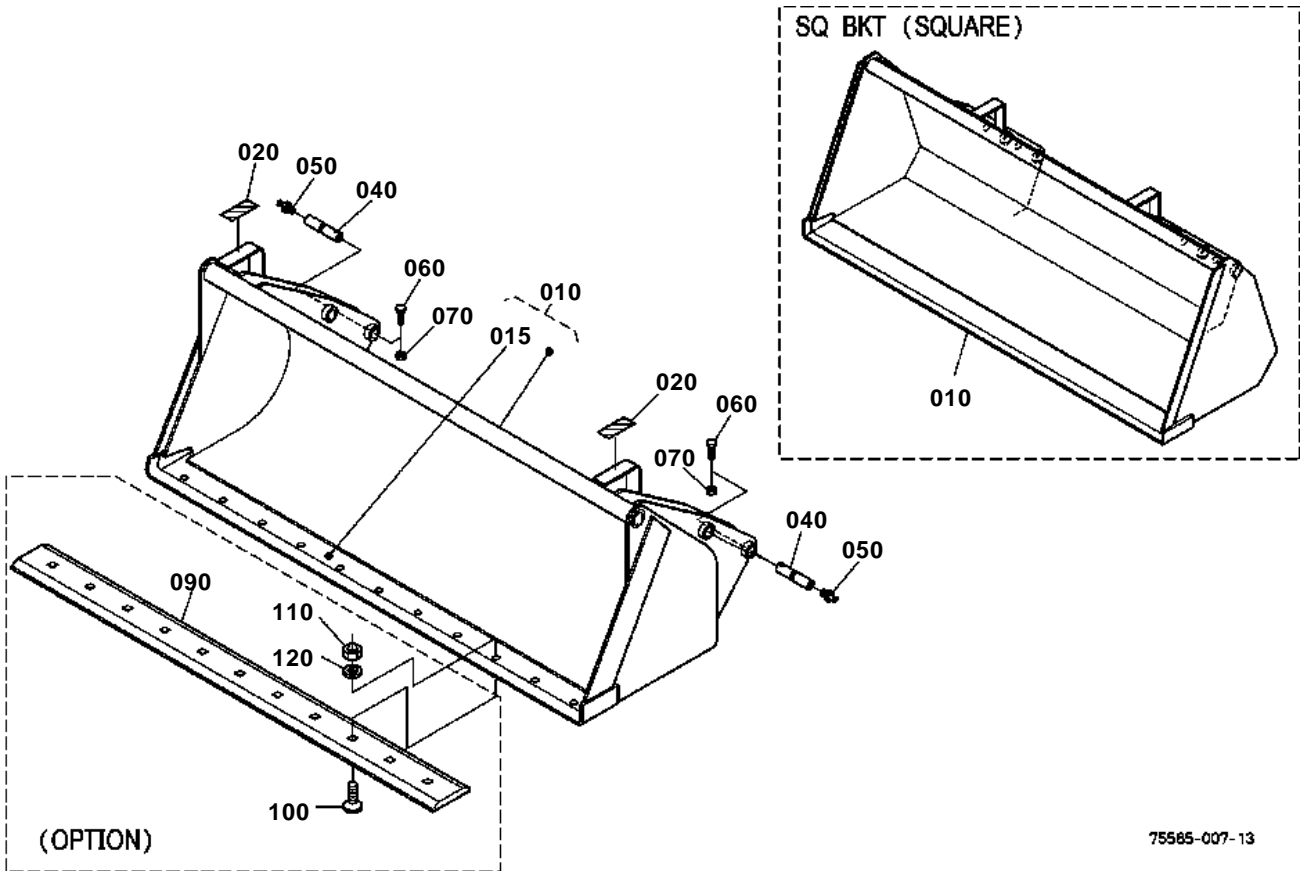
75585-006-13

**BOOM**

↔ Interchangeable; ≠ not interchangeable; ← new for old; → old for new

REF.No	Part No.	Description	Q'ty	S.No.	I/C	REMARKS	Weight (kgf)	Weight (lb)
010	75585-58010	BOOM	1	<=12528			0	0
010	75585-58012	BOOM	1	>=12529	-		196	431.2
020	75599-81521	FITTING GREASE	6			(1/4-28T.T)	0.003	0.0066
030	75580-58450	LABEL KUBOTA	2				0.01	0.022
040	75546-66920	BAND CODE	1			(14.5)	0.009	0.0198
050	75585-58470	LABEL L48	2				0.005	0.011
060	75582-58510	PIN 1	2				0.65	1.43
070	75563-58610	PIN 2	1				0.72	1.584
080	75585-58740	PIN 5	2				1.05	2.31
090	75585-58610	PIN 2	2				0	0
100	75585-58780	PIN 7	4				1	2.2
110	75585-58720	BUSHING 1	2				0.35	0.77
120	75585-58730	BUSHING 2	4				0.18	0.396
130	75585-58770	PIN 6	1				0.82	1.804
140	75563-58810	BUSHING	2				0.24	0.528
150	75599-04360	HEX.BOLT	2			(3/8-24UNF*3)	0.05	0.11
160	75599-31923	NUT LOCKING	2			(3/8-24UNF)	0.007	0.0154
170	75582-58520	PIN CLEVIS	8			(5/16*2-3/16)	0.02	0.044
180	75599-53172	PIN COTTER	8			(1/8*3/4)	0.01	0.022
190	75585-58800	COMP LINK 1	2				2.18	4.796
200	75585-58820	COMP LINK 2	2				4.04	8.888
210	75585-58850	COMP LINK 3	1				2.14	4.708
220	75585-58900	COMP LINK 4	1				0	0
230	75599-03250	HEX.BOLT	2			(5/16-18UNC*2-1/2)	0.027	0.0594
240	75599-31912	NUT LOCKING	2			(5/16-18UNC)	0.006	0.0132
250	7J261-58940	ASSY INDICATOR	1				0.46	1.012
260	75563-58950	ROD LEVEL	1				0.8	1.76
270	75599-32012	WASHER PLAIN	1			(5/16)	0.002	0.0044
280	75599-53152	PIN COTTER	1			(3/22*3/4)	0.001	0.0022
290	75599-41531	CIR-CLIP EXTERNAL	1				0.004	0.0088

BUCKET



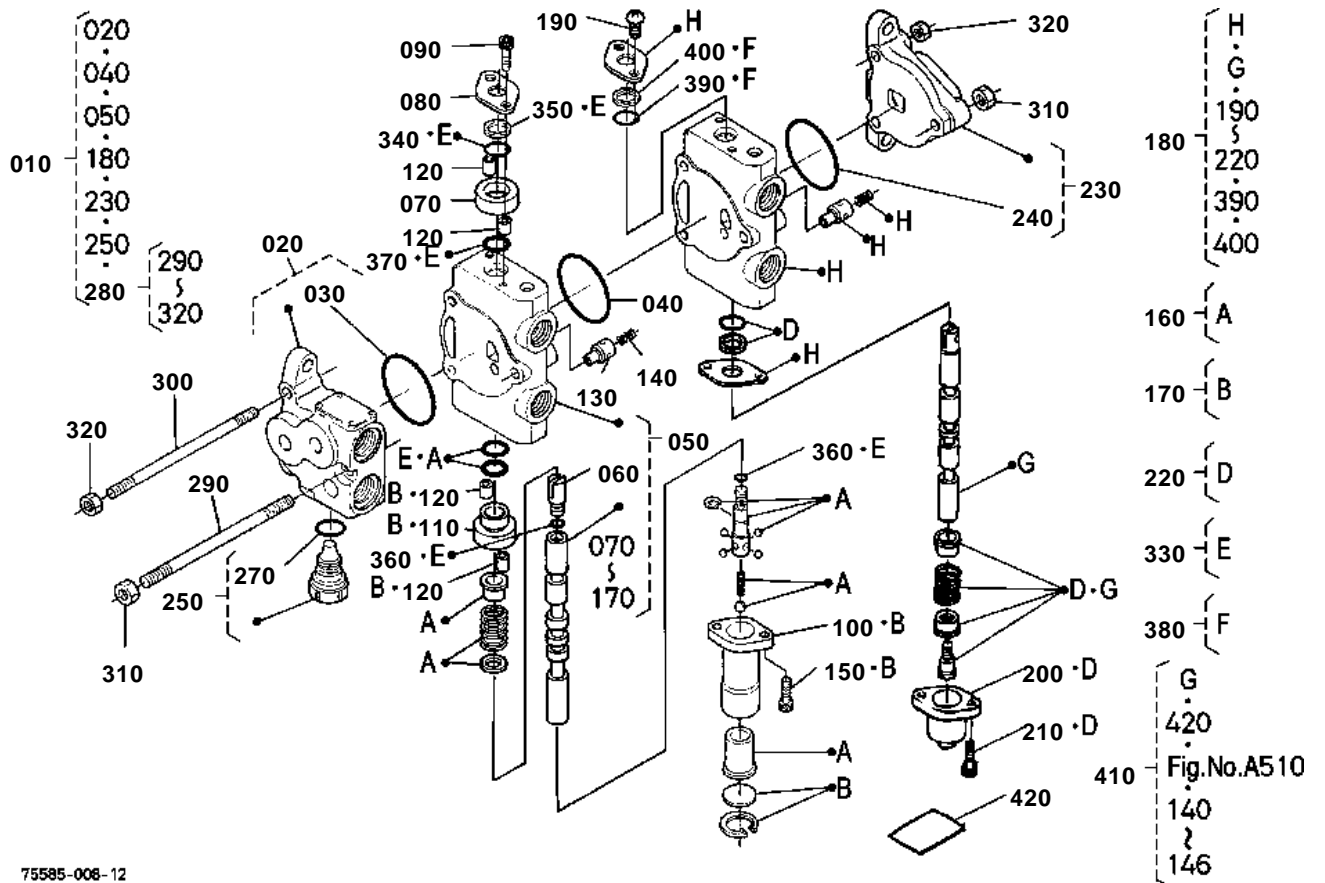
75585-007-13

**BUCKET**

↔ Interchangeable; ≠ not interchangeable; ← new for old; → old for new

REF.No	Part No.	Description	Q'ty	S.No.	I/C	REMARKS	Weight (kgf)	Weight (lb)
010	75585-79010	BUCKET 72	1			ROUND	0	0
010	75585-59010	BUCKET 72	1			SQUARD	0	0
015	75585-79320	EDGE CUTTING	1				60	132
020	75540-59450	LABEL LEVELER	2				0.001	0.0022
030	99999-99999	BLANK	0				0	0
040	75585-58710	PIN 3	4				0.8	1.76
050	75599-81521	FITTING GREASE	4			(1/4-28T.T)	0.003	0.0066
060	75599-03250	HEX.BOLT	4			(5/16-18UNC*2-1/2)	0.027	0.0594
070	75599-31912	NUT LOCKING	4			(5/16-18UNC)	0.006	0.0132
080	99999-99999	BLANK	0				0	0
090	75585-79810	BLADE BOLT ON	1			OPTION	31.5	69.3
100	75599-09535	PLOW BOLT	11			OPTION(1/2-13UNC1-3/4)	0.046	0.1012
110	75599-31015	HEX.NUT	11			OPTION(1/2-13UNC)	0.01	0.022
120	75599-33015	WASHER SPRING LOCK	11			OPTION(1/2)	0.006	0.0132
120	0Y450-50080	WASHER SPRING LOCK	11			OPTION	0	0

CONTROL VALVE 1 [COMPONENT PARTS]



75585-006-12

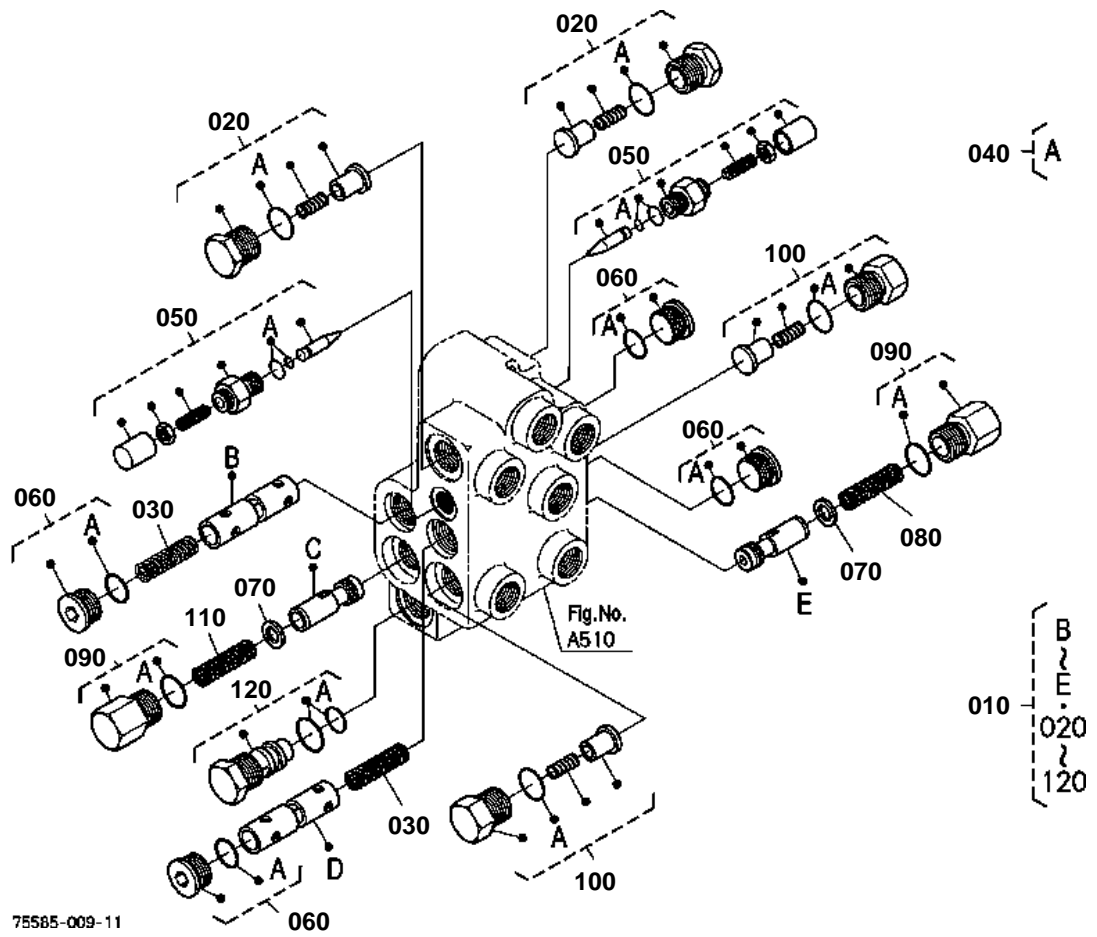


## CONTROL VALVE 1 [COMPONENT PARTS]

↔ Interchangeable; ≠ not interchangeable; ← new for old; → old for new

REF.No	Part No.	Description	Q'ty	S.No.	I/C	REMARKS	Weight (kgf)	Weight (lb)
010	75585-61010	VALVE CONTROL	1	<=11731			7.8	17.16
010	75540-61010	VALVE CONTROL	1	>=11732	1		8.1	17.82
020	75540-61200	ASSY INLET SECTION	1				1.4	3.08
030	75540-61250	O-RING	1			(564)	0.01	0.022
040	75540-61250	O-RING	1			(564)	0.01	0.022
050	75540-61300	ASSY SPOOL SECTION 1	1				2.6	5.72
060	75540-61310	CLEVIS END	1			(52233)	0.014	0.0308
070	75540-61320	SPACER-CAP SPOOL	1			(53589)	0.05	0.11
080	75540-61330	PLATE-SEAL	1			(5012)	0.012	0.0264
090	75540-61340	CAP SCREW-SOC.HD.	2			(5155)	0.001	0.0022
100	75540-61350	CAP-SPOOL	1			(5034)	0.07	0.154
110	75540-61360	SPACER-CAP SPOOL	1			(53799)	0.05	0.11
120	75540-61370	SPACER	4			(53800)	0.014	0.0308
130	75540-61380	POPPET-C.V.	1			(5011)	0.002	0.0044
140	75540-61390	SPRING	1			(5064)	0.001	0.0022
150	75540-61410	CAP SCREW-SOC.HD.	2			(3424)	0.01	0.022
160	75540-61420	KIT DETENT	1			(54697)	0.1	0.22
170	75540-61430	KIT CAP SPOOL SEC.1	1			(54642)	0.2	0.44
180	75585-61400	ASSY SPOOL SECTION 2	1	<=11731			0	0
180	75540-61400	ASSY SPOOL SECTION 2	1	>=11732	-		2.6	5.72
190	75540-61440	MACHINE SCREW-RD.HD.	2			(3432)	0.051	0.1122
200	75540-61450	CAP-SPOOL	1			(5028)	0.032	0.0704
210	75540-61460	CAP SCREW-SOC.HD.	2			(5035)	0.001	0.0022
220	75540-61470	KIT CAP SPOOL SEC.2	1				0.08	0.176
230	75540-61500	ASSY OUTLET SECTION	1				1.11	2.442
240	75540-61250	O-RING	1			(564)	0.01	0.022
250	75540-61600	ASSY PLUG	1			(11180)	0.06	0.132
260	99999-99999	BLANK	0				0	0
270	75540-61620	O-RING	1			(3384)	0.001	0.0022
280	75540-61700	KIT TIE ROD	1				0.16	0.352
290	75540-61710	TIE ROD	1			(5089-2)	0.08	0.176
300	75540-61720	TIE ROD	2			(5069-2)	0.05	0.11
310	75540-61730	NUT-SPECIAL	2			(1052)	0.02	0.044
320	75540-61740	NUT-SPECIAL	4			(1861)	0.001	0.0022
330	75540-99700	KIT SEAL SPOOL SEC.1	1				0.001	0.0022
340	75553-99810	O-RING	2			(60-113)	0.001	0.0022
350	75540-99720	WIPER	1			(5029)	0.002	0.0044
360	75540-99730	O-RING	2			(4623)	0.001	0.0022
370	75540-99740	O-RING	2			(1490)	0.001	0.0022
380	75540-99800	KIT SEAL SPOOL SEC.2	1				0.001	0.0022
390	75553-99810	O-RING	2			(60-113)	0.001	0.0022
400	75540-99720	WIPER	2			(5029)	0.002	0.0044
410	75585-99202	KIT SPOOL	1			OPTION	0.59	1.298
420	99999-99999	MANUAL ASSEMBLY	1			OPTION	0	0

CONTROL VALVE 2 [COMPONENT PARTS]





## CONTROL VALVE 2 [COMPONENT PARTS]

↔ Interchangeable; ≠ not interchangeable; ← new for old; → old for new

REF.No	Part No.	Description	Q'ty	S.No.	I/C	REMARKS	Weight (kgf)	Weight (lb)
010	75585-67010	VALVE SELF LEVEL	1	<=11063			0	0
010	75585-67013	VALVE SELF LEVEL	1	>=11064	→		0	0
010	75585-67014	VALVE SELF LEVEL	1	>=12355	→		10.1	22.22
020	75585-67110	PLUG ASSEMBLY	2	<=12354		(39055-909)	0.085	0.187
020	75585-67112	PLUG ASSEMBLY	2	>=12355	→	(16224-909)	0	0
030	75585-67120	SPRING	2			(17047-17)	0.002	0.0044
040	75585-67130	LOAD CHECK	1			(39055-912)	0.015	0.033
050	75585-67230	ADJUSTMENT CAP	2			(93055-910)	0.06	0.132
060	75585-67320	PLUG ASSEMBLY	4			(16103-310)	0.05	0.11
070	75585-67420	RETAINING RING	2			(16145-10)	0.001	0.0022
080	75585-67430	SPRING	1			(17045-16)	0.001	0.0022
090	75585-67440	PLUG ASSEMBLY	2			(39055-337)	0.1	0.22
100	75585-67450	PLUG ASSEMBLY	2			(16224-056)	0.09	0.198
110	75585-67620	SPRING	1			(17045-35)	0.02	0.044
120	75585-97700	RELIEF VALVE ASSEMBL	1	<=11063			0.125	0.275
120	75585-67700	RELIEF VALVE ASSEMBL	1	>=11064	→		0	0
120	75585-67703	RELIEF VALVE ASSEMBL	1	>=12355	→		0.14	0.308





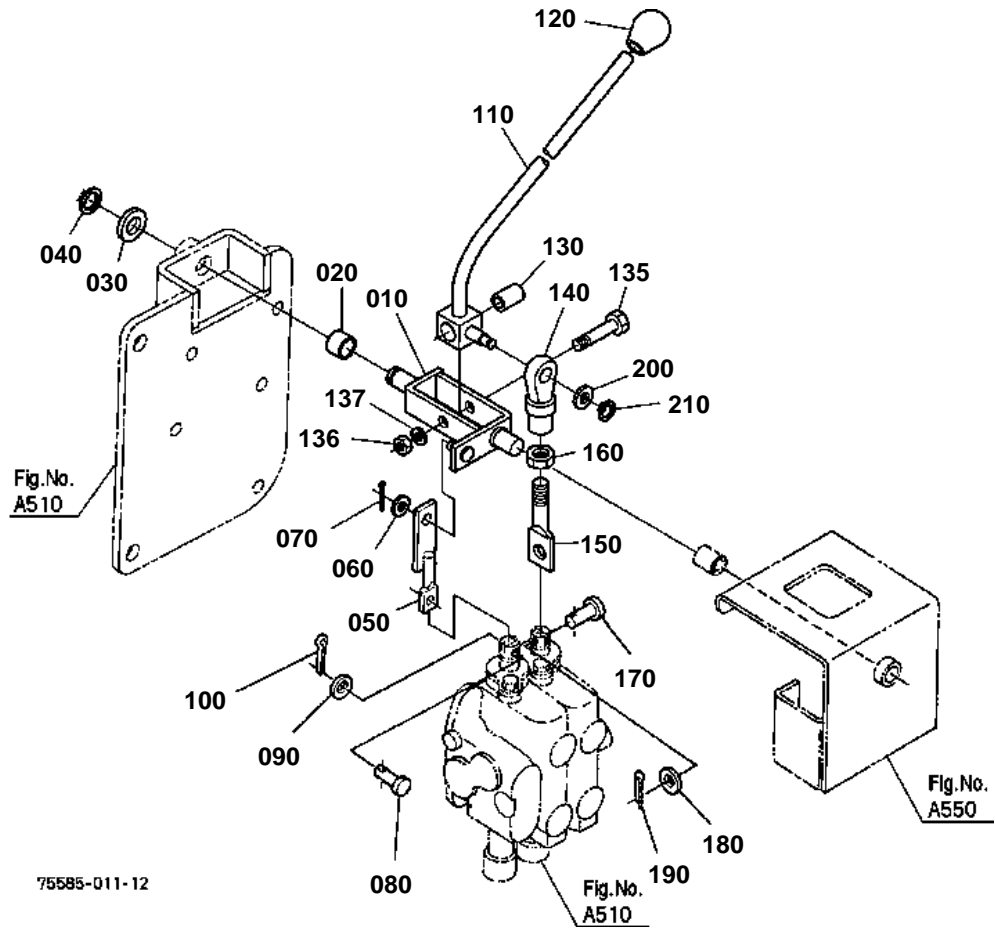


## CONTROL VALVE

↔ Interchangeable; ≠ not interchangeable; ← new for old; → old for new

REF.No	Part No.	Description	Q'ty	S.No.	I/C	REMARKS	Weight (kgf)	Weight (lb)
010	75585-61110	STAY VALVE	1				0	0
020	75599-03525	HEX.BOLT	2			(1/2-13UNC*1-1/4)	0.025	0.055
030	75599-31015	NUT	2			(1/2-13UNC)	0.01	0.022
040	75599-33015	WASHER SPRING LOCK	2			(1/2)	0.006	0.0132
040	0Y450-50080	WASHER SPRING LOCK	2		→		0	0
050	75585-61010	VALVE CONTROL	1	<=11731			7.8	17.16
050	75540-61010	VALVE CONTROL	1	>=11732	↑		8.1	17.82
060	75599-03325	HEX.BOLT	3			(3/8-16UNC*1-1/4)	0.021	0.0462
070	75599-31013	NUT	3			(3/8-16UNC)	0.006	0.0132
080	75599-33013	WASHER SPRING	3		→	(3/8)	0.006	0.0132
080	0Y450-50060	WASHER SPRING	3		→		0.003	0.0066
090	75548-61950	ASSY ELBOW ADJUSTABL	2				0	0
100	99999-99999	BLANK	0				0	0
110	75540-61820	O-RING	2				0.001	0.0022
120	75595-63400	ASSY PLUG ORIFICE	2				0.08	0.176
130	75540-61820	O-RING	2				0.001	0.0022
140	75567-61850	ASSY ADAPTER	1	>=11732			0.2	0.44
145	75540-61820	O-RING	1	>=11732			0.001	0.0022
146	75585-61880	THROTTLE	1	>=11732			0.008	0.0176
150	75560-61950	ASSY ELBOW 2 ADJUSTA	2				0.14	0.308
160	99999-99999	BLANK	0				0	0
170	75540-61820	O-RING	2				0.001	0.0022
180	75585-61800	ASSY ADAPTER	2				0.082	0.1804
190	75540-61820	O-RING	2				0.001	0.0022
200	75585-61900	ASSY ELBOW ADJUSTABL	1				0.15	0.33
210	75540-61820	O-RING	1				0.001	0.0022
220	75585-67010	VALVE SELF LEVEL	1	<=11063			0	0
220	75585-67013	VALVE SELF LEVEL	1	>=11064	→		0	0
220	75585-67014	VALVE SELF LEVEL	1	>=12355	→		10.1	22.22
230	75599-01255	HEX.BOLT	2			(5/16-18UNC*2-3/4)	0.034	0.0748
240	99999-99999	BLANK	0				0	0
250	75599-31912	NUT LOCKING	2			(5/16-18UNC)	0.006	0.0132
260	75585-61950	ASSY RUN TEE ADJUSTA	2				0.216	0.4752
270	75568-61820	O-RING	2				0.002	0.0044
280	75590-63600	ASSY ADAPTER	4			(7/8)	0.09	0.198
290	75590-63620	O-RING	4				0.01	0.022

CONTROL LEVER



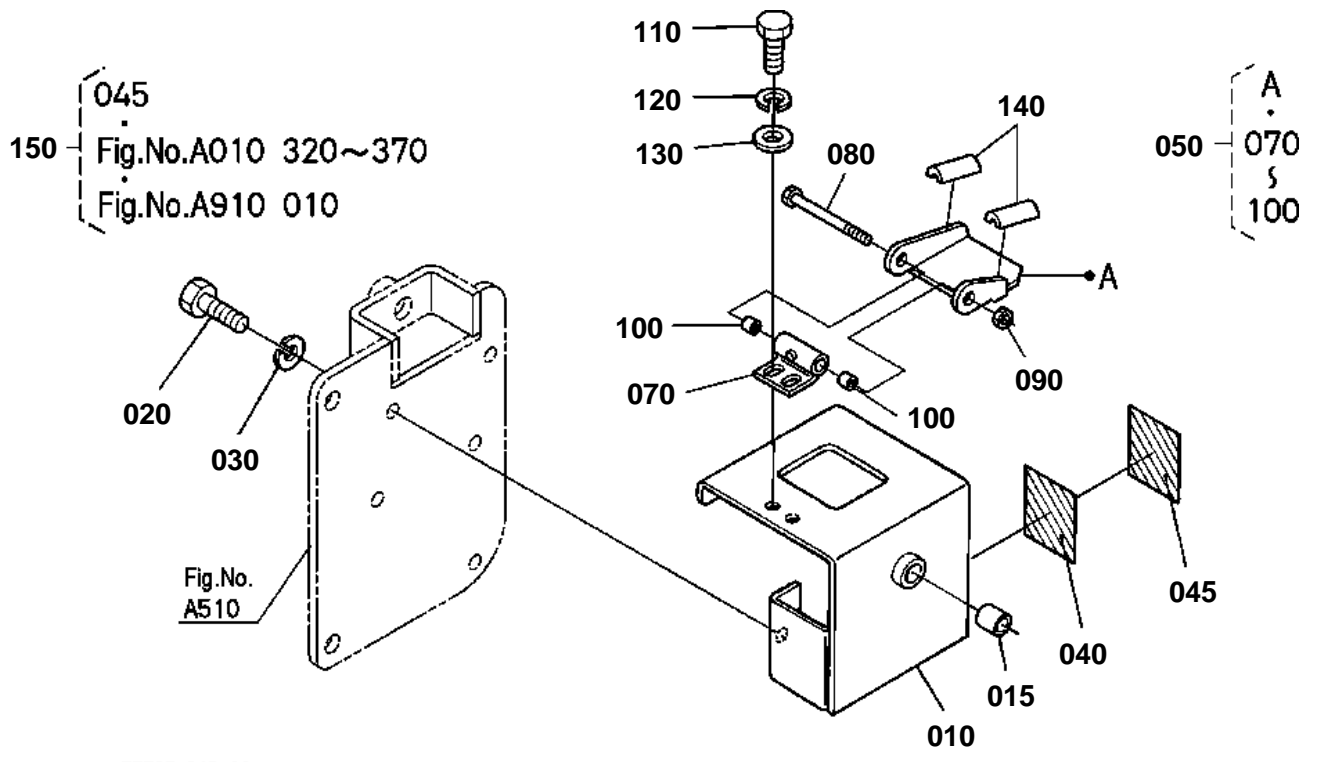


# CONTROL LEVER

↔ Interchangeable; ≠ not interchangeable; ← new for old; → old for new

REF.No	Part No.	Description	Q'ty	S.No.	I/C	REMARKS	Weight (kgf)	Weight (lb)
010	75583-62110	LEVER	1				0.355	0.781
020	75540-62140	BUSHING	1				0.01	0.022
030	75545-62150	COLLAR	1			(5/8)	0.014	0.0308
040	75599-41522	CIR-CLIP EXTERNAL	1			(5/8)	0.001	0.0022
050	75540-62160	ROD 1	1				0.05	0.11
060	75599-32012	WASHER PLAIN	1			(5/16)	0.002	0.0044
070	75599-53152	PIN COTTER	1			(3/32*3/4)	0.001	0.0022
080	75540-62190	PIN	1				0.018	0.0396
090	75599-32009	WASHER PLAIN	1			(3/16)	0.001	0.0022
100	75599-53111	PIN COTTER	1			(1/32*1/2)	0.001	0.0022
110	75585-62210	LEVER CONTROL	1				0.66	1.452
120	31355-82520	GRIP LEVER	1				0.05	0.11
130	75595-72150	SLEEVE	1				0.03	0.066
135	75599-04340	HEX.BOLT	1			(3/8-24UNF*2)	0.033	0.0726
136	75599-31023	NUT	1			(3/8-24UNF)	0.006	0.0132
137	75599-33013	WASHER SPRING	1			(3/8)	0.006	0.0132
137	0Y450-50060	WASHER SPRING	1		-		0.003	0.0066
140	75540-62260	JOINT ROD END	1				0.07	0.154
150	75540-62280	ROD 2	1				0.026	0.0572
160	75599-31043	HEX.JAM NUT	1			(3/8-24UNF)	0.005	0.011
170	75540-62190	PIN	1				0.018	0.0396
180	75599-32009	WASHER PLAIN	1			(3/16)	0.001	0.0022
190	75599-53111	PIN COTTER	1			(1/32*1/2)	0.001	0.0022
200	75540-62270	COLLAR	1				0.002	0.0044
210	75599-41515	CIR-CLIP EXTERNAL	1			(3/8)	0.001	0.0022

LEVER COVER



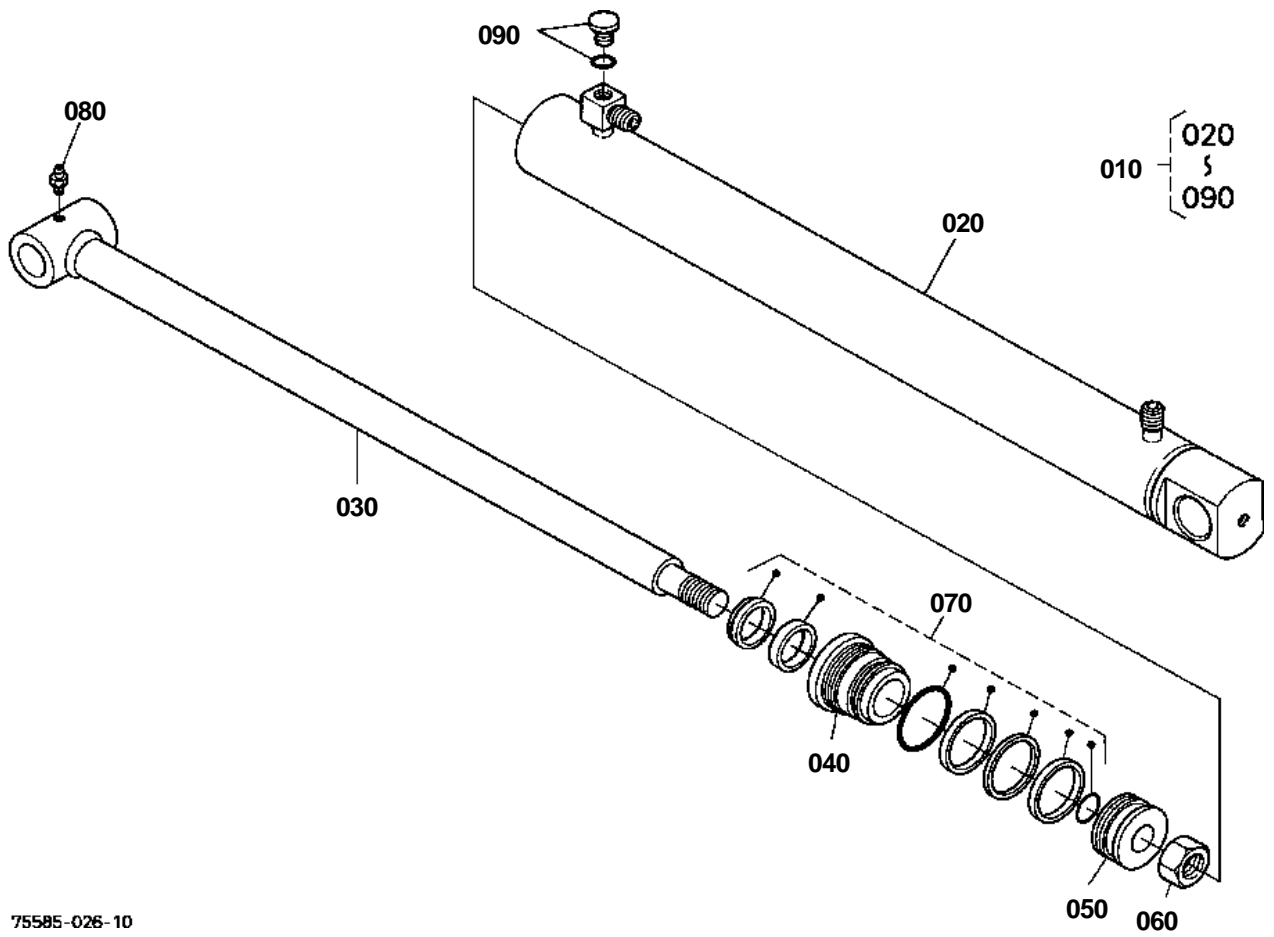


LEVER COVER

↔ Interchangeable; ≠ not interchangeable; ← new for old; → old for new

REF.No	Part No.	Description	Q'ty	S.No.	I/C	REMARKS	Weight (kgf)	Weight (lb)
010	75583-62310	COMP.COVER	1				0.9	1.98
015	75540-62140	BUSHING	1			(5/16-18UNC*3/4)	0.01	0.022
020	75599-01215	HEX.BOLT	2			(5/16)	0.011	0.0242
030	75599-33012	WASHER SPRING	2				0.002	0.0044
040	75540-62360	LABEL CONTROL	1			ENGLISH	0.001	0.0022
045	75553-99640	LABEL CONTROL(F)	1			FRENCH	0.001	0.0022
050	75583-62400	ASSY LIMITER	1				0	0
060	99999-99999	BLANK	0				0	0
070	75548-62420	HINGE	1				0.026	0.0572
080	75599-01255	HEX.BOLT	1			(5/16-18UNC*2-3/4)	0.034	0.0748
090	75599-31912	NUT LOCKING	1			(5/16-18UNC)	0.006	0.0132
100	75548-62440	CUSHION RUBBER	2				0.003	0.0066
110	75599-01212	HEX.BOLT	2			(5/16-18UNC*5/8)	0.012	0.0264
120	75599-33012	WASHER SPRING	2			(5/16)	0.002	0.0044
130	75599-32012	WASHER PLAIN	2			(5/16)	0.002	0.0044
140	75540-62450	CUSHION 1 RUBBER	2				0.001	0.0022
150	75585-95500	KIT FRENCH TL1150	1	<=12399		FRENCH	0	0
150	75585-95502	KIT FRENCH TL1150	1	>=12340	-	FRENCH	0	0

CYLINDER (BOOM) [COMPONENT PARTS]



75585-026-10



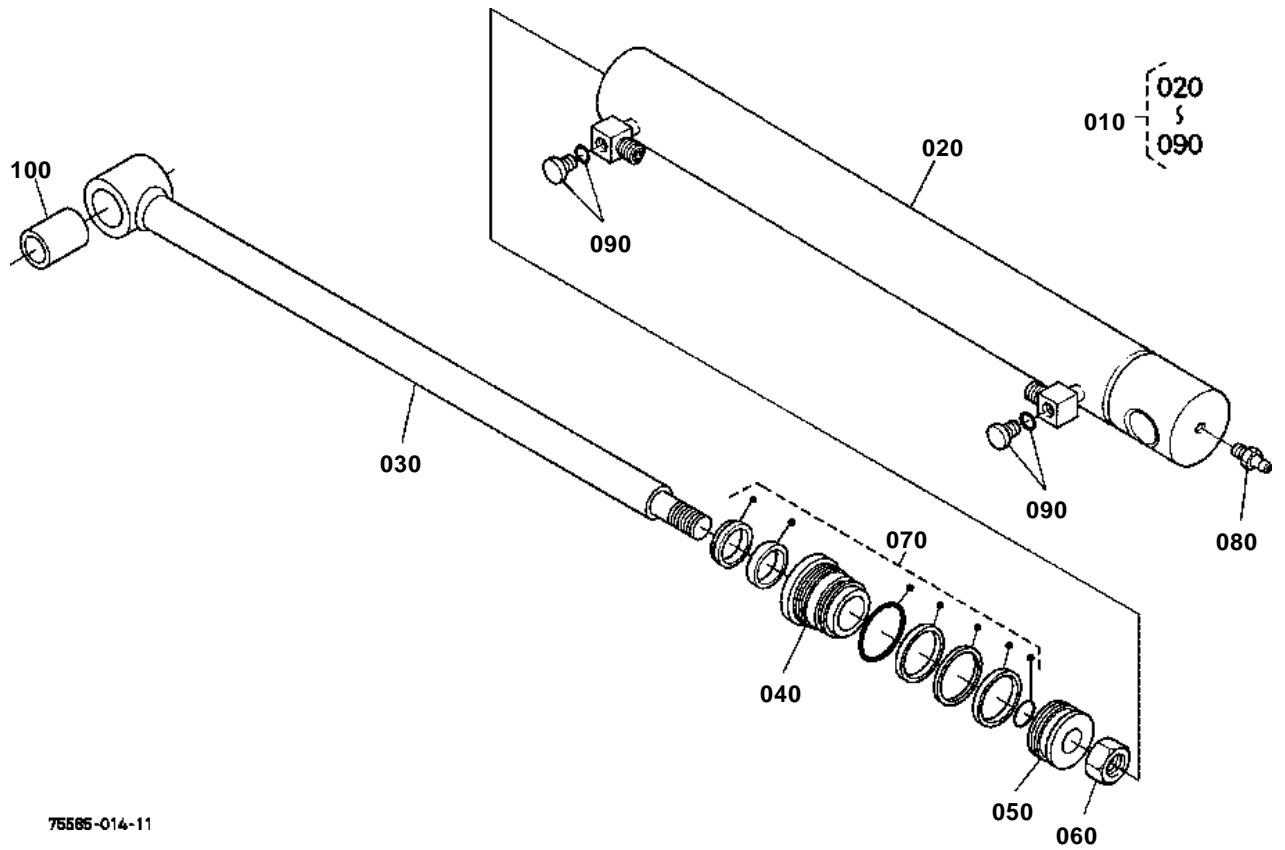
## CYLINDER (BOOM) [COMPONENT PARTS]

↔ Interchangeable; ≠ not interchangeable; ← new for old; → old for new

REF.No	Part No.	Description	Q'ty	S.No.	I/C	REMARKS	Weight (kgf)	Weight (lb)
010	75585-63010	CYLINDER 1	2				15.5	34.1
020	75585-63100	TUBE 1 COMP.	2				8.2	18.04
030	75585-63200	ROD 1 COMP.	2				7.4	16.28
040	75585-63310	HEAD	2				0	0
050	75585-63350	PISTON	2				0	0
060	75585-63360	NUT	2				0.17	0.374
070	75585-63400	KIT SEAL	2				0.03	0.066
080	75599-81531	FITTING GREASE	2			(1/8-27NPTF)	0.007	0.0154
090	75540-63490	PLUG	2				0.001	0.0022



CYLNDER (BUCET) [COMPONENT PARTS]



75585-014-11



# CYLINDER (BUCET) [COMPONENT PARTS]

↔ Interchangeable; ≠ not interchangeable; ← new for old; → old for new

REF.No	Part No.	Description	Q'ty	S.No.	I/C	REMARKS	Weight (kgf)	Weight (lb)
010	75585-64010	CYLINDER 2	2				12	26.4
020	75585-64100	TUBE 2 COMP.	2				10.2	22.44
030	75585-64200	ROD 2 COMP.	2				6.2	13.64
040	75585-52110	HEAD	2				0	0
050	75585-32210	PISTON	2			(2.50*0.88)	0	0
060	75585-63360	NUT	2				0.17	0.374
070	75585-52300	KIT SEAL	2				0.035	0.077
080	75599-81530	FITTING GREASE	2			(1/8-27NPTF)	0	0
090	75540-63490	PLUG	4				0.001	0.0022
100	75585-58790	BUSHING 3	2				0.2	0.44

**ACCESSORIES AND SERVICE PARTS  
ACCESSOIRES ET PIECES DE SERVICE  
SONTIGES ZUBEHOER UND SERVICE-TEILE**

TITLE-001-10



## ACCESSORIES AND SERVICE PARTS

↔ Interchangeable; ≠ not interchangeable; ← new for old; → old for new

REF.No	Part No.	Description	Q'ty	S.No.	I/C	REMARKS	Weight (kgf)	Weight (lb)
010	75585-69110	OPERATOR'S MANUAL	1	<=12013		ENGLISH	0	0
010	75585-69112	OPERATOR'S MANUAL	1	>=12014		ENGLISH	0.1	0.22
010	75585-95910	OPERATOR'S MANUAL(F)	1	<=12339		FRENCH	0	0
010	75585-95912	OPERATOR'S MANUAL(F)	1	>=12340		FRENCH	0	0