

Instructions for Parts Books

The heading at the top of the page will be the same for the picture of the parts as it is for the page with the part numbers.

Definition of column headings on part number pages:

REF.No → The number referring to the part on the picture page of the parts book.

Part No. → The number assigned to this part at the time of printing the parts book.

Description → Description of part.

Q'ty → Quantity of part used on that page.

S.No. → Serial number range of the equipment that this part will fit.

>= Your serial number should be greater than or equal to the number shown.

<= Your serial number should be lesser than or equal to the serial number shown.

I/C → Interchangeability of part shown.

↔ The part shown will work for the older and later serial number.

The part shown is not interchangeable with the other serial number.

← new for old

→ old for new

Remarks → Notes about this particular part. Sometimes this may say except [FR] or [CA]

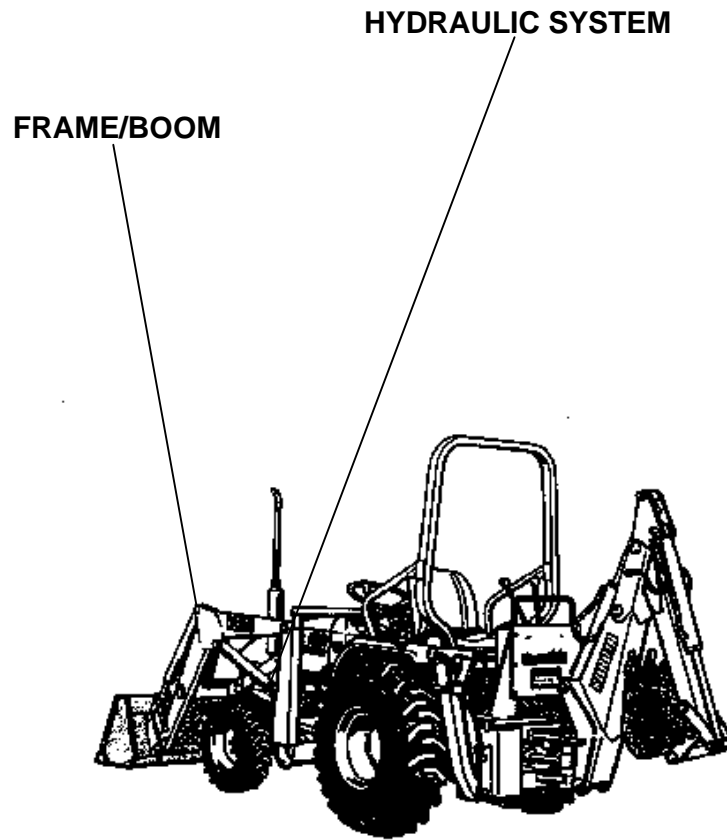
Note about Country Codes:

The parts books we use in the United States of America may also contain information about a part that would be different in another country. It is important that you are aware of the country codes in some instances.

Symbol	Country
A	United States of America
CA	Canada
FR	France
GR	Greece
PO	Portugal
AU	Australia

If the remarks column says for example EXCEPT [FR] this part works in all countries except France. That means it will work here in the USA.

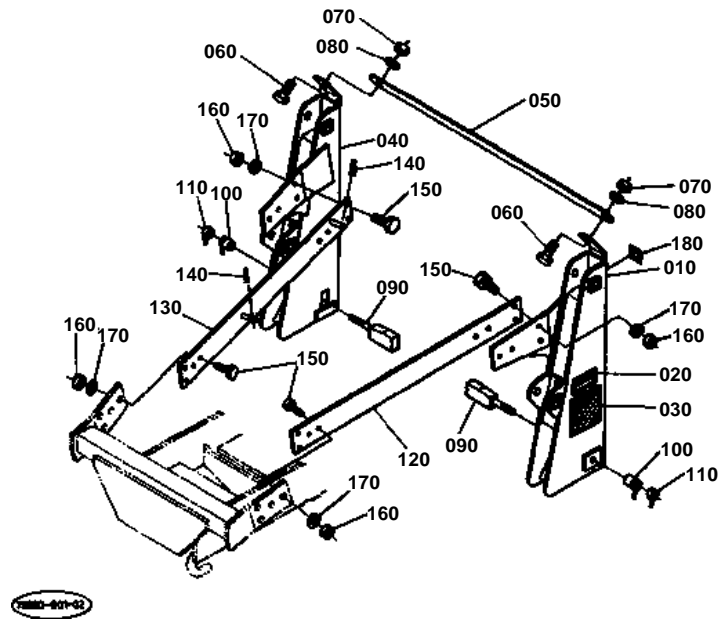
ALL PRODUCT INDEX
TL420(B20)



ACCESSORIES

Item	Part No.	Description	Book
FRAME/BOOM	01L01	SIDE FRAME	100K0460
	01L02	BOOM	100K0460
HYDRAULIC SYSTEM	01L03	CONTROL VALVE	100K0460
	01L04	CONTROL VALVE (NEW TYPE) [COMPONENT PARTS]	100K0460
	01L05	LEVER	100K0460
	01L06	CONTROL LEVER	100K0460
	01L07	CONTROL COVER	100K0460
	01L08	LINK	100K0460
	01L09	CYLINDER/HYDRAULIC HOSE	100K0460
	01L10	CYLINDER (BOOM) LH [COMPONENT PARTS]	100K0460
	01L11	CYLINDER (BOOM) RH [COMPONENT PARTS]	100K0460
	01L12	CYLINDER (BUCKET) LH [COMPONENT PARTS]	100K0460
	01L13	CYLINDER (BUCKET) RH [COMPONENT PARTS]	100K0460
	01L14	HYDRAULIC TUBE	100K0460
	01L15	DELIVERY/RETURN TUBE	100K0460
	ACCESSORIES	01L16	ACCESSORIES AND SERVICE PARTS

SIDE FRAME

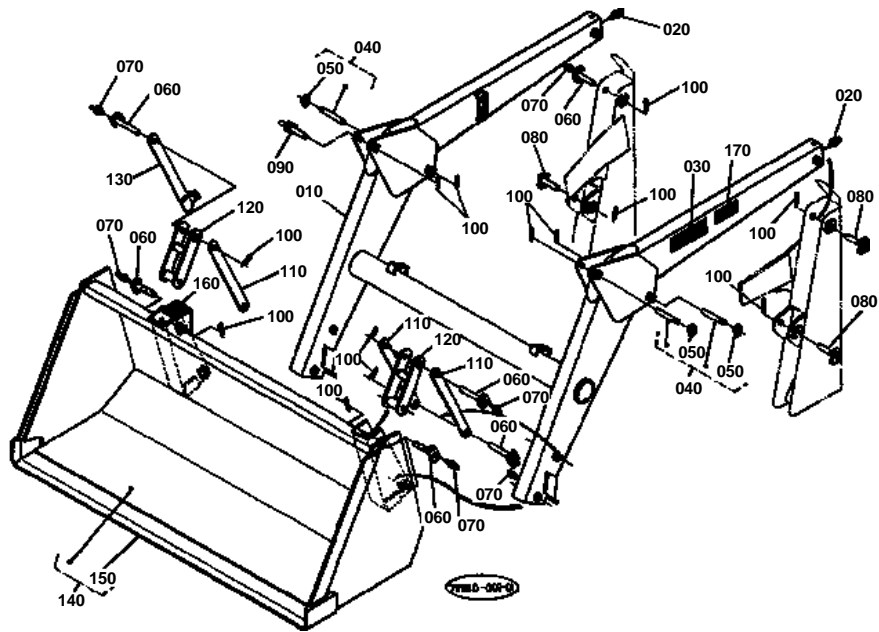


**SIDE FRAME**

↔ Interchangeable; ≠ not interchangeable; ← new for old; → old for new

REF.No	Part No.	Description	Q'ty	S.No.	I/C	REMARKS	Weight (kgf)	Weight (lb)
010	75580-56010	FRAME,SIDE LH	1				0	0
020	75580-56350	LABEL,MODEL	1				0	0
030	75540-56360	LABEL,CAUTION	1				0	0
040	75580-56030	FRAME,SIDE RH	1				0	0
050	75580-56710	CONNECTOR,SIDE FRAME	1				0	0
060	75599-04635	HEX.BOLT	2			(9/16-18UNF*1 3/4)	0	0
070	75599-31066	HEX.NUT	2			(9/16-18UNF)	0	0
080	75599-33016	WASHER,SPRING LOCK	2			(9/16)	0.08	0.176
090	75580-56810	BOLT,WEDGE	2				0	0
100	75540-56820	NUT 1,LOCK	2				0	0
110	75540-56830	NUT 2,LOCK	2				0	0
120	75580-57410	BRACE LH	1				0	0
130	75580-57420	BRACE RH	1				0	0
140	75540-56720	PIN,SPRING	2				0	0
150	75599-04630	HEX.BOLT	16			(9/16-18UNF*1 1/2)	0	0
160	75599-31066	HEX.NUT	16			(9/16-18UNF)	0	0
170	75599-33016	WASHER,SPRING LOCK	16			(9/16)	0.08	0.176
180	75580-56370	LABEL,LUBRICATE	1	≥11215			0	0

BOOM

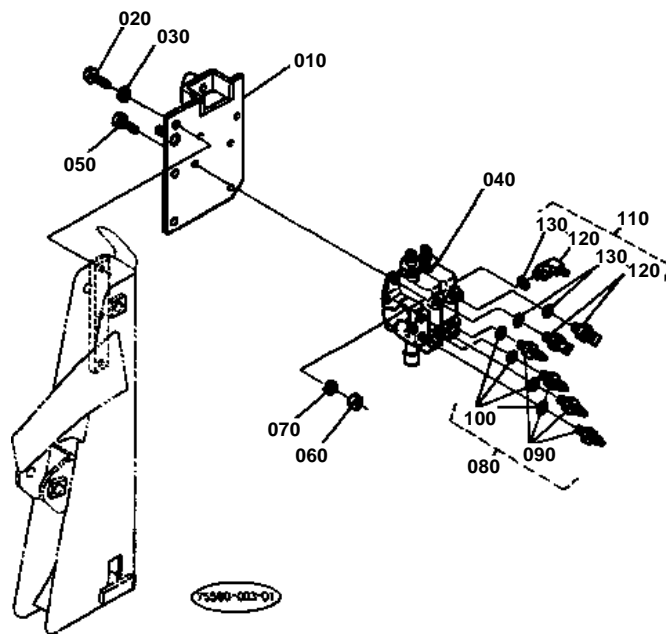


**BOOM**

↔ Interchangeable; ≠ not interchangeable; ← new for old; → old for new

REF.No	Part No.	Description	Q'ty	S.No.	I/C	REMARKS	Weight (kgf)	Weight (lb)
010	75580-58010	BOOM	1				0	0
020	75599-81521	FITTING,GREASE	2			(1/4-28T.T.)	0	0
030	75580-58450	LABEL,KUBOTA	2	<=10678			0	0
030	75580-58452	LABEL,KUBOTA	2	>=10679	≠		0	0
040	75540-58500	ASSY PIN 1	3				0	0
050	75599-41531	CIR-CLIP,EXTERNAL	3			(1)	0	0
060	75540-58710	PIN 3	9				0	0
070	75599-81521	FITTING,GREASE	9			(1/4-28T.T.)	0	0
080	75540-58740	PIN 4	3				0	0
090	75580-58770	PIN 6	1				0	0
100	75599-53216	PIN,COTTER	16			(3/16*1 3/4)	0	0
110	75580-58810	LINK 1	3				0	0
120	75580-58820	LINK 2	2				0	0
130	75580-58830	LINK 3	1				0	0
140	75580-59010	BUCKET 56	1				0	0
150	75580-59320	EDGE,CUTTING	1				0	0
160	75540-59450	LABEL,LEVELER	1				0	0
170	75580-58460	LABEL,TL420	2	<=10678			0	0
170	75580-58462	LABEL,TL420	2	>=10679	≠		0	0

CONTROL VALVE



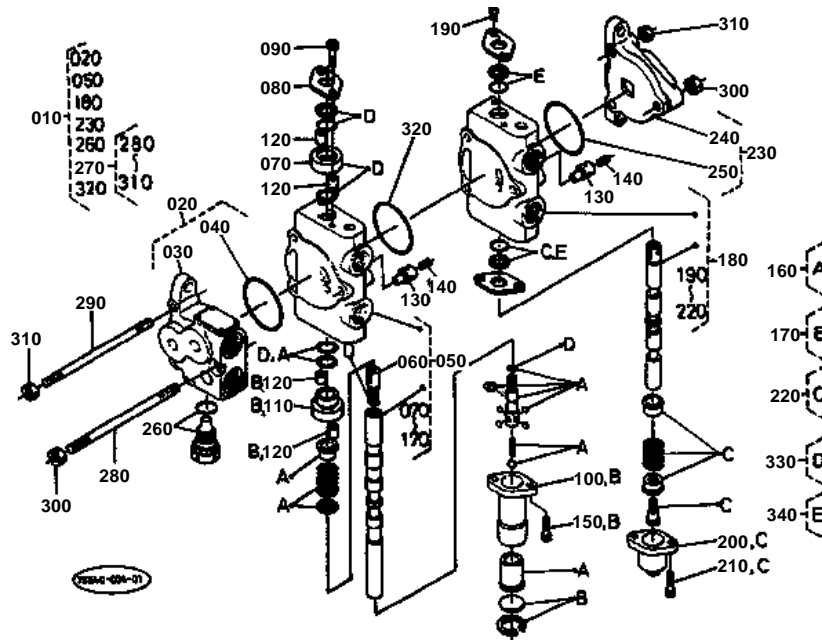


CONTROL VALVE

↔ Interchangeable; ≠ not interchangeable; ← new for old; → old for new

REF.No	Part No.	Description	Q'ty	S.No.	I/C	REMARKS	Weight (kgf)	Weight (lb)
010	75580-61110	STAY, VALVE	1				0	0
020	75599-03515	HEX.BOLT	3			(1/2-13*3/4)	0	0
030	75599-33015	WASHER, SPRING LOCK	3			(1/2)	0	0
040	75540-61010	VALVE, CONTROL	1	<=11018		REFER TO L.No. 0G03-L0 FOR COMPONENTS.	0	0
040	75540-61012	VALVE, CONTROL	1	>=11019	↔	REFER TO L.No. 0G03-R0 FOR COMPONENTS.	0	0
050	75599-03325	HEX.BOLT	3			(3/8-16UNC*1 1/4)	0	0
060	75599-31013	HEX.NUT	3			(3/8-16UNC)	0	0
070	75599-33013	WASHER, SPRING LOCK	3			(3/8)	0	0
080	75580-61800	ASSY ADAPTER 1	4				0	0
090	75580-61810	ADAPTER 1	4				0	0
100	75540-61820	O-RING	4				0	0
110	75540-61900	ASSY ELBOW, ADJUSTABL	3				0	0
120	75540-61910	ELBOW, ADJUSTABLE	3				0	0
130	75540-61820	O-RING	3				0	0

CONTROL VALVE (NEW TYPE) [COMPONENT PARTS]



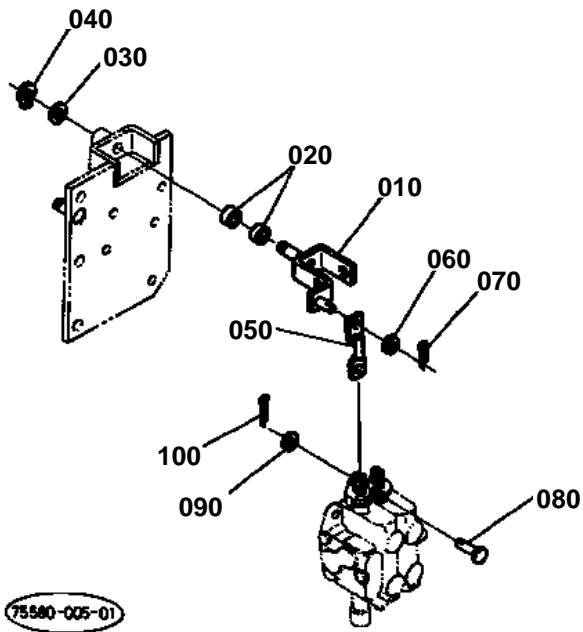


CONTROL VALVE (NEW TYPE) [COMPONENT PARTS]

↔ Interchangeable; ≠ not interchangeable; ← new for old; → old for new

REF.No	Part No.	Description	Q'ty	S.No.	I/C	REMARKS	Weight (kgf)	Weight (lb)
010	75540-61010	VALVE,CONTROL	1	<=11018			0	0
010	75540-61012	VALVE,CONTROL	1	>=11019	↔		0	0
020	75540-61200	ASSY INLET SECTION	1	<=11018			0	0
020	75540-61202	ASSY INLET SECTION	1	>=11019	≠		0	0
030	75540-61210	HOUSING,INLET	1	<=11018			0	0
030	75540-61212	HOUSING,INLET	1	>=11019	≠		0	0
040	75540-61250	O-RING	1				0	0
050	75540-61300	ASSY SPOOL SECTION 1	1				0	0
060	75540-61310	CLEVIS END	1				0	0
070	75540-61320	SPACER-CAP,SPOOL	1				0	0
080	75540-61330	PLATE-SEAL	1				0	0
090	75540-61340	CAP SCREW-SOC.HD.	2				0	0
100	75540-61350	CAP-SPOOL	1				0	0
110	75540-61360	SPACER-CAP,SPOOL	1				0	0
120	75540-61370	SPACER	4				0	0
130	75540-61380	POPPET-C.V.	2				0	0
140	75540-61390	SPRING	2				0	0
150	75540-61410	CAP SCREW-SOC.HD.	2				0	0
160	75540-61420	KIT DETENT	1				0	0
170	75540-61430	KIT CAP,SPOOL SEC.1	1				0	0
180	75540-61400	ASSY SPOOL SECTION 2	1				0	0
190	75540-61440	MACHINE SCREW-RD.HD.	2				0	0
200	75540-61450	CAP-SPOOL	1				0	0
210	75540-61460	CAP SCREW-SOC.HD.	2				0	0
220	75540-61470	KIT CAP,SPOOL SEC.2	1				0	0
230	75540-61500	ASSY OUTLET SECTION	1				0	0
240	75540-61510	HOUSING,OUTLET	1				0	0
250	75540-61250	O-RING	1				0	0
260	75540-61600	ASSY PLUG	1	<=11018			0	0
260	75540-61602	ASSY PLUG	1	>=11019	≠		0	0
270	75540-61700	KIT TIE ROD	1				0	0
280	75540-61710	TIE ROD	1				0	0
290	75540-61720	TIE ROD	2				0	0
300	75540-61730	NUT-SPECIAL	2				0	0
310	75540-61740	NUT-SPECIAL	4				0	0
320	75540-61250	O-RING	1				0	0
330	75540-99700	KIT SEAL,SPOOL SEC.1	1				0	0
340	75540-99800	KIT SEAL,SPOOL SEC.2	1				0	0

LEVER



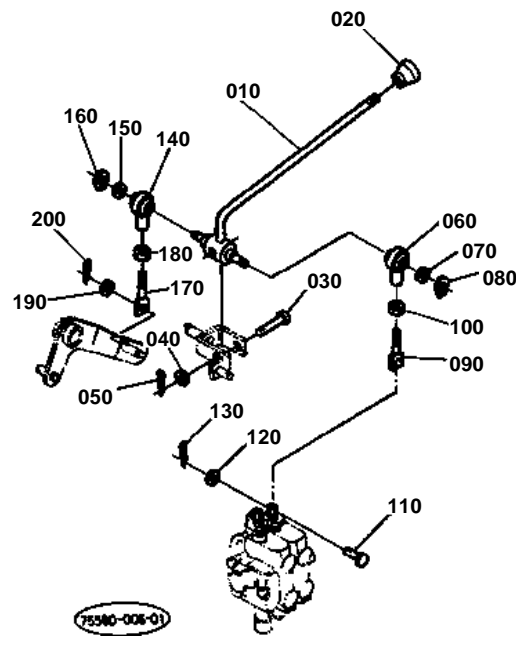


LEVER

↔ Interchangeable; ≠ not interchangeable; ← new for old; → old for new

REF.No	Part No.	Description	Q'ty	S.No.	I/C	REMARKS	Weight (kgf)	Weight (lb)
010	75580-62110	LEVER	1				0	0
020	75580-62140	BUSHING 1	2				0	0
030	75599-32016	WASHER,PLAIN	1			(9/16)	0.009	0.0198
040	75599-41520	CIR-CLIP,EXTERNAL	1			(9/16)	0	0
050	75540-62160	ROD 1	1				0	0
060	75599-32012	WASHER,PLAIN	1			(5/16)	0.002	0.0044
070	75599-53152	PIN,COTTER	1			(3/32*3/4)	0	0
080	75540-62190	PIN	1				0	0
090	75599-32009	WASHER,PLAIN	1			(13/64)	0	0
100	75599-53111	PIN,COTTER	1			(1/32*1/2)	0	0

CONTROL LEVER



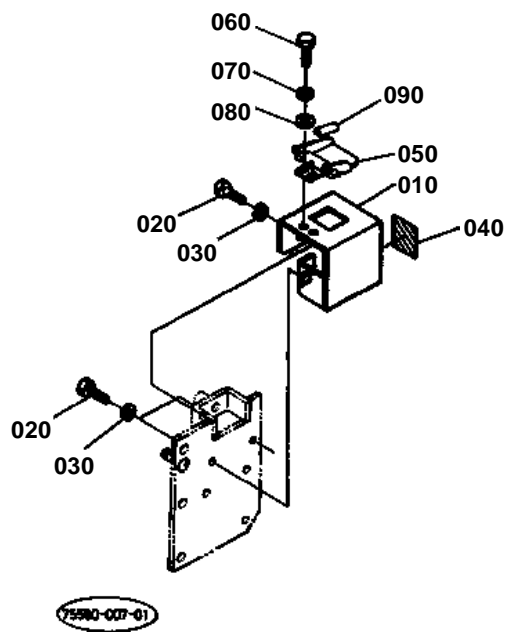


CONTROL LEVER

↔ Interchangeable; ≠ not interchangeable; ← new for old; → old for new

REF.No	Part No.	Description	Q'ty	S.No.	I/C	REMARKS	Weight (kgf)	Weight (lb)
010	75580-62210	LEVER,CONTROL	1	<=11098			0	0
010	75580-62212	LEVER,CONTROL	1	>=11099	≠		0	0
020	75540-62240	GRIP,LEVER	1	<=11098			0	0
020	66711-42310	GRIP,LEVER	1	>=11099	≠		0.033	0.0726
030	75599-51540	PIN,CLEVIS	1			(1/2*2)	0	0
040	75599-32015	WASHER,PLAIN	1			(1/2)	0	0
050	75599-53173	PIN,COTTER	1			(1/8*1)	0.002	0.0044
060	75540-62260	JOINT,ROD END	1				0	0
070	75540-62270	COLLAR	1				0	0
080	75599-41515	CIR-CLIP,EXTERNAL	1			(3/8)	0	0
090	75540-62280	ROD 2	1				0	0
100	75599-31043	HEX.JAM NUT	1			(3/8-24UNF)	0	0
110	75540-62190	PIN	1				0	0
120	75599-32009	WASHER,PLAIN	1			(13/64)	0	0
130	75599-53111	PIN,COTTER	1			(1/32*1/2)	0	0
140	75540-62260	JOINT,ROD END	1				0	0
150	75540-62270	COLLAR	1				0	0
160	75599-41515	CIR-CLIP,EXTERNAL	1			(3/8)	0	0
170	75580-62510	ROD 3	1				0	0
180	75599-31043	HEX.JAM NUT	1			(3/8-24UNF)	0	0
190	75599-32012	WASHER,PLAIN	1			(5/16)	0.002	0.0044
200	75599-53152	PIN,COTTER	1			(3/32*3/4)	0	0

CONTROL COVER



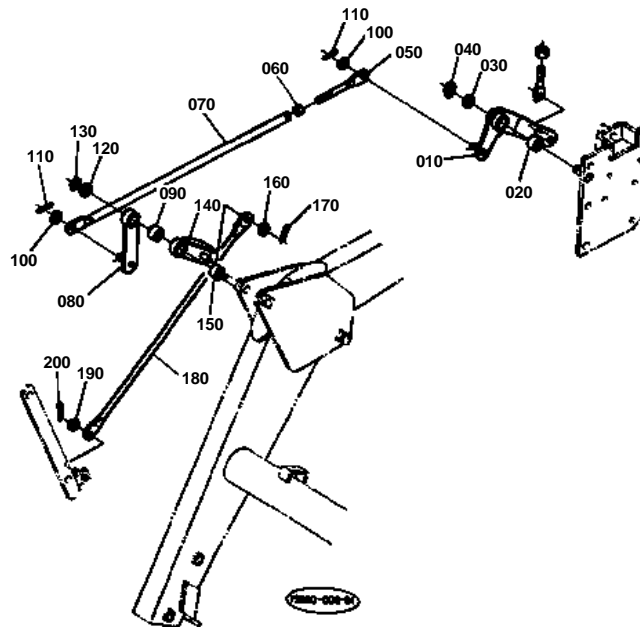


CONTROL COVER

↔ Interchangeable; ≠ not interchangeable; ← new for old; → old for new

REF.No	Part No.	Description	Q'ty	S.No.	I/C	REMARKS	Weight (kgf)	Weight (lb)
010	75580-62310	COVER	1				0	0
020	75599-01215	HEX.BOLT	3			(5/16-18UNC*3/4)	0	0
030	75599-33012	WASHER,SPRING LOCK	3			(5/16)	0	0
040	75540-62360	LABEL,CONTROL	1				0	0
050	75580-62400	ASSY LIMITER	1				0	0
060	75599-01212	HEX.BOLT	2			(5/16-18UNC*5/8)	0	0
070	75599-33012	WASHER,SPRING LOCK	2			(5/16)	0	0
080	75599-32012	WASHER,PLAIN	2			(5/16)	0.002	0.0044
090	75540-62450	CUSHION 1,RUBBER	1				0	0

LINK



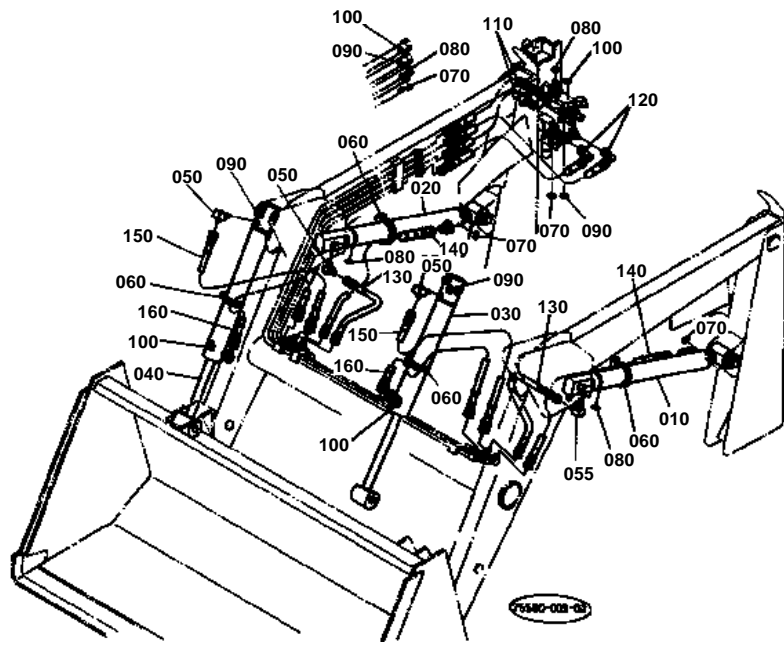


LINK

↔ Interchangeable; ≠ not interchangeable; ← new for old; → old for new

REF.No	Part No.	Description	Q'ty	S.No.	I/C	REMARKS	Weight (kgf)	Weight (lb)
010	75580-62610	LINK 4	1				0	0
020	75580-62620	BUSHING 2	1				0	0
030	75599-32016	WASHER,PLAIN	1			(9/16)	0.009	0.0198
040	75599-41520	CIR-CLIP,EXTERNAL	1			(9/16)	0	0
050	75580-62510	ROD 3	1				0	0
060	75599-31043	HEX.JAM NUT	1			(3/8-24UNF)	0	0
070	75580-62640	ROD 1,CONNECTING	1				0	0
080	75580-62650	LINK 5	1				0	0
090	75580-62140	BUSHING 1	1				0	0
100	75599-32012	WASHER,PLAIN	2			(5/16)	0.002	0.0044
110	75599-53152	PIN,COTTER	2			(3/32*3/4)	0	0
120	75599-32016	WASHER,PLAIN	1			(9/16)	0.009	0.0198
130	75599-41520	CIR-CLIP,EXTERNAL	1			(9/16)	0	0
140	75580-62670	LINK 6	1				0	0
150	75580-62140	BUSHING 1	1				0	0
160	75599-32012	WASHER,PLAIN	1			(5/16)	0.002	0.0044
170	75599-53152	PIN,COTTER	1			(3/32*3/4)	0	0
180	75580-62690	ROD 2,CONNECTING	1				0	0
190	75599-32012	WASHER,PLAIN	1			(5/16)	0.002	0.0044
200	75599-53152	PIN,COTTER	1			(3/32*3/4)	0	0

CYLINDER/HYDRAULIC HOSE



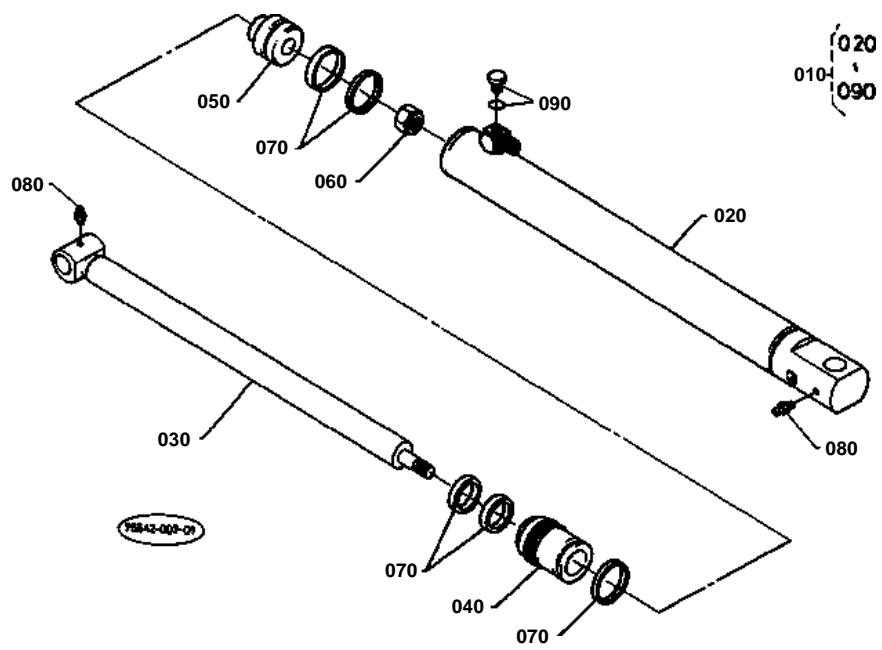


CYLINDER/HYDRAULIC HOSE

↔ Interchangeable; ≠ not interchangeable; ← new for old; → old for new

REF.No	Part No.	Description	Q'ty	S.No.	I/C	REMARKS	Weight (kgf)	Weight (lb)
010	75540-63010	CYLINDER 1 LH	1			REFER TO L.No. 0G06-R0 FOR COMPONENT	0	0
020	75540-63030	CYLINDER 1 RH	1			REFER TO L.No. 0G07-L0 FOR COMPONENT	0	0
030	75580-64010	CYLINDER 2 LH	1			REFER TO L.No. 0G07-R0 FOR COMPONENT	0	0
040	75580-64030	CYLINDER 2 RH	1			REFER TO L.No. 0G08-L0 FOR COMPONENT	0	0
050	75540-64910	ELBOW 1	3				0	0
055	75580-63910	ELBOW, LONG	1				0	0
060	75540-64940	CLAMP, HOSE	4				0	0
070	75540-64950	MARK, WHITE	4				0	0
080	75540-64960	MARK, YELLOW	4				0	0
090	75540-64970	MARK, BLUE	4				0	0
100	75540-64980	MARK, RED	4				0	0
110	75580-66110	HOSE 1, HYDRAULIC	2				0	0
120	75580-66120	HOSE 2, HYDRAULIC	2				0	0
130	75580-66610	HOSE 8, HYDRAULIC	2				0	0
140	75580-66620	HOSE 9, HYDRAULIC	2				0	0
150	75580-66630	HOSE 10, HYDRAULIC	2				0	0
160	75580-66640	HOSE 11, HYDRAULIC	2				0	0

CYLINDER (BOOM) LH [COMPONENT PARTS]



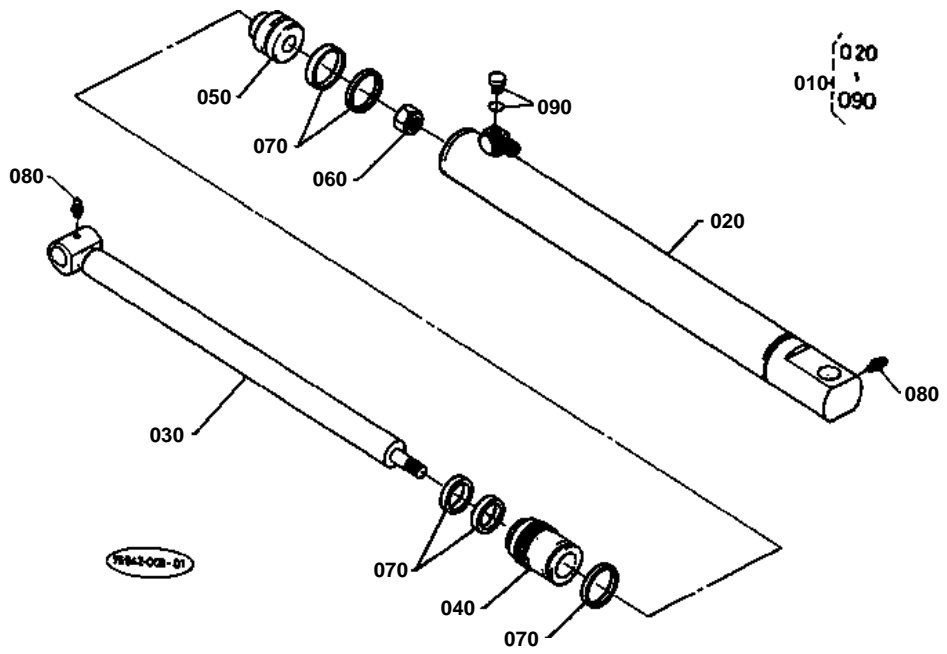


CYLINDER (BOOM) LH [COMPONENT PARTS]

↔ Interchangeable; ≠ not interchangeable; ← new for old; → old for new

REF.No	Part No.	Description	Q'ty	S.No.	I/C	REMARKS	Weight (kgf)	Weight (lb)
010	75540-63010	CYLINDER 1 LH	1				0	0
020	75540-63100	TUBE 1 COMP LH	1				0	0
030	75540-63200	ROD 1 COMP	1				0	0
040	75540-63310	HEAD 1	1				0	0
050	75540-63350	PISTON	1				0	0
060	75540-63360	NUT	1				0	0
070	75540-63400	KIT 1,SEAL	1				0	0
080	75540-63480	FITTING,GREASE	2				0	0
080	75599-81531	FITTING,GREASE	2		↔	(1/8-27PTF)	0	0
090	75540-63490	PLUG	1				0	0

CYLINDER (BOOM) RH [COMPONENT PARTS]



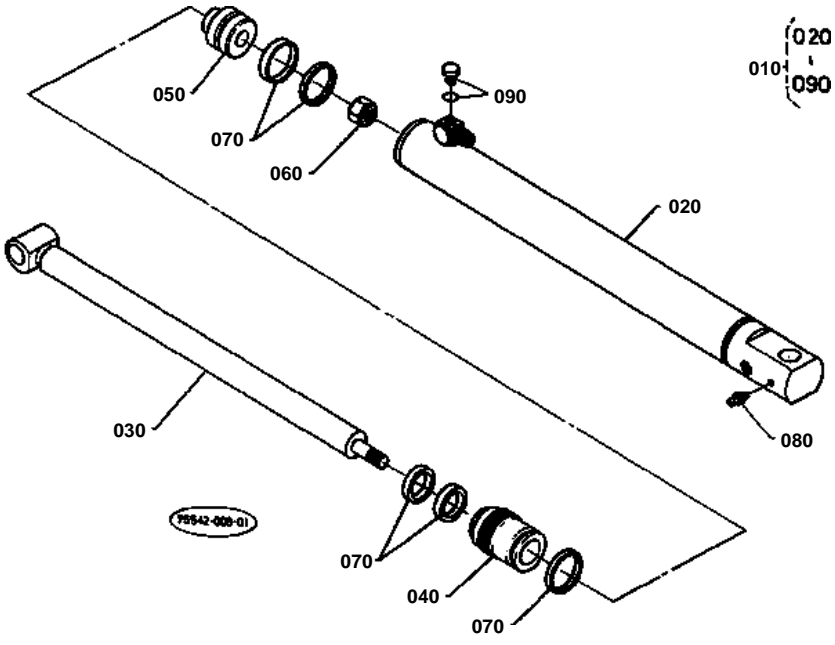


CYLINDER (BOOM) RH [COMPONENT PARTS]

↔ Interchangeable; ≠ not interchangeable; ← new for old; → old for new

REF.No	Part No.	Description	Q'ty	S.No.	I/C	REMARKS	Weight (kgf)	Weight (lb)
010	75540-63030	CYLINDER 1 RH	1				0	0
020	75540-63500	TUBE 1 COMP RH	1				0	0
030	75540-63200	ROD 1 COMP	1				0	0
040	75540-63310	HEAD 1	1				0	0
050	75540-63350	PISTON	1				0	0
060	75540-63360	NUT	1				0	0
070	75540-63400	KIT 1,SEAL	1				0	0
080	75540-63480	FITTING,GREASE	2				0	0
080	75599-81531	FITTING,GREASE	2		↔	(1/8-27PTF)	0	0
090	75540-63490	PLUG	1				0	0

CYLINDER (BUCKET) LH [COMPONENT PARTS]



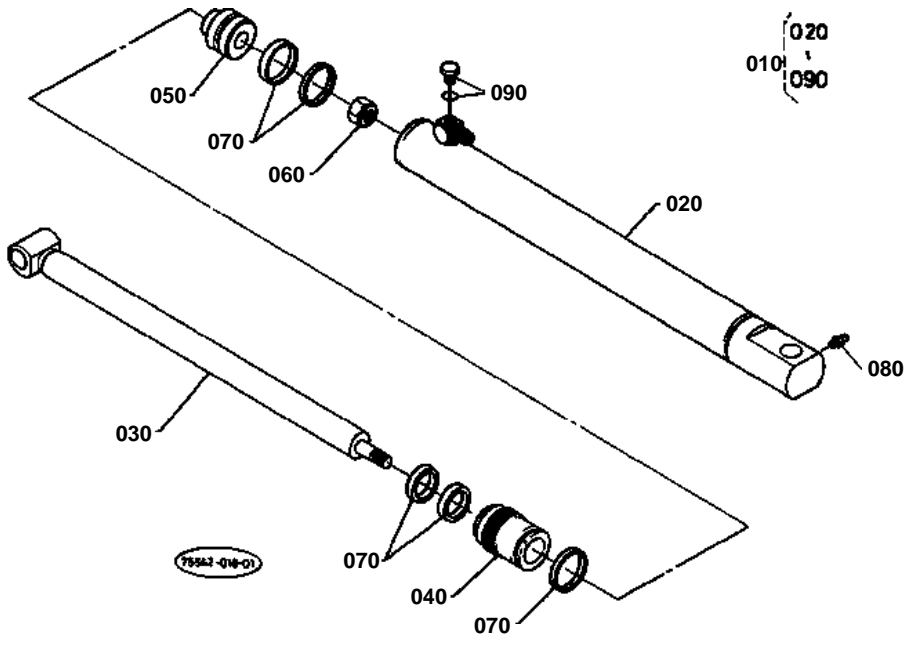


CYLINDER (BUCKET) LH [COMPONENT PARTS]

↔ Interchangeable; ≠ not interchangeable; ← new for old; → old for new

REF.No	Part No.	Description	Q'ty	S.No.	I/C	REMARKS	Weight (kgf)	Weight (lb)
010	75580-64010	CYLINDER 2 LH	1				0	0
020	75580-64100	TUBE 2 COMP LH	1				0	0
030	75580-64200	ROD 2 COMP	1				0	0
040	75550-63310	HEAD 1	1				0	0
050	75550-63350	PISTON	1				0	0
060	75550-63360	NUT	1				0	0
070	75550-63400	KIT 1,SEAL	1				0	0
080	75540-63480	FITTING,GREASE	1				0	0
080	75599-81531	FITTING,GREASE	1		↔	(1/8-27PTF)	0	0
090	75540-63490	PLUG	1				0	0

CYLINDER (BUCKET) RH [COMPONENT PARTS]



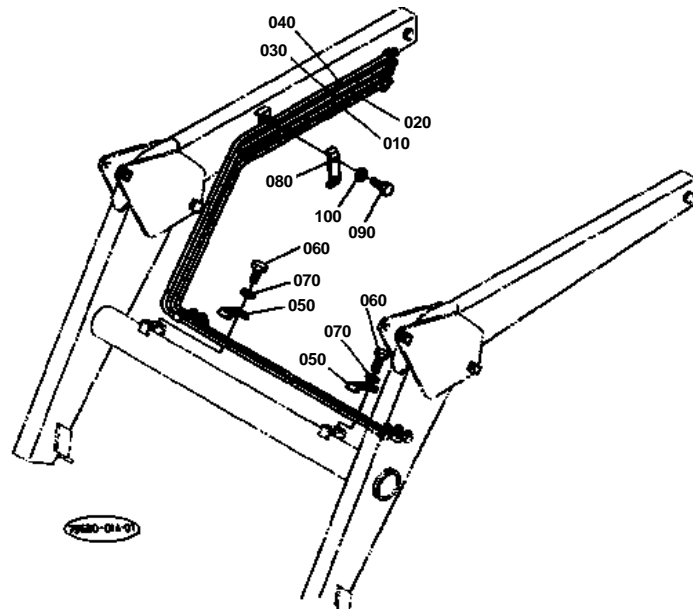


CYLINDER (BUCKET) RH [COMPONENT PARTS]

↔ Interchangeable; ≠ not interchangeable; ← new for old; → old for new

REF.No	Part No.	Description	Q'ty	S.No.	I/C	REMARKS	Weight (kgf)	Weight (lb)
010	75580-64030	CYLINDER 2 RH	1				0	0
020	75580-64500	TUBE 2 COMP RH	1				0	0
030	75580-64200	ROD 2 COMP	1				0	0
040	75550-63310	HEAD 1	1				0	0
050	75550-63350	PISTON	1				0	0
060	75550-63360	NUT	1				0	0
070	75550-63400	KIT 1,SEAL	1				0	0
080	75540-63480	FITTING,GREASE	1				0	0
080	75599-81531	FITTING,GREASE	1		↔	(1/8-27PTF)	0	0
090	75540-63490	PLUG	1				0	0

HYDRAULIC TUBE



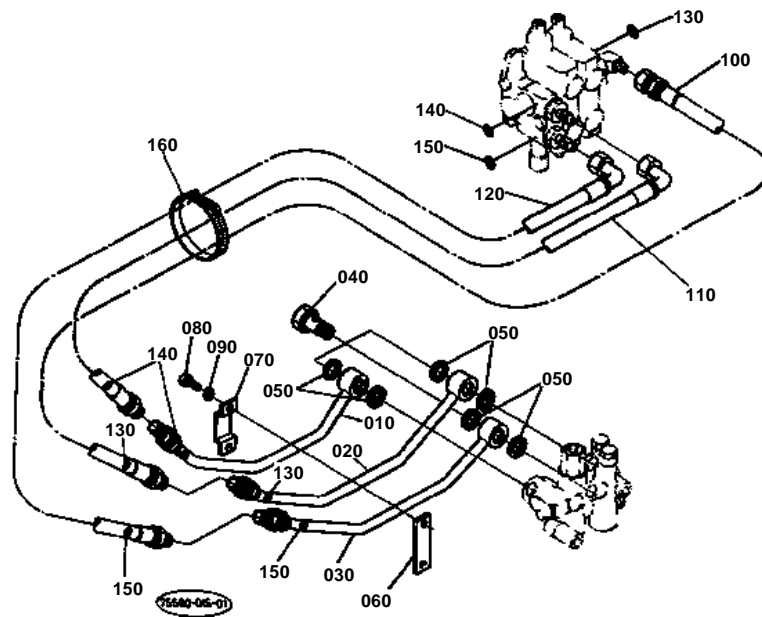


HYDRAULIC TUBE

↔ Interchangeable; ≠ not interchangeable; ← new for old; → old for new

REF.No	Part No.	Description	Q'ty	S.No.	I/C	REMARKS	Weight (kgf)	Weight (lb)
010	75540-65110	TUBE 1,HYDRAULIC	1				0	0
020	75540-65210	TUBE 2,HYDRAULIC	1				0	0
030	75540-65310	TUBE 3,HYDRAULIC	1				0	0
040	75580-65410	TUBE 4,HYDRAULIC	1				0	0
050	75540-65510	CLAMP 1	2				0	0
060	75599-01220	HEX.BOLT	4			(5/16-18UNC*1)	0	0
070	75599-33012	WASHER,SPRING LOCK	4			(5/16)	0	0
080	75540-65530	CLAMP 2	1				0	0
090	75599-01215	HEX.BOLT	2			(5/16-18UNC*3/4)	0	0
100	75599-33012	WASHER,SPRING LOCK	2			(5/16)	0	0

DELIVERY/RETURN TUBE





DELIVERY/RETURN TUBE

↔ Interchangeable; ≠ not interchangeable; ← new for old; → old for new

REF.No	Part No.	Description	Q'ty	S.No.	I/C	REMARKS	Weight (kgf)	Weight (lb)
010	75580-68300	TUBE 1,DELIVERY	1				0	0
020	75580-68400	TUBE 2,DELIVERY	1				0	0
030	75580-68500	TUBE,RETURN	1				0	0
040	75580-68330	JOINT	3				0	0
050	75580-68340	GASKET	6				0	0
060	75580-68630	CLAMP 4	1				0	0
070	75580-68650	CLAMP 5	1				0	0
080	75599-01112	HEX.BOLT	2			(1/4-20 UNC*5/8)	0	0
090	75599-33011	WASHER,SPRING LOCK	2			(1/4)	0	0
100	75580-66310	HOSE 5, HYDRAULIC	1				0	0
110	75580-66410	HOSE 6, HYDRAULIC	1				0	0
120	75580-66510	HOSE 7, HYDRAULIC	1				0	0
130	75580-68970	MARK,GREEN	3				0	0
140	75580-68950	MARK,ORANGE	3				0	0
150	75580-68960	MARK,GRAY	3				0	0
160	75540-66910	BAND,HOSE	2				0	0

IMAGE NOT AVAILABLE



ACCESSORIES AND SERVICE PARTS

↔ Interchangeable; ≠ not interchangeable; ← new for old; → old for new

REF.No	Part No.	Description	Q'ty	S.No.	I/C	REMARKS	Weight (kgf)	Weight (lb)
010	75580-69110	OPERATOR'S MANUAL	1				0	0
020	75580-95100	KIT FRENCH	1			REF.No.030 TO 080	0	0
030	75540-99610	LABEL,CAUTION	1			FRENCH	0	0
040	75540-99620	LABEL,WARNING	1			FRENCH	0	0
050	75540-99630	LABEL,LEVELER	1			FRENCH	0	0
060	75540-99640	LABEL,CONTROL	1			FRENCH	0	0
070	75580-99650	LABEL,LUBRICATE	1			FRENCH	0	0
080	75580-95910	OPERATOR'S MANUAL	1			FRENCH	0	0