

Instructions for Parts Books

The heading at the top of the page will be the same for the picture of the parts as it is for the page with the part numbers.

Definition of column headings on part number pages:

REF.No → The number referring to the part on the picture page of the parts book.

Part No. → The number assigned to this part at the time of printing the parts book.

Description → Description of part.

Q'ty → Quantity of part used on that page.

S.No. → Serial number range of the equipment that this part will fit.

>= Your serial number should be greater than or equal to the number shown.

<= Your serial number should be lesser than or equal to the serial number shown.

I/C → Interchangeability of part shown.

↔ The part shown will work for the older and later serial number.

The part shown is not interchangeable with the other serial number.

← new for old

→ old for new

Remarks → Notes about this particular part. Sometimes this may say except [FR] or [CA]

Note about Country Codes:

The parts books we use in the United States of America may also contain information about a part that would be different in another country. It is important that you are aware of the country codes in some instances.

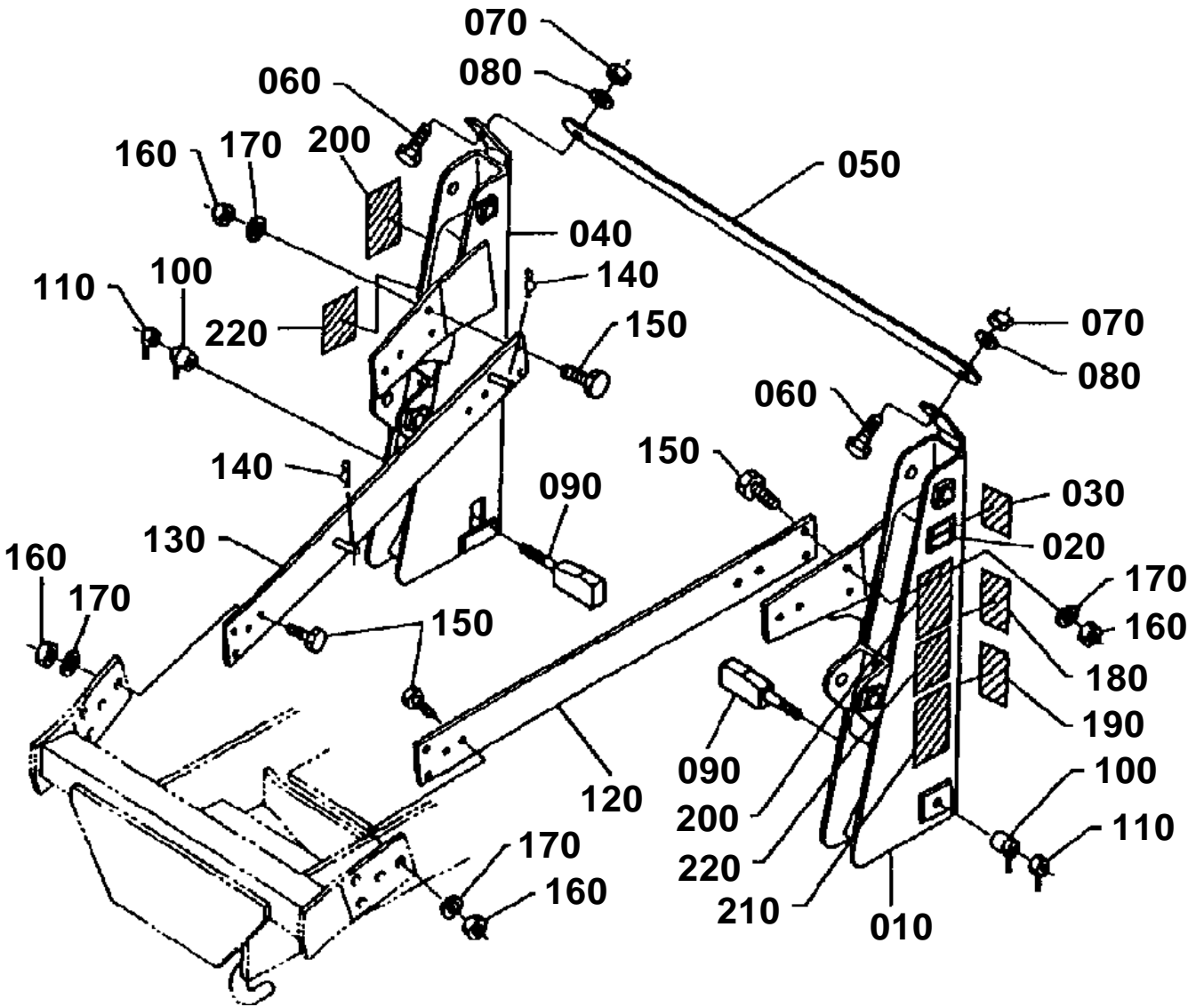
Symbol	Country
A	United States of America
CA	Canada
FR	France
GR	Greece
PO	Portugal
AU	Australia

If the remarks column says for example EXCEPT [FR] this part works in all countries except France. That means it will work here in the USA.

TL420A loader

Part No.		Book
01L001	SIDE FRAME	100K0725
01L002	BOOM	100K0725
01L003	CONTROL VALVE	100K0725
01L004	CONTROL VALVE [COMPONENT PARTS]	100K0725
01L005	LEVER	100K0725
01L006	CONTROL LEVER	100K0725
01L007	CONTROL COVER	100K0725
01L008	LINK	100K0725
01L009	CYLINDER AND HYDRAULIC HOSE	100K0725
01L010	CYLINDER (BOOM) [COMPONENT PARTS]	100K0725
01L011	CYLINDER (BUCKET) [COMPONENT PARTS]	100K0725
01L012	HYDRAULIC TUBE	100K0725
01L013	DELIVERY AND RETURN HOSE	100K0725
01L014	ACCESSORIES AND SERVICE PARTS	100K0725

SIDE FRAME

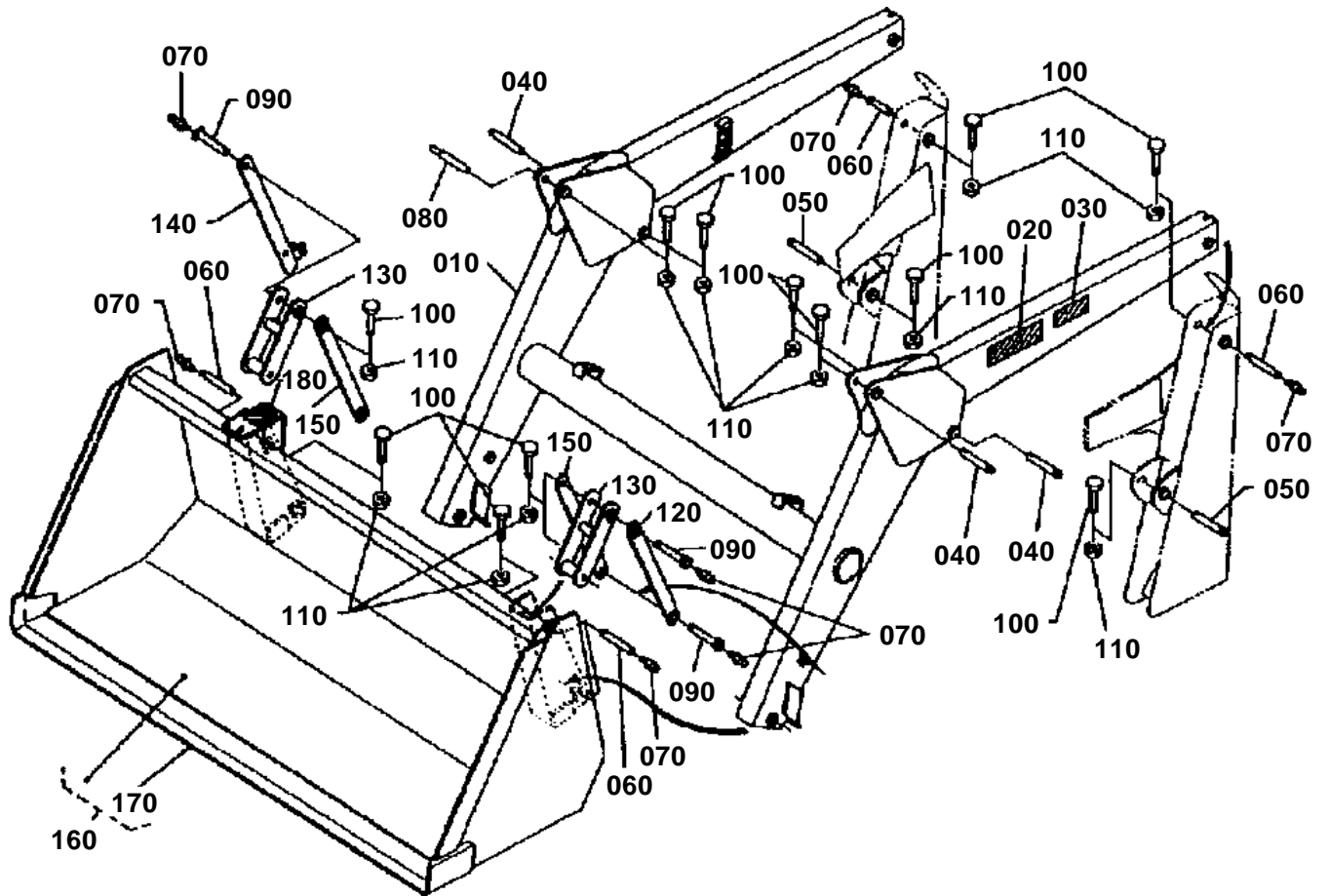


**SIDE FRAME**

↔ Interchangeable; ≠ not interchangeable; ← new for old; → old for new

REF.No	Part No.	Description	Q'ty	S.No.	I/C	REMARKS	Weight (kgf)	Weight (lb)
010	75581-56010	FRAME SIDE LH	1				16	35.2
020	75581-56350	LABEL MODEL	1				0	0
030	75580-56370	LABEL LUBRICATE	1				0.001	0.0022
040	75581-56030	FRAME SIDE RH	1				16.5	36.3
050	75580-56710	CONNECTOR SIDE FRAME	1				4.5	9.9
060	75599-04635	HEX.BOLT(9/16-18UNF*	2				0.073	0.1606
070	75599-31066	HEX.NUT(9/16-18UNF)	2				0.03	0.066
080	75599-33016	WASHER SPRING LOCK(9	2				0.08	0.176
090	75580-56810	BOLT WADGE	2				1	2.2
100	75540-56820	NUT 1 LOCK	2				0.11	0.242
110	75540-56830	NUT 2 LOCK	2				0.07	0.154
120	75580-57410	BRACE LH	1				7	15.4
130	75580-57420	BRACE RH	1				7.22	15.884
140	75540-56720	PIN SPRING	2				0.028	0.0616
150	75590-04630	HEX.BOLT(9/16-18UNF*	16				0	0
160	75599-31066	HEX.NUT(9/16-18UNF)	16				0.03	0.066
170	75599-33016	WASHER SPRING LOCK(9	16				0.08	0.176
180	75546-56410	LABEL DANGER 1	1				0	0
190	75546-56430	LABEL DANGER 3	1				0	0
200	75546-56440	LABEL WARNING 1	2				0	0
210	75546-56450	LABEL CAUTION 1	1				0.001	0.0022
220	75546-56470	LABEL CAUTION 3	2				0	0

BOOM

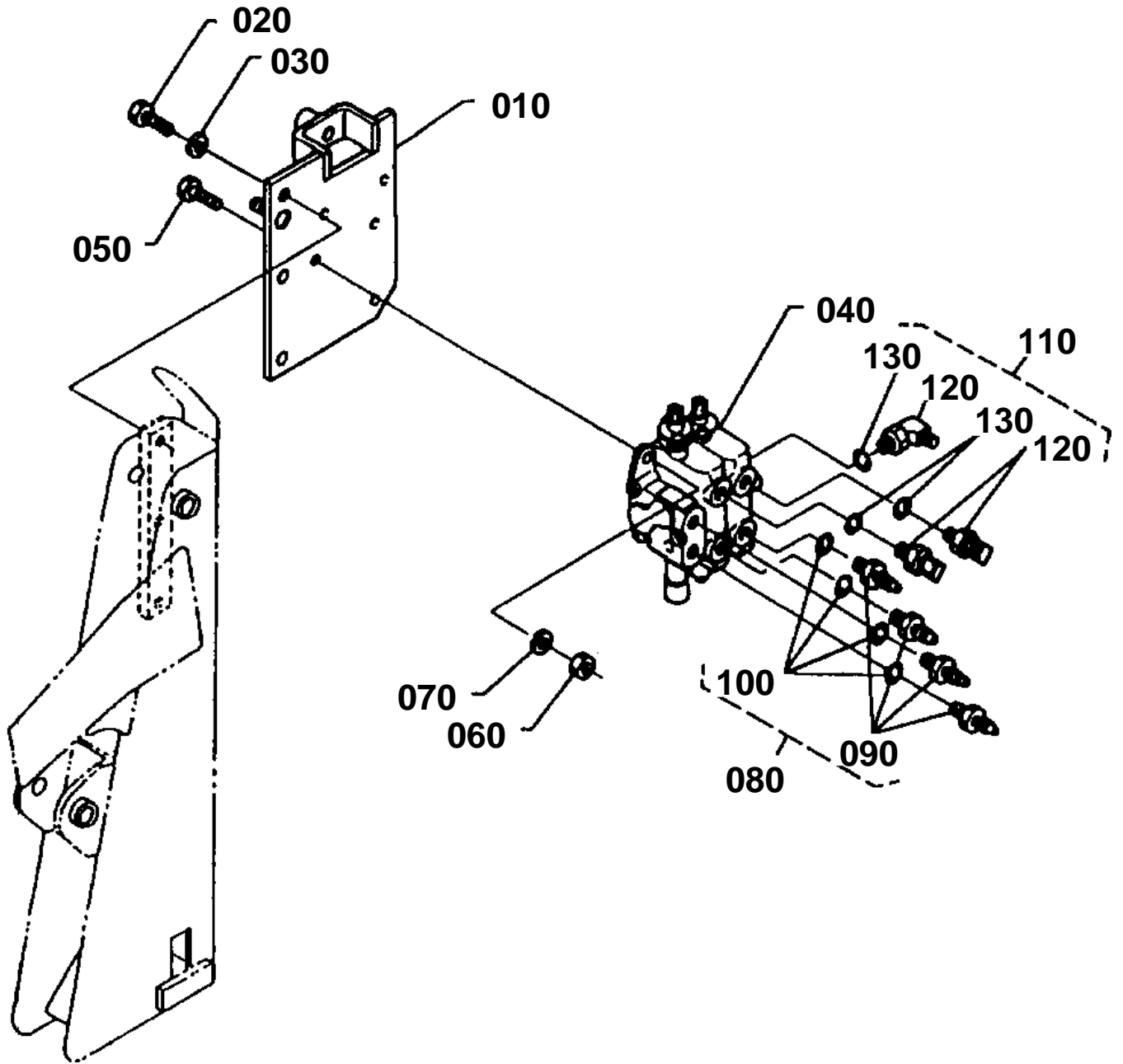


**BOOM**

↔ Interchangeable; ≠ not interchangeable; ← new for old; → old for new

REF.No	Part No.	Description	Q'ty	S.No.	I/C	REMARKS	Weight (kgf)	Weight (lb)
010	75581-58010	BOOM	1				0	0
020	75580-58450	LABEL KUBOTA	2				0.01	0.022
030	75581-58460	LABEL TL420A	2				0.001	0.0022
040	75545-58510	PIN 1	3				0.365	0.803
050	75545-58610	PIN 2	2				0.425	0.935
060	75545-58710	PIN 3	6				0.4	0.88
070	75599-81521	FITTING GREASE(1/4-2	10				0.003	0.0066
080	75581-58770	PIN 6	1				0.44	0.968
090	75581-58780	PIN 7	4				0.502	1.1044
100	75599-03145	HEX.BOLT(1/4-20UNC*2	16				0.018	0.0396
110	75599-31911	NUT LOCKING(1/4-20UN	16				0.004	0.0088
120	75581-58800	COMP LINK 1	1				0.91	2.002
130	75580-58822	LINK 2	2				0	0
140	75581-58850	COMP LINK 3	1				1	2.2
150	75581-58900	COMP LINK 4	2				0.98	2.156
160	75581-59010	BUCKET 56	1				0	0
170	75580-59320	EDGE CUTTING	1				7.5	16.5
180	75540-59450	LABEL LEVELER	1				0.001	0.0022

CONTROL VALVE



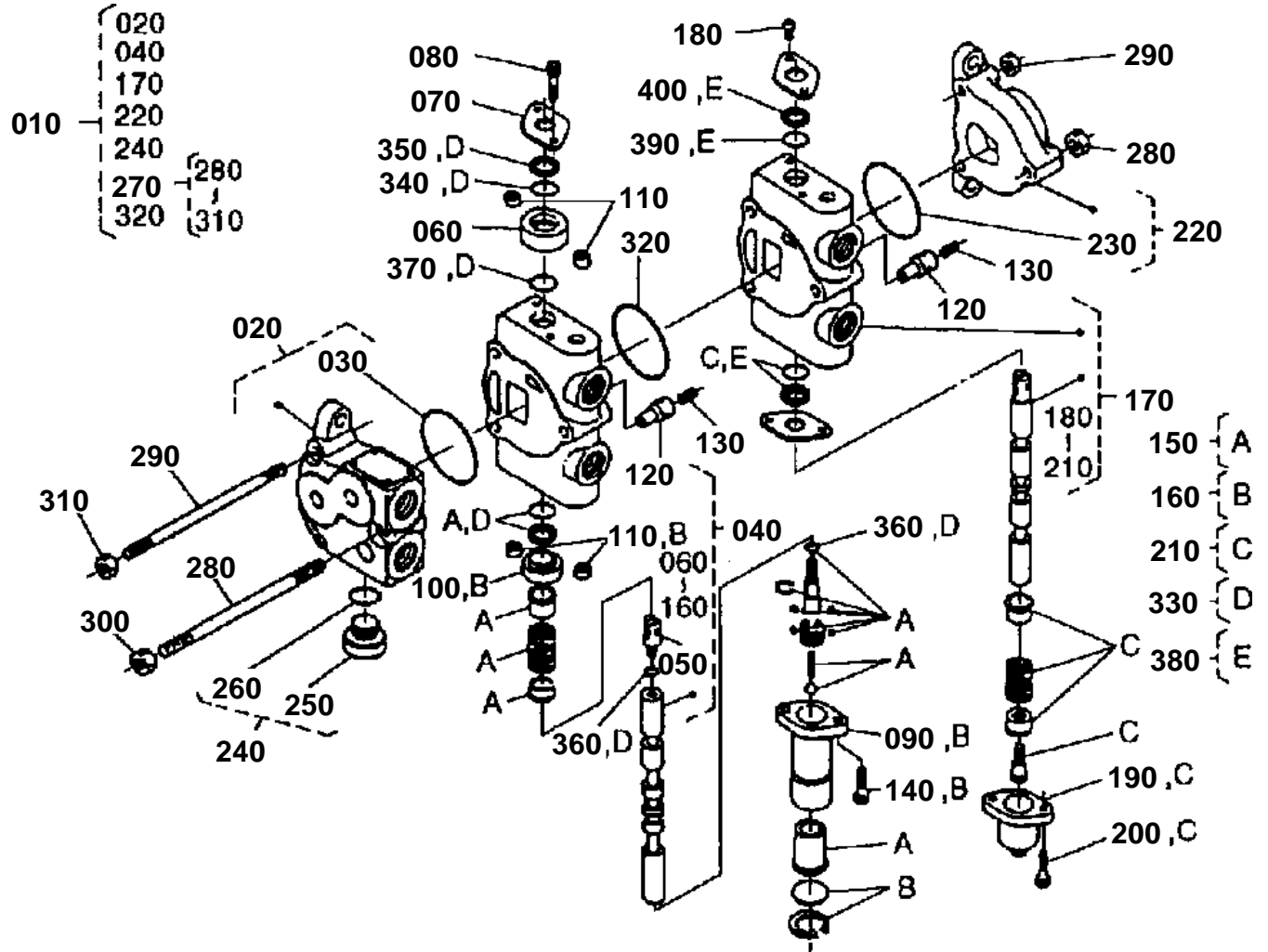


CONTROL VALVE

↔ Interchangeable; ≠ not interchangeable; ← new for old; → old for new

REF.No	Part No.	Description	Q'ty	S.No.	I/C	REMARKS	Weight (kgf)	Weight (lb)
010	75580-61110	STAY VALVE	1				2.45	5.39
020	75599-03515	HEX.BOLT(1/2-13UNC*3	3				0.033	0.0726
030	75599-33015	WASHER SPRING LOCK(1	3				0.006	0.0132
040	75540-61012	VALVE CONTROL	1				0	0
050	75599-03325	HEX.BOLT(3/8-16UNC*1	3				0.021	0.0462
060	75599-31013	HEX.NUT(3/8-16UNC)	3				0.006	0.0132
070	75599-33013	WASHER SPRING LOCK(3	3				0.006	0.0132
080	75580-61800	ASSY ADAPTER 1	4				0.06	0.132
090	75580-61810	ADAPTER 1	4				0	0
100	75540-61820	O-RING	4				0.001	0.0022
110	75540-61900	ASSY ELBOW ADJUSTABL	3				0.11	0.242
120	75540-61910	ELBOW ADJUSTABLE	3				0.05	0.11
130	75540-61820	O-RING	3				0.001	0.0022

CONTROL VALVE [COMPONENT PARTS]

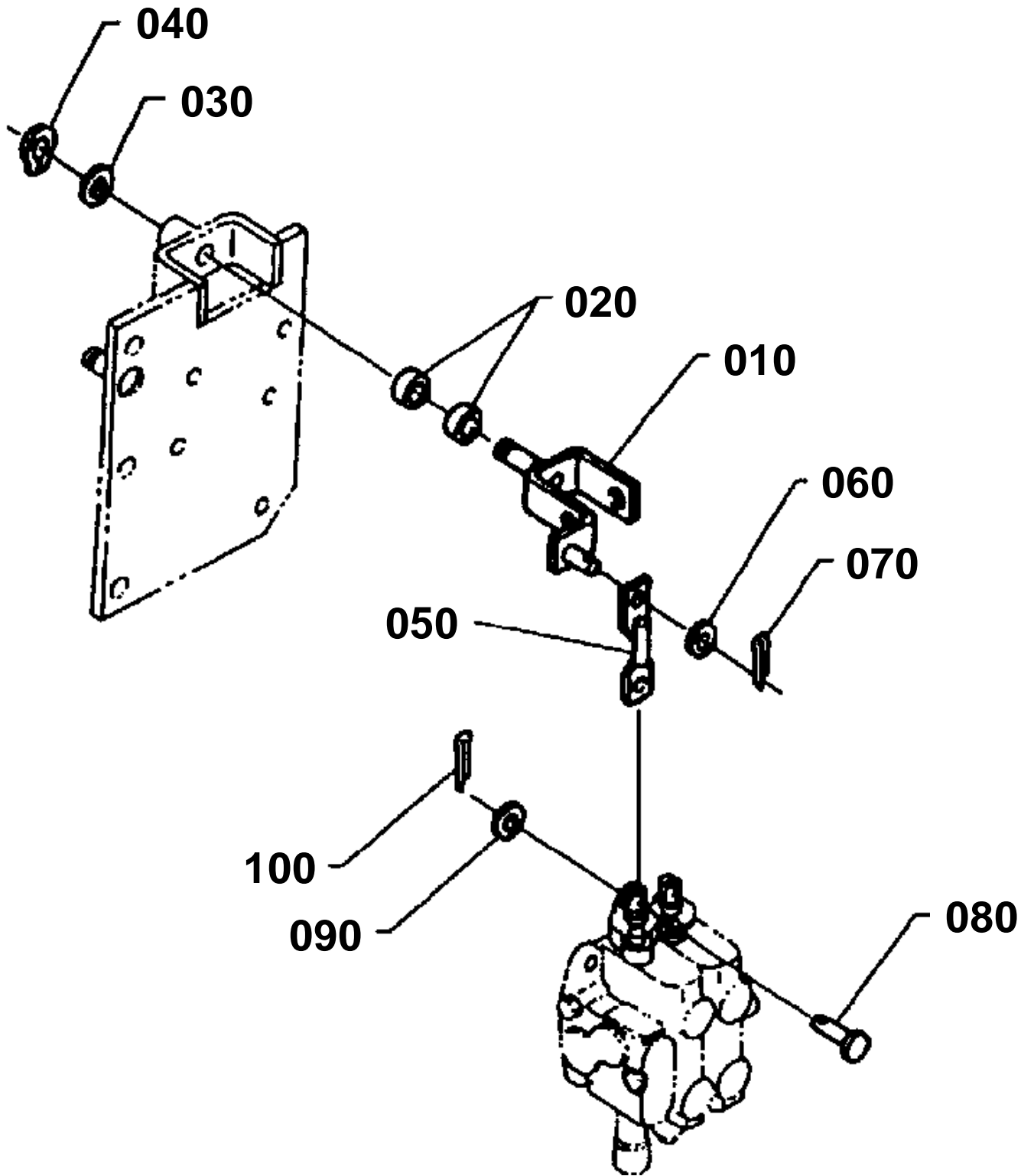


**CONTROL VALVE [COMPONENT PARTS]**

↔ Interchangeable; ≠ not interchangeable; ← new for old; → old for new

REF.No	Part No.	Description	Q'ty	S.No.	I/C	REMARKS	Weight (kgf)	Weight (lb)
010	75540-61012	VALVE CONTROL	1				0	0
020	75540-61202	ASSY INLET SECTION	1				0	0
030	75540-61250	O-RING	1				0.01	0.022
040	75540-61300	ASSY SPOOL SECTION 1	1				2.6	5.72
050	75540-61310	CLEVIS END	1				0.014	0.0308
060	75540-61320	SPACER-CAP SPOOL	1				0.05	0.11
070	75540-61330	PLATE-SEAL	1				0.012	0.0264
080	75540-61340	CAP SCREW-SOC.HD.	2				0.001	0.0022
090	75540-61350	CAP SPOOL	1				0.07	0.154
100	75540-61360	SPACER-CAP SPOOL	1				0.05	0.11
110	75540-61370	SPACER	4				0.014	0.0308
120	75540-61380	POPPET-C.V.	1				0.002	0.0044
130	75540-61390	SPRING	1				0.001	0.0022
140	75540-61410	CAPSCREW-SOC.HD.	2				0.01	0.022
150	75540-61420	KIT DETENT	1				0.1	0.22
160	75540-61430	KIT CAP SPOOL SEC.1	1				0.2	0.44
170	75540-61400	ASSY SPOOL SECTION 2	1				2.6	5.72
180	75540-61440	MACHINE SCREW-RD.HD.	2				0.051	0.1122
190	75540-61450	CAP-SPOOL	1				0.032	0.0704
200	75540-61460	CAP SCREW-SOC.HD.	2				0.001	0.0022
210	75540-61470	KIT CAP.SPOOL SEC.2	1				0.08	0.176
220	75540-61500	ASSY OUTLET SECTION	1				1.11	2.442
230	75540-61250	O-RING	1				0.01	0.022
240	75540-61602	ASSY PLUG	1				0	0
250	75540-61610	PLUG-SAE	1				0	0
260	75540-61620	O-RING	1				0.001	0.0022
270	75540-61700	KIT TIE ROD	1				0.16	0.352
280	75540-61710	TIE ROD	1				0.08	0.176
290	75540-61720	TIE ROD	2				0.05	0.11
300	75540-61730	NUT-SPECIAL	2				0.02	0.044
310	75540-61740	NUT-SPECIAL	4				0.001	0.0022
320	75540-61250	O-RING	1				0.01	0.022
330	75540-99700	KIT SEAL SPOOL SECTI	1				0.001	0.0022
340	75540-99710	O-RING	2				0.002	0.0044
350	75540-99720	WIPER	1				0.002	0.0044
360	75540-99730	O-RING	2				0.001	0.0022
370	75540-99740	O-RING	2				0.001	0.0022
380	75540-99800	KIT SEAL SPOOL SECTI	1				0.001	0.0022
390	75540-99710	O-RING	2				0.002	0.0044
400	75540-99720	WIPER	2				0.002	0.0044

LEVER

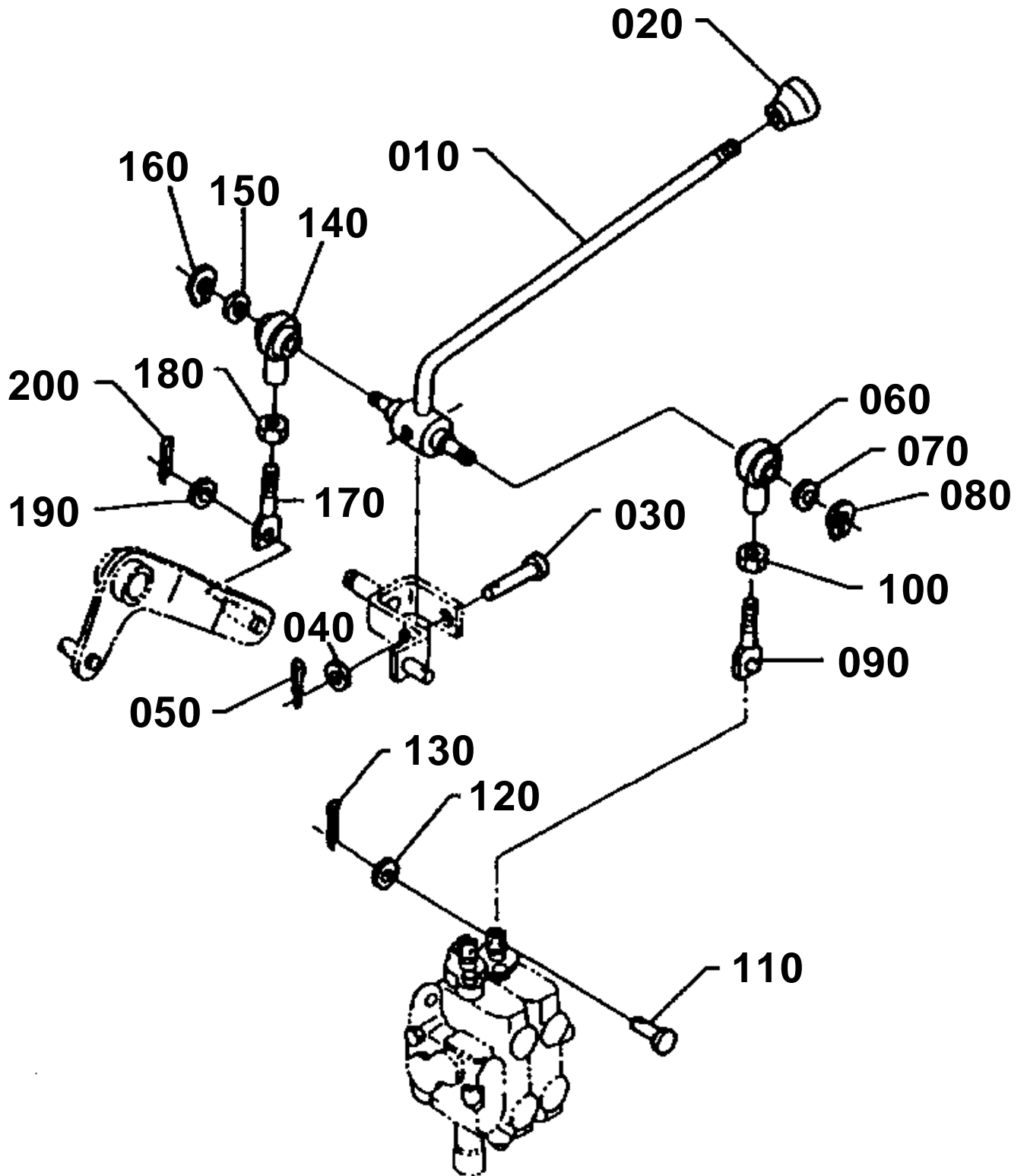


**LEVER**

↔ Interchangeable; ≠ not interchangeable; ← new for old; → old for new

REF.No	Part No.	Description	Q'ty	S.No.	I/C	REMARKS	Weight (kgf)	Weight (lb)
010	75580-62110	LEVER	1				0.21	0.462
020	75580-62140	BUSHING 1	2				0.002	0.0044
030	75580-62150	COLLAR 9/16	1				0.01	0.022
040	75599-41520	CIR-CLIP EXTERNAL(9/	1				0.001	0.0022
050	75540-62160	ROD 1	1				0.05	0.11
060	75599-32012	WASHER PLAIN(5/16)	1				0.002	0.0044
070	75599-53152	PIN COTTRE(3/32*3/4)	1				0.001	0.0022
080	75540-62190	PIN	1				0.018	0.0396
090	75599-32009	WASHER PLAIN(13/64)	1				0.001	0.0022
100	75599-53111	PIN COTTRE(1/32*1/2)	1				0.001	0.0022

CONTROL LEVER



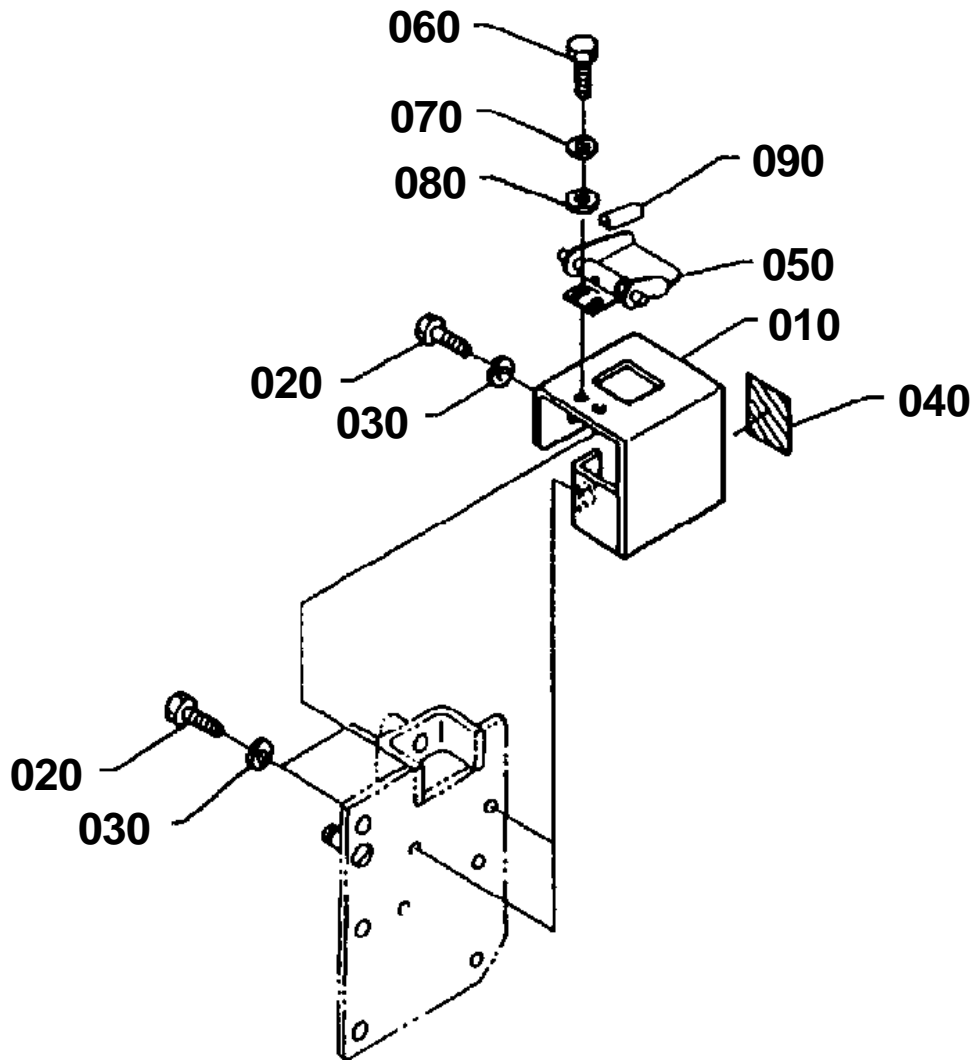


CONTROL LEVER

↔ Interchangeable; ≠ not interchangeable; ← new for old; → old for new

REF.No	Part No.	Description	Q'ty	S.No.	I/C	REMARKS	Weight (kgf)	Weight (lb)
010	75580-62212	LEVER CONTROL	1				0	0
020	66711-42310	GRIP LEVER	1				0.033	0.0726
030	75599-51540	PIN CLEVIS	1				0.054	0.1188
040	75599-32015	WASHER PLAIN(1/2)	1				0.01	0.022
050	75599-53173	PIN COTTER(1/8*1)	1				0.002	0.0044
060	75540-62260	JOINT ROD END	1				0.07	0.154
070	75540-62270	COLLAR	1				0.002	0.0044
080	75599-41515	CIR-CLIP EXTERNAL(3/	1				0.001	0.0022
090	75540-62280	ROD 2	1				0.026	0.0572
100	75599-31043	HEX.JAM NUT(3/8-24UN	1				0.005	0.011
110	75540-62190	PIN	1				0.018	0.0396
120	75599-32009	WASHER PLAIN(13/64)	1				0.001	0.0022
130	75599-53111	PIN COTTER(1/32*1/2)	1				0.001	0.0022
140	75540-62260	JOINT ROD END	1				0.07	0.154
150	75540-62270	COLLAR	1				0.002	0.0044
160	75599-41515	CIR-CLIP EXTERNAL(3/	1				0.001	0.0022
170	75580-62510	ROD 3	1				0.04	0.088
180	75599-31043	HEX.JAM NUT(3/8-24UN	1				0.005	0.011
190	75599-32012	WASHER PLAIN(5/16)	1				0.002	0.0044
200	75599-53152	PIN COTTER(3/32*3/4)	1				0.001	0.0022

CONTROL COVER



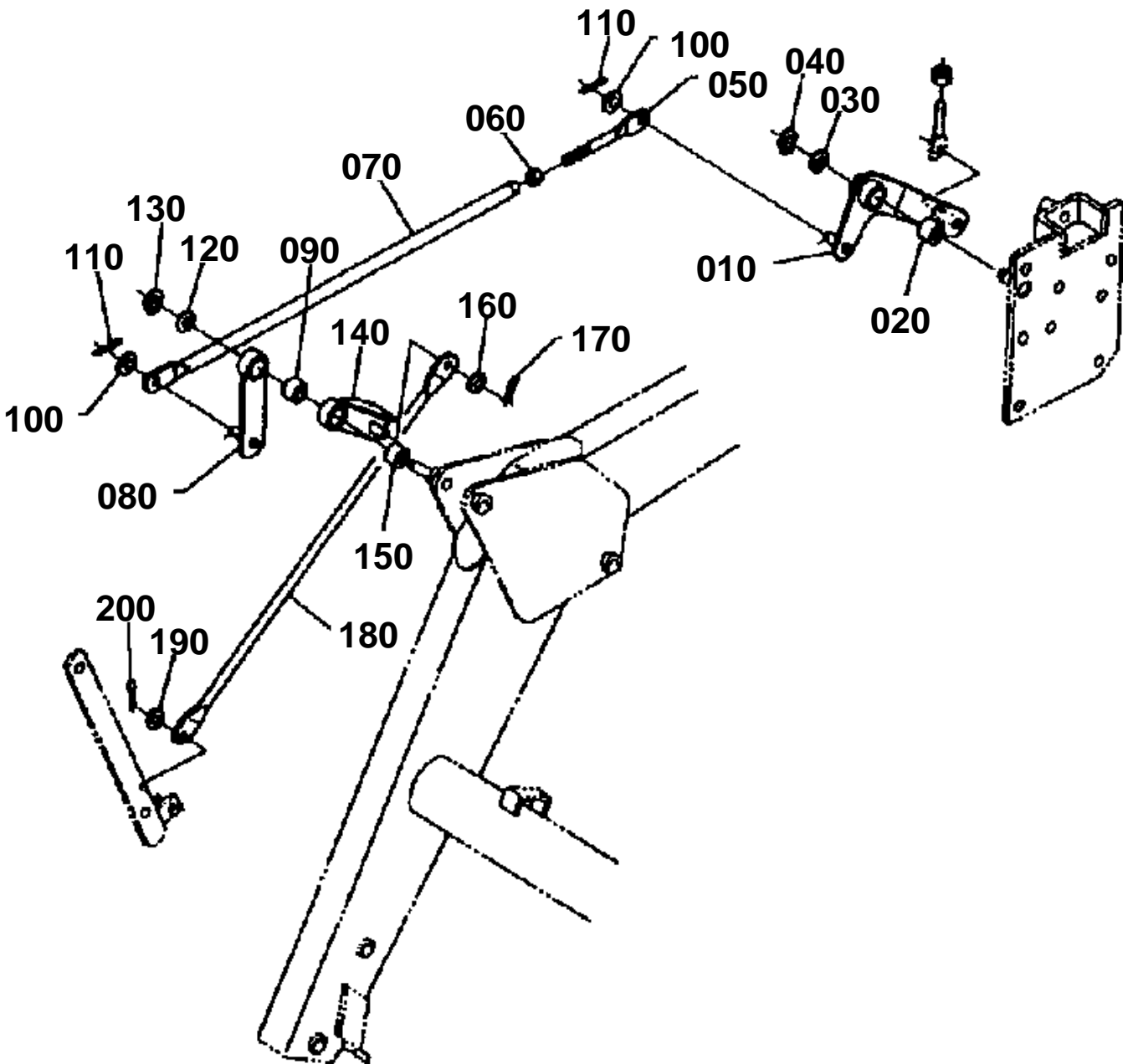


CONTROL COVER

↔ Interchangeable; ≠ not interchangeable; ← new for old; → old for new

REF.No	Part No.	Description	Q'ty	S.No.	I/C	REMARKS	Weight (kgf)	Weight (lb)
010	75580-62310	COVER	1				0.85	1.87
020	75599-01215	HEX.BOLT(5/16-18UNC*	3				0.011	0.0242
030	75599-33012	WASHER SPRINT LOCK(5	3				0.002	0.0044
040	75540-62360	LABEL CONTROL	1				0.001	0.0022
050	75580-62400	ASSY LIMITER	1				0.09	0.198
060	75599-01212	HEX.BOLT(5/16-18UNC*	2				0.012	0.0264
070	75599-33012	WASHER SPRING LOCK(5	2				0.002	0.0044
080	75599-32012	WASHER PLAIN(5/16)	2				0.002	0.0044
090	75540-62450	CUSHION 1 RUBBRE	1				0.001	0.0022

LINK



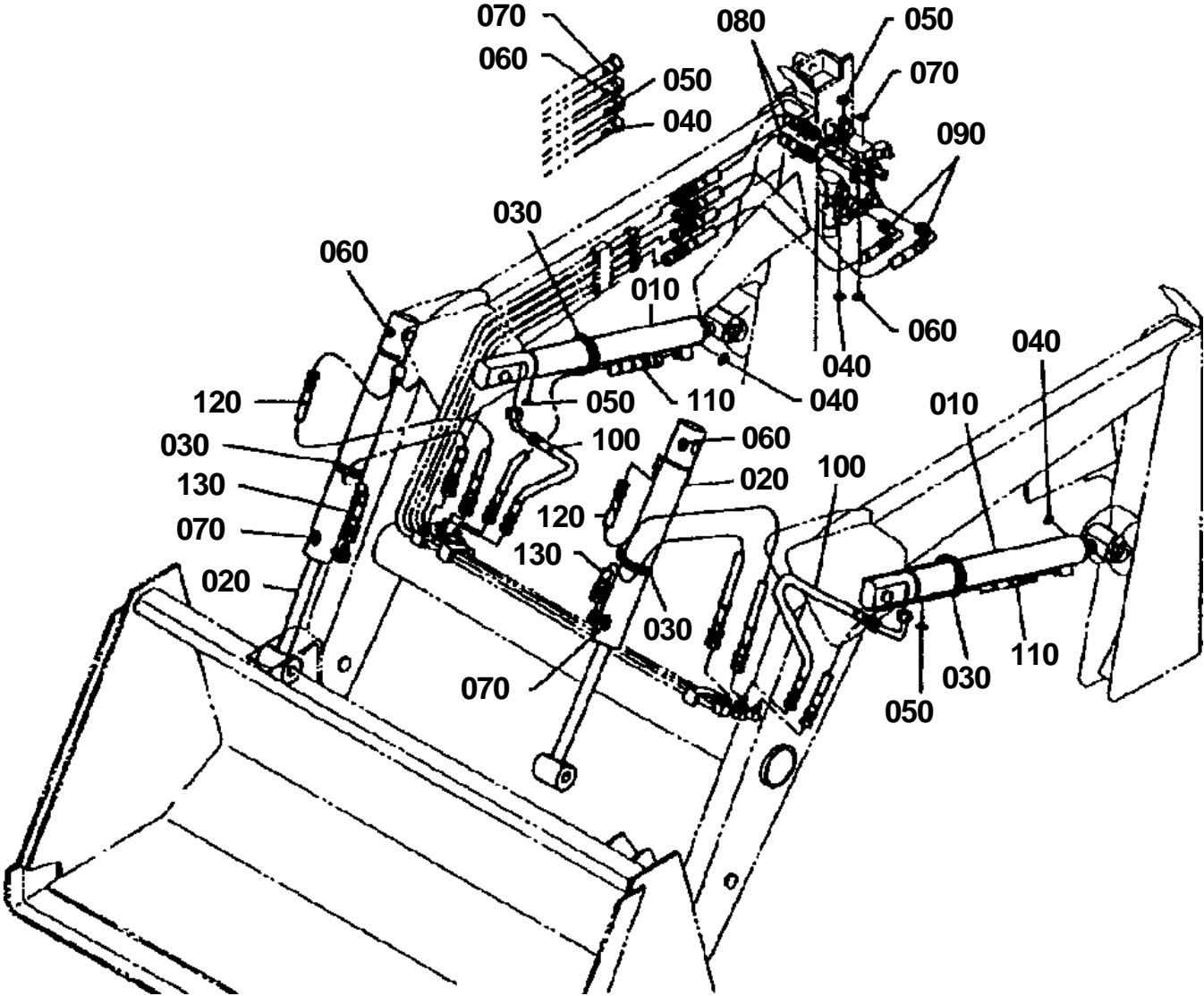


LINK

↔ Interchangeable; ≠ not interchangeable; ← new for old; → old for new

REF.No	Part No.	Description	Q'ty	S.No.	I/C	REMARKS	Weight (kgf)	Weight (lb)
010	75580-62610	LINK 4	1				0.314	0.6908
020	75580-62620	BUSHING 2	1				0.001	0.0022
030	75580-62150	COLLAR 9/16	1				0.01	0.022
040	75599-41520	CIR-CLIP EXTERNAL(9/	1				0.001	0.0022
050	75580-62510	ROD 3	1				0.04	0.088
060	75599-31043	HEX.JAM NUT(3/8-24UN	1				0.005	0.011
070	75580-62640	ROD 1 CONNECTING	1				0.82	1.804
080	75580-62650	LINK 5	1				0.05	0.11
090	75580-62140	BUSHING 1	1				0.002	0.0044
100	75599-32012	WASHER PLAIN(5/16)	2				0.002	0.0044
110	75599-53152	PIN COTTER(3/32*3/4)	2				0.001	0.0022
120	75580-62150	COLLAR 9/16	1				0.01	0.022
130	75599-41520	CIR-CLIP EXTERNAL(9/	1				0.001	0.0022
140	75580-62670	LINK 6	1				0.001	0.0022
150	75580-62140	BUSHING 1	1				0.002	0.0044
160	75599-32012	WASHER PLAIN(5/16)	1				0.002	0.0044
170	75599-53152	PIN COTTRE(3/32*3/4)	1				0.001	0.0022
180	75580-62690	ROD 2 CONNECTING	1				0.76	1.672
190	75599-32012	WASHER PLAIN(5/16)	1				0.002	0.0044
200	75599-53152	PIN COTTER(3/32*3/4)	1				0.001	0.0022

CYLINDER AND HYDRAULIC HOSE



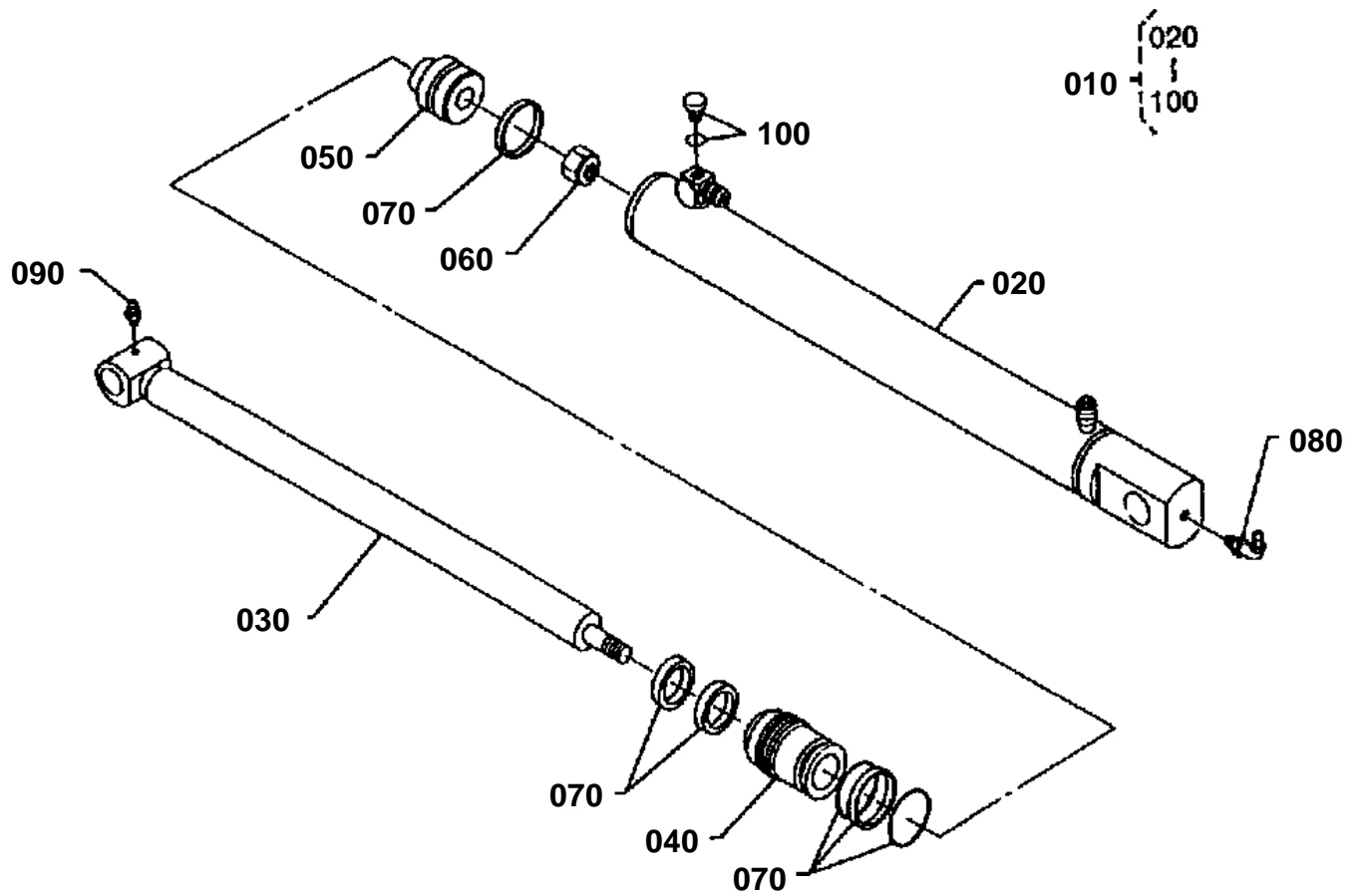


CYLINDER AND HYDRAULIC HOSE

↔ Interchangeable; ≠ not interchangeable; ← new for old; → old for new

REF.No	Part No.	Description	Q'ty	S.No.	I/C	REMARKS	Weight (kgf)	Weight (lb)
010	75545-63010	CYLINDER 1	2				4.5	9.9
020	75581-64010	CYLINDER 2	2				12	26.4
030	75590-64650	BAND CODE	4				0.01	0.022
040	75540-64950	MARK WHITE	4				0.001	0.0022
050	75540-64960	MARK YELLOW	4				0.002	0.0044
060	75540-64970	MARK BLUE	4				0.001	0.0022
070	75540-64980	MARK RED	4				0.002	0.0044
080	75580-66113	HOSE 1 HYDRAULIC	2			L:27.8 9/16-18 BOTH ENDS	0	0
090	75580-66122	HOSE 2 HYDRAULIC	2			L:29.3 9/16-18 X 3/4-16 90 BENT TUBE	0	0
100	75535-66610	HOSE 8 HYDRAULIC	2			L:22.0 3/4-16 X 3/4-16 90 BENT TUBE	0.34	0.748
110	75581-66620	HOSE 9 HYDRAULIC	2			L:41.53/4-16 BOTH ENDS	0.45	0.99
120	75581-66630	HOSE 10 HYDRAULIC	2			L:17.63/4-16 BOTH ENDS	0.26	0.572
130	75580-66640	HOSE 11 HYDRAULIC	2			L:24.13/4-16 BOTH ENDS	0.26	0.572

CYLINDER (BOOM) [COMPONENT PARTS]



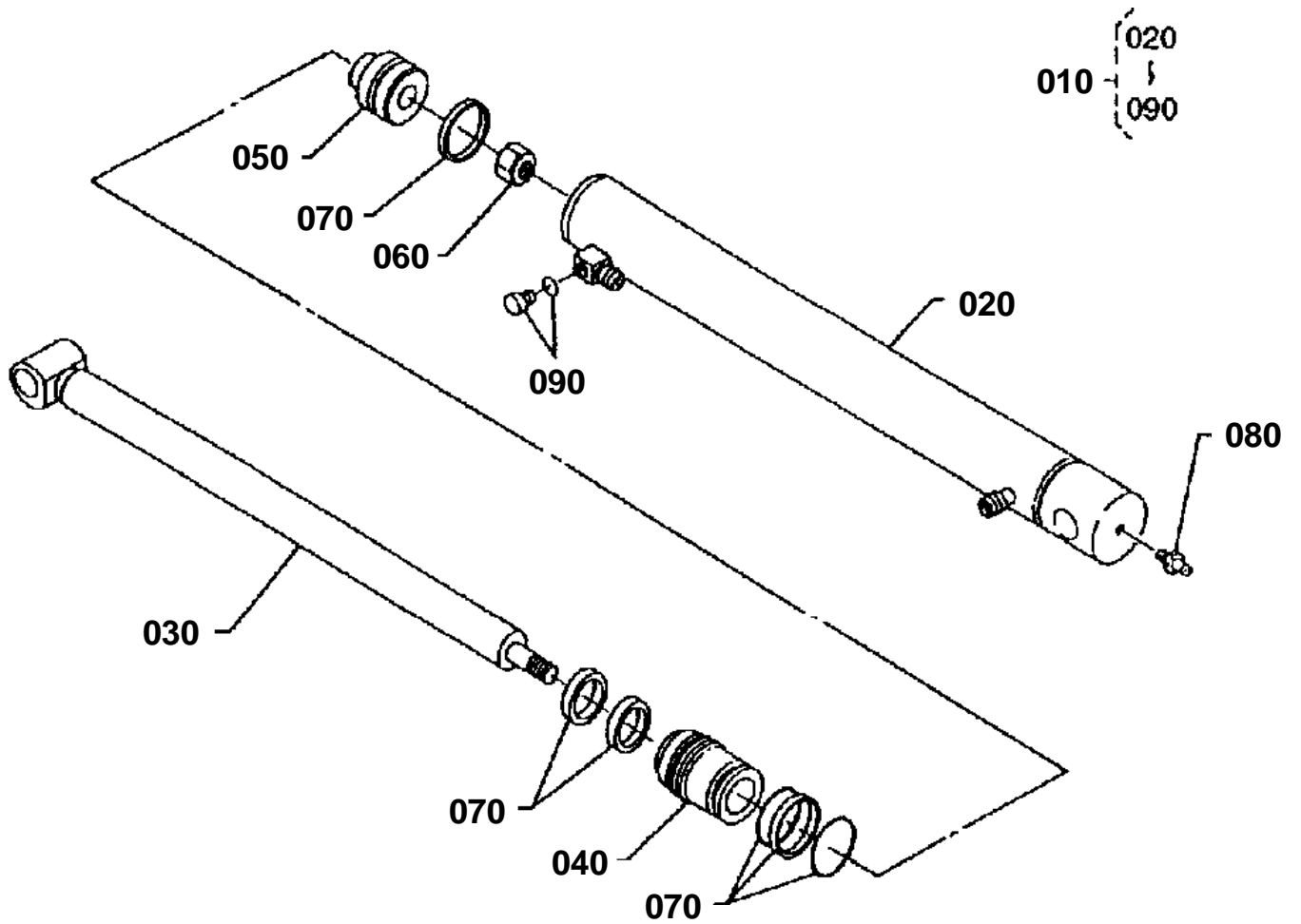


CYLINDER (BOOM) [COMPONENT PARTS]

↔ Interchangeable; ≠ not interchangeable; ← new for old; → old for new

REF.No	Part No.	Description	Q'ty	S.No.	I/C	REMARKS	Weight (kgf)	Weight (lb)
010	75545-63012	CYLINDER 1	2				0	0
020	75545-63100	TUBE 1 COMP	2				4.5	9.9
030	75545-63202	ROD 1 COMP	2				0	0
040	75545-63310	HEAD 1	2				0.18	0.396
050	75545-63350	PISTON 1	2				0.11	0.242
060	75545-63360	NUT	2				0.1	0.22
070	75545-63400	KIT 1 SEAL	2				0.1	0.22
080	75532-63470	FITTING GREASE(90DEG	2				0.01	0.022
090	75599-81531	FITTING GREASE(1/8-2	2				0.007	0.0154
100	75540-63490	PLUG	2				0.001	0.0022

CYLINDER (BUCKET) [COMPONENT PARTS]



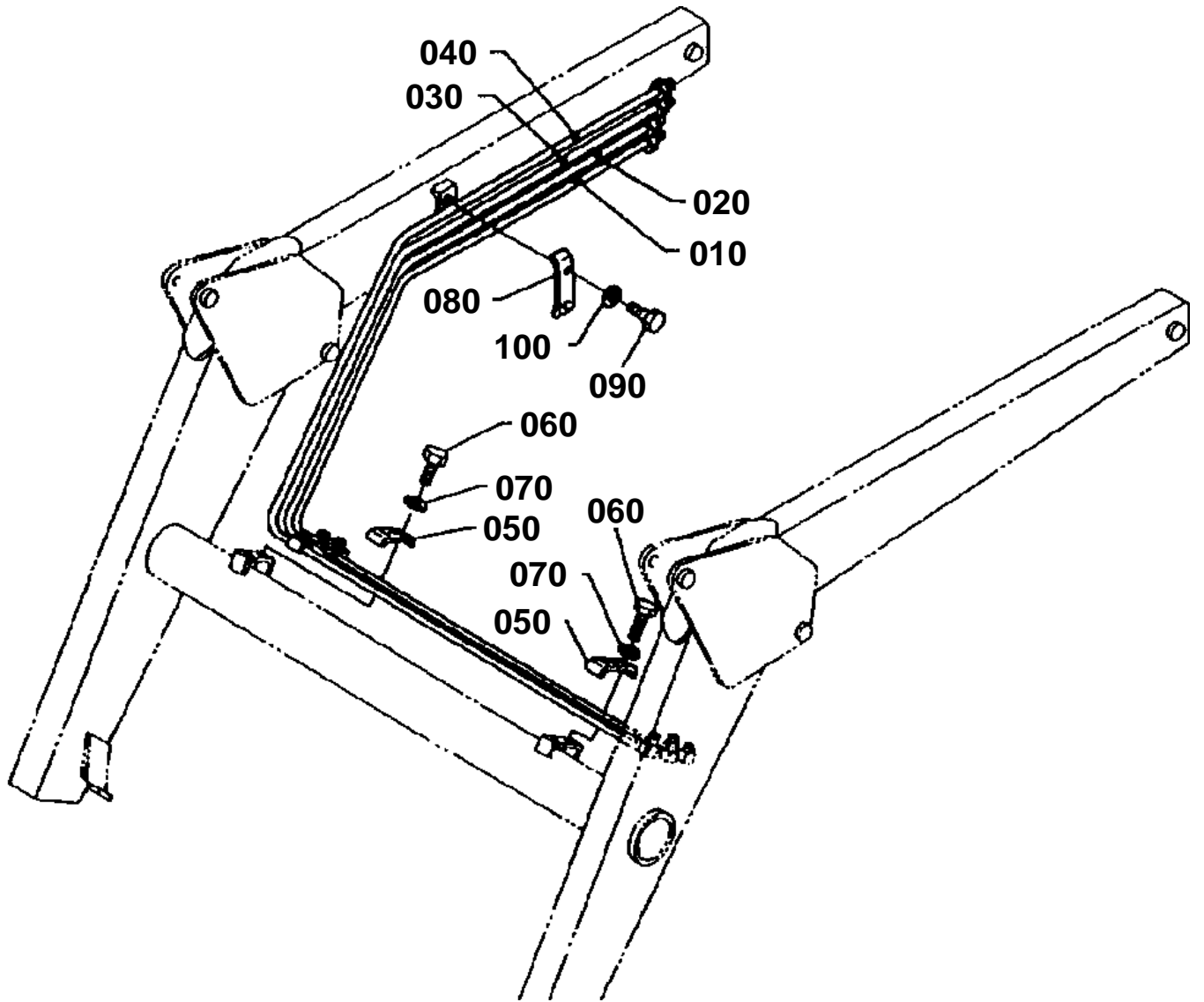


CYLINDER (BUCKET) [COMPONENT PARTS]

↔ Interchangeable; ≠ not interchangeable; ← new for old; → old for new

REF.No	Part No.	Description	Q'ty	S.No.	I/C	REMARKS	Weight (kgf)	Weight (lb)
010	75581-64010	CYLINDER 2	2				12	26.4
020	75581-64100	TUBE 2 COMP	2				6.3	13.86
030	75581-64200	ROD 2 COMP	2				4.2	9.24
040	75554-63310	HEAD	2				0.17	0.374
050	75554-63350	PISTON	2				0.14	0.308
060	75545-63360	NUT	2				0.1	0.22
070	75554-63400	KIT SEAL	2				0.1	0.22
080	75599-81531	FITTING GREASE(1/8-2	2				0.007	0.0154
090	75540-63490	PLUG	4				0.001	0.0022

HYDRAULIC TUBE



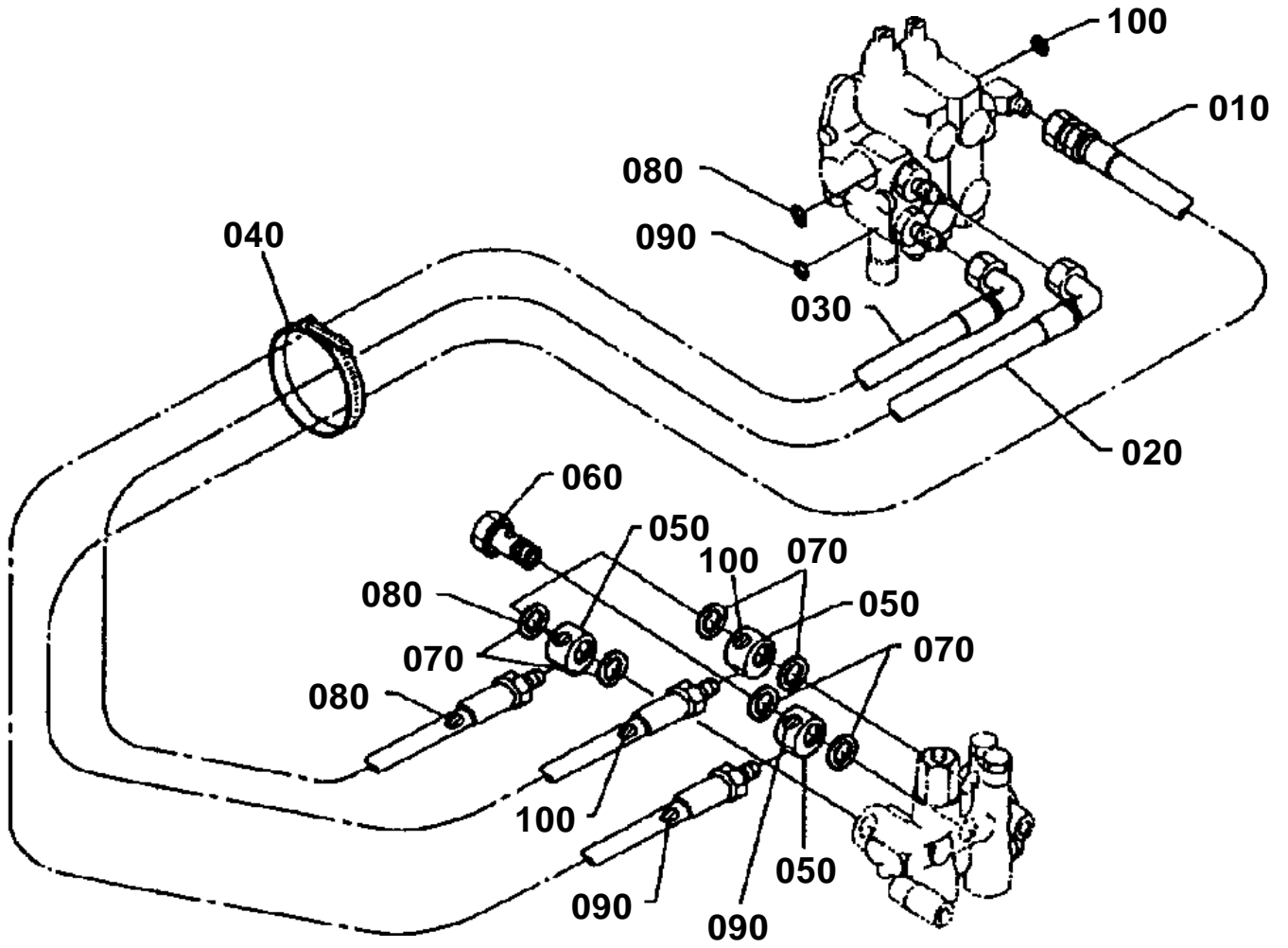


HYDRAULIC TUBE

↔ Interchangeable; ≠ not interchangeable; ← new for old; → old for new

REF.No	Part No.	Description	Q'ty	S.No.	I/C	REMARKS	Weight (kgf)	Weight (lb)
010	75540-65110	TUBE 1 HYDRAULIC	1				0.7	1.54
020	75540-65210	TUBE 2 HYDRAULIC	1				0.82	1.804
030	75540-65310	TUBE 3 HYDRAULIC	1				0.6	1.32
040	75580-65410	TUBE 4 HYDRAULIC	1				0.7	1.54
050	75540-65510	CLAMP 1	2				0.1	0.22
060	75599-01220	HEX.BOLT(5/16-18UNC*	4				0.012	0.0264
070	75599-33012	WASHER SPRING LOCK(5	4				0.002	0.0044
080	75540-65530	CLAMP 2	1				0.16	0.352
090	75599-01220	HEX.BOLT(5/16-18UNC*	2				0.012	0.0264
100	75599-33012	WASHER SPRING LOCK(5	2				0.002	0.0044

DELIVERY AND RETURN HOSE





DELIVERY AND RETURN HOSE

↔ Interchangeable; ≠ not interchangeable; ← new for old; → old for new

REF.No	Part No.	Description	Q'ty	S.No.	I/C	REMARKS	Weight (kgf)	Weight (lb)
010	75581-66310	HOSE 5 HYDRAULIC	1			L:53.6 3/8-18NPTX9/16-18 JIC	0.522	1.1484
020	75581-6641	HOSE 6 HYDRAULIC	1			L:39.8 3/8-18NPTX3/4-16 90 BENT TUBE	0	0
030	75581-66510	HOSE 7 HYDRAULIC	1			L:39.8 3/8-18NPTX3/4-16 90 BENT TUBE	0.384	0.8448
040	75590-64650	BAND CODE	2				0.01	0.022
050	75535-68320	ADAPTER	3				0.12	0.264
060	75535-68330	JOINT	3				0.081	0.1782
070	75580-68342	GASKET	6				0	0
080	75580-68950	MARK ORANGE	3				0.001	0.0022
090	75580-68960	MARK GRAY	3				0.001	0.0022
100	75580-68970	MARK GREEN	3				0.001	0.0022

IMAGE NOT AVAILABLE



ACCESSORIES AND SERVICE PARTS

↔ Interchangeable; ≠ not interchangeable; ← new for old; → old for new

REF.No	Part No.	Description	Q'ty	S.No.	I/C	REMARKS	Weight (kgf)	Weight (lb)
010	75581-69110	OPERATOR'S MANUAL	1				0.09	0.198
020	75581-99910	PART LIST	1				0	0
030	75581-95500	KIT FRENCH	1			REF.No.040 TO 110	0	0
040	75546-99610	LABEL DANGER 1(F)	1			FRENCH	0	0
050	75546-99630	LABEL DANGER 3(F)	1			FRENCH	0	0
060	75546-99640	LABEL WARNING 1(F)	2			FRENCH	0	0
070	75546-99650	LABEL CAUTION 1(F)	1			FRENCH	0	0
080	75546-99670	LABEL CAUTION 3(F)	2			FRENCH	0.001	0.0022
090	75553-99630	LABEL LEVELER(F)	1			FRENCH	0.005	0.011
100	75553-99640	LABEL CONTROL(F)	1			FRENCH	0.001	0.0022
110	75580-95550	LABEL LUBRICATE	1			FRENCH	0.001	0.0022