

# Instructions for Parts Books

The heading at the top of the page will be the same for the picture of the parts as it is for the page with the part numbers.

Definition of column headings on part number pages:

**REF.No** → The number referring to the part on the picture page of the parts book.

**Part No.** → The number assigned to this part at the time of printing the parts book.

**Description** → Description of part.

**Q'ty** → Quantity of part used on that page.

**S.No.** → Serial number range of the equipment that this part will fit.

>= Your serial number should be greater than or equal to the number shown.

<= Your serial number should be lesser than or equal to the serial number shown.

**I/C** → Interchangeability of part shown.

↔ The part shown will work for the older and later serial number.

# The part shown is not interchangeable with the other serial number.

← new for old

→ old for new

**Remarks** → Notes about this particular part. Sometimes this may say except [FR] or [CA]

## Note about Country Codes:

The parts books we use in the United States of America may also contain information about a part that would be different in another country. It is important that you are aware of the country codes in some instances.

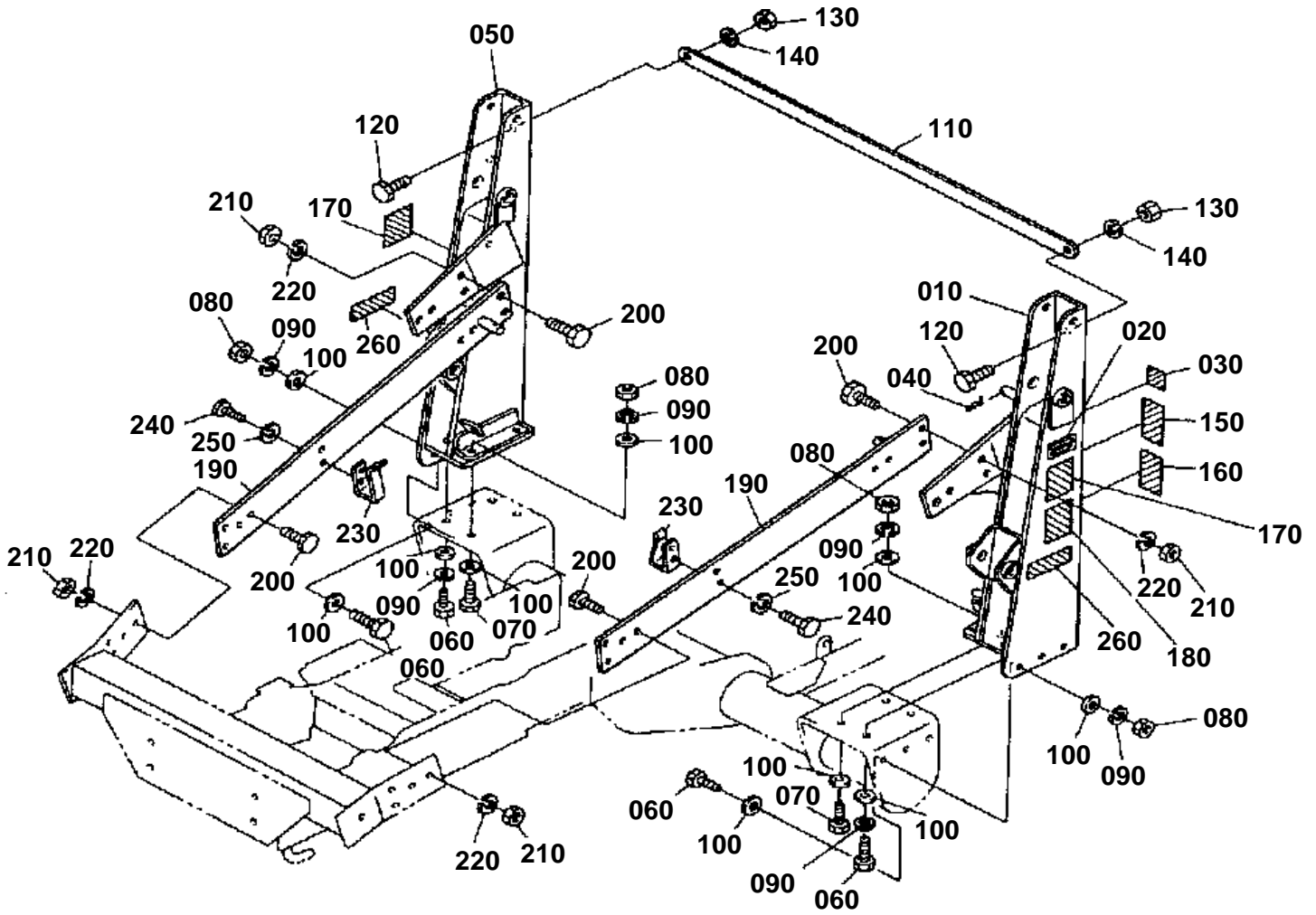
Symbol	Country
A	United States of America
CA	Canada
FR	France
GR	Greece
PO	Portugal
AU	Australia

If the remarks column says for example EXCEPT [FR] this part works in all countries except France. That means it will work here in the USA.

# TL421 Loader Description

Part No.		Book
01L01	SIDE FRAME	100A0115
01L02	SWING FRAME	100A0115
01L03	BUCKET	100A0115
01L04	CONTROL VALVE	100A0115
01L05	CONTROL VALVE(COMPONENT PARTS)	100A0115
01L07	CONTROL LEVER	100A0115
01L08	LEVER COVER	100A0115
01L09	LINK	100A0115
01L10	CYLINDER HYDRAULIC HOSE	100A0115
01L11	BOOM CYLINDER (COMPONENT PARTS)	100A0115
01L12	BUCKET CYLINDER (COMPONENT PARTS)	100A0115
01L13	HYDRAULIC TUBE	100A0115
01L14	DELIVERY RETURN HOSE	100A0115
01L15	FRONT GUARD	100A0115
01L16	ACCESSORIES AND SERVICE PARTS	100A0115

SIDE FRAME

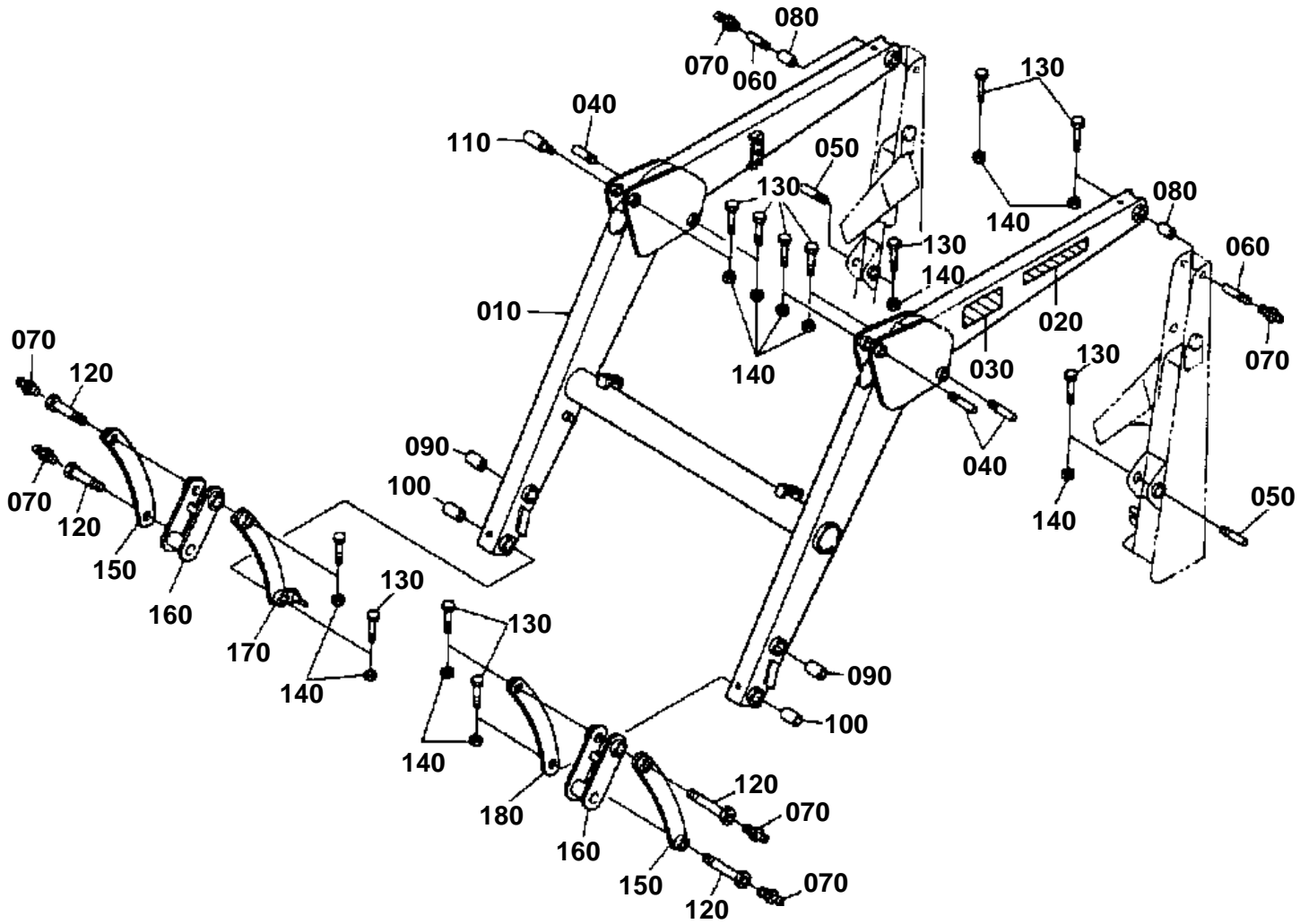


**SIDE FRAME**

↔ Interchangeable; ≠ not interchangeable; ← new for old; → old for new

REF.No	Part No.	Description	Q'ty	S.No.	I/C	REMARKS	Weight (kgf)	Weight (lb)
010	75583-90120	FRAME SIDE LH(LABEL)	1				0	0
020	99999-99999	LABEL MODEL	1			N/A SERVICE	0	0
030	75580-56370	LABEL LUBRICATE	1				0	0
040	75540-56720	PIN SPRING	2				0	0
050	75583-90130	FRAME SIDE RH(LABEL)	1				0	0
060	75599-04630	HEX.BOLT	10			9/16-18UNF*1 1/2	0	0
070	75599-04635	HEX.BOLT	4			9/16-18UNF*1 3/4	0	0
080	75599-31066	HEX.NUT	10			9/16-18UNF	0	0
090	75599-33016	WASHER SPRING LOCK	14			9/16	0.08	0.176
100	75599-32516	WASHER PLAIN	24			9/16HD	0	0
110	75580-56710	CONNECTOR SIDE FRAME	1				0	0
120	75599-04630	HEX.BOLT	2			9/16-18UNF*1 1/2	0	0
130	75599-31066	HEX.NUT	2			9/16-18UNF	0	0
140	75599-33016	WASHER SPRING LOCK	2			9/16	0.08	0.176
150	75546-56412	LABEL DANGER 1	1				0	0
160	75546-56430	LABEL DANGER 3	1				0	0
170	75546-56440	LABEL WARNING 1	2				0	0
180	75546-56450	LABEL CAUTION 1	1				0	0
190	75583-57400	COMP BRACE	2				0	0
200	75599-04630	HEX.BOLT	16			9/16-18UNF*1 1/2	0	0
210	75599-31066	HEX.NUT	16			9/16-18UNF	0	0
220	75599-33016	WASHER SPRING LOCK	16			9/16	0.08	0.176
230	75583-57530	PLATE SPRING	2				0	0
240	75599-01210	HEX.BOLT	4			5/16-18UNC*1/2	0	0
250	75599-33012	WASHER SPRING LOCK	4			5/16	0	0
260	75583-58460	LABEL TL421	2				0	0

SWING FRAME

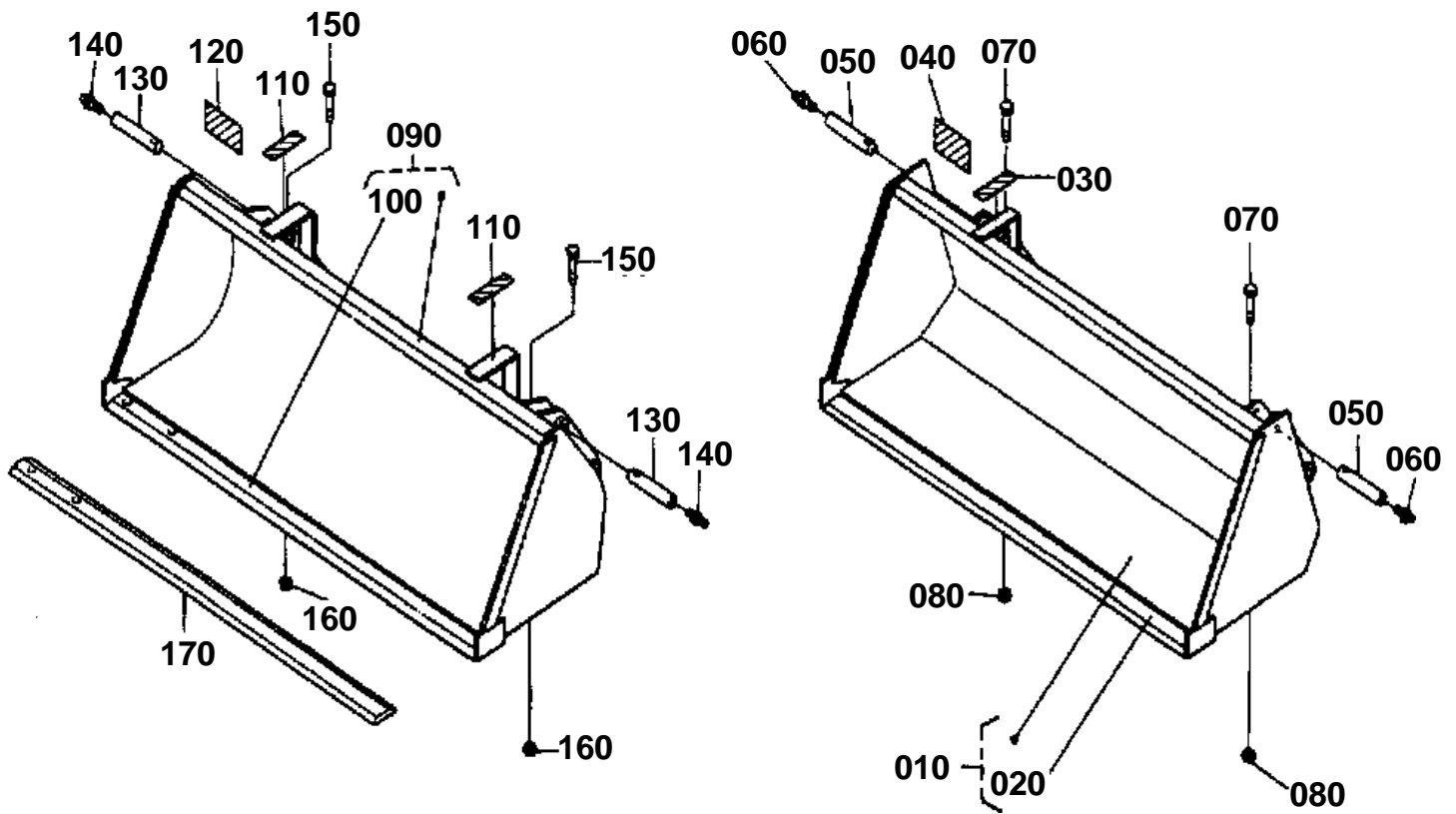


**SWING FRAME**

↔ Interchangeable; ≠ not interchangeable; ← new for old; → old for new

REF.No	Part No.	Description	Q'ty	S.No.	I/C	REMARKS	Weight (kgf)	Weight (lb)
010	75583-58010	BOOM	1				0	0
020	75583-58450	LABEL KUBOTA	2				0	0
030	75583-58470	LABEL B21	2				0	0
040	75545-58510	PIN 1	3				0	0
050	75545-58610	PIN 2	2				0	0
060	75545-58710	PIN 3	2				0	0
070	75599-81521	FITTING GREASE	6			1/4-28T.T.	0	0
080	75583-58720	BUSHING 1	2				0	0
090	75583-58730	BUSHING 2	2				0	0
100	75583-58740	BUSHING 3	2				0	0
110	75583-58770	PIN 6	1				0	0
120	75581-58780	PIN 7	4				0	0
130	75599-03145	HEX.BOLT	12			1/4-20UNF*2 1/4	0	0
140	75599-31911	NUT LOCKING	12			1/4-20UNC	0	0
150	75583-58800	COMP LINK 1	2				0	0
160	75583-58820	LINK 2	2				0	0
170	75583-58850	COMP LINK 3	1				0	0
180	75583-58900	COMP LINK 4	1				0	0

BUCKET



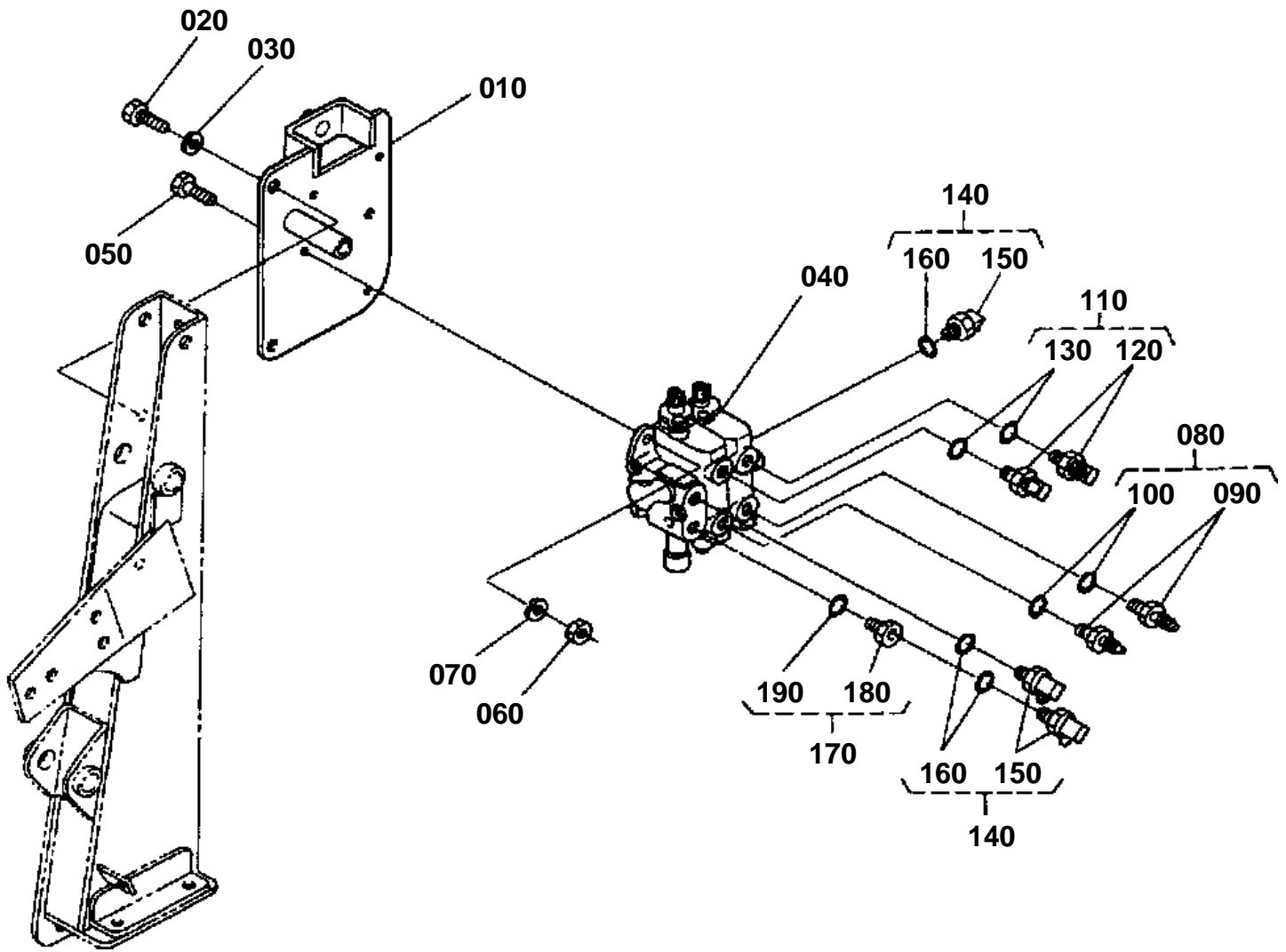
**BUCKET**

↔ Interchangeable; ≠ not interchangeable; ← new for old; → old for new

REF.No	Part No.	Description	Q'ty	S.No.	I/C	REMARKS	Weight (kgf)	Weight (lb)
010	75583-59010	BUCKET 56	1				0	0
020	75580-59320	EDGE CUTTING	1				0	0
030	75540-59450	LABEL LEVELER	1				0	0
040	99999-99999	LABEL MODEL	1			N/A SERVICE	0	0
050	75545-58710	PIN 3	4				0	0
060	75599-81521	FITTING GREASE	4			1/4-28T.T.	0	0
070	75599-03145	HEX.BOLT	4			1/4-20UNC*2 1/4	0	0
080	75599-31911	NUT LOCKING	4			1/4-20UNC	0	0
090	75583-79010	BUCKET 56R	1				0	0
100	75583-79320	EDGE CUTTING	1				0	0
110	75540-59450	LABEL LEVELER	2				0	0
120	99999-99999	LABEL MODEL	1			N/A SERVICE	0	0
130	75545-58710	PIN 3	4				0	0
140	75599-81521	FITTING GREASE	4			1/4-28T.T.	0	0
150	75599-03145	HEX.BOLT	4			1/4-20UNC*2 1/4	0	0
160	75599-31911	NUT LOCKING	4			1/4-20UNC	0	0
170	75583-79800	KIT BLADE BOLT ON	1				0	0



CONTROL VALVE



**CONTROL VALVE**

↔ Interchangeable; ≠ not interchangeable; ← new for old; → old for new

REF.No	Part No.	Description	Q'ty	S.No.	I/C	REMARKS	Weight (kgf)	Weight (lb)
010	75583-61110	STAY VALVE	1				0	0
020	75599-03515	HEX.BOLT	2			1/2-13UNC*3/4	0	0
030	75599-33015	WASHER SPRING LOCK	2			1/2	0	0
040	75540-61013	VALVE CONTROL	1				0	0
050	75599-03325	HEX.BOLT	3			3/8-16UNC*1 1/4	0	0
060	75599-31013	HEX.NUT	3			3/8-16UNC	0	0
070	75599-33013	WASHER SPRING LOCK	3			3/8	0	0
080	75580-61800	ASSY ADAPTER 1	2				0	0
090	75580-61810	ADAPTER 1	2			N/A SERVICE	0	0
100	75540-61820	O-RING	2				0	0
110	75540-61900	ASSY ELBOW ADJUST.	2				0	0
120	75540-61910	ELBOW ADJUSTABLE	2			N/A SERVICE	0	0
130	75540-61820	O-RING	2				0	0
140	75560-61950	ASSY ELBOW 2 ADJUST.	3				0	0
150	75560-61960	ELBOW 2 ADJUSTABLE	3			N/A SERVICE	0	0
160	75540-61820	O-RING	3				0	0
170	75595-63400	ASSY PLUG ORIFICE	1				0	0
180	75595-63410	PLUG ORIFICE	1			N/A SERVICE	0	0
190	75540-61820	O-RING	1				0	0



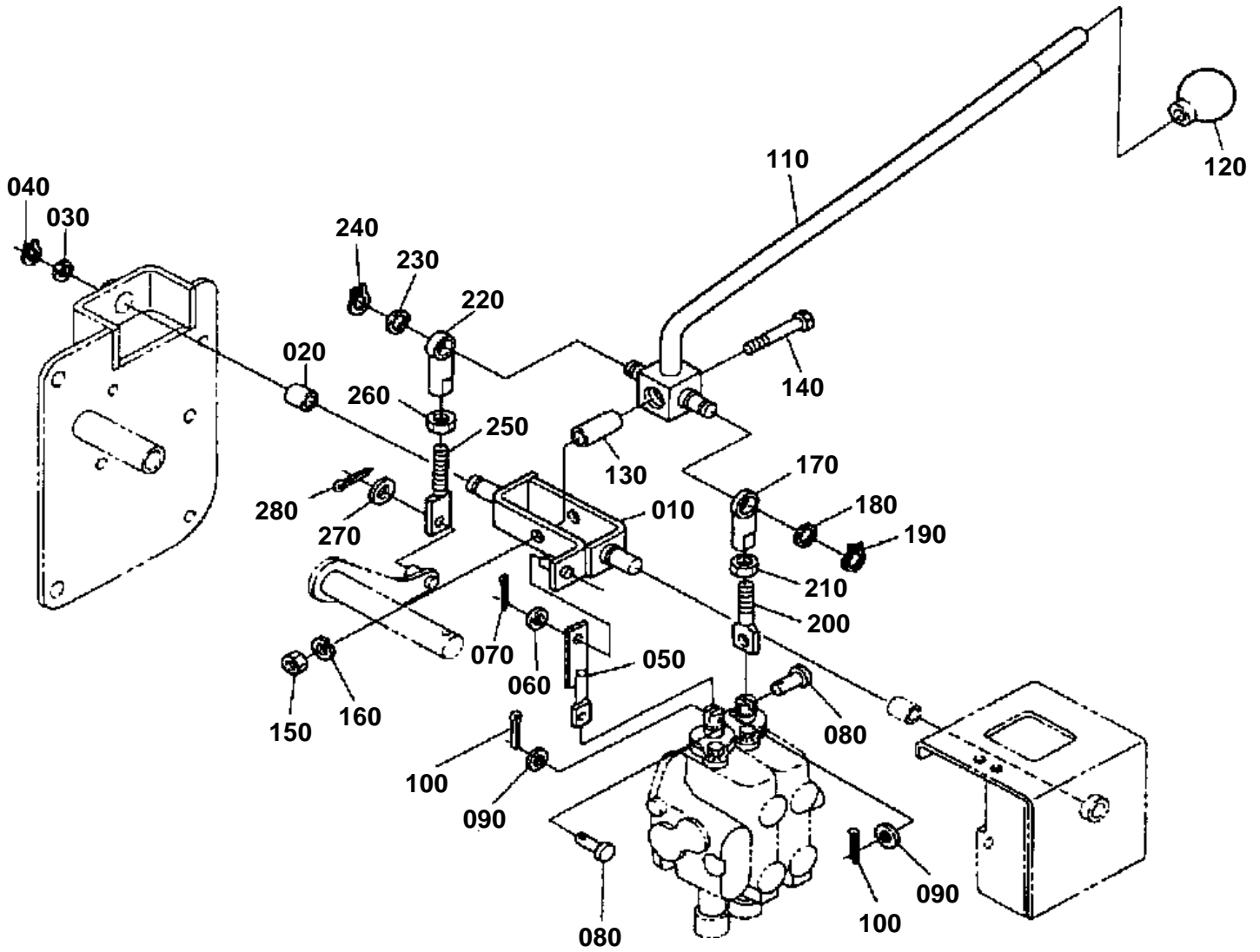


**CONTROL VALVE(COMPONENT PARTS)**

↔ Interchangeable; ≠ not interchangeable; ← new for old; → old for new

REF.No	Part No.	Description	Q'ty	S.No.	I/C	REMARKS	Weight (kgf)	Weight (lb)
010	75540-61013	VALVE CONTROL	1				0	0
020	75540-61202	ASSY INLET SECTION	1				0	0
030	75540-61250	O-RING	1				0	0
040	75540-61302	ASSY SPOOL SECTION 1	1				0	0
050	75540-61310	CLEVIS END	1				0	0
060	75540-61320	SPACER-CAP SPOOL	1				0	0
070	75540-61330	PLATE-SEAL	1				0	0
080	75540-61340	CAP SCREW-SOC.HD.	2				0	0
090	75540-61350	CAP-SPOOL	1				0	0
100	75540-61360	SPACER-CAP SPOOL	1				0	0
110	75540-61370	SPACER	4				0	0
120	75540-61380	POPPET-C.V.	1				0	0
130	75540-61390	SPRING	1				0	0
140	75540-61410	CAP SCREW-SOC.HD.	2				0	0
150	75540-61420	KIT DETENT	1				0	0
160	75540-61430	KIT CAP SPOOL SEC.1	1				0	0
170	75540-61402	ASSY SPOOL SEC.2	1				0	0
180	75540-61440	MACHINE SCREW-RD.HD.	1				0	0
190	75540-61450	CAP-SPOOL	1				0	0
200	75540-61460	CAP SCREW-SOC.HD.	2				0	0
210	75540-61470	KIT CAP SPOOL SEC.2	1				0	0
220	75540-61500	ASSY OUTLET SECTION	1				0	0
230	75540-61250	O-RING	1				0	0
240	75540-61602	ASSY PLUG	1				0	0
250	75540-61610	PLUG-SAE	1			N/A SERVICE	0	0
260	75540-61620	O-RING	1				0	0
270	75540-61700	KIT TIE ROD	1				0	0
280	75540-61710	TIE ROD	1				0	0
290	75540-61720	TIE ROD	2				0	0
300	75540-61730	NUT-SPECIAL	2				0	0
310	75540-61740	NUT-SPECIAL	4				0	0
320	75540-61250	O-RING	2				0	0
330	75540-99700	KIT SEAL SPOOL SEC.1	1				0	0
340	75553-99810	O-RING	2				0	0
350	75540-99720	WIPER	1				0	0
360	75540-99730	O-RING	2				0	0
370	75540-99740	O-RING	2				0	0
380	75540-99800	KIT SEAL SPOOL SEC.2	1				0	0
390	75553-99810	O-RING	2				0	0
400	75540-99720	WIPER	2				0	0

# CONTROL LEVER

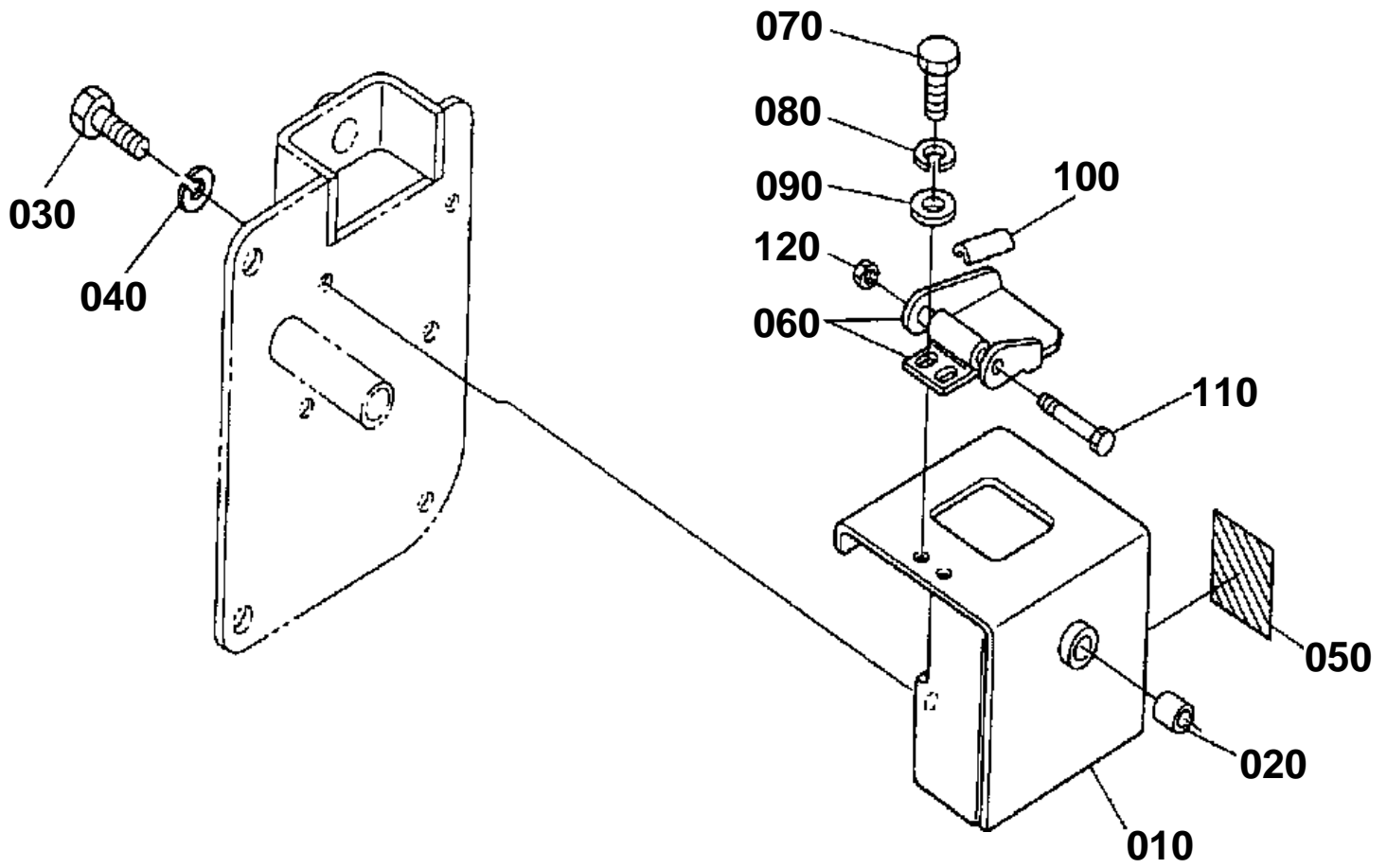


**CONTROL LEVER**

↔ Interchangeable; ≠ not interchangeable; ← new for old; → old for new

REF.No	Part No.	Description	Q'ty	S.No.	I/C	REMARKS	Weight (kgf)	Weight (lb)
010	75583-62110	LEVER	1				0	0
020	75540-62140	BUSHING	2				0	0
030	75545-62150	COLLAR 5/8	1				0	0
040	75599-41522	CIR-CLIP EXTERNAL	1			5/8	0	0
050	75540-62160	ROD 1	1				0	0
060	75599-32012	WASHER PLAIN	1			5/16	0.002	0.0044
070	75599-53152	PIN COTTER	1			1/32*1/2	0	0
080	75540-62190	PIN	2				0	0
090	75599-32009	WASHER PLAIN	2			13/64	0	0
100	75599-53111	PIN COTTER	2			1/32*1/2	0	0
110	75583-62210	LEVER CONTROL	1				0	0
120	31355-82520	GRIP LEVER	1				0.05	0.11
130	75595-72150	SLEEVE	1				0	0
140	75599-04340	HEX.BOLT	1			3/8-24UNF*2	0	0
150	75599-31023	HEX.NUT	1			3/8-24UNF	0.006	0.0132
160	75599-33013	WASHER SPRING LOCK	1			3/8	0	0
170	75540-62260	JOINT ROD END	1				0	0
180	75540-62270	COLLAR	1				0	0
190	75599-41515	CIR-CLIP EXTERNAL	1			3/8	0	0
200	75540-62280	ROD 2	1				0	0
210	75599-31043	HEX.JAM NUT	1			3/8-24UNF	0	0
220	75540-62260	JOINT ROD END	1				0	0
230	75540-62270	COLLAR	1				0	0
240	75599-41515	CIR-CLIP EXTERNAL	1			3/8	0	0
250	75583-62510	ROD 3	1				0	0
260	75599-31043	HEX.JAM NUT	1			3/8-24UNF	0	0
270	75599-32012	WASHER PLAIN	1			5/16	0.002	0.0044
280	75599-53152	PIN COTTER	1			3/32-3/4	0	0

LEVER COVER



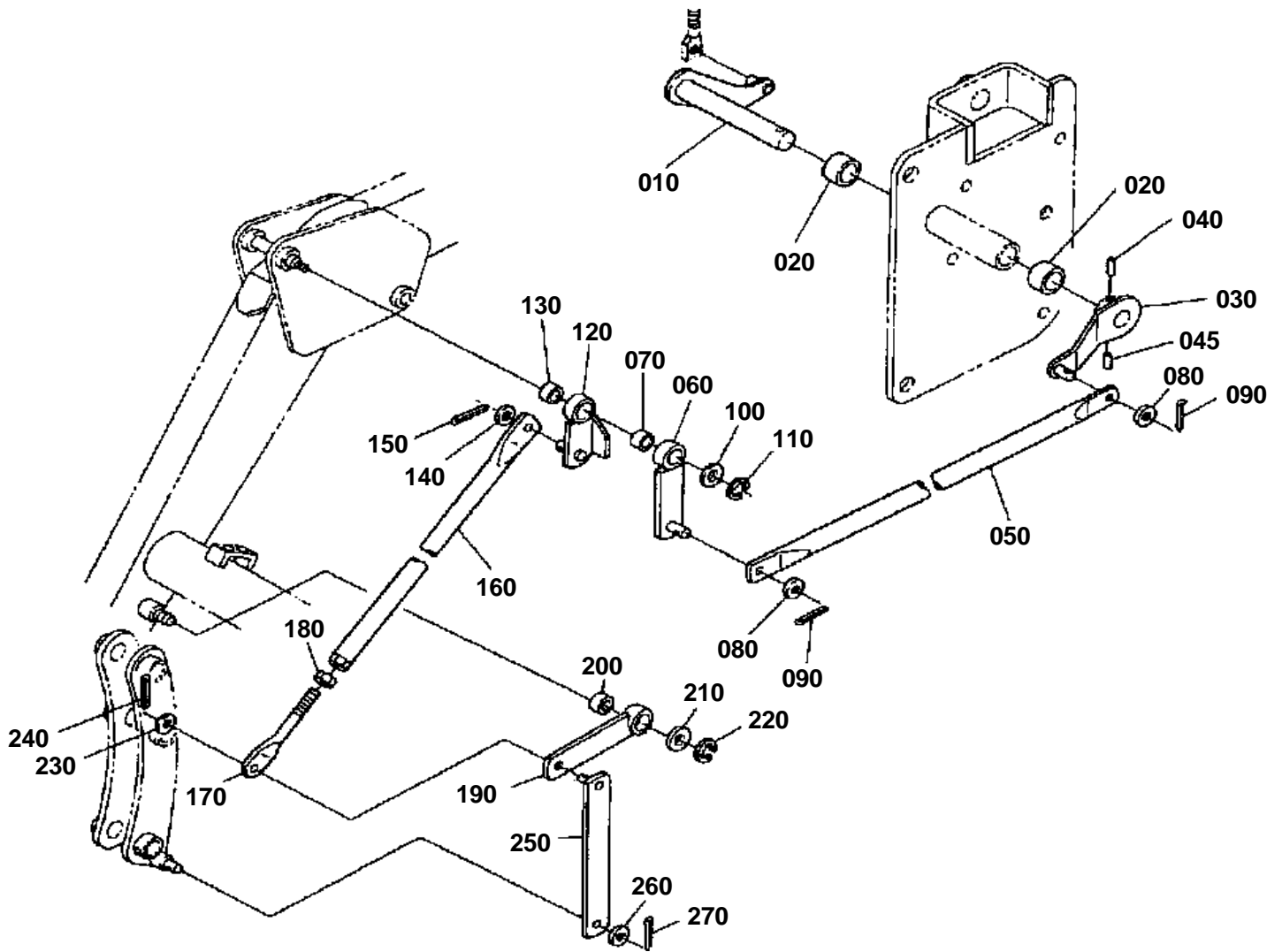
**LEVER COVER**

↔ Interchangeable; ≠ not interchangeable; ← new for old; → old for new

REF.No	Part No.	Description	Q'ty	S.No.	I/C	REMARKS	Weight (kgf)	Weight (lb)
010	75583-62310	COMP COVER	1				0	0
020	75540-62140	BUSHING	1				0	0
030	75599-01215	HEX.BOLT	2			5/16-18UNC*3/4	0	0
040	75599-33012	WASHER SPRING LOCK	2			5/16	0	0
050	75540-62360	LABEL CONTROL	1				0	0
060	75583-62400	ASSY LIMITER	1				0	0
070	75599-01212	HEX.BOLT	2			5/16-18UNC*5/8	0	0
080	75599-33012	WASHER SPRING LOCK	2			5/8	0	0
090	75599-32012	WASHER PLAIN	2			5/16	0.002	0.0044
100	75540-62450	CUSHION 1 RUBBER	1				0	0
110	75599-01255	HEX.BOLT	1			5/16-18UNC	0	0
120	75599-31912	NUT LOCKING	1			5/16-18UNC	0	0



LINK



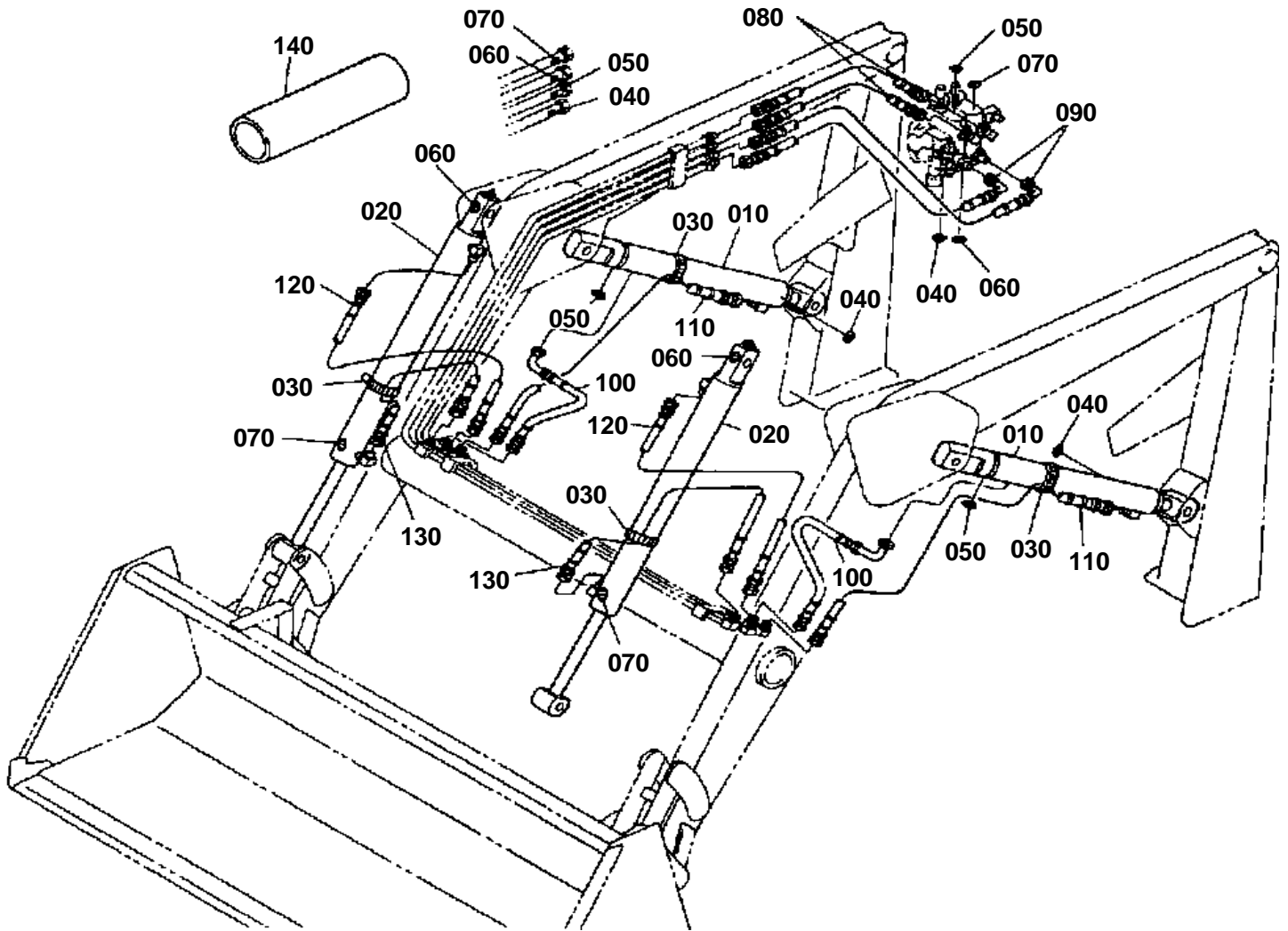


LINK

↔ Interchangeable; ≠ not interchangeable; ← new for old; → old for new

REF.No	Part No.	Description	Q'ty	S.No.	I/C	REMARKS	Weight (kgf)	Weight (lb)
010	75583-62570	LINK 3	1				0	0
020	75540-62140	BUSHING	2				0	0
030	75583-62610	LINK 4	1				0	0
040	75599-52620	PIN SPRING	1			1/4*1.0	0	0
045	75599-52321	PIN SPRING	1			5/32*7/8	0	0
050	75583-62640	ROD 1 CONNECTING	1				0	0
060	75583-62650	LINK 5	1				0	0
070	75580-62140	BUSHING 1	1				0	0
080	75599-32012	WASHER PLAIN	1			5/16	0.002	0.0044
090	75599-53152	PIN COTTER	1			3/32*3/4	0	0
100	75580-62150	COLLAR 9/16	1				0	0
110	75599-41520	CIR-CLIP EXTERNAL	1			9/16	0	0
120	75583-62670	LINK 6	1				0	0
130	75580-62140	BUSHING 1	1				0	0
140	75599-32012	WASHER PLAIN	2			5/16	0.002	0.0044
150	75599-53152	PIN COTTER	2			3/32*3/4	0	0
160	75583-62690	ROD 2 CONNECTING	1				0	0
170	75580-62510	ROD 3	1				0	0
180	75599-31043	HEX.JAM NUT	1			3/8-24UNF	0	0
190	75583-62710	LINK 7	1				0	0
200	75580-62140	BUSHING 1	1				0	0
210	75580-62150	COLLAR 9/16	1				0	0
220	75599-41520	CIR-CLIP EXTERNAL	1			9/16	0	0
230	75599-32012	WASHER PLAIN	1			5/16	0.002	0.0044
240	75599-53152	PIN COTTER	1			3/32*3/4	0	0
250	75583-62720	LINK 8	1				0	0
260	75599-32012	WASHER PLAIN	1			5/16	0.002	0.0044
270	75599-53152	PIN COTTER	1			3/32*3/4	0	0

CYLINDER HYDRAULIC HOSE



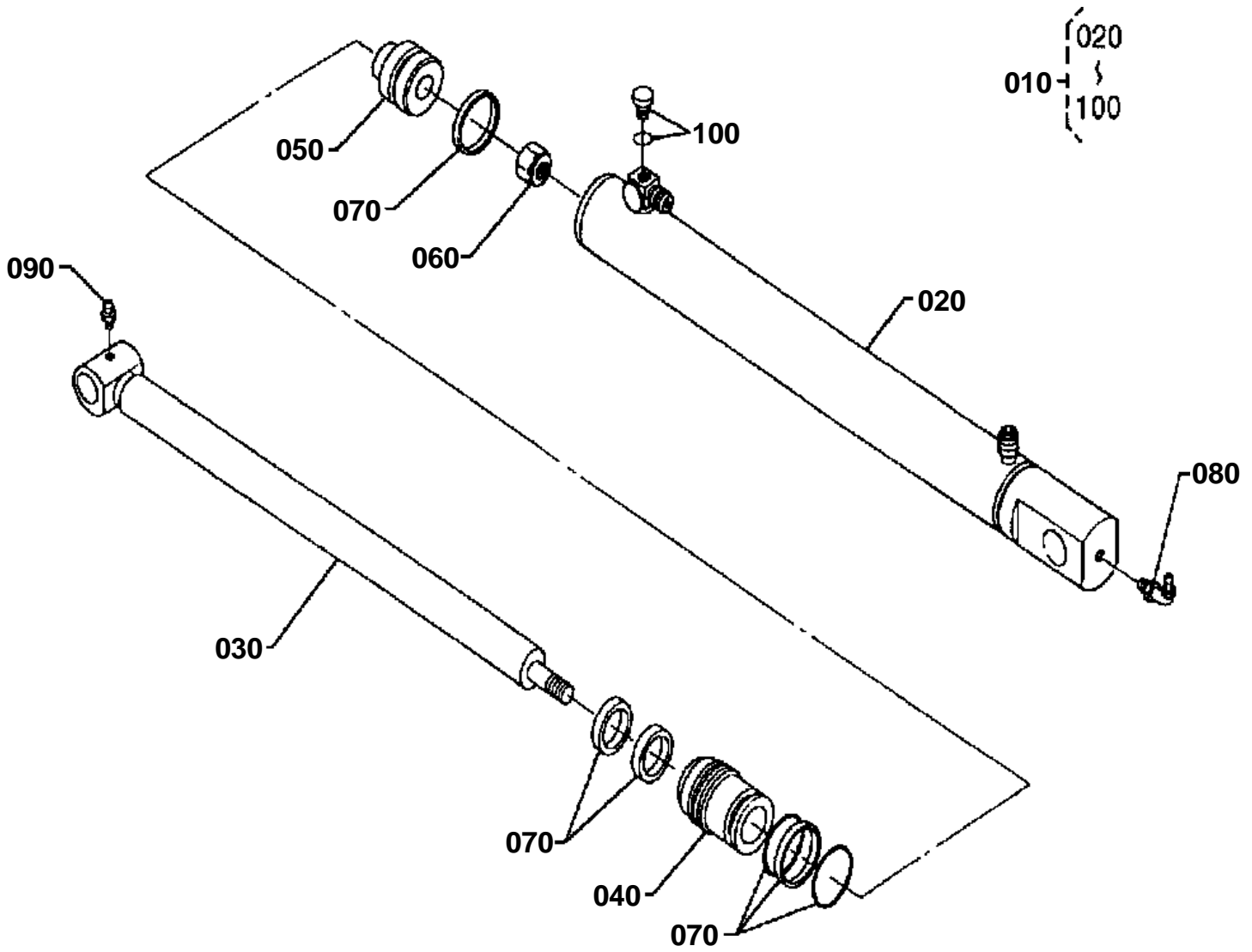


# CYLINDER HYDRAULIC HOSE

↔ Interchangeable; ≠ not interchangeable; ← new for old; → old for new

REF.No	Part No.	Description	Q'ty	S.No.	I/C	REMARKS	Weight (kgf)	Weight (lb)
010	75545-63012	CYLINDER 1	2				0	0
020	75583-64010	CYLINDER 2	2				0	0
030	75590-64650	BAND CODE	4				0	0
040	75540-64950	MARK WHITE	4				0	0
050	75540-64960	MARK YELLOW	4				0	0
060	75540-64970	MARK BLUE	4				0	0
070	75540-64980	MARK RED	4				0	0
080	75580-66113	HOSE 1 HYDRAULIC	2				0	0
090	75583-66120	HOSE 2 HYDRAULIC	2				0	0
100	75535-66610	HOSE 8 HYDRAULIC	2				0	0
110	75581-66620	HOSE 9 HYDRAULIC	2				0	0
120	75581-66630	HOSE 10 HYDRAULIC	2				0	0
130	75580-66640	HOSE 11 HYDRAULIC	2				0	0
140	75536-66140	SLEEVE	1				0	0

BOOM CYLINDER (COMPONENT PARTS)



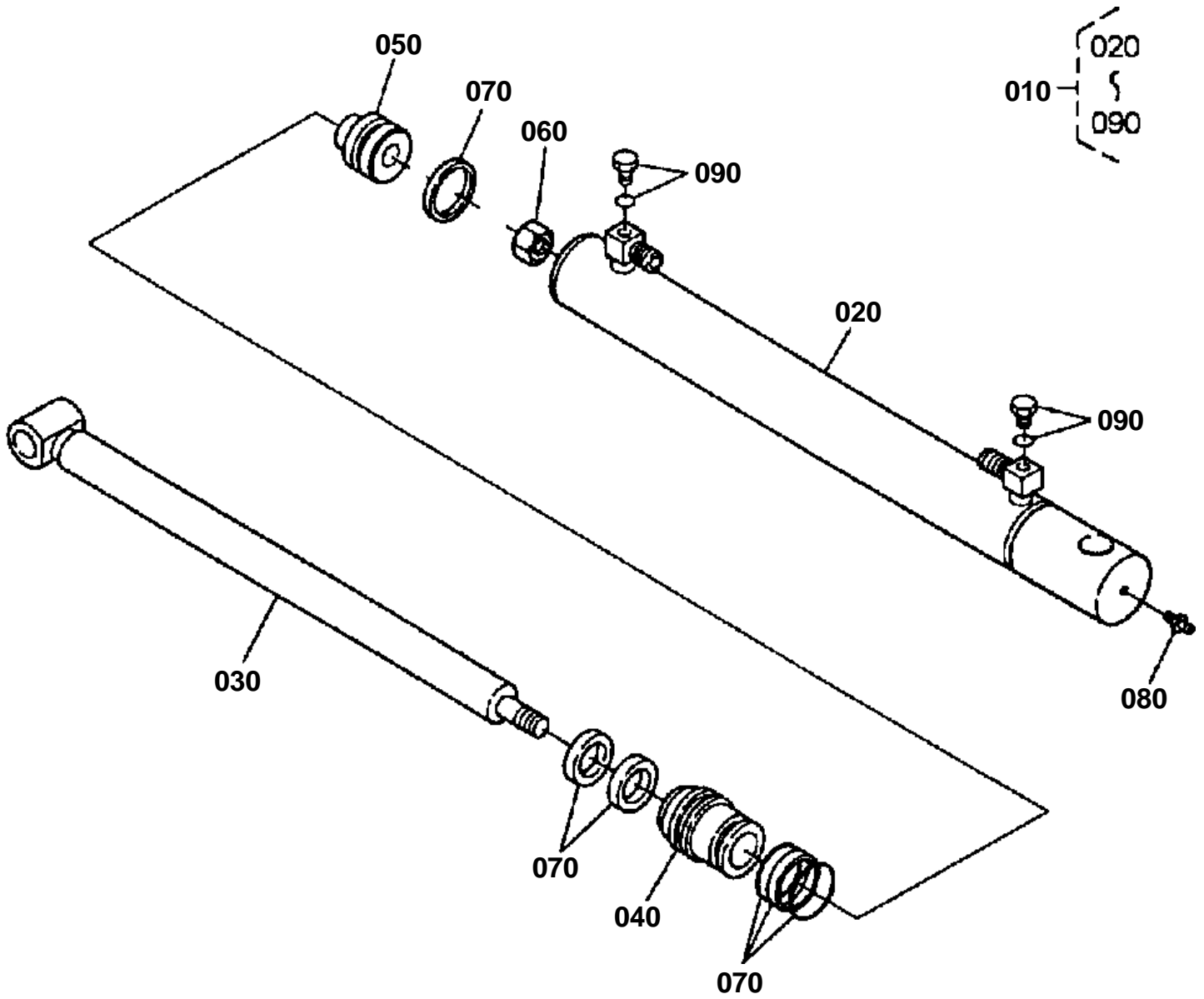


## BOOM CYLINDER (COMPONENT PARTS)

↔ Interchangeable; ≠ not interchangeable; ← new for old; → old for new

REF.No	Part No.	Description	Q'ty	S.No.	I/C	REMARKS	Weight (kgf)	Weight (lb)
010	75545-63012	CYLINDER 1	2				0	0
020	75545-63100	TUBE 1 COMP	2				0	0
030	75545-63202	ROD 1 COMP	2				0	0
040	75545-63310	HEAD 1	2				0	0
050	75545-63350	PISTON 1	2				0	0
060	75545-63360	NUT	2				0	0
070	75545-63400	KIT 1 SEAL	2				0	0
080	75532-63470	FITTING GREASE	2			90DEG.	0	0
090	75599-81531	FITTING GREASE	2			1/8-27PTF	0	0
100	75540-63490	PLUG	2				0	0

BUCKET CYLINDER (COMPONENT PARTS)



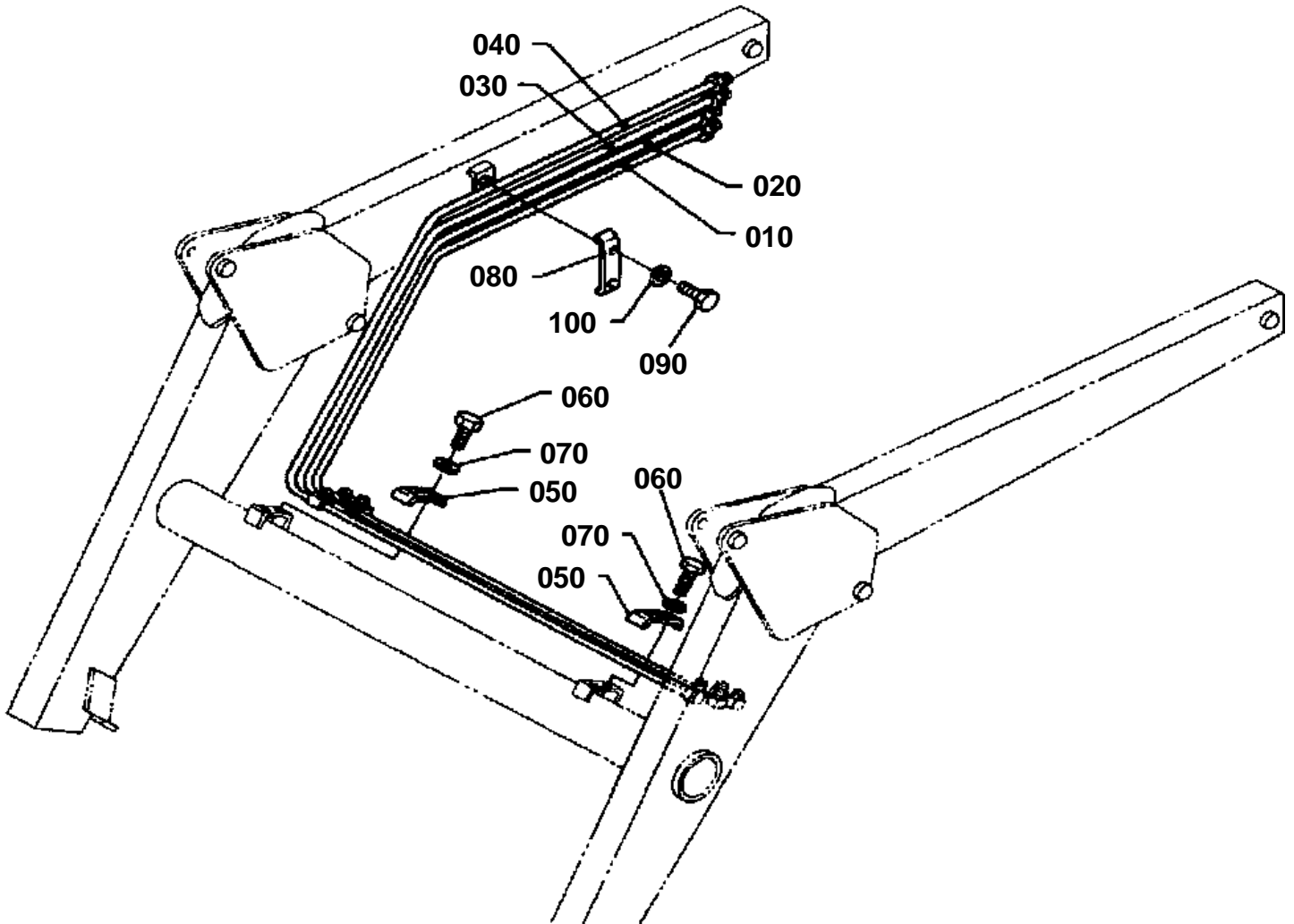


# BUCKET CYLINDER (COMPONENT PARTS)

↔ Interchangeable; ≠ not interchangeable; ← new for old; → old for new

REF.No	Part No.	Description	Q'ty	S.No.	I/C	REMARKS	Weight (kgf)	Weight (lb)
010	75583-64010	CYLINDER 2	2				0	0
020	75583-64100	TUBE 2 COMP	2				0	0
030	75583-64200	ROD 2 COMP	2				0	0
040	75554-63310	HEAD	2				0	0
050	75554-63350	PISTON	2				0	0
060	75545-63360	NUT	2				0	0
070	75554-63400	KIT SEAL	2				0	0
080	75599-81531	FITTING GREASE	2			1/8-27PTF	0	0
090	75540-63490	PLUG	4				0	0





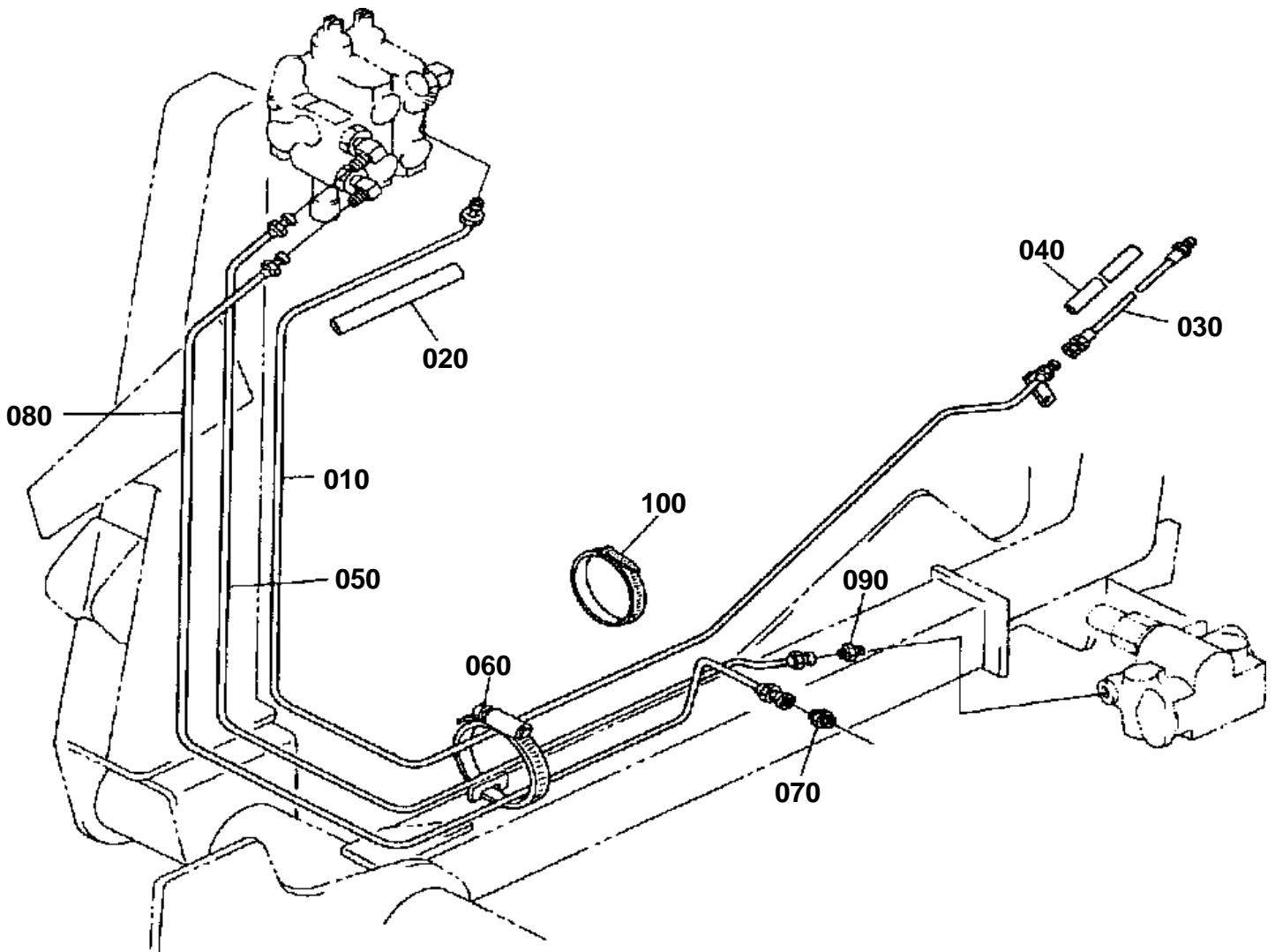


# HYDRAULIC TUBE

↔ Interchangeable; ≠ not interchangeable; ← new for old; → old for new

REF.No	Part No.	Description	Q'ty	S.No.	I/C	REMARKS	Weight (kgf)	Weight (lb)
010	75540-65110	TUBE 1 HYDRAULIC	1				0	0
020	75540-65210	TUBE 2 HYDRAULIC	1				0	0
030	75540-65310	TUBE 3 HYDRAULIC	1				0	0
040	75580-65410	TUBE 4 HYDRAULIC	1				0	0
050	75540-65510	CLAMP 1	2				0	0
060	75599-01220	HEX.BOLT	4			5/16-18UNC*1	0	0
070	75599-33012	WASHER SPRING LOCK	4			5/16	0	0
080	75540-65530	CLAMP 2	1				0	0
090	75599-01220	HEX.BOLT	2			5/16-18UNC*1	0	0
100	75599-33012	WASHER SPRING LOCK	2			5/16	0	0

DELIVERY RETURN HOSE



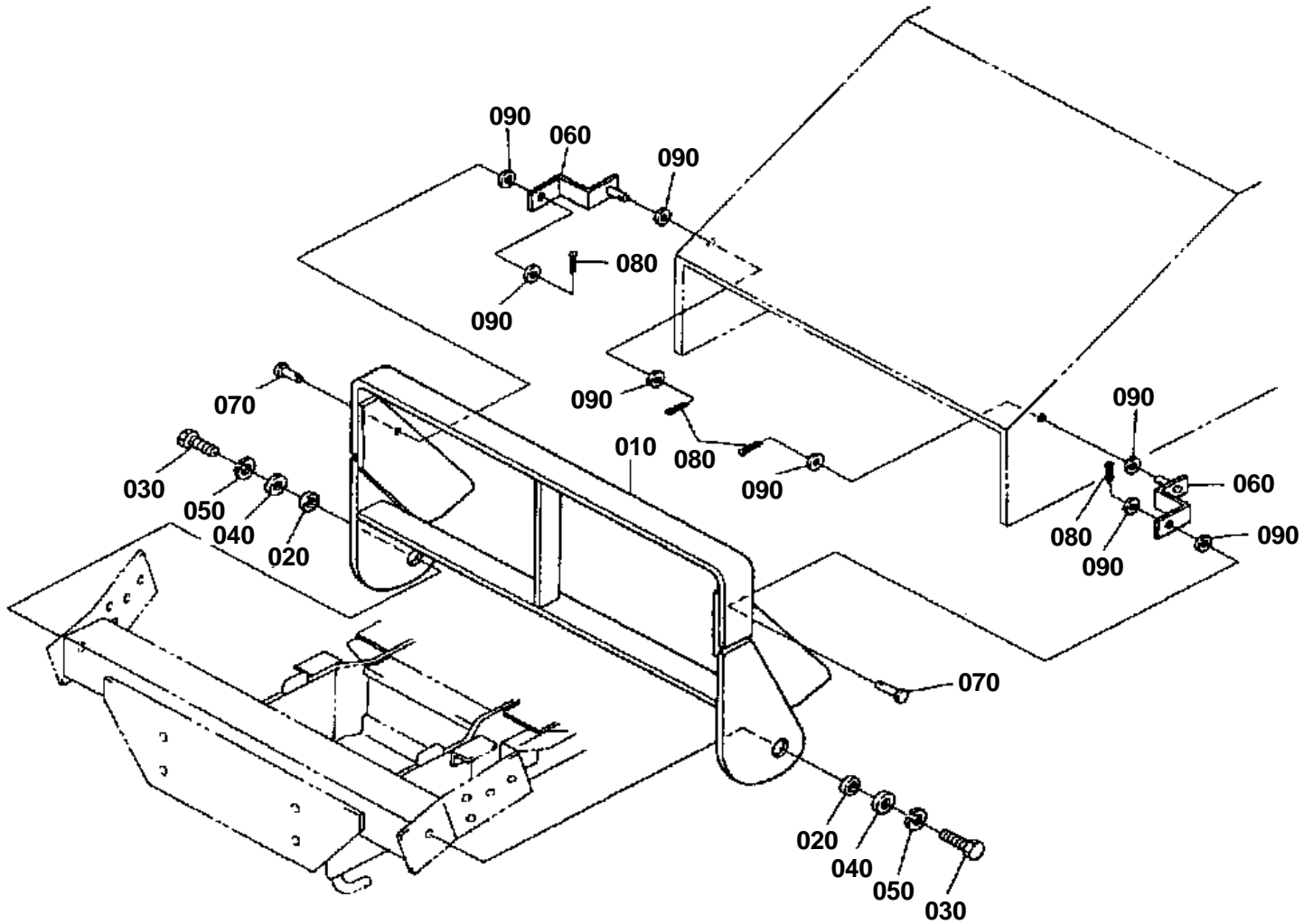


# DELIVERY RETURN HOSE

↔ Interchangeable; ≠ not interchangeable; ← new for old; → old for new

REF.No	Part No.	Description	Q'ty	S.No.	I/C	REMARKS	Weight (kgf)	Weight (lb)
010	75583-66310	TUBE P.B.	1				0	0
020	75596-64120	SLEEVE	1				0	0
030	75583-66320	HOSE 5 HYDRAULIC	1				0	0
040	75583-66330	SLEEVE 1	1				0	0
050	75583-66410	TUBE PUMP	1				0	0
060	75582-66360	BAND	1				0	0
070	75582-66810	ADAPTER 1	1				0	0
080	75583-66510	TUBE TANK	1				0	0
090	75582-66810	ADAPTER 1	1				0	0
100	75590-64650	BAND CODE	3				0	0

# FRONT GUARD





# FRONT GUARD

↔ Interchangeable; ≠ not interchangeable; ← new for old; → old for new

REF.No	Part No.	Description	Q'ty	S.No.	I/C	REMARKS	Weight (kgf)	Weight (lb)
010	75583-57810	GUARD FRONT	1				0	0
020	75560-57830	COLLAR	2				0	0
030	01073-51635	HEX.BOLT	2			M16*1.5*35	0.086	0.1892
040	75599-32017	WASHER PLAIN	2			5/8	0	0
050	75599-33017	WASHER SPRING LOCK	2			5/8	0	0
060	75583-57953	STAY FRONT GUARD	2				0	0
070	75599-51317	PIN CLEVIS	2			3/8*3/4	0	0
080	75599-53182	PIN COTTER	2			9/64*3/4	0	0
090	75599-32013	WASHER PLAIN	8			3/8	0.03	0.066



# ACCESSORIES AND SERVICE PARTS

↔ Interchangeable; ≠ not interchangeable; ← new for old; → old for new

REF.No	Part No.	Description	Q'ty	S.No.	I/C	REMARKS	Weight (kgf)	Weight (lb)
010	75583-69110	OPERATOR'S MANUAL	1				0	0