

Instructions for Parts Books

The heading at the top of the page will be the same for the picture of the parts as it is for the page with the part numbers.

Definition of column headings on part number pages:

REF.No → The number referring to the part on the picture page of the parts book.

Part No. → The number assigned to this part at the time of printing the parts book.

Description → Description of part.

Q'ty → Quantity of part used on that page.

S.No. → Serial number range of the equipment that this part will fit.

>= Your serial number should be greater than or equal to the number shown.

<= Your serial number should be lesser than or equal to the serial number shown.

I/C → Interchangeability of part shown.

↔ The part shown will work for the older and later serial number.

The part shown is not interchangeable with the other serial number.

← new for old

→ old for new

Remarks → Notes about this particular part. Sometimes this may say except [FR] or [CA]

Note about Country Codes:

The parts books we use in the United States of America may also contain information about a part that would be different in another country. It is important that you are aware of the country codes in some instances.

Symbol	Country
A	United States of America
CA	Canada
FR	France
GR	Greece
PO	Portugal
AU	Australia

If the remarks column says for example EXCEPT [FR] this part works in all countries except France. That means it will work here in the USA.

ALL PRODUCT INDEX
TL720(L35)

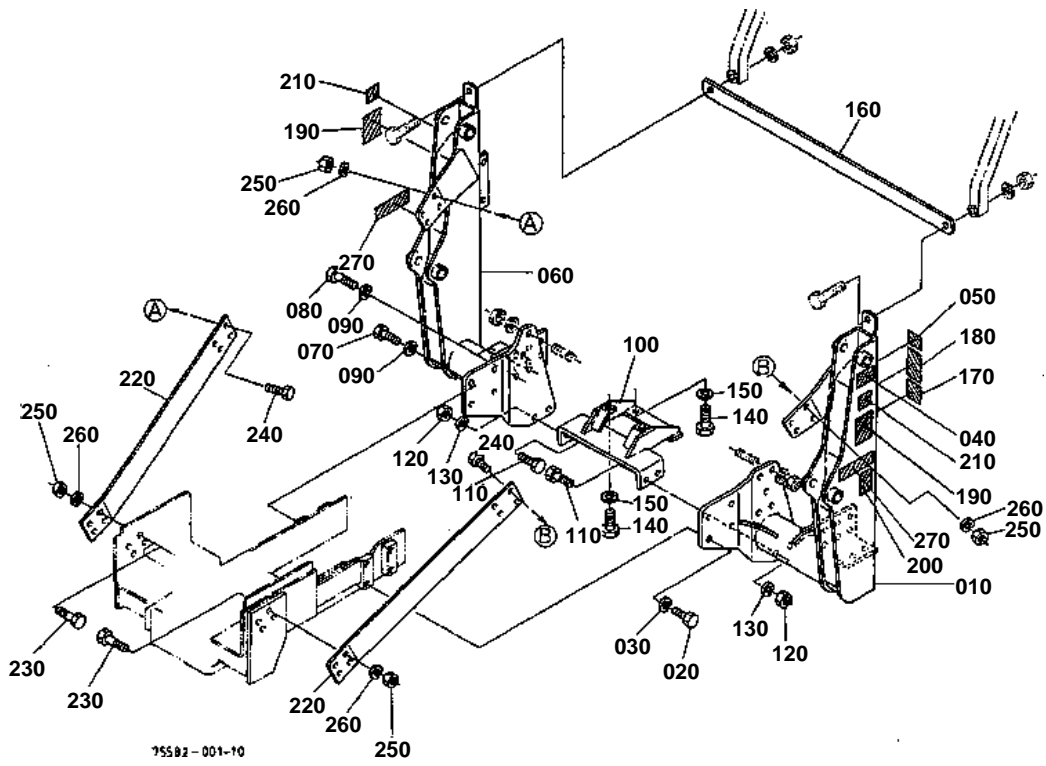


LOADER

ACCESSORIES

Item	Part No.	Description	Book
LOADER	01L01	FRAME	100K0514
	01L02	BOOM	100K0514
	01L03	BUCKET	100K0514
	01L04	CONTROL VALVE	100K0514
	01L05	CONTROL VALVE [COMPONENT PARTS]	100K0514
	01L06	CONTROL LEVER	100K0514
	01L07	LEVER COVER	100K0514
	01L08	LINK	100K0514
	01L09	CYLINDER/HYDRAULIC HOSE	100K0514
	01L1001	BOOM CYLINDER [COMPONENT PARTS]	100K0514
	01L1002	BOOM CYLINDER [COMPONENT PARTS]	100K0514
	01L1101	BUCKET CYLINDER [COMPONENT PARTS]	100K0514
01L1102	BUCKET CYLINDER [COMPONENT PARTS]	100K0514	
ACCESSORIES	01L12	HYDRAULIC TUBE	100K0514
	01L13	ACCESSORIES AND SERVICE PARTS	100K0514

FRAME

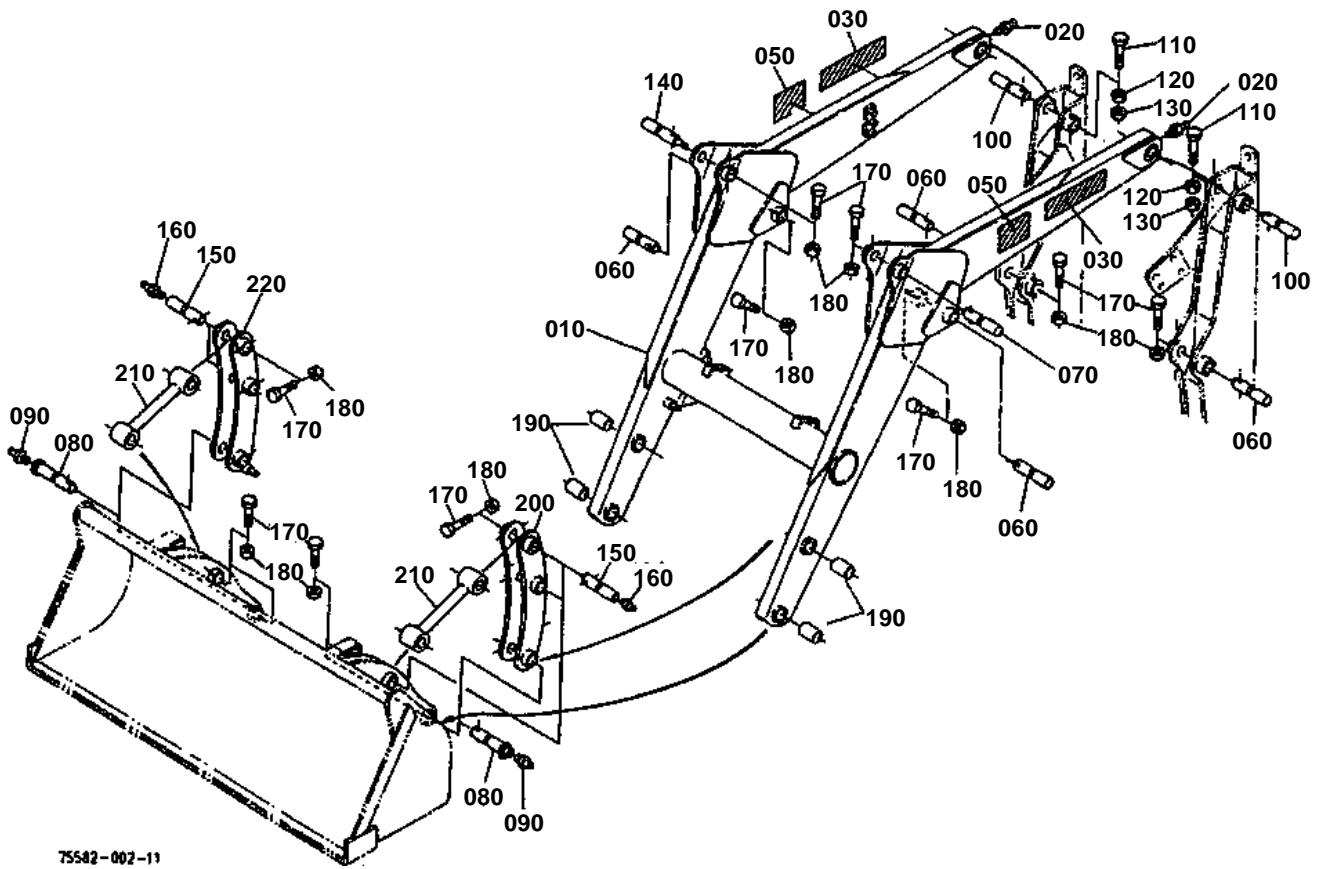


**FRAME**

↔ Interchangeable; ≠ not interchangeable; ← new for old; → old for new

REF.No	Part No.	Description	Q'ty	S.No.	I/C	REMARKS	Weight (kgf)	Weight (lb)
010	75582-55012	FRAME LH	1				0	0
020	01176-51435	HEX.BOLT	8			(M14 X 1.5 X 35)	0.056	0.1232
030	75599-33016	WASHER SPRING LOCK	8			(9/16)	0.08	0.176
040	75582-56350	LABEL MODEL	1				0	0
050	75580-56370	LABEL LUBRICATE	1				0	0
060	75582-55032	FRAME RH	1				0	0
070	01176-51440	HEX.BOLT	4			(M14 X 1.5 X 40)	0.061	0.1342
080	01176-51435	HEX.BOLT	3			(M14 X 1.5 X 35)	0.056	0.1232
090	75599-33016	WASHER SPRING LOCK	7			(9/16)	0.08	0.176
100	75582-55910	CONNECTOR	1				0	0
110	75599-04635	HEX.BOLT	4			(9/16-18UNF X 1 3/4)	0	0
120	75599-31066	HEX.NUT	4			(9/16-18UNF)	0	0
130	75599-33016	WASHER SPRING LOCK	4			(9/16)	0.08	0.176
140	01073-51230	HEX.BOLT	4			(M12 X 1.25 X 30)	0.041	0.0902
150	04512-50120	WASHER SPRING LOCK	4			(M12)	0	0
160	75582-56710	CONNECT.SIDE FRAME	1				0	0
170	75546-56410	LABEL DANGER	1				0.001	0.0022
180	75546-56430	LABEL DANGER	1				0.001	0.0022
190	75546-56440	LABEL WARNING	2				0	0
200	75546-56450	LABEL CAUTION	1				0.001	0.0022
210	75546-56470	LABEL CAUTION	2				0	0
220	75582-57410	BRACE	2				0	0
230	75599-04635	HEX.BOLT	8			(9/16-18UNF X 1 3/4)	0	0
240	75599-04630	HEX.BOLT	8			(9/16-18UNF X 1 1/2)	0	0
250	75599-31066	HEX.NUT	16			(9/16-18UNF)	0	0
260	75599-33016	WASHER SPRING LOCK	16			(9/16)	0.08	0.176
270	75582-58462	LABEL TL720	2				0	0

BOOM



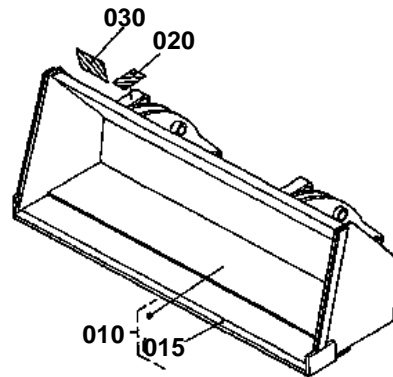
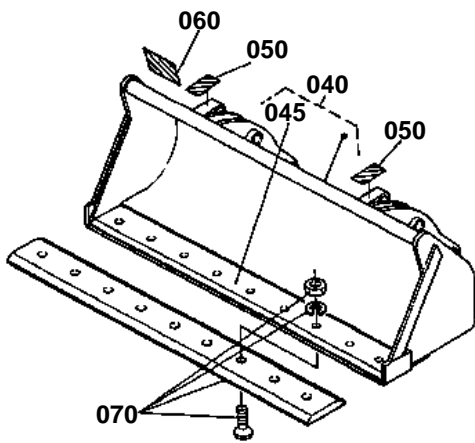
75582-002-11

**BOOM**

↔ Interchangeable; ≠ not interchangeable; ← new for old; → old for new

REF.No	Part No.	Description	Q'ty	S.No.	I/C	REMARKS	Weight (kgf)	Weight (lb)
010	75582-58012	BOOM	1				0	0
020	75599-81520	FITTING GREASE	2			(1/4-28T.T.)	0	0
030	75580-58452	LABEL KUBOTA	2				0	0
040	99999-99999	BLANK	0				0	0
050	32751-49430	LABEL L35	2				0.007	0.0154
060	75582-58512	PIN	4				0	0
070	75582-58612	PIN	1				0	0
080	75582-58712	PIN	4				0	0
090	75599-81530	FITTING GREASE	4			(1/8-27PTF)	0	0
100	75582-58750	PIN	2				0	0
110	75599-04350	HEX.BOLT	2			(3/8-24UNF X 2 1/2)	0	0
120	75599-31023	HEX.NUT	2			(3/8-24UNF)	0.006	0.0132
130	75599-31043	HEX.JAM NUT	2			(3/8-24UNF)	0	0
140	75582-58772	PIN	1				0	0
150	75582-58782	PIN	6				0	0
160	75599-81530	FITTING GREASE	6			(1/8-27PTF)	0	0
170	75599-03250	HEX.BOLT	16			(5/16-18UNC X 2 1/2)	0	0
180	75599-31912	NUT LOCKING	16			(5/16-18UNC)	0	0
190	75582-58792	BUSHING	4				0	0
200	75582-58802	LINK LH	1				0	0
210	75582-58820	LINK	2				0	0
220	75582-58902	LINK RH	1				0	0

BUCKET



75582-003-10

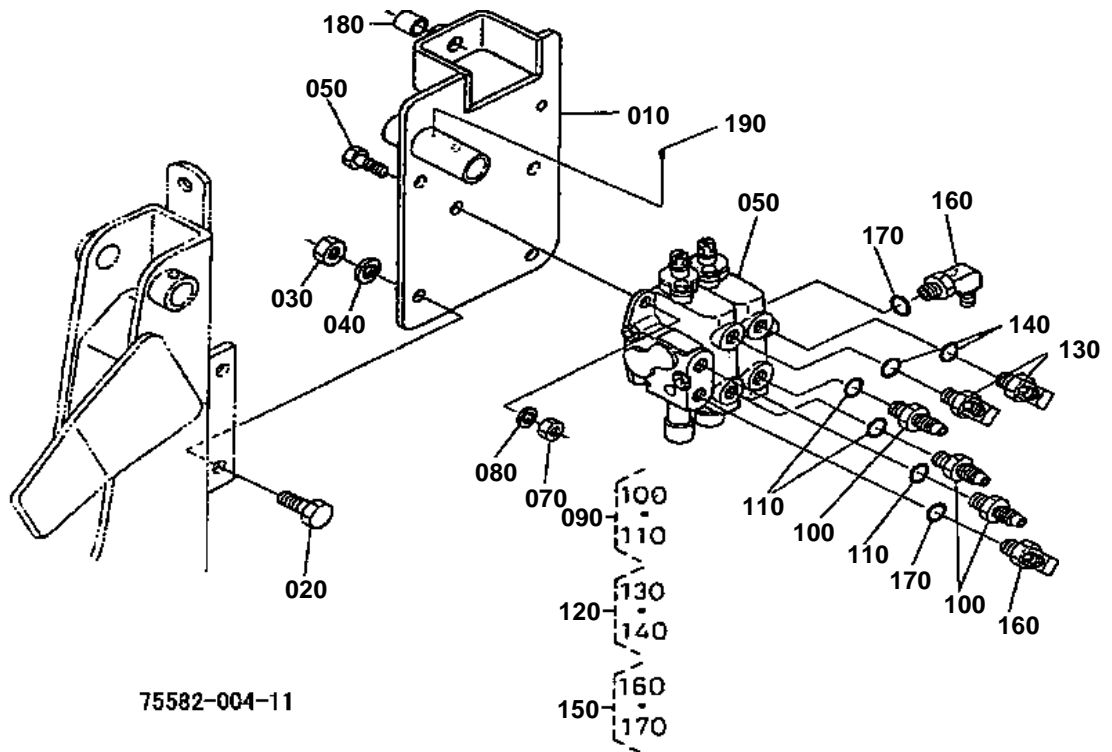


BUCKET

↔ Interchangeable; ≠ not interchangeable; ← new for old; → old for new

REF.No	Part No.	Description	Q'ty	S.No.	I/C	REMARKS	Weight (kgf)	Weight (lb)
010	75582-59010	BUCKET	1				0	0
015	75582-59320	EDGE CUTTING	1				0	0
020	75540-59450	LABEL LEVELER	1				0	0
030	75582-59510	LABEL MODEL	1				0	0
040	75582-79013	BUCKET 66R	1				0	0
045	75582-79320	EDGE CUTTING	1				0	0
050	75540-59450	LABEL LEVELER	2				0	0
060	75582-79510	LABEL MODEL	1				0	0
070	75582-79800	KIT BLADE BOLT ON	1				0	0

CONTROL VALVE

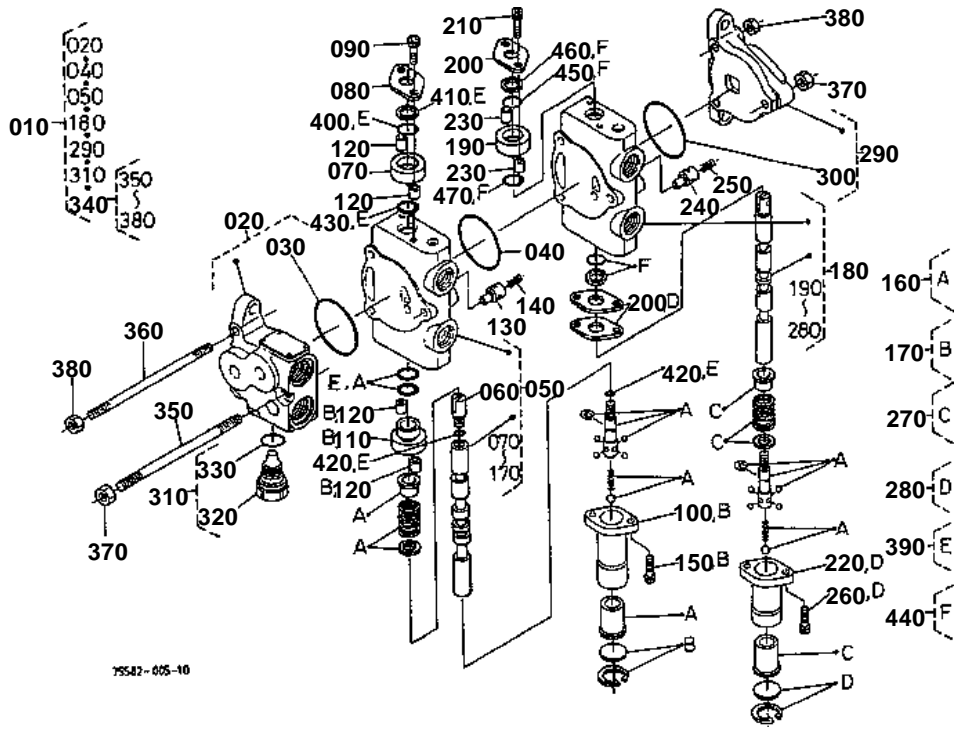


**CONTROL VALVE**

↔ Interchangeable; ≠ not interchangeable; ← new for old; → old for new

REF.No	Part No.	Description	Q'ty	S.No.	I/C	REMARKS	Weight (kgf)	Weight (lb)
010	75582-61112	STAY VALVE	1	<=24075			0	0
010	75582-61110	STAY VALVE	1	>=24076	←		0	0
020	75599-03525	HEX.BOLT	2			(1/2-13UNC X 1 1/4)	0	0
030	75599-31015	HEX.NUT	2			(1/2-13UNC)	0	0
040	75599-33015	WASHER SPRING LOCK	2			(1/2)	0	0
050	75553-71010	VALVE CONTROL	1				0	0
060	75599-03325	HEX.BOLT	3			(3/8-16UNC X 1 1/4)	0	0
070	75599-31013	HEX.NUT	3			(3/8-16UNC)	0	0
080	75599-33013	WASHER SPRING LOCK	3			(3/8)	0.01	0.022
090	75580-61800	ASSY ADAPTER	3				0	0
100	75580-61810	ADAPTER	3				0	0
110	75540-61820	O-RING	3				0	0
120	75540-61900	ASSY ELBOW ADJUSTABL	2				0	0
130	75540-61910	ELBOW ADJUSTABLE	2				0	0
140	75540-61820	O-RING	2				0	0
150	75560-61950	ASSY ELBOW 2 ADJUSTA	2				0	0
160	75560-61960	ELBOW ADJUSTABLE	2				0	0
170	75540-61820	O-RING	2				0	0
180	75580-62140	BUSHING	1				0	0
190	75599-81520	FITTING GREASE	1	>=24076			0	0

CONTROL VALVE [COMPONENT PARTS]



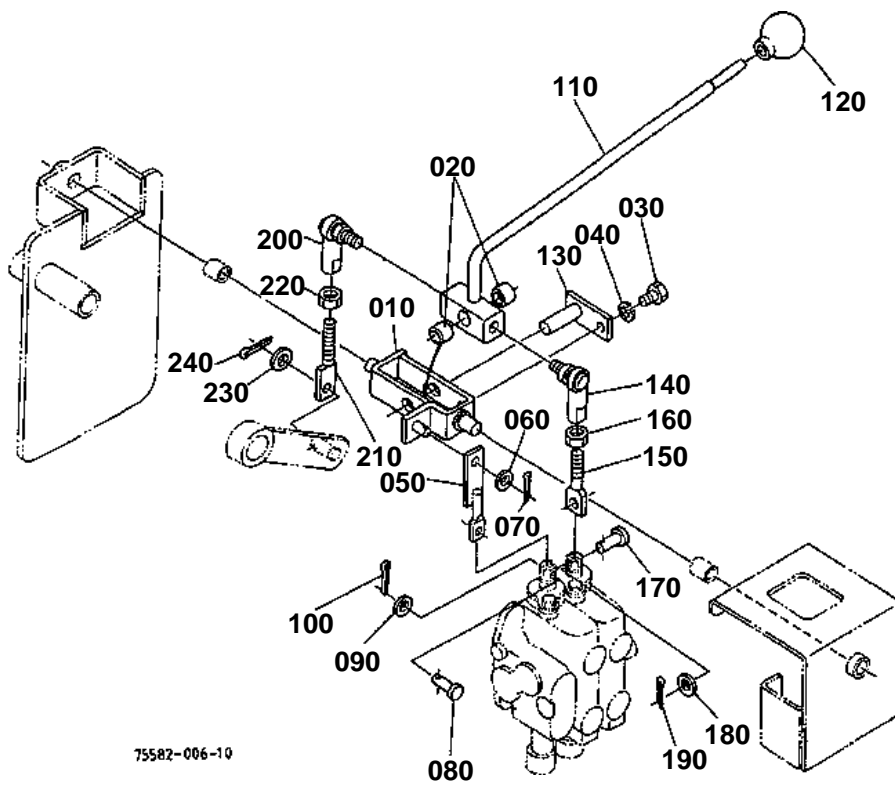


CONTROL VALVE [COMPONENT PARTS]

↔ Interchangeable; ≠ not interchangeable; ← new for old; → old for new

REF.No	Part No.	Description	Q'ty	S.No.	I/C	REMARKS	Weight (kgf)	Weight (lb)
010	75553-71010	VALVE CONTROL	1				0	0
020	75540-61202	ASSY INLET SECTION	1				0	0
030	75540-61250	O-RING	1				0	0
040	75540-61250	O-RING	1				0	0
050	75540-61300	ASSY SPOOL SECTION	1				0	0
060	75540-61310	CLEVIS END	1			(52233)	0	0
070	75540-61320	SPACER-CAP SPOOL	1			(53859)	0.05	0.11
080	75540-61330	PLATE-SEAL	1			(5012)	0.012	0.0264
090	75540-61340	CAP SCREW-SOC.HD.	2			(5155)	0.001	0.0022
100	75540-61350	CAP-SPOOL	1			(5034)	0.07	0.154
110	75540-61360	SPACER-CAP SPOOL	1			(53799)	0.05	0.11
120	75540-61370	SPACER	4			(53800)	0.014	0.0308
130	75540-61380	POPPET-C.V.	1			(5011)	0.002	0.0044
140	75540-61390	SPRING	1			(5064)	0.001	0.0022
150	75540-61410	CAP SCREW-SOC.HD.	2			(3424)	0.01	0.022
160	75540-61420	KIT DETENT	1			(54641)	0.1	0.22
170	75540-61430	KIT CAP SPOOL SECT.	1			(54642)	0.2	0.44
180	75553-71400	ASSY SPOOL SECTION	1				0	0
190	75540-61320	SPACER-CAP SPOOL	1			(53859)	0.05	0.11
200	75540-61330	PLATE-SEAL	3			(5012)	0.012	0.0264
210	75540-61340	CAP SCREW-SOC.HD.	2			(5155)	0.001	0.0022
220	75540-61350	CAP SPOOL	1			(5034)	0.07	0.154
230	75540-61370	SPACER	2			(53800)	0.014	0.0308
240	75540-61380	POPPET-C.V.	1			(5011)	0.002	0.0044
250	75540-61390	SPRING	1			(5064)	0.001	0.0022
260	75553-71450	CAP SCREW-SOC.HD.	2			(3385)	0	0
270	75553-71460	KIT INTERNAL	1			(54670)	0	0
280	75553-71470	KIT CAP SPOOL SECT.	1				0	0
290	75540-61500	ASSY OUTLET SECTION	1				0	0
300	75540-61250	O-RING	1				0	0
310	75540-61602	ASSY PLUG	1				0	0
320	75540-61610	PLUG-SAE	1			(3390)	0	0
330	75540-61620	O-RING	1				0	0
340	75540-61700	KIT TIE ROD	1				0	0
350	75540-61710	TIE ROD	1				0	0
360	75540-61720	TIE ROD	2				0	0
370	75540-61730	NUT-SPECIAL	2				0	0
380	75540-61740	NUT-SPECIAL	4				0	0
390	75540-99700	KIT SEAL SPOOL SEC.	1				0	0
400	75540-99710	O-RING	2			(130)	0	0
410	75540-99720	WIPER	1			(5029)	0	0
420	75540-99730	O-RING	2			(4623)	0	0
430	75540-99740	O-RING	2			(1490)	0	0
440	75553-99800	KIT SEAL SPOOL SEC.	1				0	0
450	75553-99810	O-RING	2			(60-113)	0	0
460	75540-99720	WIPER	2			(5029)	0	0
470	75540-99740	O-RING	1				0	0

CONTROL LEVER



75582-006-10

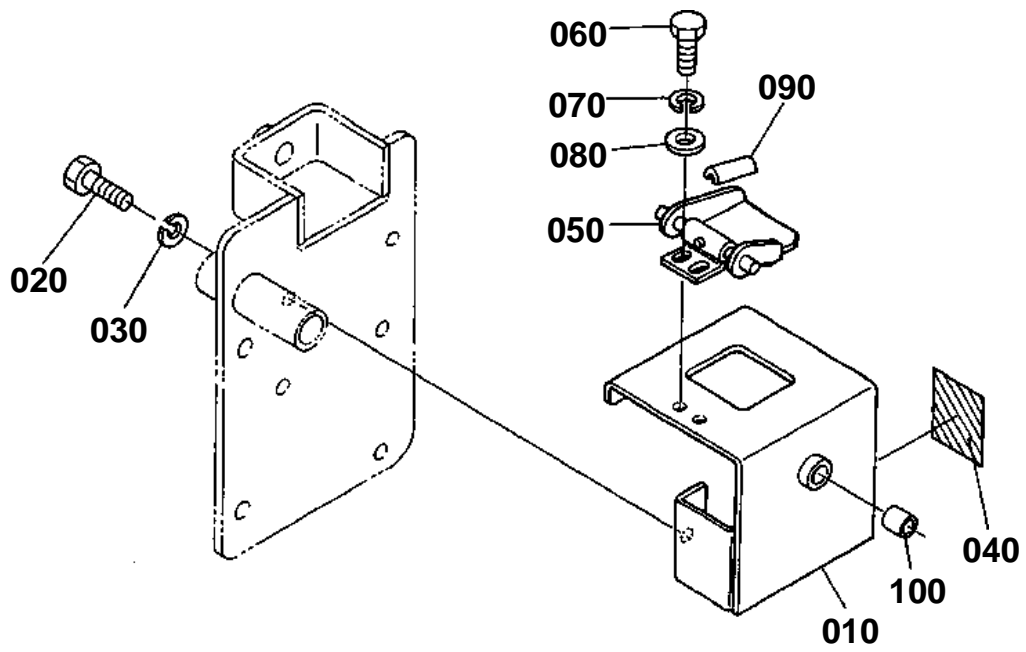


CONTROL LEVER

↔ Interchangeable; ≠ not interchangeable; ← new for old; → old for new

REF.No	Part No.	Description	Q'ty	S.No.	I/C	REMARKS	Weight (kgf)	Weight (lb)
010	75582-62110	LEVER	1				0	0
020	75580-62140	BUSHING	2				0	0
030	75599-02210	HEX.BOLT	1			(5/16-24UNF X 1/2)	0	0
040	75599-33012	WASHER SPRING LOCK	1			(5/16)	0.002	0.0044
050	75582-62160	ROD	1				0	0
060	75599-32012	WASHER PLAIN	1			(5/16)	0.002	0.0044
070	75599-53152	PIN COTTER	1			(3/32 X 3/4)	0	0
080	75540-62190	PIN	1				0	0
090	75599-32009	WASHER PLAIN	1			(13/64)	0	0
100	75599-53110	PIN COTTER	1			(1/32 X 1/2)	0	0
110	75582-62212	LEVER CONTROL	1				0	0
120	31355-82520	GRIP LEVER	1				0.05	0.11
130	75582-62120	PIN	1				0	0
140	75532-62260	JOINT ROD END	1				0	0
150	75582-62280	ROD	1				0	0
160	75599-31022	HEX.NUT	1			(5/16-24UNF)	0	0
170	75540-62190	PIN	1				0	0
180	75599-32009	WASHER PLAIN	1			(13/64)	0	0
190	75599-53110	PIN COTTER	1			(1/32 X 1/2)	0	0
200	75532-62260	JOINT ROD END	1				0	0
210	75582-62510	ROD	1				0	0
220	75599-31022	HEX.NUT	1			(5/16-24UNF)	0	0
230	75599-32012	WASHER PLAIN	1			(5/16)	0.002	0.0044
240	75599-53152	PIN COTTER	1			(3/32 X 3/4)	0	0

LEVER COVER



75582-007-10

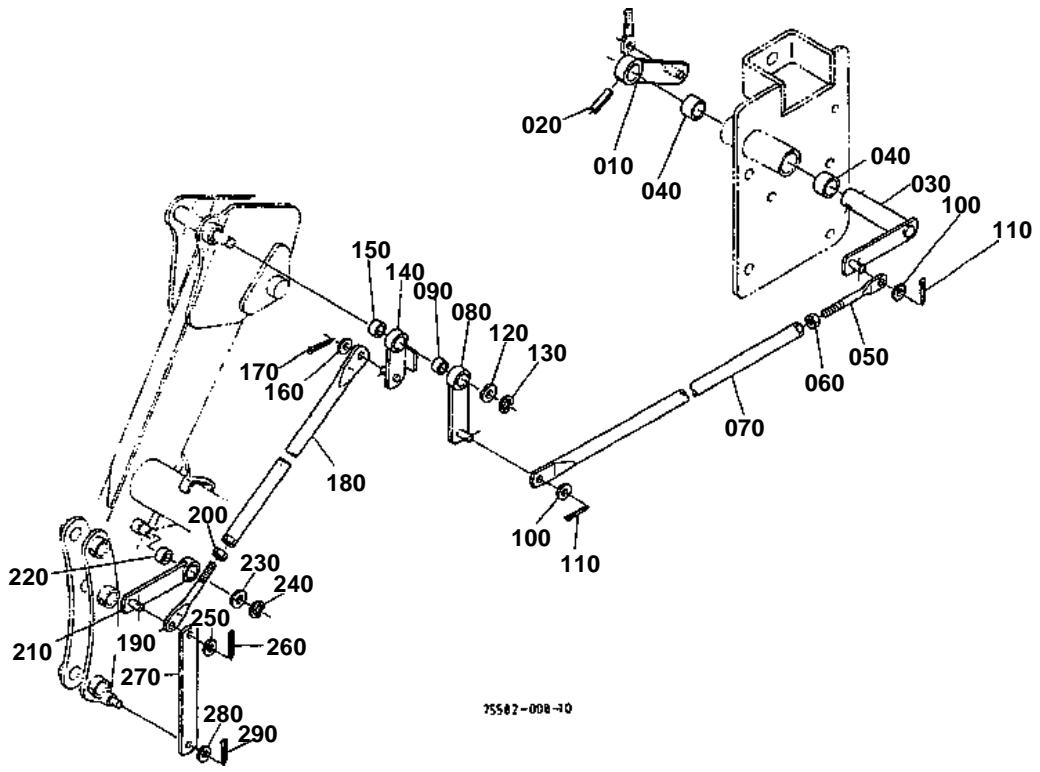


LEVER COVER

↔ Interchangeable; ≠ not interchangeable; ← new for old; → old for new

REF.No	Part No.	Description	Q'ty	S.No.	I/C	REMARKS	Weight (kgf)	Weight (lb)
010	75582-62310	COVER	1				0	0
020	75599-01215	HEX.BOLT	2			(5/16-18UNC X 3/4)	0	0
030	75599-33012	WASHER SPRING LOCK	2			(5/16)	0.002	0.0044
040	75540-62362	LABEL CONTROL	1				0	0
050	75580-62400	ASSY LIMITER	1				0	0
060	75599-01212	HEX.BOLT	2			(5/16-18UNC X 5/8)	0	0
070	75599-33012	WASHER SPRING LOCK	2			(5/16)	0.002	0.0044
080	75599-32012	WASHER PLAIN	2			(5/16)	0.002	0.0044
090	75540-62450	CUSHION RUBBER	1				0	0
100	75580-62140	BUSHING	1				0	0

LINK



75587-008-10

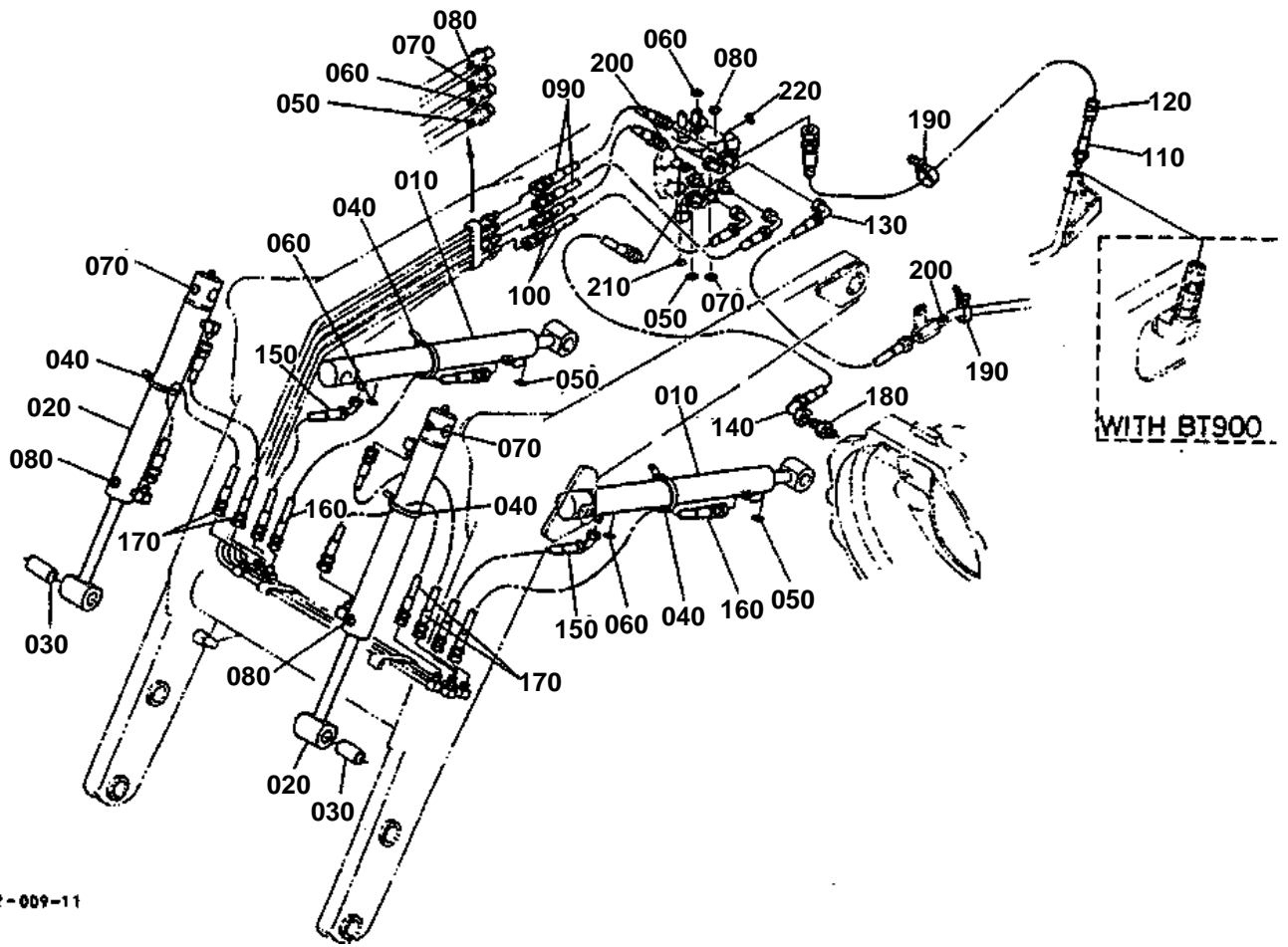


LINK

↔ Interchangeable; ≠ not interchangeable; ← new for old; → old for new

REF.No	Part No.	Description	Q'ty	S.No.	I/C	REMARKS	Weight (kgf)	Weight (lb)
010	75582-62572	LINK	1				0	0
020	75599-52625	PIN SPRING	1			(1/4 X 1 3/4)	0	0
030	75582-62613	LINK	1				0	0
040	75582-62620	BUSHING	2				0	0
050	75580-62510	ROD	1				0	0
060	75599-31043	HEX.JAM NUT	1			(3/8-24UNF)	0	0
070	75582-62640	ROD 1 CONNECTING	1				0	0
080	75582-62650	LINK	1				0	0
090	75580-62140	BUSHING	1				0	0
100	75599-32012	WASHER PLAIN	2			(5/16)	0.002	0.0044
110	75599-53152	PIN COTTER	2			(3/32 X 3/4)	0	0
120	75580-62150	COLLAR	1			(9/16)	0	0
130	75599-41520	CIR-CRIP EXTERNAL	1			(9/16)	0	0
140	75582-62670	LINK	1				0	0
150	75580-62140	BUSHING	1				0	0
160	75599-32012	WASHER PLAIN	1			(5/16)	0.002	0.0044
170	75599-53152	PIN COTTER	1			(3/32 X 3/4)	0	0
180	75582-62690	ROD 1 CONNECTING	1				0	0
190	75580-62510	ROD	1				0	0
200	75599-31043	HEX.JAM NUT	1			(3/8-24UNF)	0	0
210	75582-62710	LINK	1				0	0
220	75580-62140	BUSHING	1				0	0
230	75580-62150	COLLAR	1			(9/16)	0	0
240	75599-41520	CIR-CRIP EXTERNAL	1			(9/16)	0	0
250	75599-32012	WASHER PLAIN	1			(5/16)	0.002	0.0044
260	75599-53152	PIN COTTER	1			(3/32 X 3/4)	0	0
270	75582-62720	LINK	1				0	0
280	75599-32012	WASHER PLAIN	1			(5/16)	0.002	0.0044
290	75599-53152	PIN COTTER	1			(3/32 X 3/4)	0	0

CYLINDER/HYDRAULIC HOSE



15582-009-11

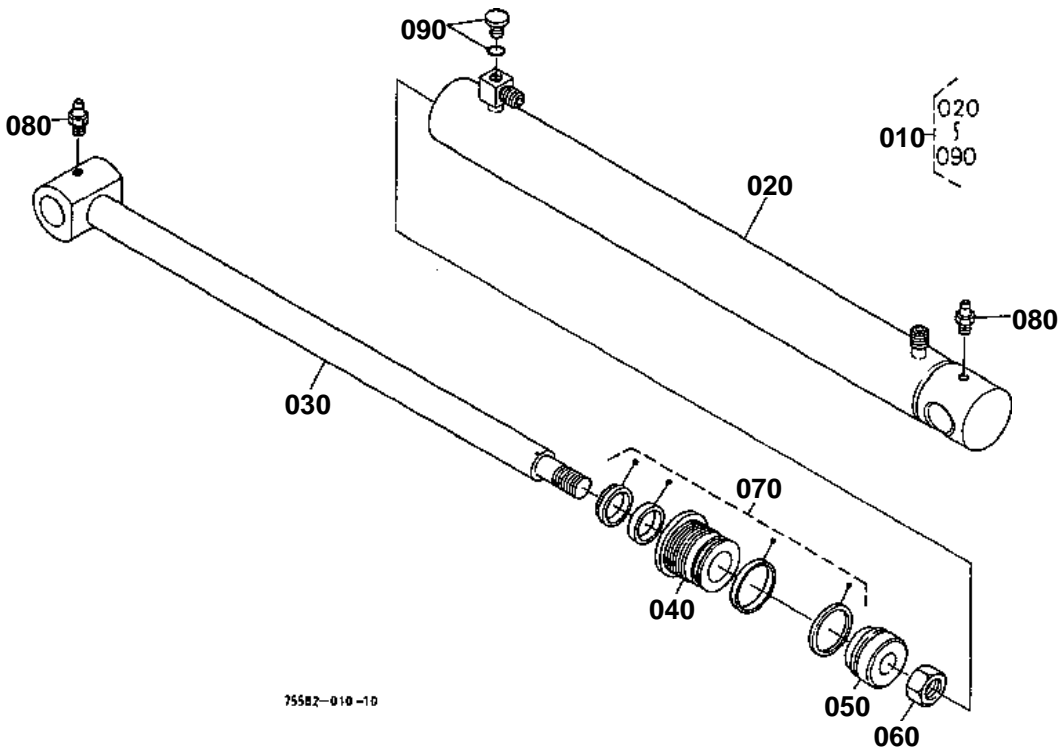


CYLINDER/HYDRAULIC HOSE

↔ Interchangeable; ≠ not interchangeable; ← new for old; → old for new

REF.No	Part No.	Description	Q'ty	S.No.	I/C	REMARKS	Weight (kgf)	Weight (lb)
010	75582-63010	CYLINDER	2	<=24075			0	0
010	75582-63110	CYLINDER	2	>=24076	←		0	0
020	75582-64010	CYLINDER	2	<=24075			0	0
020	75582-64110	CYLINDER	2	>=24076	←		0	0
030	75582-58792	BUSHING	2				0	0
040	75590-64650	BAND CODE	4				0	0
050	75540-64950	MARK WHITE	4				0	0
060	75540-64960	MARK YELLOW	4				0	0
070	75540-64970	MARK BLUE	4				0	0
080	75540-64980	MARK RED	4				0	0
090	75582-66110	HOSE HYDRAULIC	2				0	0
100	75582-66120	HOSE HYDRAULIC	2				0	0
110	75582-66310	HOSE 5 HYDRAULIC	1				0	0
120	75582-66350	GUARD HOSE	1				0	0
130	75582-66410	HOSE HYDRAULIC	1				0	0
140	75582-66510	HOSE HYDRAULIC	1				0	0
150	75582-66610	HOSE HYDRAULIC	2				0	0
160	75582-66620	HOSE HYDRAULIC	2				0	0
170	75582-66630	HOSE HYDRAULIC	4				0	0
180	75582-66810	ADAPTER	1				0	0
190	75590-64650	BAND CODE	4				0	0
200	75580-68950	MARK ORANGE	2				0	0
210	75580-68960	MARK GRAY	2				0	0
220	75580-68970	MARK GREEN	2				0	0

BOOM CYLINDER [COMPONENT PARTS]



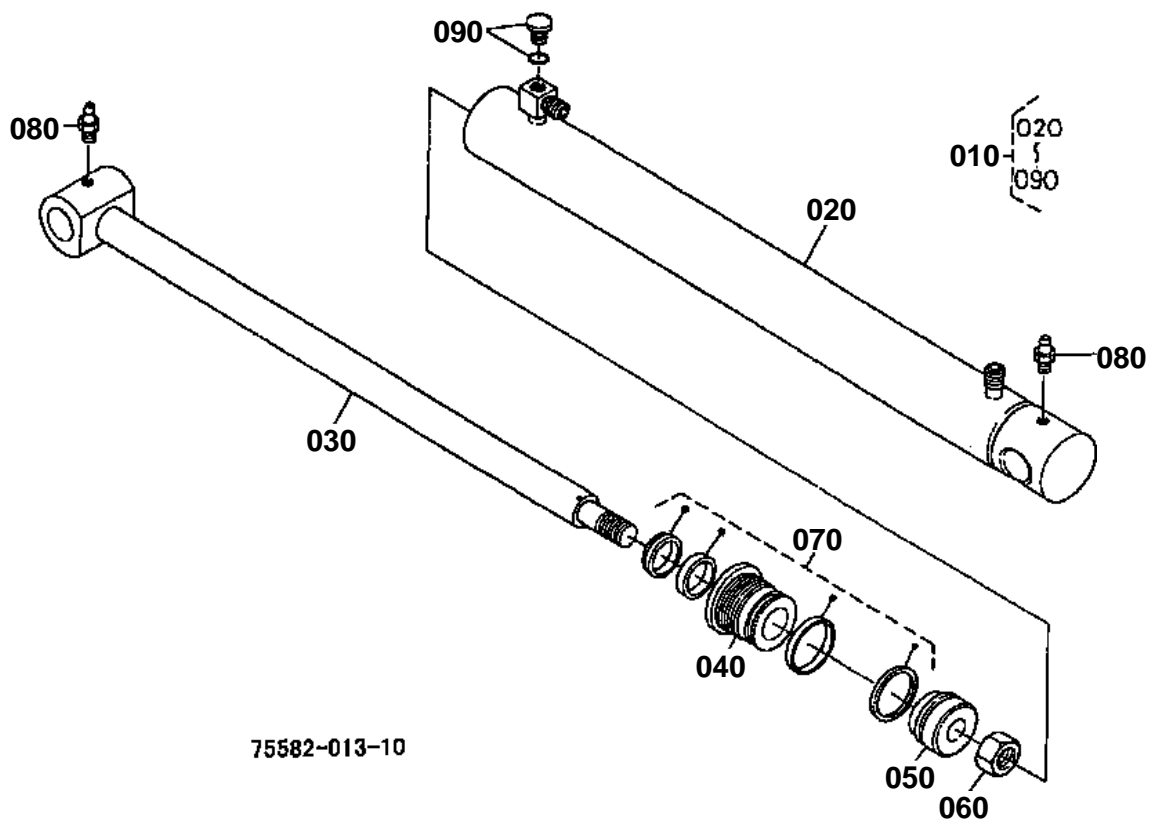


BOOM CYLINDER [COMPONENT PARTS]
[S.No.<=24075]

↔ Interchangeable; ≠ not interchangeable; ← new for old; → old for new

REF.No	Part No.	Description	Q'ty	S.No.	I/C	REMARKS	Weight (kgf)	Weight (lb)
010	75582-63010	CYLINDER	2				0	0
020	75582-63100	TUBE COMP.	2				0	0
030	75582-63200	ROD COMP.	2				0	0
040	75554-63310	HEAD	2				0	0
050	75554-63350	PISTON	2				0	0
060	75545-63360	NUT	2				0	0
070	75554-63400	KIT SEAL	2				0	0
080	75599-81530	FITTING GREASE	4			(1/8-27PTF)	0	0
090	75540-63490	PLUG	2				0	0

BOOM CYLINDER [COMPONENT PARTS]



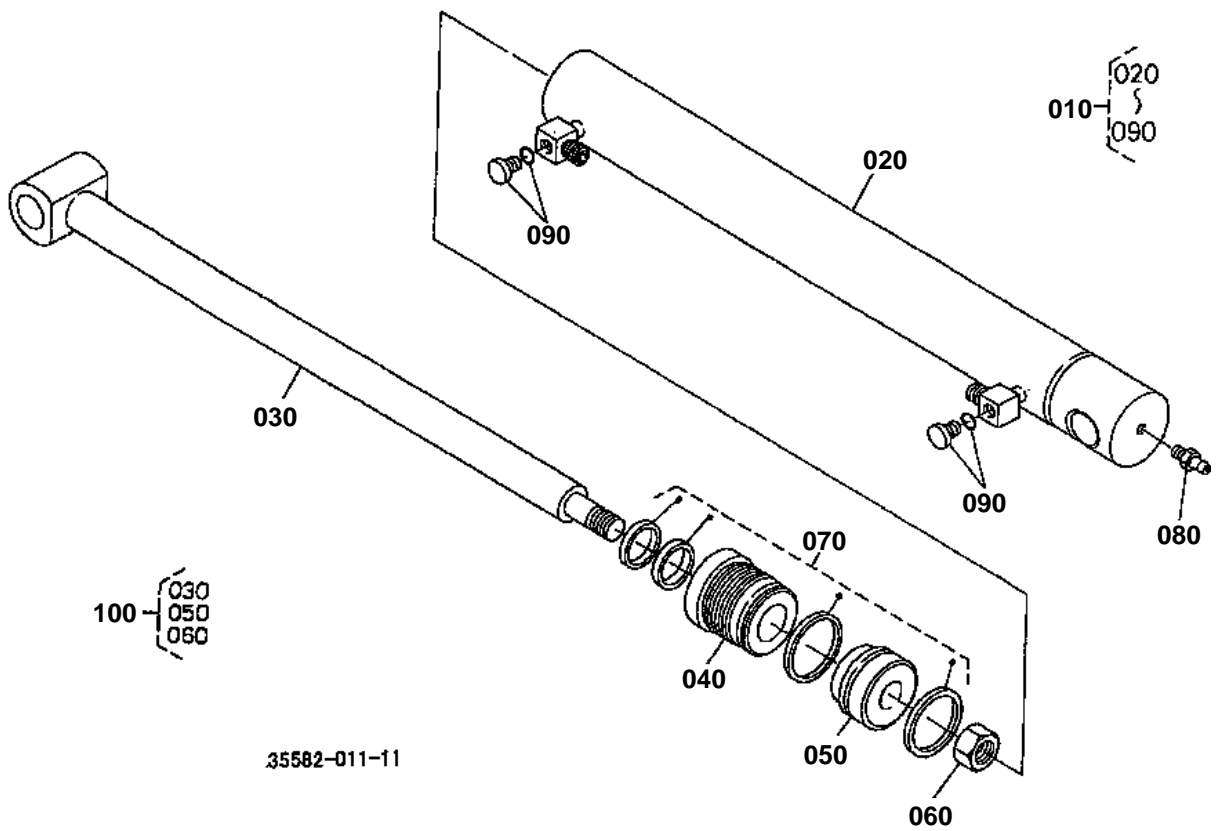


BOOM CYLINDER [COMPONENT PARTS]
[S.No.>=24076]

↔ Interchangeable; ≠ not interchangeable; ← new for old; → old for new

REF.No	Part No.	Description	Q'ty	S.No.	I/C	REMARKS	Weight (kgf)	Weight (lb)
010	75582-63110	CYLINDER	2				0	0
020	75582-63300	TUBE COMP.	2				0	0
030	75582-63500	ROD COMP.	2				0	0
040	75554-64410	HEAD	2				0	0
050	75554-64430	PISTON	2				0	0
060	75545-64460	NUT	2				0	0
070	75554-64600	KIT SEAL	2				0	0
080	75599-81530	FITTING GREASE	4				0	0
090	75540-63490	PLUG	2				0	0

BUCKET CYLINDER [COMPONENT PARTS]



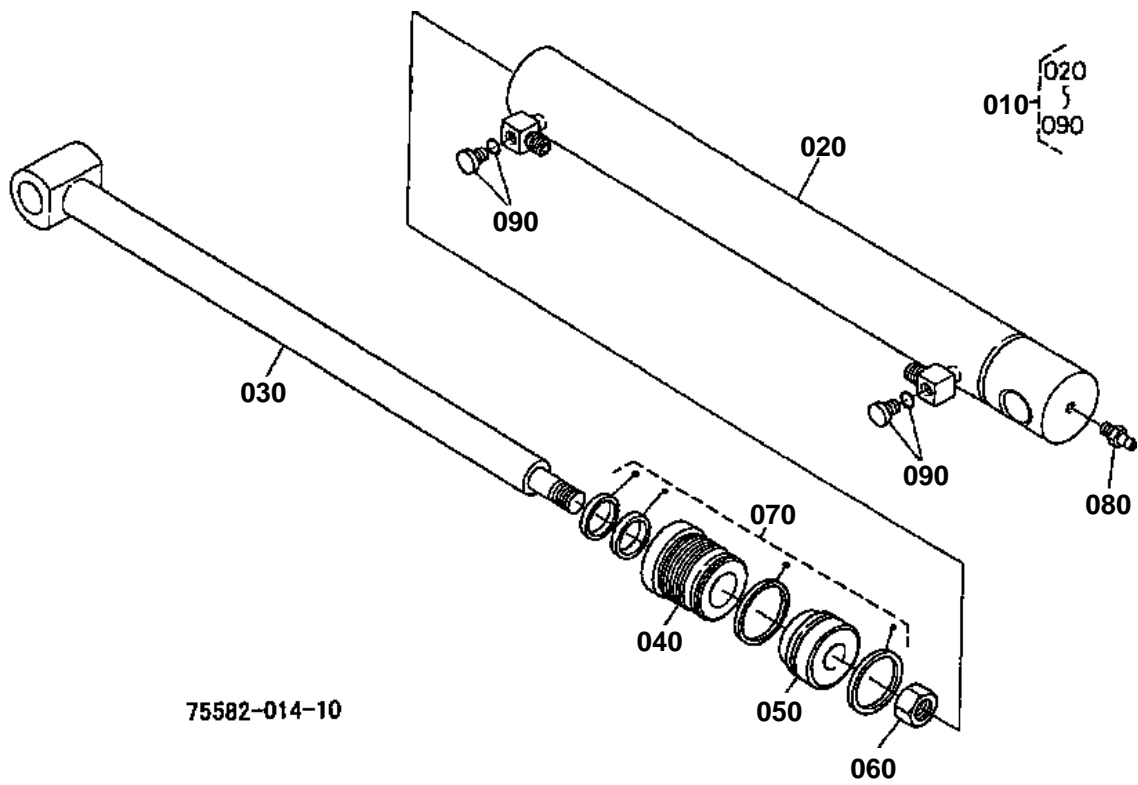
**BUCKET CYLINDER [COMPONENT PARTS]**

[S.No.<=24075]

↔ Interchangeable; ≠ not interchangeable; ← new for old; → old for new

REF.No	Part No.	Description	Q'ty	S.No.	I/C	REMARKS	Weight (kgf)	Weight (lb)
010	75582-64010	CYLINDER	2	<=21027			0	0
010	75582-64012	CYLINDER	2	>=21028	↔		0	0
020	75582-64100	TUBE COMP.	2	<=21027			0	0
020	75582-64102	TUBE COMP.	2	>=21028	↔		0	0
030	75582-64200	ROD COMP.	2	<=21027			0	0
030	75582-64202	ROD COMP.	2	>=21028	≠		0	0
040	75590-13110	HEAD	2				0	0
050	75582-64350	PISTON	2	<=21027			0	0
050	75582-64353	PISTON	2	>=21028	≠		0	0
060	75545-63360	NUT	2	<=21027			0	0
060	75563-63360	NUT	2	>=21028	≠		0	0
070	75582-64400	KIT SEAL	2				0	0
080	75599-81530	FITTING GREASE	2			(1/8-27PTF)	0	0
090	75540-63490	PLUG	4				0	0
100	75582-99010	KIT ROD	2				0	0

BUCKET CYLINDER [COMPONENT PARTS]



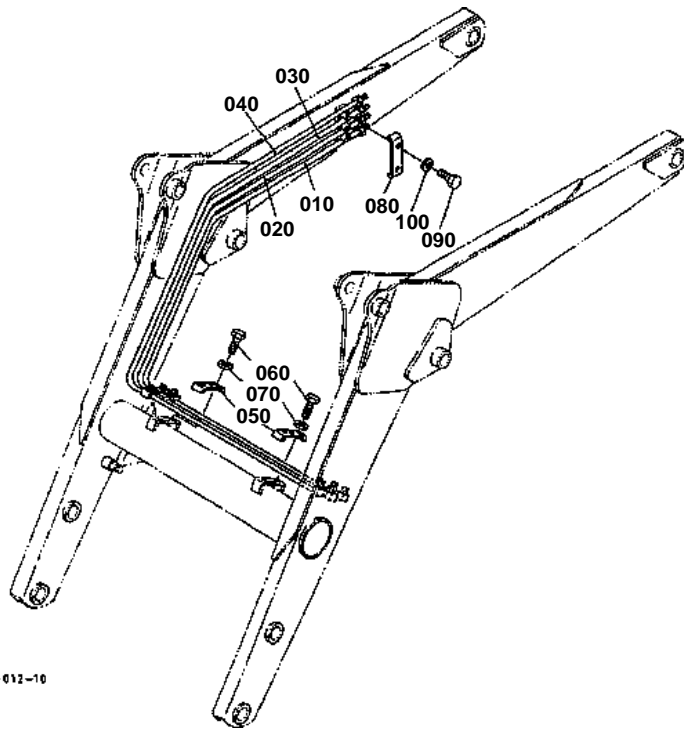
**BUCKET CYLINDER [COMPONENT PARTS]**

[S.No.>=24076]

↔ Interchangeable; ≠ not interchangeable; ← new for old; → old for new

REF.No	Part No.	Description	Q'ty	S.No.	I/C	REMARKS	Weight (kgf)	Weight (lb)
010	75582-64110	CYLINDER	2				0	0
020	75582-64300	TUBE COMP.	2				0	0
030	75582-64500	ROD COMP.	2				0	0
040	75582-13110	HEAD	2				0	0
050	75582-64450	PISTON	2				0	0
060	75582-63360	NUT	2				0	0
070	75582-64600	KIT SEAL	2				0	0
080	75599-81530	FITTING GREASE	2				0	0
090	75540-63490	PLUG	4				0	0

HYDRAULIC TUBE



75582-012-10



HYDRAULIC TUBE

↔ Interchangeable; ≠ not interchangeable; ← new for old; → old for new

REF.No	Part No.	Description	Q'ty	S.No.	I/C	REMARKS	Weight (kgf)	Weight (lb)
010	75550-65110	TUBE HYDRAULIC	1				0	0
020	75550-65210	TUBE HYDRAULIC	1				0	0
030	75582-65310	TUBE HYDRAULIC	1				0	0
040	75582-65410	TUBE HYDRAULIC	1				0	0
050	75540-65510	CLAMP	2				0	0
060	75599-01220	HEX.BOLT	4			(5/16-18UNC X 1)	0	0
070	75599-33012	WASHER SPRING LOCK	4			(5/16)	0.002	0.0044
080	75540-65530	CLAMP	1				0	0
090	75599-01220	HEX.BOLT	2			(5/16-18UNC X 1)	0	0
100	75599-33012	WASHER SPRING LOCK	2			(5/16)	0.002	0.0044