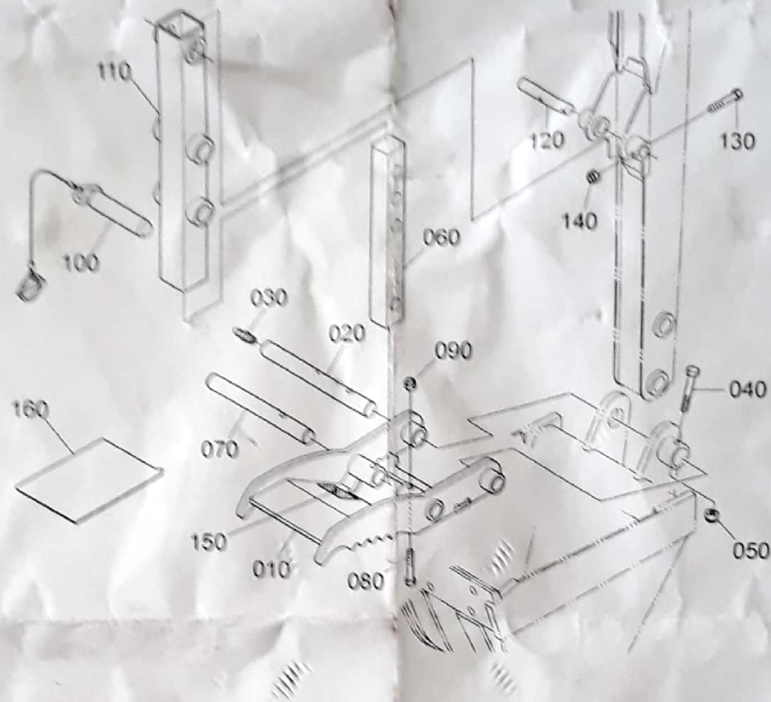


Kubota

INSTRUCTION MANUAL BH1976 MECH. THUMB (7K504-84101) for KUBOTA BACKHOE BH65



4FBAAAHP001A

IMPORTANT :

- Nuts (050, 090, 140) : Do not tighten firmly. Gap between boss and nut should be 2 to 3 mm (0.08 to 0.12 in.).
- Bolts (040, 080) : Make sure not to confuse the set-up direction of bolts.
- Pins (020, 070, 120) : Apply a small amount of multipurpose grease.

■ Parts List

REF. No.	PART No.	PART NAME	Q'TY	REMARKS
010	7K504-8411-2	WELDMNT, THUMB	1	
020	7K504-8430-4	PIN	1	
030	75599-8152-0	FITTING, GREASE	1	
040	01173-51055	BOLT	1	7T
050	02574-50100	NUT, LOCK	1	6T
060	7K504-8428-2	LINK, 1 ADJUST	1	
070	7K504-8426-7	PIN	1	
080	01173-51055	BOLT	1	7T
090	02574-50100	NUT, LOCK	1	6T
100	7K504-8438-2	PIN, SET ADJUST	1	
110	7K504-8429-2	LINK, 2 ADJUST	1	
120	75596-1415-2	PIN	1	
130	01053-50655	BOLT	1	7T
140	02552-50060	NUT, LOCK	1	6T
150	7K523-8452-0	LABEL, WARNING THUMB	1	
160	7K504-8453-3	MANUAL, INSTRUCTION	1	This paper

PRINTED IN U.S.A.

Code No. 7K504-8453-3