

INSTRUCTION MANUAL STABILIZER KIT

for KUBOTA TRACTOR L2600 · L3000 · L2800 · L3400 · L3700SU · L3200 · L3800

■ INSTALLATION INSTRUCTIONS

1. Remove both the check chain assemblies.
2. Exchange the check chain brackets, if the serial number of SFL-30 ROPS is 14996 or smaller.
3. Install two M12-1.25X30 bolts provided in each check chain bracket to ensure proper alignment with the axle case.

NOTE:

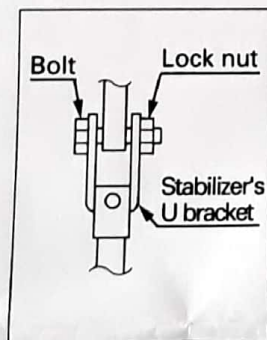
- If the M12 bolts can not be started, loosen the check chain bracket installation bolts (5/8-18UNFX7-1/2) and realign the holes of the bracket and axle case.

• Tightening Torque

Bracket installation bolts (5/8-18UNFX7-1/2);
 176.3 to 211.5 N·m
 130 to 156 ft·lbs.
 18.0 to 21.6 kgf·m

M12-1.25X30 bolt (into axle case);
 77.5 to 90.1 N·m
 57.2 to 66.5 ft·lbs.
 7.9 to 9.2 kgf·m

4. Connect the U bracket to the check chain bracket using the bolt and lock nut (M10).



IMPORTANT:

- Tighten the lock nut until the nut's face comes into contact with the stabilizer's U bracket. Then check to see if the stabilizer turns smoothly without binding.

5. Attach the stabilizer to the lower link using the lock nut (M16).

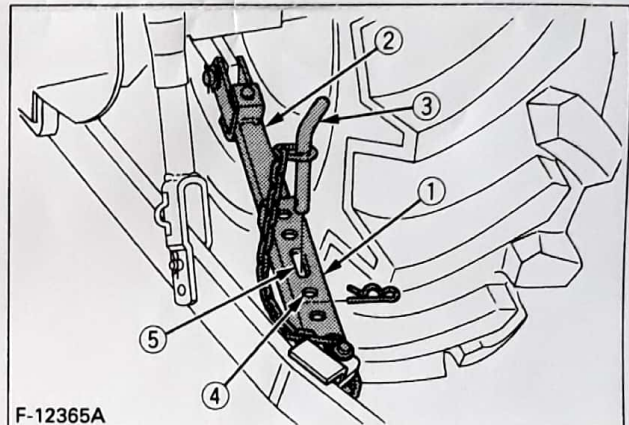
- Tightening Torque
 M16 nut ; 196 to 225 N·m
 145 to 166 ft·lbs.
 20.0 to 23.0 kgf·m

■ ADJUSTMENT OF TELESCOPIC STABILIZERS

Adjust the telescopic stabilizers to control horizontal sway of the implement.

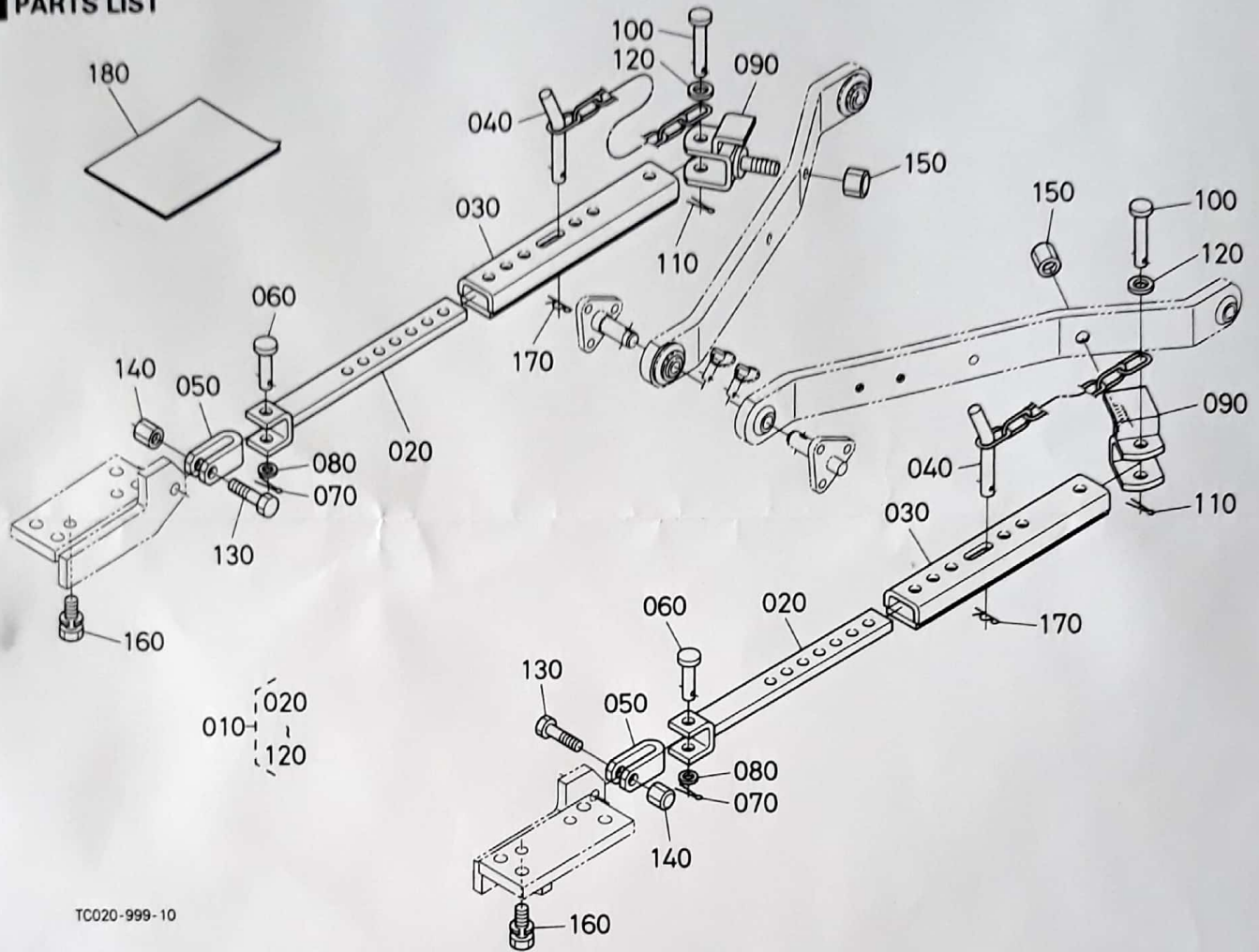
After aligning satisfactorily, insert the set-pin through any one of the four holes on the outer tube that align with one of the holes on the inner bar, both stabilizers will be locked.

If the set-pin is inserted through the slot to engage one of the holes on the inner tube, a limited degree of sway will be permitted.



- (1) Outer tube
 (2) Inner bar
 (3) Set-pin
 (4) Hole
 (5) Slot

PARTS LIST



TC020-999-10

REF. No.	PART No.	PART NAME	Q'TY	REMARKS
010	TC020-3970-2	ASSY. STABILIZER	2	
020	TC020-3971-0	BRACKET, STAB. FRONT	2	
030	TC020-3972-0	BRACKET, STAB. REAR	2	
040	TC020-3973-2	PIN, STABILIZER	2	
050	TC020-3974-0	BRACKET, STABILIZER	2	
060	05122-51050	PIN, JOINT	2	
070	05511-50325	PIN, SPLIT	2	
080	04011-50100	WASHER, PLAIN	2	
090	TC020-3975-0	BRACKET, STAB. REAR	2	
100	05122-51255	PIN, JOINT	2	
110	05511-50425	PIN, SPLIT	2	
120	31351-7167-0	WASHER, PLAIN	2	
130	TC020-3985-0	BOLT, STABILIZER	2	
140	02576-50100	NUT, LOCK	2	6T
150	02576-50160	NUT, LOCK	2	6T
160	01133-51230	BOLT	4	7T
170	05515-51000	PIN, SNAP	2	
180	TC020-9719-0	MANUAL, INSTRUCTION	1	