

Instructions for Parts Books

The heading at the top of the page will be the same for the picture of the parts at it is for the page with the part numbers.

Definition of column headings on part number pages:

REF.No → The number referring to the part on the picture page of the parts book.

Part No. → The number assigned to this part at the time of printing the parts book.

Description → Discription of part.

Q'ty → Quantity of part used on that page.

S.No. → Serial number range of the equipment that this part will fit.

>= Your serial number should be greater than or equal to the number shown.

<= Your serial number should be lesser than or equal to the serial number shown.

I/C → Interchangeability of part shown.

↔ The part shown will work for the older and later serial number.

The part shown is not interchangeable with the other serial number.

← new for old

→ old for new

Remarks → Notes about this particulart part. Sometimes this may say except [FR] or [CA]

Note about Country Codes:

The parts books we use in the United States of America may also contain information about a part that would be different in another country. It is important that you are aware of the country codes in some instances.

Symbol	Country
A	United States of America
CA	Canada
FR	France
GR	Greece
PO	Portugal
AU	Australia

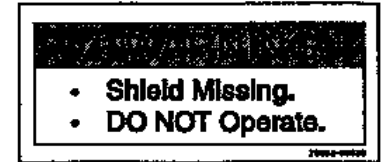
If the remarks column says for example EXCEPT [FR] this part works in all countries except France. That means it will work here in the USA.



001. 66071-99081



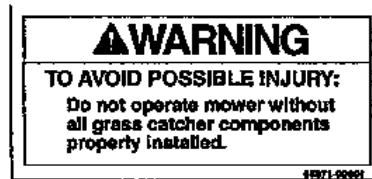
002. 76700-41701



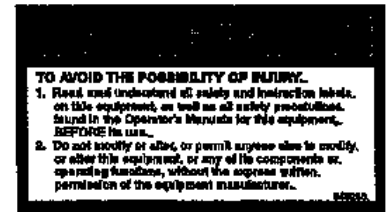
003. 70050-93896



004. 70050-02148



005. 66071-99091



006. 70050-93958



PRINTED ON BAG
007 70050-93026
(P/N for one grass bag)

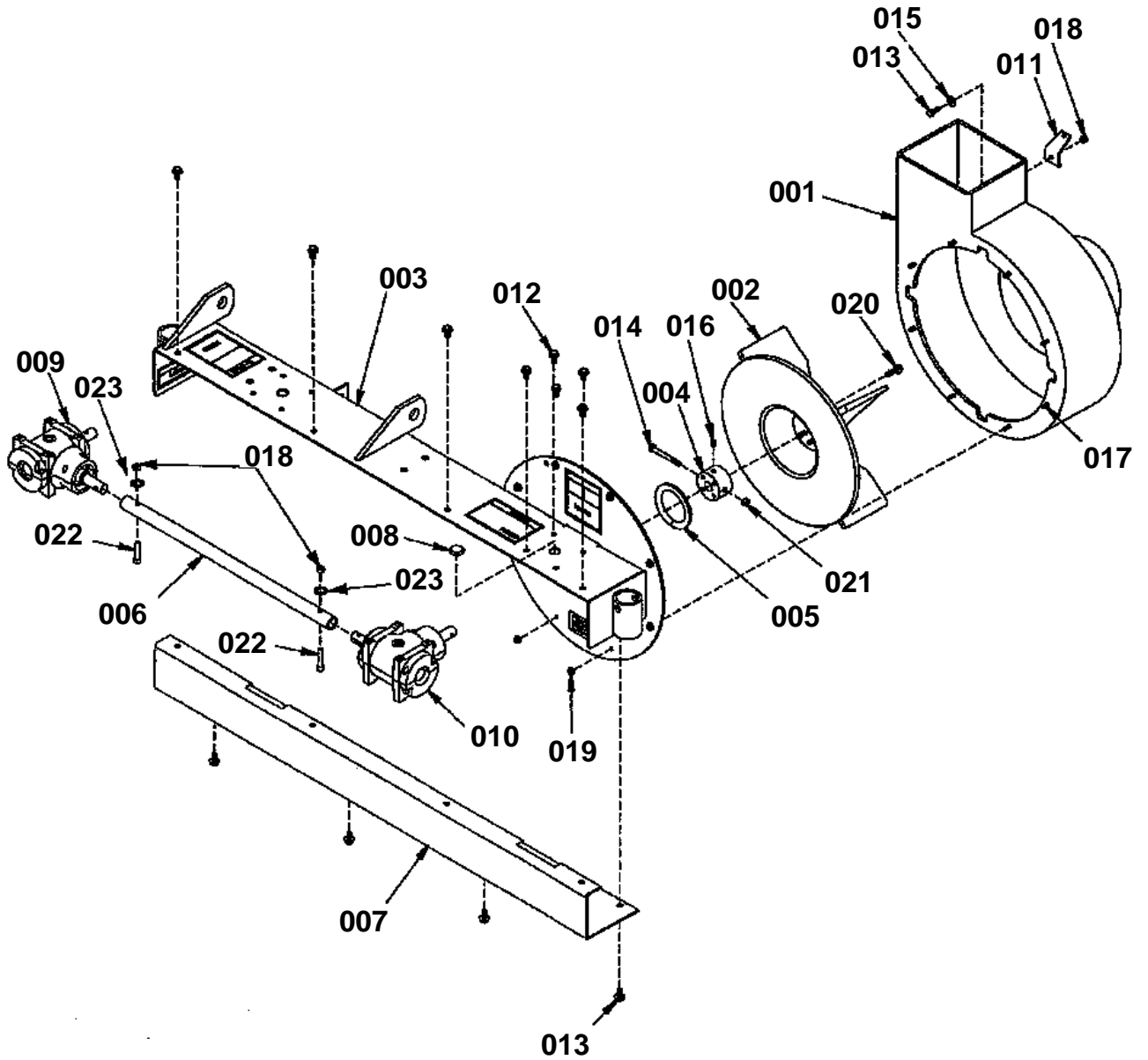


DECALS

↔ Interchangeable; ≠ not interchangeable; ← new for old; → old for new

REF.No	Part No.	Description	Q'ty	S.No.	I/C	REMARKS	Weight (kgf)	Weight (lb)
001	66071-99081	LABEL	1				0	0
002	76700-41701	LABEL	1				0	0
003	70050-93896	LABEL	1				0	0
004	70050-02148	LABEL	1				0	0
005	66071-99091	LABEL	1				0	0
006	70050-93958	LABEL	1				0.002	0.0044
007	70050-93026	LABEL	1				0.3	0.66

BLOWER DRIVE COMPONENTS

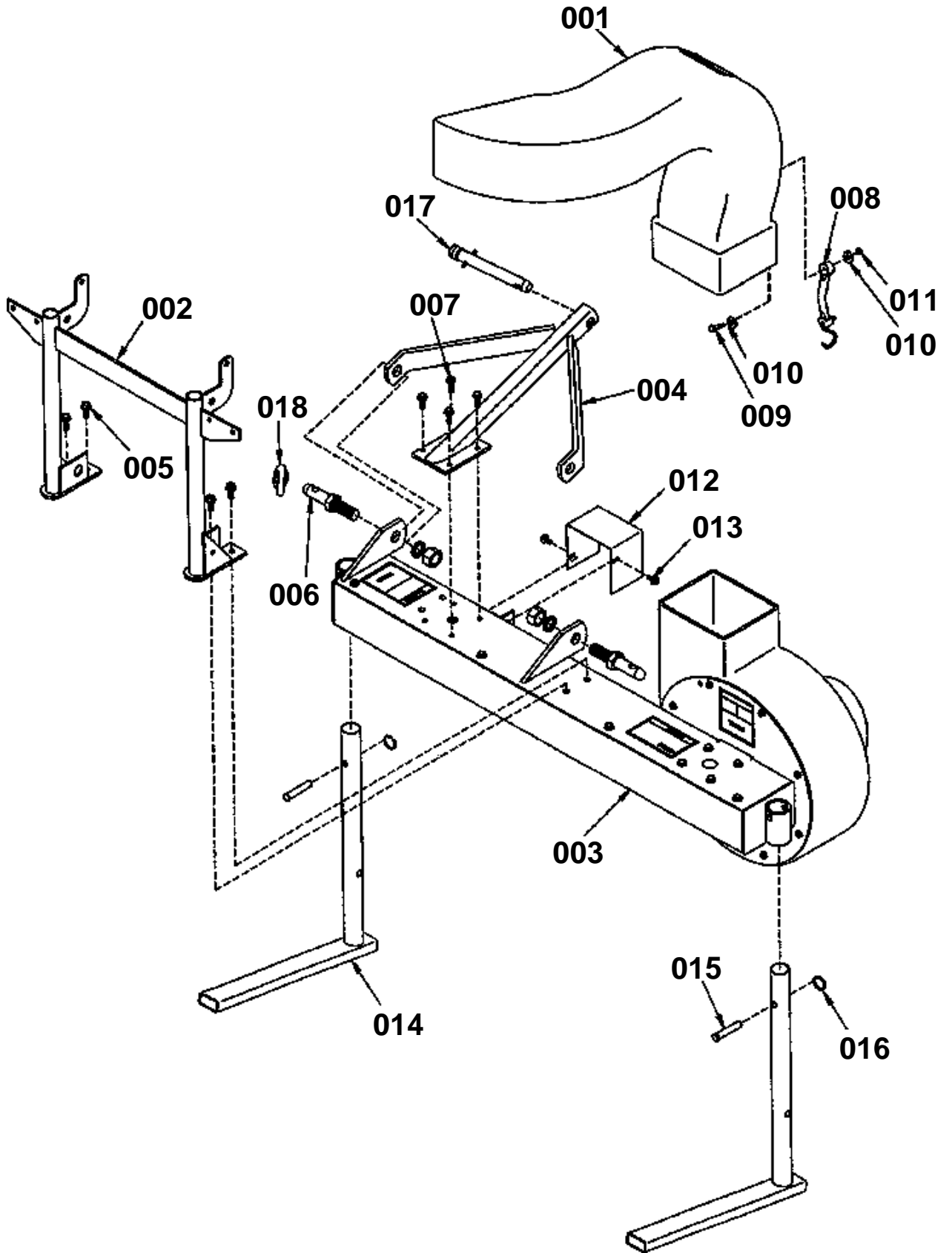


**BLOWER DRIVE COMPONENTS**

↔ Interchangeable; ≠ not interchangeable; ← new for old; → old for new

REF.No	Part No.	Description	Q'ty	S.No.	I/C	REMARKS	Weight (kgf)	Weight (lb)
001	70050-94893	BLOWER HOUSING	1				0	0
002	70050-94894	FAN	1				0	0
003	70050-04146	GEARBOX MOUNT WLDT.	1				0	0
004	70050-04147	HUB FAN MOUNT	1				0	0
005	70050-04148	TRIM EDGE	1				0	0
006	70050-05408	DRIVETUBE BX	1				0	0
007	70050-04150	COVER WLDT.	1				0	0
008	70050-04151	PLUG PLASTIC	1				0	0
009	70050-04152	GEARBOX	1			1.93:1 PTO	0	0
010	70050-94981	GEARBOX	1			1.93:1 FAN	0	0
011	66091-99334	STAY HOOK	1				0	0
012	70050-02741	BOLT FLANGE HD	12			5/16-18 X 5/8	0	0
013	75599-01115	BOLT	1			1/4-20 X 3/4	0.007	0.0154
014	70050-94982	BOLT	1			5/16-18 X 2 3/4	0	0
015	75599-32111	FLATWASHER	1			1/4	0.002	0.0044
016	70050-94983	SET SCREW	1			5/16-18 X 1/2	0	0
017	70050-94933	BOLT CARRIAGE HD	8			1/4-20 X 3/4	0	0
018	75599-31931	LOCKNUT	3			1/4-20	0.004	0.0088
019	70050-94932	NUT WHIZLOCK	8			1/4-20	0	0
020	70050-93542	BOLT FLANGE HD	4			5/16-18 X 1	0.015	0.033
021	70050-94984	LOCKNUT	1			5/16-18	0	0
022	70050-05407	SCREW	2			5/16 X 1 SOCKET HD SHOULDER	0	0
023	75599-33011	LOCKWASHER	2			1/4	0.002	0.0044

BLOWER COMPONENTS



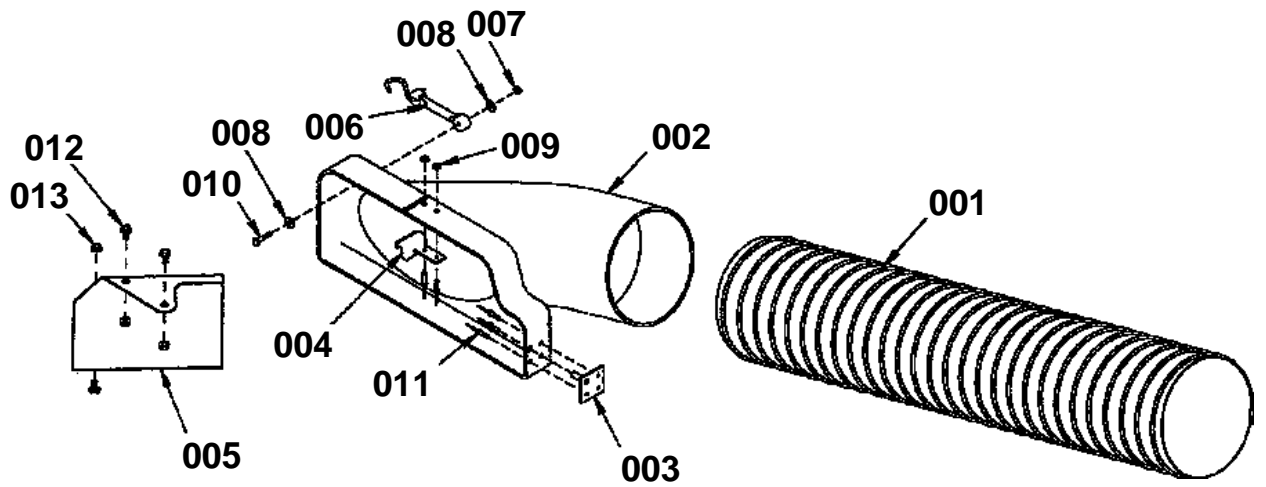


BLOWER COMPONENTS

↔ Interchangeable; ≠ not interchangeable; ← new for old; → old for new

REF.No	Part No.	Description	Q'ty	S.No.	I/C	REMARKS	Weight (kgf)	Weight (lb)
001	70050-94892	CHUTE	1				0	0
002	70050-04156	VERTICAL FRAME WLDT.	1				0	0
003	99999-99999	BLOWER DRIVE ASSY.	1				0	0
004	70050-04157	TOP LINK SUPPORT WLD	1				0	0
005	70050-95090	BOLT FLANGE HD	4			3/8-16 X 1	0	0
006	70080-01282	HITCH PIN	2			7/8	0	0
007	70050-93542	BOLT FLANGE HD	4			5/16-18 X 1	0.015	0.033
008	66091-99341	HOOK BAND	1				0	0
009	75599-01125	BOLT	1			1/4-20 X 1 1/4	0.009	0.0198
010	75599-32112	FLAT WASHER	2			5/16	0.001	0.0022
011	75599-31931	LOCKNUT	1			1/4-20	0.004	0.0088
012	70050-95070	SHIELD PTO	1				0	0
013	70070-00404	BOLT	2			1/4-20 X 1/2 WSHRHD	0	0
014	70050-95069	STAND WLDT.	2				0	0
015	75599-04160	CLEVIS PIN	2			1/2 X 2 1/2	0	0
016	70050-02840	WIRE RING	2				0	0
017	70050-95071	TOP LINK PIN ASSY	1				0	0
018	70000-73577	LYNCH PIN	2			7/16	0	0

BOOT AND HOSE COMPONENTS

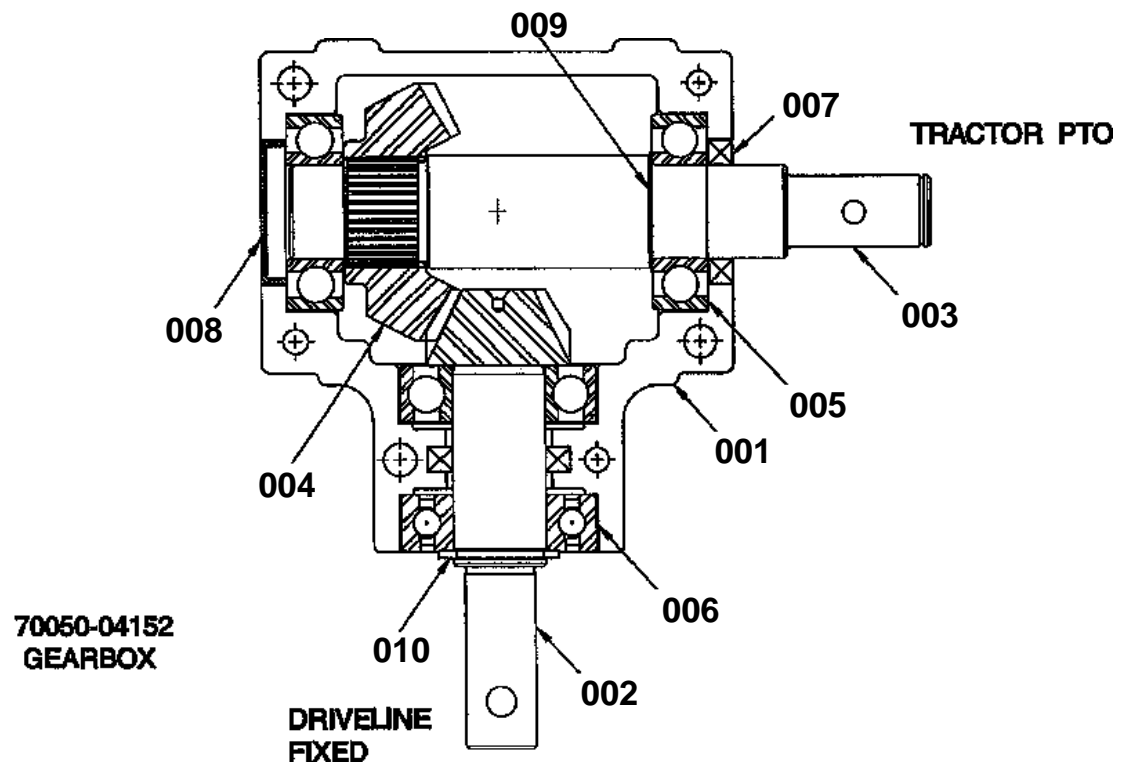




BOOT AND HOSE COMPONENTS

↔ Interchangeable; ≠ not interchangeable; ← new for old; → old for new

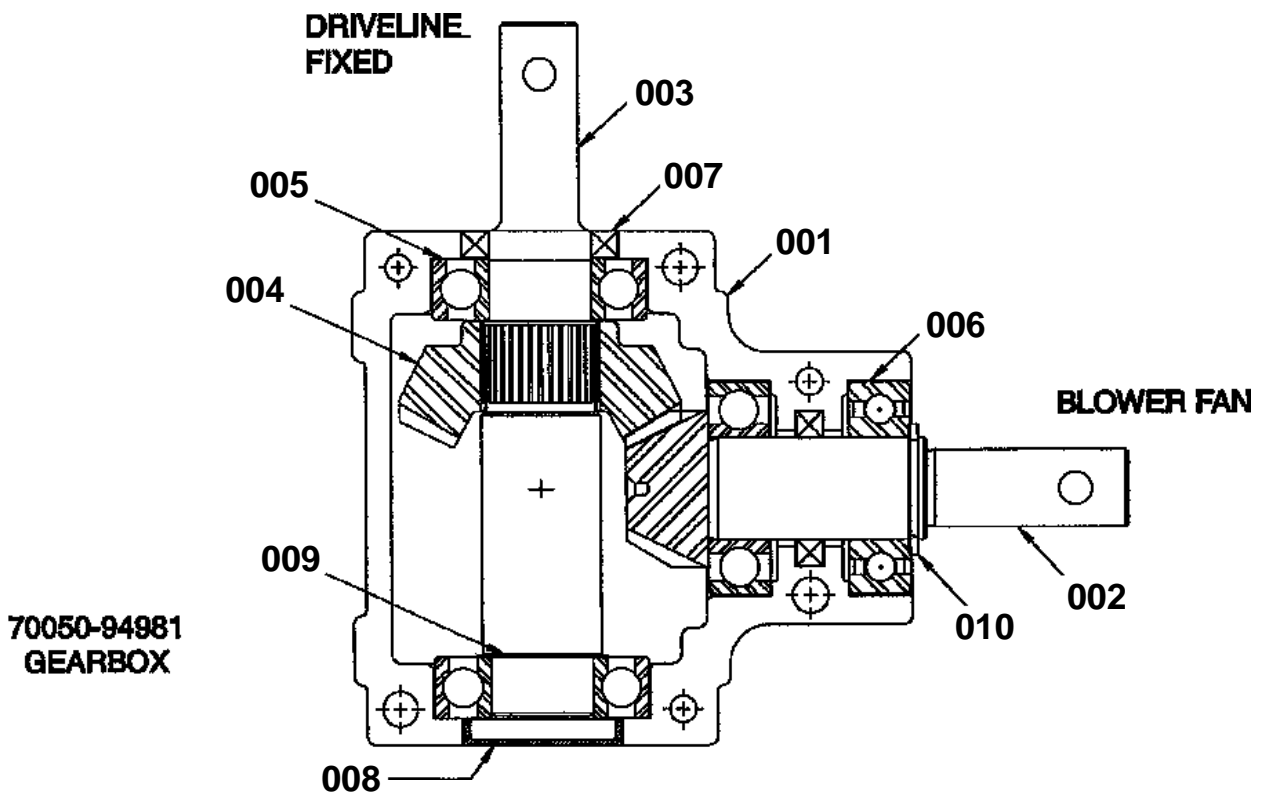
REF.No	Part No.	Description	Q'ty	S.No.	I/C	REMARKS	Weight (kgf)	Weight (lb)
001	70050-94646	HOSE 1	1			BOOT TO BLOWER 42	0	0
002	70050-04153	BOOT	1			60	0	0
002	70050-04155	BOOT	1			54	0	0
003	70050-04154	BOOT HOOK WLDT.	1			60	0	0
003	70050-95093	BOOT HOOK WLDT.	1			54	0	0
004	70050-95066	DISCHARGE SHIELD STO	1				0	0
005	70050-94652	DEFLECTOR WLDT.	1			USED ON 60 BOOT ONLY	0	0
006	66091-99341	HOOK BAND	1				0	0
007	75599-31931	LOCKNUT	1			1/4-20	0.004	0.0088
008	75599-32111	FLATWASHER	2			1/4	0.002	0.0044
009	66071-99851	WASHER	2			POP RIVET 3/16	0	0
010	75599-01125	BOLT	1			1/4-20 X 1 1/4	0.009	0.0198
011	66071-19331	RIVET	5			3/16 X 3/8	0	0
012	70050-02741	BOLT FLANGE HD	3			5/16-18 X 5/8 USED ON 60 BOOT ONLY	0	0
013	70080-01326	NUT	3			WHIZ LOCK 5/16-18 USED ON 60 BOOT ONLY	0.01	0.022



**GEARBOX 70050-04152**

↔ Interchangeable; ≠ not interchangeable; ← new for old; → old for new

REF.No	Part No.	Description	Q'ty	S.No.	I/C	REMARKS	Weight (kgf)	Weight (lb)
001	70050-95079	HOUSING HALF	2				0	0
002	70050-95086	SHAFT PINION	1				0	0
003	70050-95082	SHAFT THRU	1				0	0
004	70050-95089	GEAR	1				0	0
005	70050-95080	BEARING	3				0	0
006	70050-95087	BEARING SEALED	1				0	0
007	70050-95081	SEAL	2				0	0
008	70050-95088	PLUG EXPANSION	1				0	0
009	70050-95084	SHIM	1			.005 USE AS REQUIRED	0	0
009	70050-95085	SHIM	1			.010 USE AS REQUIRED	0	0
010	70050-95091	SNAP RING	1				0	0
011	70080-01297	PLUG PIPE	2			NOT SHOWN IN FIG.	0	0
012	70050-95092	CAP SCREW	6			ALLEN HD 5/16-18 X 1 NOT SHOWN IN FIG.	0	0
013	70050-04159	LOCKWASHER	6			5/16 NOT SHOWN IN FIG.	0	0
014	99999-99999	GEAR LUBE	5			NOT SHOWN IN FIG.	0	0

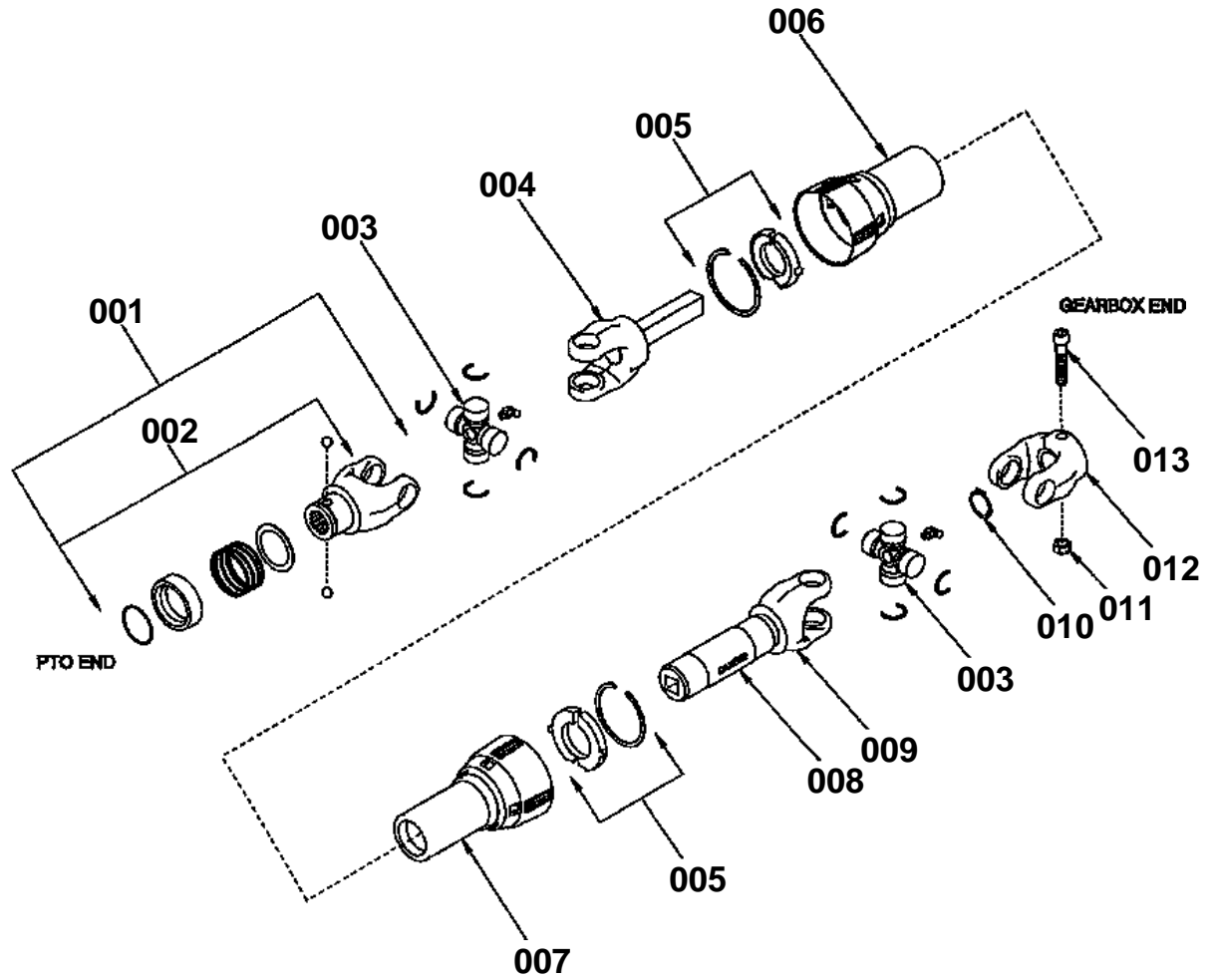


**GEARBOX 70050-94981**

↔ Interchangeable; ≠ not interchangeable; ← new for old; → old for new

REF.No	Part No.	Description	Q'ty	S.No.	I/C	REMARKS	Weight (kgf)	Weight (lb)
001	70050-95079	HOUSING HALF	2				0	0
002	70050-95086	SHAFT PINION	1				0	0
003	70050-95083	SHAFT THRU	1				0	0
004	70050-95089	GEAR	1				0	0
005	70050-95080	BEARING	3				0	0
006	70050-95087	BEARING SEALED	1				0	0
007	70050-95081	SEAL	2				0	0
008	70050-95088	PLUG EXPANSION	1				0	0
009	70050-95084	SHIM	1			.005 USE AS REQUIRED	0	0
009	70050-95085	SHIM	1			.010 USE AS REQUIRED	0	0
010	70050-95091	SNAP RING	1				0	0
011	70080-01297	PLUG PIPE	2			NOT SHOWN IN FIG.	0	0
012	70050-95092	CAP SCREW	6			ALLEN HD 5/16-18 X 1 NOT SHOWN IN FIG.	0	0
013	75599-33014	LOCKWASHER	6			5/16 NOT SHOWN IN FIG.	0.006	0.0132
014	99999-99999	GEAR LUBE	5			NOT SHOWN IN FIG.	0	0

DRIVELINE COMPONENTS



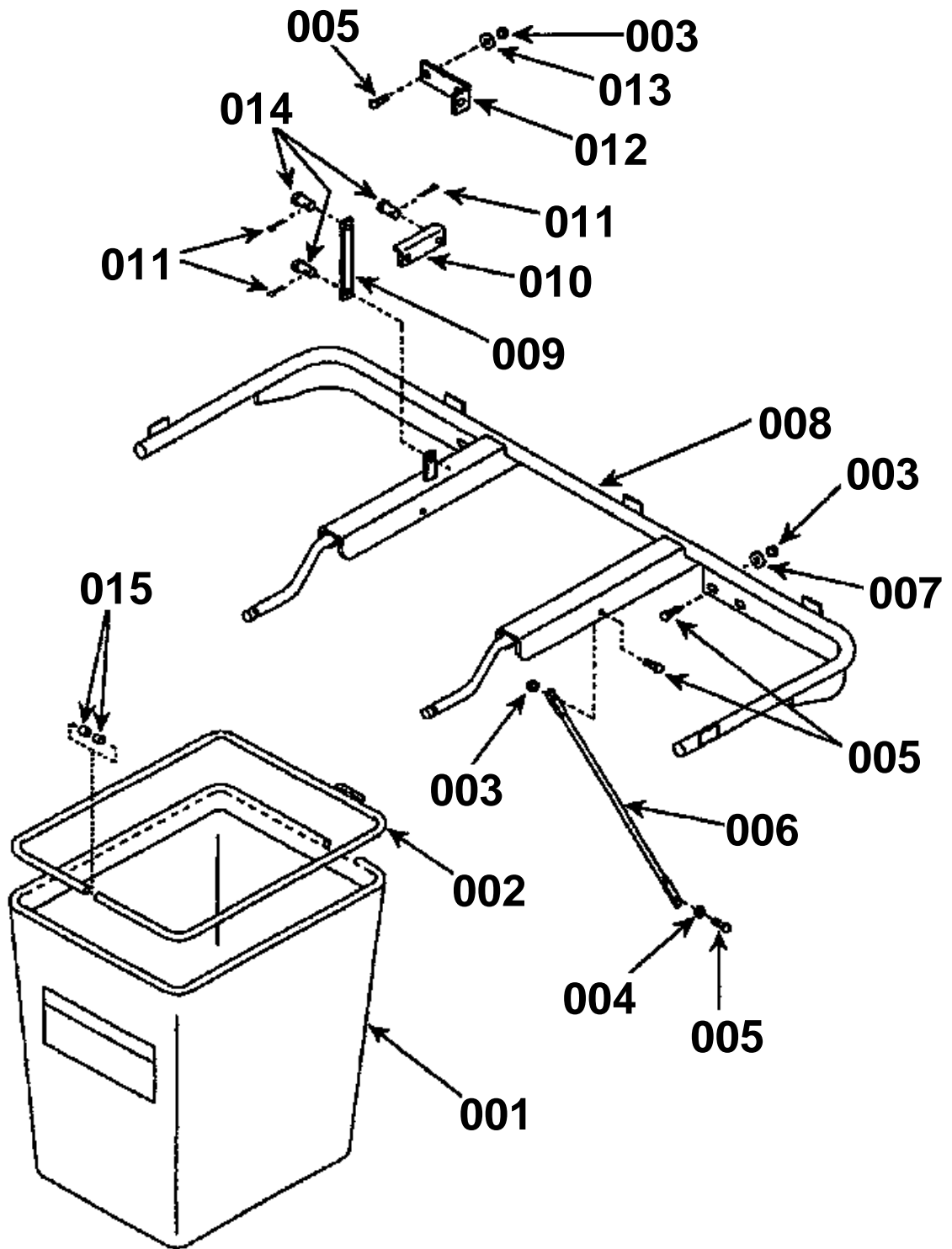


DRIVELINE COMPONENTS

↔ Interchangeable; ≠ not interchangeable; ← new for old; → old for new

REF.No	Part No.	Description	Q'ty	S.No.	I/C	REMARKS	Weight (kgf)	Weight (lb)
000	70050-95065	DRIVELINE ASSY.	1			NOT SHOWN IN FIG.	0	0
001	70050-93245	SPRING LOK YOKE ASSY	1				0	0
002	70050-93246	SPRING LOK REPAIR KI	1				0	0
003	70050-93250	CROSS & BRG REPAIR K	2				0.3	0.66
004	70050-95074	SHAFT HALF YOKE & SH	1				0	0
005	70050-94060	NYLON REPAIR KIT	2				0	0
006	70050-95075	SHIELD OUTER	1				0	0
007	70050-95076	SHIELD INNER	1				0	0
008	70050-94057	DECAL DANGER	1				0	0
009	70050-95077	SHAFT HALF YOKE & TU	1				0	0
010	75599-41525	SNAP RING	1			3/4 EXT	0.001	0.0022
011	75599-31931	LOCKNUT	1			1/4-20	0.004	0.0088
012	70050-95078	YOKE	1				0	0
013	70050-04158	BOLT	1			1/4-20 X 1 1/2	0	0

GRASS BAG AND FRAME COMPONENTS



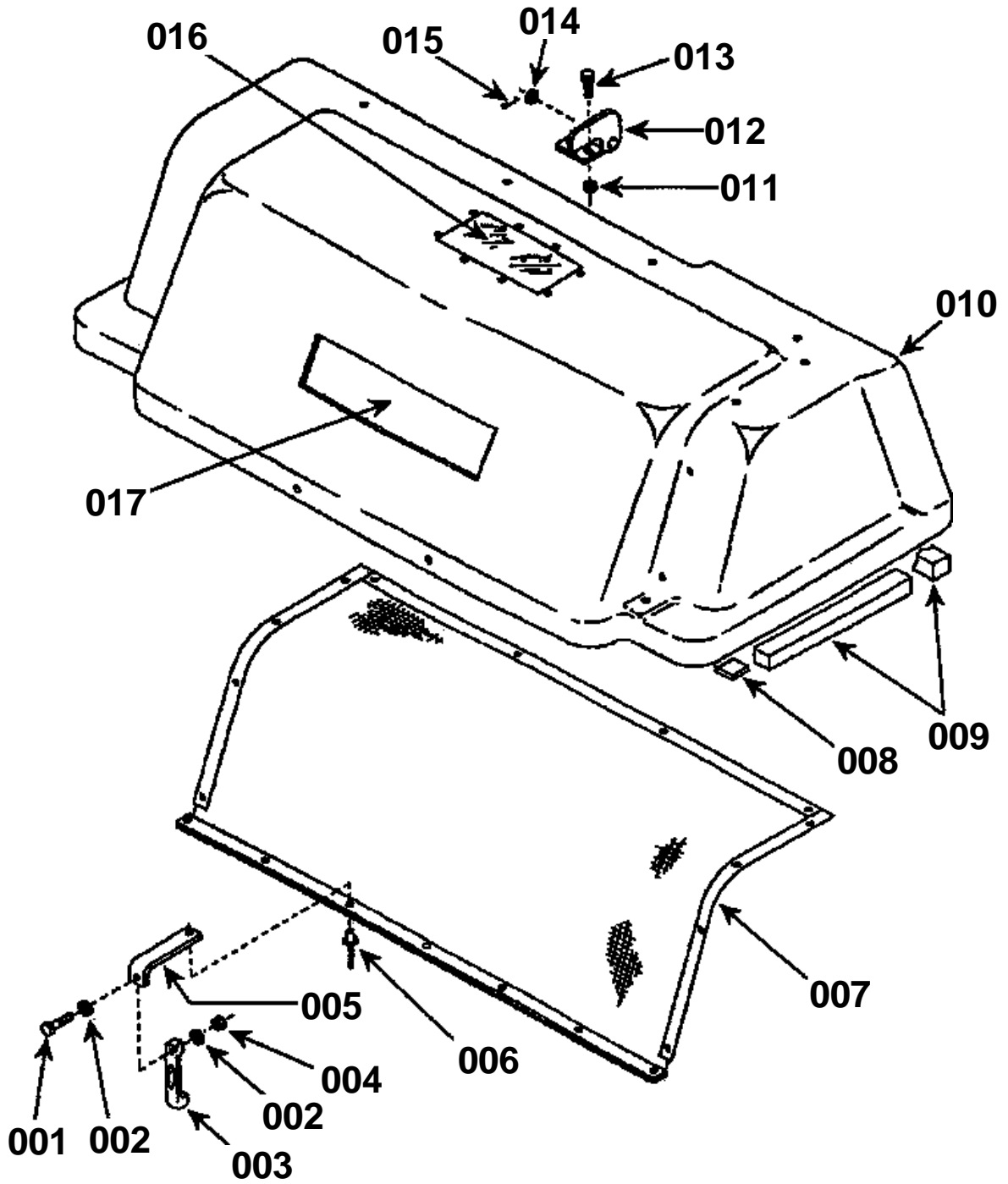


GRASS BAG AND FRAME COMPONENTS

↔ Interchangeable; ≠ not interchangeable; ← new for old; → old for new

REF.No	Part No.	Description	Q'ty	S.No.	I/C	REMARKS	Weight (kgf)	Weight (lb)
001	70050-93026	GRASS BAG	3				0.3	0.66
002	66071-99241	FRAME GRASS BAG	3				0	0
003	75599-31932	LOCKNUT	8			5/16-18	0	0
004	70080-01326	NUT	8			WHIZ LOCK 5/16-20	0.01	0.022
005	75599-01215	BOLT	6			5/16-18 X 3/4	0.011	0.0242
006	70050-95064	ROD FRAME BRACE	2				0	0
007	76710-55401	FRAME BAG SUPPORT	1				0	0
008	K6051-53201	PLATE LINK	1				0	0
009	76710-53101	PLATE LATCH	1				0	0
010	75599-52220	COTTER PIN	4			1/8 X 1	0.002	0.0044
011	76710-53001	PLATE HINGE	1				0	0
012	70080-01270	FENDER WASHER	2			5/16	0	0
013	75599-51210	CLEVIS PIN	3			5/16 X 1/2	0	0
014	70050-94435	VINYL CAP BAG PROTEC	6				0	0

GRASS CATCHER LID COMPONENTS



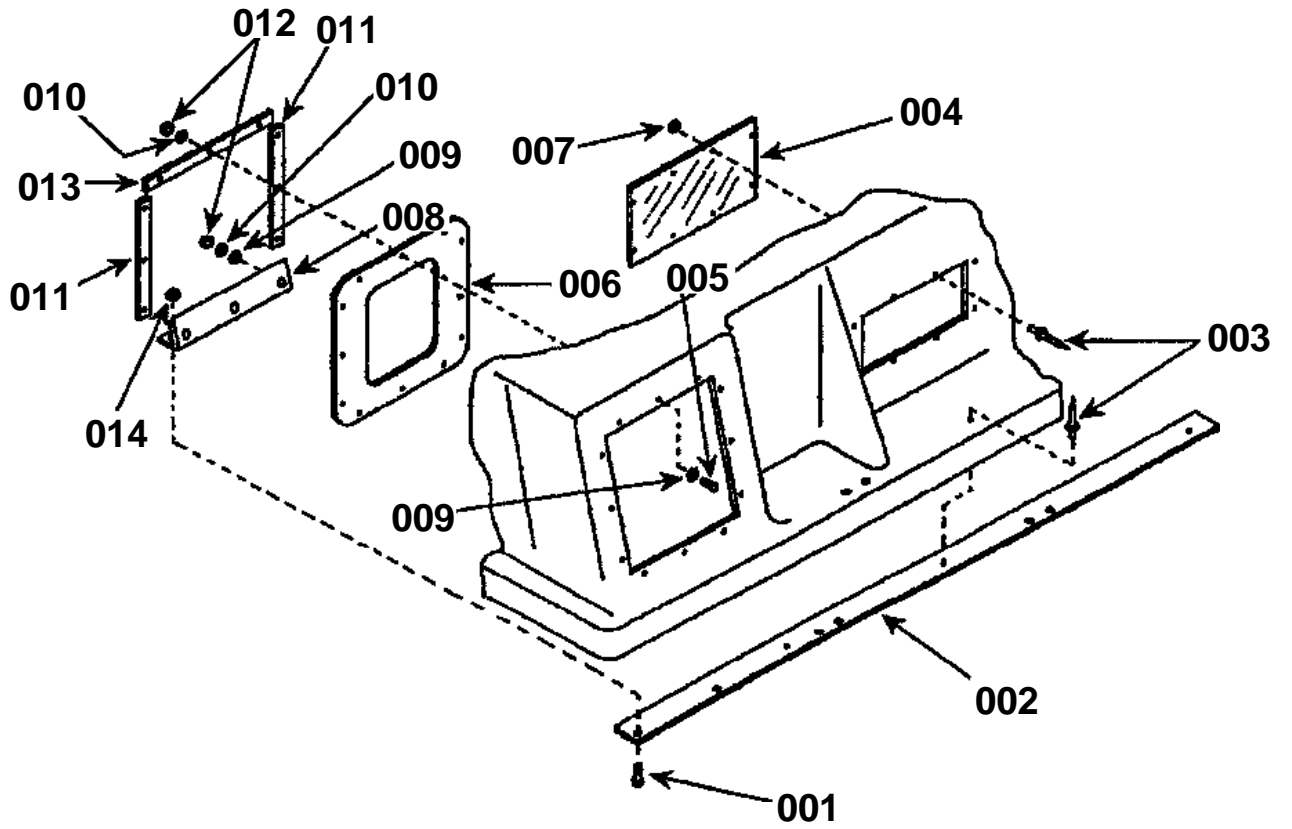


GRASS CATCHER LID COMPONENTS

↔ Interchangeable; ≠ not interchangeable; ← new for old; → old for new

REF.No	Part No.	Description	Q'ty	S.No.	I/C	REMARKS	Weight (kgf)	Weight (lb)
001	75599-01125	BOLT	2			1/4-20 X 1 1/4	0.009	0.0198
002	75599-32111	FLAT WASHER	4			1/4	0.002	0.0044
003	66071-99282	HOOK BAND	2				0	0
004	75599-31931	NUT	2			1/4-20	0.004	0.0088
005	66071-99072	PLATE HOOK BAND	2				0	0
006	66071-99331	POP RIVET	2			3/16 X 1/2	0	0
007	76710-52401	KIT DUST SCREEN	1				0	0
008	70050-93878	FOAM SEAL	1			1/8 X 3/4 X 48(REAR) PART NUMBER IS FOR	0	0
009	70050-93867	FOAM SEAL	1			1/2 X 3/4 X 48(FRONT) PART NUMBER IS FOR	0	0
009	70050-93867	FOAM SEAL	1			1/2 X 3/4 X 18(1 PER SIDE) PART NUMBER I	0	0
010	76710-57002	COVER 3-BAG GRASS CA	1				0	0
011	75599-31932	LOCKNUT	4			5/16-18	0	0
012	76710-52051	HINGE LID COVER	2				0	0
013	75599-01220	BOLT	4			5/16-18 X 1	0.012	0.0264
014	75599-32112	FLAT WASHER	2			5/16	0.001	0.0022
015	75599-52220	COTTER PIN	2			1/8 X 1	0.002	0.0044
016	76700-52151	WINDOW	1				0	0
017	66071-99341	SIGN KUBOTA TRADEMAR	1				0	0

MISCELLANEOUS LID COMPONENTS





MISCELLANEOUS LID COMPONENTS

↔ Interchangeable; ≠ not interchangeable; ← new for old; → old for new

REF.No	Part No.	Description	Q'ty	S.No.	I/C	REMARKS	Weight (kgf)	Weight (lb)
001	75599-01215	BOLT	2			5/16-18 X 3/4	0.011	0.0242
002	76710-52101	PLATE 1	1				0	0
003	66071-99321	RIVET	37			3/16 X 3/8 POP	0	0
004	76700-52151	WINDOW	1				0	0
005	70050-93883	SCREW	12			8-32 X 3/4	0	0
006	76710-52601	SEAL RUBBER	1				0	0
007	66071-99851	WASHER	18			3/16 POP RIVET	0	0
008	76710-52701	PLATE SEAL 1 PLATE	1				0	0
009	70050-94437	WASHER	15			FLAT #8	0	0
010	70050-94436	LOCKWASHER	12			#8	0	0
011	76710-52901	PLATE SEAL 3	2				0	0
012	70050-93884	NUT	12			8-32	0	0
013	76710-52801	PLATE SEAL 2	1				0	0
014	75599-31932	LOCKNUT	2			5/16-18	0	0