

Instructions for Parts Books

The heading at the top of the page will be the same for the picture of the parts as it is for the page with the part numbers.

Definition of column headings on part number pages:

REF.No → The number referring to the part on the picture page of the parts book.

Part No. → The number assigned to this part at the time of printing the parts book.

Description → Description of part.

Q'ty → Quantity of part used on that page.

S.No. → Serial number range of the equipment that this part will fit.

>= Your serial number should be greater than or equal to the number shown.

<= Your serial number should be lesser than or equal to the serial number shown.

I/C → Interchangeability of part shown.

↔ The part shown will work for the older and later serial number.

The part shown is not interchangeable with the other serial number.

← new for old

→ old for new

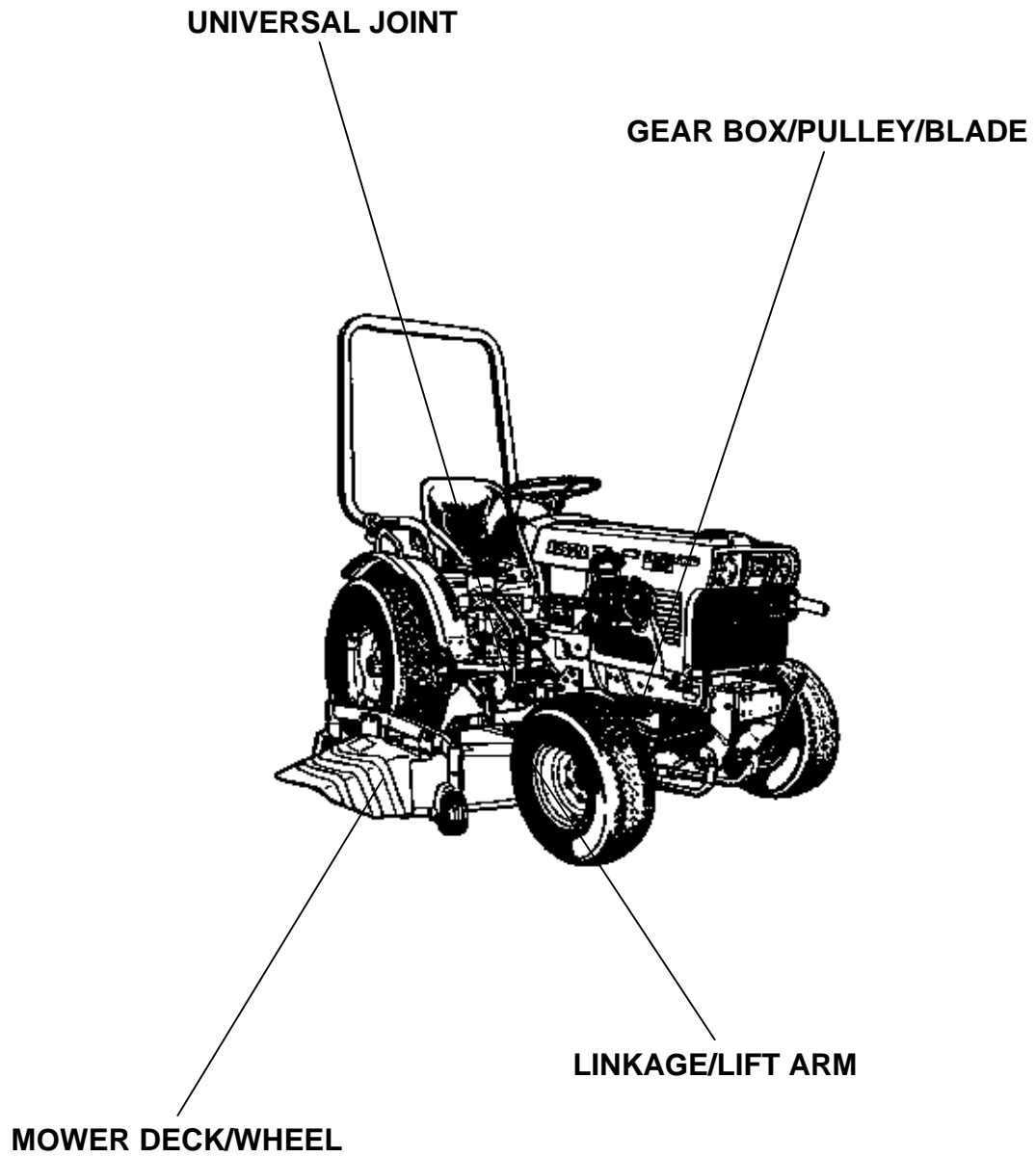
Remarks → Notes about this particular part. Sometimes this may say except [FR] or [CA]

Note about Country Codes:

The parts books we use in the United States of America may also contain information about a part that would be different in another country. It is important that you are aware of the country codes in some instances.

Symbol	Country
A	United States of America
CA	Canada
FR	France
GR	Greece
PO	Portugal
AU	Australia

If the remarks column says for example EXCEPT [FR] this part works in all countries except France. That means it will work here in the USA.

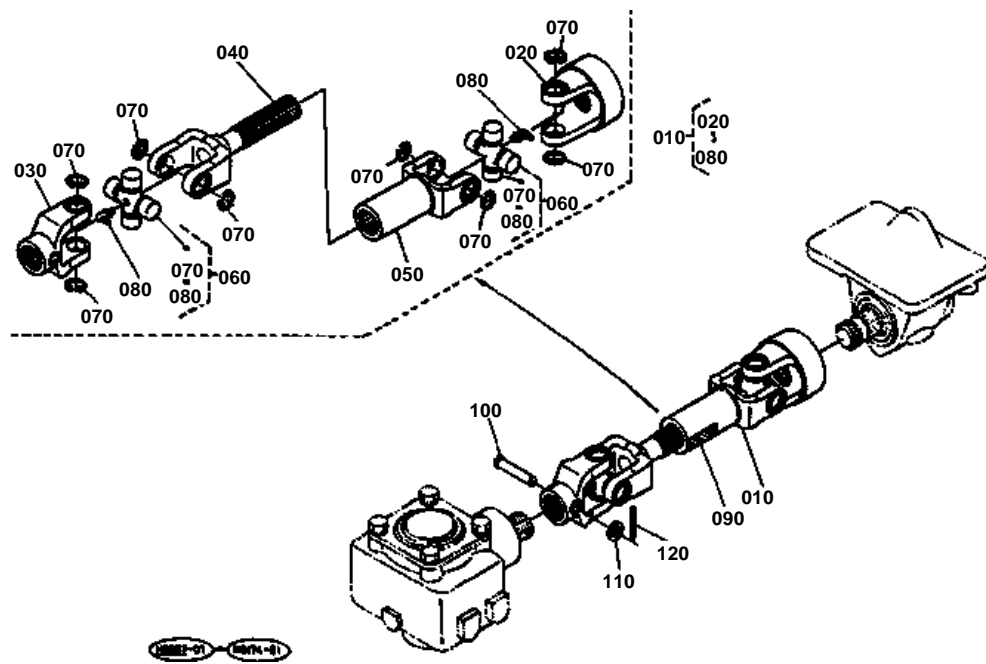


ACCESSORIES



Item	Part No.	Description	Book
UNIVERSAL JOINT	01I01	UNIVERSAL JOINT	100K0272
GEAR BOX/PULLEY/BLADE	01I02	GEAR BOX/CENTER PULLEY	100K0272
	01I03	PULLEY HOLDER/BLADE	100K0272
	01I04	SIDE PULLEY/BLADE	100K0272
	01I05	TENSION PULLEY	100K0272
MOWER DECK/WHEEL	01I06	MOWER DECK	100K0272
	01I07	WHEEL	100K0272
LINKAGE/LIFT ARM	01I08	LINKAGE	100K0272
MOWER DECK/WHEEL	01I09	DISCHARGE COVER	100K0272
LINKAGE/LIFT ARM	01I10	LIFT LINKAGE	100K0272
	01I11	REAR LINKAGE	100K0272
	01I12	LIFT ARM	100K0272
ACCESSORIES	01I13	ACCESSORIES AND SERVICE PARTS	100K0272

UNIVERSAL JOINT



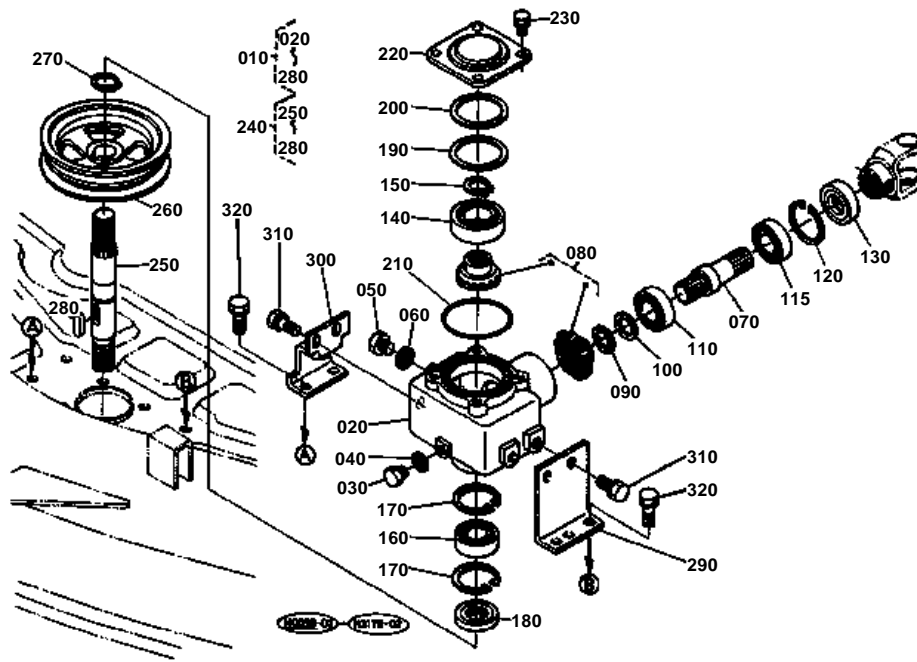


UNIVERSAL JOINT

↔ Interchangeable; ≠ not interchangeable; ← new for old; → old for new

REF.No	Part No.	Description	Q'ty	S.No.	I/C	REMARKS	Weight (kgf)	Weight (lb)
010	76505-32040	ASSY JOINT,UNIVERSAL	1				2.9	6.38
020	76539-31150	YOKE,QUICK	1				0.55	1.21
030	76505-31130	YOKE,PTO	1				0.42	0.924
040	76505-31190	SHAFT,JOINT	1				0.9	1.98
050	76505-31200	YOKE,JOINT	1				0.6	1.32
060	76539-31180	ASSY JOINT,CROSS	2				0.21	0.462
070	76539-32120	RING,SNAP	8				0.003	0.0066
080	76539-31210	NIPPLE,GREASE	4				0.01	0.022
090	76550-31150	MARK	1				0.001	0.0022
100	05122-50845	PIN,JOINT	1				0.018	0.0396
110	04012-50080	WASHER,PLAIN	1				0.001	0.0022
120	05511-50218	PIN,SPLIT	1				0.001	0.0022

GEAR BOX/CENTER PULLEY



300 76539-3315-0



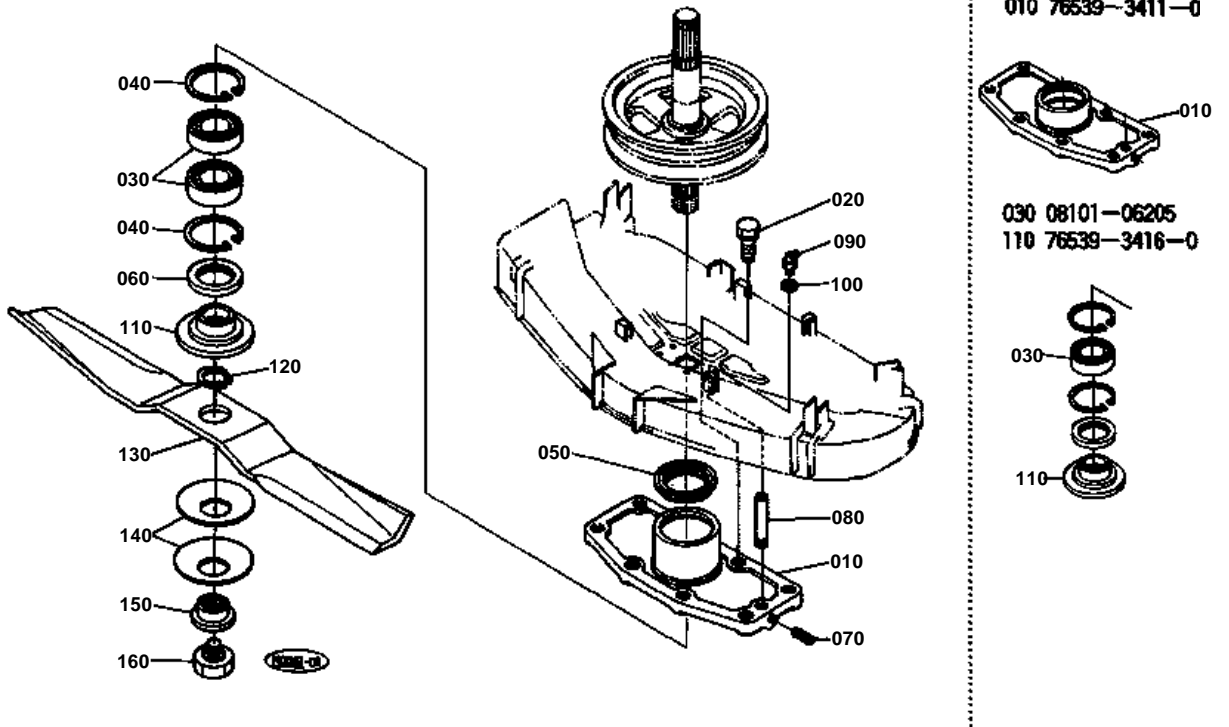


GEAR BOX/CENTER PULLEY

↔ Interchangeable; ≠ not interchangeable; ← new for old; → old for new

REF.No	Part No.	Description	Q'ty	S.No.	I/C	REMARKS	Weight (kgf)	Weight (lb)
010	76529-99044	ASSY CASE,BEVEL GEAR	1				7.7	16.94
020	76539-33112	CASE,BEVEL GEAR	1				3.25	7.15
030	76539-12140	BOLT	1				0	0
040	04717-01200	WASHER,WITH RUBBER	1				0.002	0.0044
050	76539-12140	BOLT	1				0	0
060	04717-01200	WASHER,WITH RUBBER	1				0.002	0.0044
070	70722-33310	SHAFT,PINION	1				0.46	1.012
080	76505-33320	KIT GEAR,BEVEL	1				0.26	0.572
090	70720-33350	SHIM	1			0.2MM	0.001	0.0022
100	70720-33360	SHIM	1			0.3MM	0.001	0.0022
110	76546-33380	BEARING,BALL	1				0.11	0.242
115	08101-06205	BEARING,BALL	1				0.14	0.308
120	04611-00520	CIR CLIP,INTERNAL	1				0.009	0.0198
130	76535-33440	SEAL,OIL	1				0.02	0.044
140	70712-33550	BEARING,BALL	1				0.22	0.484
150	04612-00220	CIR CLIP,EXTERNAL	1				0.001	0.0022
160	08101-06205	BEARING,BALL	1				0.14	0.308
170	04611-00520	CIR CLIP,INTERNAL	2				0.009	0.0198
180	76535-33440	SEAL,OIL	1				0.02	0.044
190	76539-33410	SHIM	1			0.2MM	0.001	0.0022
200	76539-33590	SHIM	1			0.3MM	0.005	0.011
210	04811-10800	O RING	1				0.001	0.0022
220	70712-33610	COVER,BEVEL CASE	1				0.2	0.44
230	01123-50814	BOLT	4				0	0
240	76539-99033	ASSY PULLEY,CENTER	1				2.6	5.72
250	76539-33502	SHAFT,BEVEL GEAR	1				0.78	1.716
260	76539-33520	PULLEY,CENTER	1				1.65	3.63
270	04612-00250	CIR CLIP,EXTERNAL	1				0.002	0.0044
280	05712-00728	KEY,FEATHER	1				0.01	0.022
290	76539-33130	STAY,BEVEL CASE LH	1				0.4	0.88
300	76539-33150	STAY,BEVEL CASE RH	1	<=30210			0	0
300	76539-33152	STAY,BEVEL CASE RH	1	>=30211	←		0.45	0.99
310	01133-51222	BOLT	4				0	0
320	01133-51230	BOLT	4				0.04	0.088

PULLEY HOLDER/BLADE

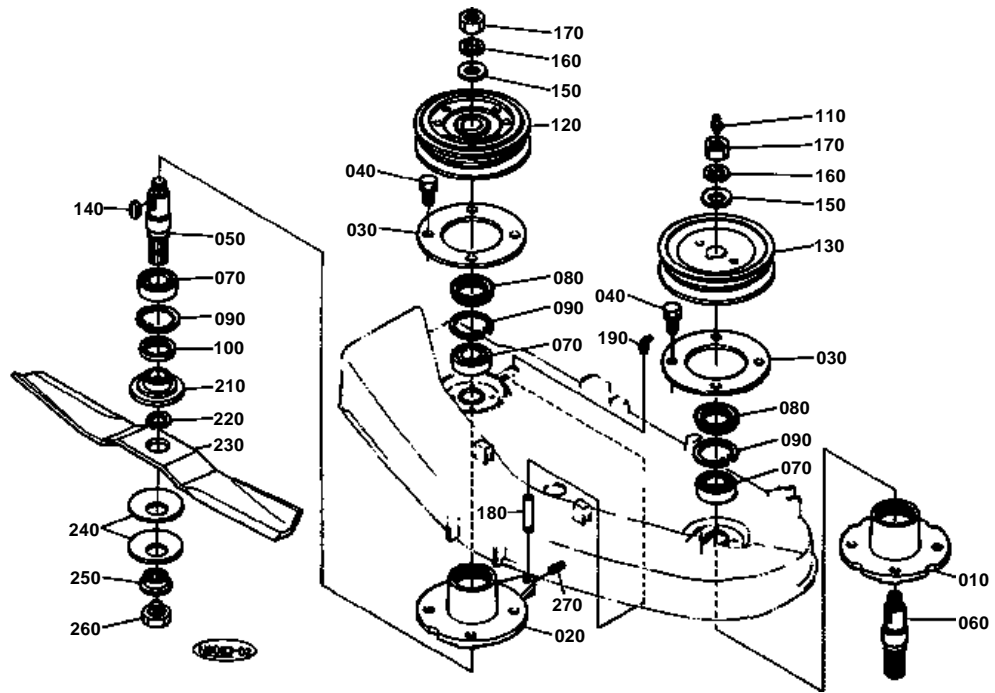


**PULLEY HOLDER/BLADE**

↔ Interchangeable; ≠ not interchangeable; ← new for old; → old for new

REF.No	Part No.	Description	Q'ty	S.No.	I/C	REMARKS	Weight (kgf)	Weight (lb)
010	76539-34114	HOLDER,PULLEY CENTER	1				0	0
020	01133-51222	BOLT	4				0	0
030	08101-06205	BEARING,BALL	2				0.14	0.308
040	04611-00520	CIR CLIP,INTERNAL	2				0.009	0.0198
050	70722-34120	SEAL,OIL	1				0.025	0.055
060	09500-35528	SEAL,OIL	1				0.017	0.0374
070	03410-50606	SCREW,SET	1				0.001	0.0022
080	76539-34132	PIPE,EXTENSION	1				0.01	0.022
090	67111-44250	NIPPLE,GREASE	1				0.005	0.011
100	66616-34390	SHIM,ADJUSTING	1				0.001	0.0022
110	76539-34150	BOSS,BLADE	1				0.28	0.616
120	04612-00220	CIR CLIP,EXTERNAL	1				0.001	0.0022
130	76529-34330	BLADE	1				1.45	3.19
140	76550-34350	RETAINER,BLADE	2				0.075	0.165
150	76539-34390	JOINT,BLADE BOSS	1				0	0
160	76539-34372	BOLT,LOCKING BLADE	1				0.05	0.11

SIDE PULLEY/BLADE



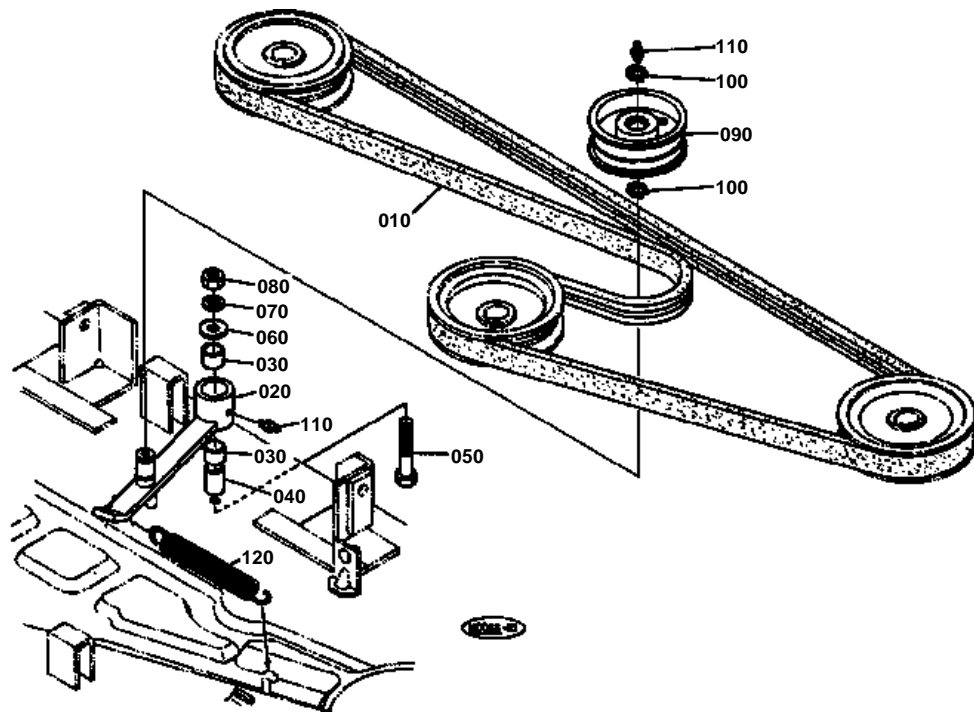


SIDE PULLEY/BLADE

↔ Interchangeable; ≠ not interchangeable; ← new for old; → old for new

REF.No	Part No.	Description	Q'ty	S.No.	I/C	REMARKS	Weight (kgf)	Weight (lb)
010	76539-34514	HOLDER,PULLEY LH	1				0	0
020	76539-34524	HOLDER,PULLEY RH	1				0	0
030	76539-34320	PLATE	2				0	0
040	01133-51225	BOLT	8				0.038	0.0836
050	76539-34542	SHAFT,BLADE RH	1				0.515	1.133
060	76539-34552	SHAFT,BLADE LH	1				0.5	1.1
070	08101-06205	BEARING,BALL	4				0.14	0.308
080	70722-34120	SEAL,OIL	2				0.025	0.055
090	04611-00520	CIR CLIP,INTERNAL	4				0.009	0.0198
100	09500-35528	SEAL,OIL	2				0.017	0.0374
110	06613-10675	NIPPLE,GREASE	1				0.003	0.0066
120	76539-33570	PULLEY,SIDE RH	1				1.71	3.762
130	76539-33580	PULLEY,SIDE LH	1				1.7	3.74
140	05712-00722	KEY,FEATHER	2				0.009	0.0198
150	70721-34560	WASHER,PLAIN	2				0.01	0.022
160	70725-33600	WASHER,SPRING	2				0.015	0.033
170	70725-33560	NUT	2				0.012	0.0264
180	76539-34132	PIPE,EXTENSION	1				0.01	0.022
190	06613-10010	NIPPLE,GREASE	1				0.006	0.0132
200	99999-99999	BLANK	0				0	0
210	76539-34150	BOSS,BLADE	2				0.28	0.616
220	04612-00220	CIR CLIP,EXTERNAL	2				0.001	0.0022
230	76529-34330	BLADE	2				1.45	3.19
240	76550-34350	RETAINER,BLADE	4				0.075	0.165
250	76539-34390	JOINT,BLADE BOSS	2				0	0
260	76539-34372	BOLT,LOCKING BLADE	2				0.05	0.11
270	03410-50606	SCREW,SET	1				0.001	0.0022

TENSION PULLEY



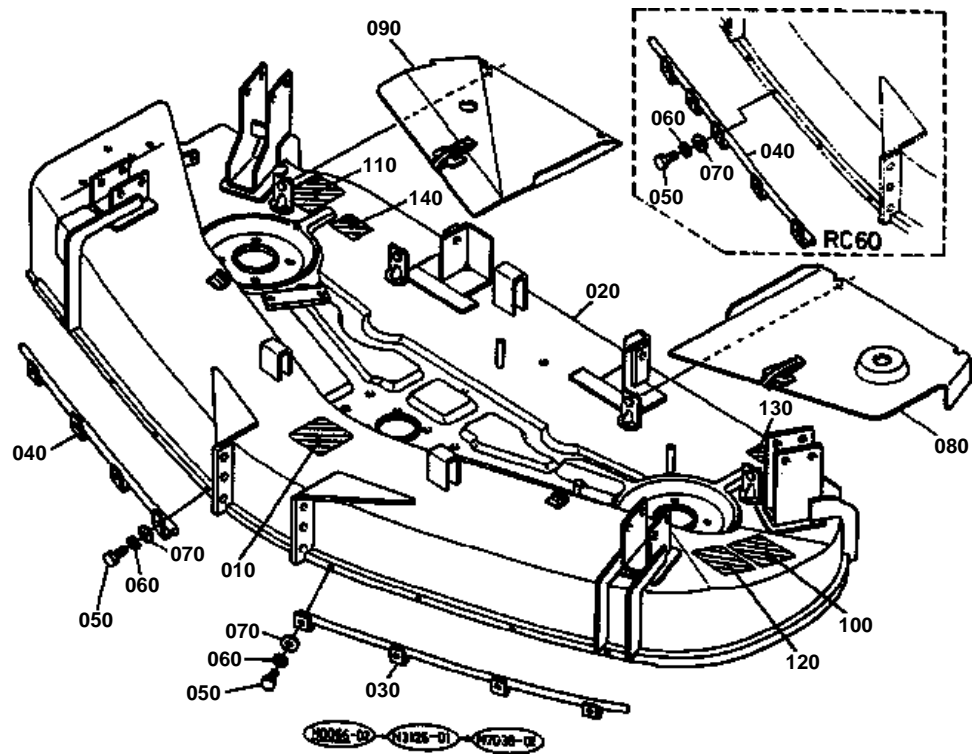


TENSION PULLEY

↔ Interchangeable; ≠ not interchangeable; ← new for old; → old for new

REF.No	Part No.	Description	Q'ty	S.No.	I/C	REMARKS	Weight (kgf)	Weight (lb)
010	76529-34710	BELT,MULTI	1			110 INCH	0.91	2.002
020	76539-34733	ARM,TENSION	1				0.55	1.21
030	08511-02020	BUSH	2				0.01	0.022
040	76539-34780	COLLAR,TENSION	1				0.06	0.132
050	01173-51270	BOLT	1				0.067	0.1474
060	04015-50120	WASHER,PLAIN	1				0	0
070	04512-50120	WASHER,SPRING	1				0	0
080	02172-50120	NUT	1				0.01	0.022
090	76539-34880	ASSY PULLEY,TENSION	1				0	0
100	04612-00170	CIR CLIP,EXTERNAL	2				0.001	0.0022
110	06613-10675	NIPPLE,GREASE	2				0.003	0.0066
120	76539-34750	SPRING,TENSION	1				0.18	0.396

MOWER DECK

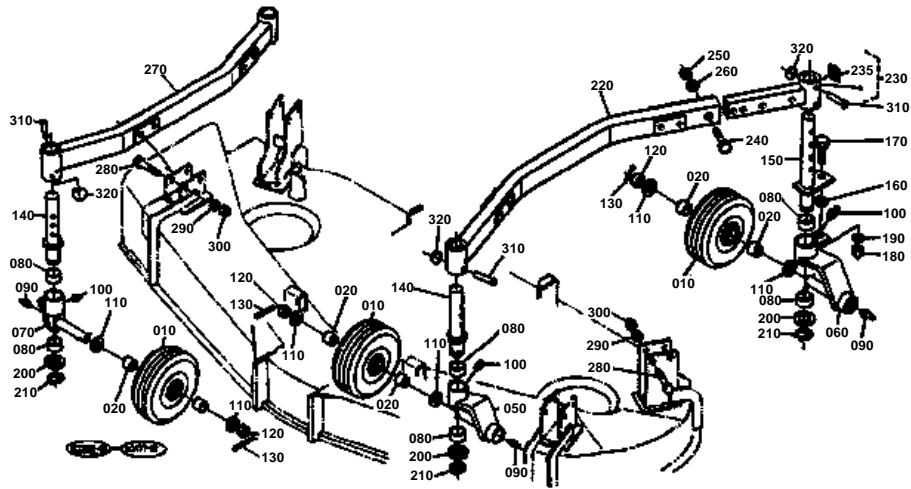


**MOWER DECK**

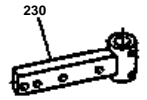
↔ Interchangeable; ≠ not interchangeable; ← new for old; → old for new

REF.No	Part No.	Description	Q'ty	S.No.	I/C	REMARKS	Weight (kgf)	Weight (lb)
010	76539-34570	LABEL, BLADE	1			[A],[CA] (ENGLISH)	0.003	0.0066
010	76507-11340	NAME PLATE, BLADE	1			[CA] (FRENCH)	0.003	0.0066
020	76529-41152	DECK, MOWER	1				50	110
030	76529-41100	BAR, FRONT LH	1				0.65	1.43
040	76529-41120	BAR, FRONT RH	1				0.7	1.54
050	01053-50516	BOLT	8				0.003	0.0066
060	04512-50050	WASHER, SPRING	8				0	0
070	04013-50050	WASHER, PLAIN	8				0	0
080	76529-41180	COVER, LH	1				1.35	2.97
090	76529-41200	COVER, RH	1				1.32	2.904
100	70720-47154	LABEL, CAUTION	1			[A],[CA] (ENGLISH)	0.001	0.0022
100	70712-11470	LABEL, CAUTION	1			[CA] (FRENCH)	0.002	0.0044
110	70712-41142	LABEL, CAUTION	1			[A],[CA] (ENGLISH)	0.001	0.0022
110	76530-11420	LABEL, CAUTION	1			[CA] (FRENCH)	0.001	0.0022
120	76539-41190	LABEL, CUTTING HEIGHT	1			[A],[CA] (ENGLISH)	0.005	0.011
120	76568-11490	LABEL, CUTTING HEIGHT	1			[CA] (FRENCH)	0.003	0.0066
130	76539-61260	LABEL, PTO	1			[A],[CA] (ENGLISH)	0.005	0.011
130	76550-11260	LABEL, PTO	1			[CA] (FRENCH)	0.001	0.0022
140	99999-99999	NAME PLATE, M/FORM	1			NON SALE	0	0

WHEEL



230 76539-4412-0



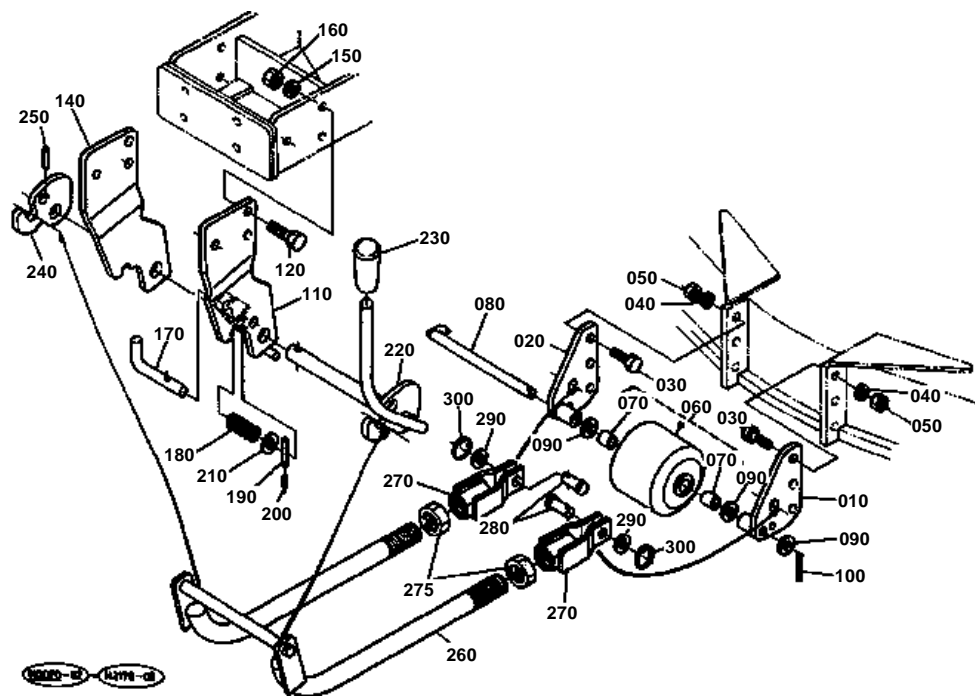


WHEEL

↔ Interchangeable; ≠ not interchangeable; ← new for old; → old for new

REF.No	Part No.	Description	Q'ty	S.No.	I/C	REMARKS	Weight (kgf)	Weight (lb)
010	76521-42110	FRONT WHEEL	4				1.8	3.96
020	70722-44190	BUSH	8				0.041	0.0902
030	99999-99999	BLANK	0				0	0
040	99999-99999	BLANK	0				0	0
050	76521-42150	STAY,FRONT WHEEL LH	1				1.23	2.706
060	76539-42160	STAY,LH	1				1.2	2.64
070	76521-42170	STAY,FRONT WHEEL RH	2				1.23	2.706
080	70722-42190	BUSH	8				0.045	0.099
090	06613-10675	NIPPLE,GREASE	4				0.003	0.0066
100	06613-10675	NIPPLE,GREASE	4				0.003	0.0066
110	04013-50200	WASHER,PLAIN	8				0.02	0.044
120	70722-42140	COLLAR	4				0.035	0.077
130	05511-50540	PIN,SPLIT	4				0.009	0.0198
140	76539-43110	SHAFT,WHEEL	3				2.75	6.05
150	76539-43140	SHAFT,REAR WHEEL	1				0.9	1.98
160	04011-50100	WASHER,PLAIN	1				0.002	0.0044
170	01173-51025	BOLT	1				0.021	0.0462
180	02118-50100	NUT	1				0.005	0.011
190	04512-50100	WASHER,SPRING	1				0	0
200	70722-43130	COLLAR,FRONT WHEEL	4				0.015	0.033
210	04612-00300	CIR CLIP,EXTERNAL	4				0.003	0.0066
220	76529-44090	STAY,WHEEL LH	1				3.2	7.04
230	76529-44080	ASSY STAY,WHEEL	1				1.68	3.696
235	76529-44150	LABEL, TOP	1				0.001	0.0022
240	01173-51245	BOLT	1				0.049	0.1078
250	02174-50120	NUT	1				0.01	0.022
260	04512-50120	WASHER,SPRING	1				0	0
270	76529-44142	STAY,WHEEL RH	1				4.1	9.02
280	01173-51270	BOLT	8				0.067	0.1474
290	04512-50120	WASHER,SPRING	8				0	0
300	02176-50120	NUT	8				0.01	0.022
310	05122-51050	PIN,JOINT	4				0.032	0.0704
320	76550-42190	RING,SNAP	4				0.004	0.0088

LINKAGE



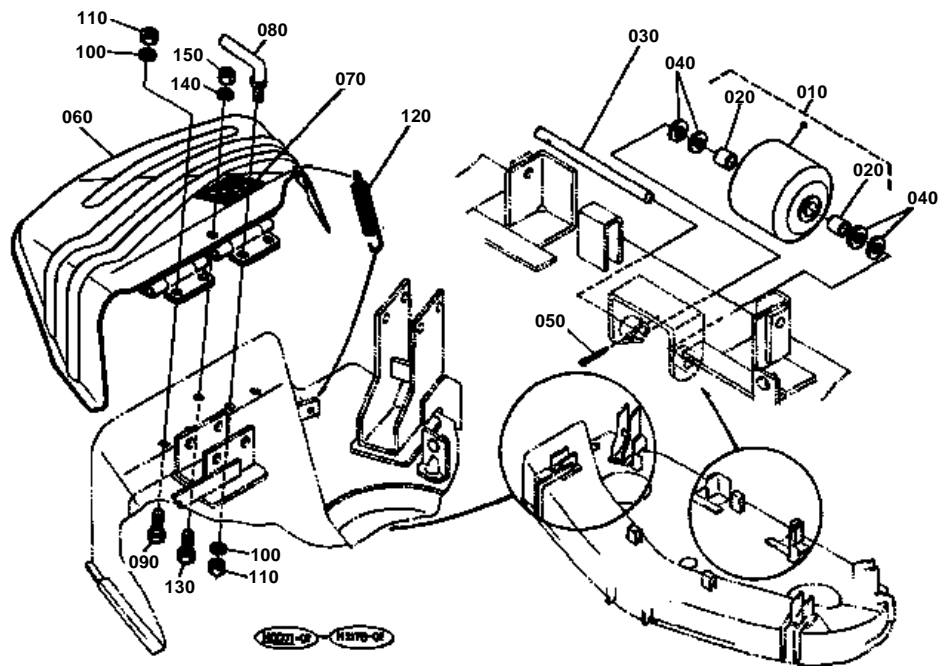


LINKAGE

↔ Interchangeable; ≠ not interchangeable; ← new for old; → old for new

REF.No	Part No.	Description	Q'ty	S.No.	I/C	REMARKS	Weight (kgf)	Weight (lb)
010	76539-44813	BRACKET,LH	1				0.5	1.1
020	76539-44823	BRACKET,RH	1				0.5	1.1
030	01173-51030	BOLT	6				0.023	0.0506
040	04512-50100	WASHER,SPRING	6				0	0
050	02118-50100	NUT	6				0.005	0.011
060	76543-46250	ASSY ROLLER,ANTI-SCA	1				0	0
070	08511-01220	BUSH	2				0.004	0.0088
080	76539-46180	PIN,GAUGE WHEEL	1				0.17	0.374
090	04011-50120	WASHER,PLAIN	3				0.005	0.011
100	05511-50425	PIN,SPLIT	1				0.003	0.0066
110	76518-44510	STAY,LH	1				1.8	3.96
120	01173-51235	BOLT	6				0.04	0.088
130	99999-99999	BLANK	0				0	0
140	76518-44520	STAY	1				1.7	3.74
150	04512-50120	WASHER,SPRING	6				0	0
160	02176-50120	NUT	6				0.01	0.022
170	76539-44540	PIN,HINGE	1				0.15	0.33
180	76539-44560	SPRING,HINGE PIN	1				0.005	0.011
190	05411-00540	PIN,SPRING	1				0.004	0.0088
200	05411-00320	PIN,SPRING	1				0.001	0.0022
210	04011-50140	WASHER,PLAIN	1				0.007	0.0154
220	76539-44580	LEVER,LINK FULCRUM	1				1.3	2.86
230	06914-00120	GRIP,LEVER	1				0.018	0.0396
240	76539-44590	HOLDER,LINK	1				0.335	0.737
250	05411-00630	PIN,SPRING	1				0.004	0.0088
260	76539-44610	LINK,FRONT	1				3.91	8.602
270	76539-44630	LINK,FRONT	2				0.43	0.946
275	76539-44660	NUT,LOCK	2	>=30211			0.045	0.099
280	05122-51430	PIN,JOINT	2				0.042	0.0924
290	04011-50140	WASHER,PLAIN	2				0.007	0.0154
300	70712-51140	RING,SNAP	2				0.009	0.0198

DISCHARGE COVER



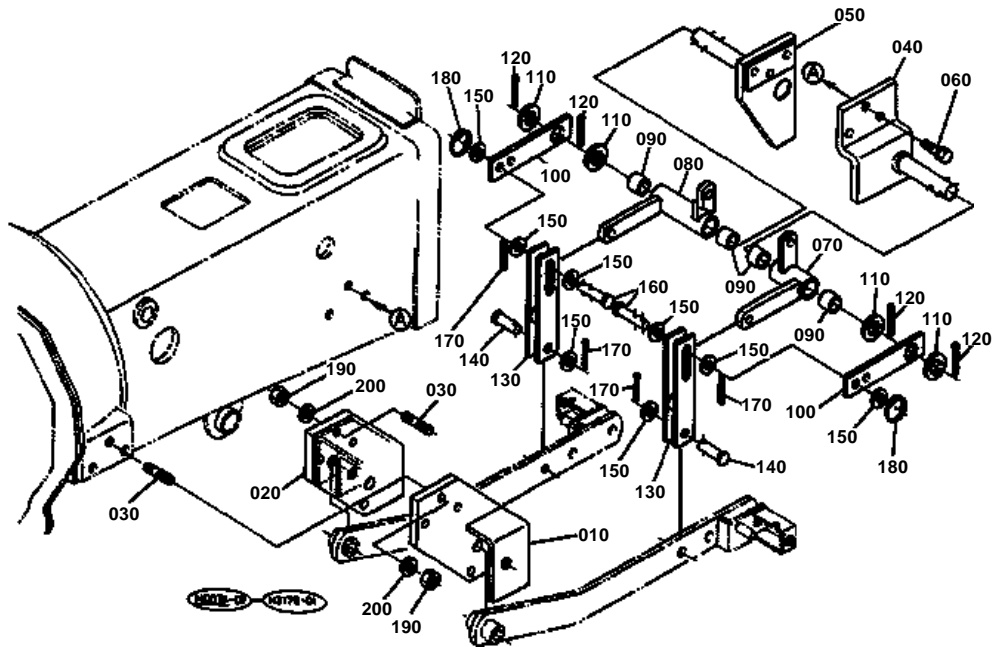


DISCHARGE COVER

↔ Interchangeable; ≠ not interchangeable; ← new for old; → old for new

REF.No	Part No.	Description	Q'ty	S.No.	I/C	REMARKS	Weight (kgf)	Weight (lb)
010	76507-46250	ASSY ROLL.ANTI-SCALP	1				0.28	0.616
020	08511-01220	BUSH	2				0.004	0.0088
030	76505-46182	PIN,GAUGE WHEEL	1				0.22	0.484
040	04011-50120	WASHER,PLAIN	4				0.005	0.011
050	05511-50530	PIN,SPLIT	1				0.006	0.0132
060	76539-47115	COVER,CHUTE	1				4.5	9.9
070	70712-47142	LABEL,CAUTION	1			[A],[CA] (ENGLISH)	0.001	0.0022
070	76530-11480	LABEL,CAUTION	1			[CA] (FRENCH)	0.005	0.011
080	70721-47130	STOPPER,CHUTE	1				0.05	0.11
090	01173-51025	BOLT	3				0.021	0.0462
100	04512-50100	WASHER,SPRING	4				0	0
110	02118-50100	NUT	4				0.005	0.011
120	70722-47120	SPRING	1				0.06	0.132
130	01173-51025	BOLT	1				0.021	0.0462
140	04512-50100	WASHER,SPRING	1				0	0
150	02118-50100	NUT	1				0.005	0.011

LIFT LINKAGE

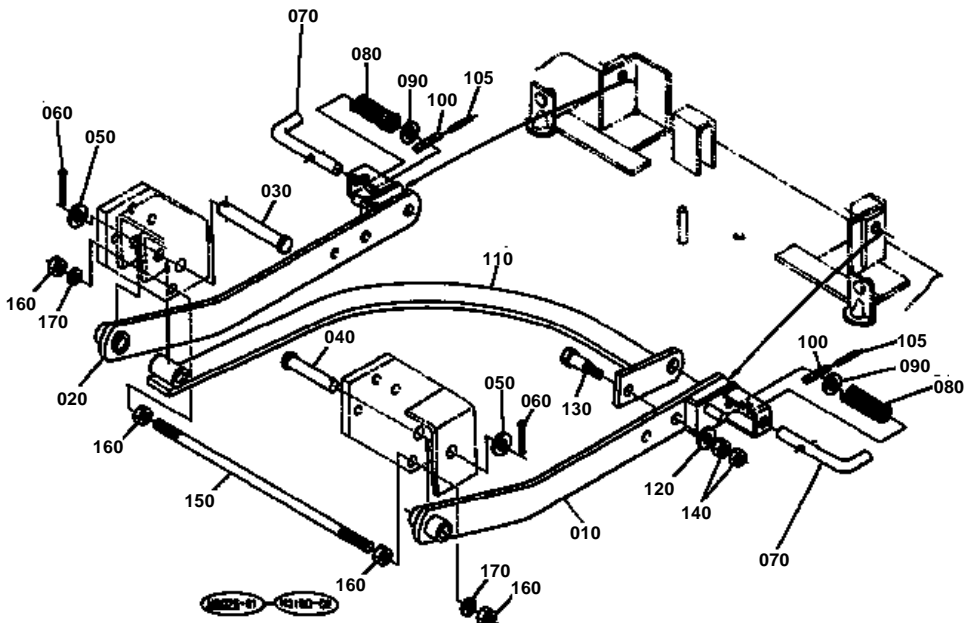


**LIFT LINKAGE**

↔ Interchangeable; ≠ not interchangeable; ← new for old; → old for new

REF.No	Part No.	Description	Q'ty	S.No.	I/C	REMARKS	Weight (kgf)	Weight (lb)
010	76518-51110	STAY,FRONT LH	1				2.2	4.84
020	76518-51130	STAY,FRONT RH	1				2.4	5.28
030	01517-51030	STUD	6				0	0
040	76518-51150	STAY,REAR LH	1				1.64	3.608
050	76518-51170	STAY,REAR RH	1				1.75	3.85
060	01133-51035	BOLT	6				0.03	0.066
070	76539-51190	FULCRUM,LIFT LH	1				0.52	1.144
080	76518-51210	FULCRUM,LIFT RH	1				0.65	1.43
090	08511-02020	BUSH	4				0.01	0.022
100	76539-51230	SUPPORT	2				0.18	0.396
110	04011-50200	WASHER,PLAIN	4				0.015	0.033
120	05511-50530	PIN,SPLIT	4				0.006	0.0132
130	76518-51250	LINK,LIFT	2				0.4	0.88
140	05122-51235	PIN,JOINT	2				0.034	0.0748
150	04013-50120	WASHER,PLAIN	8				0	0
160	76539-51270	PIN,JOINT	2				0.05	0.11
170	05511-50425	PIN,SPLIT	4				0.003	0.0066
180	76550-42190	RING,SNAP	2				0.004	0.0088
190	02118-50100	NUT	6				0.005	0.011
200	04512-50100	WASHER,SPRING	6				0	0

REAR LINKAGE

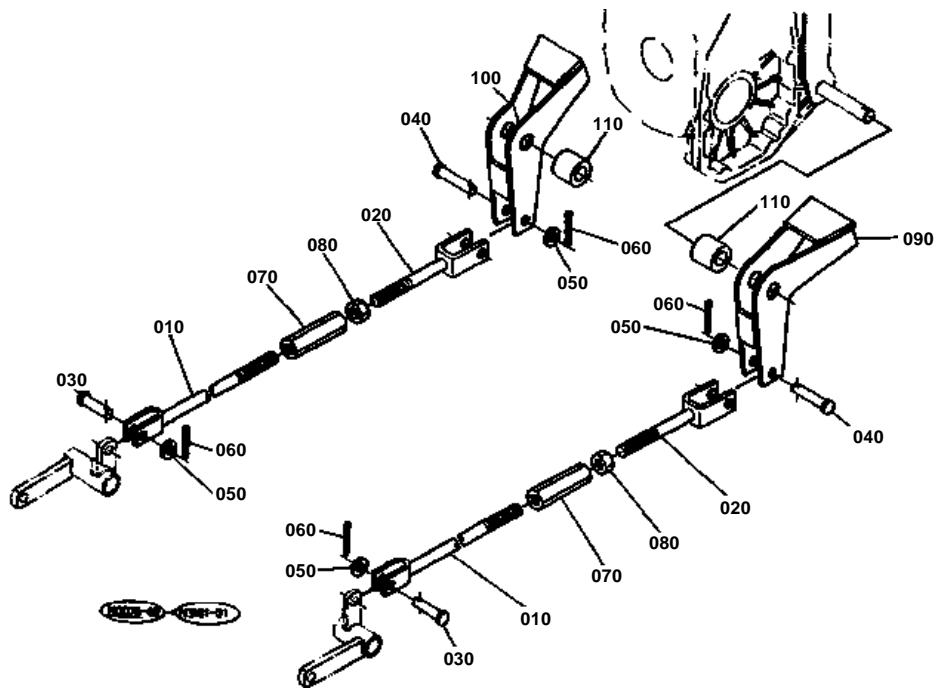


**REAR LINKAGE**

↔ Interchangeable; ≠ not interchangeable; ← new for old; → old for new

REF.No	Part No.	Description	Q'ty	S.No.	I/C	REMARKS	Weight (kgf)	Weight (lb)
010	76539-51290	LINK,REAR LH	1				1.91	4.202
020	76539-51310	LINK,REAR RH	1				1.9	4.18
030	76539-51350	PIN,JOINT	1				0.17	0.374
040	05122-51675	PIN,JOINT	1				0.128	0.2816
050	04011-50160	WASHER,PLAIN	2				0	0
060	05511-50430	PIN,SPLIT	2				0.004	0.0088
070	76539-44650	PIN,HINGE	2				0.19	0.418
080	76539-44670	SPRING,HINGE PIN	2				0.01	0.022
090	04011-50140	WASHER,PLAIN	2				0.007	0.0154
100	05411-00540	PIN,SPRING	2				0.004	0.0088
105	05411-00332	PIN,SPRING	2	>=30211			0.001	0.0022
110	76539-44690	LINK	1				2.4	5.28
120	04011-50140	WASHER,PLAIN	1				0.007	0.0154
130	76539-44700	BOLT	1				0.07	0.154
140	02172-50120	NUT	2				0.01	0.022
150	76518-44530	BAR	1				0.28	0.616
160	02172-50120	NUT	4				0.01	0.022
170	04512-50120	WASHER,SPRING	2				0	0

LIFT ARM



**LIFT ARM**

↔ Interchangeable; ≠ not interchangeable; ← new for old; → old for new

REF.No	Part No.	Description	Q'ty	S.No.	I/C	REMARKS	Weight (kgf)	Weight (lb)
010	76530-61130	ROD	2				0.41	0.902
020	70723-61150	ROD	2				0.18	0.396
030	05122-51230	PIN,JOINT	2				0.029	0.0638
040	05122-51260	PIN,JOINT	2				0.055	0.121
050	04011-50120	WASHER,PLAIN	4				0.005	0.011
060	05511-50425	PIN,SPLIT	4				0.003	0.0066
070	37720-28980	TURNBUCKLE	2				0.099	0.2178
080	02174-50120	NUT	2				0.01	0.022
090	76521-61172	ARM,LIFT LH	1				1.2	2.64
100	76530-61170	ARM,LIFT RH	1				1.25	2.75
110	76539-61180	COLLAR	2				0.03	0.066

IMAGE NOT AVAILABLE

↔ Interchangeable; ≠ not interchangeable; ← new for old; → old for new

REF.No	Part No.	Description	Q'ty	S.No.	I/C	REMARKS	Weight (kgf)	Weight (lb)
010	76518-71110	MANUAL,INSTRUCTION	1	<=30210		[A] (ENGLISH)	0	0
010	76518-71114	MANUAL,INSTRUCTION	1	>=30211	←	[A],[CA] (ENGLISH)	0	0
010	76518-71150	MANUAL,INSTRUCTION	1			[CA] (FRENCH)	0.08	0.176
020	70723-71130	BOLT	2				0.025	0.055
030	76529-99000	KIT BLADE	1			REF.No.040	4.38	9.636
040	76529-34330	BLADE	3				1.45	3.19