

Instructions for Parts Books

The heading at the top of the page will be the same for the picture of the parts as it is for the page with the part numbers.

Definition of column headings on part number pages:

REF.No → The number referring to the part on the picture page of the parts book.

Part No. → The number assigned to this part at the time of printing the parts book.

Description → Description of part.

Q'ty → Quantity of part used on that page.

S.No. → Serial number range of the equipment that this part will fit.

>= Your serial number should be greater than or equal to the number shown.

<= Your serial number should be lesser than or equal to the serial number shown.

I/C → Interchangeability of part shown.

↔ The part shown will work for the older and later serial number.

The part shown is not interchangeable with the other serial number.

← new for old

→ old for new

Remarks → Notes about this particular part. Sometimes this may say except [FR] or [CA]

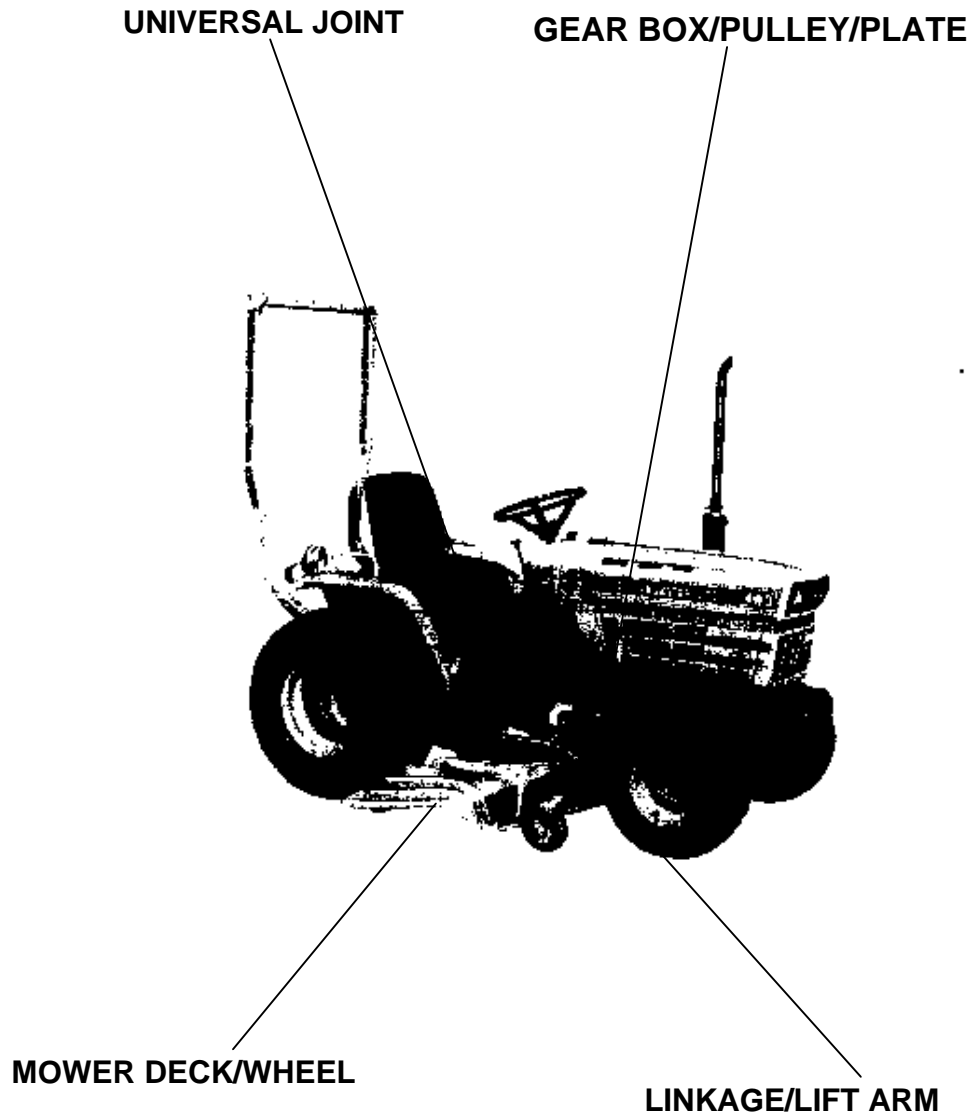
Note about Country Codes:

The parts books we use in the United States of America may also contain information about a part that would be different in another country. It is important that you are aware of the country codes in some instances.

Symbol	Country
A	United States of America
CA	Canada
FR	France
GR	Greece
PO	Portugal
AU	Australia

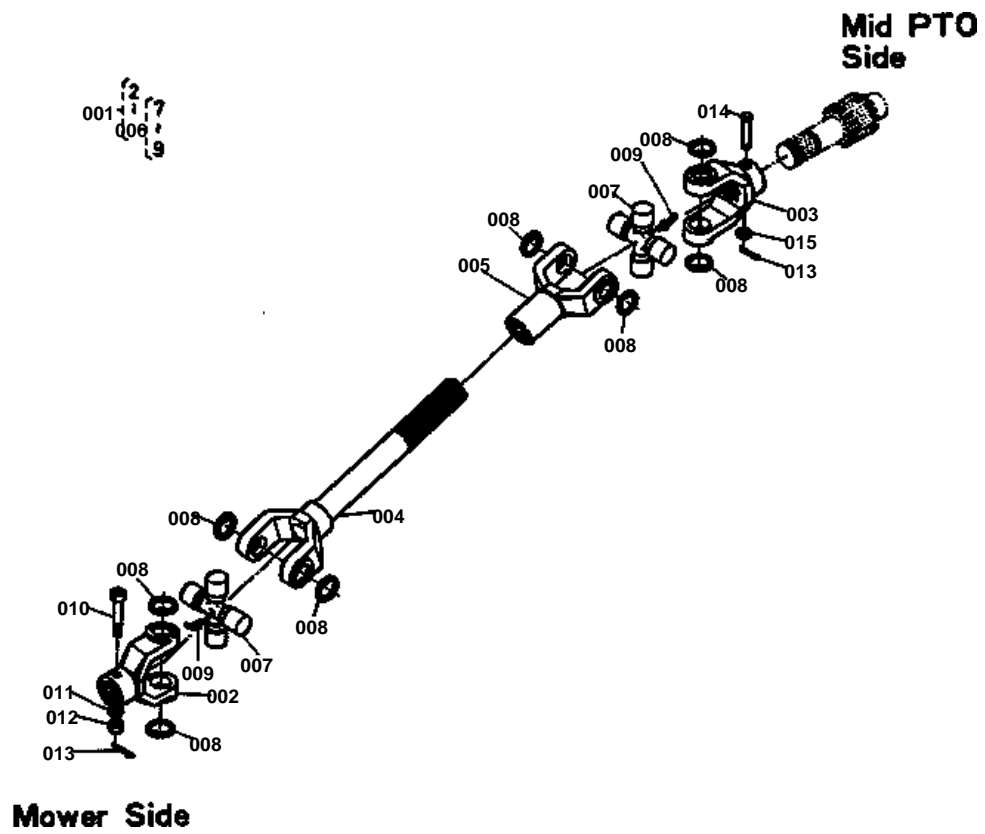
If the remarks column says for example EXCEPT [FR] this part works in all countries except France. That means it will work here in the USA.

ALL PRODUCT INDEX
RC60-72H



Item	Part No.	Description	Book
UNIVERSAL JOINT	011001	JOINT	100K0269
GEAR BOX/PULLEY/PLATE	011002	GEAR BOX	100K0269
	01100302	SPINDLE	100K0269
MOWER DECK/WHEEL	01100402	DECK	100K0269
	011005	REAR WHEEL	100K0269
LINKAGE/LIFT ARM	011006	MAIN STAY	100K0269
ACCESSORIES	011007	ACCESSORIES AND SERVICE PARTS	100K0269

JOINT



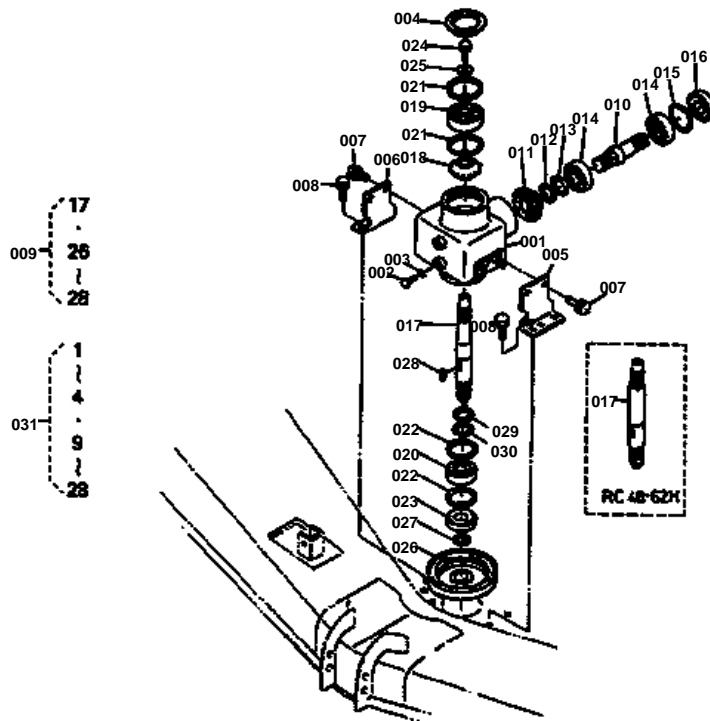


JOINT

↔ Interchangeable; ≠ not interchangeable; ← new for old; → old for new

REF.No	Part No.	Description	Q'ty	S.No.	I/C	REMARKS	Weight (kgf)	Weight (lb)
001	76530-32010	ASSY JOINT,UNIVERSAL	1			REF.No.002 TO 006	2.98	6.556
002	70720-31116	JOINT,PTO	1				0.34	0.748
003	70720-31122	JOINT,PTO 2	1				0.35	0.77
004	76530-31140	JOINT 4	1				1	2.2
005	76530-31170	JOINT 2	1				0.8	1.76
006	70720-32110	ASSY JOINT,CROSS	2			REF.No.007 TO 009	0.2	0.44
007	70720-31182	JOINT,CROSS	2				0.21	0.462
008	70720-32120	RING,SNAP	8				0.001	0.0022
009	70720-31212	NIPPLE,GREASE	2				0.006	0.0132
010	70720-31202	BOLT,FIXED	1				0.02	0.044
011	04512-50080	WASHER,SPRING	1				0.001	0.0022
012	02356-50080	NUT	1				0.004	0.0088
013	05511-50218	PIN,SPLIT	2				0.001	0.0022
014	05122-50845	PIN,JOINT	1				0.018	0.0396
015	04012-50080	WASHER,PLAIN	1				0.001	0.0022

GEAR BOX

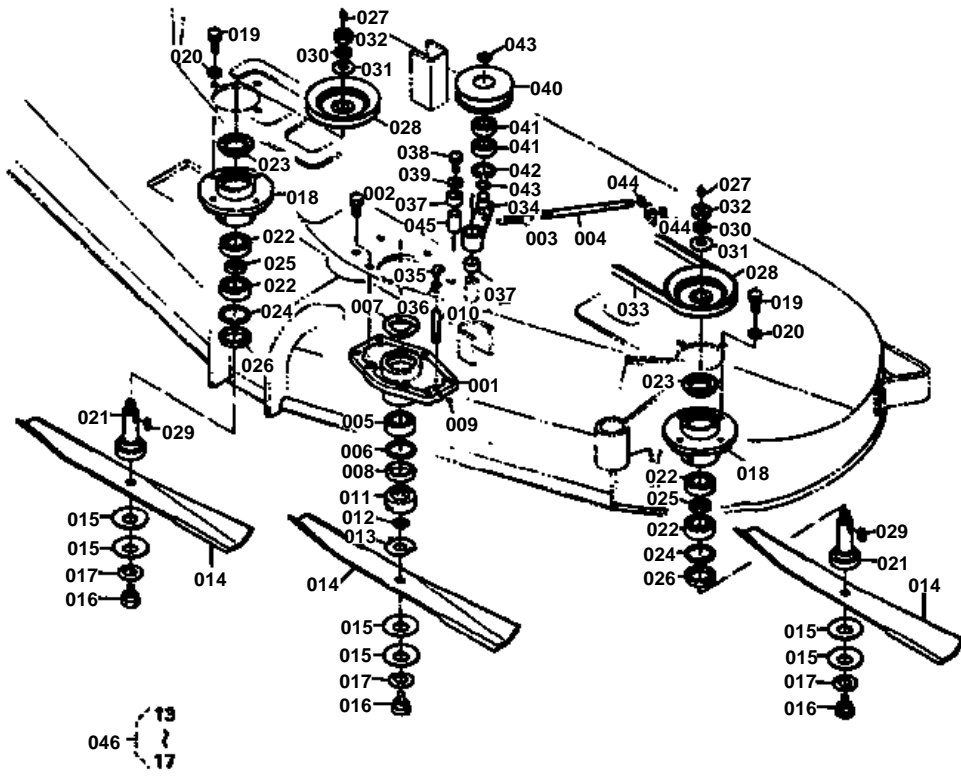


**GEAR BOX**

↔ Interchangeable; ≠ not interchangeable; ← new for old; → old for new

REF.No	Part No.	Description	Q'ty	S.No.	I/C	REMARKS	Weight (kgf)	Weight (lb)
001	70723-33110	CASE,BEVEL	1				0	0
002	01173-51014	BOLT	2				0.015	0.033
003	04717-01000	WASHER,SEAL	2				0.001	0.0022
004	79163-32130	PLUG,BLIND	1				0.05	0.11
005	70722-33130	STAY,BEVEL CASE LH	1				0	0
006	70722-33150	STAY,BEVEL CASE RH	1				0	0
007	01133-51222	BOLT	4				0	0
008	01133-51230	BOLT	4				0.04	0.088
009	70723-99040	ASSY PULLEY, CENTER	1	≤14727		REF.No.017,026 TO 028	1.2	2.64
009	70712-99750	ASSY PULLEY, CENTER	1	≥14728	←	REF.No.017,026 TO 028	0.7	1.54
010	70722-33310	SHAFT,PINION	1				0.46	1.012
011	70723-33330	GEAR,BEVEL 19	1				0.25	0.55
012	70720-33350	SHIM 1	1				0.001	0.0022
013	70720-33360	SHIM 2	1				0.001	0.0022
014	08101-06205	BEARING,BALL	2				0.14	0.308
015	04611-00520	CIR-CLIP,INTERNAL	1				0.009	0.0198
016	09502-55210	SEAL,OIL	1				0.025	0.055
017	99999-99999	BLANK	0			ORDER BY REF.No.009	0	0
017	99999-99999	BLANK	0			ORDER BY REF.No.009	0	0
018	70723-33533	GEAR,BEVEL 16	1				0.051	0.1122
019	08101-06403	BEARING,BALL	1				0.27	0.594
020	08101-06205	BEARING,BALL	1				0.14	0.308
021	04611-00620	CIR-CLIP,INTERNAL	2				0.011	0.0242
022	04611-00520	CIR-CLIP,INTERNAL	2				0.009	0.0198
023	09502-55210	SEAL,OIL	1				0.025	0.055
024	01123-50818	BOLT	1				0.012	0.0264
025	04015-50080	WASHER,PLAIN	1				0	0
026	99999-99999	BLANK	0			ORDER BY REF.No.009	0	0
027	04612-00250	CIR-CLIP,EXTERNAL	1				0.002	0.0044
028	05712-00728	KEY,FEATHER	1				0.01	0.022
031	76530-99510	ASSY CASE,BEVEL GEAR	1			REF.No.001 TO 004,009 TO 028 SERVICE PAR	6.8	14.96

SPINDLE



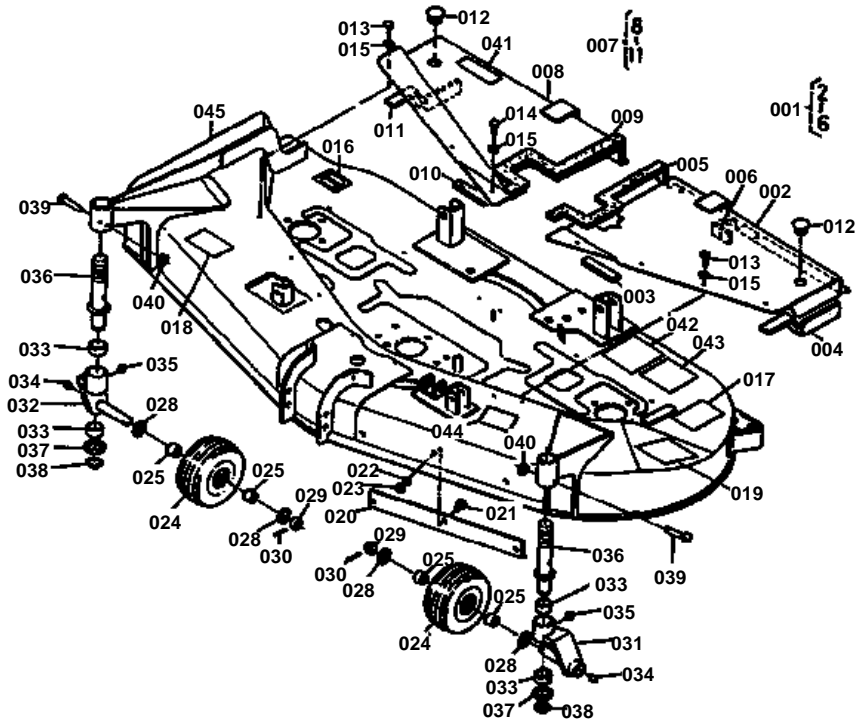
34 70713-3473-0



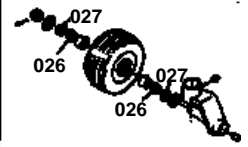
**SPINDLE**

↔ Interchangeable; ≠ not interchangeable; ← new for old; → old for new

REF.No	Part No.	Description	Q'ty	S.No.	I/C	REMARKS	Weight (kgf)	Weight (lb)
001	70722-34110	HOLDER,PULLEY 1	1				2.6	5.72
002	01133-51225	BOLT	3				0.038	0.0836
003	70722-34750	SPRING,TENSION	1				0.15	0.33
004	70722-34770	BOLT	1				0	0
005	08241-05205	BEARING,BALL	1				0.177	0.3894
006	04611-00520	CIR-CLIP,INTERNAL	1				0.009	0.0198
007	70722-34120	SEAL,OIL	1				0.025	0.055
008	70725-34160	SEAL,OIL	1				0	0
009	03410-50606	SCREW	1				0.001	0.0022
010	70722-34130	PIPE,EXTENSION	1				0	0
011	70722-34150	BOSS,BLADE	1				0.352	0.7744
012	04612-00220	CIR-CLIP,EXTERNAL	1				0.001	0.0022
013	70722-34320	PLATE	1				0.02	0.044
014	70722-34330	BLADE	3				0.99	2.178
015	70722-34350	RETAINER,BLADE	6				0.055	0.121
016	70722-34370	BOLT	3				0	0
017	70722-34390	WASHER	3				0.009	0.0198
018	70722-34510	HOLDER,PULLEY 2	2				1.91	4.202
019	01133-51230	BOLT	8				0.04	0.088
020	04013-50120	WASHER,PLAIN	8				0	0
021	70722-34530	SHAFT,BLADE	2				0.52	1.144
022	08111-06205	BEARING,BALL	4				0.13	0.286
023	70722-34120	SEAL,OIL	2				0.025	0.055
024	04611-00520	CIR-CLIP,INTERNAL	2				0.009	0.0198
025	70721-34550	COLLAR 2	2				0.029	0.0638
026	70725-34160	SEAL,OIL	2				0	0
027	06613-10675	NIPPLE,GREASE	2				0.003	0.0066
028	70725-33570	PULLEY	2				0	0
029	05712-00722	KEY,FEATHER	2				0.009	0.0198
030	04512-50160	WASHER,SPRING	2				0	0
031	70721-34560	WASHER,PLAIN	2				0.01	0.022
032	02172-50160	NUT	2				0.017	0.0374
033	70722-34710	BELT 110	1				0.47	1.034
034	70713-34730	ARM,TENSION	1	<=11543			0.39	0.858
034	70712-34730	ARM,TENSION	1	>=11544	≠		0	0
035	66616-34360	NIPPLE,GREASE	1				0	0
036	66616-34390	SHIM,ADJUSTING	1				0.001	0.0022
037	41071-31120	BUSH	2	<=11543			0	0
037	76535-34880	BUSH	2	>=11544	≠		0	0
038	01123-50814	BOLT	1				0	0
039	04015-50080	WASHER,PLAIN	1	<=11543			0	0
039	70712-34790	WASHER,PLAIN	1	>=11544	≠		0.01	0.022
040	70720-69212	PULLEY,TENSION 2	1				0.97	2.134
041	08141-06203	BEARING,BALL	2				0.064	0.1408
042	04611-00400	CIR-CLIP,INTERNAL	1				0.005	0.011
043	04612-00170	CIR-CLIP,EXTERNAL	2				0.001	0.0022
044	02118-50100	NUT	2				0.005	0.011
045	70712-34780	COLLAR,TENSION	1	>=11544			0.11	0.242
046	70722-99650	KIT BLADE	1			REF.No.013 TO 017 SERVICE PARTS	3.5	7.7



26 09220-20284
27 04611-00280

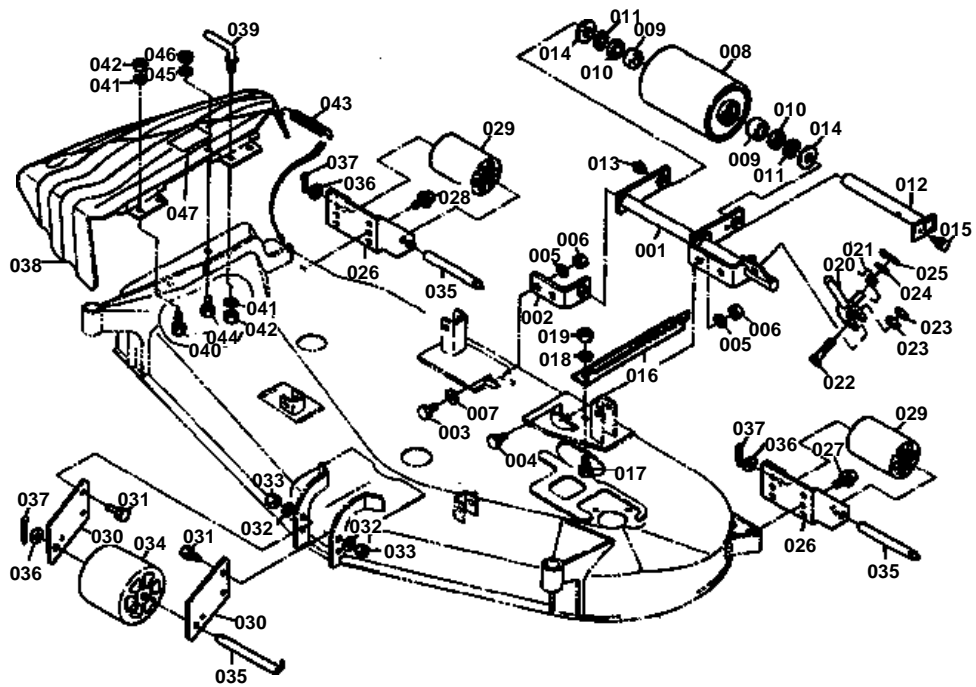


**DECK**

↔ Interchangeable; ≠ not interchangeable; ← new for old; → old for new

REF.No	Part No.	Description	Q'ty	S.No.	I/C	REMARKS	Weight (kgf)	Weight (lb)
001	76530-41130	ASSY COVER,LH	1	<=15733		REF.No.002 TO 006	2	4.4
001	76530-21130	ASSY COVER,LH	1	>=15734	≠	REF.No.002 TO 006	2.1	4.62
002	99999-99999	BLANK	0			ORDER BY REF.No.001	0	0
003	70722-41210	SEAL,DUST 1	1				0.001	0.0022
004	70722-41220	SEAL,DUST 2	1				0.001	0.0022
005	70723-41240	SEAL,DUST 4	1				0.01	0.022
006	70722-41260	SEAL,DUST 6	1				0.02	0.044
007	76530-41150	ASSY COVER,RH	1	<=15733		REF.No.008 TO 011	2.5	5.5
007	76530-21150	ASSY COVER,RH	1	>=15734	≠	REF.No.008 TO 011	2.5	5.5
008	99999-99999	BLANK	0			ORDER BY REF.No.007	0	0
009	70722-41210	SEAL,DUST 1	1				0.001	0.0022
010	70722-41220	SEAL,DUST 2	1				0.001	0.0022
011	70723-41280	SEAL,DUST 8	1				0.005	0.011
012	66204-51160	CAP,BLIND	2				0.007	0.0154
013	01123-50814	BOLT	11				0	0
014	01123-50820	BOLT	4				0.011	0.0242
015	04013-50080	WASHER,PLAIN	15				0	0
016	76530-41170	LABEL,MODEL	1				0	0
017	70720-47153	LABEL,ATTENTION 1	1				0	0
018	70720-41140	LABEL,ATTENTION 2	1				0	0
019	70721-41180	LABEL	1				0.003	0.0066
020	70722-41190	PLATE,FRONT	1				0	0
021	01173-51018	BOLT	3				0.018	0.0396
022	04512-50100	WASHER,SPRING	3				0	0
023	02118-50100	NUT	3				0.005	0.011
024	70722-42110	FRONT WHEEL	2				1.9	4.18
025	70722-44190	BUSH 2	4				0.041	0.0902
026	09220-20284	SEAL,OIL	4	<=15863			0.004	0.0088
027	04611-00280	CIR-CLIP,INTERNAL	4	<=15863			0.002	0.0044
028	04013-50200	WASHER,PLAIN	4				0.02	0.044
029	70722-42140	COLLAR	2				0.035	0.077
030	05511-50540	PIN,SPLIT	2				0.009	0.0198
031	70722-42150	STAY,FRONT WHEEL LH	1				0	0
032	70722-42170	STAY,FRONT WHEEL RH	1				0	0
033	70722-42190	BUSH 1	4				0.045	0.099
034	06613-10010	NIPPLE,GREASE	2				0.006	0.0132
035	06613-10675	NIPPLE,GREASE	2				0.003	0.0066
036	70722-43110	SHAFT,FRONT WHEEL	2				1.15	2.53
037	70722-43130	COLLAR,FRONT WHEEL	2				0.015	0.033
038	04612-00300	CIR-CLIP,EXTERNAL	2				0.003	0.0066
039	05122-51050	PIN,JOINT	2				0.032	0.0704
040	70712-42190	RING,SNAP 2	2				0.002	0.0044
041	36200-98160	MARK,FRONT	1				0.002	0.0044
042	76530-61240	LABEL,ROD	1				0.001	0.0022
043	76530-61260	LABEL,PTO	1				0.001	0.0022
044	70725-34570	LABEL,BLADE	1				0.004	0.0088
045	76530-41160	DECK,MOWER	1	<=15733			0	0
045	76530-21160	DECK,MOWER	1	>=15734	≠		56	123.2

REAR WHEEL



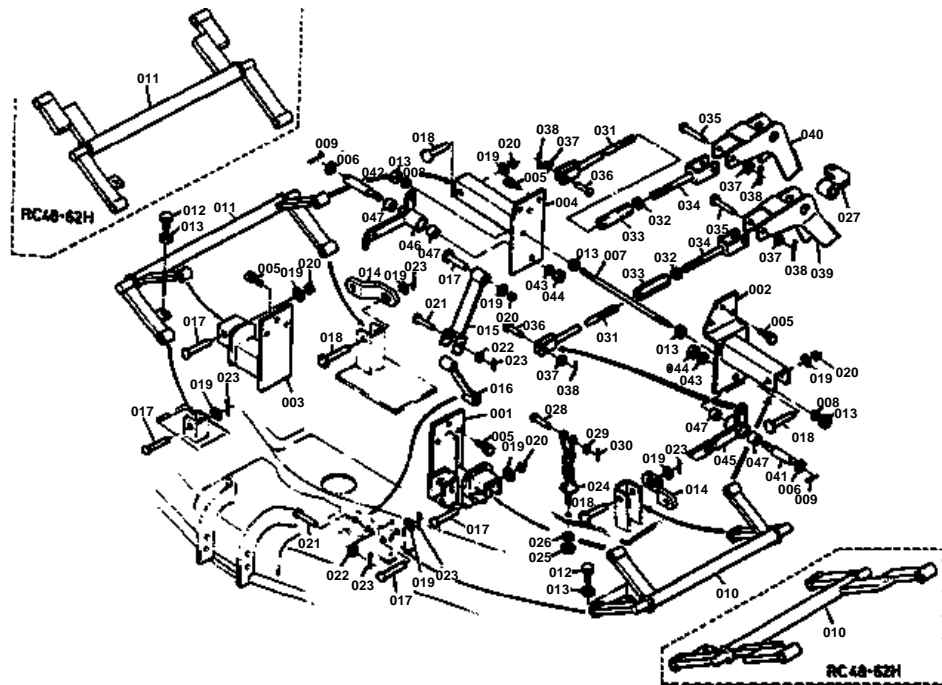


REAR WHEEL

↔ Interchangeable; ≠ not interchangeable; ← new for old; → old for new

REF.No	Part No.	Description	Q'ty	S.No.	I/C	REMARKS	Weight (kgf)	Weight (lb)
001	70723-44110	ARM,REAR WHEEL	1				1.64	3.608
002	70722-44130	BRACKET,REAR WHEEL	1				0	0
003	01173-51022	BOLT	2				0.019	0.0418
004	01173-51028	BOLT	2				0.022	0.0484
005	04512-50100	WASHER,SPRING	4				0	0
006	02118-50100	NUT	4				0.005	0.011
007	04015-50100	WASHER,PLAIN	2				0.016	0.0352
008	70722-44150	REAR,WHEEL	1	≤15844			0	0
008	76543-46160	REAR,WHEEL	1	≥15845	↔		2.1	4.62
009	70722-44190	BUSH 2	2				0.041	0.0902
010	09220-20284	SEAL,OIL	2				0.004	0.0088
011	04611-00280	CIR-CLIP,INTERNAL	2				0.002	0.0044
012	70722-44170	SHAFT,REAR WHEEL	1				0	0
013	06613-10010	NIPPLE,GREASE	1				0.006	0.0132
014	04013-50200	WASHER,PLAIN	2				0.02	0.044
015	01123-50814	BOLT	1				0	0
016	70722-45110	GUIDE,REAR WHEEL	1				0	0
017	01173-51025	BOLT	2				0.021	0.0462
018	04512-50100	WASHER,SPRING	2				0	0
019	02118-50100	NUT	2				0.005	0.011
020	70722-45170	LEVER,REAR WHEEL	1				0.22	0.484
021	70721-45190	SPRING,LEVER	1				0.02	0.044
022	01153-50840	BOLT	1				0.018	0.0396
023	02114-50080	NUT	2				0.005	0.011
024	04012-50080	WASHER,PLAIN	1				0.001	0.0022
025	05511-50215	PIN,SPLIT	1				0.001	0.0022
026	70722-46110	STAY,ROLLER	2				0	0
027	01133-51025	BOLT	2				0.023	0.0506
028	01133-51020	BOLT	2				0.02	0.044
029	70713-46170	GAUGE,WHEEL	2				0	0
030	70722-46130	STAY,FRONT WHEEL	2				0	0
031	01173-51028	BOLT	4				0.022	0.0484
032	04512-50100	WASHER,SPRING	4				0	0
033	02118-50100	NUT	4				0.005	0.011
034	70722-46150	ROLLER,FRONT	1				0	0
035	70720-46183	PIN,GAUGE WHEEL	3				0.125	0.275
036	04011-50120	WASHER,PLAIN	3				0.005	0.011
037	05511-50425	PIN,SPLIT	3				0.003	0.0066
038	70722-47110	COVER	1	≤15733			3.85	8.47
038	76722-27110	COVER	1	≥15734	≠		0	0
039	70721-47130	STOPPER,CHUTE	1				0.05	0.11
040	01173-51020	BOLT	3				0.017	0.0374
041	04512-50100	WASHER,SPRING	4				0	0
042	02118-50100	NUT	4				0.005	0.011
043	70722-47120	SPRING	1				0.06	0.132
044	01173-51025	BOLT	1				0.021	0.0462
045	04512-50100	WASHER,SPRING	1				0	0
046	02118-50100	NUT	1				0.005	0.011
047	70720-47140	LABEL,ATTENTION 3	1				0	0

MAIN STAY





MAIN STAY

↔ Interchangeable; ≠ not interchangeable; ← new for old; → old for new

REF.No	Part No.	Description	Q'ty	S.No.	I/C	REMARKS	Weight (kgf)	Weight (lb)
001	76530-51110	STAY,LH FRONT	1				2.75	6.05
002	76530-51130	STAY,LH REAR	1				2.75	6.05
003	76530-51150	STAY,RH FRONT	1				2.75	6.05
004	76530-51170	STAY,RH REAR	1				2.62	5.764
005	01133-51030	BOLT	12				0.025	0.055
006	04011-50200	WASHER,PLAIN	2				0.015	0.033
007	70723-51180	ROD	1				0.24	0.528
008	04512-50120	WASHER,SPRING	2				0.003	0.0066
009	05511-50530	PIN,SPLIT	2				0.006	0.0132
010	70723-51160	STAY,LIFT LH	1				5	11
011	70723-51190	STAY,LIFT RH	1				5.4	11.88
012	01173-51245	BOLT	2				0.049	0.1078
013	02174-50120	NUT	6				0.01	0.022
014	70723-51223	HOLDER	2				0.22	0.484
015	70720-51270	LINK 1	1				0.41	0.902
016	70722-51290	LINK 2	1				0	0
017	05122-51460	PIN,JOINT	5				0.074	0.1628
018	05122-51480	PIN,JOINT	4				0.09	0.198
019	04011-50140	WASHER,PLAIN	9				0.007	0.0154
020	70712-51140	RING,SNAP	5				0.009	0.0198
021	05122-51260	PIN,JOINT	2				0.055	0.121
022	04011-50120	WASHER,PLAIN	2				0.005	0.011
023	05511-50425	PIN,SPLIT	6				0.003	0.0066
024	76521-61110	ASSY CHAIN	2				0.26	0.572
025	02174-50120	NUT	2				0.01	0.022
026	04512-50120	WASHER,SPRING	2				0.003	0.0066
027	70723-61180	BRACKET,CHECK CHAIN	2				0.29	0.638
028	05122-51035	PIN,JOINT	2				0.023	0.0506
029	04011-50100	WASHER,PLAIN	2				0.002	0.0044
030	05511-50318	PIN,SPLIT	2				0.001	0.0022
031	76530-61130	ROD 1	2				0.41	0.902
032	02174-50120	NUT	2				0.01	0.022
033	37720-28980	TURNBUCKLE	2				0.099	0.2178
034	70723-61150	ROD 2	2				0.18	0.396
035	05122-51260	PIN,JOINT	2				0.055	0.121
036	05122-51230	PIN,JOINT	2				0.029	0.0638
037	04011-50120	WASHER,PLAIN	4				0.005	0.011
038	05511-50420	PIN,SPLIT	4				0.002	0.0044
039	76521-61170	ARM,LIFT LH	1	<=12849			0	0
039	76521-61172	ARM,LIFT LH	1	>=12850	←		1.2	2.64
040	76530-61170	ARM,LIFT RH	1				1.25	2.75
041	70723-61190	SHAFT,LH	1				0.165	0.363
042	70723-61210	SHAFT,RH	1				0.21	0.462
043	04512-50160	WASHER,SPRING	2				0	0
044	02074-50160	NUT	2				0.029	0.0638
045	76530-61230	ROD,LIFT LH	1				0.44	0.968
046	76530-61250	ROD,LIFT RH	1				0.5	1.1
047	70723-61270	BUSH 3	4				0	0

IMAGE NOT AVAILABLE

**ACCESSORIES AND SERVICE PARTS**

↔ Interchangeable; ≠ not interchangeable; ← new for old; → old for new

REF.No	Part No.	Description	Q'ty	S.No.	I/C	REMARKS	Weight (kgf)	Weight (lb)
001	76530-71110	MANUAL,INSTRUCTION	1				0	0
007	70723-99000	KIT SEAL,DUST	1			REF.No.008 TO 012	0.04	0.088
008	70722-41210	SEAL,DUST 1	2				0.001	0.0022
009	70722-41220	SEAL,DUST 2	2				0.001	0.0022
010	70723-41240	SEAL,DUST 4	1				0.01	0.022
011	70722-41260	SEAL,DUST 6	1				0.02	0.044
012	70723-41280	SEAL,DUST 8	1				0.005	0.011
013	70722-99010	KIT BLADE	1			REF.No.014	0	0
014	70722-34330	BLADE	3				0.99	2.178
015	70722-99030	KIT BLADE,L/SUCTION	1			REF.No.016	0	0
016	70722-99020	BLADE,LOW SUCTION	3				0.95	2.09