

# Instructions for Parts Books

The heading at the top of the page will be the same for the picture of the parts as it is for the page with the part numbers.

Definition of column headings on part number pages:

**REF.No** → The number referring to the part on the picture page of the parts book.

**Part No.** → The number assigned to this part at the time of printing the parts book.

**Description** → Description of part.

**Q'ty** → Quantity of part used on that page.

**S.No.** → Serial number range of the equipment that this part will fit.

>= Your serial number should be greater than or equal to the number shown.

<= Your serial number should be lesser than or equal to the serial number shown.

**I/C** → Interchangeability of part shown.

↔ The part shown will work for the older and later serial number.

# The part shown is not interchangeable with the other serial number.

← new for old

→ old for new

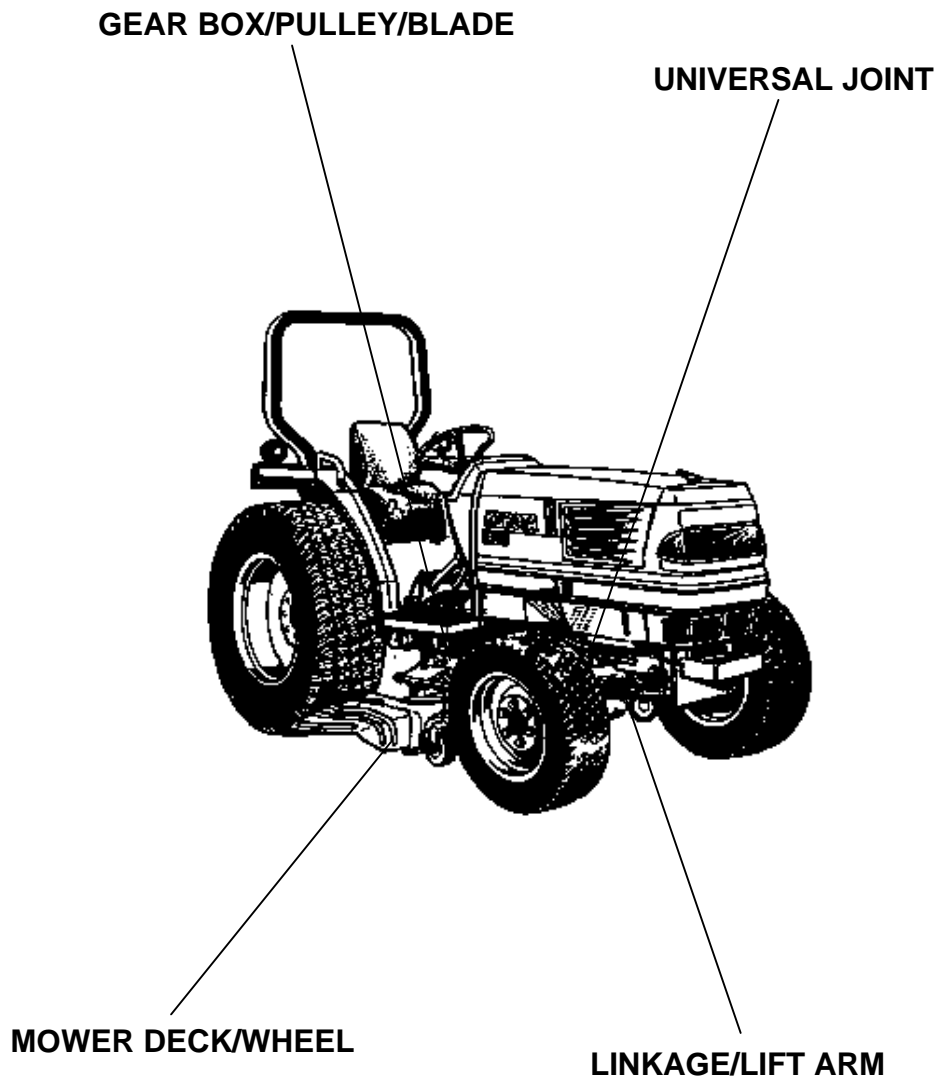
**Remarks** → Notes about this particular part. Sometimes this may say except [FR] or [CA]

## Note about Country Codes:

The parts books we use in the United States of America may also contain information about a part that would be different in another country. It is important that you are aware of the country codes in some instances.

Symbol	Country
A	United States of America
CA	Canada
FR	France
GR	Greece
PO	Portugal
AU	Australia

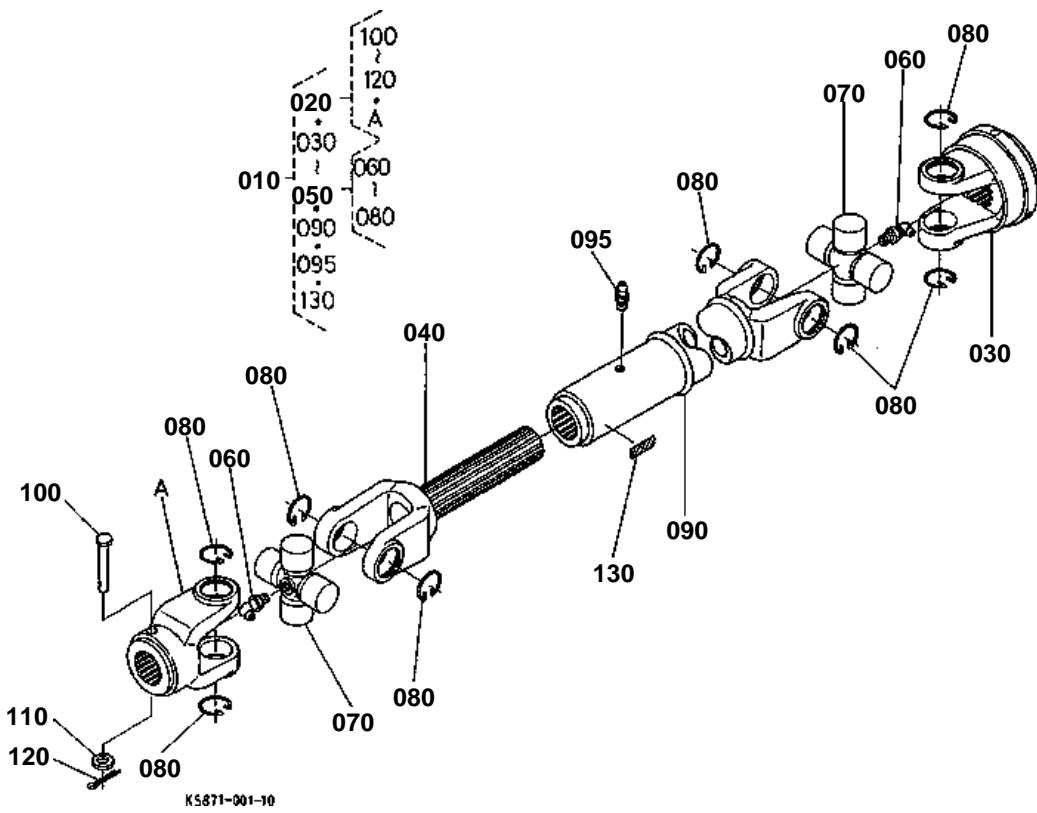
If the remarks column says for example EXCEPT [FR] this part works in all countries except France. That means it will work here in the USA.



ACCESSORIES

Item	Part No.	Description	Book
UNIVERSAL JOINT	01M01-2	UNIVERSAL JOINT	100A0033
GEAR BOX/PULLEY/BLADE	01M02	GEAR BOX/CENTER PULLEY	100A0033
	01M03	PULLEY HOLDER	100A0033
	01M04	BLADE/SIDE PULLEY	100A0033
	01M05	TENSION PULLEY	100A0033
MOWER DECK/WHEEL	01M06	MOWER DECK	100A0033
	01M07	FRONT WHEEL	100A0033
	01M08	REAR WHEEL	100A0033
	01M09	ROLLER/DISCHARGE DEFLECTOR	100A0033
LINKAGE/LIFT ARM	01M10	LIFT LINKAGE	100A0033
	01M11	MOWER LINK STAY	100A0033
	01M12	LIFT ARM	100A0033
	01M13	CLUTCH DUMPER	100A0033
ACCESSORIES	01M14	ACCESSORIES AND SERVICE PARTS	100A0033

# UNIVERSAL JOINT



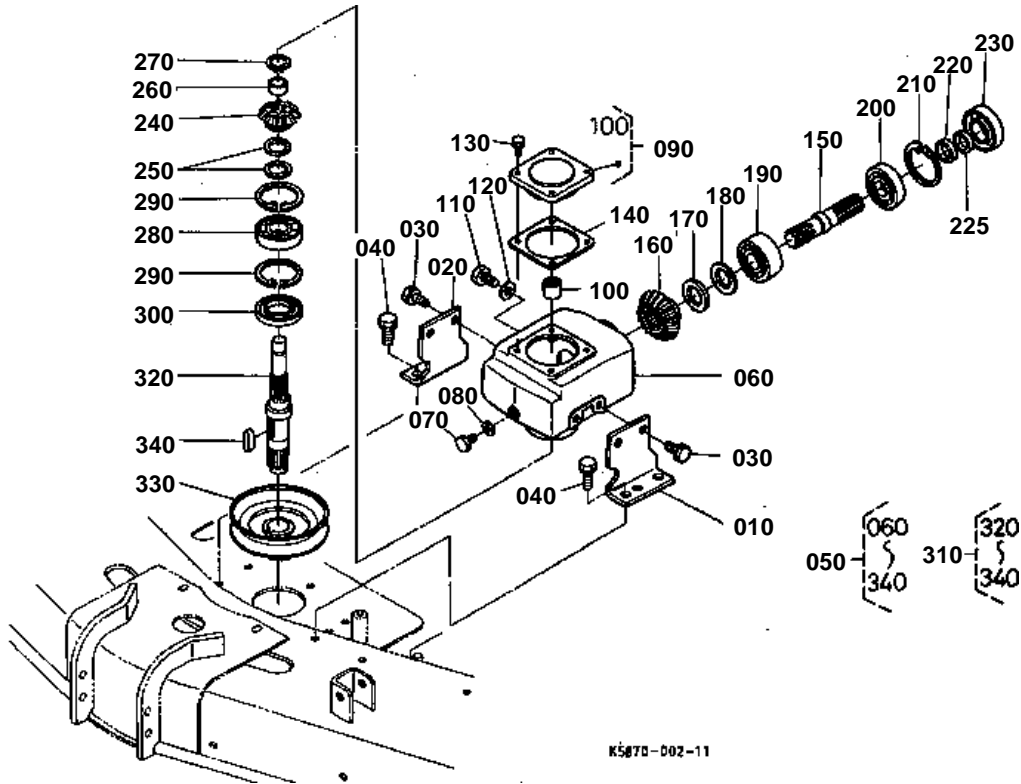


# UNIVERSAL JOINT

↔ Interchangeable; ≠ not interchangeable; ← new for old; → old for new

REF.No	Part No.	Description	Q'ty	S.No.	I/C	REMARKS	Weight (kgf)	Weight (lb)
010	76543-98070	KIT JOINT UNIVERSAL	1				1.796	3.9512
020	70722-98140	YOKE PTO	1				0.05	0.11
030	76543-31140	ASSY AS YOKE	1				0.37	0.814
040	76543-31150	YOKE SHAFT	1				1.3	2.86
050	70720-32110	ASSY JOINT CROSS	2				0.2	0.44
060	70720-31212	NIPPLE GREASE	2				0.006	0.0132
070	70720-31182	JOINT CROSS	2				0.21	0.462
080	70720-32120	RING SNAP	8				0.001	0.0022
090	76543-31170	YOKE SLEEVE	1				1.1	2.42
095	06613-10675	NIPPLE GREASE	1				0.003	0.0066
100	05122-50845	PIN JOINT	1				0.018	0.0396
110	04012-50080	WASHER PLAIN	1				0.001	0.0022
120	05511-50218	PIN SPLIT	1				0.001	0.0022
130	76550-31150	MARK	1				0.001	0.0022

GEAR BOX/CENTER PULLEY



K5870-002-11

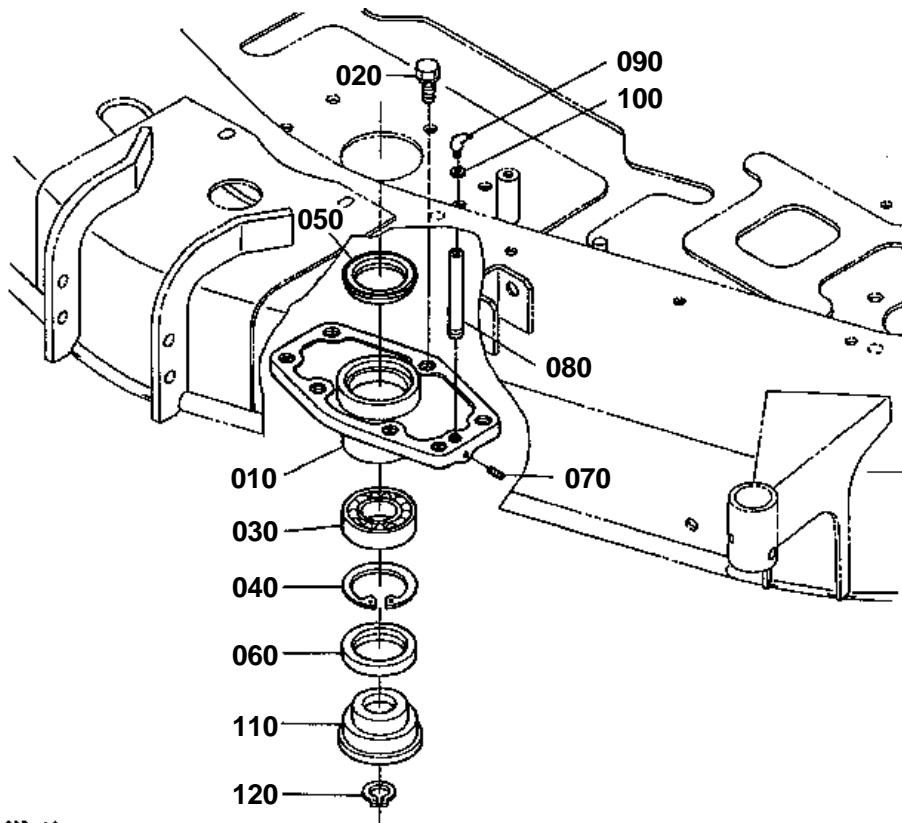


## GEAR BOX/CENTER PULLEY

↔ Interchangeable; ≠ not interchangeable; ← new for old; → old for new

REF.No	Part No.	Description	Q'ty	S.No.	I/C	REMARKS	Weight (kgf)	Weight (lb)
010	76538-33130	STAY BEVEL CASE LH	1				0.35	0.77
020	76538-33150	STAY BEVEL CASE RH	1				0.34	0.748
030	01133-61222	BOLT	4				0.035	0.077
040	01133-51235	BOLT	4				0.05	0.11
050	76550-99510	ASSY CASE BEVEL GEAR	1				10.03	22.066
060	76550-33110	CASE BEVEL GEAR	1				5.3	11.66
070	01173-51218	BOLT	1				0.028	0.0616
080	04717-01200	WASHER WITH RUBBER	1				0.002	0.0044
090	76550-33100	ASSY COVER BEVELCASE	1				0.51	1.122
100	76550-33580	BEARING NEEDLE	1				0.01	0.022
110	06331-35020	PLUG	1				0.068	0.1496
120	04717-02000	WASHER WITH RUBBER	1				0.004	0.0088
130	01123-60816	BOLT	4				0.01	0.022
140	76550-33142	GASKET	1				0.001	0.0022
150	76550-33310	SHAFT PINION	1				0.525	1.155
160	76550-33330	GEAR BEVEL	1			20T	0.42	0.924
170	70720-33350	SHIM	1			0.2MM	0.001	0.0022
180	70720-33360	SHIM	1			0.3MM	0.001	0.0022
190	08241-05305	BEARING BALL	1				0.358	0.7876
200	08101-06305	BEARING BALL	1				0.23	0.506
210	04611-00620	CIR CLIP INTERNAL	1				0.011	0.0242
220	66591-56420	BUSH	1				0.021	0.0462
225	53961-16120	COLLAR	1				0.01	0.022
230	76535-33530	SEAL OIL	1				0.025	0.055
240	76550-33530	GEAR BEVEL	1			17T	0.31	0.682
250	76550-33350	SHIM	1			0.2MM	0.001	0.0022
250	76550-33360	SHIM	1			0.3MM	0.001	0.0022
260	76550-33560	COLLAR	1				0.012	0.0264
270	04612-00220	CIR CLIP EXTERNAL	1				0.001	0.0022
280	08101-06305	BEARING BALL	1				0.23	0.506
290	04611-00620	CIR CLIP INTERNAL	2				0.011	0.0242
300	76540-34350	SEAL OIL	1				0.03	0.066
310	76550-99040	ASSY PULLEY CENTER	1				2.13	4.686
320	76550-33510	SHAFT BEVEL GEAR	1				0.82	1.804
330	76550-99750	PULLEY	1				1.34	2.948
340	05712-00735	KEY FEATHER	1				0.013	0.0286

# PULLEY HOLDER



K5870-003-10



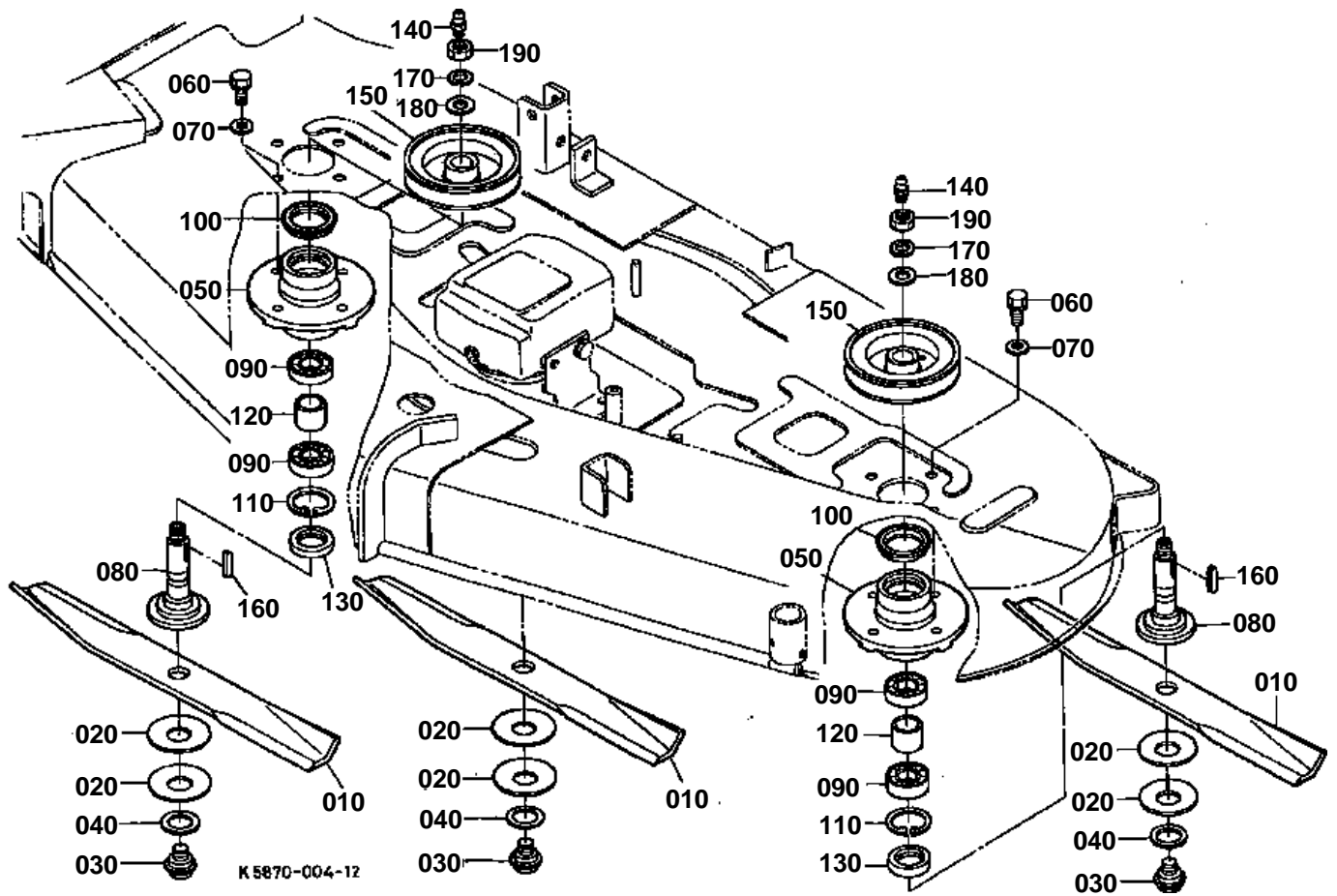


# PULLEY HOLDER

↔ Interchangeable; ≠ not interchangeable; ← new for old; → old for new

REF.No	Part No.	Description	Q'ty	S.No.	I/C	REMARKS	Weight (kgf)	Weight (lb)
010	76550-34110	HOLDER PULLEY	1				2.95	6.49
020	01133-51225	BOLT	3				0.038	0.0836
030	76550-34140	BEARING BALL	1				0.21	0.462
040	04611-00620	CIR CLIP INTERNAL	1				0.011	0.0242
050	76550-34120	SEAL OIL	1				0.027	0.0594
060	76550-34162	SEAL OIL	1				0.03	0.066
070	03410-50606	SCREW SET	1				0.001	0.0022
080	76550-34130	PIPE EXTENSION	1				0.035	0.077
090	67111-44250	NIPPLE GREASE	1				0.005	0.011
100	66616-34390	SHIM ADJUSTING	1				0.001	0.0022
110	76550-34150	BOSS BLADE	1				0.53	1.166
120	04612-00280	CIR CLIP EXTERNAL	1				0.003	0.0066

BLADE/SIDE PULLEY

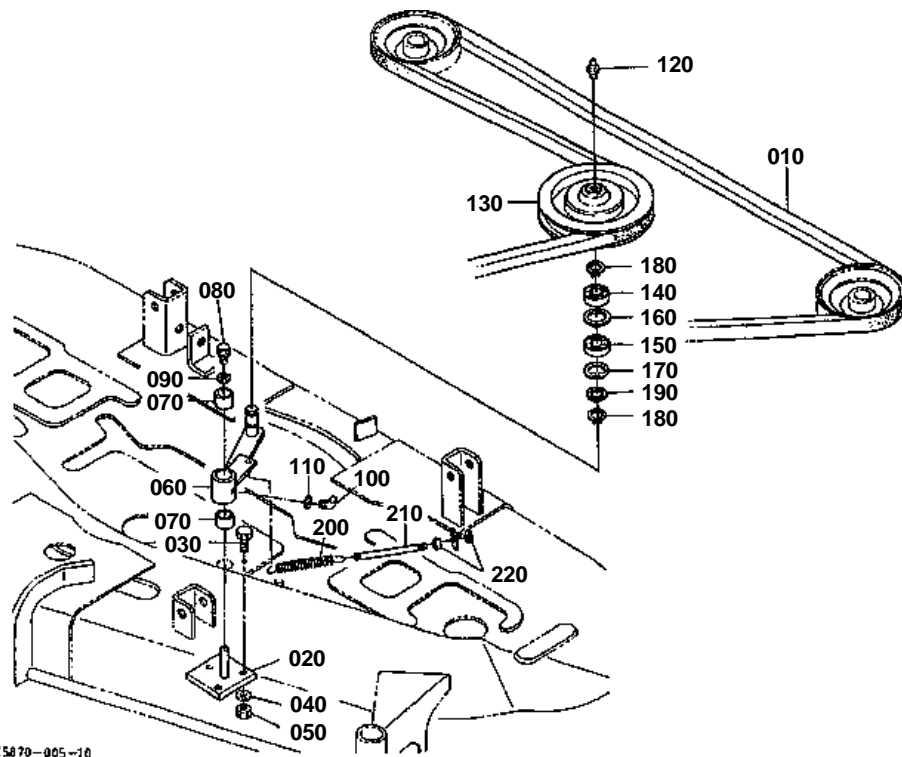


**BLADE/SIDE PULLEY**

↔ Interchangeable; ≠ not interchangeable; ← new for old; → old for new

REF.No	Part No.	Description	Q'ty	S.No.	I/C	REMARKS	Weight (kgf)	Weight (lb)
010	76550-34334	BLADE	3				2	4.4
020	76550-34350	RETAINER BLADE	6				0.075	0.165
030	76550-34373	BOLT LOCKING BLADE	3				0.12	0.264
040	76550-34390	WASHER LOCK	3				0.01	0.022
050	76550-34510	HOLDER PULLEY	2				2.5	5.5
060	01133-51230	BOLT	8				0.04	0.088
070	04015-60120	WASHER PLAIN	8				0.022	0.0484
080	76550-34530	SHAFT BLADE	2				0.74	1.628
090	76550-34540	BEARING BALL	4				0.13	0.286
100	70722-34120	SEAL OIL	2				0.025	0.055
110	04611-00520	CIR CLIP INTERNAL	2				0.009	0.0198
120	76550-34550	PIECE DISTANCE	2				0.1	0.22
130	70725-34162	SEAL OIL	2				0.024	0.0528
140	06613-10675	NIPPLE GREASE	2				0.003	0.0066
150	76544-33590	PULLEY	2				1.72	3.784
160	05712-00728	KEY FEATHER	2				0.01	0.022
170	70725-33600	WASHER SPRING	2				0.015	0.033
180	70721-34560	WASHER PLAIN	2				0.01	0.022
190	76550-34580	NUT	2				0.022	0.0484

# TENSION PULLEY



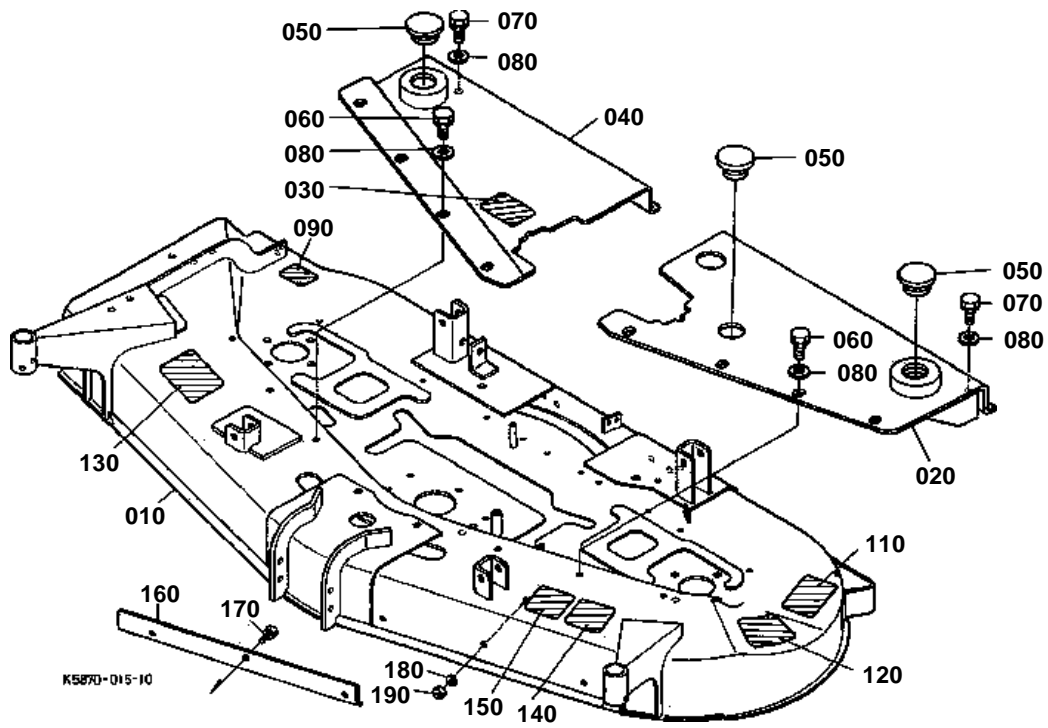
K5670-005-10

**TENSION PULLEY**

↔ Interchangeable; ≠ not interchangeable; ← new for old; → old for new

REF.No	Part No.	Description	Q'ty	S.No.	I/C	REMARKS	Weight (kgf)	Weight (lb)
010	76550-34710	BELT	1				0.9	1.98
020	76550-34720	SHAFT TENSION	1				0.38	0.836
030	01173-51025	BOLT	3				0.021	0.0462
040	04512-60100	WASHER SPRING	3				0.002	0.0044
050	02118-50100	NUT	3				0.005	0.011
060	76550-34734	ARM TENSION	1				0.57	1.254
070	08511-01915	BUSH	2				0.01	0.022
080	01123-60814	BOLT	1				0.008	0.0176
090	04015-60080	WASHER PLAIN	1				0.01	0.022
100	67111-44250	NIPPLE GREASE	1				0.005	0.011
110	66616-34390	SHIM ADJUSTING	1				0.001	0.0022
120	76543-12100	NIPPLE GREASE	1				0.003	0.0066
130	76544-34742	PULLEY TENSION	1				1	2.2
140	08101-06203	BEARING BALL	1				0.063	0.1386
150	08111-06203	BEARING BALL	1				0.065	0.143
160	76543-34720	COLLAR BEARING	1				0.008	0.0176
170	04611-00400	CIR CLIP INTERNAL	1				0.005	0.011
180	04612-00170	CIR CLIP EXTERNAL	2				0.001	0.0022
190	76543-34800	SEAL BEARING	1				0.001	0.0022
200	76550-34750	SPRING TENSION	1				0.2	0.44
210	76500-34770	BOLT TENSION	1				0.11	0.242
220	02118-50100	NUT	2				0.005	0.011

# MOWER DECK

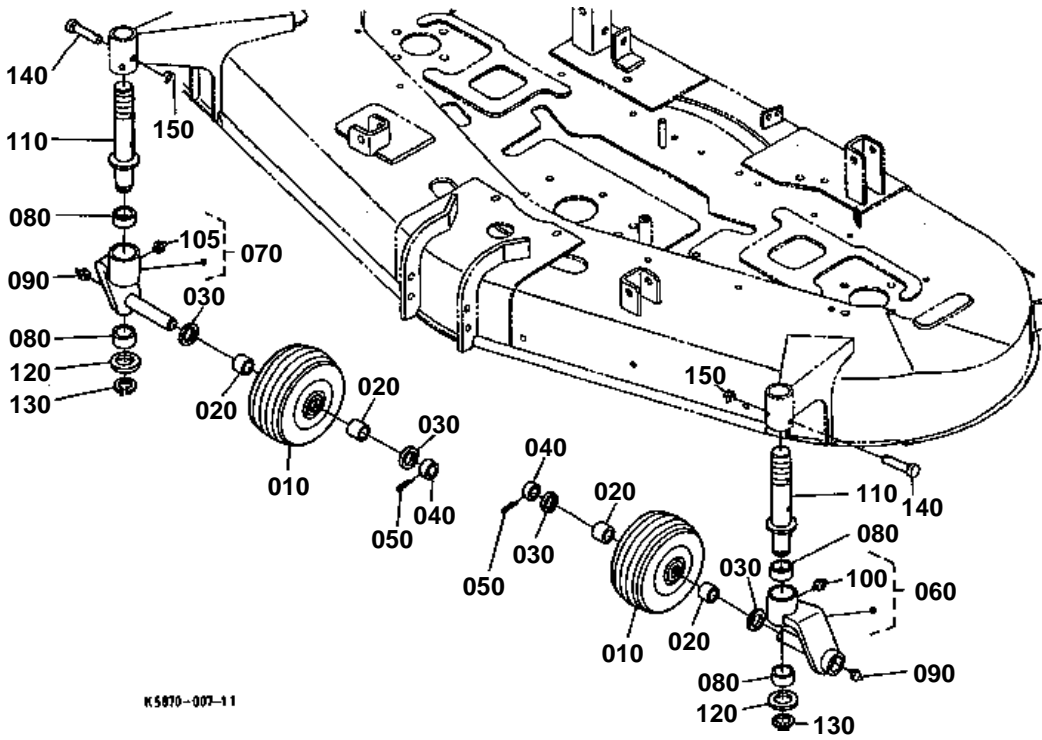


**MOWER DECK**

↔ Interchangeable; ≠ not interchangeable; ← new for old; → old for new

REF.No	Part No.	Description	Q'ty	S.No.	I/C	REMARKS	Weight (kgf)	Weight (lb)
010	76550-21160	DECK MOWER	1				90	198
020	76544-41180	COVER BELT	1				4	8.8
030	76539-34830	LABEL GREASE UP	1				0.002	0.0044
040	76544-41200	COVER RH	1	<=20096			3.5	7.7
040	76544-41203	COVER RH	1	>=20097	←		3.3	7.26
050	66204-51160	PLUG	3				0.007	0.0154
060	01123-60816	BOLT	12				0.01	0.022
070	01123-50820	BOLT	4				0.011	0.0242
080	04013-60080	WASHER PLAIN	16				0.002	0.0044
090	K5871-41172	NAME PLATE M/FORM	1			NON SALE	0	0
110	70720-47154	LABEL CAUTION	1				0.001	0.0022
120	66071-61790	LABEL CAUTION	1				0.002	0.0044
130	66071-61780	LABEL CAUTION	1				0.005	0.011
140	76550-41140	LABEL CUTTING HEIGHT	1				0.01	0.022
150	76550-34570	LABEL BLADE	1				0.006	0.0132
160	76550-41190	PLATE FRONT	1				0.72	1.584
170	01133-51020	BOLT	3				0.02	0.044
180	04512-60100	WASHER SPRING	3				0.002	0.0044
190	02118-50100	NUT	3				0.005	0.011

# FRONT WHEEL



K5870-007-11



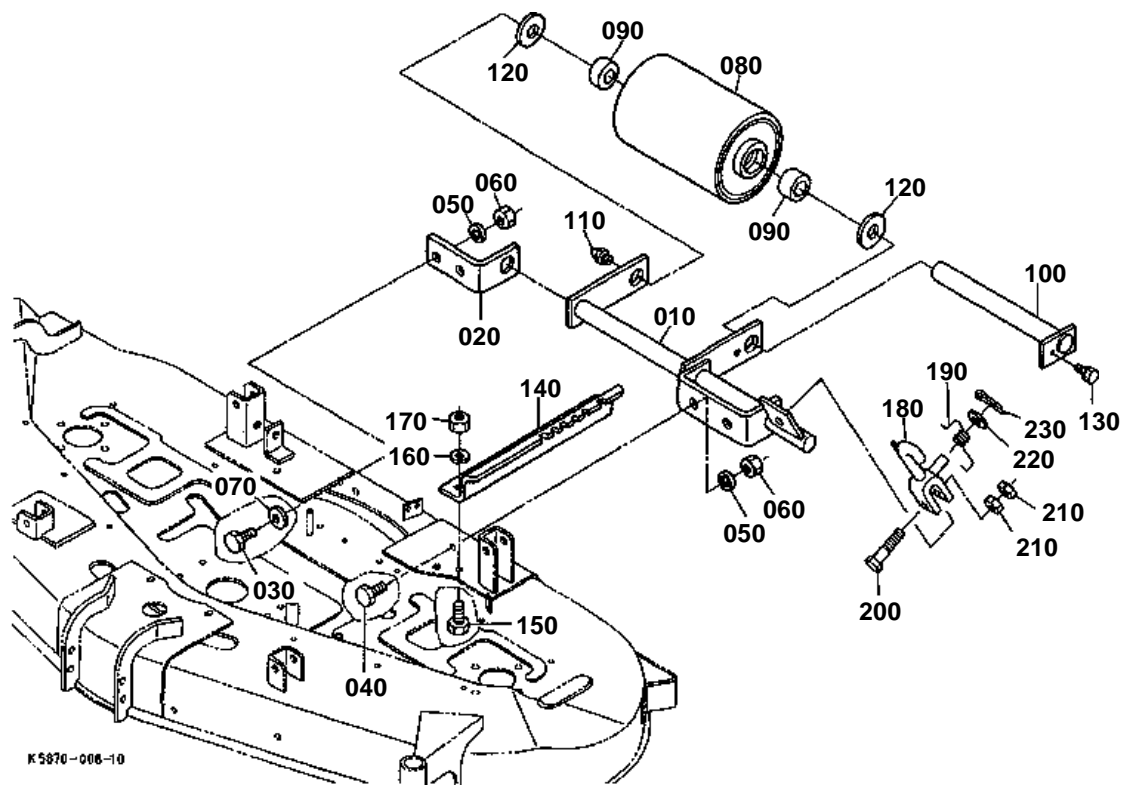


# FRONT WHEEL

↔ Interchangeable; ≠ not interchangeable; ← new for old; → old for new

REF.No	Part No.	Description	Q'ty	S.No.	I/C	REMARKS	Weight (kgf)	Weight (lb)
010	76550-42110	FRONT WHEEL	2				1.98	4.356
020	70722-44190	BUSH	4				0.041	0.0902
030	04013-50200	WASHER PLAIN	4				0.02	0.044
040	70722-42140	COLLAR	2				0.035	0.077
050	05511-50540	PIN SPLIT	2				0.009	0.0198
060	76550-42160	ASSY STAY F.WHEEL LH	1				1.5	3.3
070	76550-42180	ASSY STAY F.WHEEL RH	1				1.5	3.3
080	70722-42190	BUSH	4				0.045	0.099
090	06613-10675	NIPPLE GREASE	2				0.003	0.0066
100	06613-10675	NIPPLE GREASE	1				0.003	0.0066
105	06613-10675	NIPPLE GREASE	1				0.003	0.0066
110	76550-43110	SHAFT FRONT WHEEL	2				1.33	2.926
120	70722-43130	COLLAR FRONT WHEEL	2				0.015	0.033
130	04612-00300	CIR CLIP EXTERNAL	2				0.003	0.0066
140	05122-51050	PIN JOINT	2				0.032	0.0704
150	70712-51140	RING SNAP	2				0.009	0.0198

# REAR WHEEL



K5870-006-10

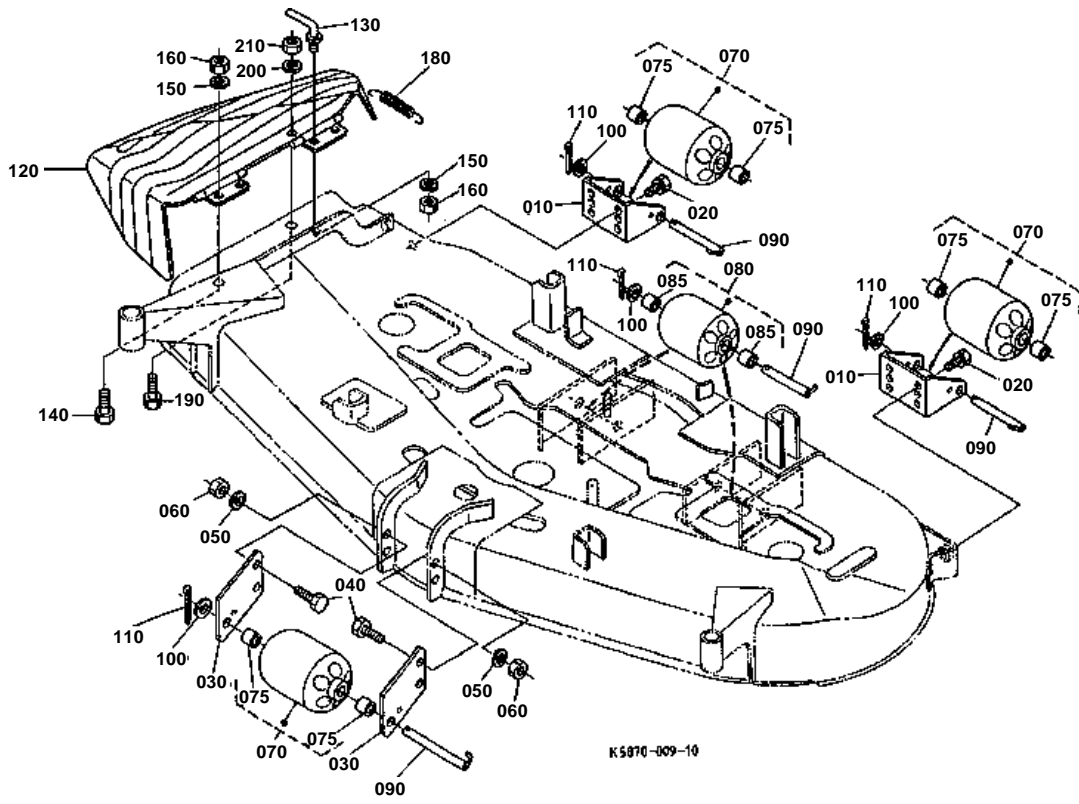


## REAR WHEEL

↔ Interchangeable; ≠ not interchangeable; ← new for old; → old for new

REF.No	Part No.	Description	Q'ty	S.No.	I/C	REMARKS	Weight (kgf)	Weight (lb)
010	76550-44110	ARM REAR WHEEL	1				2	4.4
020	76550-44130	BRACKET REAR WHEEL	1				0.195	0.429
030	01173-51025	BOLT	2				0.021	0.0462
040	01173-51028	BOLT	2				0.022	0.0484
050	04512-60100	WASHER SPRING	4				0.002	0.0044
060	02118-50100	NUT	4				0.005	0.011
070	04015-60100	WASHER PLAIN	2				0.015	0.033
080	76550-44150	REAR WHEEL	1				5	11
090	70722-44190	BUSH	2				0.041	0.0902
100	76550-44170	SHAFT REAR WHEEL	1				0.6	1.32
110	06613-10010	NIPPLE GREASE	1				0.006	0.0132
120	04013-50200	WASHER PLAIN	2				0.02	0.044
130	01123-60814	BOLT	1				0.008	0.0176
140	76550-45110	GUIDE REAR WHEEL	1				0.715	1.573
150	01173-51025	BOLT	2				0.021	0.0462
160	04512-60100	WASHER SPRING	2				0.002	0.0044
170	02118-50100	NUT	2				0.005	0.011
180	76550-45170	LEVER REAR WHEEL	1				0.3	0.66
190	70721-45190	SPRING LEVER RETURN	1				0.02	0.044
200	01153-50840	BOLT	1				0.018	0.0396
210	02114-50080	NUT	2				0.005	0.011
220	04012-50080	WASHER PLAIN	1				0.001	0.0022
230	05511-50215	PIN SPLIT	1				0.001	0.0022

ROLLER/DISCHARGE DEFLECTOR

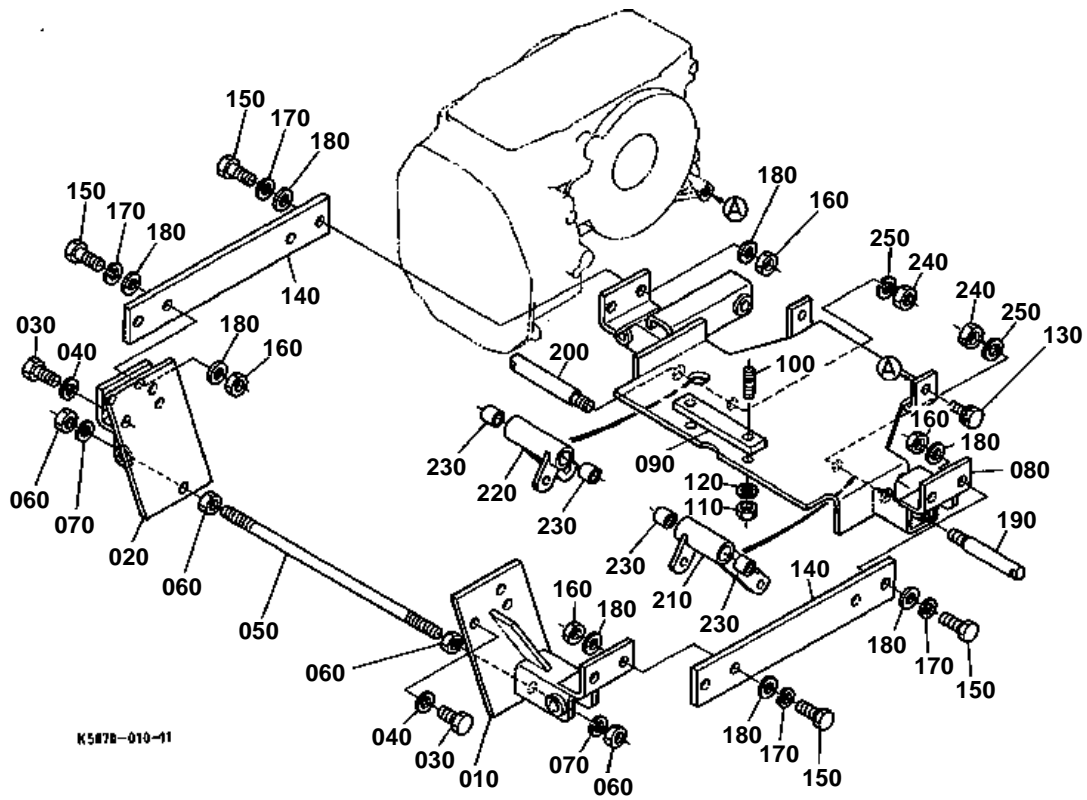


**ROLLER/DISCHARGE DEFLECTOR**

↔ Interchangeable; ≠ not interchangeable; ← new for old; → old for new

REF.No	Part No.	Description	Q'ty	S.No.	I/C	REMARKS	Weight (kgf)	Weight (lb)
010	76550-46110	STAY ROLLER	2				0.71	1.562
020	01133-51022	BOLT	4				0.025	0.055
030	76538-46130	STAY FRONT ROLLER	2				0.24	0.528
040	01173-51028	BOLT	4				0.022	0.0484
050	04512-60100	WASHER SPRING	4				0.002	0.0044
060	02118-50100	NUT	4				0.005	0.011
070	76559-46250	ROLLER ANTI-SCALP	3				0.38	0.836
075	08511-01220	BUSH	6				0.004	0.0088
080	76505-46250	ROLLER ANTI-SCALP	2				0.182	0.4004
085	08511-01220	BUSH	4				0.004	0.0088
090	70720-46183	PIN GAUGE WHEEL	5				0.125	0.275
100	04011-50120	WASHER PLAIN	5				0.005	0.011
110	05511-50425	PIN SPLIT	5				0.003	0.0066
120	76550-27113	COVER CHUTE	1				7	15.4
130	70721-47130	STOPPER CHUTE	1				0.05	0.11
140	01173-51025	BOLT	3				0.021	0.0462
150	04512-60100	WASHER SPRING	4				0.002	0.0044
160	02118-50100	NUT	4				0.005	0.011
180	70722-47120	SPRING	1				0.06	0.132
190	01173-51028	BOLT	1				0.022	0.0484
200	04512-60100	WASHER SPRING	1				0.002	0.0044
210	02118-50100	NUT	1				0.005	0.011

# LIFT LINKAGE

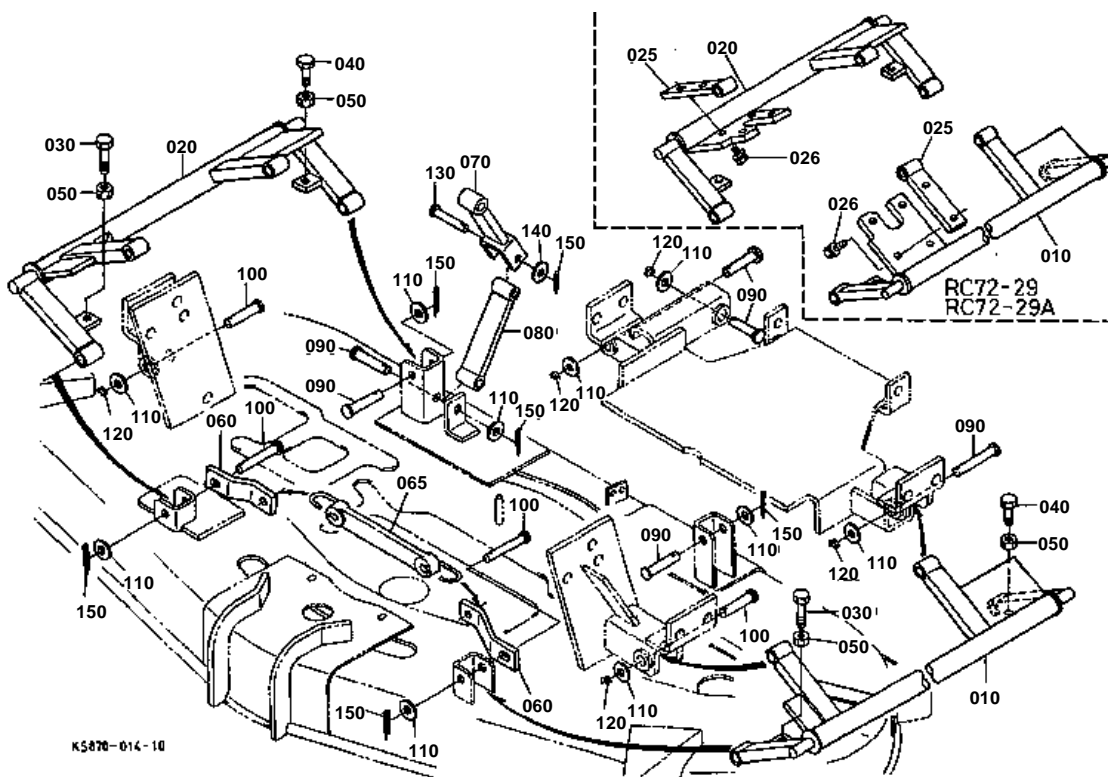


**LIFT LINKAGE**

↔ Interchangeable; ≠ not interchangeable; ← new for old; → old for new

REF.No	Part No.	Description	Q'ty	S.No.	I/C	REMARKS	Weight (kgf)	Weight (lb)
010	K5871-51110	STAY FRONT LH	1				3.05	6.71
020	K5871-51150	STAY FRONT RH	1				3.05	6.71
030	01173-51430	BOLT	6				0.052	0.1144
040	04512-60140	WASHER SPRING	6				0.006	0.0132
050	K5871-51200	ROD FRONT	1				0.466	1.0252
060	02174-50140	NUT	4				0.014	0.0308
070	04512-60140	WASHER SPRING	2				0.006	0.0132
080	K5871-51133	STAY REAR	1	>=20001			0	0
080	K5871-51134	STAY REAR	1	>=20267	←		14.5	31.9
090	K5871-51140	PLATE	1				0.3	0.66
100	01574-61240	STUD	2				0.045	0.099
110	76611-65310	NUT LOCK	2				0.01	0.022
120	04512-60120	WASHER SPRING	2				0.005	0.011
130	01133-51230	BOLT	2				0.04	0.088
140	76551-51180	PLATE SIDE	2				1.84	4.048
150	01173-51235	BOLT	8				0.04	0.088
160	02174-50120	NUT	8				0.01	0.022
170	04512-60120	WASHER SPRING	8				0.005	0.011
180	04013-60120	WASHER PLAIN	16				0.01	0.022
190	76550-61190	SHAFT LH	1				0.29	0.638
200	76550-61210	SHAFT RH	1				0.35	0.77
210	K5871-61230	LINK LIFT LH	1				0.8	1.76
220	K5871-61250	LINK LIFT RH	1				0.85	1.87
230	08511-02020	BUSH	4				0.01	0.022
240	02074-50160	NUT	2				0.029	0.0638
250	04512-60160	WASHER SPRING	2				0.01	0.022

# MOWER LINK STAY





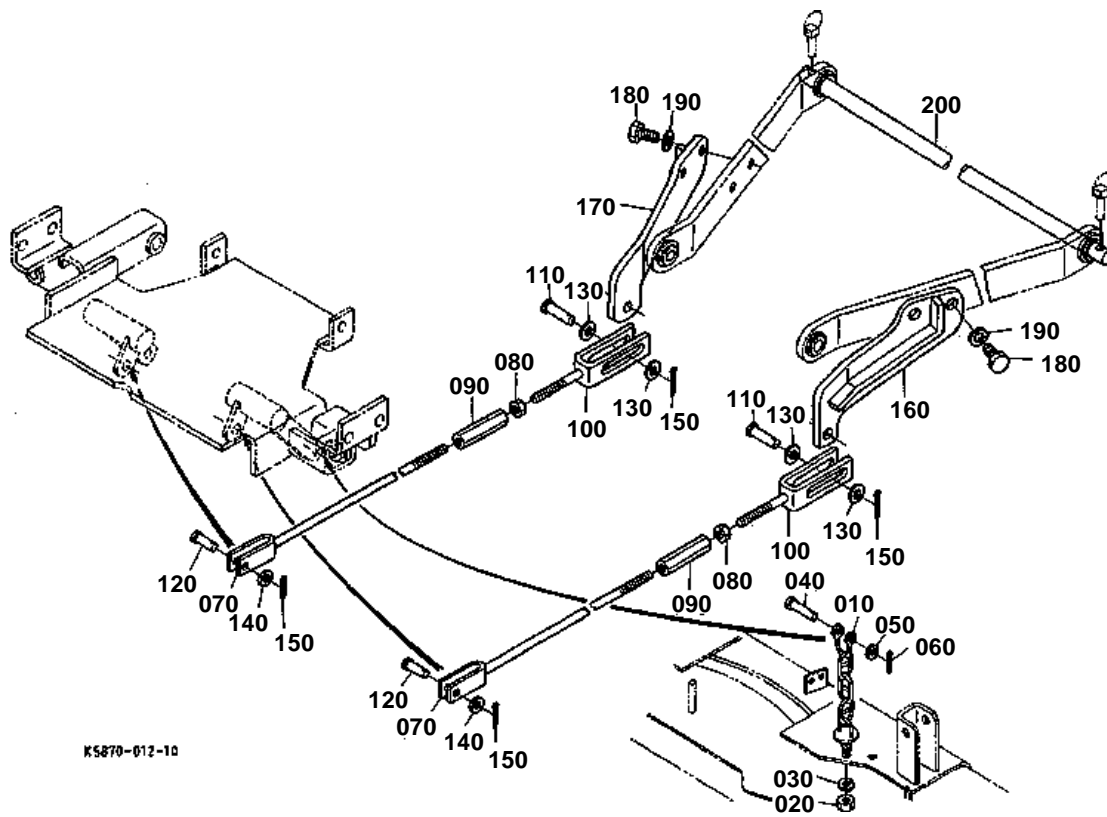


## MOWER LINK STAY

↔ Interchangeable; ≠ not interchangeable; ← new for old; → old for new

REF.No	Part No.	Description	Q'ty	S.No.	I/C	REMARKS	Weight (kgf)	Weight (lb)
010	K5871-51160	STAY LIFT LH	1				7	15.4
020	K5871-51190	STAY FIFT RH	1				7.2	15.84
030	01173-51235	BOLT	2				0.04	0.088
040	01173-51230	BOLT	2				0.037	0.0814
050	02174-50120	NUT	4				0.01	0.022
060	K5871-51220	HOOK	2				0.18	0.396
065	38187-71753	COMP.RUBBER	1				0.04	0.088
070	76550-51274	LINK	1				0.72	1.584
080	76550-51294	LINK	1				0.71	1.562
090	05122-51475	PIN JOINT	6				0.094	0.2068
100	05122-51490	PIN JOINT	4				0.112	0.2464
110	04011-50140	WASHER PLAIN	12				0.007	0.0154
120	70712-51140	RING SNAP	7				0.009	0.0198
130	05122-51260	PIN JOINT	1				0.055	0.121
140	04011-50120	WASHER PLAIN	1				0.005	0.011
150	05511-50425	PIN SPLIT	7				0.003	0.0066

# LIFT ARM



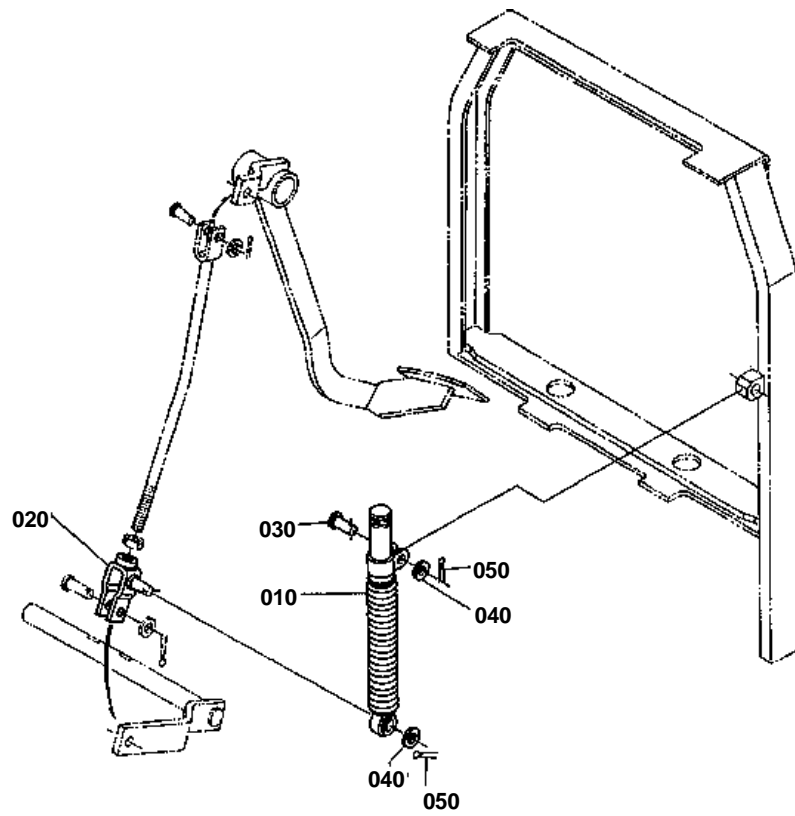
K5870-012-10

**LIFT ARM**

↔ Interchangeable; ≠ not interchangeable; ← new for old; → old for new

REF.No	Part No.	Description	Q'ty	S.No.	I/C	REMARKS	Weight (kgf)	Weight (lb)
010	70706-61110	ASSY CHAIN	2				0.312	0.6864
020	02174-50120	NUT	2				0.01	0.022
030	04512-60120	WASHER SPRING	2				0.005	0.011
040	05122-51035	PIN JOINT	2				0.023	0.0506
050	04011-50100	WASHER PLAIN	2				0.002	0.0044
060	05511-50318	PIN SPLIT	2				0.001	0.0022
070	76550-61130	ROD	2				0.56	1.232
080	02174-50120	NUT	2				0.01	0.022
090	37720-28980	TURNBUCKLE	2				0.099	0.2178
100	76550-61150	ROD	2				0.32	0.704
110	05122-51450	PIN JOINT	2				0.012	0.0264
120	05122-51230	PIN JOINT	2				0.029	0.0638
130	04013-60140	WASHER PLAIN	4				0.01	0.022
140	04011-50120	WASHER PLAIN	2				0.005	0.011
150	05511-50420	PIN SPLIT	4				0.002	0.0044
160	76550-61160	ARM LIFT LH	1				2	4.4
170	76550-61170	ARM LIFT RH	1				2.03	4.466
180	01173-51635	BOLT	4				0.078	0.1716
190	04512-60160	WASHER SPRING	4				0.01	0.022
200	76550-61280	ROD LOWER LINK	1				0.94	2.068

# CLUTCH DUMPER



K5870-013-10



# CLUTCH DUMPER

↔ Interchangeable; ≠ not interchangeable; ← new for old; → old for new

REF.No	Part No.	Description	Q'ty	S.No.	I/C	REMARKS	Weight (kgf)	Weight (lb)
010	K5871-72500	DAMPER CLUTCH	1				0.28	0.616
020	34550-44470	U JOINT	1				0.09	0.198
030	05122-50828	PIN JOINT	1				0.012	0.0264
040	04012-50080	WASHER PLAIN	2				0.001	0.0022
050	05511-50215	PIN SPLIT	2				0.001	0.0022



# ACCESSORIES AND SERVICE PARTS

↔ Interchangeable; ≠ not interchangeable; ← new for old; → old for new

REF.No	Part No.	Description	Q'ty	S.No.	I/C	REMARKS	Weight (kgf)	Weight (lb)
010	K5871-71110	MANUAL INSTRUCTION	1				0	0
020	K5871-71200	PLUG	1				0.008	0.0176

Blank Page Inserted