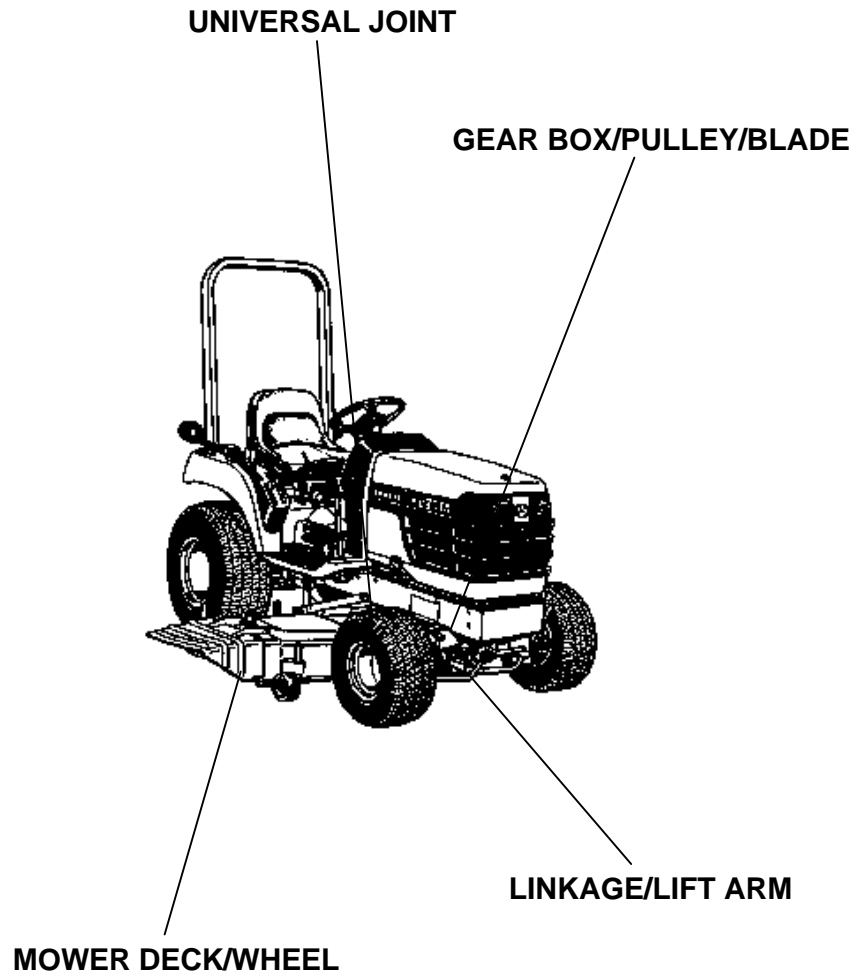


ALL PRODUCT INDEX  
RCK54-22BX

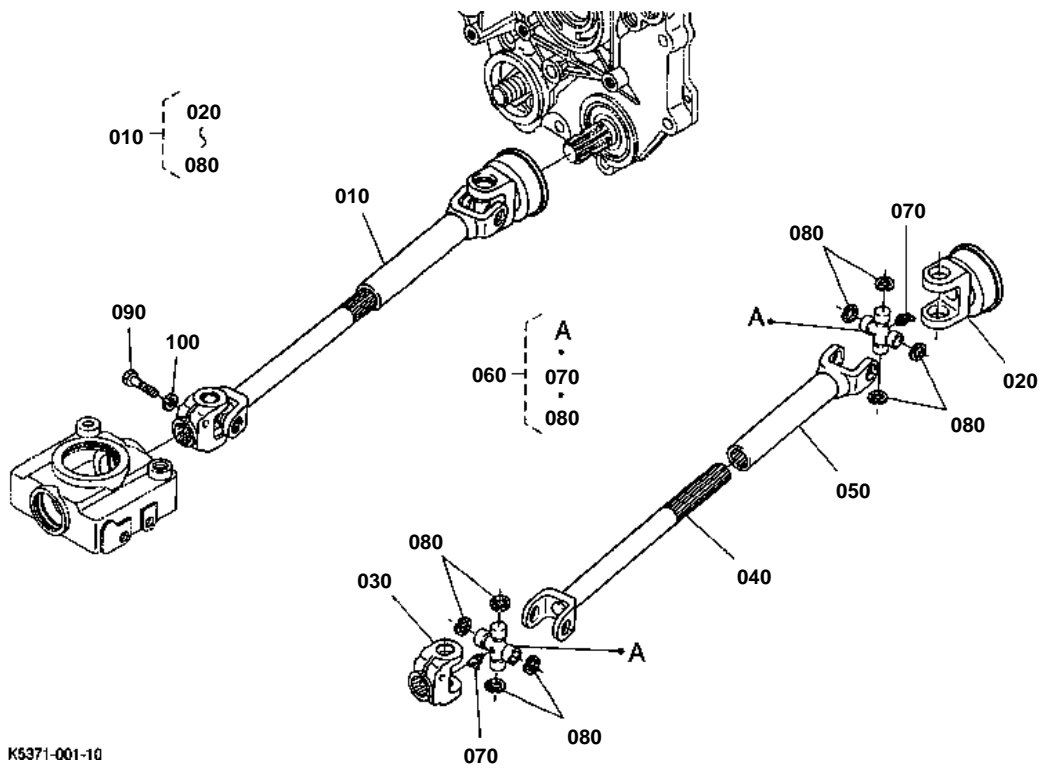
---



ACCESSORIES

Item	Part No.	Description	Book
UNIVERSAL JOINT	01A001	UNIVERSAL JOINT	100K0547
GEAR BOX/PULLEY/BLADE	01A004	BEVEL GEAR CASE	100K0547
	01A007	PULLEY HOLDER	100K0547
	01A010	BLADE	100K0547
	01A013	TENSION PULLEY	100K0547
MOWER DECK/WHEEL	01A10001	MOWER DECK	100K0547
	01A103	FRONT GAUGE WHEEL	100K0547
	01A109	DISCHARGE COVER	100K0547
LINKAGE/LIFT ARM	01A200	LINKAGE	100K0547
ACCESSORIES	01A300	ACCESSORIES AND SERVICE PARTS	100K0547

# UNIVERSAL JOINT



K5371-001-10

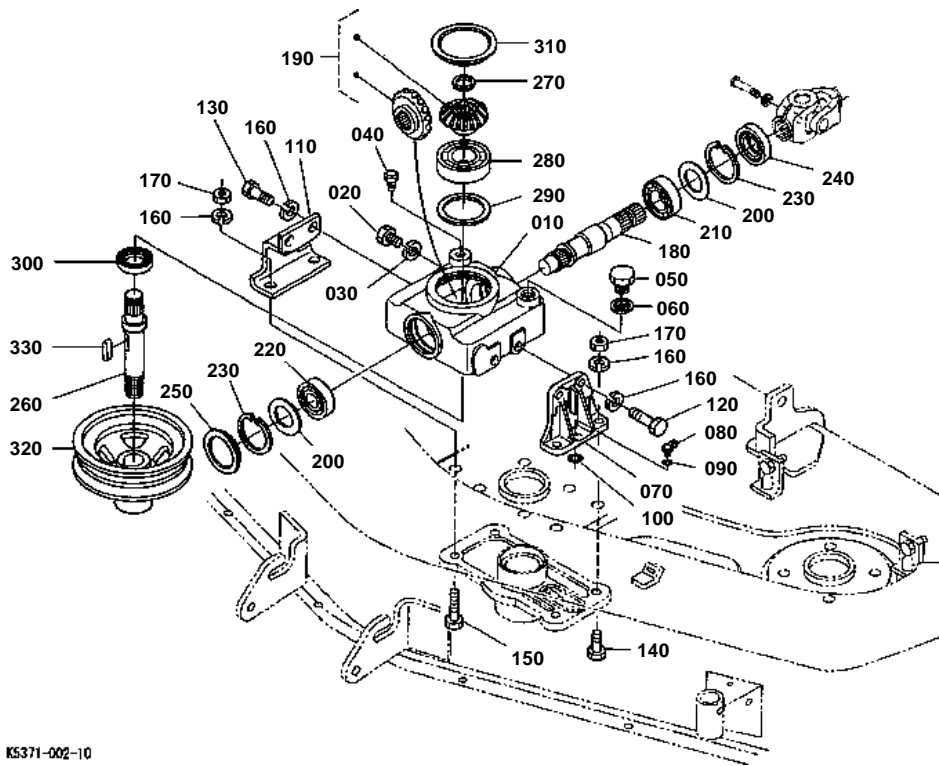


# UNIVERSAL JOINT

↔ Interchangeable; ≠ not interchangeable; ← new for old; → old for new

REF.No	Part No.	Description	Q'ty	S.No.	I/C	REMARKS	Weight (kgf)	Weight (lb)
010	K5371-32030	ASSY JOINT UNIVERSAL	1				3.5	7.7
020	76539-31150	YOKE QUICK	1				0.55	1.21
030	K5371-31130	YOKE PTO	1				0.48	1.056
040	76553-31140	SHAFT JOINT	1				1.21	2.662
050	76539-31170	YOKE SLEEVE	1				0.2	0.44
060	76539-31180	ASSY JOINT CROSS	2				0.21	0.462
070	76539-31210	NIPPLE GREASE	2				0.01	0.022
080	76539-32120	RING SNAP	8				0.003	0.0066
090	01053-51035	HEX BOLT	1				0.03	0.066
100	04512-50100	WASHER SPRING LOCK	1				0.003	0.0066

# BEVEL GEAR CASE



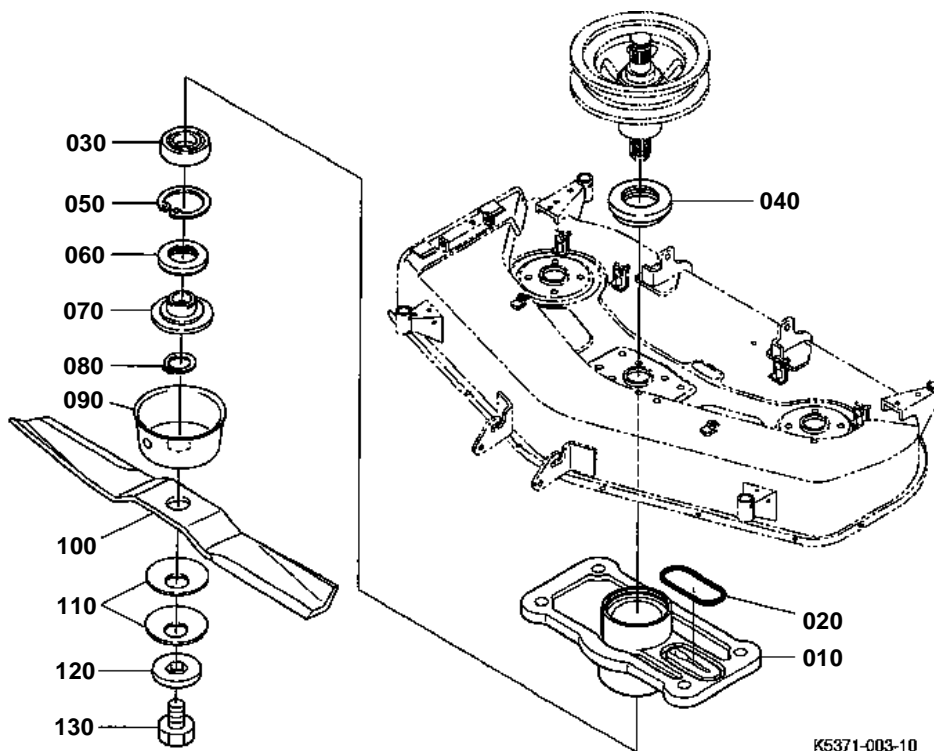
K5371-002-10

**BEVEL GEAR CASE**

↔ Interchangeable; ≠ not interchangeable; ← new for old; → old for new

REF.No	Part No.	Description	Q'ty	S.No.	I/C	REMARKS	Weight (kgf)	Weight (lb)
010	K5761-33115	CASE BEVEL GEAR	1				3.82	8.404
020	01153-50812	BOLT	2				0.008	0.0176
030	04717-00800	WASHER WITH RUBBER	2				0.001	0.0022
040	K5761-33250	PLUG BREATHER	1				0.006	0.0132
050	06331-35016	PLUG	1				0.04	0.088
060	04711-00300	GASKET	1				0.001	0.0022
070	K5371-33130	STAY CASE LH	1				0	0
080	K5763-44250	NIPPLE GREASE	1				0	0
090	K5763-27340	SHIM ADJUST	1				0	0
100	04811-06120	O-RING	1				0.001	0.0022
110	K5763-33150	STAY CASE RH	1				0	0
120	K5763-33210	BOLT REAMER	2				0	0
130	01073-51225	HEX.BOLT	2				0.035	0.077
140	K5763-33230	BOLT REAMER	2				0	0
150	01073-51235	HEX.BOLT	2				0.045	0.099
160	04512-50120	WASHER SPRING LOCK	8				0.003	0.0066
170	02074-50120	HEX.NUT	4				0.015	0.033
180	K5763-33310	SHAFT PINION	1				0.66	1.452
190	K5761-33320	KIT GEAR BEVEL	1			16-19T	0.45	0.99
200	36330-28420	SHIM	2			0.2MM	0.002	0.0044
200	36330-28410	SHIM	2			0.3MM	0.002	0.0044
210	08101-06205	BEARING BALL	1				0.14	0.308
220	08101-06304	BEARING BALL	1				0.146	0.3212
230	04611-00520	CIR CLIP INTERNAL	2				0.009	0.0198
240	76535-33440	SEAL OIL	1				0.02	0.044
250	63313-32270	CAP	1				0.03	0.066
260	K5371-33500	SHAFT BLADE	1				0.54	1.188
270	04612-00220	CIR CLIP EXTERNAL	1				0.001	0.0022
280	70712-33550	BEARING BALL	1				0.22	0.484
290	70712-33570	SHIM	1			0.1MM	0.001	0.0022
290	76539-33410	SHIM	1			0.2MM	0.001	0.0022
300	K5761-33540	SEAL OIL	1				0.012	0.0264
310	7C765-51260	CAP	1				0.07	0.154
320	K5371-33520	PULLEY CENTER	1				1.78	3.916
330	05712-00728	KEY FEATHER	1				0.01	0.022

# PULLEY HOLDER



K5371-003-10



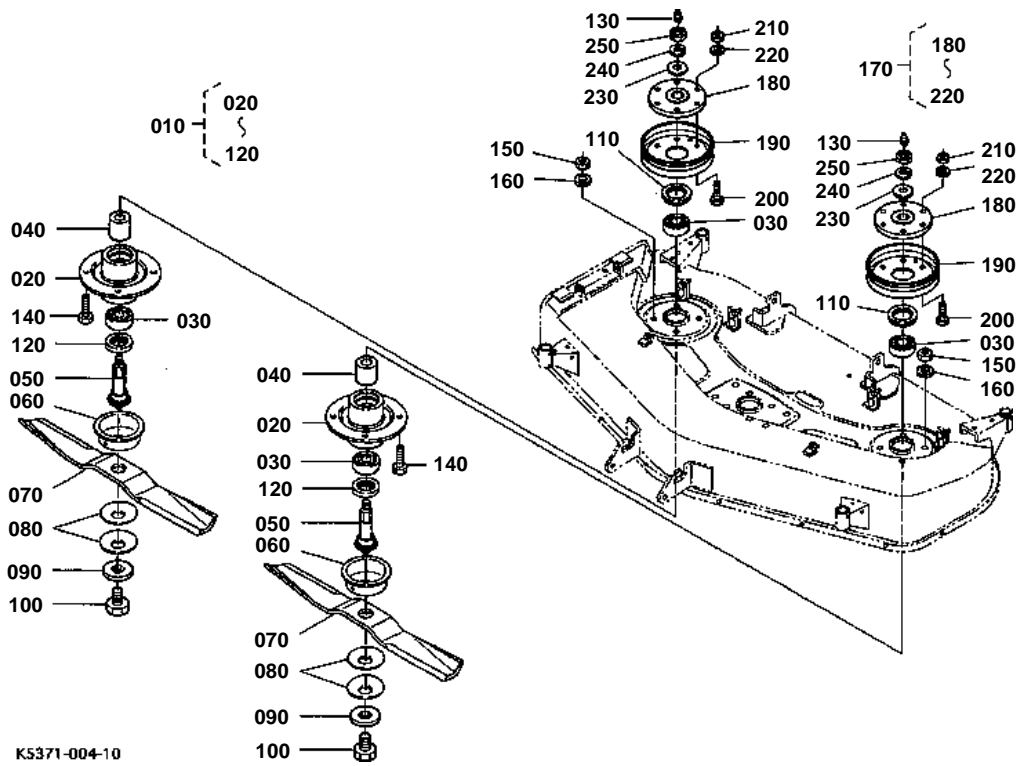
# PULLEY HOLDER

↔ Interchangeable; ≠ not interchangeable; ← new for old; → old for new

REF.No	Part No.	Description	Q'ty	S.No.	I/C	REMARKS	Weight (kgf)	Weight (lb)
010	K5371-34110	HOLDER PULLEY(CENTER	1				0	0
020	04811-00500	O-RING	1				0.002	0.0044
030	08101-06205	BALL BEARING	1				0.14	0.308
040	K5651-34120	OIL SEAL UPPER	1				0	0
050	04611-00520	CIR CLIP INTERNAL	1				0.009	0.0198
060	K5651-34160	OIL SEAL LOWER	1				0	0
070	K5651-34150	BOSS SPLINE	1				0	0
080	04612-00220	CIR CLIP	1				0.001	0.0022
090	K5651-34310	COVER DUST	1				0.1	0.22
100	K5351-34330	BLADE	1				0	0
110	K5371-34350	SPRING CORN	2				0	0
120	K5371-34390	WASHER LOCK	1				0	0
130	K5371-34370	BOLT BLADE	1				0	0



BLADE

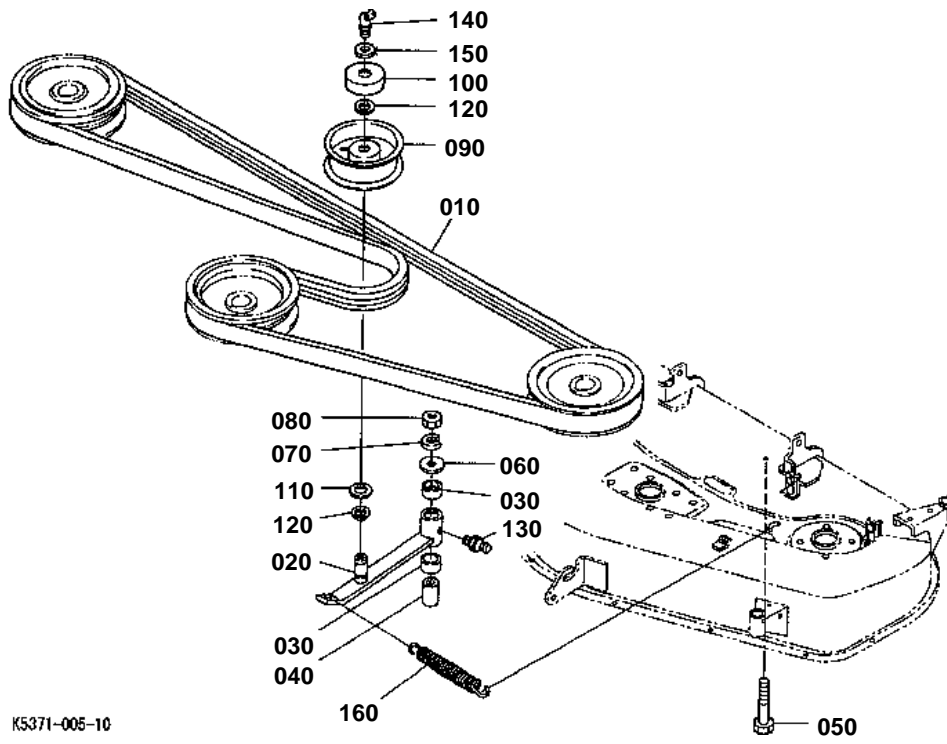


**BLADE**

↔ Interchangeable; ≠ not interchangeable; ← new for old; → old for new

REF.No	Part No.	Description	Q'ty	S.No.	I/C	REMARKS	Weight (kgf)	Weight (lb)
010	K5351-34500	ASSY HOLDER PULLEY S	2				0	0
020	K5221-71210	HOLDER PULLEY	2				0	0
030	08101-06205	BALL BEARING	4				0.14	0.308
040	K5221-71130	COLLAR	2				0	0
050	K5371-34550	SHAFT SIDE BLADE	2				0	0
060	K5651-34310	COVER DUST	2				0.1	0.22
070	K5351-34330	BLADE	2				0	0
080	K5371-34350	SPRING CORN	4				0	0
090	K5371-34390	WASHER LOCK	2				0	0
100	K5371-34370	BOLT BLADE	2				0	0
110	K5651-34120	OIL SEAL UPPER	2				0	0
120	K5651-34160	OIL SEAL LOWER	2				0	0
130	K1122-15150	NIPPLE GREASE	2				0.002	0.0044
140	01073-51230	HEX.BOLT	8				0.041	0.0902
150	02074-50120	HEX.NUT	8				0.015	0.033
160	04512-50120	WASHER SPRING LOCK	8				0.003	0.0066
170	K5371-34590	ASSY PULLEY BLADE S	2				0	0
180	K5371-34570	BOSS SIDE PULLY	2				0	0
190	K5371-34580	PULLEY BLADE SIDE	2				0	0
200	01053-50835	BOLT	12				0.016	0.0352
210	02054-50080	HEX.NUT	12				0.005	0.011
220	75599-33012	WASHER SPRING LOCK	12				0	0
230	04013-50180	WASHER PLAIN	2				0.015	0.033
240	04512-50180	WASHER SPRING LOCK	2				0	0
250	02074-50180	HEX.NUT	2				0.043	0.0946

# TENSION PULLEY



K5371-005-10

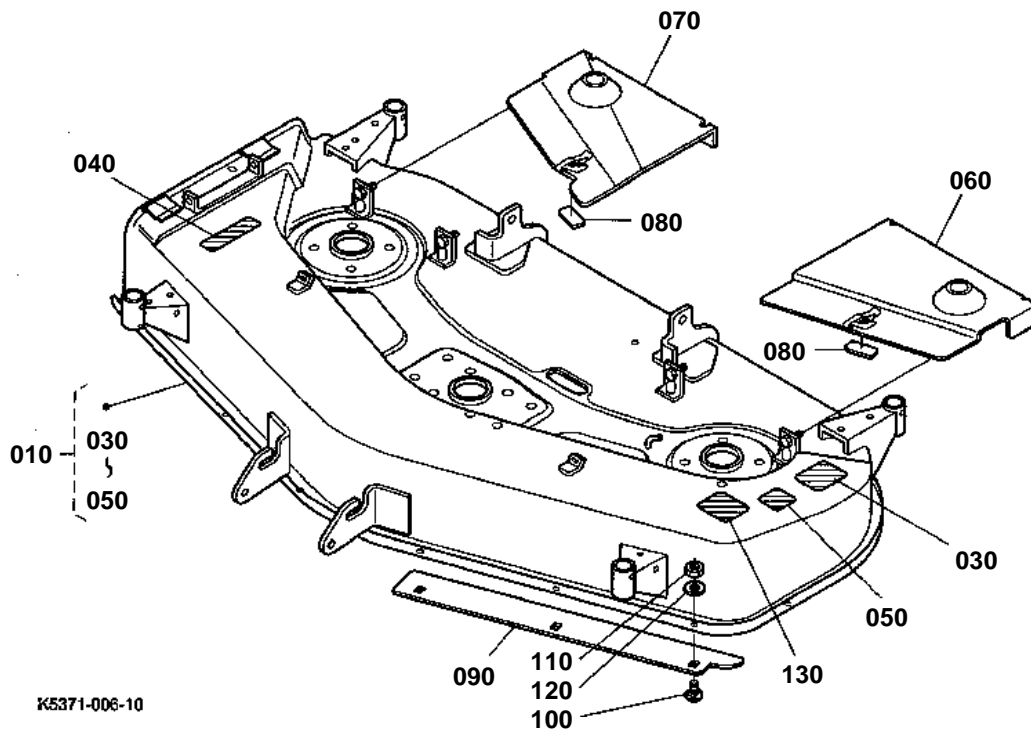


## TENSION PULLEY

↔ Interchangeable; ≠ not interchangeable; ← new for old; → old for new

REF.No	Part No.	Description	Q'ty	S.No.	I/C	REMARKS	Weight (kgf)	Weight (lb)
010	K5351-34710	BELT POLY	1				0	0
020	K5763-34730	ARM TENSION	1				0	0
030	K5651-20150	BUSHING TENSION	2				0.017	0.0374
040	K5651-34780	COLLAR TENSION	1				0.055	0.121
050	01073-51270	HEX.BOLT	1				0.06	0.132
060	75599-32015	WASHER PLAIN	1				0	0
070	04512-50120	WASHER SPRING LOCK	1				0.003	0.0066
080	02074-50120	HEX.NUT	1				0.015	0.033
090	K5651-34880	PULLEY TENSION	1				0.55	1.21
100	K5651-34790	COVER TENSION	1				0.02	0.044
110	K5651-34800	SEAL BEARING	1				0.001	0.0022
120	04612-00170	CIR CLIP	2				0.001	0.0022
130	K1122-15150	NIPPLE GREASE	1				0.002	0.0044
140	K5371-34750	NIPPLE GREASE	1				0	0
150	K5763-27350	SHIM ADJUST	1				0	0
160	K5763-34750	SPRING TENSION	1				0	0

MOWER DECK



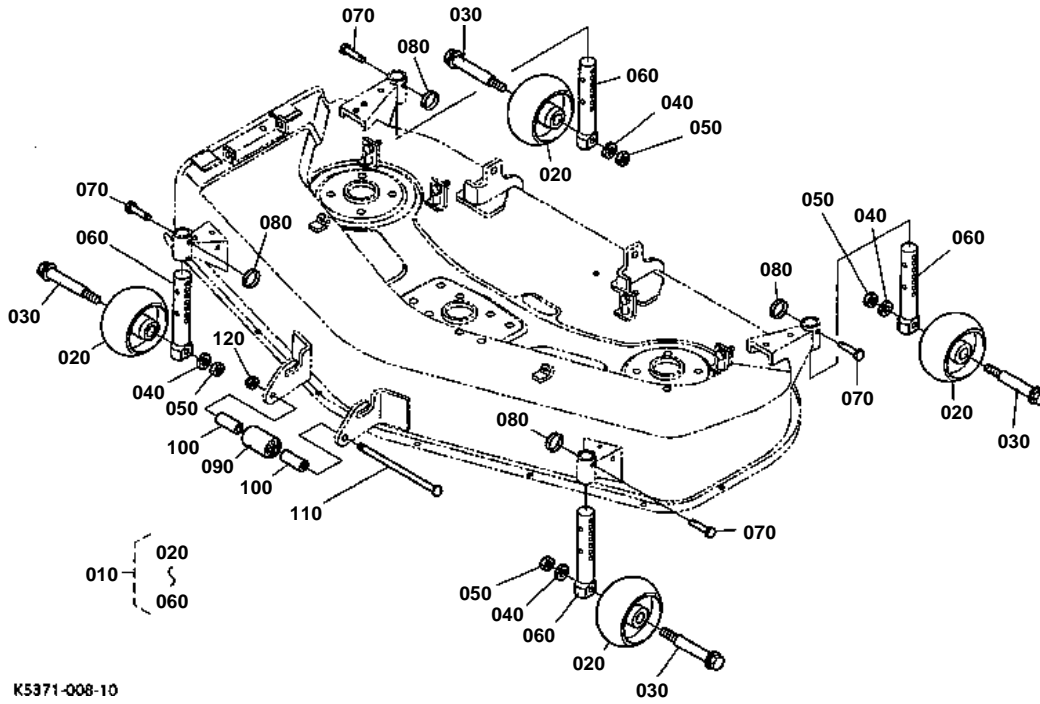


## MOWER DECK

↔ Interchangeable; ≠ not interchangeable; ← new for old; → old for new

REF.No	Part No.	Description	Q'ty	S.No.	I/C	REMARKS	Weight (kgf)	Weight (lb)
010	K5351-41100	ASSY MOWER DECK	1				0	0
030	K5763-47150	LABEL CAUTION	1			ENGLISH	0	0
030	K5371-11470	LABEL CAUTION CA	1			FRENCH	0	0
040	K5112-73110	LABEL DANGER 1	1			ENGLISH	0	0
040	K5371-11420	LABEL DANGER 1 CA	1			FRENCH	0	0
050	K5112-73120	LABEL DANGER 2	1			ENGLISH	0	0
050	K5371-11480	LABEL DANGER 2 CA	1			FRENCH	0	0
060	K5351-41180	COVER LEFT	1				0	0
070	K5351-41200	COVER RIGHT	1				0	0
080	K1122-57160	PLATE RUBBER	2				0.001	0.0022
090	K5221-72910	PLATE FRONT LH	1				0	0
100	K1122-91320	BOLT SHORT SQU.NECK	3				0.01	0.022
110	02054-50080	HEX.NUT	3				0.005	0.011
120	75599-33012	WASHER SPRING LOCK	3				0	0
130	K5221-73130	LABEL ANTI-SCALP	1			ENGLISH	0	0
130	K5223-73130	LABEL ANTI-SCALP	1			FRENCH	0	0

# FRONT GAUGE WHEEL



K5371-008-10



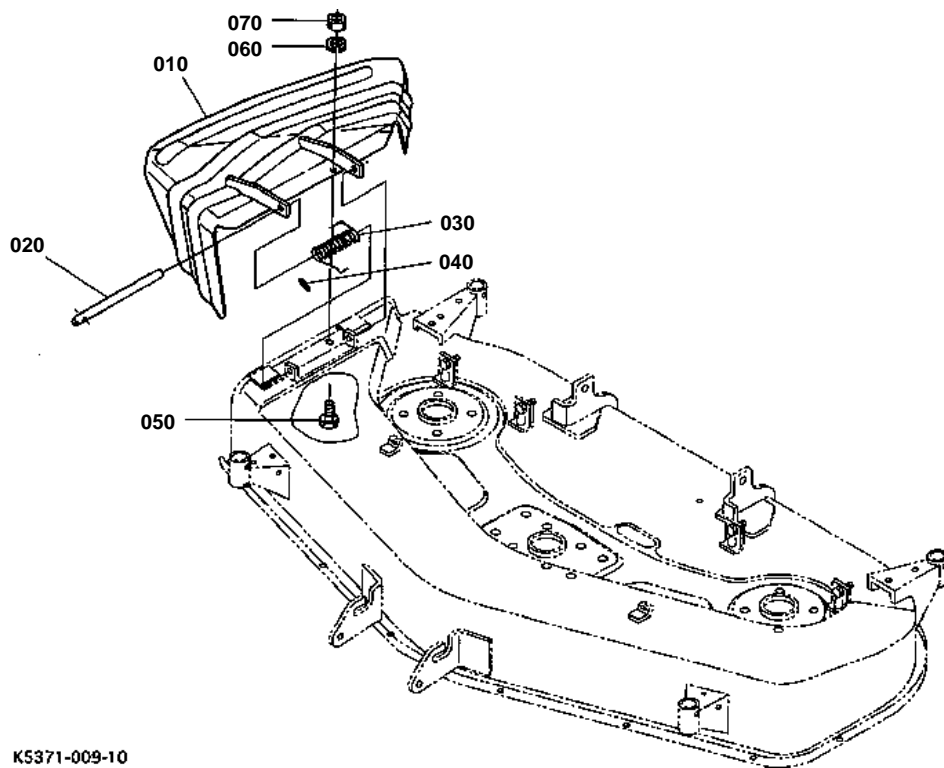
# FRONT GAUGE WHEEL

↔ Interchangeable; ≠ not interchangeable; ← new for old; → old for new

REF.No	Part No.	Description	Q'ty	S.No.	I/C	REMARKS	Weight (kgf)	Weight (lb)
010	K5371-42100	ASSY GAUGE WHEEL	4				0	0
020	K5371-42110	GAUGE WHEEL	4				0	0
030	K5221-72670	BOLT SHOULDER	4				0	0
040	04512-50100	WASHER SPRING LOCK	4				0.003	0.0066
050	02014-50100	HEX.NUT	4				0.011	0.0242
060	K5221-72680	PIN GAUGE WHEEL	4				0	0
070	75599-51235	PIN CLEVIS	4				0	0
080	K5112-72730	RING SNAP	4				0	0
090	K5112-72420	GAUGE WHEEL	1				0.15	0.33
100	K5371-44310	COLLAR WHEEL	2				0	0
110	K5221-72650	BOLT GAUGE	1				0	0
120	02572-50120	NUT LOCKING	1				0.014	0.0308



# DISCHARGE COVER



K5371-009-10

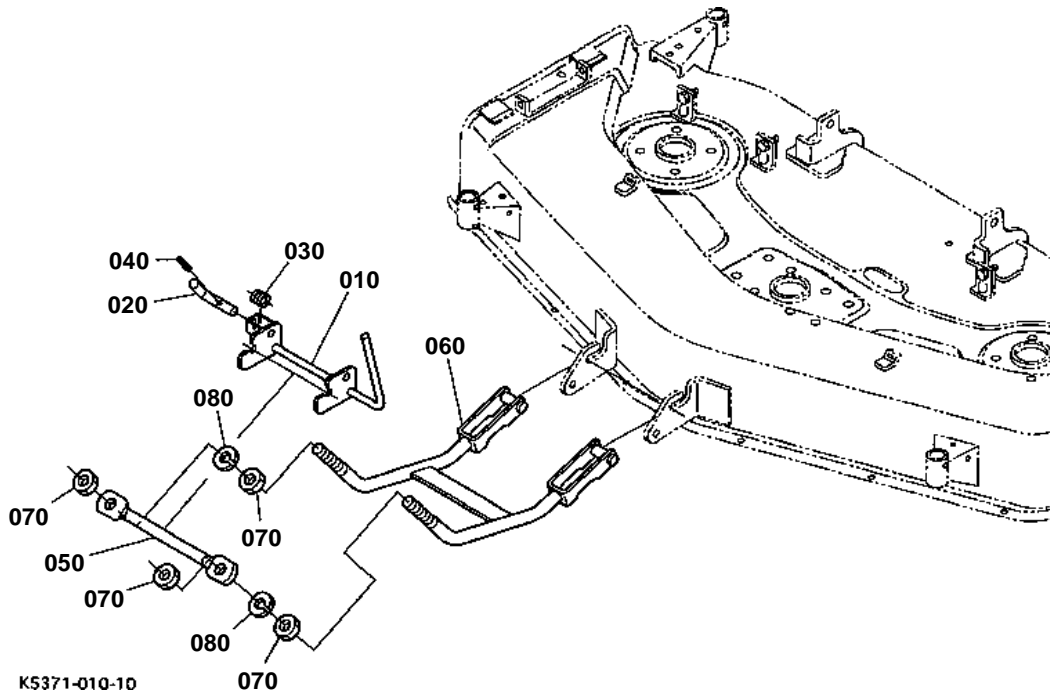


## DISCHARGE COVER

↔ Interchangeable; ≠ not interchangeable; ← new for old; → old for new

REF.No	Part No.	Description	Q'ty	S.No.	I/C	REMARKS	Weight (kgf)	Weight (lb)
010	K5651-47110	COVER DISCHARGE	1				4.8	10.56
020	K5651-47150	PIN DISCHARGE	1				0.2	0.44
030	K5651-47160	SPRING DISCHARGE	1				0.12	0.264
040	75599-52525	PIN SPRING	1				0.004	0.0088
050	01073-51030	HEX.BOLT	1				0.028	0.0616
060	04512-50100	WASHER SPRING LOCK	1				0.003	0.0066
070	02018-50100	HEX.NUT	1				0.011	0.0242

LINKAGE



**LINKAGE**

↔ Interchangeable; ≠ not interchangeable; ← new for old; → old for new

REF.No	Part No.	Description	Q'ty	S.No.	I/C	REMARKS	Weight (kgf)	Weight (lb)
010	K5371-44580	LEVER LINK	1				0	0
020	K5763-44540	PIN FRONT	1				0	0
030	K5763-44560	SPRING PIN FRONT	1				0	0
040	75599-52532	PIN SPRING	1				0.005	0.011
050	K5371-44610	LINK FRONT 1	1				0	0
060	K5351-44620	LINK FRONT 2	1				0	0
070	02074-50160	HEX.NUT	4				0.029	0.0638
080	75599-33017	WASHER SPRING LOCK	2				0	0



## ACCESSORIES AND SERVICE PARTS

↔ Interchangeable; ≠ not interchangeable; ← new for old; → old for new

REF.No	Part No.	Description	Q'ty	S.No.	I/C	REMARKS	Weight (kgf)	Weight (lb)
010	K5371-71110	OPERATOR'S MANUAL	1			ENGLISH	0	0
010	K5371-71130	OPERATOR'S MANUAL CA	1			FRENCH	0	0