

Instructions for Parts Books

The heading at the top of the page will be the same for the picture of the parts as it is for the page with the part numbers.

Definition of column headings on part number pages:

REF.No → The number referring to the part on the picture page of the parts book.

Part No. → The number assigned to this part at the time of printing the parts book.

Description → Description of part.

Q'ty → Quantity of part used on that page.

S.No. → Serial number range of the equipment that this part will fit.

>= Your serial number should be greater than or equal to the number shown.

<= Your serial number should be lesser than or equal to the serial number shown.

I/C → Interchangeability of part shown.

↔ The part shown will work for the older and later serial number.

The part shown is not interchangeable with the other serial number.

← new for old

→ old for new

Remarks → Notes about this particular part. Sometimes this may say except [FR] or [CA]

Note about Country Codes:

The parts books we use in the United States of America may also contain information about a part that would be different in another country. It is important that you are aware of the country codes in some instances.

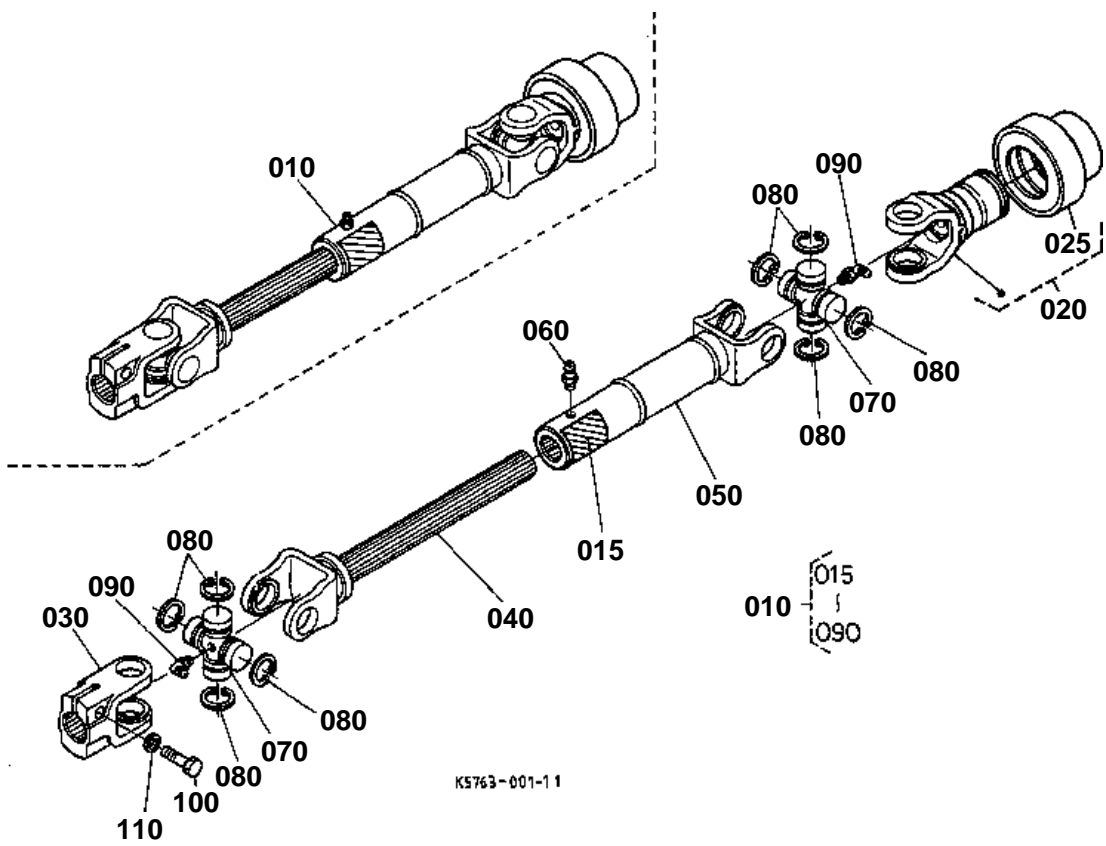
| Symbol | Country |
|--------|--------------------------|
| A | United States of America |
| CA | Canada |
| FR | France |
| GR | Greece |
| PO | Portugal |
| AU | Australia |

If the remarks column says for example EXCEPT [FR] this part works in all countries except France. That means it will work here in the USA.

RCK60-30B

| Item | Part No. | | Book |
|-------|----------|-------------------------------|----------|
| MOWER | 01A001 | UNIVERSAL JOINT | 100A0271 |
| | 01A004 | BEVEL GEAR CASE | 100A0271 |
| | 01A007 | PULLEY HOLDER | 100A0271 |
| | 01A010 | BLADE | 100A0271 |
| | 01A013 | TENSION PULLEY | 100A0271 |
| | 01A100 | MOWER DECK | 100A0271 |
| | 01A103 | FRONT GAUGE WHEEL | 100A0271 |
| | 01A106 | REAR WHEEL | 100A0271 |
| | 01A109 | DISCHARGE COVER | 100A0271 |
| | 01A200 | LINKAGE | 100A0271 |
| | 01A203 | LIFT LINKAGE | 100A0271 |
| | 01A206 | LIFT ARM | 100A0271 |
| | 01A290 | STOPPER | 100A0271 |
| | 01A300 | ACCESSORIES AND SERVICE PARTS | 100A0271 |

UNIVERSAL JOINT



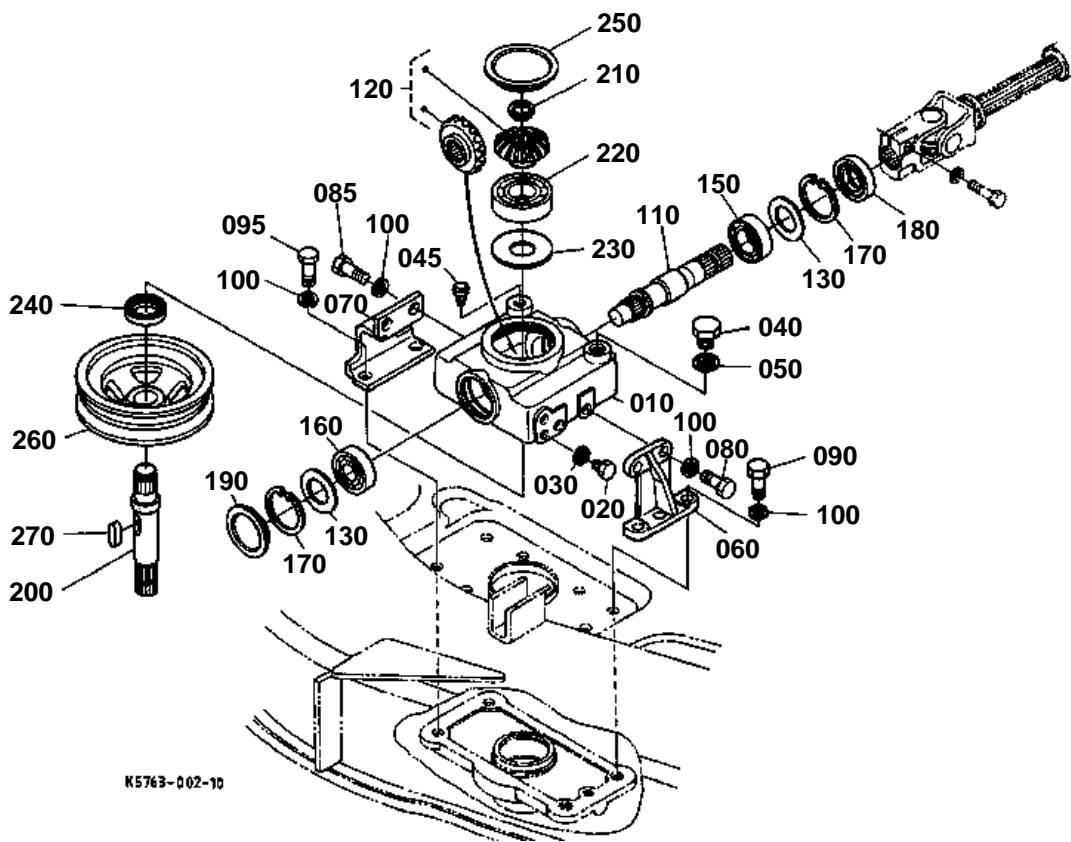


UNIVERSAL JOINT

↔ Interchangeable; ≠ not interchangeable; ← new for old; → old for new

| REF.No | Part No. | Description | Q'ty | S.No. | I/C | REMARKS | Weight (kgf) | Weight (lb) |
|--------|-------------|--------------------|------|-------|-----|------------|--------------|-------------|
| 010 | K5763-32030 | JOINT UNIVERSAL | 1 | | | | 3.75 | 8.25 |
| 015 | K5763-73120 | LABEL ROTATION | 1 | | | | 0.002 | 0.0044 |
| 020 | K5763-31150 | YOKE QUICK | 1 | | | | 0.58 | 1.276 |
| 025 | K5763-31220 | KIT COUPLER REPAIR | 1 | | | | 0.23 | 0.506 |
| 030 | K5651-31130 | YOKE PTO | 1 | | | | 0.4 | 0.88 |
| 040 | K5763-31140 | YOKE SHAFT | 1 | | | | 1.22 | 2.684 |
| 050 | K5651-31170 | YOKE JOINT | 1 | | | | 0.97 | 2.134 |
| 060 | K5651-31160 | NIPPLE GREASE | 1 | | | | 0.002 | 0.0044 |
| 070 | K5651-31180 | ASSY JOINT CROSS | 2 | | | | 0.3 | 0.66 |
| 080 | K5651-32120 | RING SNAP | 8 | | | (24-14673) | 0.002 | 0.0044 |
| 090 | K5651-31210 | NIPPLE GREASE | 2 | | | | 0.011 | 0.0242 |
| 100 | 01153-51035 | BOLT | 1 | | | (P1.50B14) | 0.025 | 0.055 |
| 110 | 04512-60100 | WASHER SPRING | 1 | | | | 0.002 | 0.0044 |

BEVEL GEAR CASE

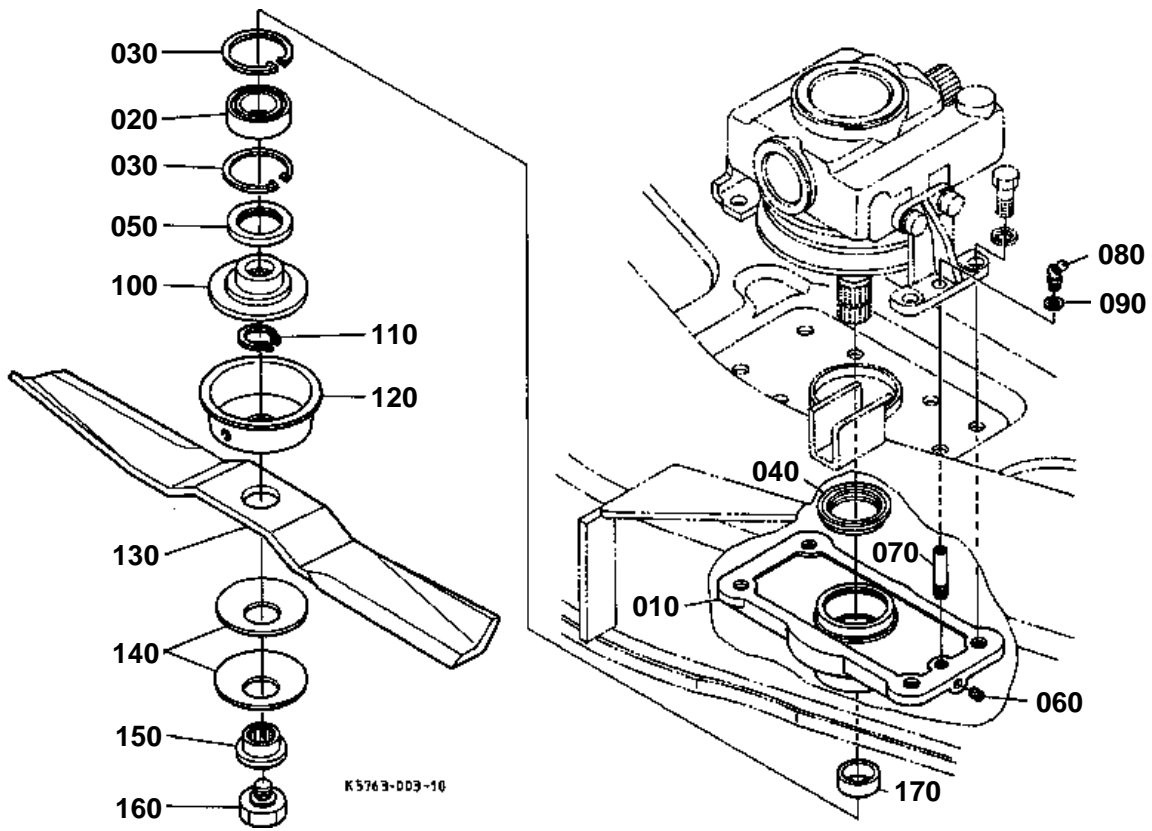


**BEVEL GEAR CASE**

↔ Interchangeable; ≠ not interchangeable; ← new for old; → old for new

| REF.No | Part No. | Description | Q'ty | S.No. | I/C | REMARKS | Weight (kgf) | Weight (lb) |
|--------|-------------|--------------------|------|-------|-----|------------|--------------|-------------|
| 010 | K5761-33115 | CASE BEVEL GEAR | 1 | | | | 3.82 | 8.404 |
| 020 | 01153-50812 | BOLT | 2 | | | | 0.008 | 0.0176 |
| 030 | 04717-00800 | WASHER WITH RUBBER | 2 | | | | 0.001 | 0.0022 |
| 040 | 06331-35016 | PLUG | 1 | | | | 0.04 | 0.088 |
| 045 | K5761-33250 | PLUG BREATHER | 1 | | | | 0.006 | 0.0132 |
| 050 | 04711-00300 | GASKET | 1 | | | | 0.001 | 0.0022 |
| 060 | K5763-33130 | STAY CASE LH | 1 | | | | 0.48 | 1.056 |
| 070 | K5763-33150 | STAY CASE RH | 1 | | | | 0.53 | 1.166 |
| 080 | K5763-33210 | BOLT REAMER | 2 | | | (30) | 0.04 | 0.088 |
| 085 | 01073-51225 | BOLT | 2 | | | (P1.25B19) | 0.035 | 0.077 |
| 090 | K5763-33230 | BOLT REAMER | 2 | | | (35) | 0.045 | 0.099 |
| 095 | 01073-51230 | BOLT | 2 | | | (P1.25B19) | 0.041 | 0.0902 |
| 100 | 04512-60120 | WASHER SPRING | 8 | | | (35) | 0.005 | 0.011 |
| 110 | K5763-33310 | SHAFT PINION | 1 | | | | 0.66 | 1.452 |
| 120 | K5763-33320 | KIT GEAR BEVEL | 1 | | | | 0.45 | 0.99 |
| 130 | 36330-28420 | SHIM | 2 | | | 0.2mm | 0.002 | 0.0044 |
| 130 | 36330-28410 | SHIM | 2 | | | 0.3mm | 0.002 | 0.0044 |
| 140 | 99999-99999 | BLANK | 0 | | | | 0 | 0 |
| 150 | 08101-06205 | BEARING BALL | 1 | | | | 0.14 | 0.308 |
| 160 | 08101-06304 | BEARING BALL | 1 | | | | 0.146 | 0.3212 |
| 170 | 04611-00520 | CIR CLIP INTERNAL | 2 | | | | 0.009 | 0.0198 |
| 180 | 76535-33440 | SEAL OIL | 1 | | | | 0.02 | 0.044 |
| 190 | 63313-32270 | CAP | 1 | | | | 0.03 | 0.066 |
| 200 | K5763-33500 | SHAFT BEVEL GEAR | 1 | | | | 0.55 | 1.21 |
| 210 | 04612-00220 | CIR CLIP EXTERNAL | 1 | | | | 0.001 | 0.0022 |
| 220 | 70712-33550 | BEARING BALL | 1 | | | (62/32) | 0.22 | 0.484 |
| 230 | 70712-33570 | SHIM | 1 | | | 0.1mm | 0.001 | 0.0022 |
| 230 | 76539-33410 | SHIM | 1 | | | 0.2mm | 0.001 | 0.0022 |
| 240 | K5761-33540 | SEAL OIL | 1 | | | (TC30477) | 0.012 | 0.0264 |
| 250 | 7C765-51260 | CAP | 1 | | | | 0.07 | 0.154 |
| 260 | K5761-33520 | PULLEY CENTER | 1 | | | | 1.92 | 4.224 |
| 270 | 05712-00728 | KEY FEATHER | 1 | | | | 0.01 | 0.022 |

PULLEY HOLDER

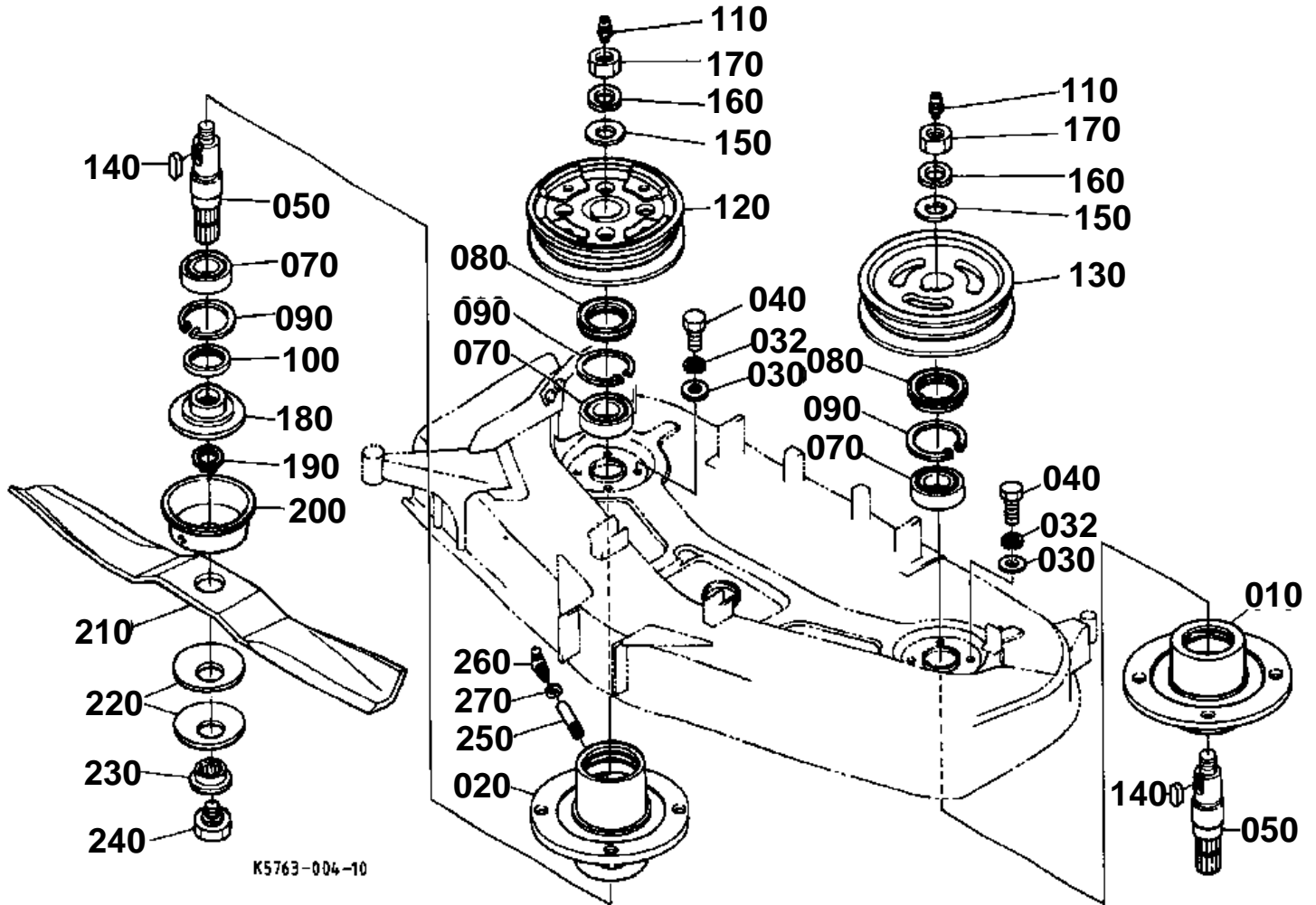




PULLEY HOLDER

↔ Interchangeable; ≠ not interchangeable; ← new for old; → old for new

| REF.No | Part No. | Description | Q'ty | S.No. | I/C | REMARKS | Weight (kgf) | Weight (lb) |
|--------|-------------|----------------------|------|-------|-----|------------|--------------|-------------|
| 010 | K5763-34110 | HOLDER PULLEY CENTER | 1 | | | | 2.92 | 6.424 |
| 020 | 08101-06205 | BEARING BALL | 1 | | | (6205) | 0.14 | 0.308 |
| 030 | 04611-00520 | CIR CLIP INTERNAL | 2 | | | | 0.009 | 0.0198 |
| 040 | 70722-34120 | OIL SEAL UPPER | 1 | | | | 0.025 | 0.055 |
| 050 | 70725-34162 | OIL SEAL LOWER | 1 | | | | 0.024 | 0.0528 |
| 060 | 03410-50608 | SCREW SET | 1 | | | | 0.001 | 0.0022 |
| 070 | K5763-34130 | PIPE EXTENSION | 1 | | | | 0.28 | 0.616 |
| 080 | K5763-44250 | NIPPLE GREASE | 1 | | | (45DEG.) | 0.01 | 0.022 |
| 090 | K5763-27340 | SHIM ADJUST | 1 | | | | 0.001 | 0.0022 |
| 100 | K5761-34152 | BOSS SPLINE | 1 | | | | 0.28 | 0.616 |
| 110 | 04612-00220 | CIR CLIP EXTERNAL | 1 | | | | 0.001 | 0.0022 |
| 120 | K5651-34310 | COVER DUST | 1 | | | | 0.1 | 0.22 |
| 130 | K5651-34340 | BLADE H20 | 1 | | | | 1.55 | 3.41 |
| 140 | K5651-34350 | SPRING PLATE | 2 | | | | 0.07 | 0.154 |
| 150 | 76539-34392 | BOSS SPLINE 2 | 1 | | | | 0.06 | 0.132 |
| 160 | K5651-34370 | BOLT | 1 | | | (M12*1.25) | 0.08 | 0.176 |
| 170 | K5763-33520 | COLLAR CENTER | 1 | | | | 0.035 | 0.077 |

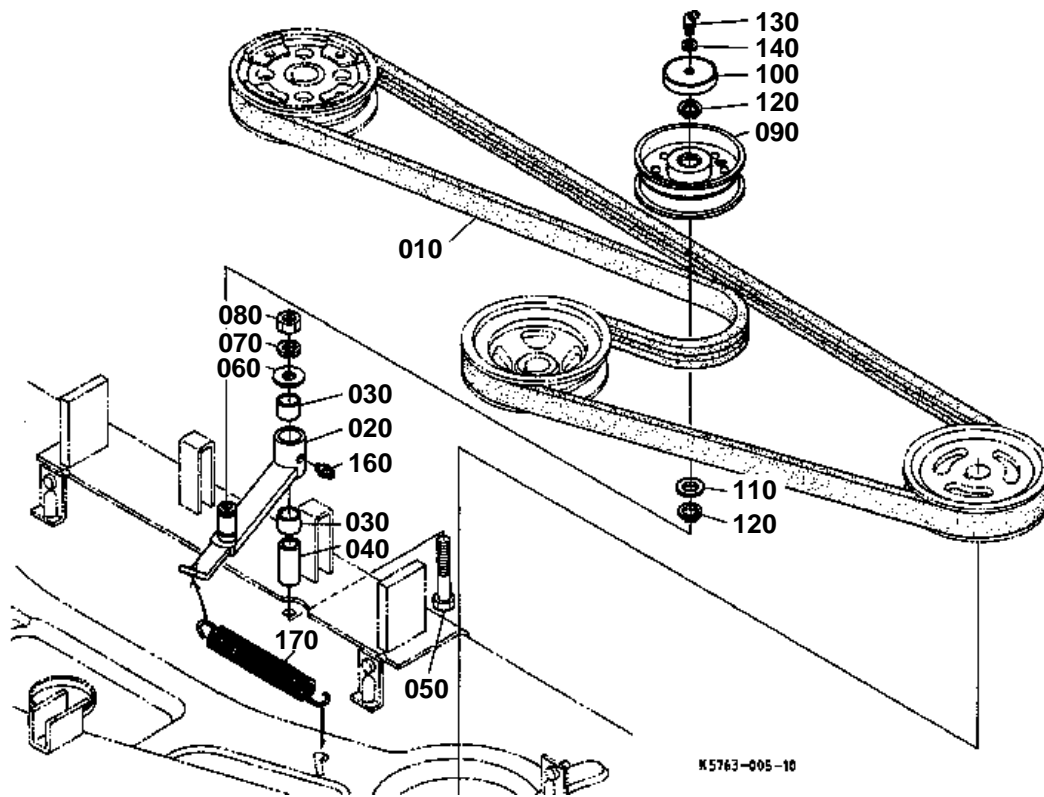


**BLADE**

↔ Interchangeable; ≠ not interchangeable; ← new for old; → old for new

| REF.No | Part No. | Description | Q'ty | S.No. | I/C | REMARKS | Weight (kgf) | Weight (lb) |
|--------|-------------|--------------------|------|-------|-----|------------|--------------|-------------|
| 010 | K5651-34510 | HOLDER PULLEY SIDE | 1 | | | | 2.35 | 5.17 |
| 020 | K5763-34520 | HOLDER PULLEY RH | 1 | | | | 2.34 | 5.148 |
| 030 | 75599-32015 | WASHER PLAIN | 8 | | | (1/2) | 0.01 | 0.022 |
| 032 | 04512-60120 | WASHER SPRING | 8 | | | | 0.005 | 0.011 |
| 040 | 01073-51225 | BOLT | 8 | | | (P1.25B19) | 0.035 | 0.077 |
| 050 | K5651-34550 | SHAFT BLADE | 2 | | | | 0.55 | 1.21 |
| 060 | 99999-99999 | BLANK | 0 | | | | 0 | 0 |
| 070 | 08101-06205 | BEARING BALL | 4 | | | (6205) | 0.14 | 0.308 |
| 080 | 70722-34120 | OIL SEAL UPPER | 2 | | | | 0.025 | 0.055 |
| 090 | 04611-00520 | CIR CLIP INTERNAL | 4 | | | | 0.009 | 0.0198 |
| 100 | 70725-34162 | OIL SEAL LOWER | 2 | | | | 0.024 | 0.0528 |
| 110 | K1122-15150 | NIPPLE GREASE | 2 | | | (M6*1.0) | 0.002 | 0.0044 |
| 120 | K5763-33570 | PULLEY SIDE RH | 1 | | | | 1.75 | 3.85 |
| 130 | K5651-33580 | PULLY SIDE | 1 | | | | 1.6 | 3.52 |
| 140 | 05712-00722 | KEY FEATHER | 2 | | | | 0.009 | 0.0198 |
| 150 | K5651-34560 | WASHER PLAIN | 2 | | | | 0.024 | 0.0528 |
| 160 | 04512-60160 | WASHER SPRING | 2 | | | | 0.01 | 0.022 |
| 170 | 02074-50160 | NUT | 2 | | | | 0.029 | 0.0638 |
| 180 | K5761-34152 | BOSS SPLINE | 2 | | | | 0.28 | 0.616 |
| 190 | 04612-00220 | CIR CLIP EXTERNAL | 2 | | | | 0.001 | 0.0022 |
| 200 | K5651-34310 | COVER DUST | 2 | | | | 0.1 | 0.22 |
| 210 | K5651-34340 | BLADE H20 | 2 | | | | 1.55 | 3.41 |
| 220 | K5651-34350 | SPRING PLATE | 4 | | | | 0.07 | 0.154 |
| 230 | 76539-34392 | BOSS SPLINE 2 | 2 | | | | 0.06 | 0.132 |
| 240 | K5651-34370 | BOLT | 2 | | | (M12*1.25) | 0.08 | 0.176 |
| 250 | K5763-34130 | PIPE EXTENSION | 1 | | | | 0.28 | 0.616 |
| 260 | K5763-44250 | NIPPLE GREASE | 1 | | | (45DEG.) | 0.01 | 0.022 |
| 270 | K5763-27340 | SHIM ADJUST | 1 | | | | 0.001 | 0.0022 |

TENSION PULLEY



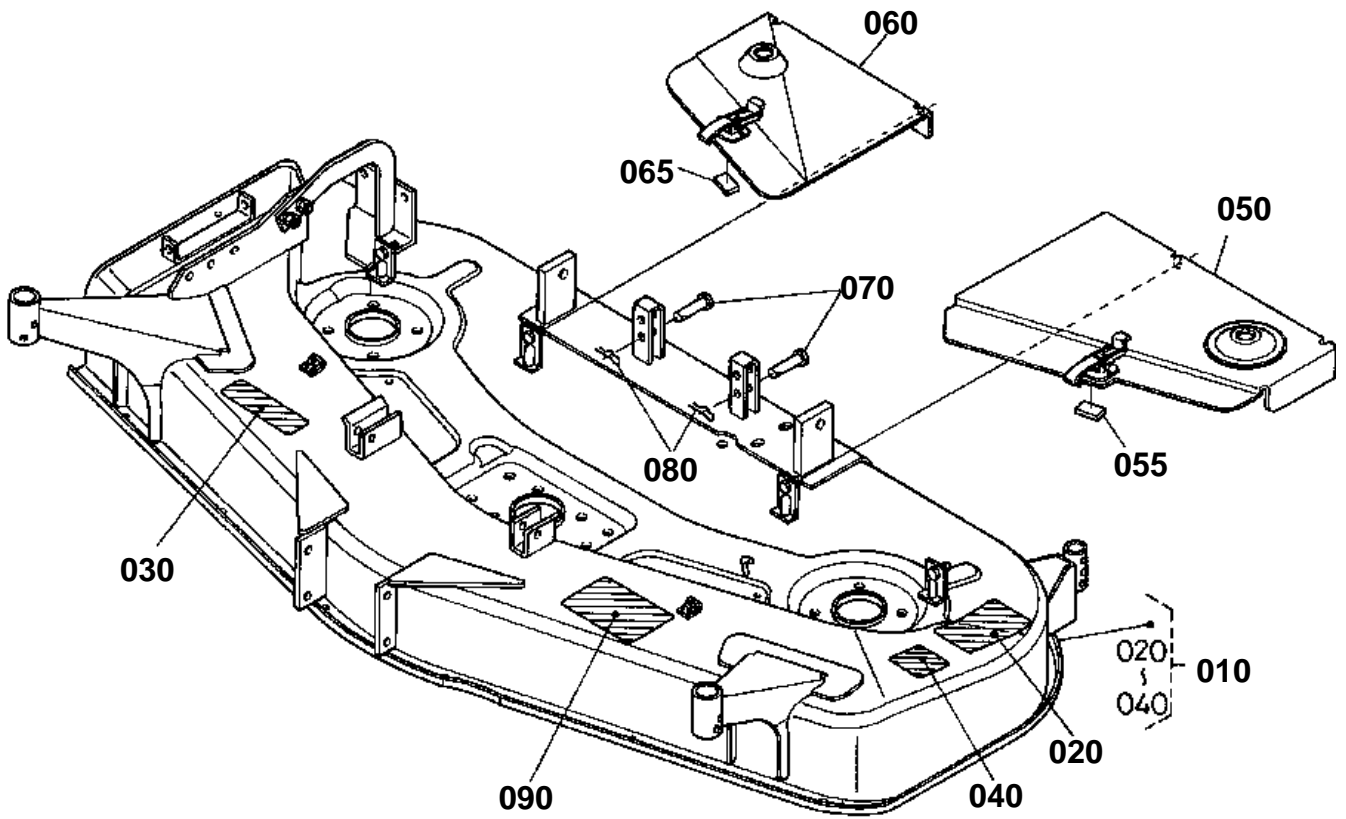


TENSION PULLEY

↔ Interchangeable; ≠ not interchangeable; ← new for old; → old for new

| REF.No | Part No. | Description | Q'ty | S.No. | I/C | REMARKS | Weight (kgf) | Weight (lb) |
|--------|-------------|-------------------|------|-------|-----|------------|--------------|-------------|
| 010 | K5763-34710 | BELT MULTI | 1 | | | (119in.) | 0.89 | 1.958 |
| 020 | K5763-34730 | ARM TENSION | 1 | | | | 0.58 | 1.276 |
| 030 | K5651-20150 | BUSHING TENSION | 2 | | | | 0.017 | 0.0374 |
| 040 | K5651-34780 | COLLAR TENSION | 1 | | | | 0.055 | 0.121 |
| 050 | 01073-51270 | BOLT | 1 | | | (P1.25B19) | 0.06 | 0.132 |
| 060 | 75599-32015 | WASHER PLAIN | 1 | | | (1/2) | 0.01 | 0.022 |
| 070 | 04512-60120 | WASHER SPRING | 1 | | | | 0.005 | 0.011 |
| 080 | 02074-50120 | NUT | 1 | | | (P1.25B19) | 0.015 | 0.033 |
| 090 | K5651-34880 | PULLEY TENSION | 1 | | | | 0.55 | 1.21 |
| 100 | K5651-34790 | COVER TENSION | 1 | | | | 0.02 | 0.044 |
| 110 | K5651-34800 | SEAL BEARING | 1 | | | | 0.001 | 0.0022 |
| 120 | 04612-00170 | CIR CLIP EXTERNAL | 2 | | | | 0.001 | 0.0022 |
| 130 | K5763-12100 | NIPPLE GREASE | 1 | | | (45DEG.) | 0.007 | 0.0154 |
| 140 | K5763-27350 | SHIM ADJUST | 1 | | | (M8) | 0.001 | 0.0022 |
| 150 | 99999-99999 | BLANK | 0 | | | | 0 | 0 |
| 160 | K1122-15150 | NIPPLE GREASE | 1 | | | (M6*1.0) | 0.002 | 0.0044 |
| 170 | K5763-34750 | SPRING TENSION | 1 | | | | 0.17 | 0.374 |

MOWER DECK



K5772-001-10

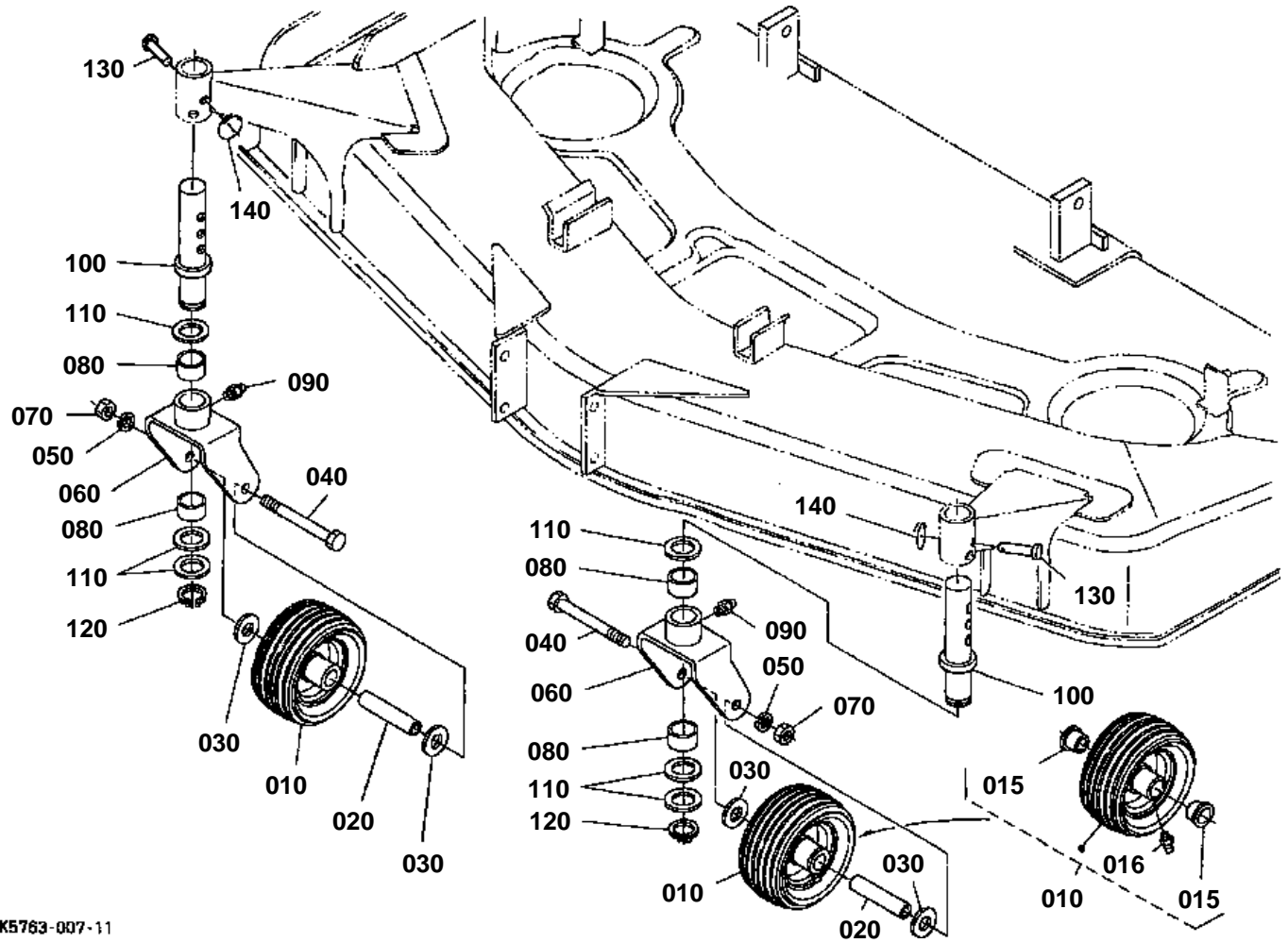


MOWER DECK

↔ Interchangeable; ≠ not interchangeable; ← new for old; → old for new

| REF.No | Part No. | Description | Q'ty | S.No. | I/C | REMARKS | Weight (kgf) | Weight (lb) |
|--------|-------------|-----------------|------|-------|-----|-------------|--------------|-------------|
| 010 | K5763-41100 | ASSY MOWER DECK | 1 | | | | 9 | 19.8 |
| 020 | K5763-47150 | LABEL CAUTION | 1 | | | | 0.011 | 0.0242 |
| 030 | K5112-73110 | LABEL DANGER 1 | 1 | | | | 0.002 | 0.0044 |
| 040 | K5112-73120 | LABEL DANGER 2 | 1 | | | | 0.001 | 0.0022 |
| 050 | K5763-41180 | COVER LEFT | 1 | | | | 2 | 4.4 |
| 055 | K1122-57163 | PLATE RUBBER | 1 | | | | 0.001 | 0.0022 |
| 060 | K5651-41200 | COVER RIGHT | 1 | | | | 1.35 | 2.97 |
| 065 | K1122-57163 | PLATE RUBBER | 1 | | | | 0.001 | 0.0022 |
| 070 | 75599-51535 | PIN CLEVIS | 2 | | | (1/2*1-3/4) | 0.048 | 0.1056 |
| 080 | 75599-56006 | HAIRPIN COTTER | 2 | | | | 0.01 | 0.022 |
| 090 | K5763-41190 | LABEL HEIGHT | 1 | | | | 0.008 | 0.0176 |

FRONT GAUGE WHEEL



K5763-007-11

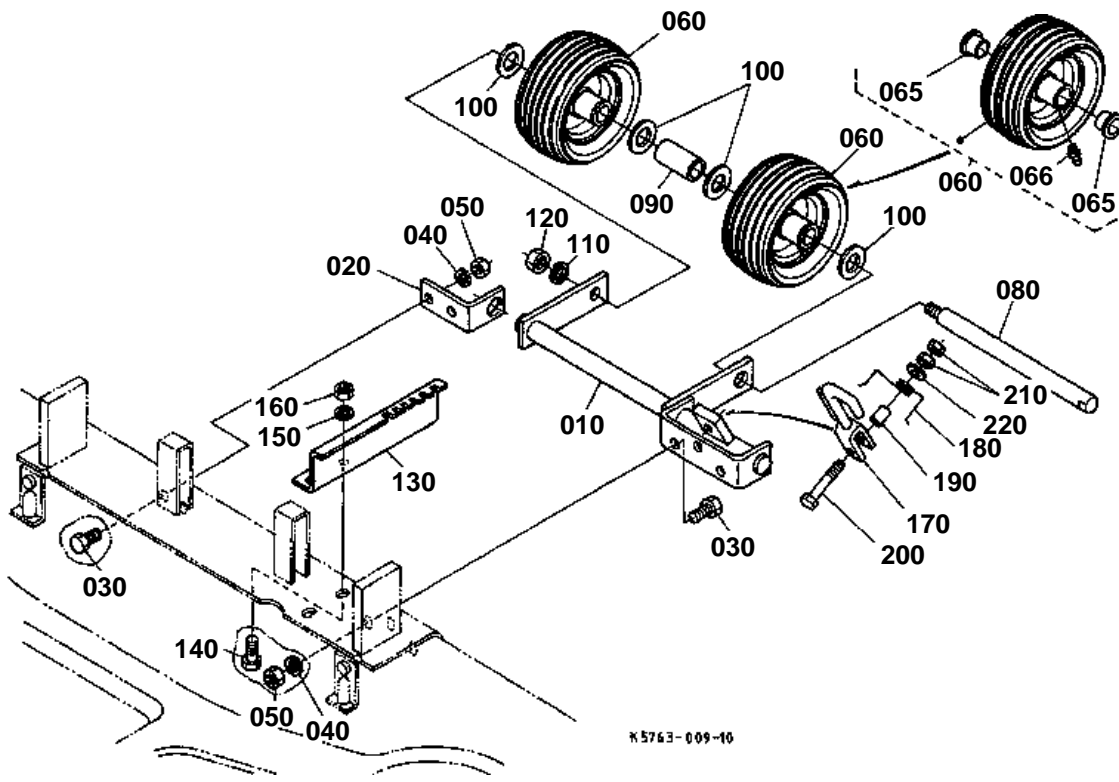


FRONT GAUGE WHEEL

↔ Interchangeable; ≠ not interchangeable; ← new for old; → old for new

| REF.No | Part No. | Description | Q'ty | S.No. | I/C | REMARKS | Weight (kgf) | Weight (lb) |
|--------|-------------|----------------------|------|-------|-----|----------------|--------------|-------------|
| 010 | K5763-42130 | ASSY WHEEL GA 6.25*3 | 2 | | | (60.25*3) | 1.8 | 3.96 |
| 015 | K5763-74270 | BUSHING 0.75 I.D. | 8 | | | | 0.06 | 0.132 |
| 016 | K5763-74280 | NIPPLE GREASE | 4 | | | (#47606) | 0.009 | 0.0198 |
| 020 | K5763-42120 | COLLAR WHEEL | 2 | | | | 0.115 | 0.253 |
| 030 | 75599-32018 | WASHER PLAIN | 4 | | | (3/4) | 0.017 | 0.0374 |
| 040 | 01173-61204 | BOLT | 2 | | | (P1.25B19L120) | 0.105 | 0.231 |
| 050 | 04512-60120 | WASHER SPRING | 2 | | | | 0.005 | 0.011 |
| 060 | K5763-34200 | HOLDER GAUGE | 2 | | | | 1.15 | 2.53 |
| 070 | 02074-50120 | NUT | 2 | | | (P1.25B19) | 0.015 | 0.033 |
| 080 | K5763-42190 | BUSHING GAUGE HOLDER | 4 | | | | 0.028 | 0.0616 |
| 090 | K1122-15150 | NIPPLE GREASE | 2 | | | (M6*1.0) | 0.002 | 0.0044 |
| 100 | K5763-43110 | SHAFT HOLDER | 2 | | | | 1.14 | 2.508 |
| 110 | K5651-43150 | COLLAR HOLDER | 6 | | | | 0.01 | 0.022 |
| 120 | 04612-00300 | CIR CLIP EXTERNAL | 2 | | | | 0.003 | 0.0066 |
| 130 | 75599-51345 | PIN CLEVIS | 2 | | | (3/8) | 0.05 | 0.11 |
| 140 | K5112-72730 | RING SNAP | 2 | | | | 0.01 | 0.022 |

REAR WHEEL



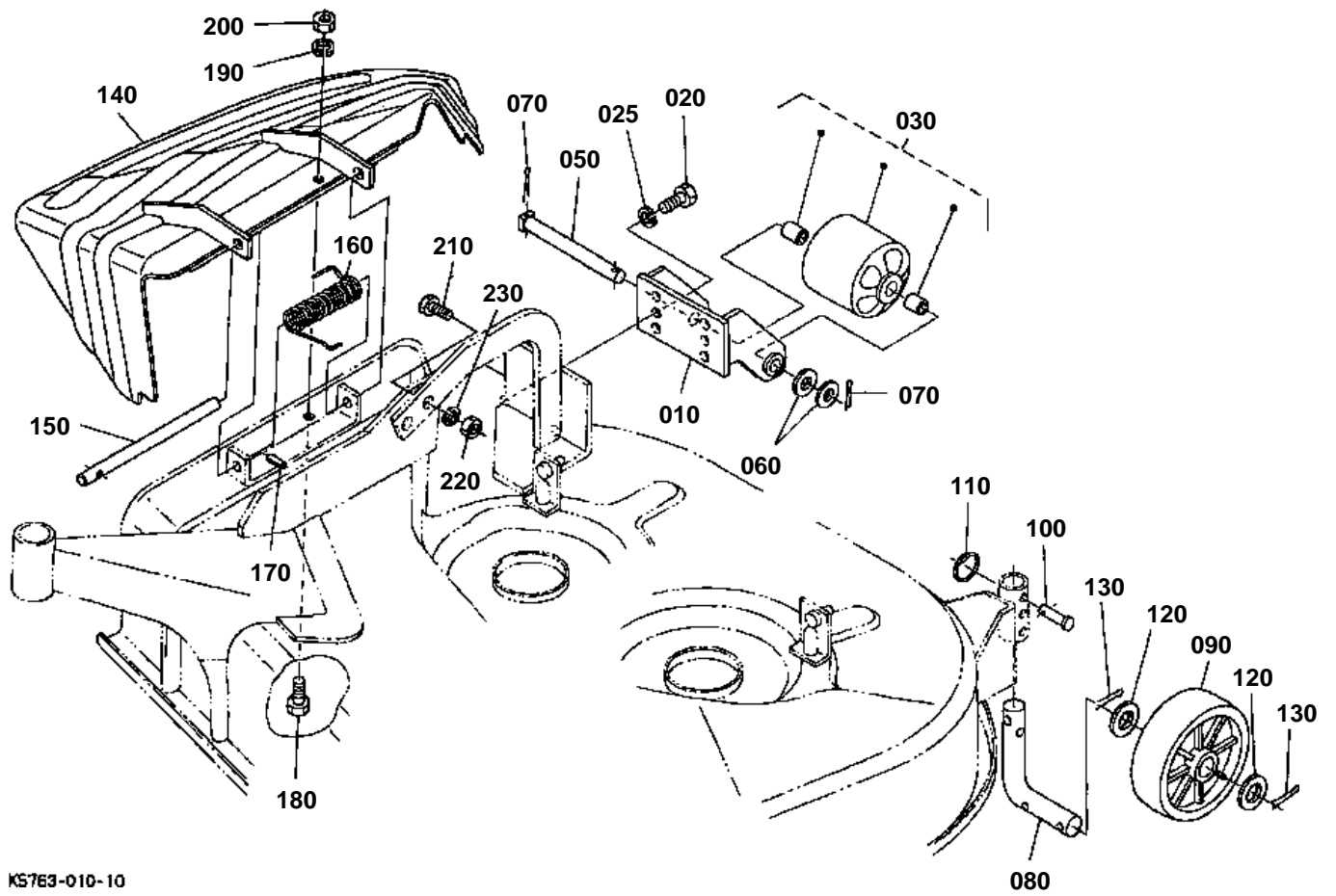


REAR WHEEL

↔ Interchangeable; ≠ not interchangeable; ← new for old; → old for new

| REF.No | Part No. | Description | Q'ty | S.No. | I/C | REMARKS | Weight (kgf) | Weight (lb) |
|--------|-------------|----------------------|------|-------|-----|------------|--------------|-------------|
| 010 | K5763-44110 | ARM REAR WHEEL | 1 | | | | 2.35 | 5.17 |
| 020 | K5763-44130 | BRACKET REAR WHEEL | 1 | | | | 0.21 | 0.462 |
| 030 | 01073-51025 | BOLT | 5 | | | (P1.25B17) | 0.025 | 0.055 |
| 040 | 04512-60100 | WASHER SPRING | 5 | | | | 0.002 | 0.0044 |
| 050 | 02018-50100 | NUT | 5 | | | (P1.25B17) | 0.011 | 0.0242 |
| 060 | K5763-42130 | ASSY WHEEL GA 6.25*3 | 2 | | | (6.25*3) | 1.8 | 3.96 |
| 065 | K5763-74270 | BUSHING 0.75 I.D. | 8 | | | | 0.06 | 0.132 |
| 066 | K5763-74280 | NIPPLE GREASE | 4 | | | (#47606) | 0.009 | 0.0198 |
| 070 | 99999-99999 | BLANK | 0 | | | | 0 | 0 |
| 080 | K5763-44170 | SHAFT REAR WHEEL | 1 | | | | 0.58 | 1.276 |
| 090 | K5763-44180 | COLLAR REAR WHEEL | 1 | | | | 0.12 | 0.264 |
| 100 | 75599-32018 | WASHER PLAIN | 4 | | | (3/4) | 0.017 | 0.0374 |
| 110 | 04512-60120 | WASHER SPRING | 1 | | | | 0.005 | 0.011 |
| 120 | 02074-50120 | NUT | 1 | | | (P1.25B19) | 0.015 | 0.033 |
| 130 | K5763-45110 | PLATE GUIDE | 1 | | | | 0.65 | 1.43 |
| 140 | 01073-51025 | BOLT | 2 | | | (P1.25B17) | 0.025 | 0.055 |
| 150 | 04512-60100 | WASHER SPRING | 2 | | | | 0.002 | 0.0044 |
| 160 | 02018-50100 | NUT | 2 | | | (P1.25B17) | 0.011 | 0.0242 |
| 170 | K5763-45172 | LEVER REAR WHEEL | 1 | | | | 0.34 | 0.748 |
| 180 | K5763-45190 | SPRING RETURN | 1 | | | | 0.03 | 0.066 |
| 190 | K5763-33190 | COLLAR LEVER | 1 | | | | 0.012 | 0.0264 |
| 200 | 01053-50860 | BOLT | 1 | | | (P1.25B13) | 0.024 | 0.0528 |
| 210 | 02054-50080 | NUT | 2 | | | (P1.25B13) | 0.005 | 0.011 |
| 220 | 75599-32012 | WASHER PLAIN | 1 | | | (5/16) | 0.002 | 0.0044 |

DISCHARGE COVER



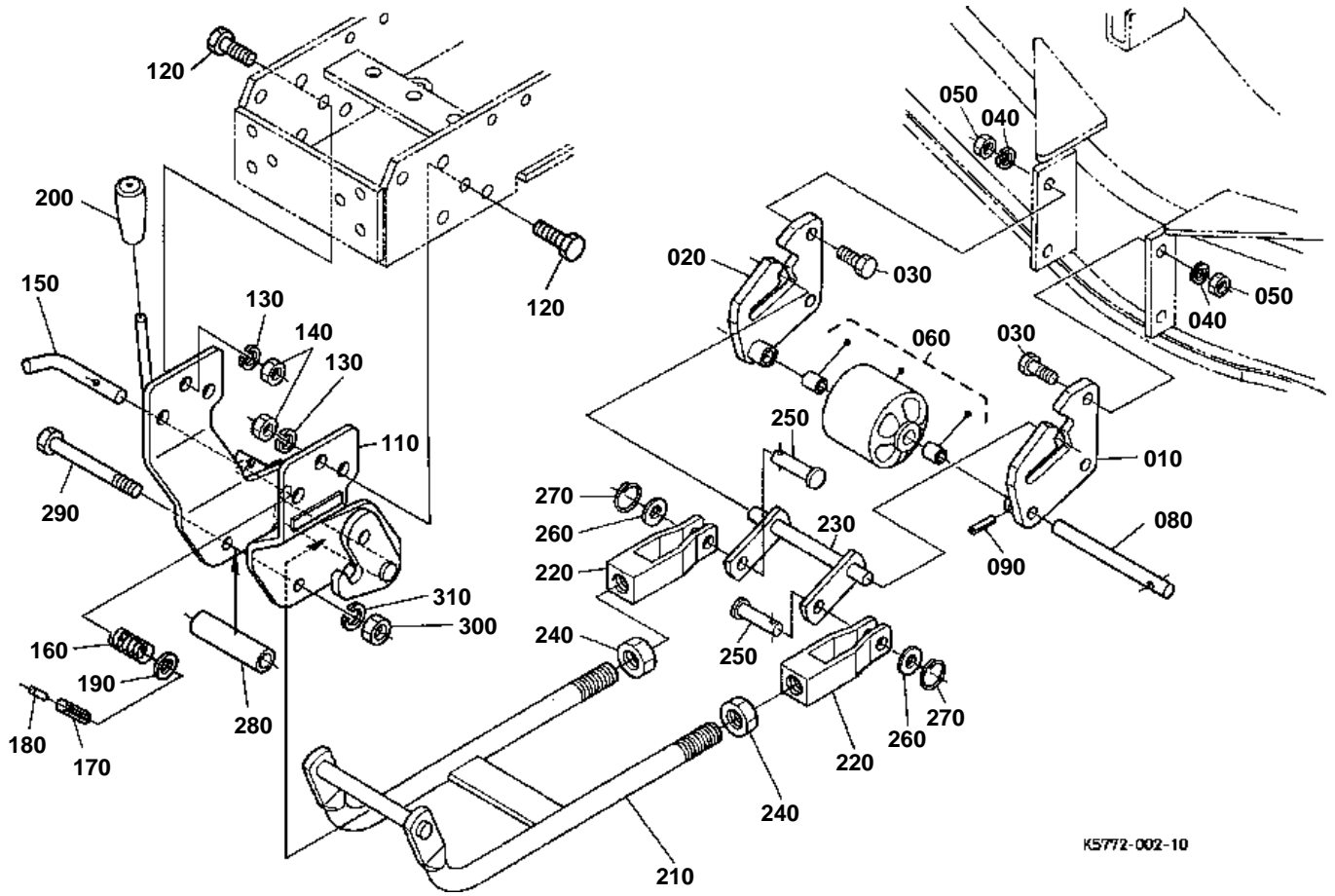
KS7E3-010-10

**DISCHARGE COVER**

↔ Interchangeable; ≠ not interchangeable; ← new for old; → old for new

| REF.No | Part No. | Description | Q'ty | S.No. | I/C | REMARKS | Weight (kgf) | Weight (lb) |
|--------|-------------|---------------------|------|-------|-----|--------------|--------------|-------------|
| 010 | K5763-46140 | SUPPORT STAY ROLLER | 1 | | | | 0.7 | 1.54 |
| 020 | 01073-51025 | BOLT | 2 | | | (P1.25B17) | 0.025 | 0.055 |
| 025 | 04512-60100 | WASHER SPRING | 2 | | | | 0.002 | 0.0044 |
| 030 | K5763-46250 | ROLLER ANTI-SCALP | 1 | | | (3.0S) | 0.32 | 0.704 |
| 040 | 99999-99999 | BLANK | 0 | | | | 0 | 0 |
| 050 | K5651-46180 | PIN GAUGE | 1 | | | | 0.15 | 0.33 |
| 060 | 75599-32015 | WASHER PLAIN | 2 | | | (1/2) | 0.01 | 0.022 |
| 070 | 75599-53173 | PIN COTTER | 2 | | | (1/8*1) | 0.002 | 0.0044 |
| 080 | K5763-61690 | SHAFT ROLLER LH | 1 | | | | 0.39 | 0.858 |
| 090 | K5763-61700 | ROLLER ANTI-SCALP | 1 | | | (5.0*1.5) | 0.214 | 0.4708 |
| 100 | 75599-51227 | PIN CLEVIS | 1 | | | (5/16*1-3/8) | 0.014 | 0.0308 |
| 110 | K5142-72730 | RING SNAP 2 | 1 | | | (2) | 0.003 | 0.0066 |
| 120 | 75599-32018 | WASHER PLAIN | 2 | | | (3/4) | 0.017 | 0.0374 |
| 130 | 75599-53174 | PIN COTTER | 2 | | | (1/8*1-1/4) | 0.003 | 0.0066 |
| 140 | K5651-47110 | COVER DISCHARGE | 1 | | | | 4.8 | 10.56 |
| 150 | K5651-47150 | PIN DISCHARGE | 1 | | | | 0.2 | 0.44 |
| 160 | K5651-47160 | SPRING DISCHARGE | 1 | | | | 0.12 | 0.264 |
| 170 | 75599-52525 | PIN SPRING | 1 | | | (7/32*1-3/4) | 0.004 | 0.0088 |
| 180 | 01073-51030 | BOLT | 1 | | | (P1.25B17) | 0.028 | 0.0616 |
| 190 | 04512-60100 | WASHER SPRING | 1 | | | | 0.002 | 0.0044 |
| 200 | 02018-50100 | NUT | 1 | | | (P1.25B17) | 0.011 | 0.0242 |
| 210 | 01073-51030 | BOLT | 2 | | | | 0.028 | 0.0616 |
| 220 | 02018-50100 | NUT | 2 | | | | 0.011 | 0.0242 |
| 230 | 04512-60100 | WASHER SPRING | 2 | | | | 0.002 | 0.0044 |

LINKAGE



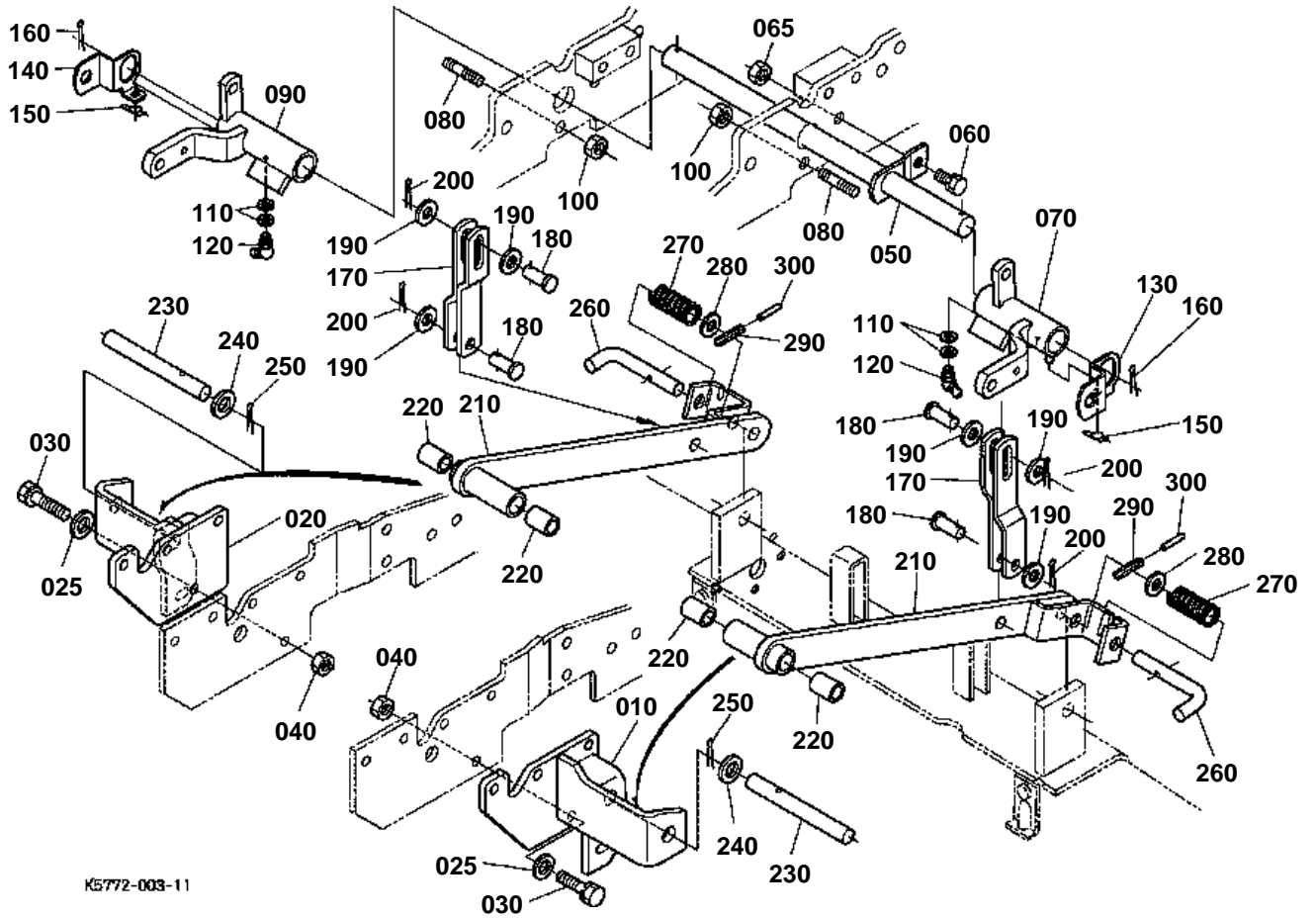


LINKAGE

↔ Interchangeable; ≠ not interchangeable; ← new for old; → old for new

| REF.No | Part No. | Description | Q'ty | S.No. | I/C | REMARKS | Weight (kgf) | Weight (lb) |
|--------|-------------|-------------------|------|-------|-----|--------------|--------------|-------------|
| 010 | K5763-46110 | BRACKET LH B | 1 | | | | 0.74 | 1.628 |
| 020 | K5763-46120 | BRACKET RH B | 1 | | | | 0.74 | 1.628 |
| 030 | 01073-51030 | BOLT | 4 | | | (P1.25B17) | 0.028 | 0.0616 |
| 040 | 04512-60100 | WASHER SPRING | 4 | | | | 0.002 | 0.0044 |
| 050 | 02018-50100 | NUT | 4 | | | (P1.25B17) | 0.011 | 0.0242 |
| 060 | K5763-46250 | ROLLER ANTI-SCALP | 1 | | | (3.0S) | 0.32 | 0.704 |
| 070 | 99999-99999 | BLANK | 0 | | | | 0 | 0 |
| 080 | K5763-46170 | PIN GAUGE FRONT | 1 | | | | 0.16 | 0.352 |
| 090 | 75599-52515 | PIN SPRING | 1 | | | (7/32-3/4) | 0.003 | 0.0066 |
| 100 | 99999-99999 | BLANK | 0 | | | | 0 | 0 |
| 110 | K5772-44510 | STAY FRONT | 1 | | | | 0 | 0 |
| 120 | 01073-51435 | BOLT | 6 | | | (P1.50B22) | 0.063 | 0.1386 |
| 130 | 75599-33016 | WASHER SPRING | 6 | | | (9/16) | 0.08 | 0.176 |
| 140 | 02074-50140 | NUT | 6 | | | (P1.50B22) | 0.021 | 0.0462 |
| 150 | K5763-44540 | PIN FRONT | 1 | | | | 0.16 | 0.352 |
| 160 | K5763-44560 | SPRING PIN FRONT | 1 | | | | 0.01 | 0.022 |
| 170 | 75599-52532 | PIN SPRING | 1 | | | (7/32*1-5/8) | 0.005 | 0.011 |
| 180 | 75599-52232 | PIN SPRING | 1 | | | (1/8*1-5/8) | 0.002 | 0.0044 |
| 190 | 75599-32016 | WASHER PLAIN | 1 | | | (9/16) | 0.009 | 0.0198 |
| 200 | K5763-00120 | GRIP LEVER | 1 | | | | 0.048 | 0.1056 |
| 210 | K5763-44610 | LINK FRONT 1 | 1 | | | | 3.24 | 7.128 |
| 220 | K5763-44630 | LINK FRONT 2 | 2 | | | | 0.46 | 1.012 |
| 230 | K5763-44670 | LINK FRONT 3 | 1 | | | | 0.44 | 0.968 |
| 240 | 75599-31069 | HEX.NUT | 2 | | | (7/8*18UNF) | 0.082 | 0.1804 |
| 250 | 75599-51635 | PIN CLEVIS | 2 | | | (9/16*1-3/4) | 0.068 | 0.1496 |
| 260 | 75599-32016 | WASHER PLAIN | 2 | | | (9/16) | 0.009 | 0.0198 |
| 270 | K5112-72730 | RING SNAP | 2 | | | | 0.01 | 0.022 |
| 280 | K5771-44570 | TUBE SPACER | 1 | | | | 0.12 | 0.264 |
| 290 | 01073-51206 | BOLT | 1 | | | | 0.01 | 0.022 |
| 300 | 02074-50120 | NUT | 1 | | | | 0.015 | 0.033 |
| 310 | 04512-60120 | WASHER SPRING | 1 | | | | 0.005 | 0.011 |

LIFT LINKAGE

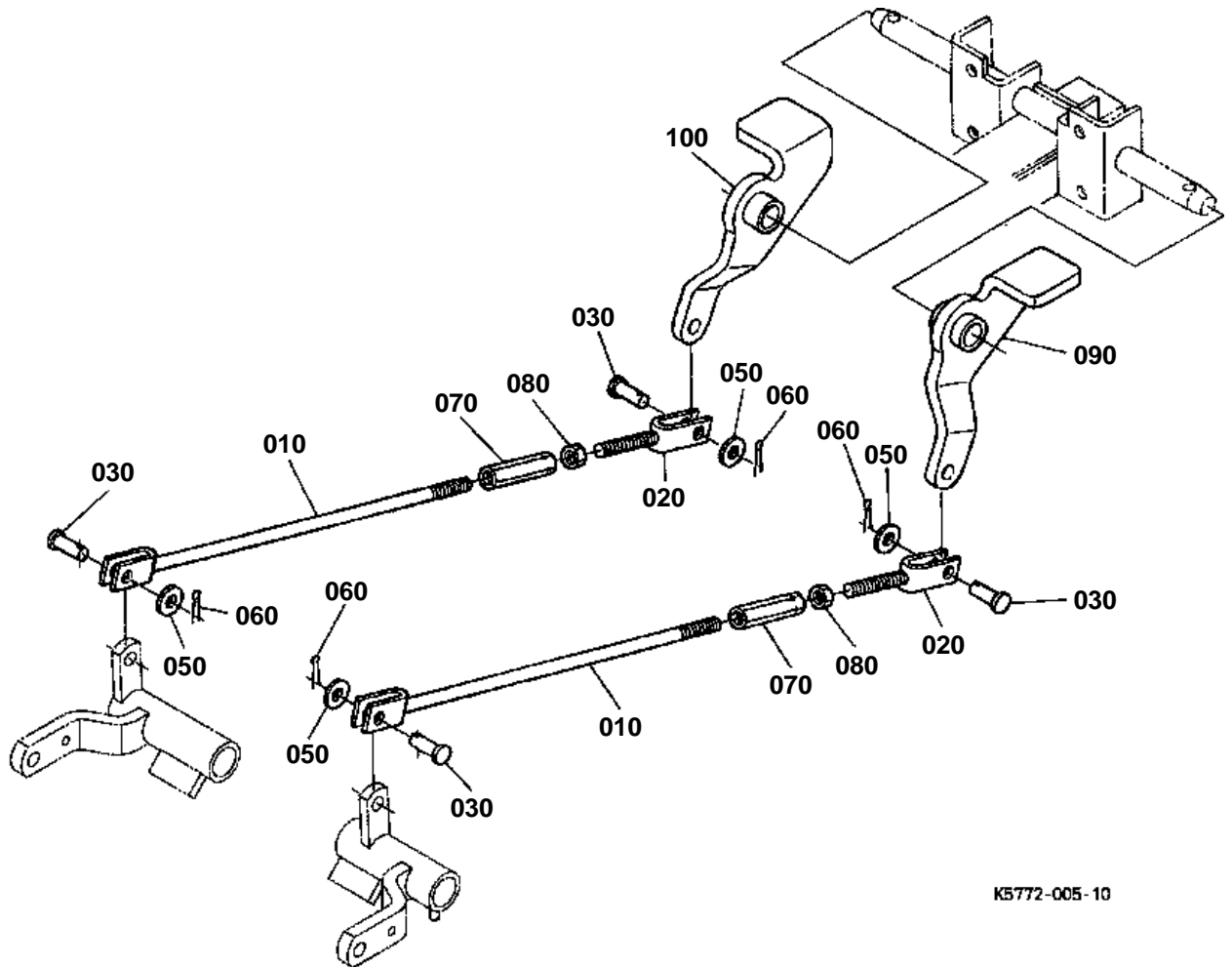


**LIFT LINKAGE**

↔ Interchangeable; ≠ not interchangeable; ← new for old; → old for new

| REF.No | Part No. | Description | Q'ty | S.No. | I/C | REMARKS | Weight (kgf) | Weight (lb) |
|--------|-------------|------------------|------|-------|-----|--------------|--------------|-------------|
| 010 | K5772-51110 | STAY FRONT LH | 1 | | | | 0 | 0 |
| 020 | K5772-51130 | STAY FRONT RH | 1 | | | | 0 | 0 |
| 025 | K5763-14950 | WASHER | 8 | | | | 0.01 | 0.022 |
| 030 | 01123-51245 | BOLT | 8 | | | | 0.048 | 0.1056 |
| 040 | 02114-50120 | NUT | 2 | | | | 0.011 | 0.0242 |
| 050 | K5772-51100 | SHAFT LIFT | 1 | | | | 0 | 0 |
| 060 | 01133-51225 | BOLT | 1 | | | | 0.035 | 0.077 |
| 065 | 02174-50120 | NUT | 1 | | | | 0.01 | 0.022 |
| 070 | K5772-51190 | ARM LIFT 2 LH | 1 | | | | 0 | 0 |
| 080 | 01575-51235 | STUD | 2 | | | | 0.04 | 0.088 |
| 090 | K5772-51210 | ARM LIFT 2 RH | 1 | | | | 0 | 0 |
| 100 | 02172-50120 | NUT | 2 | | | | 0.01 | 0.022 |
| 110 | K5763-27340 | SHIM ADJUST | 4 | | | | 0.001 | 0.0022 |
| 120 | K5763-44250 | NIPPLE GREASE | 2 | | | (45DEG.) | 0.01 | 0.022 |
| 130 | K5772-51300 | PLATE STOPPER LH | 1 | | | | 0 | 0 |
| 140 | K5772-51310 | PLATE STOPPER RH | 1 | | | | 0 | 0 |
| 150 | K1211-91120 | RUE RING COTTER | 2 | | | (5/16) | 0.001 | 0.0022 |
| 160 | 75599-53226 | PIN COTTER | 2 | | | (7/32*1-3/4) | 0.008 | 0.0176 |
| 170 | K5772-51250 | LINK LIFT | 2 | | | | 0 | 0 |
| 180 | 75599-51530 | PIN CLEVIS | 4 | | | (1/2*1-1/2) | 0.042 | 0.0924 |
| 190 | 75599-32015 | WASHER PLAIN | 6 | | | (1/2) | 0.01 | 0.022 |
| 200 | 75599-53174 | PIN COTTER | 4 | | | (1/8*1-1/4) | 0.003 | 0.0066 |
| 210 | K5772-51290 | LINK REAR | 2 | | | | 0 | 0 |
| 220 | K5763-51280 | BUSHING LINK | 4 | | | | 0.02 | 0.044 |
| 230 | K5772-51160 | PIN STAY | 2 | | | | 0 | 0 |
| 240 | K5763-51140 | WASHER PLAIN | 2 | | | | 0.013 | 0.0286 |
| 250 | 75599-53174 | PIN COTTER | 2 | | | (1/8*1-1/4) | 0.003 | 0.0066 |
| 260 | K5651-44650 | PIN REAR | 2 | | | | 0.2 | 0.44 |
| 270 | K5651-44670 | SPRING PIN | 2 | | | | 0.21 | 0.462 |
| 280 | 75599-32016 | WASHER PLAIN | 2 | | | (9/16) | 0.009 | 0.0198 |
| 290 | 75599-52532 | PIN SPRING | 2 | | | (7/32*1-5/8) | 0.005 | 0.011 |
| 300 | 75599-52232 | PIN SPRING | 2 | | | (1/8*1-5/8) | 0.002 | 0.0044 |

LIFT ARM



K5772-005-10

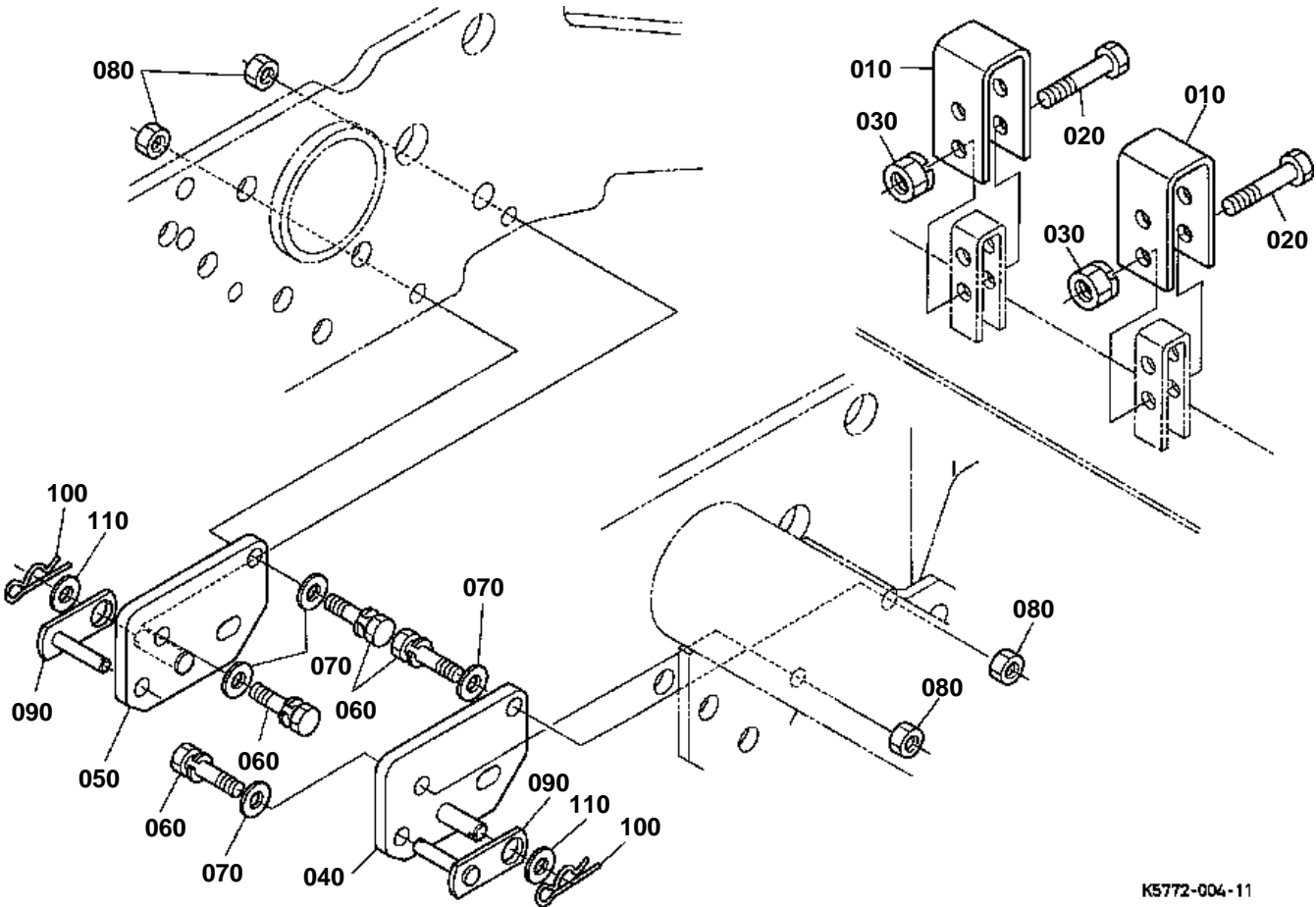


LIFT ARM

↔ Interchangeable; ≠ not interchangeable; ← new for old; → old for new

| REF.No | Part No. | Description | Q'ty | S.No. | I/C | REMARKS | Weight (kgf) | Weight (lb) |
|--------|-------------|---------------|------|-------|-----|-------------|--------------|-------------|
| 010 | K5771-61130 | ROD LIFT L | 2 | | | | 0.55 | 1.21 |
| 020 | K5763-61150 | ROD LIFT S | 2 | | | | 0.2 | 0.44 |
| 030 | 75599-51525 | PIN CLEVIS | 4 | | | (1/2*1-1/4) | 0.2 | 0.44 |
| 040 | 99999-99999 | BLANK | 0 | | | | 0 | 0 |
| 050 | 75599-32015 | WASHER PLAIN | 4 | | | (1/2) | 0.01 | 0.022 |
| 060 | 75599-53174 | PIN COTTER | 4 | | | (1/8*1-1/4) | 0.003 | 0.0066 |
| 070 | K5763-28980 | TURNBUCKLE | 2 | | | | 0.12 | 0.264 |
| 080 | 02074-50120 | NUT | 2 | | | | 0.015 | 0.033 |
| 090 | K5763-61160 | ARM LIFT 1 LH | 1 | | | | 1.7 | 3.74 |
| 100 | K5772-61170 | ARM LIFT 1 RH | 1 | | | | 0 | 0 |

STOPPER



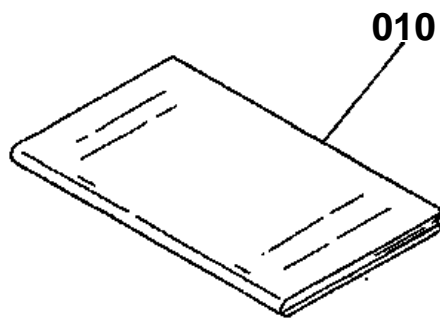
K5772-004-11



STOPPER

↔ Interchangeable; ≠ not interchangeable; ← new for old; → old for new

| REF.No | Part No. | Description | Q'ty | S.No. | I/C | REMARKS | Weight (kgf) | Weight (lb) |
|--------|-------------|--------------------|------|-------|-----|---------|--------------|-------------|
| 010 | K5771-72100 | PLATE STOPPER | 2 | | | | 0.32 | 0.704 |
| 020 | 01073-51260 | BOLT | 4 | | | | 0.07 | 0.154 |
| 030 | 02572-50120 | NUT LOCK | 4 | | | | 0.014 | 0.0308 |
| 040 | K5772-72200 | STOPPER LOADER LH | 1 | | | | 0 | 0 |
| 050 | K5772-72300 | STOPPER LOADER RH | 1 | | | | 0 | 0 |
| 060 | 01133-51240 | BOLT | 4 | | | | 0.05 | 0.11 |
| 070 | 04013-60120 | WASHER PLAIN | 4 | | | | 0.01 | 0.022 |
| 080 | 02174-50120 | NUT | 4 | | | | 0.01 | 0.022 |
| 090 | K5772-72400 | PIN STOPPER LOADER | 2 | | | | 0 | 0 |
| 100 | 05516-51200 | PIN SNAP | 2 | | | | 0.004 | 0.0088 |
| 110 | 04013-60120 | WASHER PLAIN | 2 | | | | 0.01 | 0.022 |



1G606-002-10



ACCESSORIES AND SERVICE PARTS

↔ Interchangeable; ≠ not interchangeable; ← new for old; → old for new

| REF.No | Part No. | Description | Q'ty | S.No. | I/C | REMARKS | Weight (kgf) | Weight (lb) |
|--------|-------------|-------------------|------|-------|-----|---------|--------------|-------------|
| 010 | K5772-71110 | OPERATOR'S MANUAL | 1 | | | | 0 | 0 |