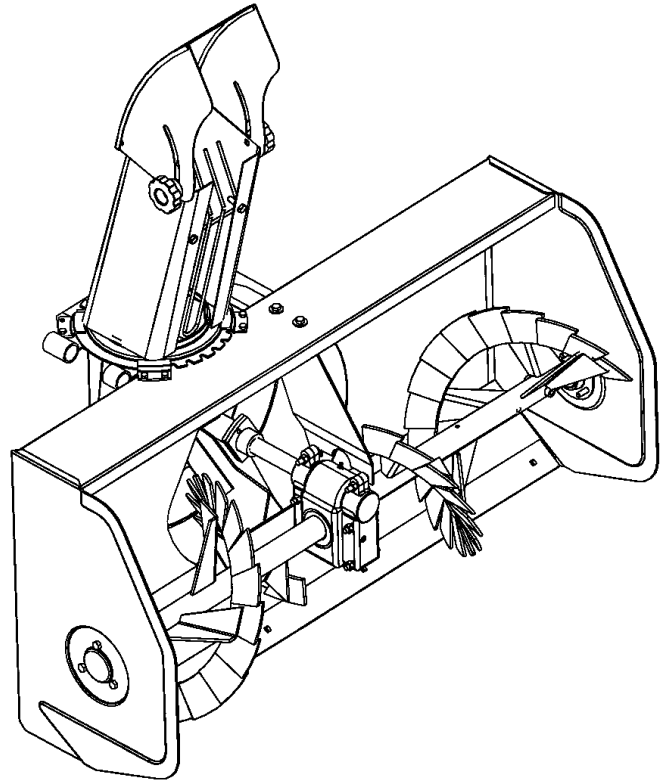


Kubota®



OPERATOR'S AND PARTS MANUAL

50" SNOWBLOWER - BX2750D

***FOR BX SERIES, B7300, B7400HSD, B7500DT/HSD,
B7510DT/HSD, B7610HSD, B2410, B2320, B2620
AND B2920 TRACTORS***

SERIAL NO. 2800426 AND UP

***OM 0287SB-A
08/09***

MANUAL PART NUMBER 77700-00663

TABLE OF CONTENT

INTRODUCTION – TO THE PURCHASER	3
SAFETY PRECAUTIONS	4
Before Operation.....	4
Notice.....	5
Subframe & Snowblower	5
Before Operation	5
Subframe & Snowblower Operation.....	6
Maintenance	8
DECALS	9
ASSEMBLY	11
Snowblower Assembly.....	11
Chute Installation	11
Manual Rotation Installation.....	12
Manual Rotation Installation on BX1850, BX2350, BX2660 and BX24 Tractors	13
Manual Rotation Installation on B2320, B2620 & B2920 Tractors	14
Attaching Snowblower to the Tractor	15
Removing Snowblower from the Tractor	15
OPERATION	16
General Preparation.....	16
Operating Controls	16
Engine Speed.....	16
Up and Down Control.....	16
Increasing Traction and Stability	16
Engaging the Drive Mechanism	16
Deflector Adjustment	17
Skid Shoe Adjustment	17
Snow Removal Methods	18
MAINTENANCE.....	19
Maintenance	19
Gearbox and Reduction Box	19
Shear Bolts.....	19
Auger Repositioning.....	20
Drive Chain Tension Adjustment	20
Lubrication	20

TABLE OF CONTENT

PARTS.....	21
Introduction	21
Snowblower Assembly – BX2750D	22
Chute with Deflector.....	23
Manual Chute Rotation	25
Worm Gearbox Assembly	26
Reduction Box Assembly	27
Driveline Female Half (70060-03224).....	28
AVAILABLE OPTIONS	29
AVAILABLE EQUIPMENT	30
TORQUE SPECIFICATION TABLE	31

INTRODUCTION

TO THE PURCHASER

All products are designed to give safe, dependable service if they are operated and maintained according to instructions. **Read and understand this manual before operation.**

This manual has been prepared to assist the owner and operators in the safe operation and suitable maintenance of the snowblower. The information is applicable to products at the time of manufacture and does not include modifications made afterwards.

Read and understand this operator's manual before attempting to put snowblower into service. Familiarize yourself with the operating instructions and all the safety recommendations contained in this manual and those labeled on the snowblower and on the tractor. Follow the safety recommendations and make sure that those with whom you work follow them.

Illustrations

The illustrations may not necessarily reproduce the full detail and the exact shape of the parts or depict the actual models, but are intended for reference only.

Direction Reference

All references to right and left, forward or rearward, are from the operator's seat, facing the steering wheel.

To assist your dealer in handling your needs, please record hereafter the model number and serial number of your snowblower and tractor. It is also advisable to supply them to your insurance company. It will be helpful in the event that snowblower or tractor is lost or stolen.

TRACTOR

SNOWBLOWER

MODEL:

SERIAL NUMBER:

DATE OF PURCHASE:

DEALER NAME:

SAFETY PRECAUTIONS



SAFETY FIRST

This symbol, the industry's "Safety Alert Symbol", is used throughout this manual and on labels on the machine itself to warn of the possibility of personal injury. Read these instructions carefully. It is essential that you read the instructions and safety regulations before you attempt to assemble or use this snowblower.



DANGER : Indicates an immediate hazardous situation which, if not avoided, will result in death or serious injury.



WARNING : Indicates a potentially hazardous situation which, if not avoided, could result in death or serious injury.



CAUTION : Indicates a potentially hazardous situation which, if not avoided, may result in minor or moderate injury.

IMPORTANT : Indicates that snowblower or property damage could result if instructions are not followed.

NOTE : Gives helpful information.

All products are designed to give safe, dependable service if they are operated and maintained according to instructions. **Read and understand this manual before operation.** It is the owner's responsibility to be certain anyone operating this product reads this manual, and all other applicable manuals, to become familiar with this snowblower and all safety precautions. Failure to do so could result in serious personal injury or snowblower damage. If you have any questions, consult your dealer.

BEFORE OPERATION

Children

Tragic accidents can occur if the operator is not alert to the presence of children. Children are generally attracted to machines and the work being done. Never assume children will remain where you last saw them.

1. Keep children out of the operating area and under the watchful eye of another responsible adult.
2. Be alert and turn machine off if children enter the work area.
3. Before and when backing, look behind for small children.
4. Never carry children while operating the machine. They may fall off and be seriously injured or interfere with the safe operation of the machine.
5. Never allow children to play on the machine or snowblower even when they are turned off.
6. Never allow children to operate the machine even under adult supervision.
7. Use extra care when approaching blind corners, shrubs, trees, or other obstructions that might hide children from sight.

SAFETY PRECAUTIONS - continued

NOTICE

A safe operator is the best assurance against accidents. All operators, no matter how experienced they may be, should read this operator's manual and all other related manuals before attempting to operate the snowblower. Please read the following section and pay particular attention to all safety recommendations contained in this manual and those labeled on the snowblower and on the tractor.

SUBFRAME & SNOWBLOWER

Before Operation

1. Read and understand both the tractor and this operator's manual before operating the equipment. Know how to operate all controls and how to stop the unit and disengage the controls quickly. Lack of knowledge could lead to accidents.
2. Never wear loose, torn, or bulky clothing around the tractor, the subframe and the snowblower. It may catch on moving parts or controls, causing injury.
3. Before and during seasons, thoroughly inspect the area where the snowblower is to be used and remove all objects that may be thrown or cause damage to the snowblower.
4. Set transmission to neutral and disengage clutch, if equipped, before starting the engine.
5. Do not operate snowblower in wintertime without wearing adequate winter garments. Always wear protective clothing.
6. Never attempt to make any adjustments while engine is running. Read this manual carefully to acquaint yourself with the snowblower as well as the tractor operator's manual. Working with unfamiliar snowblower can lead to accidents. Be thoroughly familiar with the controls and proper use of the snowblower.
7. Keep all safety guards in place and verify hardware for proper tightening.
8. Check for moving parts excessive wear regularly. Replace worn parts with genuine parts.
9. Replace all missing, illegible, or damaged safety and warning decals. See list of decals in operator's manual.
10. Keep safety decals clean of dirt and grime.
11. Do not modify or alter this snowblower or any of its components, or any snowblower function without first consulting your dealer.
12. Make sure the tractor is counterweighted as recommended by your dealer. Weights provide the necessary balance to improve stability, traction and steering.

SAFETY PRECAUTIONS - continued

Subframe & Snowblower Operation

1. Before leaving the tractor/snowblower unattended, take all possible precautions. Park the tractor/snowblower on level ground, place the transmission in neutral, set the parking brake, disengage the PTO, lower the snowblower to the ground, place all levers including auxiliary control levers in neutral, shut off the engine and remove the ignition key.
2. Before starting the tractor/ snowblower, remove the ice that might have accumulated on the auger/fan, inspect and clean every rotating part.
3. Prior to operation, clear work area of all objects that can be picked up and thrown. Mark all curbs, pipes, etc. that cannot be moved.
4. Be sure the PTO switch/lever is in OFF/disengaged position before starting engine.
5. Exercise extreme caution when operating on or crossing a gravel drive, walks, or roads. Stay alert for hidden hazards or traffic.
6. Do not carry passengers.
7. Keep clear of all rotating parts. Do not put hands or feet under, or into snowblower and subframe with engine running. Be especially observant of the snowblower areas of discharge, intake or all other mechanical motions.
8. For your safety, do not work under any hydraulically supported machine elements that may creep down, suddenly drop or be accidentally lowered.
9. Park the tractor/snowblower on level ground, place the transmission in neutral, set the parking brake, disengage the PTO, lower the snowblower to the ground, place all control levers in neutral, shut off the engine, remove the ignition key and allow the rotating parts to stop BEFORE unclogging the housing or the chute and making any repairs, adjustments or inspections. Use only a 36" long stick of wood to unclog the snowblower.
10. If the snowblower starts to vibrate abnormally, disengage the PTO, stop the engine immediately and check for cause. Excessive vibration is generally a sign of trouble.
11. Do not run the engine indoors except when starting engine and transporting attachment in or out of building. Carbon monoxide gas is colorless, odorless and deadly.
12. Do not attempt to operate on steep slopes. If operating on slopes is necessary, exercise extreme caution when changing direction.
13. Never operate snowblower without guards, and other safety protective devices in place. All tractor and snowblower shields and covers must be correctly installed at all times. When necessary to remove these, they must be reinstalled immediately.
14. Never operate snowblower near glass enclosures, automobiles, window wells, embankments, etc., without proper adjustment of snow discharge angle.
15. Never operate machine at high transport speeds on a slippery surface.
16. Use extra caution when backing up.
17. Disengage power to auger/fan when transporting or when not in use.
18. Never operate the snowblower without good visibility and lighting.
19. Prolonged exposure to loud noise can cause impairment or loss of hearing. Wear a suitable hearing protective device such as earmuffs or earplugs to protect against objectionable or uncomfortable noises.
20. Never allow anyone near the work area.
21. Never allow anyone to operate the snowblower until they have read the manual completely and are thoroughly familiar with basic tractor and snowblower operation.

SAFETY PRECAUTIONS - continued

- 22.** Make sure the tractor is counterweighted as recommended by your dealer. Weights provide the necessary balance to improve stability, traction and steering.
- 23.** Always make sure all snowblower components are properly installed and securely fastened BEFORE operation.
- 24.** Adjust housing height to clear gravel or crushed rocks surface.
- 25.** Keep away from chute discharge. This chute has the capacity to throw debris at far distances.
- 26.** Never direct chute discharge towards people or animals. A thrown debris can cause serious injury.

SAFETY PRECAUTIONS - continued

MAINTENANCE

ALWAYS USE GENUINE PARTS WHEN REPLACEMENT PARTS ARE REQUIRED

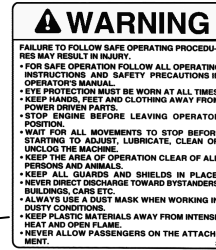
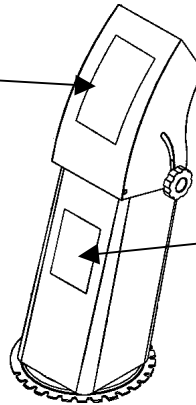
1. Keep the tractor and snowblower properly maintained.
2. Park the tractor/snowblower on level ground, place the transmission in neutral, set the parking brake, disengage the PTO, lower the snowblower to the ground, place all control levers in neutral, shut off the engine and remove the ignition key and allow the rotating parts to stop BEFORE making any snowblower adjustments.
3. To avoid injury, do not adjust, unblock the driving system, or service the snowblower with the tractor engine running. Make sure rotating components have completely stopped BEFORE leaving the operator's seat.
4. Keep the tractor/snowblower clean. Snow, dirt or ice build-up can lead to malfunction or personal injury from thawing and refreezing in garage.
5. Always wear eye protection when cleaning or servicing the snowblower or subframe.
6. DO NOT service the tractor while the engine is running or hot, or if the unit is in motion. Always lower snowblower to the ground. If necessary to service snowblower in raised position, securely support with stands or suitable blocking before working underneath. Do not rely on hydraulically supported devices for your safety. They can settle suddenly, leak down, or be accidentally lowered.
7. Do not attempt to service machine, clear obstructions or unclog the snowblower with the engine running. Always shut off engine and allow all motion to cease.
8. The manufacturer will not claim responsibility for fitment of unapproved parts and/or accessories and any damages as a result of their use.
9. Make sure all shields and guards are securely in place following all service, cleaning, or repair work.
10. Do not modify or alter this snowblower or any of its components or operating functions. If you have questions concerning modifications, consult with your dealer.
11. Do not operate a snowblower that is defective or has missing parts. Make sure that all recommended maintenance procedures are completed before operating the snowblower.
12. Check all controls regularly and adjust where necessary. Make sure that the brakes are evenly adjusted.
13. Periodically check all nuts and bolts for tightness, especially wheel hub and rim nuts.
14. To avoid serious personal injury: Escaping hydraulic/diesel fluid under pressure can penetrate the skin causing serious injury. Do not use your hands to check for leaks. Use a piece of cardboard or paper to search for leaks. If you are injured by escaping high pressure fluid, see a medical doctor at once.
15. Stop engine and relieve pressure before connecting or disconnecting hydraulic hoses. Tighten all connections before starting engine or pressurizing hoses.

DECALS

For KUBOTA US only
Replace immediately if damaged



70060-01211
(657761)



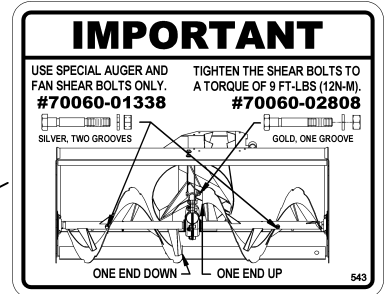
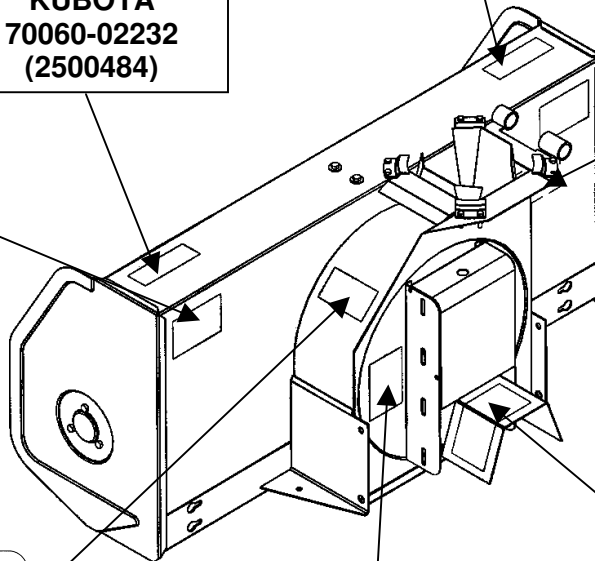
70060-03763
(660988)



70060-01212
(657762)

KUBOTA
70060-02232
(2500484)

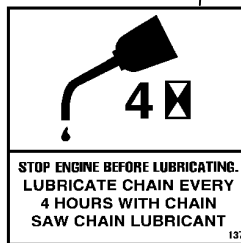
BX2750D
77700-00186
(2500643)



70060-02815
(2500573)

IMPORTANT
 Before using:
 -Oil level must be checked
 -Fill with SAE 80W90, "AGMA 5 EP" extreme pressure oil or equivalent
 -Read instructions manual
 14

70060-01040
(655683)



70060-01674
(657804)



70060-01213
(657763)

DECALS

For KUBOTA Canada
Replace immediately if damaged

DANGER

TO AVOID SERIOUS INJURY:
KEEP HANDS OUT OF THIS
DISCHARGE CHUTE WHILE
ENGINE IS RUNNING

POUR ÉVITER DES
BLESSURES GRAVES:
GARDER LES MAINS ÉLOIGNÉES
DE CETTE GOULOTTE LORSQUE
LE MOTEUR EST EN MARCHÉ 88

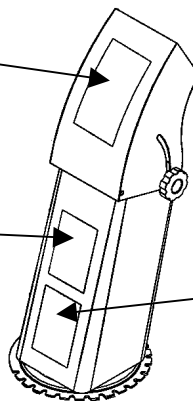
70060-01206
(656779)

WARNING

FAILURE TO FOLLOW SAFE OPERATING PROCEDURES MAY RESULT IN INJURY.

- FOR SAFE OPERATION FOLLOW ALL OPERATING INSTRUCTIONS AND SAFETY PRECAUTIONS IN OPERATOR'S MANUAL.
- EYE PROTECTION MUST BE WORN AT ALL TIMES.
- KEEP HANDS, FEET AND CLOTHING AWAY FROM POWER DRIVEN PARTS.
- STOP ENGINE BEFORE LEAVING OPERATOR POSITION.
- WAIT FOR ALL MOVEMENTS TO STOP BEFORE STARTING TO ADJUST, LUBRICATE, CLEAN OR UNLOCK THE MACHINE.
- KEEP THE AREA OF OPERATION CLEAR OF ALL PERSONS AND ANIMALS.
- KEEP ALL GUARDS AND SHIELDS IN PLACE.
- NEVER DIRECT DISCHARGE TOWARD BYSTANDERS, BUILDINGS, CARS ETC.
- ALWAYS USE A DUST MASK WHEN WORKING IN DUSTY CONDITIONS.
- KEEP PLASTIC MATERIALS AWAY FROM INTENSE HEAT AND OPEN FLAME.
- NEVER ALLOW PASSENGERS ON THE ATTACHMENT. 22

70060-03763
(660988)



MISE EN GARDE

NÉGLIGER DE SUIVRE LES PROCÉDURES SÉCURITAIRES D'UTILISATION PEUT ENTRAÎNER DES BLESSURES.

- POUR UNE UTILISATION SÉCURITAIRE, SUIVRE TOUTES LES INSTRUCTIONS D'UTILISATION ET PRÉCAUTIONS SÉCURITAIRES DANS LE MANUEL DE L'OPÉRATEUR.
- PORTER DES LUNETTES DE SÉCURITÉ EN TOUT TEMPS.
- GARDER MAINS, PIEDS ET VÊTEMENTS ÉLOIGNÉS DES PIÈCES MOTRICES.
- ARRÊTER LE MOTEUR AVANT DE QUITTER LA POSITION DE L'OPÉRATEUR.
- ATTENDRE QUE TOUTS LES MOUVEMENTS SOIENT ARRÊTÉS AVANT D'AJUSTER, LUBRIFIER, NETTOYER OU DÉBLOQUER LA MACHINE.
- GARDER L'ENDROIT D'UTILISATION DÉGAGÉ DE TOUTES PERSONNES ET ANIMAUX.
- GARDER TOUS LES ÉCRANS PROTECTEURS EN PLACE.
- JAMAIS DIRIGER L'ÉVACUATION VERS DES PIÉTONS, BÂTIMENTS, AUTOMOBILES, ETC.
- TOUJOURS UTILISER UN MASQUE À POUSSÈRE DANS UN ENVIRONNEMENT POUSSÉREUX.
- GARDER TOUTES LES MATIÈRES PLASTIQUES ÉLOIGNÉES DE LA CHALEUR INTENSE ET DES FLAMMES.
- NE JAMAIS PERMETTRE DE PASSAGERS SUR CETTE MACHINE. 22

70060-03764
(660989)

KUBOTA:
70060-02232
(2500484)

BX2750D
77700-00186
(2500643)

DANGER

AVOID INJURY FROM
ROTATING AUGER
KEEP HANDS, FEET AND
CLOTHING AWAY

POUR ÉVITER DES
BLESSURES GRAVES:
GARDER LES MAINS, LES PIEDS
ET LES VÊTEMENTS ÉLOIGNÉS
DES VIS SANS FIN 21

70060-01207
(656780)

IMPORTANT

USE SPECIAL AUGER AND
FAN SHEAR BOLTS ONLY.
UTILISER LES BOULONS DE
CISAILLEMENT SPÉCIAUX
SEULEMENT

TIGHTEN THE SHEAR BOLTS TO
A TORQUE OF 9 FT-LBS (12N-M).
SERRER LES BOULONS DE
CISAILLEMENT À UN COUPLE
DE 9 LBS-PI (12N-M).

#70060-01338
SILVER, TWO GROOVES
ARGENT, DEUX RAINURES

#70060-02808
GOLD, ONE GROOVE
OR, UNE RAINURE

ONE END DOWN
POSITIONNER EN BAS

ONE END UP
POSITIONNER EN HAUT 542

70060-02814
(2500572)

IMPORTANT

Before using:
-Oil level must be checked
-Fill with SAE 80W90, "AGMA 5 EP"
extreme pressure oil or equivalent
-Read instructions manual

IMPORTANT

Avant usage:
-Vérifier le niveau d'huile
-Remplir avec de l'huile SAE 80W90,
"AGMA 5EP" pression extrême ou équivalent
-Lire manuel d'instructions 21

70060-01041
(655834)

4X

STOP ENGINE BEFORE LUBRICATING.
LUBRICATE CHAIN EVERY
4 HOURS WITH CHAIN
SAW CHAIN LUBRICANT

ARRÊTER LE MOTEUR AVANT
LUBRIFICATION
LUBRIFIER LA CHAÎNE À
TOUS LES 4 HEURES AVEC
UN LUBRIFIANT POUR
CHAÎNE DE SCIE À CHAÎNE. 63

70060-01675
(656808)

DANGER

ROTATING DRIVELINE
CONTACT CAN CAUSE DEATH KEEP
PEOPLE AND CLOTHING WELL CLEAR

DO NOT OPERATE WITHOUT
ALL DRIVELINE, TRACTOR AND
EQUIPMENT SHIELDS IN PLACE
DRIVELINES SECURELY ATTACHED
AT BOTH ENDS
DRIVELINE SHIELDS THAT TURN
FREELY ON DRIVELINE

TRANSMISSION ROTATIVE
À CARDAN
TOUT CONTACT PEUT
CAUSER LA MORT

TENIR LES VÊTEMENTS ET
PERSONNES À L'ÉCART

NE PAS OPÉRER SANS
QUE TOUS LES PROTECTEURS DU
TRACTEUR, DE L'ÉQUIPEMENT ET DE
L'ARBRE À CARDAN SOIENT EN PLACE.
- L'ARBRE À CARDAN FIXÉ
SOLIDEMENT À CHAQUE BOUT
- QUE LES PROTECTEURS TOURNENT
LIBREMENT SUR L'ARBRE À CARDAN 11

70060-01208
(656781)

ASSEMBLY

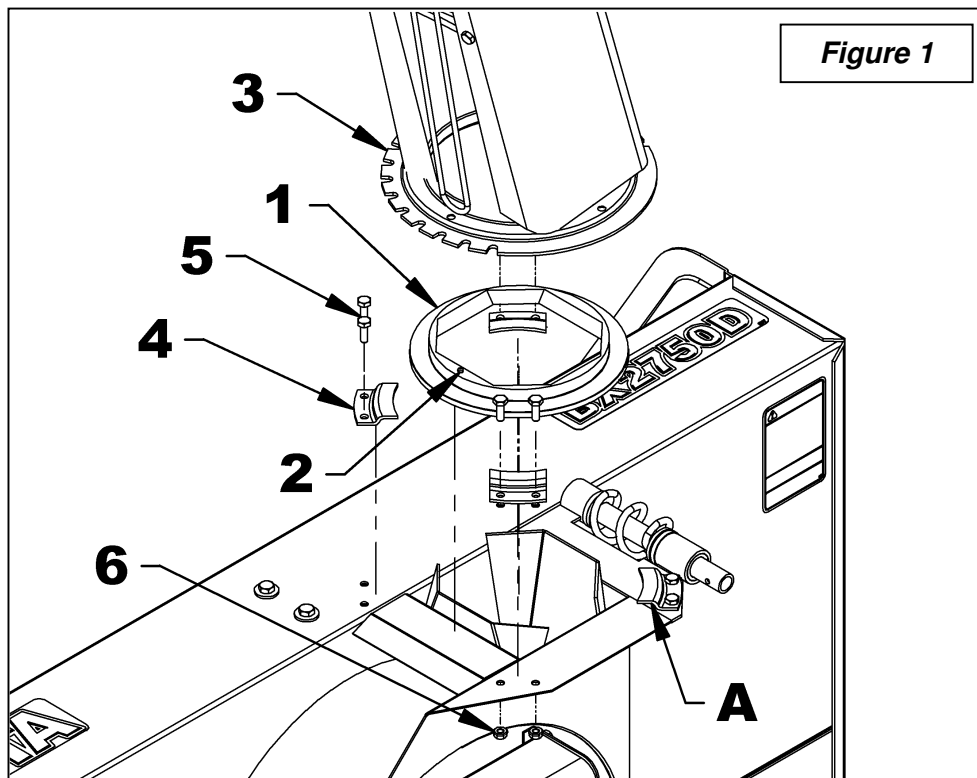
SNOWBLOWER ASSEMBLY

The snowblower is pre-assembled at the factory; however, parts in the bag and box must be assembled. Use the present manual and lay out all parts for assembly. Separate bolts and nuts into various sizes. After assembly, torque all the bolts according to the "Torque Specification Table" enclosed at the end of the manual.

Chute Installation (Figure 1)

To install the chute, place the snowblower in its normal position.

1. Place the rotation bushing (item 1) over the fan discharge, placing the marker (item 2) up and to the left of the snowblower.
2. Place the chute (item 3) on the rotation bushing (item 1) slipping the chute ring under the retaining plate already installed (item A) and lining up the notches with the rotation worm already installed.
3. Secure the chute with the three retaining plates (item 4) using the six 1/4" NC x 3/4" hex. bolts (item 5) and serrated flange nuts (item 6).
4. Tighten according to the "Torque Specification Table " at the end of the manual.



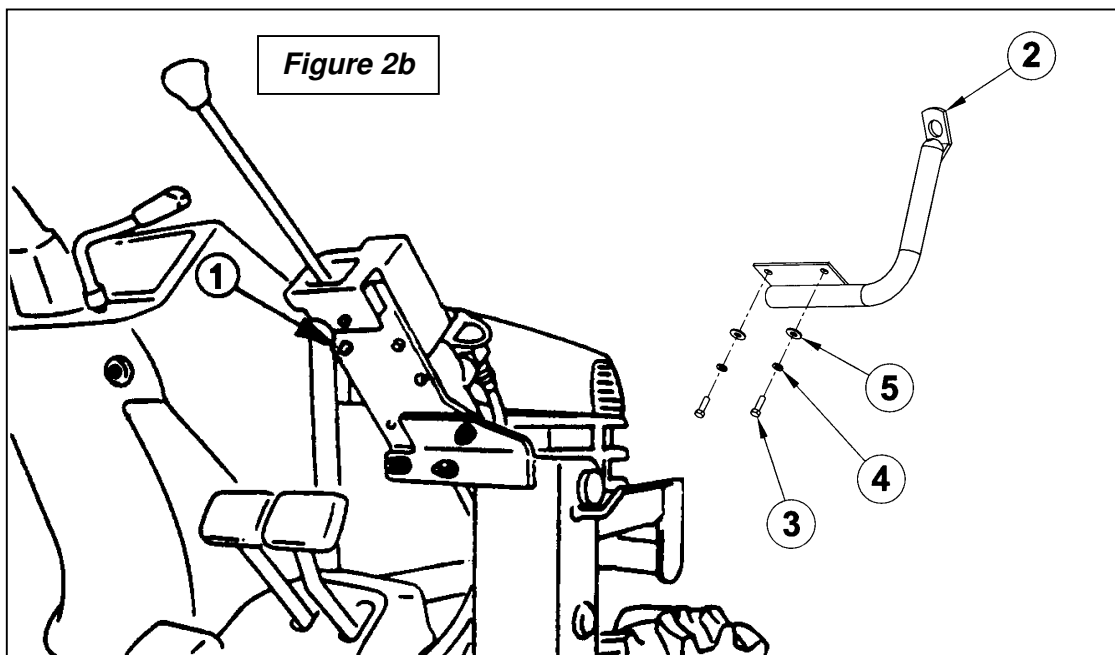
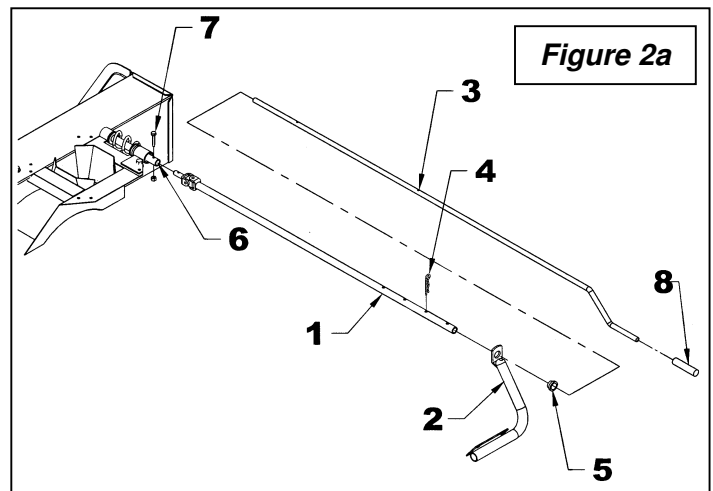
ASSEMBLY

Manual Rotation Installation

(Figures 2a-2b)

(For all tractor models except the BX1850, BX2350, BX2660, BX24, B2320, B2620 & B2920. See page 13 for BX1850, BX2350, BX2660 & BX24 and page 14 for B2320, B2620 & B2920)

- Figure 2a:** Insert plastic grommet (item 5) in the upper hole of the handle support (item 2).
- Figure 2a or 2b:** Attach handle support (item 2) to the valve stay:
 - **Figure 2b:** If the upper part of the valve stay is bolted with M6 x 1.00 x 16mm lg bolts and the two 6mm lockwashers (item 1), remove them and attach the handle support (item 2) using the two M6 x 1.00 x 20mm lg hex. bolts, the 6mm lockwashers previously removed and the two Ø5/16" flat washers (items 3-4-5). The two M6 x 1.00 x 16mm lg hex. bolts will no longer be used.
 - **Figure 2b:** In all other cases, attach the handle support with the top 2 existing bolts (item 1).
- Figure 2a:** Attach the rotation tube (item 1) to the rotation worm shaft (item 6) by inserting the yoke in the rotation worm hole and securing in place with a capscrew 10-24 NC x 1" (item 7) and a 10-24 NC nylon insert locknut.
- Figure 2a:** Install the plastic handle (item 8) on the rotation handle (item 3) and tighten all bolts.
- Figure 2a:** After completing section "Attaching Snowblower to Tractor", insert the rotation handle (item 3) in the handle support (item 2) and the rotation tube (item 1) and fasten with a 4mm x 80mm hairpin (item 4).



ASSEMBLY

Manual Rotation Installation

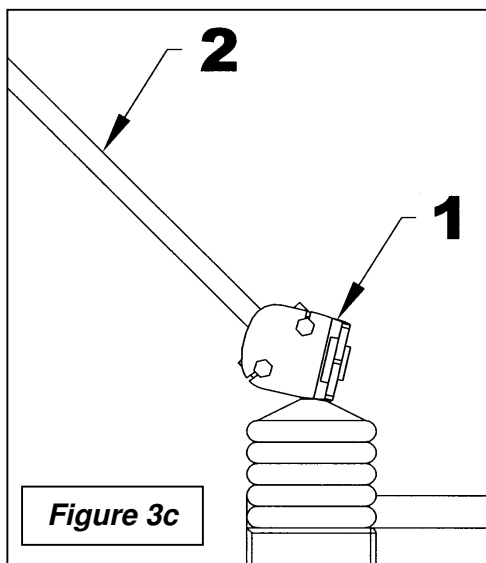
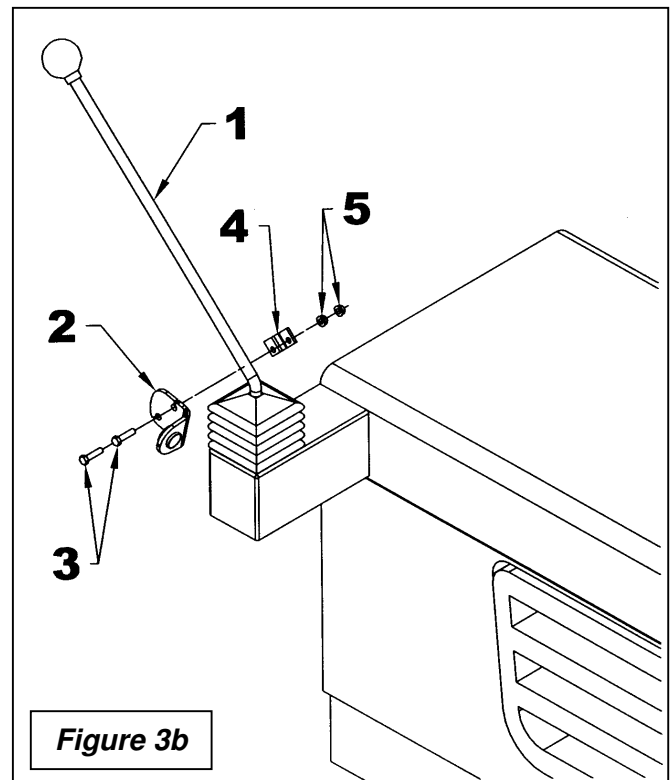
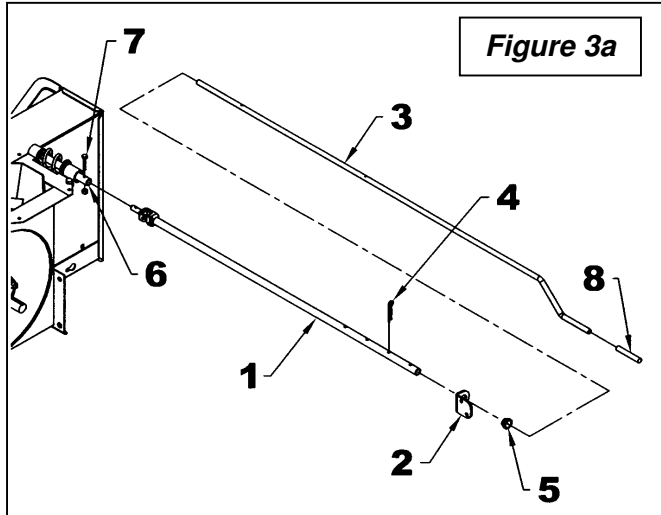
(Figures 3a-3b-3c)

(For tractor models BX1850, BX2350, BX2660 & BX24 only)

1. **Figure 3a:** Insert plastic grommet (item 5) in the upper hole of the handle support (item 2).
2. **Figure 3b:** As illustrated attach the rotation handle support (item 2) to the tractor hydraulic valve lever (item 1) with the two 1/4" NC x 1" lg bolts, the box clamp (item 4) and the two 1/4" NC serrated flange nuts (item 5).

NOTE: Figure 3c: The handle support (item 1) must be positioned on the hydraulic valve lever (item 2) as shown on figure.

3. **Figure 3a:** Attach the rotation tube (item 1) to the rotation worm shaft (item 6) by inserting the yoke in the rotation worm hole and securing in place with a capscrew 10-24 NC x 1" (item 7) and a 10-24 NC nylon insert locknut.
4. **Figure 3a:** Install the plastic handle (item 8) on the rotation handle (item 3) and tighten all bolts.
5. **Figure 3a:** After completing section "Attaching Snowblower to Tractor", insert the rotation handle (item 3) in the handle support (fig.3a or 3b, item 2) and the rotation tube (item 1) and fasten with a 4mm x 80mm hairpin (item 4).



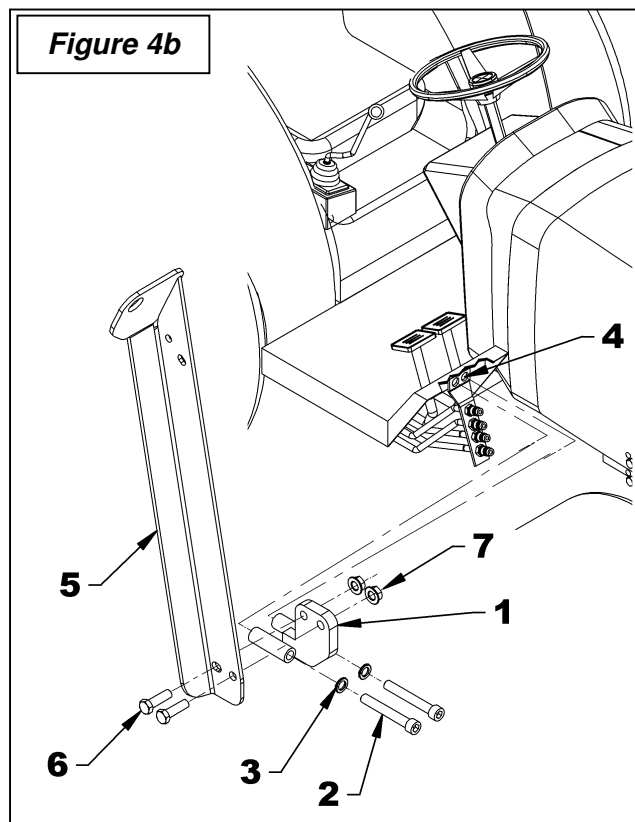
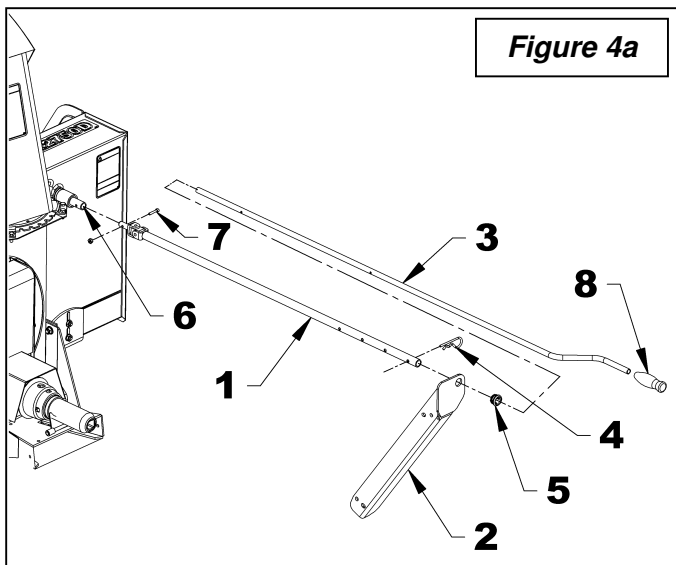
ASSEMBLY

Manual Rotation Installation

(Figure 4a-4b)

(For tractor models B2320, B2620 & B2920 only)

1. **Figure 4a:** Insert the plastic grommet (item 5) in the upper hole of the handle support (item 2).
2. **Figure 4b:** Remove the two existing bolts from the hydraulic pipe support (item 4).
3. **Figure 4b:** Install the support bracket with two 10 mm x 1.25 x 70 mm allen socket head cap screw (item 2) and two 10 mm lockwashers (item 3). Do not tighten immediately.
4. **Figure 4b:** Attach the handle support (item 5) with two 3/8" NC x 1 1/4" hex. bolts (item 6) and two 3/8" serrated flange nuts (item 7). Tighten these two bolts according to the "Torque Specification Table" at the end of the
5. **Figure 4b:** Tighten the two 10 mm bolts (item 2) while pulling slightly on the support (item 5) to keep it well distanced from the hood.
6. **Figure 4a:** Attach the rotation tube (item 1) to the rotation worm shaft (item 6) by inserting the rotation yoke and secure in place with a 10-24 NC x 1" capscrew (item 7) and a 10-24 NC nylon insert nut.
7. **Figure 4a:** Install the plastic handle (item 8) on the rotation handle (item 3) and tighten all the bolts.
8. **Figure 4a:** After completing the section "Attaching the Snowblower to the Tractor", insert the rotation handle (item 3) in the handle support (item 2) and in the rotation tube (item 1) and lock in place with a 4mm x 80mm hairpin (item 4).



ASSEMBLY

Attaching Snowblower to Tractor (Figure 4)

1. Move quick hitch lever (item 9) rearward to unlock position.
2. Install the male driveline (item 2), supplied with the drive kit, on snowblower female driveline (item 3) and support with the driveline support (item 1).
3. Position tractor behind snowblower and raise front male quick hitch to approximately 3/4" from the ground.
4. Introduce male quick hitch (item 4) into female quick hitch (item 5) on blower. Raise male section so that it is parallel to female section and insert it all the way into female section. Raise blower and move the lever (item 9) forward to locked position. Secure latch (item 7) with linch pin (item 6).
5. Connect male driveline (item 2) to subframe drive shaft (item 8) by sliding back locking collar on driveline yoke and pushing yoke over shaft until locking ring snaps back and push driveline support down (item 1).



CAUTION:

To avoid serious personal injuries: Make sure that the driveline quick coupler is securely locked in place. A "click" must be heard. If it is not securely fastened, it will come off the spindle shaft and spin out of control.



WARNING:

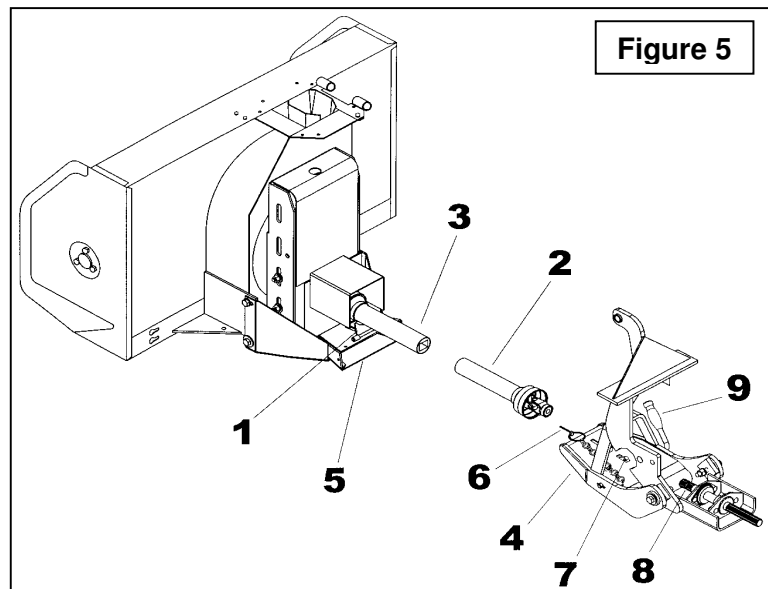
To avoid serious personal injuries:

This shaft turns at very high RPM. If the collar is not locked to the shaft at tractor end, or if the yoke at the blower end is not secured properly, the driveline can fly loose with great force capable of causing serious injury or death.

6. Adjust skid shoes according to adjustment instructions in the next **OPERATION** section.

Removing Snowblower from Tractor (Figures 2a-3a-4a-5)

1. Park tractor/snowblower on level ground, place all control levers in neutral, set the parking brake, shut off the engine and remove the ignition key.
2. **Figures 2a-3a or 4a:** Remove the rotation handle (item 3) from the handle support (item 2).
3. **Figure 5:** Remove linchpin (item 6) from male hitch latch and place male hitch lever (item 9) rearward to unlock position.
4. **Figure 5:** Disconnect male driveline (item 2) from subframe drive shaft (item 8). Set driveline on its support (item 1) and remove snowblower.



OPERATION

GENERAL PREPARATION

1. Read the operator's manual carefully before using the tractor and snowblower. Be thoroughly familiar with the controls and proper use of the equipment. Know how to stop the unit and disengage the controls quickly.
2. Wear adequate winter outer garments while operating the equipment.
3. Make sure the snowblower is clear of snow and other material before engaging the snowblower.
4. Make sure the auger and fan operate freely.
5. Check the oil level in the reduction box and if necessary, add AGMA 5EP, SAE 80W90 gear oil or equivalent.
6. Check the three shear bolts, one on each auger section and one between the fan and gearbox for proper tightness.
7. Adjust the skid shoes so the snowblower runs leveled.
8. Before engaging the snowblower drive, always have the engine running at idle.
9. Operate the snowblower at maximum engine RPM.

OPERATING CONTROLS

Engine Speed

1. Start the tractor engine. Let the engine warm up at least one minute before engaging the drive mechanism then increase speed gradually.
2. Make sure the snowblower head is properly positioned and engage the drive mechanism.
3. Adjust the ground speed according to conditions. For maximum power, run engine at or near full throttle.

IMPORTANT : Use full RPM power when removing wet, sticky snow. Low RPM power will tend to clog the chute.

Up and Down Control

Refer to the tractor and/or subframe operator's manual(s) for detailed hydraulic operation.



WARNING To avoid serious personal injury: Do not use your hands to unclog the chute. Use a 36" (925mm) stick or board. Do not attempt to unclog the chute while engine is running. If the chute is clogged, shut off the tractor engine, remove the key and clear the snow from the chute.

Increasing Traction and Stability

Make sure the tractor is counterweighted as recommended by your dealer. Weights provide the necessary balance to improve stability, traction and steering.

Engaging the Drive Mechanism

Refer to the tractor's operating manual for instructions.

OPERATION



WARNING

To avoid serious personal injury:

Make sure tractor engine and snowblower come to a complete stop and tractor drive mechanism is disengaged BEFORE making any adjustments.

Deflector Adjustment

The deflector angle must be set according to the distance the snow must be thrown. To adjust the angle:

- Turn the chute to the right as far as possible.
- Loosen the two deflector knobs on the side and adjust the deflector at the appropriate angle.
- Tighten the knobs.

Skid Shoe Adjustment *(Figure 6)*

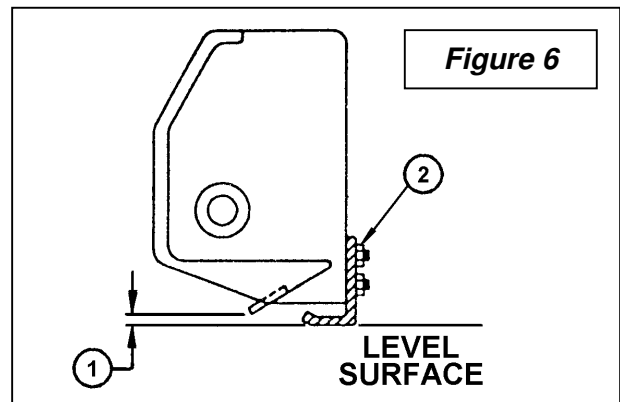
Adjust the snowblower so that the skid shoes run level and according to the surface conditions so that stones are not thrown with the snow.

Adjust both skid shoes to the same height to keep the cutting edge level and adjust upwards for smooth surfaces.

Loosen skid shoe bolts (item 2), adjust according to instructions below and securely tighten bolts:

Clearance between cutting edge and surface (fig.6, position 1):

- *Level paved surface* : Adjust to 1/16" to 1/8"
- *Uneven or gravel surface*: Adjust to 1/2" to 5/8"



OPERATION

SNOW REMOVAL METHODS

When removing snow, do not use the snowblower as a dozer blade to push snow. Let the snowblower work its way through deep drifts. If the speed of your tractor is too fast, the snowblower may become overloaded and clog. For best results, raise the snowblower and remove a top layer of snow. A second pass with the snowblower will remove the remaining snow.

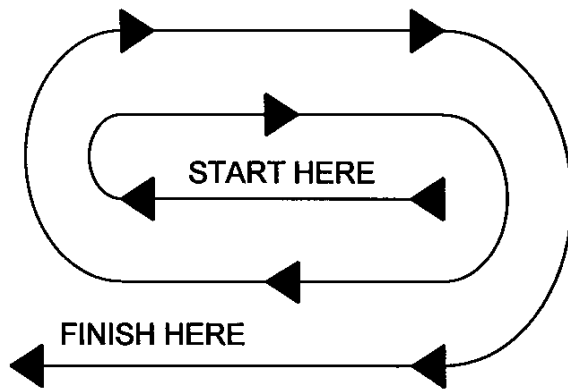
IMPORTANT: Use full RPM power when removing wet, sticky snow. Low RPM power will tend to clog the chute.

! **WARNING:** Do not use hands or feet to unclog chute. Do not attempt to clear clogged chute of snow while tractor engine is running. If the chute clogs, disengage the drive shaft, shut off the tractor engine, remove the ignition key, wait for all movement to stop, and then clear the snow from the chute.

A definite pattern of operation is required to thoroughly clean the snow area. These patterns will avoid throwing snow in unwanted places as well as eliminating a second removal of snow

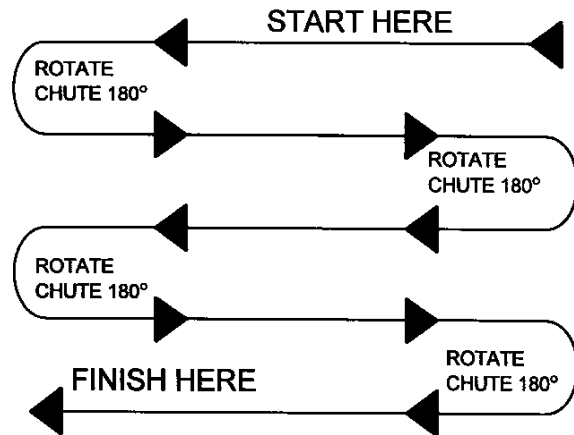
PATTERN 1

DISCHARGE SNOW BOTH SIDES



DISCHARGE SNOW BOTH SIDES

PATTERN 2



DISCHARGE SNOW THIS SIDE ONLY

Where it is possible to throw the snow to the left and right (above), as on a long driveway, it is advantageous to start in the middle. Plow from one end to the other, throwing snow to both sides without changing the direction of the discharge guide

If the snow can only be thrown to one side of the driveway or sidewalk (above), start on the opposite side. At the end of the first pass, rotate the discharge guide 180 degrees for the return pass. At the end of each succeeding pass, rotate the discharge guide 180 degrees to maintain direction of throw in the same area.

MAINTENANCE

MAINTENANCE

ALWAYS USE GENUINE PARTS WHEN REPLACEMENT PARTS ARE REQUIRED



WARNING

To avoid serious personal injury:

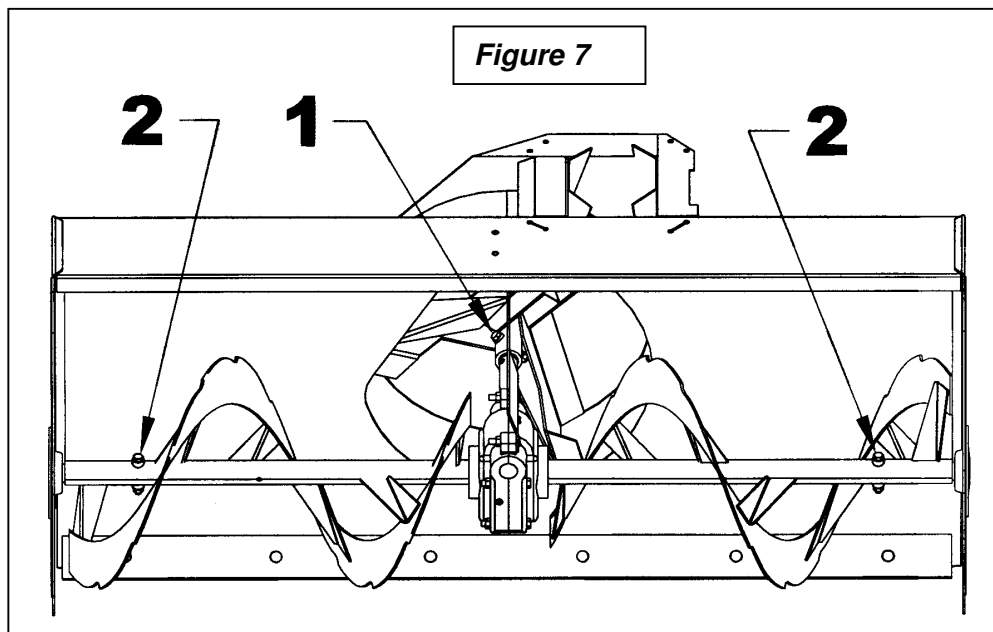
- **Before cleaning, adjusting or repairing the snowblower: bring the tractor to a complete stop, lower the implement shut off the engine and remove the ignition key.**
- **Never park the tractor inside a building where an open flame or sparks are present. Allow the engine to cool down before storing in any enclosure.**
- **Run the snowblower a few minutes after blowing snow to prevent freeze up of auger and fan.**
- **Provide adequate blocking before working under the snowblower when in raised position.**

Gearbox and Reduction Box

When servicing either the gearbox or the reduction box, the tightness of the casing must be restored. To do so, apply a layer of silicone to the casing before closing it. Allow the silicone to cure for at least 24 hours before filling it with oil.

Shear Bolts *(Figure 7)*

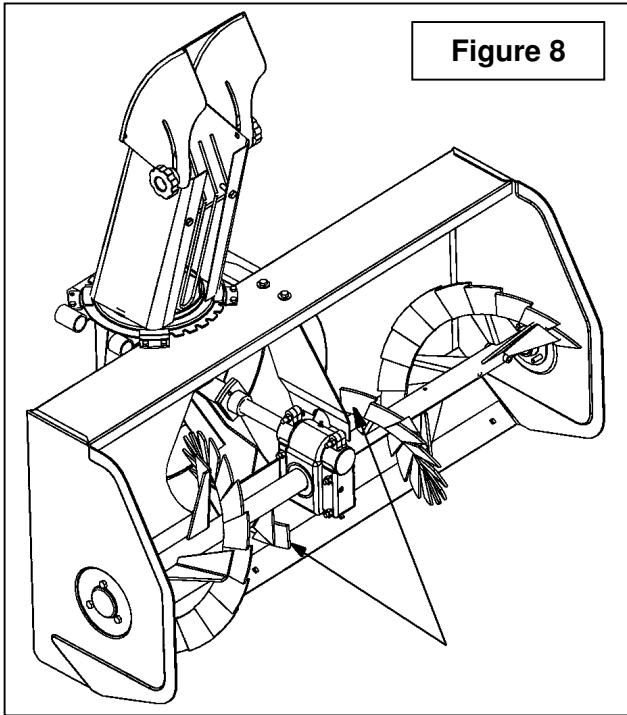
1. Always use a special grade 8 one grooved shear bolt, gold plated (70060-02808) on fan (item 1) and special grade 5 two grooved shear bolts, silver plated (70060-01338) on the auger (item 2) as shown on decal (70060-02814 or 70060-02815) .
2. Check shear bolts at frequent intervals for proper tightness to be sure the snowblower is in safe working condition. Torque must be at 9 lbs-ft (12 N-M)



MAINTENANCE

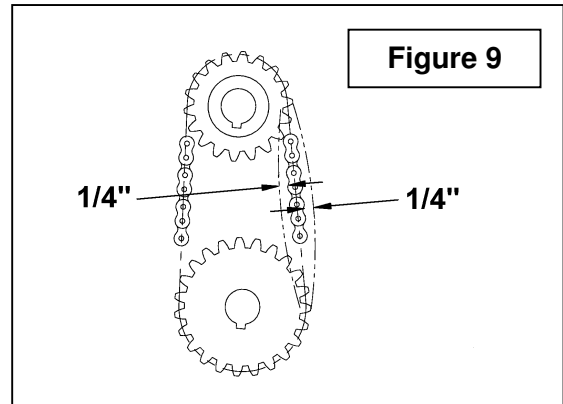
Auger Repositioning (Figure 8)

After shear bolt breakage on one of the augers, make sure to reposition the augers as shown on the figure below.



Drive Chain Tension Adjustment (Figure 9)

Remove the driveline guard. Loosen the four bolts securing the reduction box to the snowblower. Tighten the chain in order to leave approximately 1/4" deflection. Tighten the four bolts securing reduction box to the snowblower and reinstall the driveline guard.



LUBRICATION

Use a good grease gun and lubricate as follows:

DESCRIPTION	INTERVAL	LUBRICATION REQUIRED
Driveline	8 hours	Grease each universal joint
	24 hours	Separate the sliding parts and cover each one of them with grease
Driving chain	4 hours and after each operation	Lubricate with chain saw lubricant
Auger	24 hours of operation or once a year whichever comes first	Grease fitting on each auger section
Gearbox	every month	Check oil level. If needed, add AGMA 5EP extreme pressure oil, SAE 80W90 gear oil or equivalent.

PARTS

INTRODUCTION

All parts are illustrated in "exploded views" which show the individual parts in their normal relationship to each other. Reference numbers are used in the illustrations. These numbers correspond to those in the "Reference Number" (REF) column, and are followed by the description and quantity required.

O/L - "Obtain Locally" in the part number column indicates common hardware that is available at your local hardware supply.

All reference to right and left, forward or rearward from the operator's view standing behind the machine.

Orders must give the complete description, correct part number, the total amount required, the serial number, the method of shipment and the shipping address.

The manufacturer reserves the rights to change, modify, or eliminate from time to time, for technical or other reasons, certain or all data, specifications, or the product or products themselves, without any liability or obligation.

The parts listed here are available through your local dealer.

PARTS

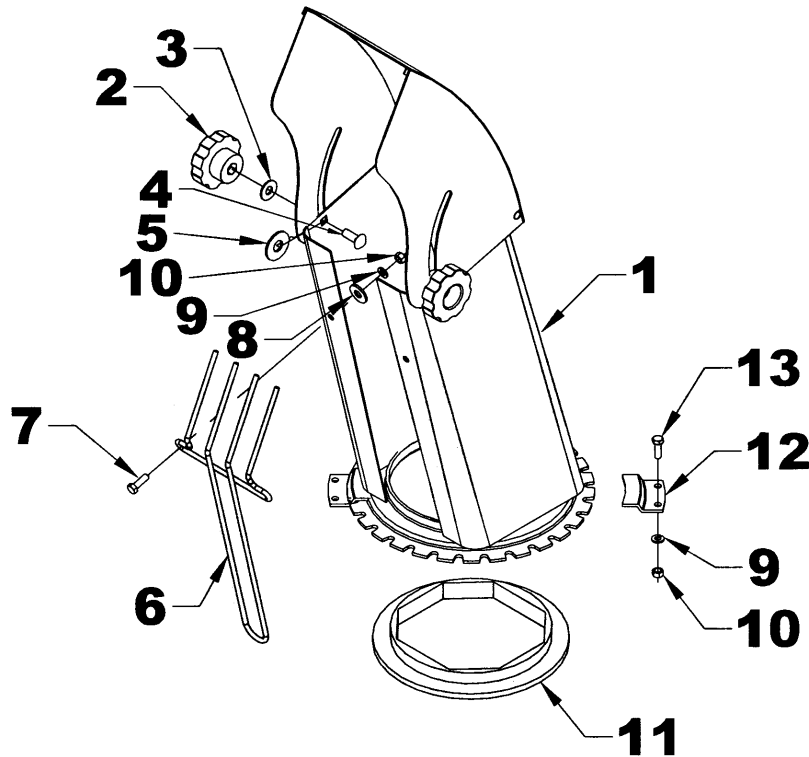
SNOWBLOWER ASSEMBLY – BX2750D

REF.	DESCRIPTION	QTY	PART #	CODE
	Hardware bag (USA)	1	77700-00519	668365
	Hardware bag (Canada)	1	77700-00606	668371
1	Housing	1	70060-02596	667381
2	Gearbox ass'y (ccw)	1	70060-02191	4500037
3	Fan including bushings 70060-01331	1	70060-02188	667080
4	Bushing (iolite)	2	70060-02757	4300055
5	Nylon insert nut hex. 1/2" NC PTD	2	O/L	O/L
6	Lockwasher 1/2" PTD	2	O/L	O/L
7	Nylon insert nut hex. 3/8" PTD	2	O/L	O/L
8	Key woodruff	1	70060-01306	655967
9	Bolt hex. 3/8" x 1", PTD	2	O/L	O/L
10	Auger RH	1	70060-01906	666737
11	Auger LH	1	70060-01907	666738
12	Shear bolt 5/16" NC x 2 1/4" w/ lock & nut, silver PTD, gr5	2	70060-01338	657295
13	Bearing with locking collar	2	70060-70338	665494
14	Flange	2	70060-01409	657334
15	Bolt hex. 5/16" NC x 3/4" gr.5 PTD	6	O/L	O/L
16	Lockwasher 5/16" PTD	13	O/L	O/L
17	Nut hex. 5/16" NC PTD	9	O/L	O/L
18	Gearbox support	1	70060-01680	657492
19	Bolt hex. 1/2" NC x 1" lg gr.5 PTD	2	O/L	O/L
20	Female quick hitch	1	70001-00702	665056
21	Grease fitting	2	70060-00940	654106
22	Flat washer Ø3/8" PTD	4	O/L	O/L
23	Flange	2	70060-01426	656589
24	Bearing with locking collar	1	70060-70339	665495
25	Carriage bolt 5/16" NC x 3/4" gr.5 PTD	9	70060-04188	0300002
26	Cutting edge	1	70060-03528	659862
27	Carriage bolt 5/16" x 1" gr.5 PTD	4	70001-00793	0300003
28	Stover nut 5/16" NC PTD	6	70001-00794	1100002
29	Skid shoe	2	70001-00508	663460
30	Output shaft	1	70060-03527	660390
31	Outer retaining ring	1	70060-01950	655087
32	Shear bolt 5/16" NC x 2 1/4" w/ lock & nut, gold PTD, gr8	1	70060-02808	667786
33	Lock washer 3/8" PTD	2	O/L	O/L
34	Nut nylon insert 5/16" NC, PTD	4	O/L	O/L
35	Bolt serrated flange 5/16" NC x 3/4" lg, PTD	2	70060-02415	0200083
36	Nut serrated flange 5/16" NC, PTD	2	70060-02135	0900036

PARTS

CHUTE WITH DEFLECTOR

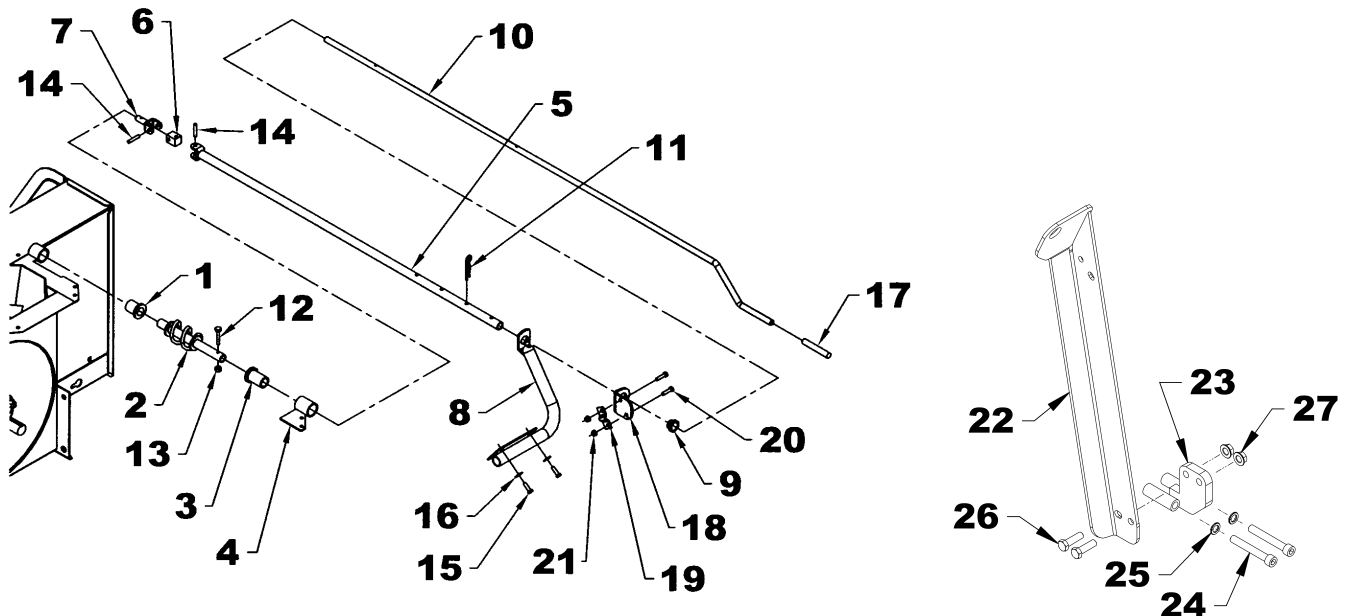
REF.	DESCRIPTION	QTY	PART #	CODE
1	Chute assembly (USA)	1	70060-02535	667384
	Chute assembly (CANADA)	1	70060-02536	667385
2	Knob 5/16"NC	2	70060-01419	657309
3	Flat washer nylon 11/32" dia.	2	70060-03052	658467
4	Carriage bolt 5/16"NC x 1" gr.5 PTD	2	O/L	O/L
5	Flat washer nylon 7/16" dia.	2	70060-03053	658468
6	Hand guard	1	70060-01358	657308
7	Bolt hex. 1/4"NC x 3/4" gr.5 PTD	2	O/L	O/L
8	Flat washer 5/16" dia. PTD	2	O/L	O/L
9	Lockwasher 1/4" PTD	10	O/L	O/L
10	Nut hex. 1/4"NC PTD	10	O/L	O/L
11	Rotation bushing	1	70060-01357	657338
12	Retaining plate	4	70060-01353	657333
13	Bolt hex. 1/4" NC x 3/4" gr.5 PTD	8	O/L	O/L



PARTS

MANUAL CHUTE ROTATION

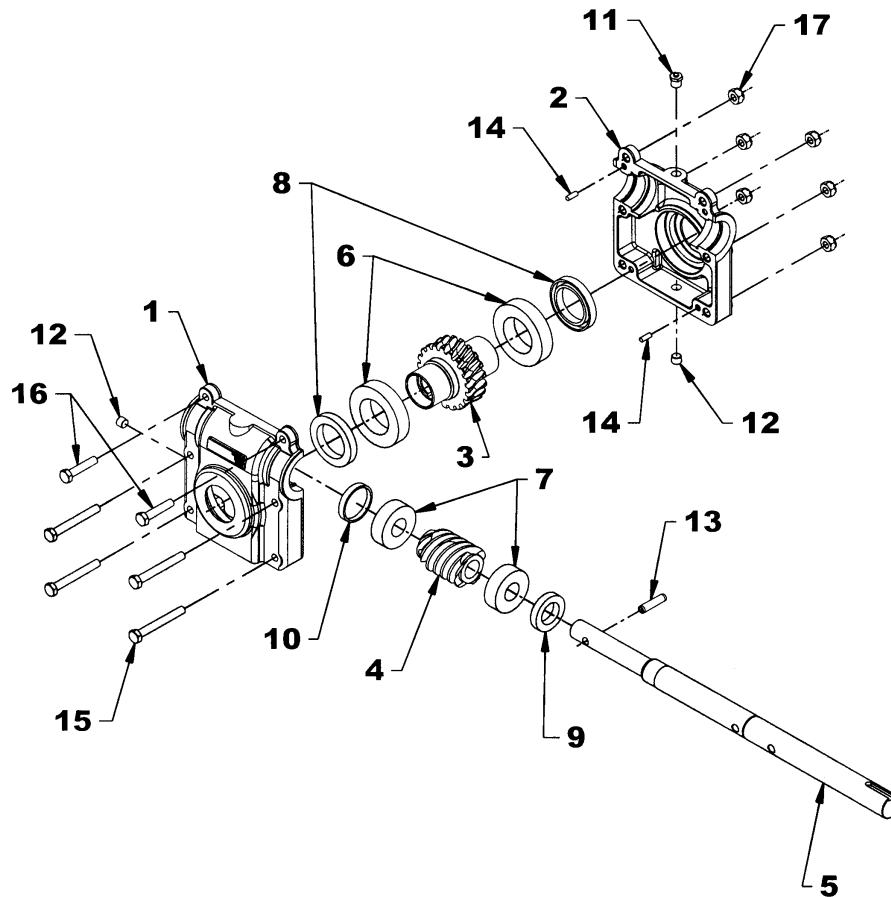
REF.	DESCRIPTION	QTY	PART #	CODE
1	Plastic bushing 1 5/16"	1	70060-01350	657335
2	Rotation worm	1	70001-00683	665037
3	Plastic bushing 1 11/16"	1	70060-01351	657336
4	Rotation worm support	1	70060-01684	657493
5	Handle tube	1	70001-00682	665041
6	Universal block	2	70060-03417	658193
7	Rotation yoke	1	70060-03416	659595
8	Handle support	1	70060-02280	667223
9	Plastic grommet	1	70060-02689	665959
10	Handle	1	70060-02109	667014
11	Hairpin Ø 4mm x 80mm PTD	1	O/L	O/L
12	Cap screw 10-24 NC x 1"	1	O/L	O/L
13	Nylon insert locknut hex. 10-24 NC PTD	1	O/L	O/L
14	Spring pin Ø1/4" x 1 1/4"	2	O/L	O/L
15	Bolt hex. M6 x 1.00 x 20mm lg PTD	2	70060-02110	0200090
16	Flat washer Ø5/16" int. PTD	2	O/L	O/L
17	Plastic handle 1/2" x 3" lg	1	70060-01318	656797
18	Handle support– BX1850, BX2350, BX2660 & BX24	1	70060-02684	667593
19	Box clamp	1	70060-02670	667558
20	Bolt hex. 1/4" NC x 1" lg, gr. 5, PTD	2	O/L	O/L
21	Serrated flange nut 1/4" NC, PTD	2	70060-02478	0900058
22	Handle support – B2320, B2620 & B2920	1	77700-00618	668385
23	Handle support bracket	1	77700-00619	668386
24	Allen socket head cap screw 10 mm x 1.25 x 70 mm Gr. 8.8 PTD	2	77700-00631	0800042
25	Lockwasher Ø10 mm, PTD	2	70060-00792	1200019
26	Bolt hex. 3/8" NC x 1 1/4" lg, PTD	2	O/L	O/L
27	Serrated flange nut 3/8" NC, PTD	2	70060-00791	0900035



AVAILABLE OPTIONS

WORM GEARBOX (70060-02191)

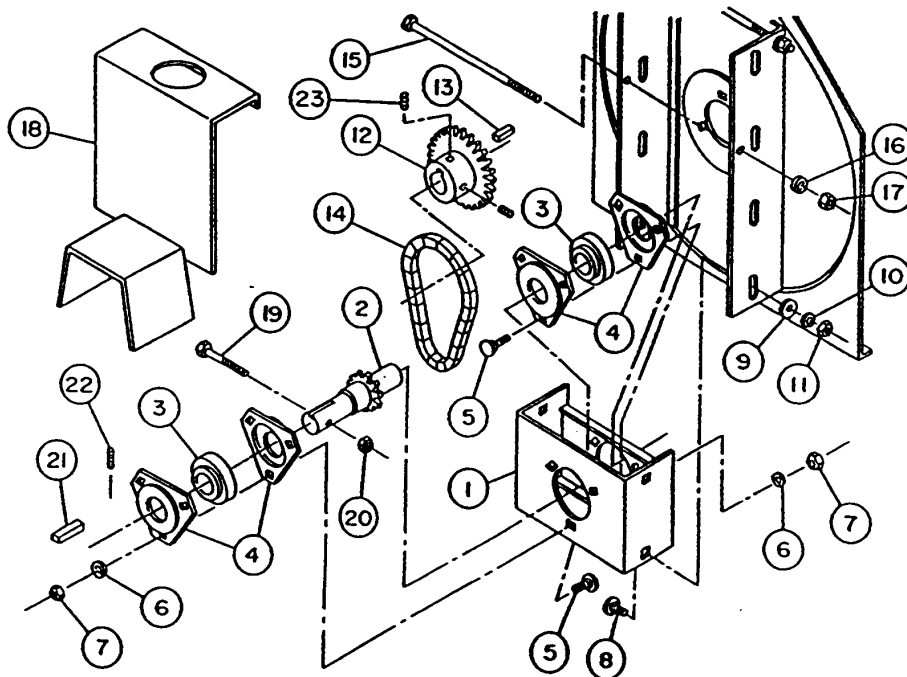
REF.	DESCRIPTION	QTY	PART #	CODE
	Casing kit (items 1 and 2)	1	70060-01913	4500021
1	Left casing	1	-----	-----
2	Right casing	1	-----	-----
	Worm and gear kit (items 3 and 4)	1	70060-01912	4500020
3	Gear	1	-----	-----
4	Worm	1	-----	-----
5	Driving shaft	1	70060-02190	4500036
6	Bearing	2	70060-03797	661147
7	Bearing	2	70060-01908	663234
	Seal kit (item 8 and 9)	1	70060-01066	665775
8	Seal	2	-----	-----
9	Seal	1	-----	-----
10	Cap	1	70060-03800	661150
11	Breather 1/8" NPT, 5 PSI, PTD	1	70060-00840	654927
12	Plug 1/8" NPT, PTD	2	70060-01428	656090
13	Spring pin 5/16" dia. x 1 1/4" lg.	1	70060-01909	663243
14	Dowel pin 3/16" dia. x 1/2" lg.	2	70060-01910	663245
15	Hex. bolt 5/16" NC x 2 1/2" lg., PTD	4	O/L	O/L
16	Hex. bolt 5/16" NC x 1 1/2" lg., PTD	2	O/L	O/L
17	Nylon insert locknut 5/16" NC, PTD	6	O/L	O/L



PARTS

REDUCTION BOX ASSEMBLY

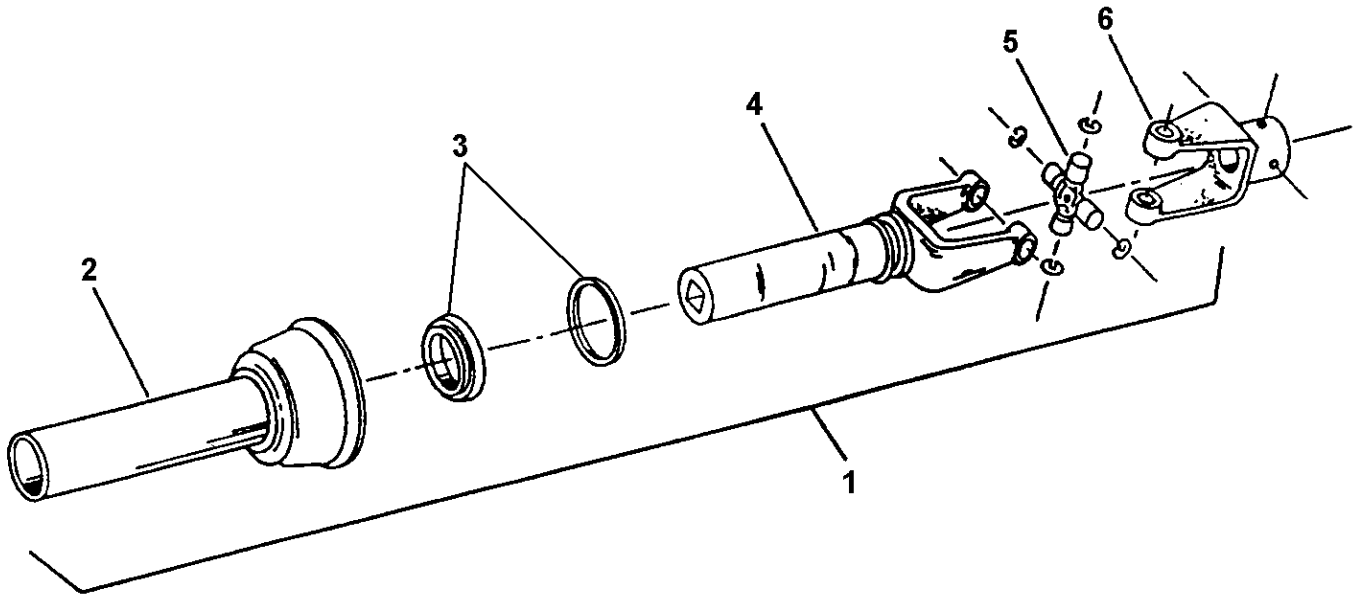
REF.	DESCRIPTION	QTY	PART #	CODE
	Reduction box ass'y inc. bearing & sprocket	1	70060-01422	657353
1	Reduction box	1	70060-01423	657355
2	Drive shaft with sprocket (H40C11)	1	70060-01424	657250
3	Bearing 1" bore with locking collar	2	70060-70338	665494
4	Bearing flange	4	70060-01426	656589
5	Carriage bolt 5/16"NC x 5/8"	6	O/L	O/L
6	Lockwasher 5/16"	6	O/L	O/L
7	Hex. nut 5/16"	6	O/L	O/L
8	Carriage bolt 5/16"NC x 3/4"	4	O/L	O/L
9	Lockwasher 5/16"	4	O/L	O/L
10	Flat washer 3/8" hole	4	O/L	O/L
11	Hex. nut 5/16"	4	O/L	O/L
12	Sprocket (H40B32)	1	70060-01274	656543
13	Key 1/4" x 1/4" x 1"	1	70060-00928	655379
14	Chain #40 x 38 links L.L. with connecting link	1	70060-01275	656570
	Connecting link	1	70060-01427	656178
15	Hex. bolt 1/4" x 7 1/2"	2	O/L	O/L
16	Lockwasher 1/4"	2	O/L	O/L
17	Hex. nut 1/4"NC	2	O/L	O/L
18	Driveline guard	1	70060-01364	657388
19	Hex. bolt 1/4"NC x 2"	1	O/L	O/L
20	Nylon locknut 1/4"NC	1	O/L	O/L
21	Key 1/4" x 1/4" x 1 1/4"	1	70060-00814	654643
22	Allen setscrew 3/8"NC x 1/4"	1	O/L	O/L
23	Allen setscrew 5/16"NC x 5/16"	2	O/L	O/L



PARTS

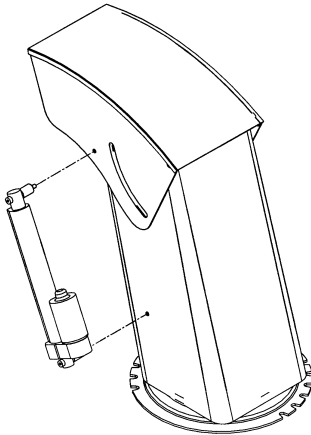
DRIVELINE FEMALE HALF (70060-02345)

REF.	DESCRIPTION	QTY	PART #	CODE
1	Driveline female half ass'y	1	70060-02345	4700044
2	Inner shield	1	70060-03429	658511
3	Nylon repair kit	1	70060-04238	661555
4	Yoke & female shaft ass'y	1	70060-02347	4700071
5	Journal cross	1	70060-02335	4700066
6	Yoke 1" dia.hole.	1	70060-02348	4700072



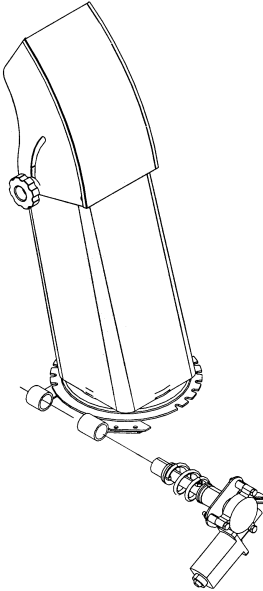
AVAILABLE OPTIONS

**ELECTRIC CHUTE
DEFLECTOR**



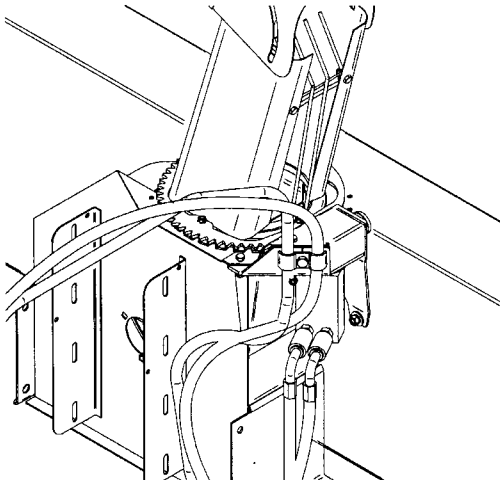
GB2513

**ELECTRIC CHUTE
ROTATION**



GB2514B-1

**HYDRAULIC CHUTE
ROTATION**

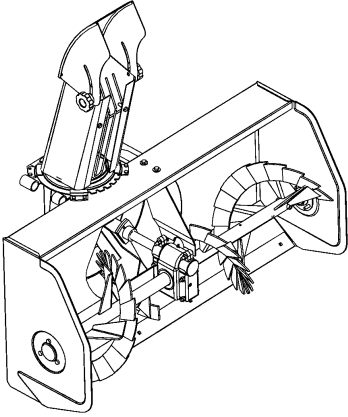


BX2754

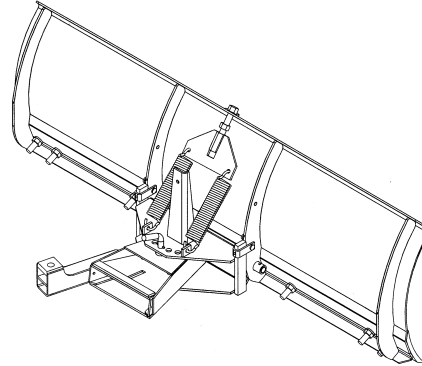
AVAILABLE EQUIPMENT

REFER TO YOUR KUBOTA DEALER FOR SUITABLE MODEL

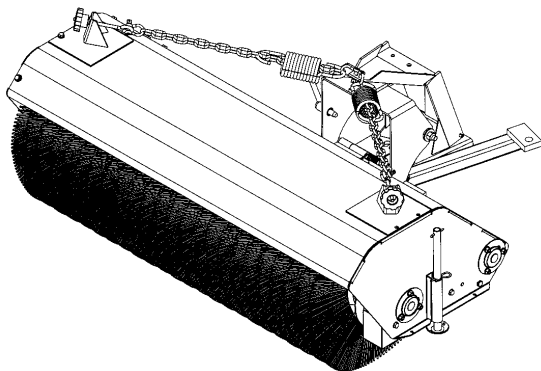
SNOWBLOWERS



FRONT DOZER BLADES



ROTARY BROOMS



QUICK HITCHES & SUBFRAMES

TORQUE SPECIFICATION TABLE

GENERAL SPECIFICATION TABLE

Use the following torques when special torques are not given. Note: These values apply to fasteners as received from supplier, when dry. These values do not apply if lubricants are used.

BOLT SIZES (SAE)	TORQUE	
INCHES	Pounds-Foot	Newton-Meters
1/4	5	7
5/16	10	14
3/8	20	27
7/16	25	41
1/2	88	119
5/8	165	224
3/4	297	403
9/16	121	164
7/8	440	597
1	638	865
1 1/8	840	1139
1 1/4	1180	1600
1 3/8	1570	2129
1 1/2	2070	2807

BOLT SIZES (METRIC)	TORQUE	
MILLIMETERS	Pounds-Foot	Newton-Meters
M6	10	13
M8	22	30
M10	40	54
M12	59	80
M14	93	126
M16	130	176
M18	168	228
M20	205	278

Printed in Canada

