

# Instructions for Parts Books

The heading at the top of the page will be the same for the picture of the parts as it is for the page with the part numbers.

Definition of column headings on part number pages:

**REF.No** → The number referring to the part on the picture page of the parts book.

**Part No.** → The number assigned to this part at the time of printing the parts book.

**Description** → Description of part.

**Q'ty** → Quantity of part used on that page.

**S.No.** → Serial number range of the equipment that this part will fit.

>= Your serial number should be greater than or equal to the number shown.

<= Your serial number should be lesser than or equal to the serial number shown.

**I/C** → Interchangeability of part shown.

↔ The part shown will work for the older and later serial number.

# The part shown is not interchangeable with the other serial number.

← new for old

→ old for new

**Remarks** → Notes about this particular part. Sometimes this may say except [FR] or [CA]

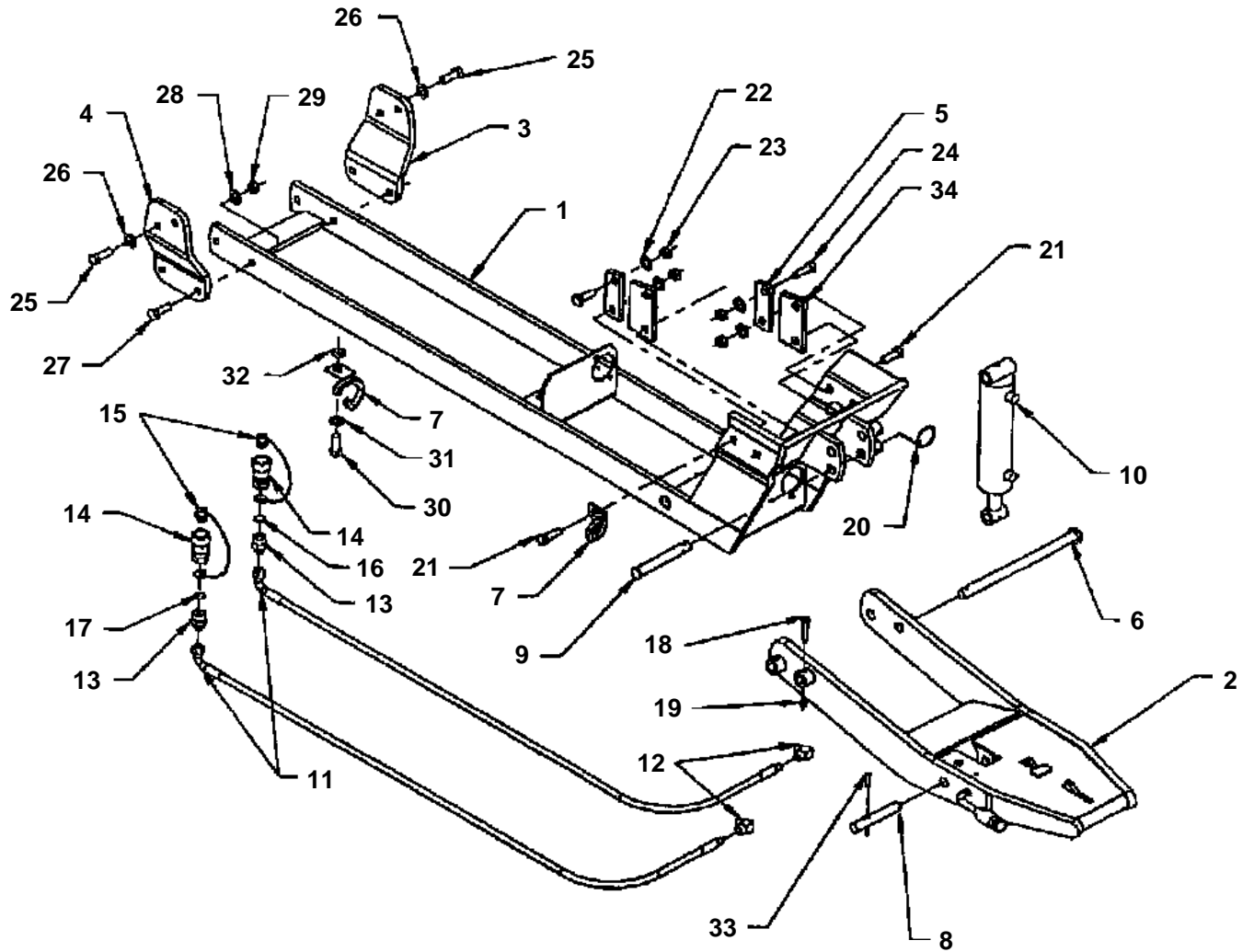
## Note about Country Codes:

The parts books we use in the United States of America may also contain information about a part that would be different in another country. It is important that you are aware of the country codes in some instances.

Symbol	Country
A	United States of America
CA	Canada
FR	France
GR	Greece
PO	Portugal
AU	Australia

If the remarks column says for example EXCEPT [FR] this part works in all countries except France. That means it will work here in the USA.

SUBFRAME



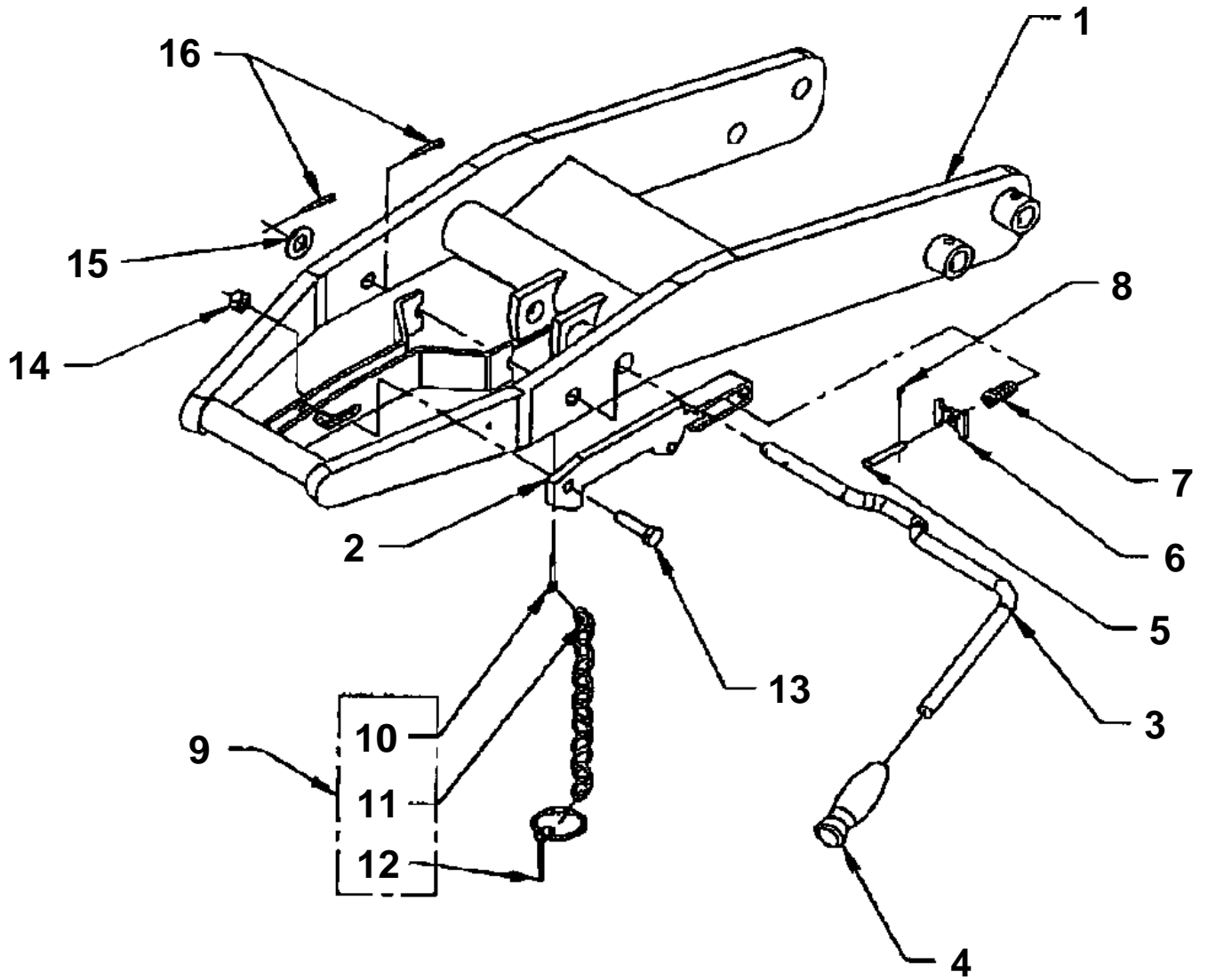


# SUBFRAME

↔ Interchangeable; ≠ not interchangeable; ← new for old; → old for new

REF.No	Part No.	Description	Q'ty	S.No.	I/C	REMARKS	Weight (kgf)	Weight (lb)
1	70001-00612	SUBFRAME	1				0	0
2	70001-00613	QUICK HITCH	1				0	0
3	70001-00615	LEFT BRACKET	1				0	0
4	70001-00614	RIGHT BRACKET	1				0	0
5	70001-00616	FRONT SPACER	2				0	0
6	70060-01531	PIVOT PIN	1				0	0
7	70060-01609	HOSE SUPPORT	2				0	0
8	70060-01545	CYLINDER PIN 1	1				0	0
9	70060-04127	CYLINDER PIN 2	1				0	0
10	70060-04170	HYDRAULIC CYLINDER	1				0	0
10A	70001-00665	SEAL KIT	1				0	0
11	70060-04103	HOSE	2				0	0
12	70001-00599	ELBOW 90°	2				0	0
13	70060-04101	ADAPTER	2				0	0
14	70060-04310	FEMALE QUICK COUPLER	2				0	0
15	70060-01551	DUST PLUG	2				0	0
16	70060-01726	PLASTIC RING - RED	2				0	0
17	70060-01727	PLASTIC RING - BLUE	2				0	0
18	70000-74028	OBTAIN LOCALLY	1				0	0
19	70000-74028	OBTAIN LOCALLY	1				0	0
20	70000-74028	OBTAIN LOCALLY	1				0	0
21	01073-51450	HEX BOLT	4				0.08	0.176
22	70000-74028	OBTAIN LOCALLY	8				0	0
23	02072-50140	HEX NUT	8				0.016	0.0352
24	01073-51440	HEX BOLT	4				0.069	0.1518
25	01173-51250	HEX BOLT	4				0.05	0.11
26	70000-74028	OBTAIN LOCALLY	4				0	0
27	70000-74028	OBTAIN LOCALLY	4				0	0
28	70000-74028	OBTAIN LOCALLY	4				0	0
29	70000-74028	OBTAIN LOCALLY	4				0	0
30	70000-74028	OBTAIN LOCALLY	1				0	0
31	70000-74028	OBTAIN LOCALLY	1				0	0
32	70000-74028	OBTAIN LOCALLY	1				0	0
33	70000-74028	OBTAIN LOCALLY	1				0	0
34	70001-00666	FRONT SPACER	2				0	0

MALE QUICK HITCH





# MALE QUICK HITCH

↔ Interchangeable; ≠ not interchangeable; ← new for old; → old for new

REF.No	Part No.	Description	Q'ty	S.No.	I/C	REMARKS	Weight (kgf)	Weight (lb)
1	70001-00627	MALE QUICK HITCH ASS	1				0	0
2	70060-01612	QUICK HITCH LATCH	1				0	0
3	70060-01613	ENGAGEMENT LEVER	1				0	0
4	70060-01318	PLASTIC GRIP	1				0	0
5	70060-01404	PIN	1				0	0
6	70060-01403	SPRING PLATE	1				0	0
7	70060-01462	SPRING PLATE	1				0	0
8	70000-74028	OBTAIN LOCALLY	1				0	0
9	70060-01611	SAFETY CHAIN ASSY	1				0	0
10	70000-74028	OBTAIN LOCALLY	1				0	0
11	70060-01406	CHAIN	1				0	0
12	70000-74028	OBTAIN LOCALLY	1				0	0
13	70000-74028	OBTAIN LOCALLY	1				0	0
14	70000-74028	OBTAIN LOCALLY	1				0	0
15	70000-74028	OBTAIN LOCALLY	1				0	0
16	70000-74028	OBTAIN LOCALLY	2				0	0