

Instructions for Parts Books

The heading at the top of the page will be the same for the picture of the parts as it is for the page with the part numbers.

Definition of column headings on part number pages:

REF.No → The number referring to the part on the picture page of the parts book.

Part No. → The number assigned to this part at the time of printing the parts book.

Description → Description of part.

Q'ty → Quantity of part used on that page.

S.No. → Serial number range of the equipment that this part will fit.

>= Your serial number should be greater than or equal to the number shown.

<= Your serial number should be lesser than or equal to the serial number shown.

I/C → Interchangeability of part shown.

↔ The part shown will work for the older and later serial number.

The part shown is not interchangeable with the other serial number.

← new for old

→ old for new

Remarks → Notes about this particular part. Sometimes this may say except [FR] or [CA]

Note about Country Codes:

The parts books we use in the United States of America may also contain information about a part that would be different in another country. It is important that you are aware of the country codes in some instances.

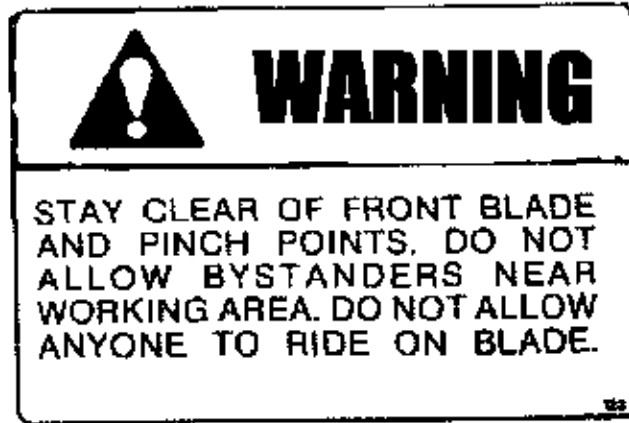
Symbol	Country
A	United States of America
CA	Canada
FR	France
GR	Greece
PO	Portugal
AU	Australia

If the remarks column says for example EXCEPT [FR] this part works in all countries except France. That means it will work here in the USA.

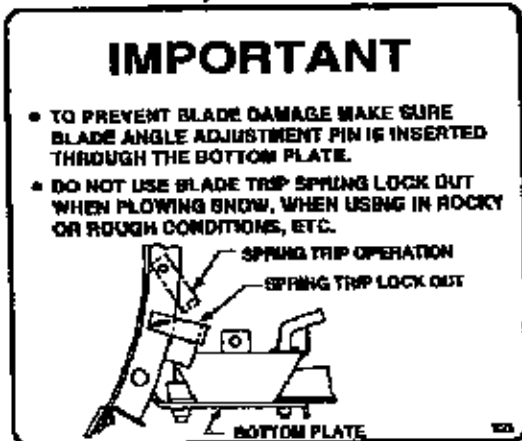
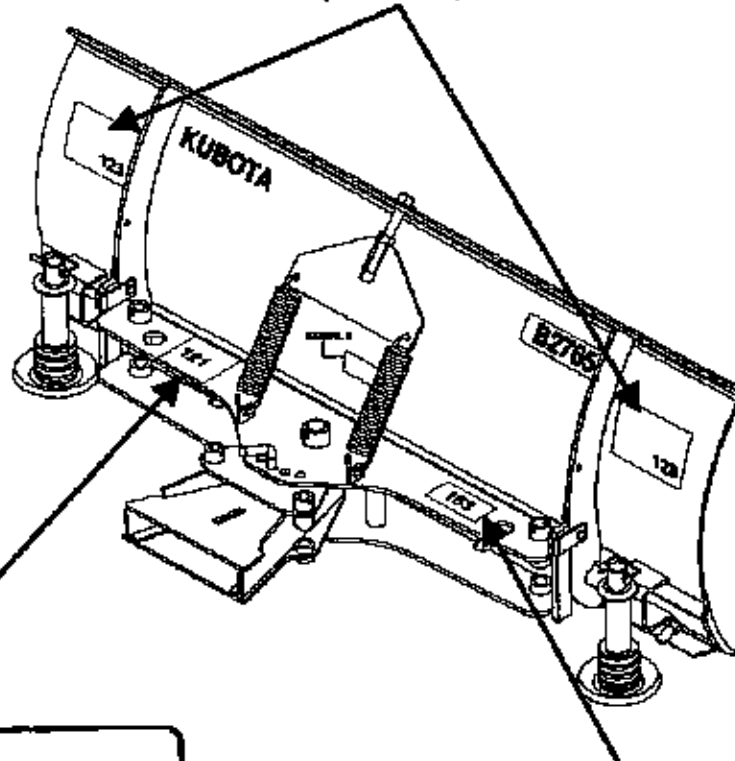
B2765 Front Blade

Part No.		Book
01001	DECALS	100Z0233
01002	BLADE ASSEMBLY	100Z0233
01003	HYDRAULIC ANGLING	100Z0233

Replace immediately if damaged



**1 70060-01448
(657524)**



**2 70060-01447
(657503)**



**3 70060-03033
(658710)**

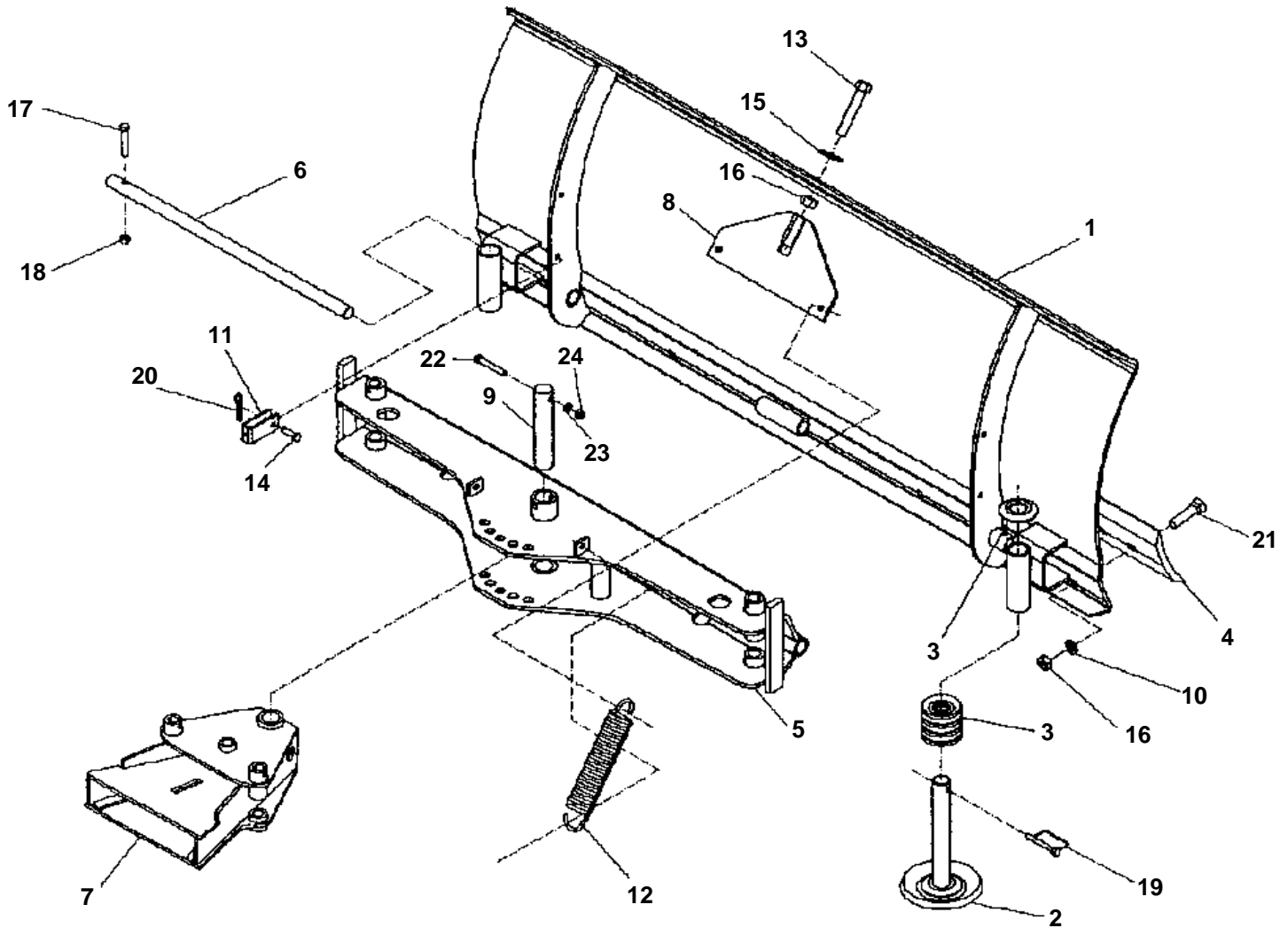


DECALS

↔ Interchangeable; ≠ not interchangeable; ← new for old; → old for new

REF.No	Part No.	Description	Q'ty	S.No.	I/C	REMARKS	Weight (kgf)	Weight (lb)
1	70060-01448	WARNING DECAL	2				0	0
2	70060-01447	IMPORTANT DECAL	1				0	0
3	70060-03033	WARNING DECAL	1				0	0

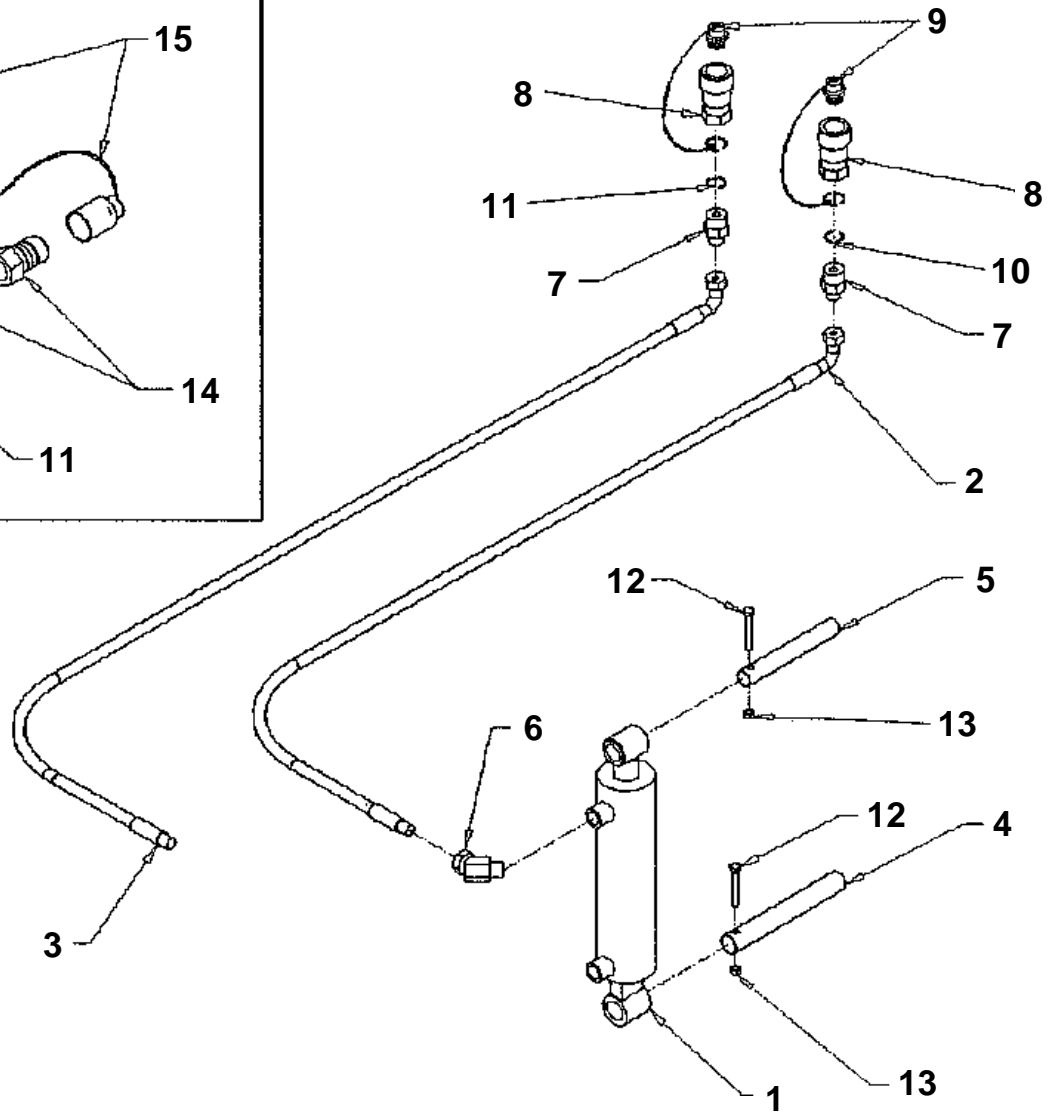
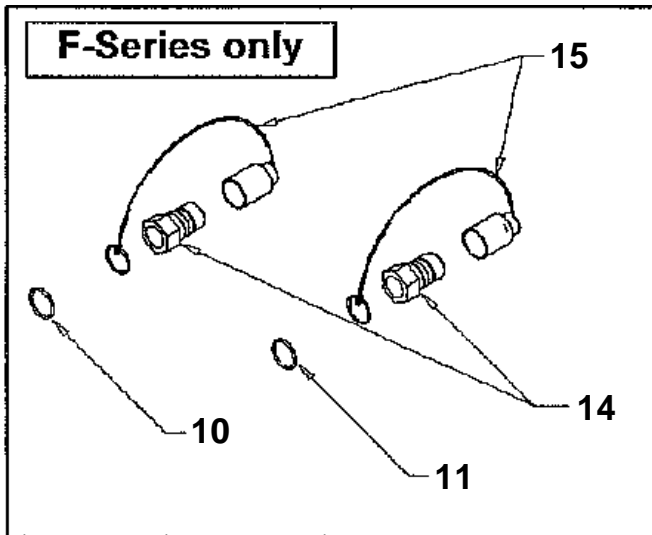
BLADE ASSEMBLY



**BLADE ASSEMBLY**

↔ Interchangeable; ≠ not interchangeable; ← new for old; → old for new

REF.No	Part No.	Description	Q'ty	S.No.	I/C	REMARKS	Weight (kgf)	Weight (lb)
1	70001-00647	MOLD BOARD	1				0	0
2	70001-00648	SKID SHOE	1				0	0
3	70060-03256	SPACER	1				0	0
4	70060-03433	CUTTING EDGE	1				0	0
5	70001-00658	ADJUSTABLE ATTACHMEN	1				0	0
6	70001-00659	BLADE PIN	1				0	0
7	70001-00652	FEMALE HITCH	1				0	0
8	70001-00653	SPRING PLATE	1				0	0
9	70001-00654	PIVOT PIN	1				0	0
10	70000-74028	OBTAIN LOCALLY	1				0	0
11	70060-01749	TRIP SPRING LOCKOUT	1				0	0
12	70060-01798	SPRING PLATE	1				0	0
13	70001-00656	BOLT SPECIAL	1				0	0
14	70001-00514	PIN	1				0	0
15	70000-74028	OBTAIN LOCALLY	1				0	0
16	70000-74028	OBTAIN LOCALLY	1				0	0
17	70000-74028	OBTAIN LOCALLY	1				0	0
18	70000-74028	OBTAIN LOCALLY	1				0	0
19	70000-74028	OBTAIN LOCALLY	1				0	0
20	70000-74028	OBTAIN LOCALLY	1				0	0
21	70000-74028	OBTAIN LOCALLY	1				0	0
22	70000-74028	OBTAIN LOCALLY	1				0	0
23	70000-74028	OBTAIN LOCALLY	1				0	0
24	70000-74028	OBTAIN LOCALLY	1				0	0





HYDRAULIC ANGLING

↔ Interchangeable; ≠ not interchangeable; ← new for old; → old for new

REF.No	Part No.	Description	Q'ty	S.No.	I/C	REMARKS	Weight (kgf)	Weight (lb)
1	70001-00636	HYDRAULIC CYLINDER	1				0	0
1A	70001-00660	SEAL KIT	1				0	0