

Instructions for Parts Books

The heading at the top of the page will be the same for the picture of the parts as it is for the page with the part numbers.

Definition of column headings on part number pages:

REF.No → The number referring to the part on the picture page of the parts book.

Part No. → The number assigned to this part at the time of printing the parts book.

Description → Description of part.

Q'ty → Quantity of part used on that page.

S.No. → Serial number range of the equipment that this part will fit.

>= Your serial number should be greater than or equal to the number shown.

<= Your serial number should be lesser than or equal to the serial number shown.

I/C → Interchangeability of part shown.

↔ The part shown will work for the older and later serial number.

The part shown is not interchangeable with the other serial number.

← new for old

→ old for new

Remarks → Notes about this particular part. Sometimes this may say except [FR] or [CA]

Note about Country Codes:

The parts books we use in the United States of America may also contain information about a part that would be different in another country. It is important that you are aware of the country codes in some instances.

Symbol	Country
A	United States of America
CA	Canada
FR	France
GR	Greece
PO	Portugal
AU	Australia

If the remarks column says for example EXCEPT [FR] this part works in all countries except France. That means it will work here in the USA.


BX2751 Sub Frame

Part No.		Book
01001	DECALS	100Z0239
01002	SUBFRAME	100Z0239
01003	MALE QUICK HITCH	100Z0239
01004	MID PTO KIT	100Z0239

ATTACHING INSTRUCTIONS

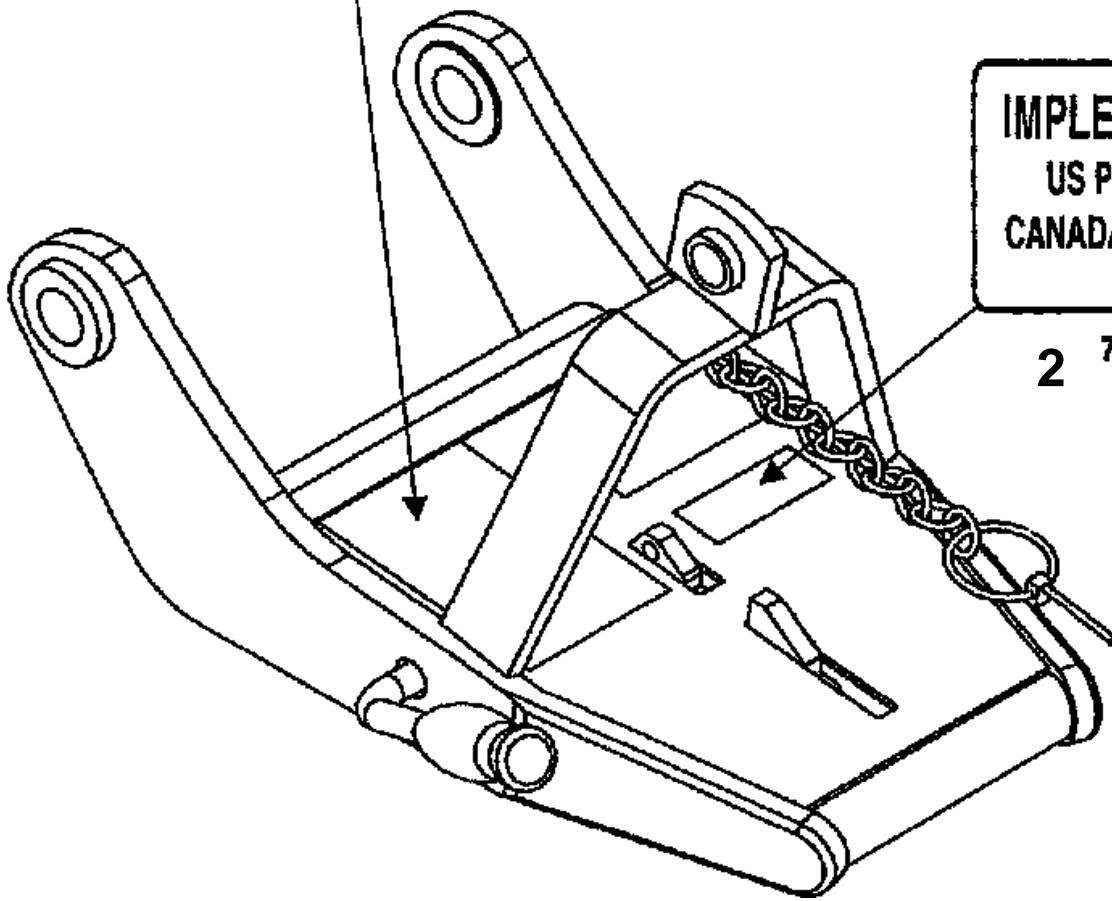
1. Insert subframe into attachment completely.
2. Lock in place by moving lever forward to "Lock" position and secure with lynch pin.
3. If equipped with P.T.O. drive line, connect to tractor P.T.O. and lock in place.
4. If equipped with lift assist springs, lift the attachment and attach springs.

UNLOCK LOCK



113

1 70060-01437
(657364)



IMPLEMENT COUPLER
US PATENT # 4,778,195
CANADA PATENT # 1,315,593

297

2 70060-01438
(662675)

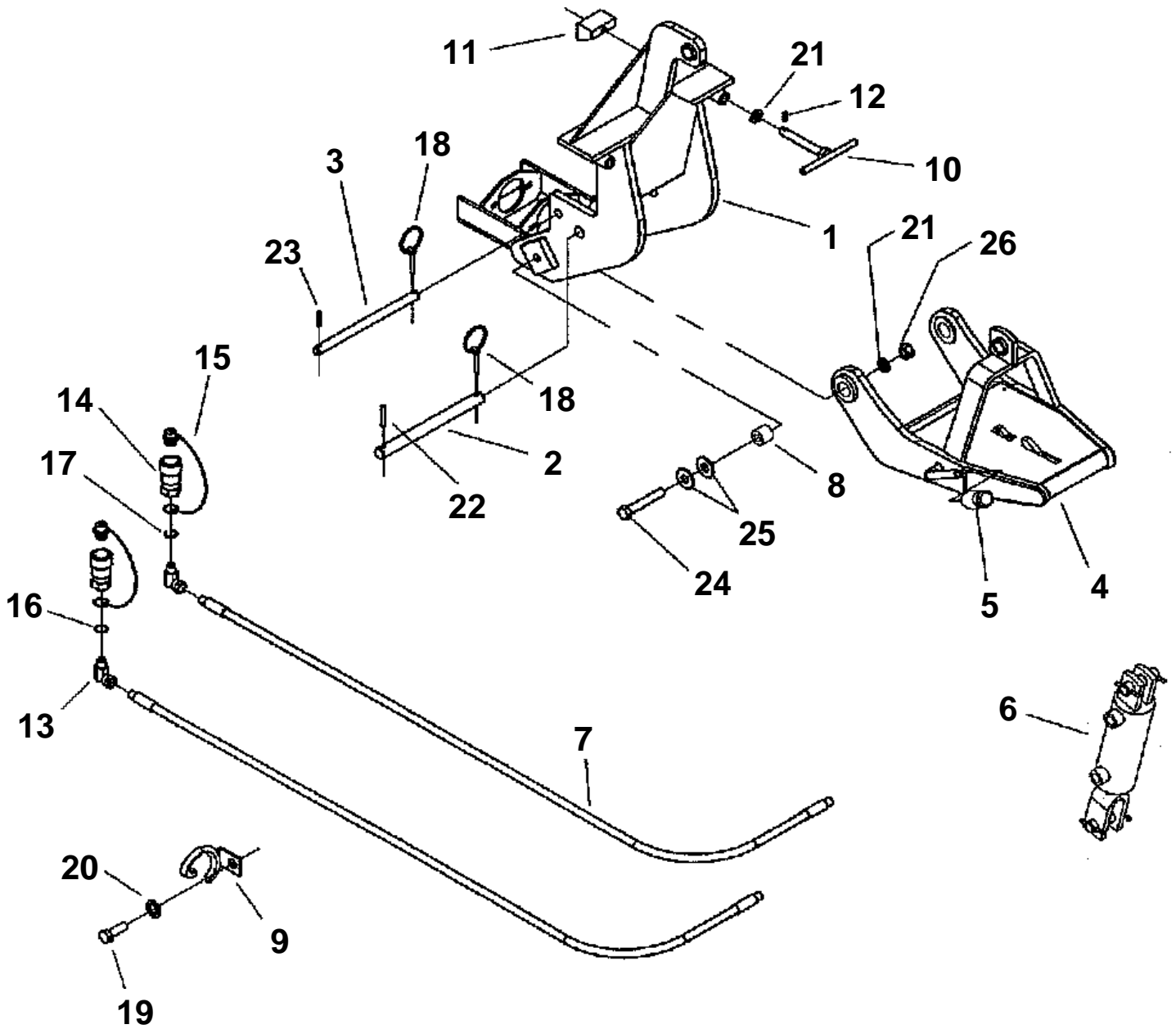


DECALS

↔ Interchangeable; ≠ not interchangeable; ← new for old; → old for new

REF.No	Part No.	Description	Q'ty	S.No.	I/C	REMARKS	Weight (kgf)	Weight (lb)
1	70060-01437	ATTACHING DECAL	1				0	0
2	70060-01438	PATENT DECAL	1				0	0

SUBFRAME

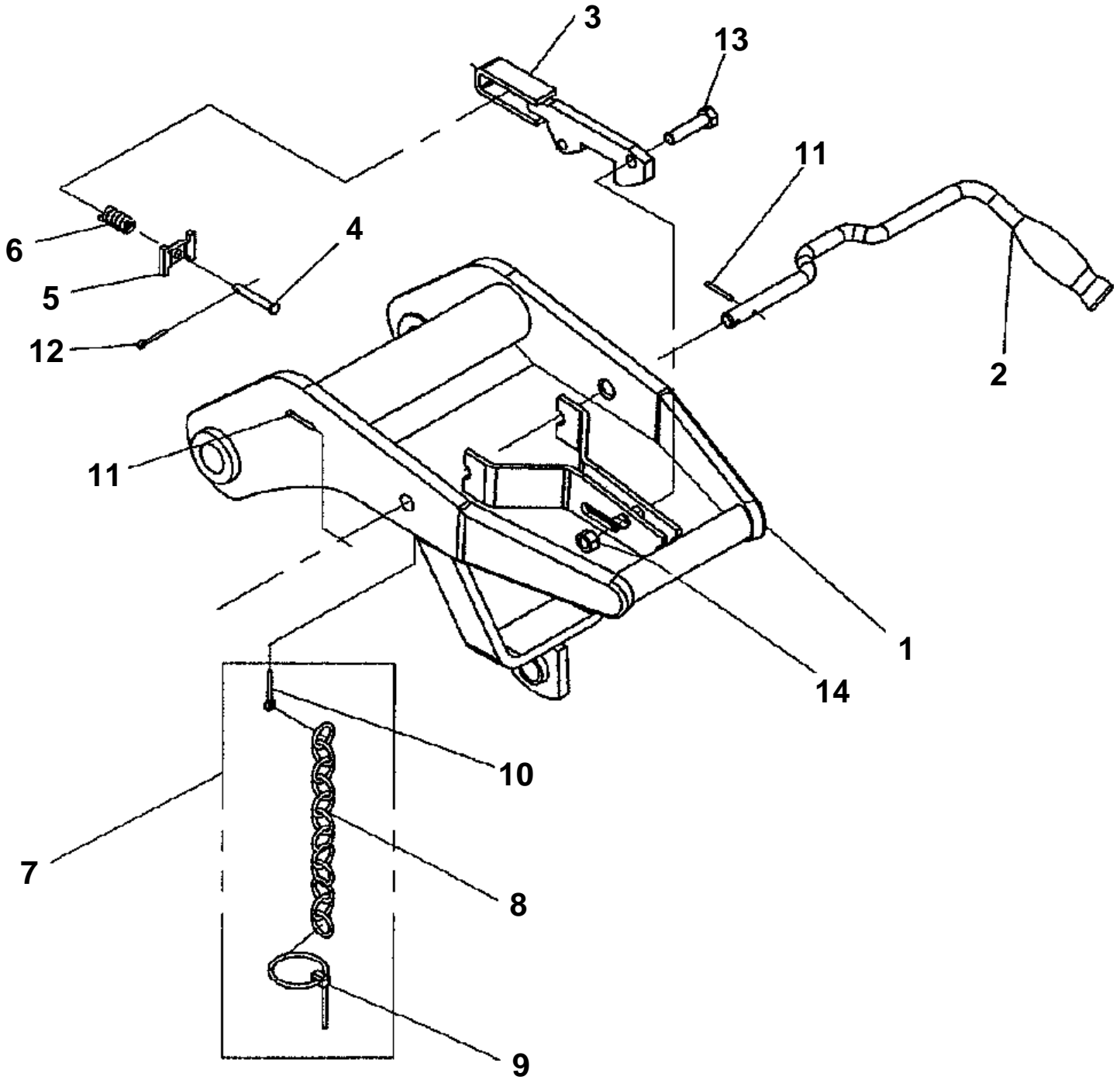


**SUBFRAME**

↔ Interchangeable; ≠ not interchangeable; ← new for old; → old for new

REF.No	Part No.	Description	Q'ty	S.No.	I/C	REMARKS	Weight (kgf)	Weight (lb)
1	70001-00767	SUBFRAME	1				0	0
2	70001-00760	PIN 3/4 X 8-5/8	1				0	0
3	70001-00761	PIN 9/16 X 8-7/16	1				0	0
4	70001-00768	MALE QUICK HITCH ASS	1				0	0
5	70060-01318	HANDLE GRIP	1				0	0
6	70060-04131	CYLINDER 2 X 5 INCHE	1				0	0
6A	70001-00795	ATTACHING PIN 3/4 X	2				0	0
6B	70000-74028	OBTAIN LOCALLY	2				0	0
6C	70060-04133	SEAL KIT	1				0	0
7	70001-00734	HYDRAULIC HOSE 1/4 X	2				0	0
8	70001-00769	PIVOT BUSHING	2				0	0
9	70060-01609	HOSE SUPPORT	1				0	0
10	70001-00763	T BOLT 1/2 NF X 3-1/	2				0	0
11	70001-00764	RETAINING STOPPER	2				0	0
12	70001-00765	NYLON DOWEL 3/16 X 9	2				0	0
13	70001-00599	ELBOW 90° 1/4 NTM X	2				0	0
14	70060-04310	QUICK COUPLER FEMALE	2				0	0
15	70060-01551	DUST PLUG	2				0	0
16	70060-01727	PLASTIC RING - BLUE	2				0	0
17	70060-01726	PLASTIC RING - RED	2				0	0
18	70000-74028	OBTAIN LOCALLY	2				0	0
19	70000-74028	OBTAIN LOCALLY	1				0	0
20	70000-74028	OBTAIN LOCALLY	1				0	0
21	70000-74028	OBTAIN LOCALLY	4				0	0
22	70000-74028	OBTAIN LOCALLY	1				0	0
23	70000-74028	OBTAIN LOCALLY	1				0	0
24	70000-74028	OBTAIN LOCALLY	2				0	0
25	70000-74028	OBTAIN LOCALLY	4				0	0
26	70000-74028	OBTAIN LOCALLY	2				0	0

MALE QUICK HITCH

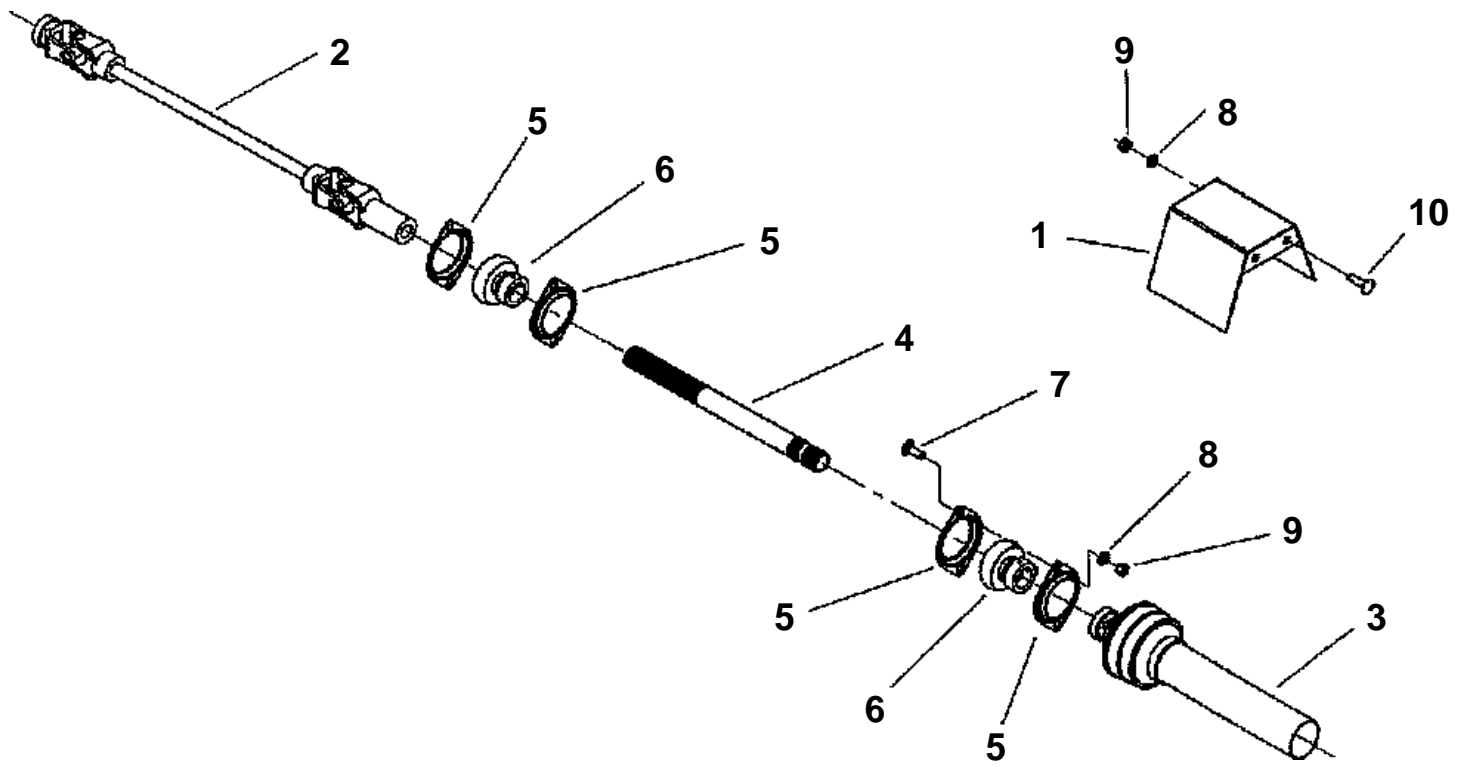




MALE QUICK HITCH

↔ Interchangeable; ≠ not interchangeable; ← new for old; → old for new

REF.No	Part No.	Description	Q'ty	S.No.	I/C	REMARKS	Weight (kgf)	Weight (lb)
1	70001-00770	MALE QUICK HITCH	1				0	0
2	70060-01405	ENGAGEMENT LEVER	1				0	0
3	70060-01401	QUICK HITCH LATCH	1				0	0
4	70060-01404	PIN 1/4 X 1-11/16	1				0	0
5	70060-01403	SPRING PLATE	1				0	0
6	70060-01462	QUICK HITCH SPRING	1				0	0
7	70060-01611	CHAIN & PIN ASSY	1				0	0
8	70060-01406	CHAIN & PIN ASSY	1				0	0
9	70000-74028	OBTAIN LOCALLY	1				0	0
10	70000-74028	OBTAIN LOCALLY	1				0	0
11	70000-74028	OBTAIN LOCALLY	2				0	0
12	70000-74028	OBTAIN LOCALLY	1				0	0
13	70000-74028	OBTAIN LOCALLY	1				0	0
14	70000-74028	OBTAIN LOCALLY	1				0	0





MID PTO KIT

↔ Interchangeable; ≠ not interchangeable; ← new for old; → old for new

REF.No	Part No.	Description	Q'ty	S.No.	I/C	REMARKS	Weight (kgf)	Weight (lb)
1	70001-00771	DRIVELINE GUARD	1				0	0
2	70001-00755	DRIVELINE	1				0	0
3	70060-03113	HALF DRIVELINE	1				0	0
4	70001-00772	OUTPUT SHAFT	1				0	0
5	70060-01243	BEARING FLANGE	4				0	0
6	70060-00925	BEARING W/LOCK COLLA	2				0	0
7	70000-74028	OBTAIN LOCALLY	4				0	0
8	70000-74028	OBTAIN LOCALLY	6				0	0
9	70000-74028	OBTAIN LOCALLY	6				0	0
10	70000-74028	OBTAIN LOCALLY	2				0	0