

# Instructions for Parts Books

The heading at the top of the page will be the same for the picture of the parts at it is for the page with the part numbers.

Definition of column headings on part number pages:

**REF.No** → The number referring to the part on the picture page of the parts book.

**Part No.** → The number assigned to this part at the time of printing the parts book.

**Description** → Discription of part.

**Q'ty** → Quantity of part used on that page.

**S.No.** → Serial number range of the equipment that this part will fit.

>= Your serial number should be greater than or equal to the number shown.

<= Your serial number should be lesser than or equal to the serial number shown.

**I/C** → Interchangeability of part shown.

↔ The part shown will work for the older and later serial number.

# The part shown is not interchangeable with the other serial number.

← new for old

→ old for new

**Remarks** → Notes about this particulart part. Sometimes this may say except [FR] or [CA]

## Note about Country Codes:

The parts books we use in the United States of America may also contain information about a part that would be different in another country. It is important that you are aware of the country codes in some instances.

Symbol	Country
A	United States of America
CA	Canada
FR	France
GR	Greece
PO	Portugal
AU	Australia

If the remarks column says for example EXCEPT [FR] this part works in all countries except France. That means it will work here in the USA.

# BX2537 Sweeper

Part No.		Book
01001	DECALS	100Z0237
01002	BROOM ASSEMBLY	100Z0237
01003	FEMALE DRIVELINE	100Z0237
01004	SIDE CASTERS	100Z0237

# ⚠ WARNING

**FAILURE TO FOLLOW SAFE OPERATING PROCEDURES MAY RESULT IN INJURY.**

- FOR SAFE OPERATION FOLLOW ALL OPERATING INSTRUCTIONS AND SAFETY PRECAUTIONS IN OPERATOR'S MANUAL.
- EYE PROTECTION MUST BE WORN AT ALL TIMES.
- KEEP HANDS, FEET AND CLOTHING AWAY FROM POWER DRIVEN PARTS.
- STOP ENGINE BEFORE LEAVING OPERATOR POSITION.
- WAIT FOR ALL MOVEMENTS TO STOP BEFORE STARTING TO ADJUST, LUBRICATE, CLEAN OR UNCLOG THE MACHINE.
- KEEP THE AREA OF OPERATION CLEAR OF ALL PERSONS AND ANIMALS.
- KEEP ALL GUARDS AND SHIELDS IN PLACE.
- NEVER DIRECT DISCHARGE TOWARD BYSTANDERS, BUILDINGS, CARS ETC.
- ALWAYS USE A DUST MASK WHEN WORKING IN DUSTY CONDITIONS.
- KEEP PLASTIC MATERIALS AWAY FROM INTENSE HEAT AND OPEN FLAME.
- NEVER ALLOW PASSENGERS ON THE ATTACHMENT.

229

1

70060-03763  
(660988)

## IMPORTANT

- TO AVOID DAMAGE TO THE SWEEPER, ALWAYS OPERATE SWEEPER WITH PIN IN UNLOCKED POSITION.
- USE LOCKED POSITION ONLY FOR ATTACHING OR DETACHING SWEEPER.

SEE OPERATOR'S MANUAL

210

2

70060-03897  
(660328)

## IMPORTANT

8h	20h	4h	8h	8h
----	-----	----	----	----

- GREASE ALL POINTS AS SHOWN (h = hours) IN DIAGRAM AND USE A "MOLY" LUBE
- THE CENTERING UNIT MUST BE GREASED EVERY 4 HOURS

182

3

70060-03076  
(658708)

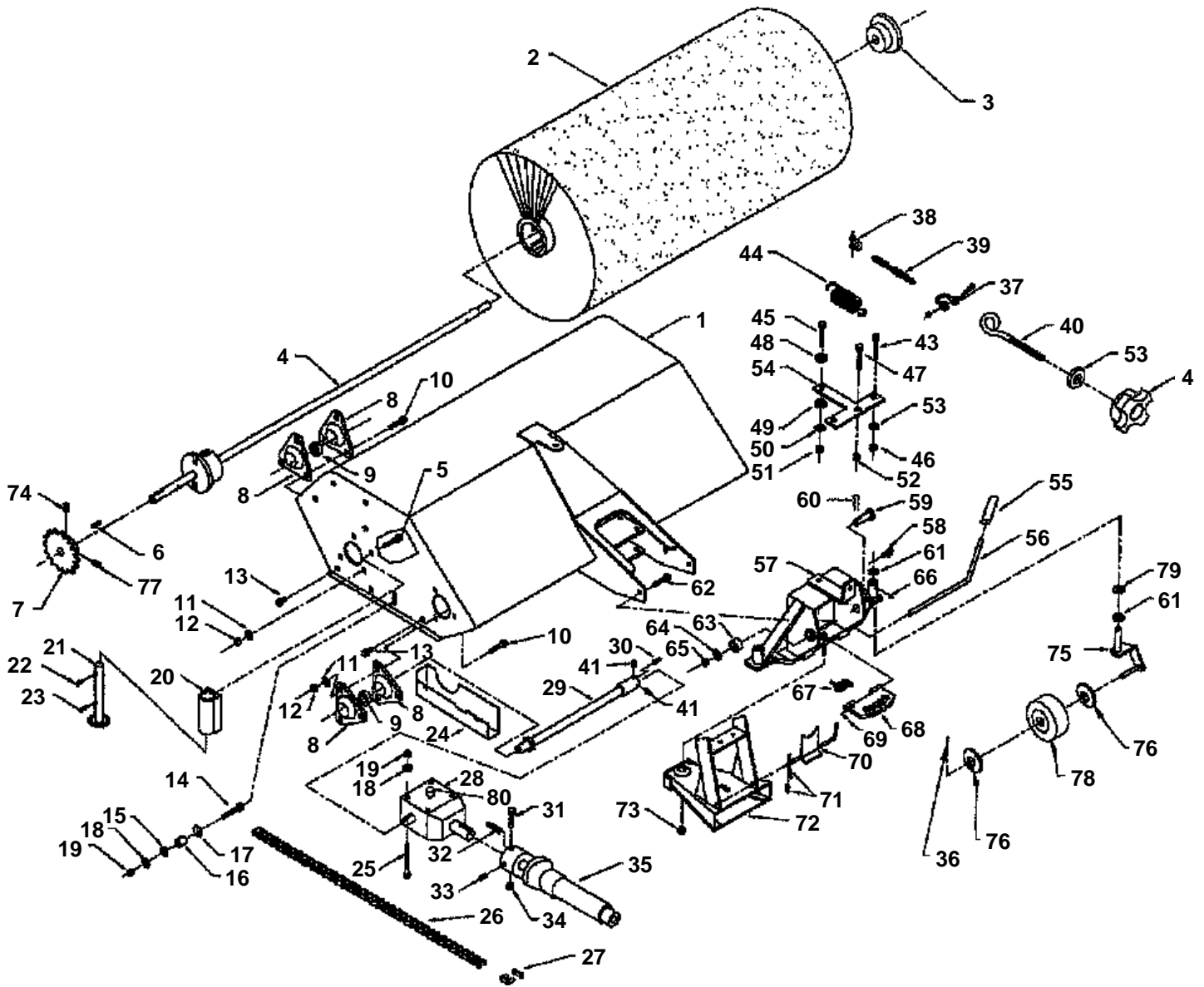


DECALS

↔ Interchangeable; ≠ not interchangeable; ← new for old; → old for new

REF.No	Part No.	Description	Q'ty	S.No.	I/C	REMARKS	Weight (kgf)	Weight (lb)
1	70060-03963	WARNING DECAL	1				0	0
2	70060-03897	IMPORTANT DECAL	1				0	0
3	70060-03076	IMPORTANT DECAL	1				0	0

# BROOM ASSEMBLY



**BROOM ASSEMBLY**

↔ Interchangeable; ≠ not interchangeable; ← new for old; → old for new

REF.No	Part No.	Description	Q'ty	S.No.	I/C	REMARKS	Weight (kgf)	Weight (lb)
1	70001-00711	HOUSING	1				0	0
2	70060-04000	BRUSH 50% STEEL/50%	1				0	0
2A	70060-04001	BRUSH 100% NYLON	1				0	0
3	70060-04002	BRUSH SUPPORT PLUG	1				0	0
4	70060-04003	BRUSH DRIVESHAFT	1				0	0
5	70000-74028	OBTAIN LOCALLY	4				0	0
6	70060-00928	KEY 1/4 SQUARE X 1	1				0	0
7	70060-03998	SPROCKET 40B36	1				0	0
8	70060-01426	BEARING FLANGE	6				0	0
9	70060-01425	BEARING W/SETScrew	3				0	0
10	70000-74028	OBTAIN LOCALLY	9				0	0
11	70000-74028	OBTAIN LOCALLY	9				0	0
12	70000-74028	OBTAIN LOCALLY	9				0	0
13	70000-74028	OBTAIN LOCALLY	2				0	0
14	70000-74028	OBTAIN LOCALLY	1				0	0
15	70000-74028	OBTAIN LOCALLY	2				0	0
16	70060-04004	IDLER BUSHING	1				0	0
17	70060-03848	IDLER PULLEY	1				0	0
18	70000-74028	OBTAIN LOCALLY	5				0	0
19	70000-74028	OBTAIN LOCALLY	5				0	0
20	70060-03287	STAND SUPPORT BRACKE	2				0	0
21	70060-03286	PARKING STAND	2				0	0
22	70000-74028	OBTAIN LOCALLY	2				0	0
23	70000-74028	OBTAIN LOCALLY	2				0	0
24	70060-03990	CHAIN GUARD	1				0	0
25	70000-74028	OBTAIN LOCALLY	4				0	0
26	70060-03991	CHAIN #40 W/CONNECTI	1				0	0
27	70060-01468	CONNECTING LINK #40	1				0	0
28	70001-00714	GEARBOX	1				0	0
28A	70060-04019	PLUG GAS & O-RING	1				0	0
29	70060-03996	CHAIN DRIVESHAFT	1				0	0
30	70060-00814	KEY 1/4 SQUARE X 1-1	1				0	0
31	70000-74028	OBTAIN LOCALLY	1				0	0
32	70060-00814	KEY 1/4 SQUARE X 1-1	1				0	0
33	70000-74028	OBTAIN LOCALLY	1				0	0
34	70000-74028	OBTAIN LOCALLY	1				0	0
35	70001-00715	DRIVELINE FEMALE HAL	1				0	0
36	70000-74028	OBTAIN LOCALLY	2				0	0
37	70060-04286	CLEVIS ASSY	1				0	0
38	70060-03283	CLEVIS ASSY	1				0	0
39	70060-03989	CHAIN 15 INCHES	1				0	0
40	70001-00716	EYEBOLT	1				0	0
41	70000-74028	OBTAIN LOCALLY	2				0	0
42	70060-01419	KNOB PLASTIC	1				0	0
43	70000-74028	OBTAIN LOCALLY	2				0	0
44	70060-03285	TENSION SPRING	1				0	0
45	70000-74028	OBTAIN LOCALLY	1				0	0
46	70000-74028	OBTAIN LOCALLY	2				0	0
47	70000-74028	OBTAIN LOCALLY	1				0	0
48	70060-03278	UPPER BUSHING	1				0	0
49	70000-74028	OBTAIN LOCALLY	1				0	0
50	70000-74028	OBTAIN LOCALLY	1				0	0
51	70000-74028	OBTAIN LOCALLY	1				0	0
52	70000-74028	OBTAIN LOCALLY	1				0	0
53	70000-74028	OBTAIN LOCALLY	2				0	0
54	70060-03929	UPPER COUPLER	1				0	0
55	70060-01318	PLASTIC GRIP	1				0	0
56	70060-04274	ADJUSTMENT HANDLE	1				0	0
57	70001-00698	PIVOT BRACKET	1				0	0

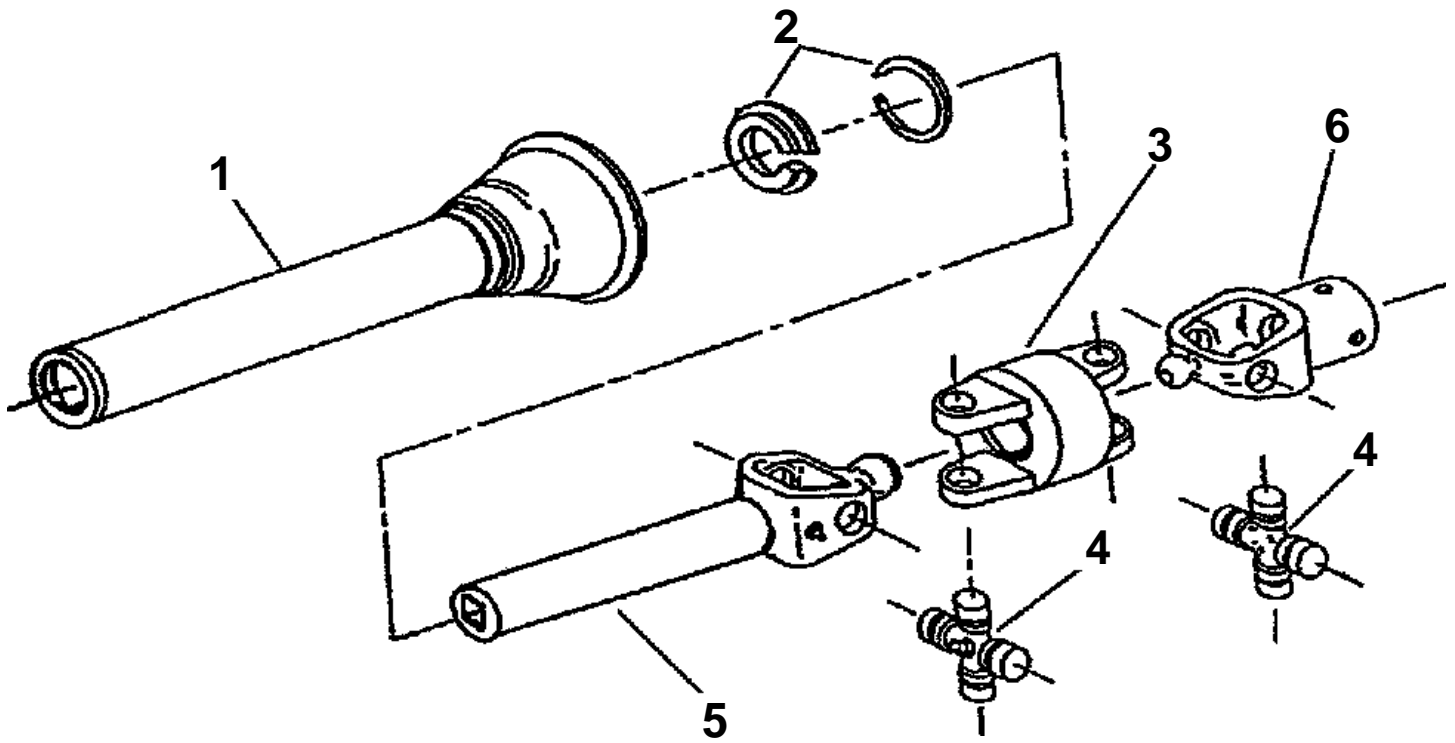


# BROOM ASSEMBLY

↔ Interchangeable; ≠ not interchangeable; ← new for old; → old for new

REF.No	Part No.	Description	Q'ty	S.No.	I/C	REMARKS	Weight (kgf)	Weight (lb)
58	70000-74028	OBTAIN LOCALLY	2				0	0
59	70060-03263	STOPPER PIN	1				0	0
60	70000-74028	OBTAIN LOCALLY	1				0	0
61	70060-01644	NYLON FLATWASHER	4				0	0
62	70000-74028	OBTAIN LOCALLY	2				0	0
63	70060-03273	PIVOT BUSHING	2				0	0
64	70000-74028	OBTAIN LOCALLY	2				0	0
65	70000-74028	OBTAIN LOCALLY	2				0	0
66	70060-00940	GREASE FITTING	2				0	0
66A	70060-01627	GREASE FITTING 90o	2				0	0
67	70060-01649	TORSION SPRING	1				0	0
68	70060-03468	ADJUSTMENT PLATE	1				0	0
69	70000-74028	OBTAIN LOCALLY	1				0	0
70	70060-03282	DRIVELINE SUPPORT	1				0	0
71	70000-74028	OBTAIN LOCALLY	2				0	0
72	70060-04006	FEMALE HITCH	1				0	0
73	70000-74028	OBTAIN LOCALLY	1				0	0
74	70000-74028	OBTAIN LOCALLY	1				0	0
75	70001-00699	RIGHT WHEEL BRACKET	1				0	0
75A	70001-00700	LEFT WHEEL BRACKET	1				0	0
76	70000-74028	OBTAIN LOCALLY	4				0	0
77	70000-74028	OBTAIN LOCALLY	1				0	0
78	70001-00697	PLASTIC WHEEL	2				0	0
79	70000-74028	OBTAIN LOCALLY	1				0	0
80	70060-04021	OIL FILLER PLUG	1				0	0

FEMALE DRIVELINE



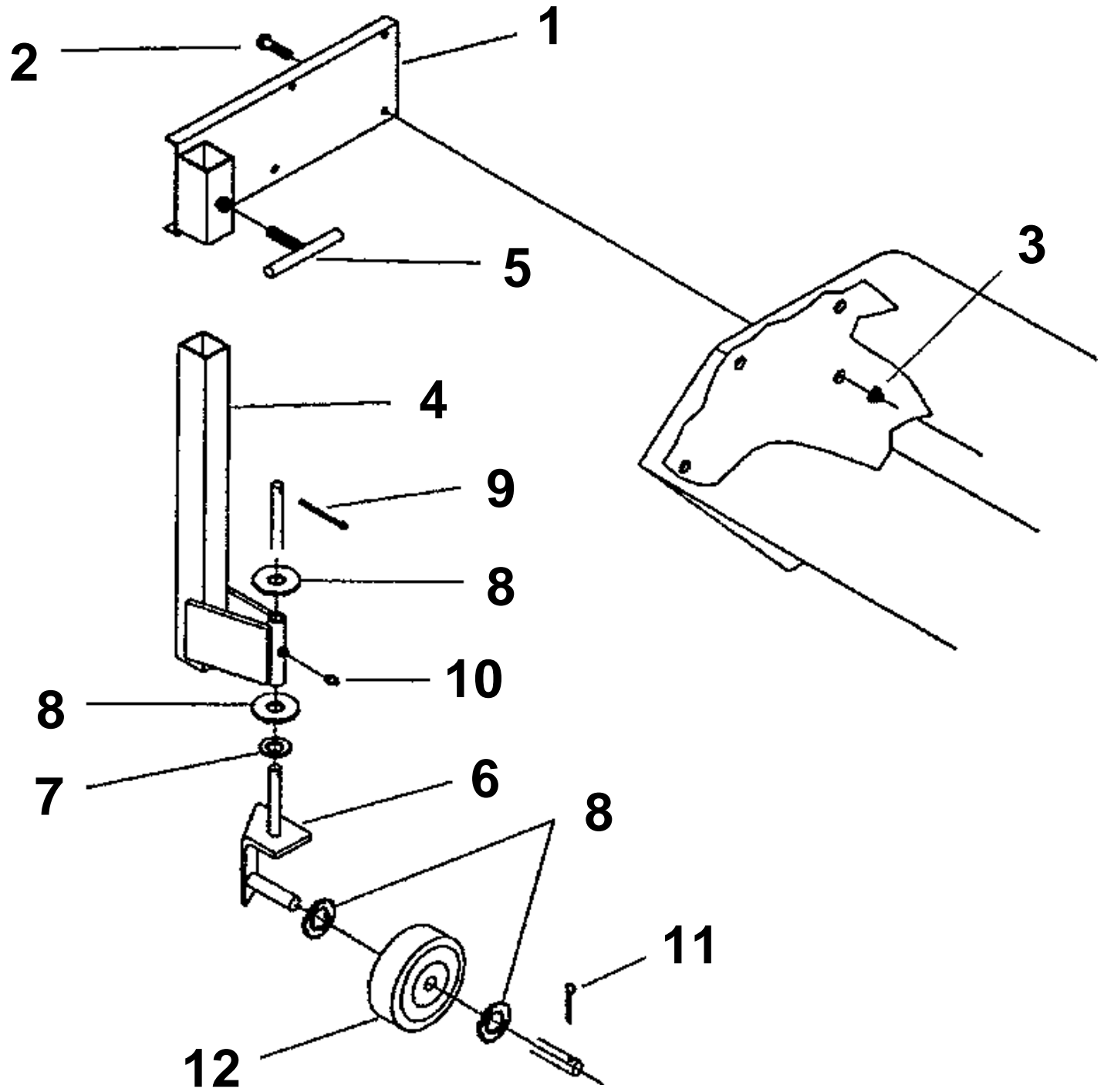




# FEMALE DRIVELINE

↔ Interchangeable; ≠ not interchangeable; ← new for old; → old for new

REF.No	Part No.	Description	Q'ty	S.No.	I/C	REMARKS	Weight (kgf)	Weight (lb)
1	70001-00799	INNER GUARD	1				0	0
2	70060-04238	NYLON REPAIR KIT	1				0	0
3	70060-01670	C.V. CENTER HOUSING	1				0	0
4	70060-01020	CROSS & BEARING KIT	2				0	0
5	70001-00800	YOKE TUBE & SLIP SLE	1				0	0
6	70060-03335	YOKE TUBE & SLIP SLE	1				0	0
6A	70001-00787	CAT. 1 C.V. REPAIR K	1				0	0





## SIDE CASTERS

↔ Interchangeable; ≠ not interchangeable; ← new for old; → old for new

REF.No	Part No.	Description	Q'ty	S.No.	I/C	REMARKS	Weight (kgf)	Weight (lb)
1	70001-00719	RIGHT BRACKET	1				0	0
1A	70001-00720	LEFT BRACKET	1				0	0
2	70000-74028	OBTAIN LOCALLY	8				0	0
3	70000-74028	OBTAIN LOCALLY	8				0	0
4	70001-00721	SUPPORT	2				0	0
5	70001-00722	LOCKING SCREW	2				0	0
6	70001-00699	WHEEL BRACKET RH	1				0	0
6A	70001-00700	WHEEL BRACKET LH	1				0	0
7	70060-01644	NYLON RING	2				0	0
8	70000-74028	OBTAIN LOCALLY	8				0	0
9	70000-74028	OBTAIN LOCALLY	2				0	0
10	70060-00940	GREASE FITTING	2				0	0
11	70000-74028	OBTAIN LOCALLY	2				0	0
12	70001-00697	WHEEL	2				0	0