

Instructions for Parts Books

The heading at the top of the page will be the same for the picture of the parts as it is for the page with the part numbers.

Definition of column headings on part number pages:

REF.No → The number referring to the part on the picture page of the parts book.

Part No. → The number assigned to this part at the time of printing the parts book.

Description → Description of part.

Q'ty → Quantity of part used on that page.

S.No. → Serial number range of the equipment that this part will fit.

>= Your serial number should be greater than or equal to the number shown.

<= Your serial number should be lesser than or equal to the serial number shown.

I/C → Interchangeability of part shown.

↔ The part shown will work for the older and later serial number.

The part shown is not interchangeable with the other serial number.

← new for old

→ old for new

Remarks → Notes about this particular part. Sometimes this may say except [FR] or [CA]

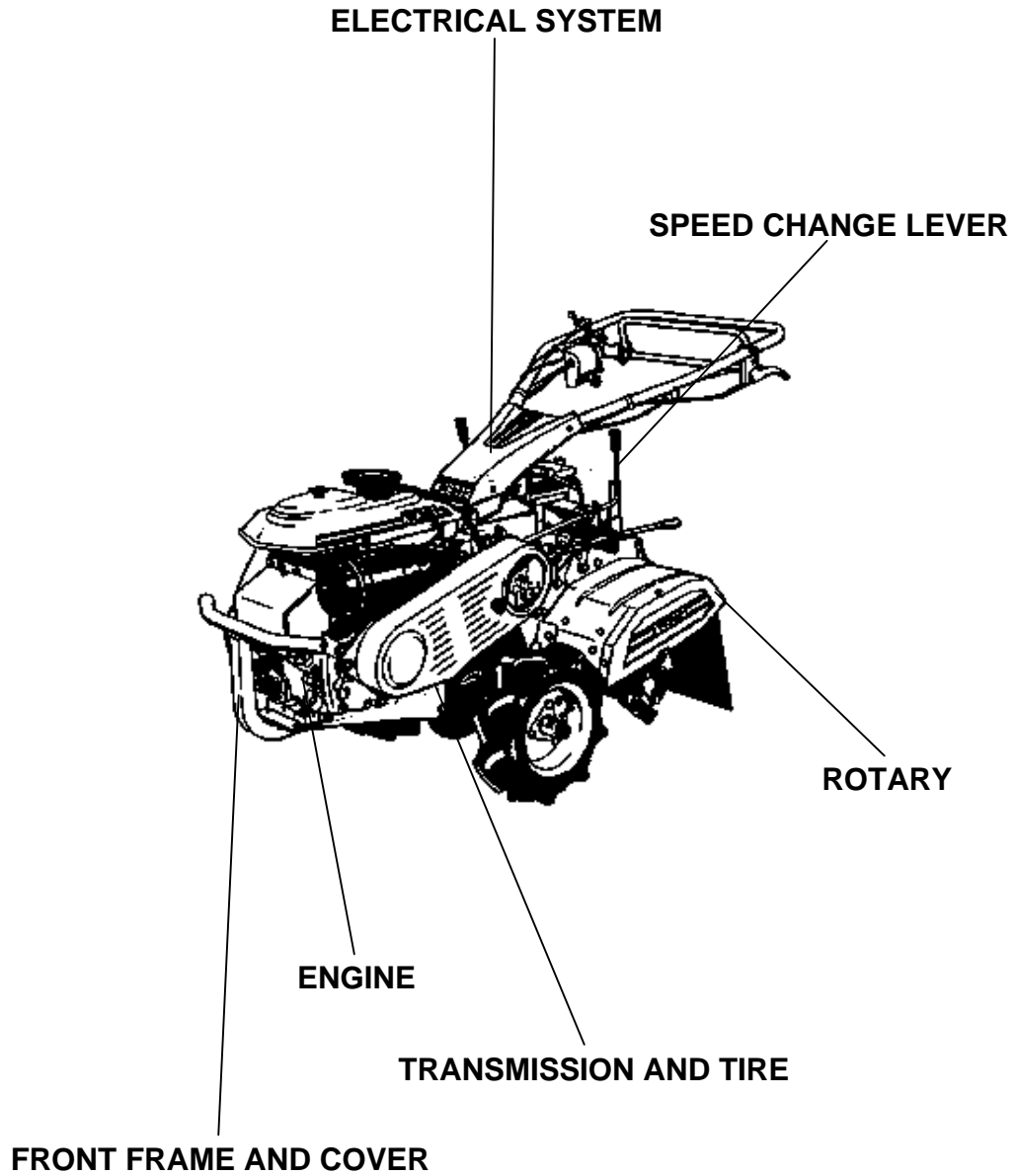
Note about Country Codes:

The parts books we use in the United States of America may also contain information about a part that would be different in another country. It is important that you are aware of the country codes in some instances.

| Symbol | Country |
|--------|--------------------------|
| A | United States of America |
| CA | Canada |
| FR | France |
| GR | Greece |
| PO | Portugal |
| AU | Australia |

If the remarks column says for example EXCEPT [FR] this part works in all countries except France. That means it will work here in the USA.

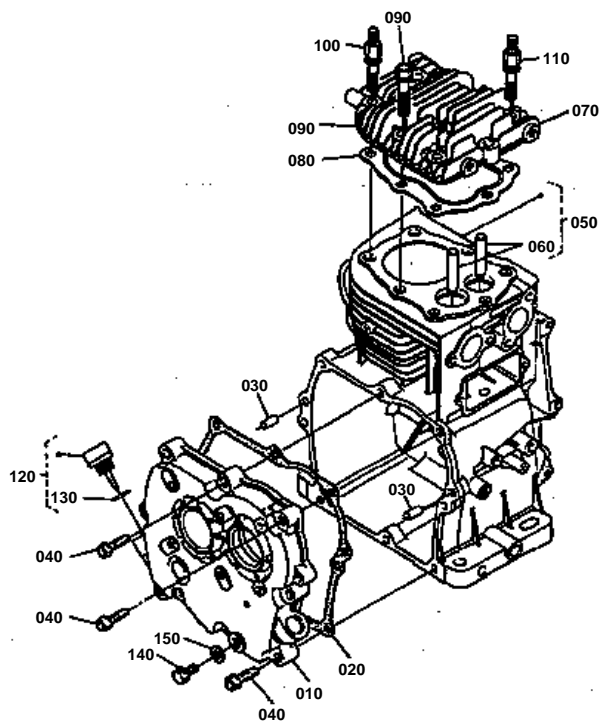
ALL PRODUCT INDEX
AT70S-AMERICA



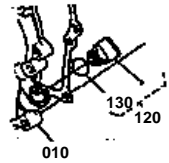
LABELS
OPTION PARTS
ACCESSORIES

| Item | Part No. | Description | Book |
|----------------------------|----------|-------------------------------|----------|
| ENGINE | 01K001 | CYLINDER | 100K0378 |
| | 01K002 | BREATHER | 100K0378 |
| | 01K003 | AIR CLEANER | 100K0378 |
| | 01K004 | MUFFLER | 100K0378 |
| | 01K005 | CAMSHAFT | 100K0378 |
| | 01K006 | PISTON AND CRANKSHAFT | 100K0378 |
| | 01K007 | GOVERNOR LEVER | 100K0378 |
| | 01K008 | RECOIL STARTER | 100K0378 |
| | 01K009 | MAGNETO | 100K0378 |
| | 01K010 | CARBURETTOR [COMPONENT PARTS] | 100K0378 |
| TRANSMISSION AND TIRE | 01K012 | TRANSMISSION CASE | 100K0378 |
| | 01K013 | GEAR | 100K0378 |
| | 01K014 | TENSION PULLEY | 100K0378 |
| | 01K015 | AXLE | 100K0378 |
| | 01K016 | TIRE | 100K0378 |
| | 01K017 | SHIFT FORK | 100K0378 |
| | 01K018 | CHAIN CASE | 100K0378 |
| | 01K019 | ROTARY CASE | 100K0378 |
| ROTARY | 01K020 | TILLAGE DRIVE SHAFT | 100K0378 |
| | 01K021 | TINE SHAFT | 100K0378 |
| | 01K022 | ROTATY COVER | 100K0378 |
| | 01K023 | SIDE COVER | 100K0378 |
| SPEED CHANGE LEVER | 01K024 | TINE CHANGE LEVER | 100K0378 |
| | 01K025 | HANDLE | 100K0378 |
| | 01K026 | CHANGE LEVER 1 | 100K0378 |
| | 01K027 | CHANGE LEVER 2 | 100K0378 |
| LABELS | 01K028 | LABEL | 100K0378 |
| FRONT FRAME AND COVER | 01K029 | FRONT FRAME | 100K0378 |
| | 01K030 | BELT COVER | 100K0378 |
| | 01K031 | FUEL TANK | 100K0378 |
| OPTION PARTS ACCESSRIES | 01K032 | FURROWER [B TYPE] | 100K0378 |
| | 01K035 | OPTION PARTS | 100K0378 |
| | 01K036 | ACCESSORIES AND SERVICE PARTS | 100K0378 |

CYLINDER



010 13382-0105-2
120 13961-3308-0
130 04811-00180



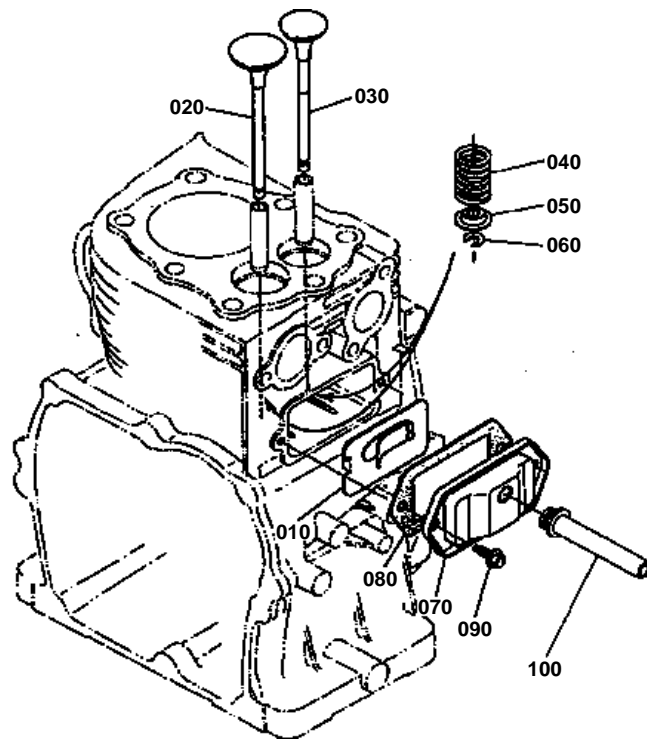


CYLINDER

↔ Interchangeable; ≠ not interchangeable; ← new for old; → old for new

| REF.No | Part No. | Description | Q'ty | S.No. | I/C | REMARKS | Weight (kgf) | Weight (lb) |
|--------|-------------|----------------------|------|----------|-----|---------|--------------|-------------|
| 010 | 13382-01052 | ASSY CRANKCASE | 1 | <=552261 | | | 1.06 | 2.332 |
| 010 | 13382-01053 | ASSY CRANKCASE | 1 | >=552262 | ≠ | | 1 | 2.2 |
| 020 | 13961-01180 | GASKET,CRANKCASE | 1 | | | | 0 | 0 |
| 030 | 13325-94510 | PIN,STRAIGHT | 2 | | | | 0.009 | 0.0198 |
| 040 | 13921-91120 | BOLT | 8 | | | | 0.02 | 0.044 |
| 050 | 13418-02110 | COMP.CYLINDER | 1 | <=552836 | | | 6.8 | 14.96 |
| 050 | 13418-02112 | COMP.CYLINDER | 1 | >=552837 | ≠ | | 6.8 | 14.96 |
| 060 | 13961-13950 | GUIDE,INLET VALVE | 2 | | | | 0.02 | 0.044 |
| 070 | 13425-03110 | CYLINDER HEAD | 1 | | | | 0.71 | 1.562 |
| 080 | 13961-03310 | GASKET,CYLINDER HEAD | 1 | | | | 0 | 0 |
| 090 | 13961-03450 | BOLT,CYLINDER HEAD | 3 | | | | 0.035 | 0.077 |
| 100 | 13382-03460 | BOLT,CYLINDER HEAD | 2 | | | | 0.055 | 0.121 |
| 110 | 13181-03462 | BOLT,CYLINDER HEAD | 2 | | | | 0.073 | 0.1606 |
| 120 | 13961-33080 | ASSY PLUG,OIL FILLER | 2 | <=552261 | | | 0.013 | 0.0286 |
| 120 | 13961-33080 | ASSY PLUG,OIL FILLER | 1 | >=552262 | | | 0.013 | 0.0286 |
| 130 | 04811-00180 | O RING | 2 | <=552261 | | | 0.001 | 0.0022 |
| 130 | 04811-00180 | O RING | 1 | >=552262 | | | 0.001 | 0.0022 |
| 140 | 13901-33750 | PLUG,DRAIN | 1 | | | | 0.03 | 0.066 |
| 150 | 04724-00120 | GASKET | 1 | | | | 0.002 | 0.0044 |

BREATHER

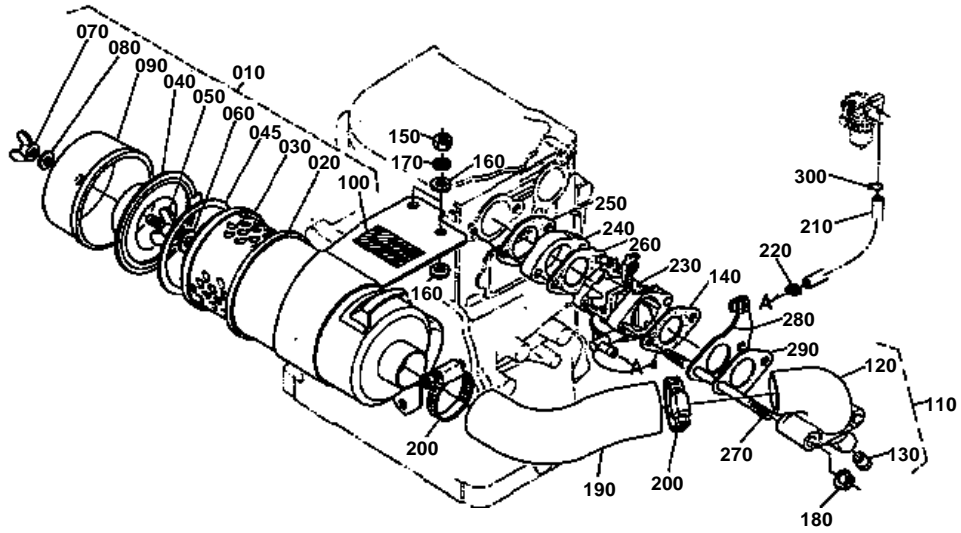


**BREATHER**

↔ Interchangeable; ≠ not interchangeable; ← new for old; → old for new

| REF.No | Part No. | Description | Q'ty | S.No. | I/C | REMARKS | Weight (kgf) | Weight (lb) |
|--------|-------------|----------------------|------|----------|-----|---------|--------------|-------------|
| 010 | 13961-05013 | COMP.BREATHER | 1 | | | | 0.05 | 0.11 |
| 020 | 13961-13110 | VALVE,INLET | 1 | | | | 0.05 | 0.11 |
| 030 | 13961-13910 | VALVE,EXHAUST-EXPORT | 1 | <=552266 | | | 0 | 0 |
| 030 | 12451-13910 | VALVE,EXHAUST-EXPORT | 1 | >=552267 | ≠ | | 0.06 | 0.132 |
| 040 | 13641-13240 | SPRING,VALVE | 2 | | | | 0.023 | 0.0506 |
| 050 | 13641-13330 | RETAINER,VALVE SP. | 2 | | | | 0.006 | 0.0132 |
| 060 | 13268-13450 | COLLET,VALVE SPRING | 2 | | | | 0.001 | 0.0022 |
| 070 | 12401-13810 | COVER,TAPPET CASE | 1 | | | | 0.042 | 0.0924 |
| 080 | 13961-13820 | GASKET | 1 | <=552386 | | | 0 | 0 |
| 080 | 12401-13820 | GASKET | 1 | >=552387 | ↔ | | 0 | 0 |
| 090 | 13801-91130 | BOLT | 2 | <=552836 | | | 0.005 | 0.011 |
| 090 | 13901-91020 | BOLT | 2 | >=552837 | ≠ | | 0.005 | 0.011 |
| 100 | 13381-05510 | PIPE,BREATHER | 1 | | | | 0.01 | 0.022 |

AIR CLEANER

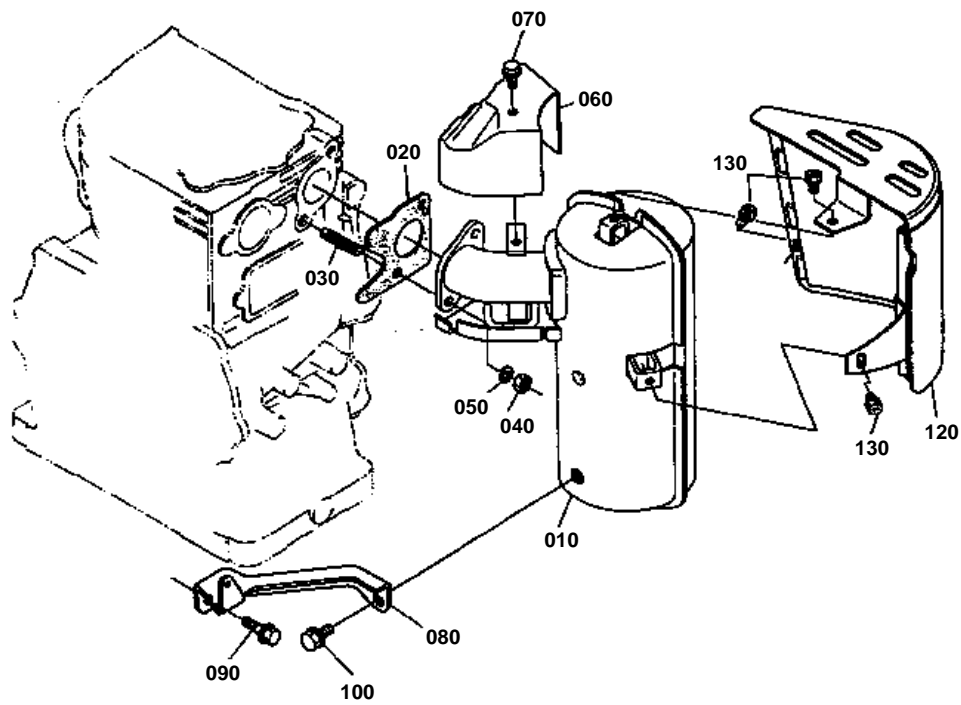


**AIR CLEANER**

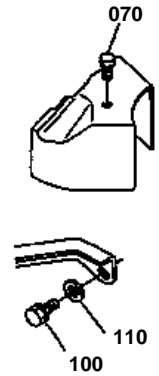
↔ Interchangeable; ≠ not interchangeable; ← new for old; → old for new

| REF.No | Part No. | Description | Q'ty | S.No. | I/C | REMARKS | Weight (kgf) | Weight (lb) |
|--------|-------------|---------------------|------|---------|-----|---------|--------------|-------------|
| 010 | 13415-11013 | ASSY CLEANER,AIR | 1 | | | | 0 | 0 |
| 020 | 13382-11154 | BODY,AIR CLEANER | 1 | | | | 0.94 | 2.068 |
| 030 | 13415-11080 | ASSY ELEMENT | 1 | | | | 0.277 | 0.6094 |
| 040 | 13415-11412 | COVER,BAFFLE | 1 | | | | 0.05 | 0.11 |
| 045 | 13382-11300 | GASKET | 1 | | | | 0.002 | 0.0044 |
| 050 | 02810-50080 | NUT,WING | 1 | | | | 0.014 | 0.0308 |
| 060 | 15221-94430 | WASHER,WITH RUBBER | 1 | | | | 0.004 | 0.0088 |
| 070 | 02810-50060 | NUT,WING | 1 | | | | 0.009 | 0.0198 |
| 080 | 04013-50060 | WASHER,PLAIN | 1 | | | | 0 | 0 |
| 090 | 13382-11163 | COVER,AIR CLEANER | 1 | | | | 0.11 | 0.242 |
| 100 | 13415-88452 | LABEL,AIR CLEANER | 1 | | | | 0.001 | 0.0022 |
| 110 | 13382-11810 | COMP ELBOW,A/C | 1 | | | | 0.156 | 0.3432 |
| 120 | 13382-11610 | FLANGE,AIR CLEANER | 1 | | | | 0.14 | 0.308 |
| 130 | 13242-05550 | JOINT | 1 | | | | 0.02 | 0.044 |
| 140 | 13961-11510 | GASKET,AIR CLEANER | 1 | | | | 0 | 0 |
| 150 | 02114-50080 | NUT | 2 | | | | 0.005 | 0.011 |
| 160 | 04013-50080 | WASHER,PLAIN | 4 | | | | 0 | 0 |
| 170 | 04512-50080 | WASHER,SPRING | 2 | | | | 0 | 0 |
| 180 | 13961-92010 | NUT | 2 | | | | 0.005 | 0.011 |
| 190 | 13382-11620 | PIPE,INLET | 1 | | | | 0.14 | 0.308 |
| 200 | 13382-72860 | BAND | 2 | | | | 0.03 | 0.066 |
| 210 | 13951-42180 | PIPE,FUEL | 1 | | | | 0.01 | 0.022 |
| 220 | 13621-42360 | CLIP,FUEL PIPE | 1 | | | | 0 | 0 |
| 230 | 13415-44013 | ASSY CARBURETTOR | 1 | ≤551979 | | | 0 | 0 |
| 230 | 13415-44014 | ASSY CARBURETTOR | 1 | ≥551980 | ← | | 0 | 0 |
| 230 | 13415-44015 | ASSY CARBURETTOR | 1 | ≥552262 | ← | | 0 | 0 |
| 230 | 13415-44016 | ASSY CARBURETTOR | 1 | ≥552267 | ← | | 0.23 | 0.506 |
| 240 | 13961-46150 | FLANGE,CARBURETTOR | 1 | | | | 0.015 | 0.033 |
| 250 | 13961-46160 | PACKING,CARB.FLANGE | 1 | | | | 0 | 0 |
| 260 | 13961-46110 | GASKET,CARBURETTOR | 1 | | | | 0 | 0 |
| 270 | 13381-91520 | STUD | 2 | | | | 0.048 | 0.1056 |
| 300 | 62411-54730 | CLIP,PIPE | 1 | | | | 0.005 | 0.011 |

MUFFLER



- 070 01202-50610
- 100 01123-50814
- 110 04012-50080

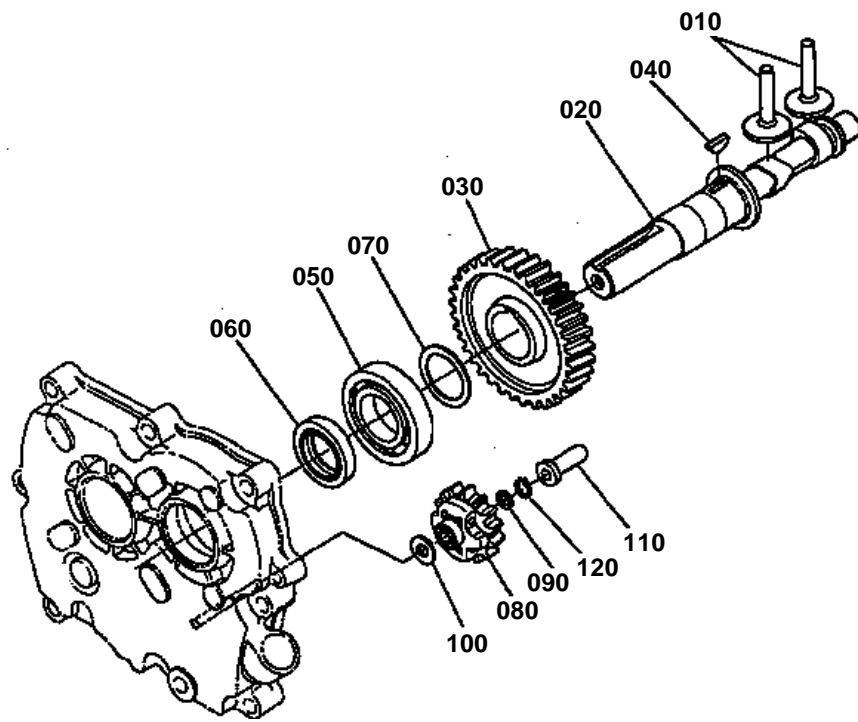


**MUFFLER**

↔ Interchangeable; ≠ not interchangeable; ← new for old; → old for new

| REF.No | Part No. | Description | Q'ty | S.No. | I/C | REMARKS | Weight (kgf) | Weight (lb) |
|--------|-------------|----------------------|------|---------|-----|---------|--------------|-------------|
| 010 | 13423-12122 | COMP.MUFFLER | 1 | | | | 1.3 | 2.86 |
| 020 | 13961-12230 | GASKET,MUFFLER | 1 | | | | 0 | 0 |
| 030 | 13961-91510 | STUD | 2 | | | | 0 | 0 |
| 040 | 02114-50080 | NUT | 2 | | | | 0.005 | 0.011 |
| 050 | 04512-50080 | WASHER,SPRING | 2 | | | | 0 | 0 |
| 060 | 13961-12720 | COVER,MUFFLER FLANGE | 1 | ≤554878 | | | 0.075 | 0.165 |
| 060 | 12451-12720 | COVER,MUFFLER FLANGE | 1 | ≥554879 | ← | | 0.075 | 0.165 |
| 070 | 01202-50610 | BOLT | 1 | ≤553256 | | | 0.004 | 0.0088 |
| 070 | 12121-91150 | BOLT,FLANGE | 1 | ≥553257 | ← | | 0 | 0 |
| 080 | 13961-12510 | STAY,MUFFLER | 1 | | | | 0.075 | 0.165 |
| 090 | 13185-91130 | BOLT | 1 | | | | 0.01 | 0.022 |
| 100 | 01123-50814 | BOLT | 1 | ≤554523 | | | 0 | 0 |
| 100 | 01754-50812 | BOLT,FLANGE | 1 | ≥554524 | ≠ | | 0.01 | 0.022 |
| 110 | 04012-50080 | WASHER,PLAIN | 1 | ≤554523 | | | 0.001 | 0.0022 |
| 120 | 13415-12470 | COVER | 1 | ≤554878 | | | 0 | 0 |
| 120 | 13415-12473 | COVER | 1 | ≥554879 | ← | | 0.45 | 0.99 |
| 130 | 01202-50610 | BOLT | 3 | | | | 0.004 | 0.0088 |

CAMSHAFT

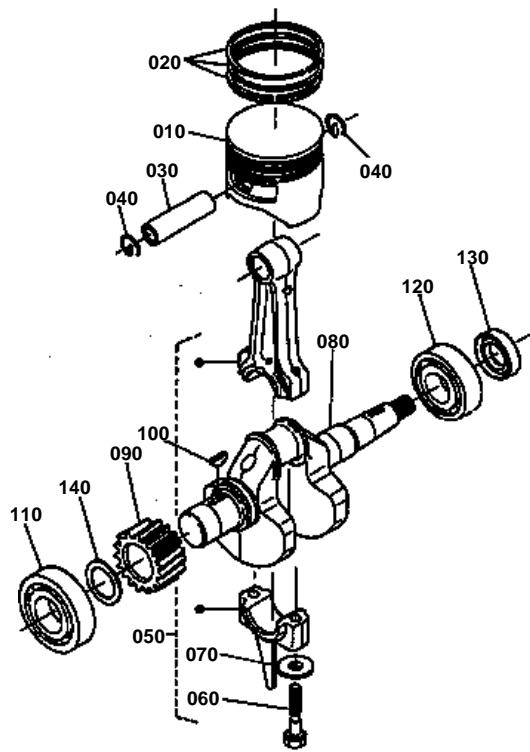




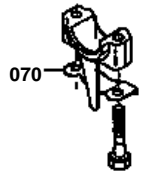
CAMSHAFT

↔ Interchangeable; ≠ not interchangeable; ← new for old; → old for new

| REF.No | Part No. | Description | Q'ty | S.No. | I/C | REMARKS | Weight (kgf) | Weight (lb) |
|--------|-------------|--------------------|------|-------|-----|---------|--------------|-------------|
| 010 | 13961-15550 | TAPPET | 2 | | | | 0.025 | 0.055 |
| 020 | 13961-16152 | CAMSHAFT | 1 | | | | 0.88 | 1.936 |
| 030 | 13961-16510 | GEAR,CAMSHAFT | 1 | | | | 0.75 | 1.65 |
| 040 | 05811-00416 | KEY,WOODRUFF | 1 | | | | 0.002 | 0.0044 |
| 050 | 08103-06206 | BEARING,BALL | 1 | | | | 0.2 | 0.44 |
| 060 | 13961-16640 | SEAL,OIL | 1 | | | | 0.01 | 0.022 |
| 070 | 13641-23680 | SHIM | 1 | | | 0.20MM | 0.002 | 0.0044 |
| 070 | 13641-16550 | SHIM | 1 | | | 0.25MM | 0.001 | 0.0022 |
| 070 | 13641-23620 | SHIM | 1 | | | 0.30MM | 0.001 | 0.0022 |
| 070 | 13641-16560 | SHIM | 1 | | | 0.35MM | 0.002 | 0.0044 |
| 070 | 13641-23630 | SHIM | 1 | | | 0.40MM | 0.002 | 0.0044 |
| 080 | 13961-55290 | COMP GEAR,GOVERNOR | 1 | | | | 0.033 | 0.0726 |
| 090 | 13641-55333 | WASHER | 1 | | | | 0.001 | 0.0022 |
| 100 | 13641-55342 | WASHER | 1 | | | | 0.002 | 0.0044 |
| 110 | 13961-55450 | SLEEVE,GOVERNOR | 1 | | | | 0.002 | 0.0044 |
| 120 | 13641-55363 | STOPPER | 1 | | | | 0.001 | 0.0022 |



070 13961-2217-0



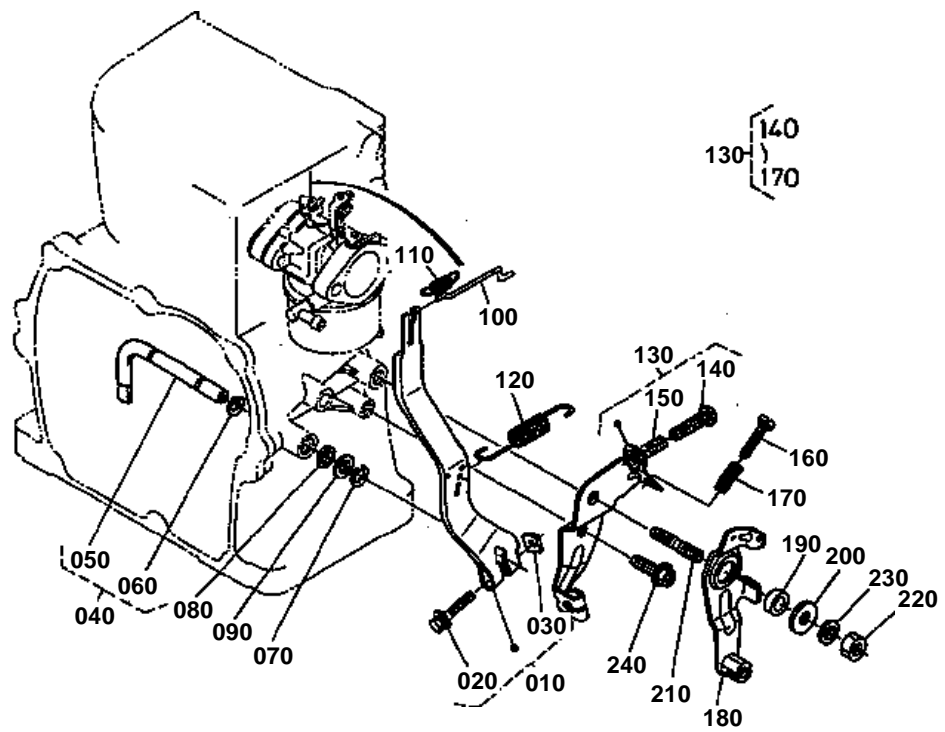


PISTON AND CRANKSHAFT

↔ Interchangeable; ≠ not interchangeable; ← new for old; → old for new

| REF.No | Part No. | Description | Q'ty | S.No. | I/C | REMARKS | Weight (kgf) | Weight (lb) |
|--------|-------------|---------------------|------|---------|-----|---------|--------------|-------------|
| 010 | 13961-21110 | PISTON | 1 | | | | 0.21 | 0.462 |
| 020 | 13961-21050 | ASSY PISTON RING | 1 | | | | 0.03 | 0.066 |
| 030 | 13961-21310 | PIN,PISTON | 1 | | | | 0.065 | 0.143 |
| 040 | 13961-21330 | CIR-CLIP,INTERNAL | 2 | | | | 0.001 | 0.0022 |
| 050 | 13961-22010 | ASSY CONNECTING ROD | 1 | | | STD | 0.09 | 0.198 |
| 050 | 13961-22000 | CON/ROD,SERVICE SET | 1 | | | +0.25MM | 0.224 | 0.4928 |
| 050 | 13961-22020 | CON/ROD,SERVICE SET | 1 | | | +0.50MM | 0.23 | 0.506 |
| 060 | 13961-22140 | BOLT,CONNECTING ROD | 2 | | | | 0.02 | 0.044 |
| 070 | 13961-22170 | WASHER,ROD BOLT | 1 | ≤552261 | | | 0.01 | 0.022 |
| 070 | 12181-22170 | WASHER,ROD BOLT | 2 | ≥552262 | ≠ | | 0.002 | 0.0044 |
| 080 | 13961-23110 | CRANKSHAFT | 1 | | | | 2.23 | 4.906 |
| 090 | 13961-24110 | GEAR,CRANKSHAFT | 1 | | | | 0.245 | 0.539 |
| 100 | 05811-00416 | KEY,WOODRUFF | 1 | | | | 0.002 | 0.0044 |
| 110 | 08103-06206 | BEARING,BALL | 1 | | | | 0.2 | 0.44 |
| 120 | 08103-06305 | BEARING,BALL | 1 | | | | 0.22 | 0.484 |
| 130 | 13961-23640 | SEAL,OIL | 1 | | | | 0 | 0 |
| 140 | 13641-23680 | SHIM | 1 | | | 0.20MM | 0.002 | 0.0044 |
| 140 | 13641-16550 | SHIM | 1 | | | 0.25MM | 0.001 | 0.0022 |
| 140 | 13641-23620 | SHIM | 1 | | | 0.30MM | 0.001 | 0.0022 |
| 140 | 13641-16560 | SHIM | 1 | | | 0.35MM | 0.002 | 0.0044 |
| 140 | 13641-23630 | SHIM | 1 | | | 0.40MM | 0.002 | 0.0044 |

GOVERNOR LEVER



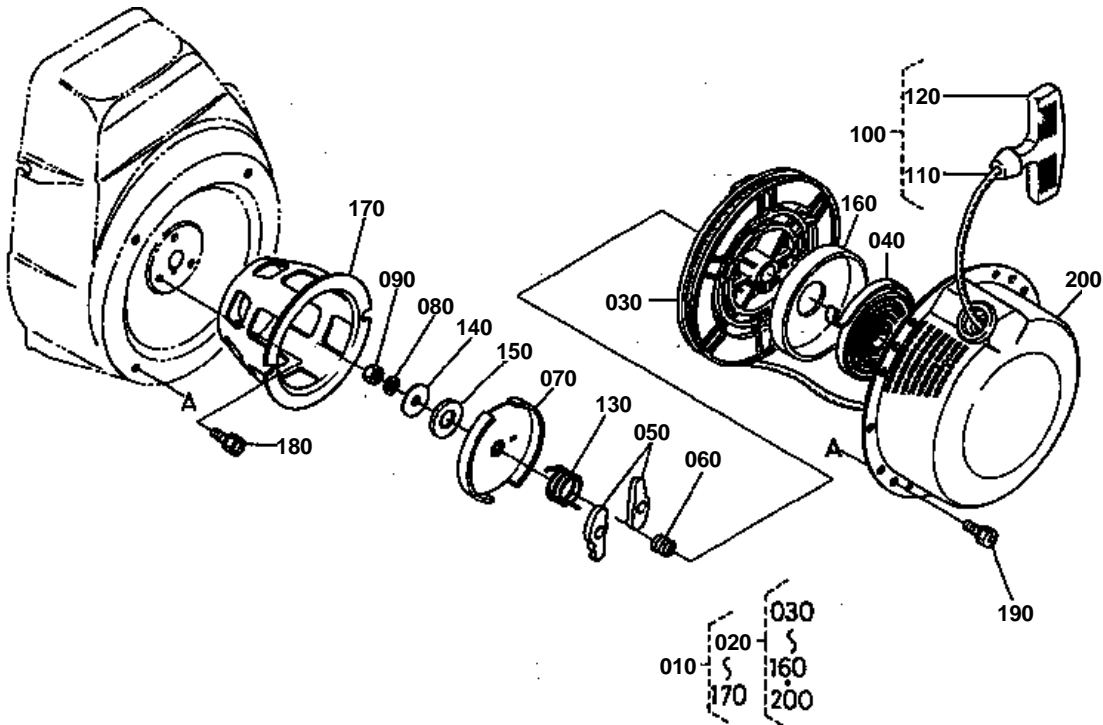


GOVERNOR LEVER

↔ Interchangeable; ≠ not interchangeable; ← new for old; → old for new

| REF.No | Part No. | Description | Q'ty | S.No. | I/C | REMARKS | Weight (kgf) | Weight (lb) |
|--------|-------------|----------------------|------|-------|-----|---------|--------------|-------------|
| 010 | 13961-56020 | ASSY LEVER,GOVERNOR | 1 | | | | 0.1 | 0.22 |
| 020 | 01125-50830 | BOLT | 1 | | | | 0.01 | 0.022 |
| 030 | 13961-92020 | NUT | 1 | | | | 0.007 | 0.0154 |
| 040 | 13961-56100 | ASSY SHAFT,GOVERNOR | 1 | | | | 0.05 | 0.11 |
| 050 | 13961-56140 | SHAFT,GOVERNOR LEVER | 1 | | | | 0.045 | 0.099 |
| 060 | 04613-00070 | CIR-CLIP,EXTERNAL | 1 | | | | 0 | 0 |
| 070 | 04613-00070 | CIR-CLIP,EXTERNAL | 1 | | | | 0 | 0 |
| 080 | 13641-56240 | GASKET | 1 | | | | 0.001 | 0.0022 |
| 090 | 04012-50080 | WASHER,PLAIN | 1 | | | | 0.001 | 0.0022 |
| 100 | 13961-56350 | ROD,GOVERNOR JOINT | 1 | | | | 0.002 | 0.0044 |
| 110 | 13961-56390 | SPRING | 1 | | | | 0.002 | 0.0044 |
| 120 | 12401-56410 | SPRING,GOVERNOR | 1 | | | | 0.002 | 0.0044 |
| 130 | 12401-57010 | ASSY PLATE,CONTROL | 1 | | | | 0.08 | 0.176 |
| 140 | 03014-50635 | SCREW,PAN HEAD | 1 | | | | 0.008 | 0.0176 |
| 150 | 13921-56870 | SPRING | 1 | | | | 0.002 | 0.0044 |
| 160 | 13621-93410 | SCREW | 1 | | | | 0 | 0 |
| 170 | 13641-56860 | SPRING | 1 | | | | 0.001 | 0.0022 |
| 180 | 13382-57040 | COMP.LEVER,CONTROL | 1 | | | | 0.075 | 0.165 |
| 190 | 13961-57240 | COLLAR | 1 | | | | 0.005 | 0.011 |
| 200 | 04015-50080 | WASHER,PLAIN | 1 | | | | 0 | 0 |
| 210 | 13961-91550 | STUD | 1 | | | | 0.01 | 0.022 |
| 220 | 02114-50080 | NUT | 1 | | | | 0.005 | 0.011 |
| 230 | 04512-50080 | WASHER,SPRING | 1 | | | | 0 | 0 |
| 240 | 13901-91020 | BOLT | 1 | | | | 0.005 | 0.011 |

RECOIL STARTER



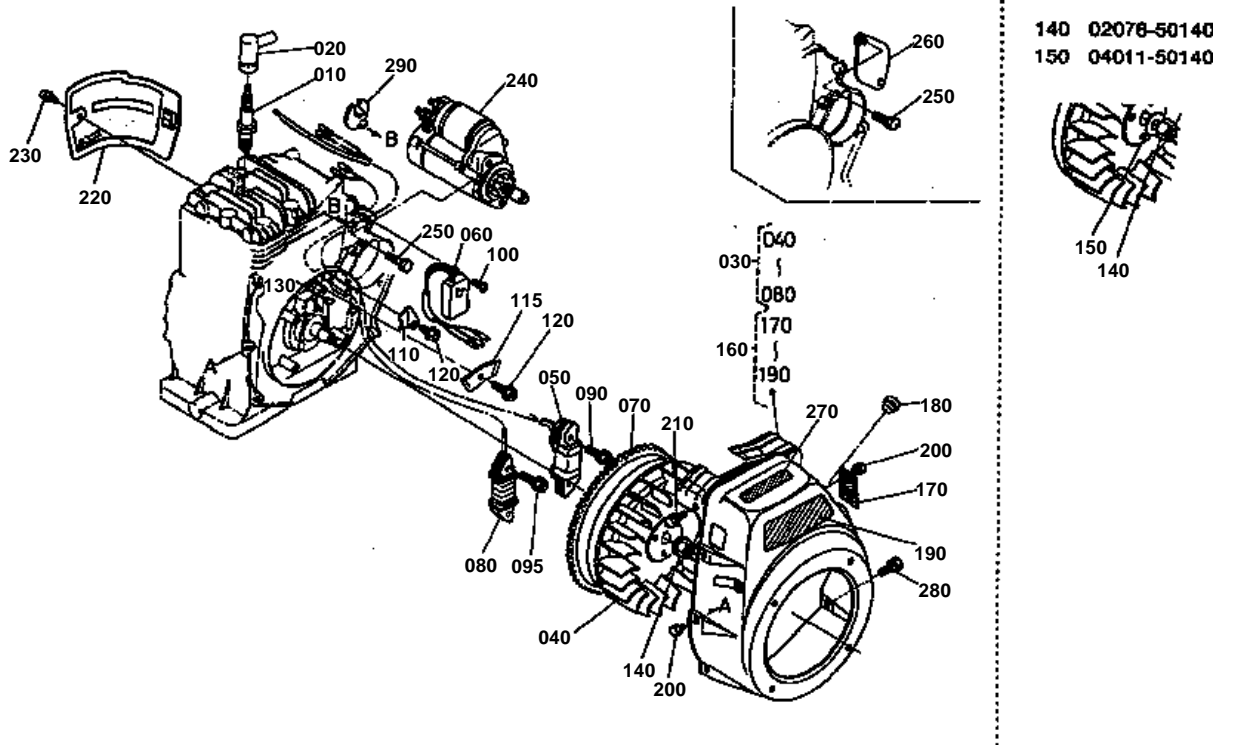


RECOIL STARTER

↔ Interchangeable; ≠ not interchangeable; ← new for old; → old for new

| REF.No | Part No. | Description | Q'ty | S.No. | I/C | REMARKS | Weight (kgf) | Weight (lb) |
|--------|-------------|----------------------|------|-------|-----|---------|--------------|-------------|
| 010 | 13415-61010 | ASSY STARTER,RECOIL | 1 | | | | 1.52 | 3.344 |
| 020 | 13415-61080 | ASSY STARTER,REC SUB | 1 | | | | 1.25 | 2.75 |
| 030 | 12451-61520 | PLATE,REEL | 1 | | | | 0.19 | 0.418 |
| 040 | 12451-61540 | SPRING,SPIRAL | 1 | | | | 0.164 | 0.3608 |
| 050 | 12451-61530 | RATCHET | 2 | | | | 0.03 | 0.066 |
| 060 | 12451-61630 | SPRING,FRICTION | 1 | | | | 0.002 | 0.0044 |
| 070 | 12451-61620 | PLATE,FRICTION | 1 | | | | 0.08 | 0.176 |
| 080 | 04512-50060 | WASHER,SPRING | 1 | | | | 0 | 0 |
| 090 | 02014-50060 | NUT | 1 | | | | 0.003 | 0.0066 |
| 100 | 12451-61090 | ASSY ROPE,STARTER | 1 | | | | 0.09 | 0.198 |
| 110 | 12451-61650 | ROPE,STARTER | 1 | | | | 0.03 | 0.066 |
| 120 | 13641-61090 | HANDLE | 1 | | | | 0.085 | 0.187 |
| 130 | 12451-61850 | SPRING,RETURN | 1 | | | | 0.005 | 0.011 |
| 140 | 12451-61640 | WASHER,THRUST | 1 | | | | 0.006 | 0.0132 |
| 150 | 12451-61580 | WASHER,THRUST | 1 | | | | 0.001 | 0.0022 |
| 160 | 13415-61550 | COVER,SPRING | 1 | | | | 0.04 | 0.088 |
| 170 | 13415-61740 | PULLEY,START | 1 | | | | 0.25 | 0.55 |
| 180 | 01123-50814 | BOLT | 3 | | | | 0 | 0 |
| 190 | 01202-50610 | BOLT | 4 | | | | 0.004 | 0.0088 |
| 200 | 13415-61510 | CASE,RECOIL STARTER | 1 | | | | 0.654 | 1.4388 |

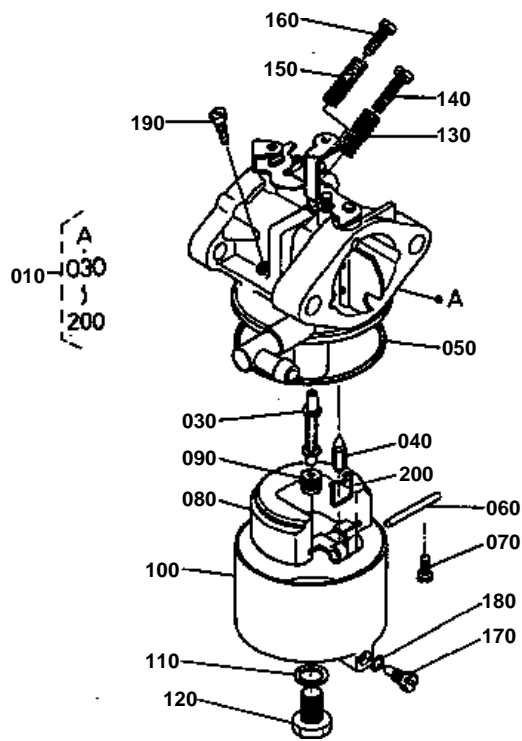
MAGNETO



**MAGNETO**

↔ Interchangeable; ≠ not interchangeable; ← new for old; → old for new

| REF.No | Part No. | Description | Q'ty | S.No. | I/C | REMARKS | Weight (kgf) | Weight (lb) |
|--------|-------------|----------------------|------|---------|-----|---------|--------------|-------------|
| 010 | 12366-67710 | SPARK PLUG | 1 | | | | 0.05 | 0.11 |
| 020 | 12807-67720 | CAP,SPARK PLUG | 1 | | | | 0.03 | 0.066 |
| 030 | 12758-67010 | ASSY MAGNETO | 1 | | | | 6.2 | 13.64 |
| 040 | 13418-67030 | COMP.ROTOR | 1 | | | | 6 | 13.2 |
| 050 | 13415-67060 | COMP.COIL,IGNITION | 1 | | | | 0.316 | 0.6952 |
| 060 | 13415-67780 | COMP UNIT | 1 | | | | 0.068 | 0.1496 |
| 070 | 13963-63820 | GEAR,RING | 1 | | | | 0.43 | 0.946 |
| 090 | 13901-91010 | BOLT | 2 | | | | 0.008 | 0.0176 |
| 100 | 12271-93020 | SCREW | 2 | | | | 0.004 | 0.0088 |
| 110 | 13961-67590 | CLAMP,CORD | 1 | | | | 0.002 | 0.0044 |
| 120 | 13901-91020 | BOLT | 1 | | | | 0.005 | 0.011 |
| 130 | 12331-95230 | KEY,WOODRUFF | 1 | | | | 0.01 | 0.022 |
| 140 | 02076-50140 | NUT | 1 | ≤552261 | | | 0.022 | 0.0484 |
| 140 | 12191-92110 | NUT,FLANGE | 1 | ≥552262 | ≠ | | 0.02 | 0.044 |
| 140 | 12331-67350 | NUT,FLYWHEEL | 1 | ≥552987 | ↔ | | 0.03 | 0.066 |
| 150 | 04011-50140 | WASHER,PLAIN | 1 | ≤552261 | | | 0.007 | 0.0154 |
| 160 | 13415-74040 | ASSY COVER,FAN | 1 | ≤554523 | | | 0 | 0 |
| 160 | 13415-74043 | ASSY COVER,FAN | 1 | ≥554524 | ≠ | | 0 | 0 |
| 160 | 13415-74044 | ASSY COVER,FAN | 1 | ≥554879 | ← | | 0.77 | 1.694 |
| 170 | 13415-88112 | NAME PLATE | 1 | ≤554523 | | | 0.001 | 0.0022 |
| 170 | 13415-88113 | NAME PLATE | 1 | ≥554524 | ≠ | | 0.001 | 0.0022 |
| 180 | 13635-67160 | PLUG,BLIND | 1 | | | | 0.002 | 0.0044 |
| 190 | 13415-88160 | MARK,KUBOTA | 1 | ≤554523 | | | 0 | 0 |
| 190 | 12334-87162 | MARK,KUBOTA | 1 | ≥554524 | ≠ | | 0.001 | 0.0022 |
| 200 | 13641-74520 | BOLT | 6 | ≤552261 | | | 0.004 | 0.0088 |
| 200 | 13641-74520 | BOLT | 5 | ≥552262 | | | 0.004 | 0.0088 |
| 210 | 13921-91130 | BOLT | 1 | ≤554523 | | | 0.012 | 0.0264 |
| 210 | 01754-50816 | BOLT,FLANGE | 1 | ≥554524 | ≠ | | 0.011 | 0.0242 |
| 220 | 12401-74490 | COWLING,CYLINDER | 1 | | | | 0.08 | 0.176 |
| 230 | 13901-91020 | BOLT | 1 | | | | 0.005 | 0.011 |
| 250 | 01123-50835 | BOLT | 2 | | | | 0.02 | 0.044 |
| 260 | 13964-01330 | COMP CAP | 1 | | | | 0.07 | 0.154 |
| 270 | 62425-47453 | LABEL,STARTER SWITCH | 1 | | | | 0.003 | 0.0066 |
| 280 | 13941-93850 | BOLT | 1 | | | | 0 | 0 |
| 290 | 12401-67160 | PLUG,BLIND | 1 | | | | 0.001 | 0.0022 |

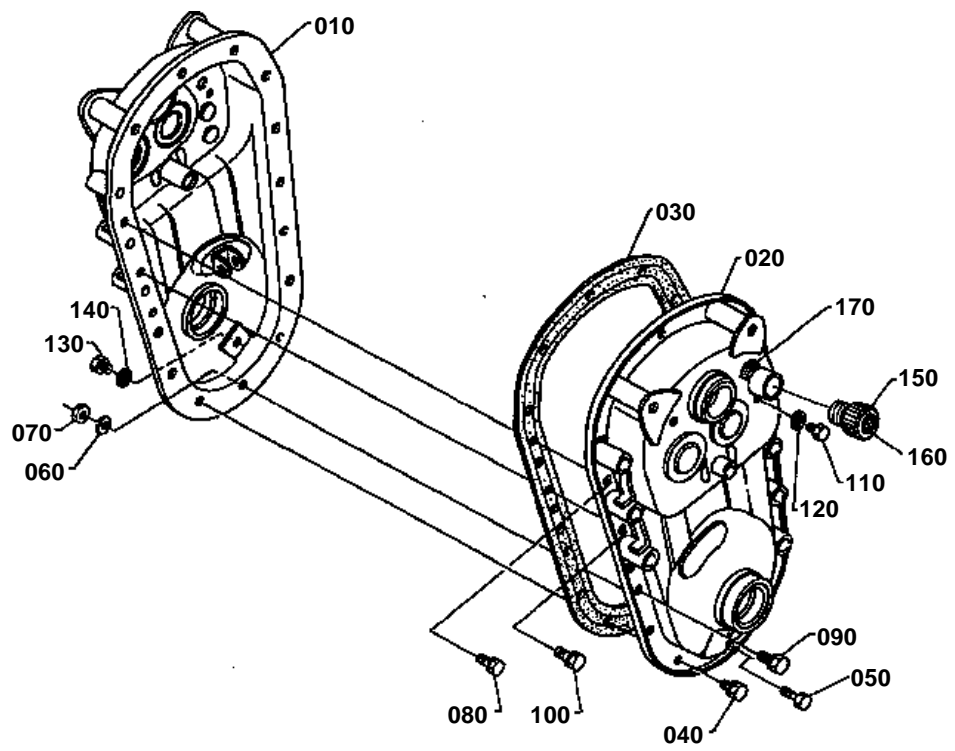


**CARBURETTOR [COMPONENT PARTS]**

↔ Interchangeable; ≠ not interchangeable; ← new for old; → old for new

| REF.No | Part No. | Description | Q'ty | S.No. | I/C | REMARKS | Weight (kgf) | Weight (lb) |
|--------|-------------|------------------|------|----------|-----|---------|--------------|-------------|
| 010 | 13415-44013 | ASSY CARBURETTOR | 1 | ≤551979 | | | 0 | 0 |
| 010 | 13415-44014 | ASSY CARBURETTOR | 1 | >=551980 | ← | | 0 | 0 |
| 010 | 13415-44015 | ASSY CARBURETTOR | 1 | >=552262 | ← | | 0 | 0 |
| 010 | 13415-44016 | ASSY CARBURETTOR | 1 | >=552267 | ← | | 0.23 | 0.506 |
| 020 | 99999-99999 | BLANK | 0 | | | | 0 | 0 |
| 030 | 13382-44120 | NOZZLE,MAIN | 1 | ≤552266 | | | 0.001 | 0.0022 |
| 030 | 13423-44120 | NOZZLE,MAIN | 1 | >=552267 | ≠ | | 0.001 | 0.0022 |
| 030 | 13425-44120 | NOZZLE,MAIN | 1 | >=552387 | ← | | 0.004 | 0.0088 |
| 040 | 13961-44840 | ASSY VALVE,FLOAT | 1 | | | | 0.001 | 0.0022 |
| 050 | 13901-44740 | GASKET | 1 | | | | 0.006 | 0.0132 |
| 060 | 13901-44780 | PIN,ARM | 1 | | | | 0.004 | 0.0088 |
| 070 | 13961-44272 | SCREW,SET | 1 | | | | 0.001 | 0.0022 |
| 080 | 13901-44710 | FLOAT | 1 | | | | 0.015 | 0.033 |
| 090 | 13382-44112 | MAIN JET | 1 | | | | 0.001 | 0.0022 |
| 100 | 13901-44730 | CHAMBER,FLOAT | 1 | | | | 0.1 | 0.22 |
| 110 | 13626-44280 | GASKET | 1 | | | | 0.001 | 0.0022 |
| 120 | 13626-44260 | BOLT | 1 | ≤552261 | | | 0.009 | 0.0198 |
| 120 | 13901-44260 | BOLT | 1 | >=552262 | ≠ | | 0.01 | 0.022 |
| 130 | 13626-44210 | SPRING | 1 | | | | 0.001 | 0.0022 |
| 140 | 13301-44230 | SCREW,F-FIL-HD | 1 | | | | 0.002 | 0.0044 |
| 150 | 13301-44240 | SPRING | 1 | | | | 0.001 | 0.0022 |
| 160 | 13626-44220 | SCREW,ADJUSTING | 1 | | | | 0.002 | 0.0044 |
| 170 | 13901-44830 | SCREW,DRAIN | 1 | | | | 0.001 | 0.0022 |
| 180 | 13901-45950 | O RING | 1 | | | | 0.001 | 0.0022 |
| 190 | 13382-44202 | MAIN JET | 1 | ≤552266 | | | 0.001 | 0.0022 |
| 190 | 13425-44200 | MAIN JET | 1 | >=552267 | ≠ | | 0.001 | 0.0022 |
| 200 | 13961-44860 | CLIP | 1 | | | | 0.001 | 0.0022 |

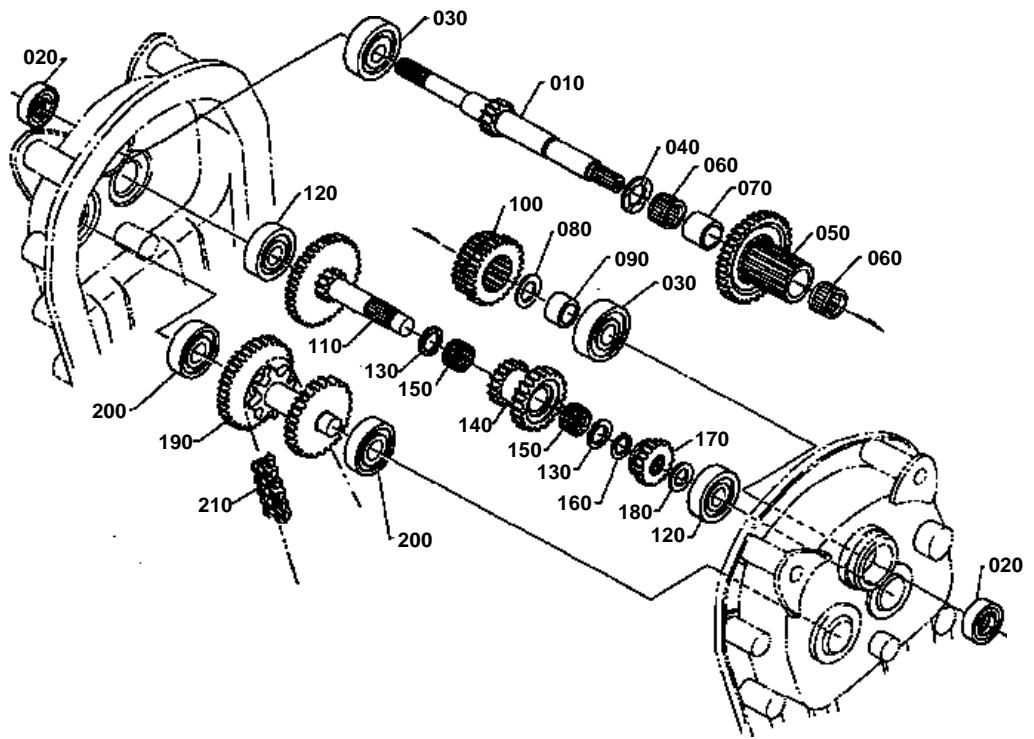
TRANSMISSION CASE



**TRANSMISSION CASE**

↔ Interchangeable; ≠ not interchangeable; ← new for old; → old for new

| REF.No | Part No. | Description | Q'ty | S.No. | I/C | REMARKS | Weight (kgf) | Weight (lb) |
|--------|-------------|----------------------|------|---------|-----|---------|--------------|-------------|
| 010 | 62425-11110 | CASE,T/M LH | 1 | <=63965 | | | 4.6 | 10.12 |
| 010 | 62423-11110 | CASE,T/M LH | 1 | >=63966 | ≠ | | 4.6 | 10.12 |
| 020 | 62425-11120 | CASE,T/M RH | 1 | <=63965 | | | 4.6 | 10.12 |
| 020 | 42423-11120 | CASE,T/M RH | 1 | >=63966 | ≠ | | 0 | 0 |
| 030 | 62411-11130 | PACKING | 1 | | | | 0 | 0 |
| 040 | 01123-50816 | BOLT | 3 | | | | 0.011 | 0.0242 |
| 050 | 62423-11132 | BOLT,REAMER | 2 | | | | 0.01 | 0.022 |
| 060 | 04512-50080 | WASHER,SPRING | 2 | | | | 0 | 0 |
| 070 | 02114-50080 | NUT | 2 | | | | 0.005 | 0.011 |
| 080 | 01123-50825 | BOLT | 1 | | | | 0.013 | 0.0286 |
| 090 | 01133-51016 | BOLT | 3 | | | | 0.015 | 0.033 |
| 100 | 01130-51025 | BOLT | 1 | | | | 0 | 0 |
| 110 | 01150-50812 | BOLT | 1 | | | | 0.009 | 0.0198 |
| 120 | 04717-00800 | WASHER,WITH RUBBER | 1 | | | | 0.001 | 0.0022 |
| 130 | 06331-35010 | PLUG | 1 | | | | 0.012 | 0.0264 |
| 140 | 04717-01000 | WASHER,WITH RUBBER | 1 | | | | 0.001 | 0.0022 |
| 150 | 62425-32143 | COMP PLUG,OIL FILLER | 1 | | | | 0.01 | 0.022 |
| 160 | 62425-32153 | LABEL,OIL FILLER | 1 | | | | 0.001 | 0.0022 |
| 170 | 62425-47510 | LABEL,OIL | 1 | | | | 0.001 | 0.0022 |

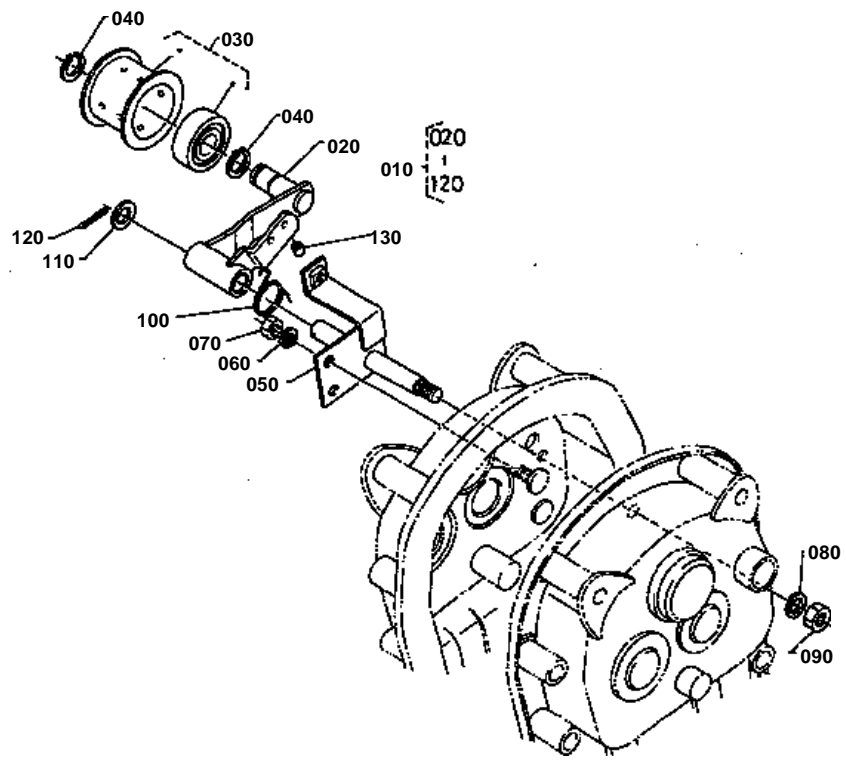


**GEAR**

↔ Interchangeable; ≠ not interchangeable; ← new for old; → old for new

| REF.No | Part No. | Description | Q'ty | S.No. | I/C | REMARKS | Weight (kgf) | Weight (lb) |
|--------|-------------|-------------------|------|-------|-----|---------|--------------|-------------|
| 010 | 62411-14114 | SHAFT | 1 | | | | 0.4 | 0.88 |
| 020 | 09500-17358 | SEAL,OIL | 2 | | | | 0.01 | 0.022 |
| 030 | 08101-06303 | BEARING,BALL | 2 | | | | 0.112 | 0.2464 |
| 040 | 62411-14120 | COLLAR,THRUST | 1 | | | | 0 | 0 |
| 050 | 62411-14130 | COMP GEAR,SPLINE | 1 | | | | 0.407 | 0.8954 |
| 060 | 08822-02617 | BEARING,NEEDLE | 2 | | | | 0.02 | 0.044 |
| 070 | 62411-14140 | COLLAR,SHAFT | 1 | | | | 0.026 | 0.0572 |
| 080 | 62411-14150 | COLLAR,THRUST | 1 | | | | 0.008 | 0.0176 |
| 090 | 62425-14160 | COLLAR,SHAFT | 1 | | | | 0.03 | 0.066 |
| 100 | 62411-14170 | GEAR | 1 | | | | 0.177 | 0.3894 |
| 110 | 62411-14210 | COMP GEAR,SHAFT | 1 | | | | 0.496 | 1.0912 |
| 120 | 08101-06302 | BEARING,BALL | 2 | | | | 0.084 | 0.1848 |
| 130 | 62411-14220 | COLLAR,THRUST | 2 | | | | 0.003 | 0.0066 |
| 140 | 62411-14230 | GEAR | 1 | | | | 0.224 | 0.4928 |
| 150 | 08821-82217 | BEARING,NEEDLE | 2 | | | | 0.015 | 0.033 |
| 160 | 04612-00180 | CIR-CLIP,EXTERNAL | 1 | | | | 0.001 | 0.0022 |
| 170 | 62425-14250 | GEAR | 1 | | | | 0.13 | 0.286 |
| 180 | 62411-14260 | COLLAR,SHAFT | 1 | | | | 0.005 | 0.011 |
| 190 | 62425-14310 | COMP.SHAFT | 1 | | | | 0.9 | 1.98 |
| 200 | 08101-06303 | BEARING,BALL | 2 | | | | 0.112 | 0.2464 |
| 210 | 62411-15110 | CHAIN,K.LINK | 1 | | | | 1.05 | 2.31 |

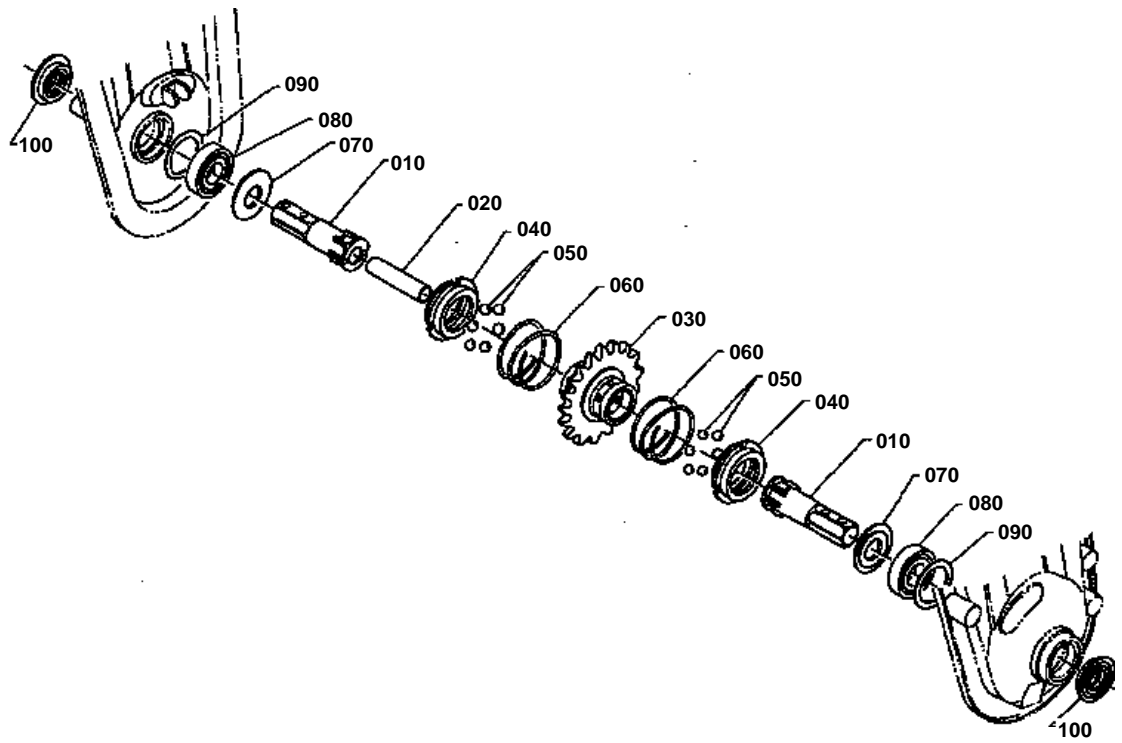
TENSION PULLEY



**TENSION PULLEY**

↔ Interchangeable; ≠ not interchangeable; ← new for old; → old for new

| REF.No | Part No. | Description | Q'ty | S.No. | I/C | REMARKS | Weight (kgf) | Weight (lb) |
|--------|-------------|---------------------|------|---------|-----|---------|--------------|-------------|
| 010 | 62425-13100 | ASSY PULLEY,TENSION | 1 | ≤=63965 | | | 0.815 | 1.793 |
| 010 | 62428-13100 | ASSY PULLEY,TENSION | 1 | ≥=63966 | ≠ | | 0.8 | 1.76 |
| 020 | 62425-13110 | ASSY PULLEY,TENSION | 1 | ≤=63965 | | | 0 | 0 |
| 020 | 62428-13110 | ASSY PULLEY,TENSION | 1 | ≥=63966 | ≠ | | 0.31 | 0.682 |
| 030 | 62425-13220 | COMP.PULLEY,TENSION | 1 | ≤=63965 | | | 0.22 | 0.484 |
| 030 | 62428-13220 | COMP.PULLEY,TENSION | 1 | ≥=63966 | ≠ | | 0.215 | 0.473 |
| 040 | 04612-00170 | CIR-CLIP,EXTERNAL | 2 | | | | 0.001 | 0.0022 |
| 050 | 62411-13120 | SHAFT,TENSION ARM | 1 | ≤=63965 | | | 0.241 | 0.5302 |
| 050 | 62428-13120 | SHAFT,TENSION ARM | 1 | ≥=63966 | ≠ | | 0.25 | 0.55 |
| 060 | 04512-50080 | WASHER,SPRING | 2 | | | | 0 | 0 |
| 070 | 02114-50080 | NUT | 2 | | | | 0.005 | 0.011 |
| 080 | 04512-50100 | WASHER,SPRING | 1 | | | | 0 | 0 |
| 090 | 02118-50100 | NUT | 1 | | | | 0.005 | 0.011 |
| 100 | 62411-13130 | SPRING,RETURN | 1 | ≤=61000 | | | 0 | 0 |
| 100 | 62425-13130 | SPRING,RETURN | 1 | ≥=61001 | ↔ | | 0.004 | 0.0088 |
| 110 | 04011-50140 | WASHER,PLAIN | 1 | | | | 0.007 | 0.0154 |
| 120 | 05511-50320 | PIN,SPLIT | 1 | | | | 0.002 | 0.0044 |
| 130 | 62411-13140 | CUSHION | 1 | | | | 0.005 | 0.011 |



**AXLE**

↔ Interchangeable; ≠ not interchangeable; ← new for old; → old for new

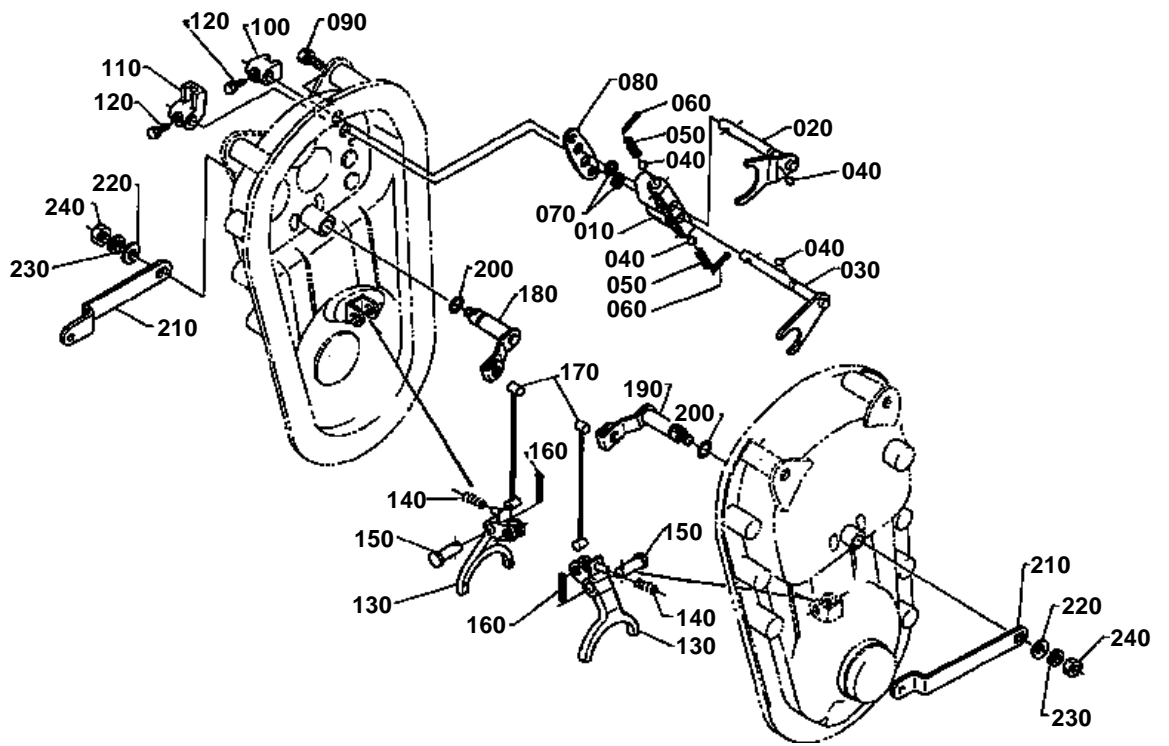
| REF.No | Part No. | Description | Q'ty | S.No. | I/C | REMARKS | Weight (kgf) | Weight (lb) |
|--------|-------------|---------------|------|-------|-----|---------|--------------|-------------|
| 010 | 61351-17110 | AXLE | 2 | | | | 0.382 | 0.8404 |
| 020 | 61321-17120 | AXLE | 1 | | | | 0.144 | 0.3168 |
| 030 | 61321-17130 | SPROCKET | 1 | | | | 0.775 | 1.705 |
| 040 | 61321-17145 | RETAINER,BALL | 2 | | | | 0.15 | 0.33 |
| 050 | 07715-01605 | BALL | 12 | | | | 0.003 | 0.0066 |
| 060 | 61321-17150 | SPRING,RETURN | 2 | | | | 0.039 | 0.0858 |
| 070 | 61321-17160 | COLLAR,AXLE | 2 | | | | 0.03 | 0.066 |
| 080 | 08101-06205 | BEARING,BALL | 2 | | | | 0.14 | 0.308 |
| 090 | 61321-17170 | SHIM | 2 | | | | 0.005 | 0.011 |
| 100 | 61011-17150 | SEAL,OIL | 2 | | | | 0.028 | 0.0616 |

**TIRE**

↔ Interchangeable; ≠ not interchangeable; ← new for old; → old for new

| REF.No | Part No. | Description | Q'ty | S.No. | I/C | REMARKS | Weight (kgf) | Weight (lb) |
|--------|-------------|----------------------|------|---------|-----|---------|--------------|-------------|
| 010 | 62425-17210 | TUBE,WHEEL | 2 | <=63965 | | | 0.81 | 1.782 |
| 010 | 62411-17210 | TUBE,WHEEL | 2 | >=63966 | ≠ | | 0.8 | 1.76 |
| 020 | 61041-17170 | PIN,AXLE | 2 | | | | 0.022 | 0.0484 |
| 030 | 05516-50800 | PIN,SNAP | 2 | | | | 0.002 | 0.0044 |
| 040 | 01153-50845 | BOLT | 2 | | | | 0.018 | 0.0396 |
| 050 | 91013-30150 | ASSY TIRE,WITH-RH.LH | 1 | <=61460 | | | 0 | 0 |
| 050 | 91013-30250 | ASSY TIRE | 1 | >=61461 | ↔ | | 9 | 19.8 |
| 050 | 91013-30350 | ASSY TIRE | 1 | >=63966 | ≠ | | 8.3 | 18.26 |
| 060 | 91013-31050 | ASSY TIRE,LH | 1 | <=61460 | | | 0 | 0 |
| 060 | 91013-32050 | ASSY TIRE,LH | 1 | >=61461 | ↔ | | 8.5 | 18.7 |
| 060 | 91013-33050 | ASSY TIRE,LH | 1 | >=63966 | ≠ | | 0 | 0 |
| 070 | 62425-17410 | HUB,WHEEL | 1 | <=63965 | | | 0 | 0 |
| 070 | 62425-17420 | HUB,WHEEL | 1 | >=63966 | ≠ | | 0.332 | 0.7304 |
| 080 | 01153-50820 | BOLT | 3 | | | | 0.012 | 0.0264 |
| 090 | 02114-50080 | NUT | 3 | | | | 0.005 | 0.011 |
| 100 | 04512-50080 | WASHER,SPRING | 3 | | | | 0 | 0 |
| 110 | 91013-31060 | ASSY TIRE,HUBLESS LH | 1 | <=61460 | | | 0 | 0 |
| 110 | 91013-32060 | ASSY TIRE,HUBLESS LH | 1 | >=61461 | ↔ | | 4 | 8.8 |
| 110 | 91013-33060 | ASSY TIRE,HUBLESS LH | 1 | >=63966 | ≠ | | 0 | 0 |
| 120 | 91013-31510 | WHEEL | 1 | <=63965 | | | 1.63 | 3.586 |
| 120 | 91013-32110 | WHEEL | 1 | >=63966 | ≠ | | 2 | 4.4 |
| 130 | 91013-31120 | TUBE | 1 | | | | 0.29 | 0.638 |
| 140 | 91013-31130 | TIRE | 1 | <=61460 | | | 0 | 0 |
| 140 | 91013-32530 | TIRE | 1 | >=61461 | ↔ | | 1.62 | 3.564 |
| 150 | 01153-50816 | BOLT | 4 | | | | 0.01 | 0.022 |
| 160 | 02114-50080 | NUT | 4 | | | | 0.005 | 0.011 |
| 170 | 04512-50080 | WASHER,SPRING | 4 | | | | 0 | 0 |
| 180 | 91013-31500 | ASSY TIRE,RH | 1 | <=61460 | | | 0 | 0 |
| 180 | 91013-32500 | ASSY TIRE,RH | 1 | >=61461 | ↔ | | 8.5 | 18.7 |
| 180 | 91013-33500 | ASSY TIRE,RH | 1 | >=63966 | ≠ | | 4.4 | 9.68 |
| 190 | 62425-17410 | HUB,WHEEL | 1 | <=63965 | | | 0 | 0 |
| 190 | 62425-17420 | HUB,WHEEL | 1 | >=63966 | ≠ | | 0.332 | 0.7304 |
| 200 | 01153-50820 | BOLT | 3 | | | | 0.012 | 0.0264 |
| 210 | 02114-50080 | NUT | 3 | | | | 0.005 | 0.011 |
| 220 | 04512-50080 | WASHER,SPRING | 3 | | | | 0 | 0 |
| 230 | 91013-31600 | ASSY TIRE,HABLESS RH | 1 | <=61460 | | | 0 | 0 |
| 230 | 91013-32600 | ASSY TIRE,HABLESS RH | 1 | >=61461 | ↔ | | 3.56 | 7.832 |
| 230 | 91013-33600 | ASSY TIRE,HABLESS RH | 1 | >=63966 | ≠ | | 0 | 0 |
| 240 | 91013-31510 | WHEEL | 1 | <=63965 | | | 1.63 | 3.586 |
| 240 | 91013-32110 | WHEEL | 1 | >=63966 | ≠ | | 2 | 4.4 |
| 250 | 91013-31120 | TUBE | 1 | | | | 0.29 | 0.638 |
| 260 | 91013-32530 | TIRE | 1 | <=61460 | | | 1.62 | 3.564 |
| 260 | 91013-32530 | TIRE | 1 | >=61461 | ↔ | | 1.62 | 3.564 |
| 270 | 01153-50816 | BOLT | 4 | | | | 0.01 | 0.022 |
| 280 | 02114-50080 | NUT | 4 | | | | 0.005 | 0.011 |
| 290 | 04512-50080 | WASHER,SPRING | 4 | | | | 0 | 0 |
| 300 | 02552-50080 | NUT,LOCK | 2 | | | | 0.005 | 0.011 |

SHIFT FORK

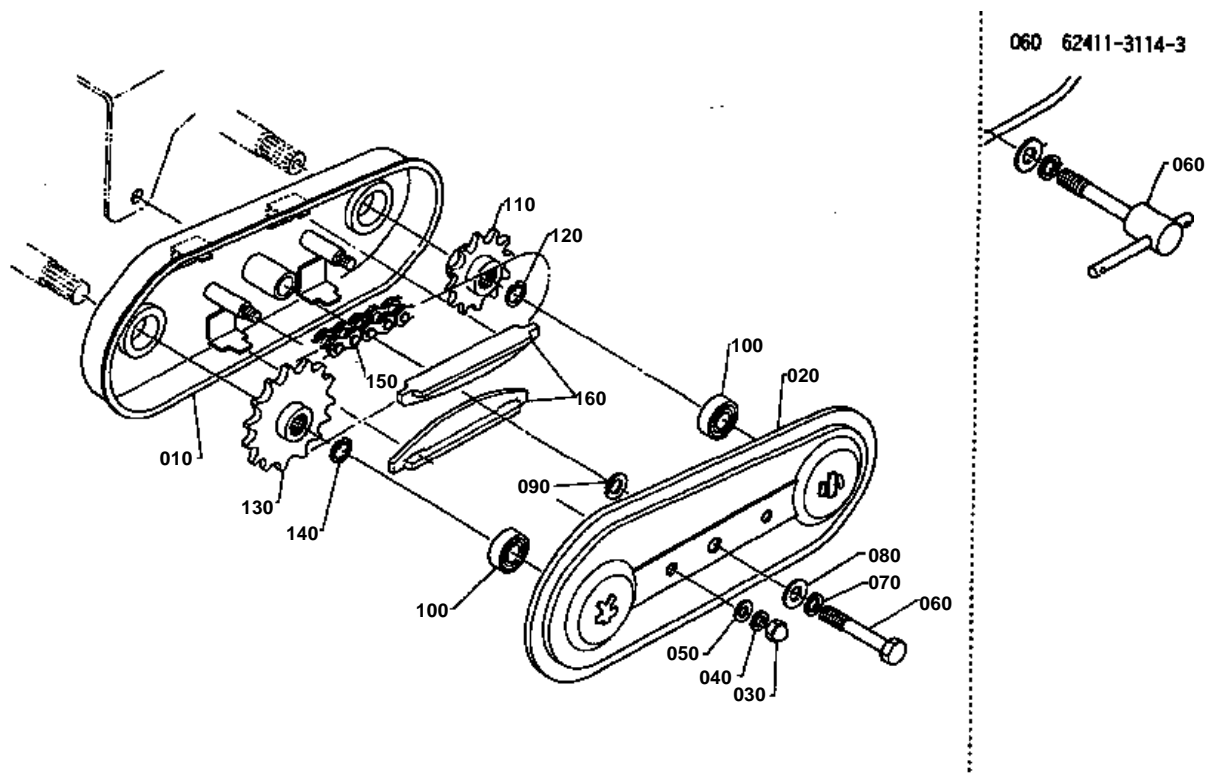


**SHIFT FORK**

↔ Interchangeable; ≠ not interchangeable; ← new for old; → old for new

| REF.No | Part No. | Description | Q'ty | S.No. | I/C | REMARKS | Weight (kgf) | Weight (lb) |
|--------|-------------|----------------------|------|--------|-----|---------|--------------|-------------|
| 010 | 61321-18113 | HOLDER,SHIFT ROD | 1 | | | | 0.165 | 0.363 |
| 020 | 62425-18120 | COMP.FORK,SHIFT | 1 | | | | 0.19 | 0.418 |
| 030 | 62411-18130 | COMP.FORK,SHIFT | 1 | | | | 0.16 | 0.352 |
| 040 | 07715-01605 | BALL | 4 | | | | 0.003 | 0.0066 |
| 050 | 62231-18530 | SPRING | 2 | | | | 0.01 | 0.022 |
| 060 | 05511-50325 | PIN,SPLIT | 1 | | | | 0.002 | 0.0044 |
| 070 | 09230-12185 | SEAL,OIL | 2 | | | | 0.002 | 0.0044 |
| 080 | 61321-18150 | PACKING | 1 | | | | 0.004 | 0.0088 |
| 090 | 01123-50818 | BOLT | 2 | | | | 0.012 | 0.0264 |
| 100 | 62425-18160 | JOINT,LEVER | 1 | ≤63965 | | | 0.06 | 0.132 |
| 100 | 62411-18160 | JOINT,LEVER | 1 | ≥63966 | ≠ | | 0.06 | 0.132 |
| 110 | 62425-18173 | JOINT,LEVER | 1 | ≤63965 | | | 0.12 | 0.264 |
| 110 | 62425-18180 | JOINT,LEVER | 1 | ≥63966 | ≠ | | 0.12 | 0.264 |
| 120 | 01023-50616 | BOLT | 2 | | | | 0.005 | 0.011 |
| 130 | 61361-18814 | FORK | 2 | | | | 0.14 | 0.308 |
| 140 | 61361-18820 | SPRING | 2 | | | | 0.001 | 0.0022 |
| 150 | 05112-51030 | PIN,JOINT | 2 | | | | 0.02 | 0.044 |
| 160 | 05511-50318 | PIN,SPLIT | 2 | | | | 0.001 | 0.0022 |
| 170 | 62411-18820 | WIRE,STEERING ROD | 2 | | | | 0.014 | 0.0308 |
| 180 | 62411-18830 | LEVER,LH | 1 | | | | 0.1 | 0.22 |
| 190 | 62411-18840 | LEVER,RH | 1 | | | | 0.1 | 0.22 |
| 200 | 04811-06100 | O RING | 2 | | | | 0.001 | 0.0022 |
| 210 | 62425-18850 | LEVER,STEERING CLUTC | 2 | ≤63965 | | | 0.1 | 0.22 |
| 210 | 62425-18860 | LEVER,STEERING CLUTC | 2 | ≥63966 | ≠ | | 0.12 | 0.264 |
| 220 | 04013-50080 | WASHER,PLAIN | 2 | | | | 0 | 0 |
| 230 | 04512-50080 | WASHER,SPRING | 2 | | | | 0 | 0 |
| 240 | 02114-50080 | NUT | 2 | | | | 0.005 | 0.011 |

CHAIN CASE



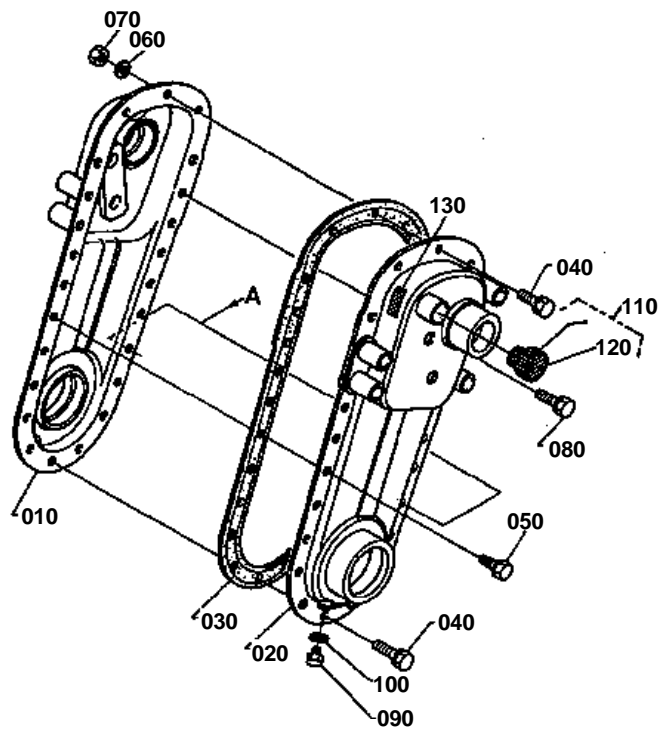


CHAIN CASE

↔ Interchangeable; ≠ not interchangeable; ← new for old; → old for new

| REF.No | Part No. | Description | Q'ty | S.No. | I/C | REMARKS | Weight (kgf) | Weight (lb) |
|--------|-------------|----------------------|------|--------|-----|---------|--------------|-------------|
| 010 | 62425-31110 | CASE,CHAIN | 1 | ≤63965 | | | 0.95 | 2.09 |
| 010 | 62411-31115 | CASE,CHAIN | 1 | ≥63966 | ≠ | | 0.95 | 2.09 |
| 020 | 62425-31120 | COVER,AUX CHAIN CASE | 1 | ≤63965 | | | 0.35 | 0.77 |
| 020 | 62411-31120 | COVER,AUX CHAIN CASE | 1 | ≥63966 | ≠ | | 0.353 | 0.7766 |
| 030 | 62411-31130 | NUT,CAP | 2 | | | | 0.007 | 0.0154 |
| 040 | 04512-50080 | WASHER,SPRING | 2 | | | | 0 | 0 |
| 050 | 04013-50080 | WASHER,PLAIN | 2 | | | | 0 | 0 |
| 060 | 62411-31143 | BOLT | 1 | ≤63965 | | | 0.12 | 0.264 |
| 060 | 01173-51060 | BOLT | 1 | ≥63966 | ≠ | | 0.038 | 0.0836 |
| 070 | 04512-50100 | WASHER,SPRING | 1 | | | | 0 | 0 |
| 080 | 04013-50100 | WASHER,PLAIN | 1 | | | | 0 | 0 |
| 090 | 63512-31540 | CIR-CLIP | 1 | | | | 0.001 | 0.0022 |
| 100 | 08400-00004 | BEARING,THRUST BALL | 2 | | | | 0.028 | 0.0616 |
| 110 | 62411-31150 | SPROCKET | 1 | | | | 0.14 | 0.308 |
| 120 | 04611-00150 | CIR-CLIP,INTERNAL | 1 | | | | 0.001 | 0.0022 |
| 130 | 62411-31160 | SPROCKET | 1 | | | | 0.258 | 0.5676 |
| 140 | 04611-00150 | CIR-CLIP,INTERNAL | 1 | | | | 0.001 | 0.0022 |
| 150 | 62411-31170 | CHAIN,H.LINK | 1 | | | | 0.65 | 1.43 |
| 160 | 62411-31185 | TIGHTNER | 2 | | | | 0.02 | 0.044 |

ROTARY CASE



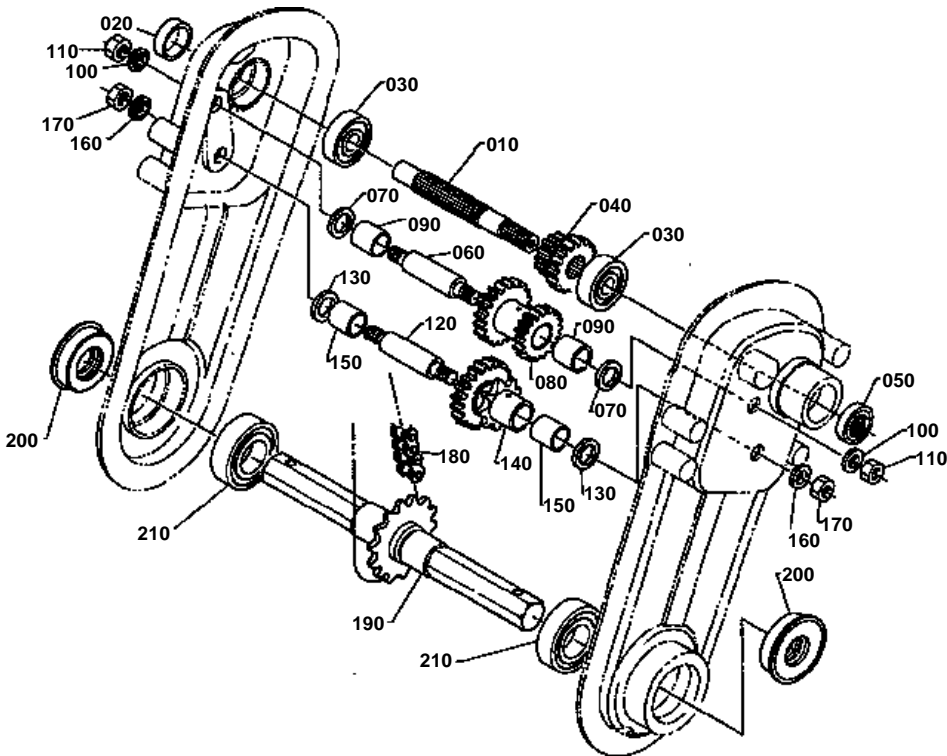


ROTARY CASE

↔ Interchangeable; ≠ not interchangeable; ← new for old; → old for new

| REF.No | Part No. | Description | Q'ty | S.No. | I/C | REMARKS | Weight (kgf) | Weight (lb) |
|--------|-------------|----------------------|------|---------|-----|---------|--------------|-------------|
| 010 | 62425-32112 | CASE,ROTARY LH | 1 | <=63965 | | | 0 | 0 |
| 010 | 62425-32170 | CASE,ROTARY LH | 1 | >=63966 | ≠ | | 2.6 | 5.72 |
| 020 | 62425-32120 | CASE,ROTARY RH | 1 | <=63965 | | | 0 | 0 |
| 020 | 62425-32190 | CASE,ROTARY RH | 1 | >=63966 | ≠ | | 2.82 | 6.204 |
| 030 | 62411-32130 | PACKING | 1 | | | | 0.045 | 0.099 |
| 040 | 62423-11132 | BOLT,REAMER | 2 | | | | 0.01 | 0.022 |
| 050 | 01123-50816 | BOLT | 15 | | | | 0.011 | 0.0242 |
| 060 | 04512-50080 | WASHER,SPRING | 2 | | | | 0 | 0 |
| 070 | 02114-50080 | NUT | 2 | | | | 0.005 | 0.011 |
| 080 | 01133-51025 | BOLT | 1 | | | | 0.023 | 0.0506 |
| 090 | 01053-50612 | BOLT | 2 | | | | 0.004 | 0.0088 |
| 100 | 04717-00600 | WASHER,WITH RUBBER | 2 | | | | 0.001 | 0.0022 |
| 110 | 62425-32143 | COMP PLUG,OIL FILLER | 1 | | | | 0.01 | 0.022 |
| 120 | 62425-32153 | LABEL,OIL FILLER | 1 | | | | 0.001 | 0.0022 |
| 130 | 62425-47520 | LABEL,OIL | 1 | | | | 0.002 | 0.0044 |

TILLAGE DRIVE SHAFT



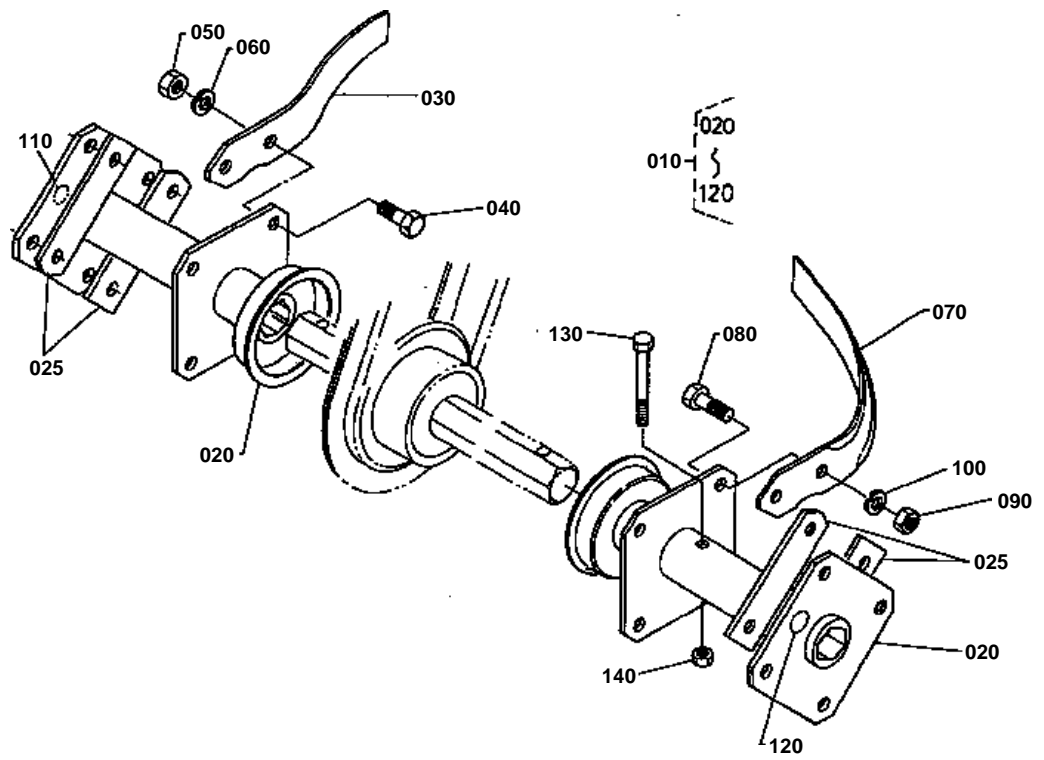


TILLAGE DRIVE SHAFT

↔ Interchangeable; ≠ not interchangeable; ← new for old; → old for new

| REF.No | Part No. | Description | Q'ty | S.No. | I/C | REMARKS | Weight (kgf) | Weight (lb) |
|--------|-------------|---------------------|------|-------|-----|---------|--------------|-------------|
| 010 | 62425-32310 | SHAFT,TILLAGE DRIVE | 1 | | | | 0.225 | 0.495 |
| 020 | 41071-41140 | PLUG,BLIND | 1 | | | | 0.013 | 0.0286 |
| 030 | 08101-06303 | BEARING,BALL | 2 | | | | 0.112 | 0.2464 |
| 040 | 62425-32320 | GEAR | 1 | | | | 0.2 | 0.44 |
| 050 | 09500-17358 | SEAL,OIL | 1 | | | | 0.01 | 0.022 |
| 060 | 62411-32410 | SHAFT,IDLE | 1 | | | | 0.177 | 0.3894 |
| 070 | 62071-14120 | COLLAR,A | 2 | | | | 0.006 | 0.0132 |
| 080 | 62425-32420 | GEAR | 1 | | | | 0.29 | 0.638 |
| 090 | 62411-32430 | BUSH | 2 | | | | 0.02 | 0.044 |
| 100 | 62411-32440 | WASHER,SEAL | 2 | | | | 0.005 | 0.011 |
| 110 | 02114-50120 | NUT | 2 | | | | 0.011 | 0.0242 |
| 120 | 62411-32410 | SHAFT,IDLE | 1 | | | | 0.177 | 0.3894 |
| 130 | 62071-14120 | COLLAR,A | 2 | | | | 0.006 | 0.0132 |
| 140 | 62425-32510 | GEAR,SPROCKET | 1 | | | | 0.54 | 1.188 |
| 150 | 62411-32430 | BUSH | 2 | | | | 0.02 | 0.044 |
| 160 | 62411-32440 | WASHER,SEAL | 2 | | | | 0.005 | 0.011 |
| 170 | 02114-50120 | NUT | 2 | | | | 0.011 | 0.0242 |
| 180 | 62425-32450 | CHAIN,H.LINK | 1 | | | | 0.7 | 1.54 |
| 190 | 62425-32610 | COMP SHAFT,TILLAGE | 1 | | | | 1.65 | 3.63 |
| 200 | 62411-32620 | SEAL,OIL | 2 | | | | 0.057 | 0.1254 |
| 210 | 08101-06206 | BEARING,BALL | 2 | | | | 0.196 | 0.4312 |

TINE SHAFT

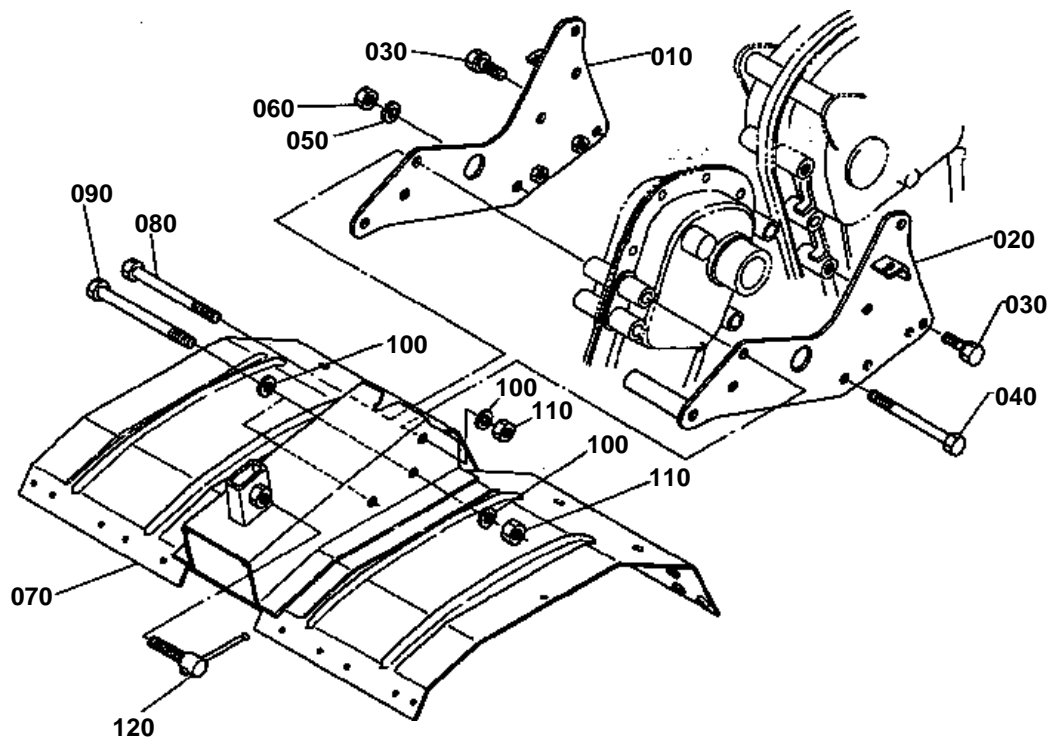


**TINE SHAFT**

↔ Interchangeable; ≠ not interchangeable; ← new for old; → old for new

| REF.No | Part No. | Description | Q'ty | S.No. | I/C | REMARKS | Weight (kgf) | Weight (lb) |
|--------|-------------|--------------------|------|---------|-----|---------|--------------|-------------|
| 010 | 62425-30110 | ASSY SHAFT, BLADE | 1 | | | | 9.8 | 21.56 |
| 020 | 62425-33110 | SHAFT, BLADE | 2 | <=63965 | | | 0 | 0 |
| 020 | 62425-33130 | SHAFT, BLADE | 2 | >=63966 | ≠ | | 1.92 | 4.224 |
| 025 | 62425-33120 | PLATE, BLADE SHAFT | 4 | >=60001 | | | 0.115 | 0.253 |
| 030 | 92188-21110 | BLADE, LH | 6 | <=56143 | | | 0.35 | 0.77 |
| 030 | 92188-21132 | BLADE, LH | 6 | >=60001 | ← | | 0.5 | 1.1 |
| 030 | 92188-21133 | BLADE, LH | 6 | >=62161 | ≠ | | 0 | 0 |
| 040 | 01173-51028 | BOLT | 8 | | | | 0.022 | 0.0484 |
| 050 | 02118-50100 | NUT | 8 | | | | 0.005 | 0.011 |
| 060 | 04512-50100 | WASHER, SPRING | 8 | | | | 0 | 0 |
| 070 | 92188-21120 | BLADE, RH | 6 | <=56143 | | | 0.33 | 0.726 |
| 070 | 92188-21142 | BLADE, RH | 6 | >=60001 | ← | | 0.5 | 1.1 |
| 070 | 92188-21143 | BLADE, RH | 6 | >=62161 | ≠ | | 0 | 0 |
| 080 | 01173-51028 | BOLT | 8 | | | | 0.022 | 0.0484 |
| 090 | 02118-50100 | NUT | 8 | | | | 0.005 | 0.011 |
| 100 | 04512-50100 | WASHER, SPRING | 8 | | | | 0 | 0 |
| 110 | 34152-57790 | MARK, L | 1 | | | | 0.001 | 0.0022 |
| 120 | 34152-57710 | MARK, R | 1 | | | | 0.001 | 0.0022 |
| 130 | 01153-50850 | BOLT | 2 | | | | 0.02 | 0.044 |
| 140 | 02552-50080 | NUT, LOCK | 2 | | | | 0.005 | 0.011 |

ROTATY COVER

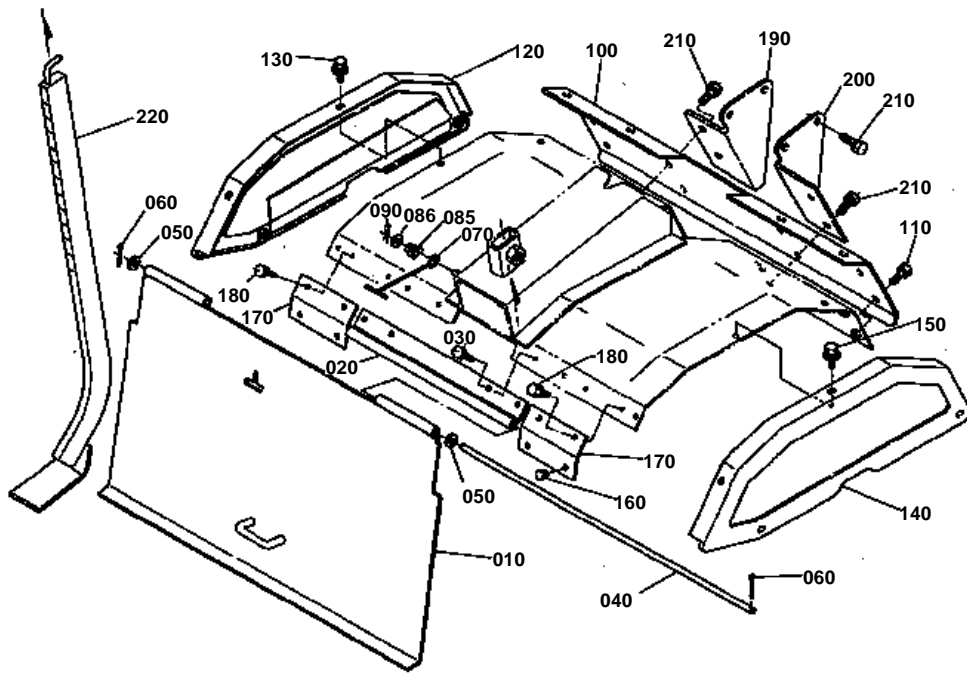


**ROTATY COVER**

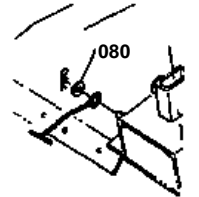
↔ Interchangeable; ≠ not interchangeable; ← new for old; → old for new

| REF.No | Part No. | Description | Q'ty | S.No. | I/C | REMARKS | Weight (kgf) | Weight (lb) |
|--------|-------------|-------------------|------|---------|-----|---------|--------------|-------------|
| 010 | 62425-34110 | HITCH,ROTARY LH | 1 | <=50325 | | | 0 | 0 |
| 010 | 62425-34112 | HITCH,ROTARY LH | 1 | >=50326 | ≠ | | 1.05 | 2.31 |
| 010 | 62425-34130 | HITCH,ROTARY LH | 1 | >=63966 | ≠ | | 0.95 | 2.09 |
| 020 | 62425-34120 | HITCH,ROTARY RH | 1 | <=50325 | | | 0 | 0 |
| 020 | 62425-34122 | HITCH,ROTARY RH | 1 | >=50326 | ≠ | | 0 | 0 |
| 020 | 62425-34140 | HITCH,ROTARY RH | 1 | >=63966 | ≠ | | 1.04 | 2.288 |
| 030 | 01123-51025 | BOLT | 6 | | | | 0.02 | 0.044 |
| 040 | 01173-51000 | BOLT | 2 | | | | 0.06 | 0.132 |
| 050 | 04512-50100 | WASHER,SPRING | 2 | | | | 0 | 0 |
| 060 | 02118-50100 | NUT | 2 | | | | 0.005 | 0.011 |
| 070 | 62425-34200 | COMP.COVER,ROTARY | 1 | <=50325 | | | 3 | 6.6 |
| 070 | 62425-34202 | COMP.COVER,ROTARY | 1 | >=50326 | ≠ | | 0 | 0 |
| 070 | 62425-34300 | COMP.COVER,ROTARY | 1 | >=63966 | ≠ | | 5.4 | 11.88 |
| 080 | 01173-51001 | BOLT | 1 | | | | 0.07 | 0.154 |
| 090 | 01173-51002 | BOLT | 2 | | | | 0.064 | 0.1408 |
| 100 | 04512-50100 | WASHER,SPRING | 5 | | | | 0 | 0 |
| 110 | 02118-50100 | NUT | 3 | | | | 0.005 | 0.011 |
| 120 | 62411-34230 | BOLT,FRONT WHEEL | 1 | | | | 0.099 | 0.2178 |

SIDE COVER



080 04013-50080

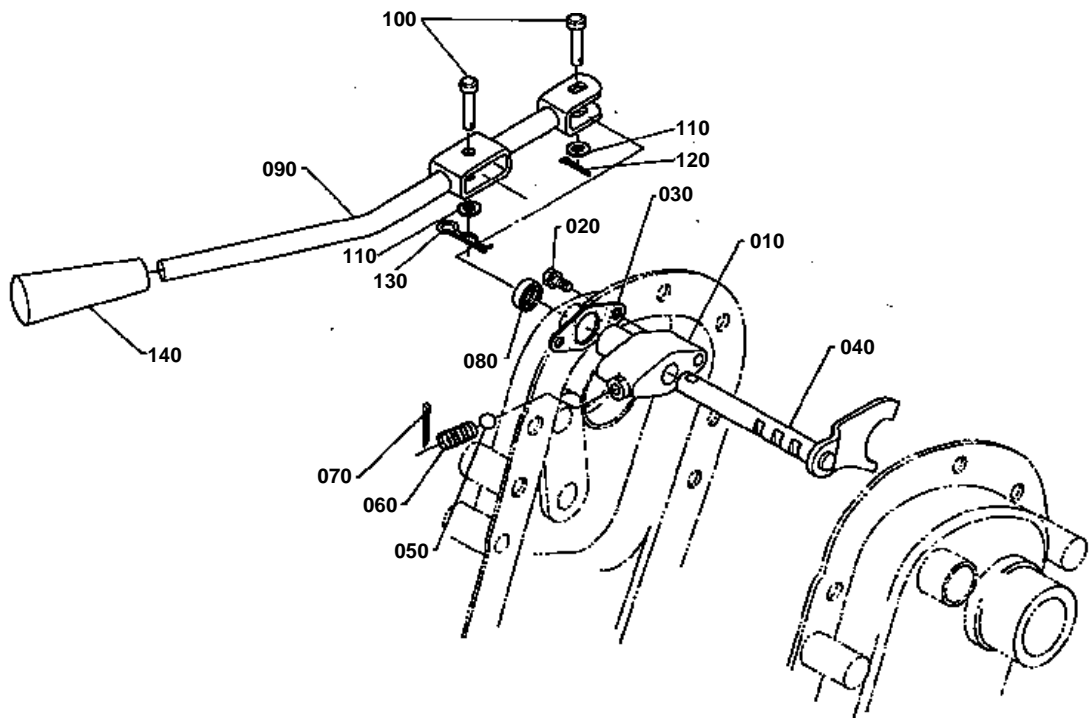


**SIDE COVER**

↔ Interchangeable; ≠ not interchangeable; ← new for old; → old for new

| REF.No | Part No. | Description | Q'ty | S.No. | I/C | REMARKS | Weight (kgf) | Weight (lb) |
|--------|-------------|----------------------|------|---------|-----|---------|--------------|-------------|
| 010 | 62425-34334 | COVER,REAR | 1 | ←=56143 | | | 0 | 0 |
| 010 | 62425-34337 | COVER,REAR | 1 | ≥=60001 | ← | | 0 | 0 |
| 010 | 62425-34610 | COVER,REAR | 1 | ≥=63966 | ≠ | | 2.75 | 6.05 |
| 020 | 62425-34362 | SUPPORT,REAR COVER | 1 | ←=56143 | | | 0.05 | 0.11 |
| 020 | 62425-34343 | SUPPORT,REAR COVER | 1 | ≥=60001 | ← | | 0.36 | 0.792 |
| 020 | 62425-34620 | SUPPORT,REAR COVER | 1 | ≥=63966 | ≠ | | 0.33 | 0.726 |
| 030 | 01202-50616 | BOLT | 4 | | | | 0.006 | 0.0132 |
| 040 | 62425-34350 | PIN | 1 | | | | 0.1 | 0.22 |
| 050 | 04012-50060 | WASHER,PLAIN | 2 | | | | 0.001 | 0.0022 |
| 060 | 05511-51615 | PIN,SPLIT | 2 | | | | 0.001 | 0.0022 |
| 070 | 62425-34360 | HOOK | 1 | ←=56143 | | | 0 | 0 |
| 070 | 62425-34362 | HOOK | 1 | ≥=60001 | ← | | 0.05 | 0.11 |
| 080 | 04013-50080 | WASHER,PLAIN | 1 | ←=56143 | | | 0 | 0 |
| 085 | 62425-34510 | SPRING | 1 | ≥=60001 | | | 0.001 | 0.0022 |
| 086 | 62425-34520 | SPRING,DISK | 1 | ≥=60001 | | | 0.001 | 0.0022 |
| 090 | 05515-50800 | PIN,SNAP | 1 | | | | 0 | 0 |
| 100 | 62425-34372 | COVER,FRONT | 1 | ←=63965 | | | 1.4 | 3.08 |
| 100 | 62425-34630 | COVER,FRONT | 1 | ≥=63966 | ≠ | | 0 | 0 |
| 110 | 01123-50816 | BOLT | 8 | | | | 0.011 | 0.0242 |
| 120 | 62425-34383 | COVER,SIDE LH | 1 | ←=63965 | | | 0 | 0 |
| 120 | 62547-34380 | COVER,SIDE LH | 1 | ≥=63966 | ≠ | | 1.02 | 2.244 |
| 130 | 01021-50612 | BOLT | 3 | | | | 0.006 | 0.0132 |
| 140 | 62425-34393 | COVER,SIDE RH | 1 | ←=63965 | | | 0 | 0 |
| 140 | 62547-34390 | COVER,SIDE RH | 1 | ≥=63966 | ≠ | | 1.04 | 2.288 |
| 150 | 01021-50612 | BOLT | 3 | | | | 0.006 | 0.0132 |
| 160 | 62425-34410 | RUBBER,CUSHION | 4 | | | | 0.001 | 0.0022 |
| 170 | 62425-34420 | HOLDER,REAR.COVER | 2 | ←=56143 | | | 0 | 0 |
| 170 | 62425-34422 | HOLDER,REAR.COVER | 2 | ≥=60001 | ← | | 0.095 | 0.209 |
| 170 | 62547-34422 | HOLDER,REAR.COVER | 2 | ≥=63966 | ≠ | | 0.09 | 0.198 |
| 180 | 01202-50616 | BOLT | 4 | | | | 0.006 | 0.0132 |
| 190 | 62425-34430 | STAY,R.COVER LH | 1 | ←=63965 | | | 0 | 0 |
| 190 | 62547-34430 | STAY,R.COVER LH | 1 | ≥=63966 | ≠ | | 0.33 | 0.726 |
| 200 | 62425-34440 | STAY,ROTARY.COVER.RH | 1 | ←=63965 | | | 0 | 0 |
| 200 | 62547-34440 | STAY,ROTARY.COVER.RH | 1 | ≥=63966 | ≠ | | 0.33 | 0.726 |
| 210 | 01123-50820 | BOLT | 8 | | | | 0.011 | 0.0242 |
| 220 | 62425-35410 | DEPTH ADJUSTING SKID | 1 | ←=63965 | | | 0 | 0 |
| 220 | 62425-35420 | DEPTH ADJUSTING SKID | 1 | ≥=63966 | ≠ | | 2 | 4.4 |

TINE CHANGE LEVER



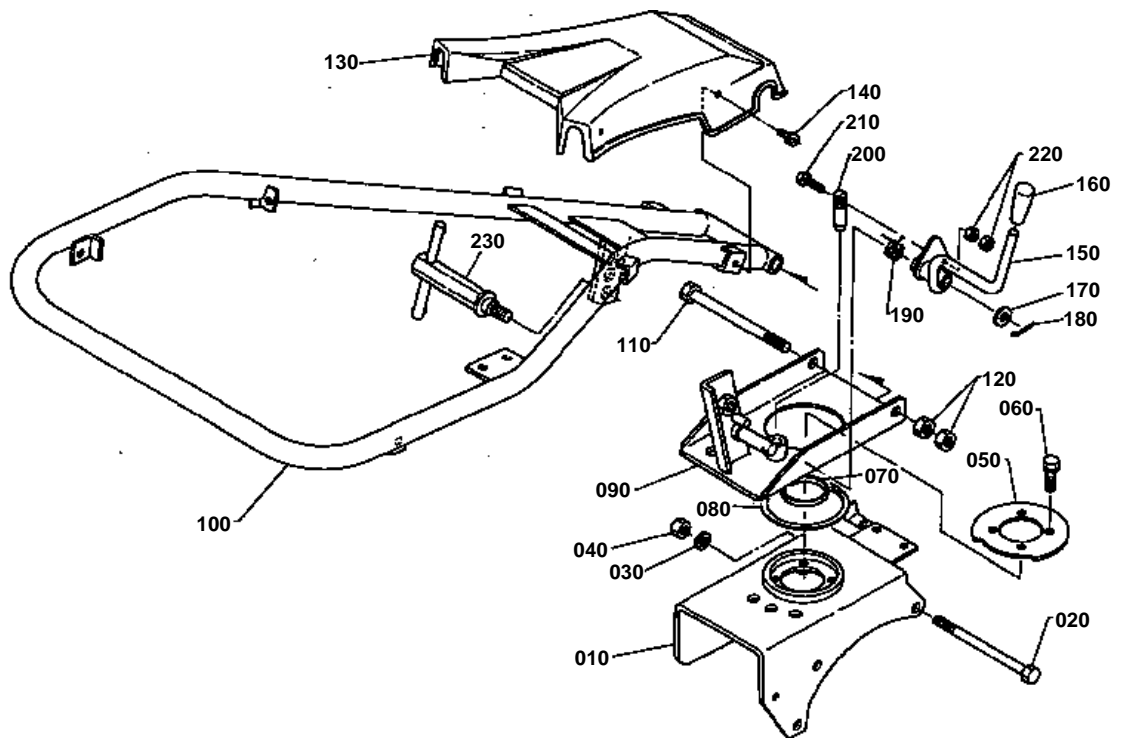


TINE CHANGE LEVER

↔ Interchangeable; ≠ not interchangeable; ← new for old; → old for new

| REF.No | Part No. | Description | Q'ty | S.No. | I/C | REMARKS | Weight (kgf) | Weight (lb) |
|--------|-------------|------------------|------|-------|-----|---------|--------------|-------------|
| 010 | 62411-32150 | HOLDER,SHIFT ROD | 1 | | | | 0.31 | 0.682 |
| 020 | 62425-32160 | BOLT,WITH SEAL | 2 | | | | 0.015 | 0.033 |
| 030 | 62411-32160 | PACKING | 1 | | | | 0.001 | 0.0022 |
| 040 | 62425-32210 | COMP FORK | 1 | | | | 0.15 | 0.33 |
| 050 | 07715-01605 | BALL | 1 | | | | 0.003 | 0.0066 |
| 060 | 62231-18530 | SPRING | 1 | | | | 0.01 | 0.022 |
| 070 | 05511-50325 | PIN,SPLIT | 1 | | | | 0.002 | 0.0044 |
| 080 | 09230-12185 | SEAL,OIL | 1 | | | | 0.002 | 0.0044 |
| 090 | 62425-36110 | LEVER,SHIFT | 1 | | | | 0.3 | 0.66 |
| 100 | 05122-50625 | PIN,JOINT | 2 | | | | 0.006 | 0.0132 |
| 110 | 04013-50060 | WASHER,PLAIN | 2 | | | | 0 | 0 |
| 120 | 05511-51612 | PIN,SPLIT | 1 | | | | 0.001 | 0.0022 |
| 130 | 62101-42290 | PIN,SET | 1 | | | | 0.001 | 0.0022 |
| 140 | 06914-00120 | GRIP,LEVER | 1 | | | | 0.018 | 0.0396 |

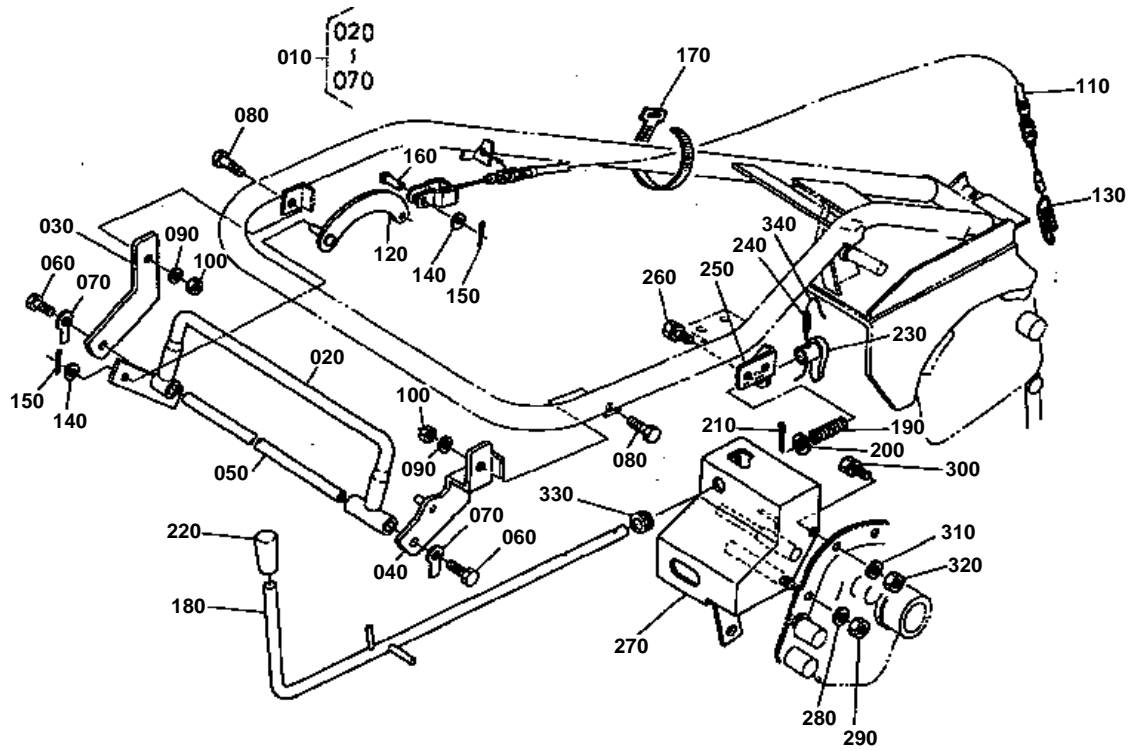
HANDLE



**HANDLE**

↔ Interchangeable; ≠ not interchangeable; ← new for old; → old for new

| REF.No | Part No. | Description | Q'ty | S.No. | I/C | REMARKS | Weight (kgf) | Weight (lb) |
|--------|-------------|--------------------|------|---------|-----|---------|--------------|-------------|
| 010 | 62425-41110 | COMP.HOLDER,HANDLE | 1 | <=52135 | | | 0 | 0 |
| 010 | 62425-41113 | COMP.HOLDER,HANDLE | 1 | >=55001 | ↔ | | 0 | 0 |
| 010 | 62425-41150 | COMP.HOLDER,HANDLE | 1 | >=63929 | ≠ | | 2.8 | 6.16 |
| 020 | 62411-41120 | BOLT | 2 | | | | 0.093 | 0.2046 |
| 030 | 04512-50100 | WASHER,SPRING | 2 | | | | 0 | 0 |
| 040 | 02118-50100 | NUT | 2 | | | | 0.005 | 0.011 |
| 050 | 62425-41130 | PLATE | 1 | | | | 0.2 | 0.44 |
| 060 | 01123-50830 | BOLT | 4 | | | | 0.015 | 0.033 |
| 070 | 62411-41140 | SPACER | 1 | | | | 0.029 | 0.0638 |
| 080 | 62411-41160 | SHIM | 2 | | | | 0.005 | 0.011 |
| 090 | 62425-41215 | COMP.FRAME,HANDLE | 1 | <=50875 | | | 0 | 0 |
| 090 | 62425-41216 | COMP.FRAME,HANDLE | 1 | >=50876 | ≠ | | 1.84 | 4.048 |
| 090 | 62425-41230 | COMP.FRAME,HANDLE | 1 | >=63929 | ≠ | | 1.875 | 4.125 |
| 100 | 62425-41310 | COMP.HANDLE | 1 | <=52135 | | | 4.4 | 9.68 |
| 100 | 62425-41315 | COMP.HANDLE | 1 | >=55001 | ← | | 4.8 | 10.56 |
| 100 | 62425-41370 | COMP.HANDLE | 1 | >=63929 | ≠ | | 4.6 | 10.12 |
| 110 | 62411-41320 | BOLT | 1 | | | | 0.144 | 0.3168 |
| 120 | 02174-50120 | NUT | 2 | | | | 0.01 | 0.022 |
| 130 | 62425-41340 | COVER,HANDLE | 1 | <=63928 | | | 0 | 0 |
| 130 | 62418-41340 | COVER,HANDLE | 1 | >=63929 | ≠ | | 0.2 | 0.44 |
| 140 | 03034-50612 | SCREW,WITH WASHER | 4 | | | | 0.006 | 0.0132 |
| 150 | 62425-41350 | LEVER,HANDLE | 1 | <=50875 | | | 0.25 | 0.55 |
| 150 | 62425-41352 | LEVER,HANDLE | 1 | >=50876 | ≠ | | 0.24 | 0.528 |
| 160 | 06914-00100 | GRIP,LEVER | 1 | | | | 0.02 | 0.044 |
| 170 | 04013-50100 | WASHER,PLAIN | 1 | | | | 0 | 0 |
| 180 | 05511-50318 | PIN,SPLIT | 1 | | | | 0.001 | 0.0022 |
| 190 | 62411-41360 | SPRING | 1 | | | | 0.006 | 0.0132 |
| 200 | 62081-41320 | PIN,LOCK | 1 | | | | 0.05 | 0.11 |
| 210 | 62081-41360 | BOLT | 1 | | | | 0.008 | 0.0176 |
| 220 | 02014-50060 | NUT | 2 | | | | 0.003 | 0.0066 |
| 230 | 62425-41360 | BOLT | 1 | <=55786 | | | 0.435 | 0.957 |
| 230 | 62425-41362 | BOLT | 1 | >=55787 | ↔ | | 0 | 0 |



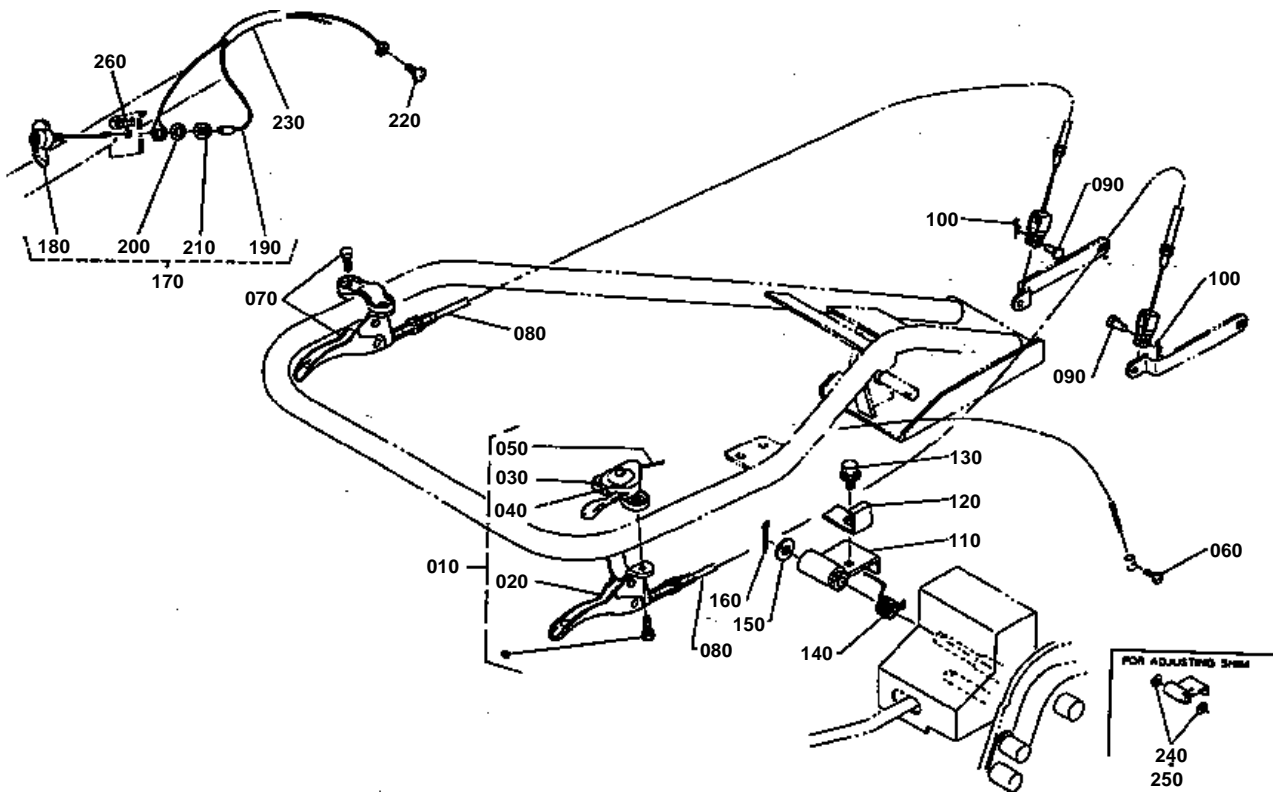


CHANGE LEVER 1

↔ Interchangeable; ≠ not interchangeable; ← new for old; → old for new

| REF.No | Part No. | Description | Q'ty | S.No. | I/C | REMARKS | Weight (kgf) | Weight (lb) |
|--------|-------------|----------------------|------|-------|-----|------------------------|--------------|-------------|
| 010 | 62425-42200 | ASSY MAIN CLUTCH | 1 | | | | 1.3 | 2.86 |
| 020 | 62425-42210 | LEVER,MAIN CLUTCH | 1 | | | | 0.35 | 0.77 |
| 030 | 62425-42220 | STAY(MAIN CLUTCH) | 1 | | | | 0.175 | 0.385 |
| 040 | 62425-42230 | STAY(MAIN CLUTCH) | 1 | | | | 0.185 | 0.407 |
| 050 | 62425-42240 | BEAM(STAY MAIN CLUTC | 1 | | | | 0.55 | 1.21 |
| 060 | 01153-50820 | BOLT | 2 | | | | 0.012 | 0.0264 |
| 070 | 04111-50080 | WASHER | 2 | | | | 0.001 | 0.0022 |
| 080 | 01153-50820 | BOLT | 2 | | | | 0.012 | 0.0264 |
| 090 | 04512-50080 | WASHER,SPRING | 2 | | | | 0 | 0 |
| 100 | 02114-50080 | NUT | 2 | | | | 0.005 | 0.011 |
| 110 | 62425-42260 | WIRE,MAIN CLUTCH | 1 | | | | 0.19 | 0.418 |
| 120 | 61811-42540 | SUPPORT(PTO WIRE) | 1 | | | | 0.06 | 0.132 |
| 130 | 62551-42130 | SPRING,MAIN CLUTCH | 1 | | | | 0.03 | 0.066 |
| 140 | 04013-50060 | WASHER,PLAIN | 2 | | | | 0 | 0 |
| 150 | 05511-51612 | PIN,SPLIT | 2 | | | | 0.001 | 0.0022 |
| 160 | 05122-50618 | PIN,JOINT | 1 | | | | 0 | 0 |
| 170 | 63763-41370 | BAND,WIRE | 2 | | | | 0.002 | 0.0044 |
| 180 | 62425-42310 | LEVER,MAIN SHIFT | 1 | | | | 0.6 | 1.32 |
| 190 | 62411-42320 | SPRING | 1 | | | | 0.01 | 0.022 |
| 200 | 04013-50120 | WASHER,PLAIN | 1 | | | | 0 | 0 |
| 210 | 05511-50320 | PIN,SPLIT | 1 | | | | 0.002 | 0.0044 |
| 220 | 06914-00120 | GRIP,LEVER | 1 | | | | 0.018 | 0.0396 |
| 230 | 62425-42320 | ARM,SPEED CHANGE | 1 | | | | 0.04 | 0.088 |
| 240 | 05411-00518 | PIN,SPRING | 1 | | | | 0.002 | 0.0044 |
| 250 | 62425-42360 | SUPPORT,LEVER | 1 | | | | 0.09 | 0.198 |
| 260 | 01123-50820 | BOLT | 2 | | | | 0.011 | 0.0242 |
| 270 | 62425-42370 | GUIDE,LEVER | 1 | | | | 0 | 0 |
| 280 | 04512-50100 | WASHER,SPRING | 1 | | | | 0 | 0 |
| 290 | 02118-50100 | NUT | 1 | | | | 0.005 | 0.011 |
| 300 | 01121-50820 | BOLT | 1 | | | | 0.015 | 0.033 |
| 310 | 04512-50080 | WASHER,SPRING | 1 | | | | 0 | 0 |
| 320 | 02114-50080 | NUT | 1 | | | | 0.005 | 0.011 |
| 330 | 62425-42350 | HOLDER,LEVER | 2 | | | | 0.002 | 0.0044 |
| 340 | 99999-99999 | BLANK | 1 | | | WIRE, OBTAINED LOCALLY | 0 | 0 |

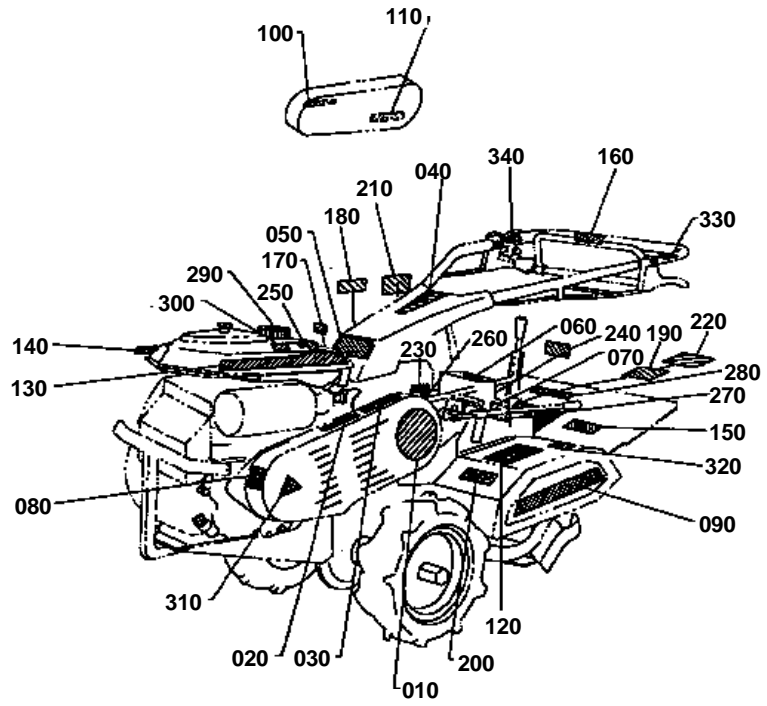
CHANGE LEVER 2



**CHANGE LEVER 2**

↔ Interchangeable; ≠ not interchangeable; ← new for old; → old for new

| REF.No | Part No. | Description | Q'ty | S.No. | I/C | REMARKS | Weight (kgf) | Weight (lb) |
|--------|-------------|----------------------|------|---------|-----|---------|--------------|-------------|
| 010 | 62425-42900 | ASSY LEVER,THR0TTLE | 1 | <=56143 | | | 0 | 0 |
| 010 | 62425-43200 | ASSY LEVER,THR0TTLE | 1 | >=60001 | ← | | 0 | 0 |
| 010 | 62421-42902 | ASSY LEVER,THR0TTLE | 1 | >=60217 | ↔ | | 0.45 | 0.99 |
| 020 | 61321-42910 | LEVER,LH | 1 | | | | 0.36 | 0.792 |
| 030 | 61321-42920 | LEVER,THR0TTLE | 1 | <=56143 | | | 0.11 | 0.242 |
| 030 | 62425-43210 | LEVER,THR0TTLE | 1 | >=60001 | ← | | 0.1 | 0.22 |
| 030 | 62421-42922 | LEVER,THR0TTLE | 1 | >=60217 | ↔ | | 0.1 | 0.22 |
| 040 | 62425-42910 | LABEL,THR0TTLE | 1 | <=56143 | | | 0 | 0 |
| 040 | 62425-47570 | LABEL,THR0TTLE | 1 | >=60001 | ← | | 0.001 | 0.0022 |
| 050 | 62421-42922 | WIRE,THR0TTLE | 1 | | | | 0.1 | 0.22 |
| 060 | 01222-50612 | BOLT | 1 | | | | 0.004 | 0.0088 |
| 070 | 62671-42940 | LEVER,RH | 1 | | | | 0.27 | 0.594 |
| 080 | 62425-42930 | WIRE,STEERING CLUTCH | 2 | | | | 0.24 | 0.528 |
| 090 | 05122-50614 | PIN,JOINT | 2 | | | | 0.004 | 0.0088 |
| 100 | 62101-42290 | PIN,SET | 2 | | | | 0.001 | 0.0022 |
| 110 | 62425-43410 | ARM,CHECK | 1 | | | | 0.2 | 0.44 |
| 120 | 62425-43420 | INTERLOCKER | 1 | | | | 0.04 | 0.088 |
| 130 | 01121-50816 | BOLT | 1 | | | | 0.013 | 0.0286 |
| 140 | 62425-43430 | SPRING,INTERLOKER | 1 | | | | 0.011 | 0.0242 |
| 150 | 04013-50120 | WASHER,PLAIN | 1 | | | | 0 | 0 |
| 160 | 05511-50318 | PIN,SPLIT | 1 | | | | 0.001 | 0.0022 |
| 170 | 62425-55100 | ASSY SWITCH,STOP | 1 | | | | 0.074 | 0.1628 |
| 180 | 61149-55210 | SWITCH,ENGINE STOP | 1 | | | | 0 | 0 |
| 190 | 62425-55120 | CORD,STOP-SWITCH | 1 | | | | 0 | 0 |
| 200 | 04512-50080 | WASHER,SPRING | 1 | | | | 0 | 0 |
| 210 | 02112-50080 | NUT | 1 | | | | 0.003 | 0.0066 |
| 220 | 03017-50812 | SCREW,PAN HEAD | 1 | | | | 0.009 | 0.0198 |
| 230 | 62425-55130 | TUBE,CORRUGATE | 1 | | | | 0.003 | 0.0066 |
| 240 | 62425-43450 | SHIM | 2 | | | | 0.001 | 0.0022 |
| 250 | 62425-43460 | SHIM | 1 | >=50876 | | | 0.003 | 0.0066 |
| 260 | 61435-48230 | LABEL,ENGINE SWITCH | 1 | | | | 0.001 | 0.0022 |



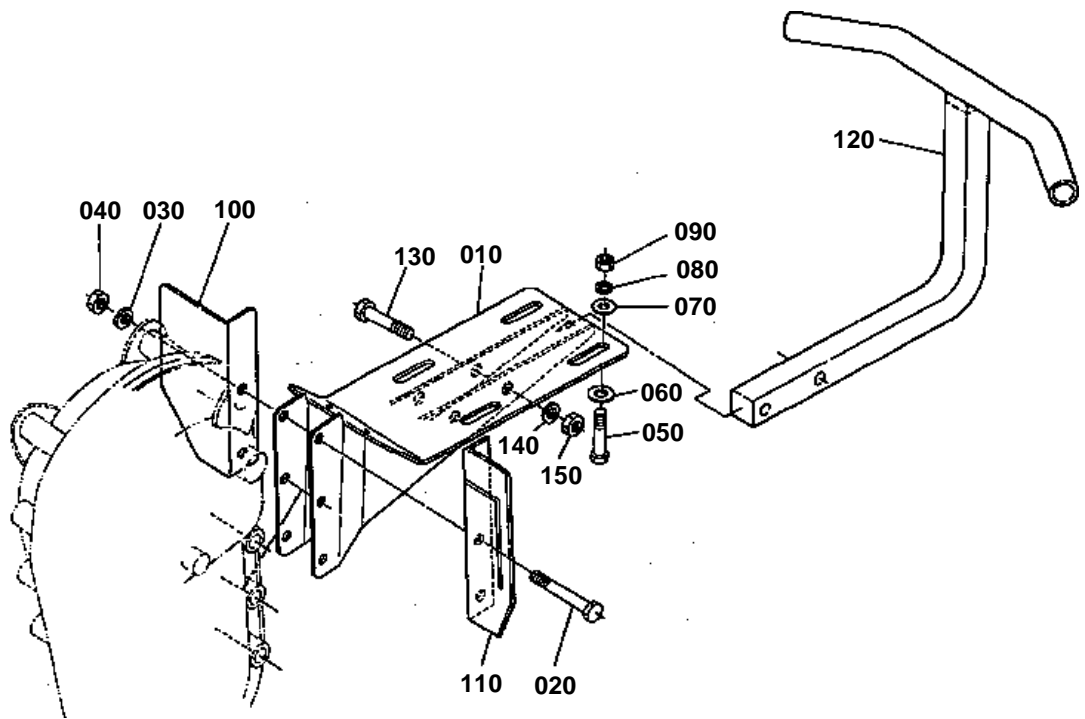


LABEL

↔ Interchangeable; ≠ not interchangeable; ← new for old; → old for new

| REF.No | Part No. | Description | Q'ty | S.No. | I/C | REMARKS | Weight (kgf) | Weight (lb) |
|--------|-------------|----------------------|------|--------|-----|---------|--------------|-------------|
| 010 | 62425-47110 | MARK,FORM | 1 | | | | 0.005 | 0.011 |
| 020 | 61149-48140 | LABEL,CAUTION | 1 | ≤61870 | | | 0 | 0 |
| 020 | 61149-48143 | LABEL,CAUTION | 1 | ≥61871 | ← | | 0.002 | 0.0044 |
| 030 | 62425-47480 | LABEL | 1 | ≤62240 | | | 0 | 0 |
| 030 | 62425-47483 | LABEL | 1 | ≥62241 | ← | | 0.001 | 0.0022 |
| 040 | 62425-47120 | NAME PLATE,MAIN | 1 | | | | 0 | 0 |
| 050 | 62425-47130 | MARK,KUBOTA | 1 | ≤63420 | | | 0.003 | 0.0066 |
| 050 | 62425-47132 | MARK,HANDLE COVER | 1 | ≥63421 | ≠ | | 0.003 | 0.0066 |
| 060 | 62425-47142 | LABEL,MAIN SHIFT | 1 | | | | 0.001 | 0.0022 |
| 070 | 62425-47152 | LABEL | 1 | | | | 0.005 | 0.011 |
| 080 | 61435-48190 | LABEL,ENGINE OIL | 1 | | | | 0.001 | 0.0022 |
| 090 | 62425-47160 | MARK,KUBOTA | 2 | ≤63420 | | | 0 | 0 |
| 090 | 62425-47162 | MARK,SIDE COVER | 2 | ≥63421 | ≠ | | 0 | 0 |
| 100 | 62425-47170 | LABEL,CHAIN CASE | 1 | | | | 0.001 | 0.0022 |
| 110 | 62425-47180 | LABEL,CHAIN CASE | 1 | | | | 0.002 | 0.0044 |
| 120 | 62425-47192 | LABEL | 1 | | | | 0.005 | 0.011 |
| 130 | 62425-47250 | LABEL,SIDE | 1 | ≤63420 | | | 0.006 | 0.0132 |
| 130 | 62425-47252 | MARK,TANK L | 1 | ≥63421 | ≠ | | 0 | 0 |
| 140 | 62425-47260 | LABEL,SIDE | 1 | ≤63420 | | | 0.015 | 0.033 |
| 140 | 62425-47262 | MARK,TANK R | 1 | ≥63421 | ≠ | | 0 | 0 |
| 150 | 62425-47270 | MARK,CAUTION | 1 | ≥62240 | | | 0 | 0 |
| 150 | 62425-47273 | MARK,CAUTION | 1 | ≥62241 | ← | | 0.001 | 0.0022 |
| 160 | 62425-47290 | LABEL,CLUTCH | 1 | ≤56143 | | | 0.001 | 0.0022 |
| 160 | 62425-47293 | LABEL,CLUTCH | 1 | ≥60001 | ← | | 0.003 | 0.0066 |
| 160 | 62425-47620 | LABEL,MAIN CLUTCH | 1 | ≥63966 | ≠ | | 0.001 | 0.0022 |
| 170 | 62425-47320 | LABEL,CHOKE | 1 | | | | 0.001 | 0.0022 |
| 180 | 62425-47330 | LABEL,HANDLE | 1 | | | | 0.002 | 0.0044 |
| 190 | 62425-47340 | LABEL | 1 | ≤50325 | | | 0.001 | 0.0022 |
| 190 | 62425-47342 | LABEL | 1 | ≥50326 | ≠ | | 0 | 0 |
| 190 | 62425-47343 | LABEL | 1 | ≥55787 | ← | | 0.001 | 0.0022 |
| 200 | 62425-47350 | LABEL,CAUTION | 1 | ≤55736 | | | 0.002 | 0.0044 |
| 200 | 62425-47353 | LABEL,CAUTION | 1 | ≥55737 | ← | | 0 | 0 |
| 200 | 62425-47354 | LABEL,CAUTION | 1 | ≥62241 | ← | | 0.003 | 0.0066 |
| 210 | 62425-47380 | LABEL,SUB SP-CHANGE | 1 | | | | 0.002 | 0.0044 |
| 220 | 62425-47390 | LABEL,TILLAGE | 1 | | | | 0.001 | 0.0022 |
| 230 | 62425-47412 | MARK,KUBOTA | 1 | ≤63420 | | | 0.001 | 0.0022 |
| 230 | 62425-47413 | MARK,KUBOTA | 1 | ≥63421 | ≠ | | 0.001 | 0.0022 |
| 240 | 62425-47420 | LABEL,R.CAUTION | 1 | ≤55786 | | | 0 | 0 |
| 240 | 62425-47423 | LABEL,R.CAUTION | 1 | ≥55787 | ← | | 0 | 0 |
| 240 | 62425-47424 | LABEL,R.CAUTION | 1 | ≥62241 | ← | | 0.001 | 0.0022 |
| 250 | 62425-47430 | LABEL,CAUTION | 1 | ≤62240 | | | 0 | 0 |
| 250 | 62425-47433 | LABEL,CAUTION | 1 | ≥62241 | ← | | 0.001 | 0.0022 |
| 260 | 62425-47440 | LABEL | 2 | | | | 0.001 | 0.0022 |
| 270 | 62425-47460 | LABEL,SAFETY | 1 | ≤62240 | | | 0 | 0 |
| 270 | 62425-47465 | LABEL,SAFETY | 1 | ≥62241 | ← | | 0.002 | 0.0044 |
| 280 | 62425-47470 | LABEL,REAR.C.CAUTION | 1 | ≤62240 | | | 0 | 0 |
| 280 | 62425-47472 | LABEL,REAR.C.CAUTION | 1 | ≥62241 | ← | | 0.001 | 0.0022 |
| 290 | 62425-47490 | LABEL,FUEL | 1 | | | | 0.003 | 0.0066 |
| 300 | 62425-47610 | LABEL,TANK | 1 | ≥60001 | | | 0.001 | 0.0022 |
| 310 | 62425-47580 | LABEL,OPEI | 1 | ≥60001 | | | 0.001 | 0.0022 |
| 320 | 62425-47590 | LABEL,ROTARY COVER | 1 | ≥62241 | | | 0.003 | 0.0066 |
| 330 | 62425-47550 | LABEL | 1 | ≥60001 | | | 0.002 | 0.0044 |
| 340 | 62425-47560 | LABEL | 1 | ≥60001 | | | 0.002 | 0.0044 |

FRONT FRAME



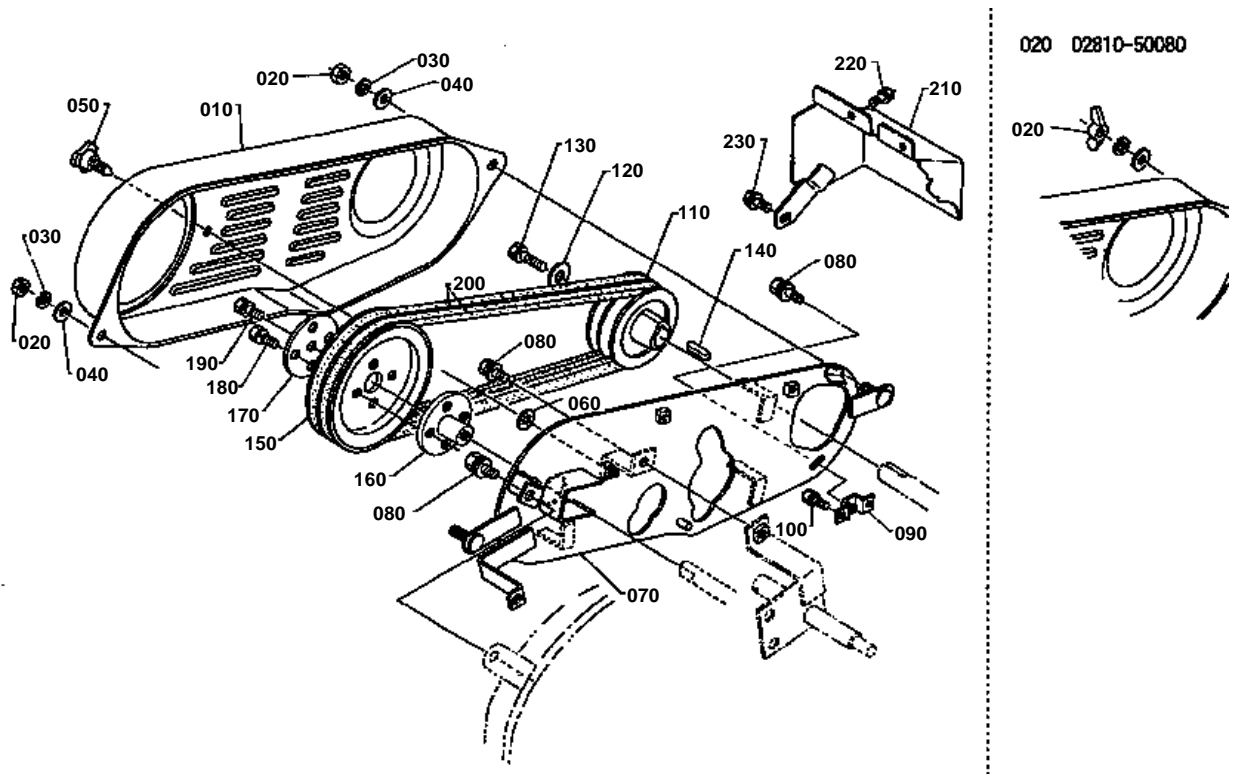


FRONT FRAME

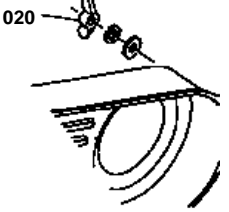
↔ Interchangeable; ≠ not interchangeable; ← new for old; → old for new

| REF.No | Part No. | Description | Q'ty | S.No. | I/C | REMARKS | Weight (kgf) | Weight (lb) |
|--------|-------------|------------------|------|--------|-----|---------|--------------|-------------|
| 010 | 62425-51110 | COMP.FRAME,FRONT | 1 | ≤63965 | | | 3.38 | 7.436 |
| 010 | 62425-51150 | COMP.FRAME,FRONT | 1 | ≥63966 | ≠ | | 0 | 0 |
| 020 | 01173-51070 | BOLT | 3 | | | | 0.044 | 0.0968 |
| 030 | 04512-50100 | WASHER,SPRING | 3 | | | | 0 | 0 |
| 040 | 02118-50100 | NUT | 3 | | | | 0.005 | 0.011 |
| 050 | 01173-51040 | BOLT | 4 | | | | 0.028 | 0.0616 |
| 060 | 04015-50100 | WASHER,PLAIN | 4 | | | | 0.016 | 0.0352 |
| 070 | 04013-50100 | WASHER,PLAIN | 4 | | | | 0 | 0 |
| 080 | 04512-50100 | WASHER,SPRING | 4 | | | | 0 | 0 |
| 090 | 02118-50100 | NUT | 4 | | | | 0.005 | 0.011 |
| 100 | 62425-51120 | FENDER,AUX LH | 1 | ≤63965 | | | 0.11 | 0.242 |
| 100 | 62425-51160 | FENDER,AUX LH | 1 | ≥63966 | ≠ | | 0.1 | 0.22 |
| 110 | 62425-51130 | FENDER,AUX RH | 1 | ≤63965 | | | 0.24 | 0.528 |
| 110 | 62425-51170 | FENDER,AUX RH | 1 | ≥63966 | ≠ | | 0 | 0 |

BELT COVER



020 02810-50080

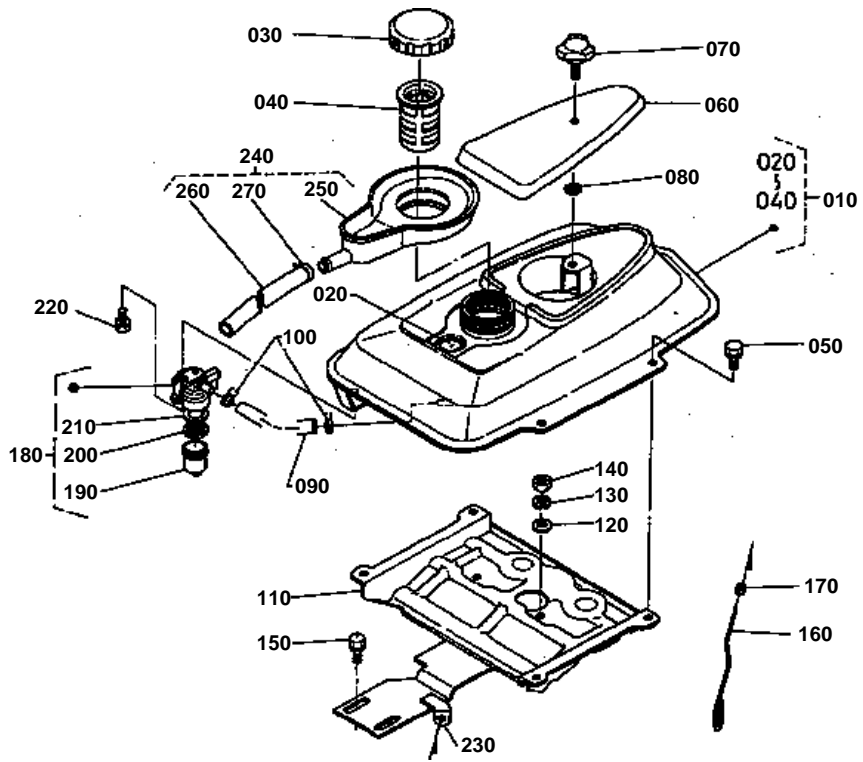


**BELT COVER**

↔ Interchangeable; ≠ not interchangeable; ← new for old; → old for new

| REF.No | Part No. | Description | Q'ty | S.No. | I/C | REMARKS | Weight (kgf) | Weight (lb) |
|--------|-------------|----------------------|------|--------|-----|---------|--------------|-------------|
| 010 | 62425-54310 | COVER,BELT | 1 | ≤63965 | | | 1.19 | 2.618 |
| 010 | 62428-54310 | COVER,BELT | 1 | ≥63966 | ≠ | | 1.19 | 2.618 |
| 020 | 02810-50080 | NUT,WING | 2 | ≤56143 | | | 0.014 | 0.0308 |
| 020 | 02114-50080 | NUT | 2 | ≥60001 | ≠ | | 0.005 | 0.011 |
| 030 | 04512-50080 | WASHER,SPRING | 2 | | | | 0 | 0 |
| 040 | 04013-50080 | WASHER,PLAIN | 2 | | | | 0 | 0 |
| 050 | 63763-52570 | GRIP,TOOL CASE | 1 | | | | 0.022 | 0.0484 |
| 060 | 62151-54540 | STOPPER | 1 | | | | 0.002 | 0.0044 |
| 070 | 62425-54322 | COVER,REAR | 1 | ≤63965 | | | 1.15 | 2.53 |
| 070 | 62425-54350 | COVER,REAR | 1 | ≥63966 | ≠ | | 1.18 | 2.596 |
| 080 | 01121-50820 | BOLT | 4 | | | | 0.015 | 0.033 |
| 090 | 62425-54330 | STAY,REAR.COVER | 1 | | | | 0.18 | 0.396 |
| 100 | 01123-50814 | BOLT | 2 | | | | 0 | 0 |
| 110 | 62421-62110 | PULLEY,ENGINE | 1 | | | | 0.954 | 2.0988 |
| 120 | 61061-62120 | WASHER,ENGINE PULLEY | 1 | | | | 0 | 0 |
| 130 | 01123-50818 | BOLT | 1 | | | | 0.012 | 0.0264 |
| 140 | 05711-00735 | KEY,FEATHER | 1 | | | | 0.012 | 0.0264 |
| 150 | 62421-62212 | PULLEY | 2 | | | | 0.36 | 0.792 |
| 160 | 62425-62230 | BOSS,PULLEY | 1 | | | | 0.128 | 0.2816 |
| 170 | 61041-61240 | WASHER | 1 | | | | 0.03 | 0.066 |
| 180 | 01023-50616 | BOLT | 4 | | | | 0.005 | 0.011 |
| 190 | 01123-50818 | BOLT | 1 | | | | 0.012 | 0.0264 |
| 200 | 62421-62310 | BELT,V | 2 | | | | 0.12 | 0.264 |

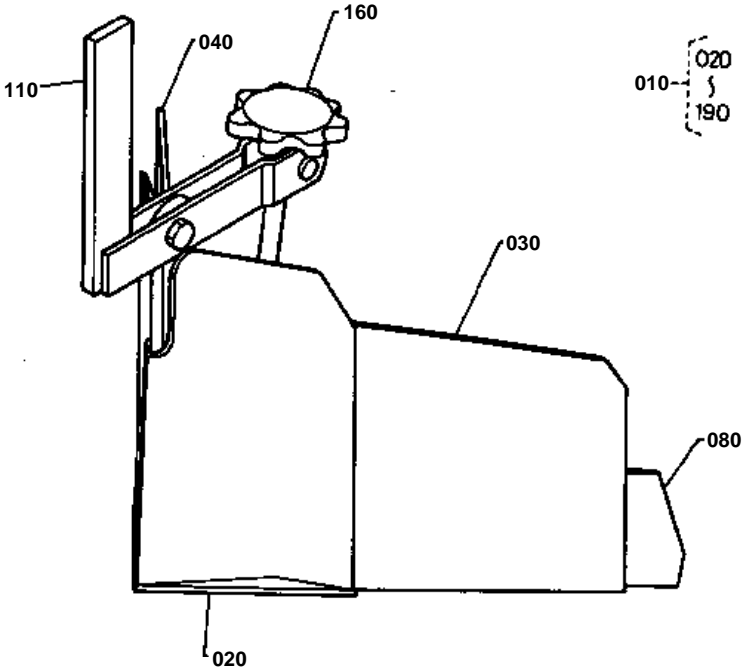
FUEL TANK



**FUEL TANK**

↔ Interchangeable; ≠ not interchangeable; ← new for old; → old for new

| REF.No | Part No. | Description | Q'ty | S.No. | I/C | REMARKS | Weight (kgf) | Weight (lb) |
|--------|-------------|--------------------|------|---------|-----|---------|--------------|-------------|
| 010 | 62425-54700 | ASSY TANK,FUEL | 1 | | | | 2 | 4.4 |
| 020 | 62411-54750 | GAUGE,FUEL | 1 | <=63965 | | | 0 | 0 |
| 020 | 18151-41700 | ASSY GAUGE,FUEL | 1 | >=63966 | ↔ | | 0.015 | 0.033 |
| 030 | 41081-81400 | ASSY CAP,FUEL TANK | 1 | | | | 0.06 | 0.132 |
| 040 | 13621-41350 | FILTER,FUEL | 1 | | | | 0.01 | 0.022 |
| 050 | 01125-50814 | BOLT | 4 | <=61870 | | | 0.01 | 0.022 |
| 050 | 01125-50816 | BOLT | 4 | >=61871 | | | 0 | 0 |
| 060 | 62425-54720 | COVER,TANK | 1 | <=69365 | | | 0 | 0 |
| 060 | 62418-54720 | COVER,TANK | 1 | >=69366 | ≠ | | 0.15 | 0.33 |
| 070 | 63763-52570 | GRIP,TOOL CASE | 1 | | | | 0.022 | 0.0484 |
| 080 | 62151-54540 | STOPPER | 1 | | | | 0.002 | 0.0044 |
| 090 | 13585-42120 | PIPE,FUEL | 1 | | | | 0.006 | 0.0132 |
| 100 | 62411-54730 | CLIP,PIPE | 2 | | | | 0.005 | 0.011 |
| 110 | 62425-54910 | STAY,TANK | 1 | <=69365 | | | 0 | 0 |
| 110 | 62425-54930 | STAY,TANK | 1 | >=69366 | ≠ | | 1.35 | 2.97 |
| 120 | 04013-50080 | WASHER,PLAIN | 4 | | | | 0 | 0 |
| 130 | 04512-50080 | WASHER,SPRING | 2 | | | | 0 | 0 |
| 140 | 02118-50080 | NUT | 2 | | | | 0.006 | 0.0132 |
| 150 | 01121-50820 | BOLT | 2 | | | | 0.015 | 0.033 |
| 160 | 13382-57810 | ROD,CHOKE | 1 | <=56143 | | | 0.01 | 0.022 |
| 160 | 62425-54920 | ROD,CHOKE | 1 | >=60001 | ← | | 0.01 | 0.022 |
| 170 | 13661-57820 | CUSHION,CHOKE ROD | 1 | | | | 0.002 | 0.0044 |
| 180 | 13415-43010 | ASSY FILTER,FUEL | 1 | <=62110 | | | 0 | 0 |
| 180 | 13422-43010 | ASSY FILTER,FUEL | 1 | >=62111 | ≠ | | 0.08 | 0.176 |
| 190 | 13415-43130 | POT,FILTER | 1 | <=62110 | | | 0 | 0 |
| 190 | 12454-43130 | POT,FILTER | 1 | >=62111 | ≠ | | 0.007 | 0.0154 |
| 200 | 12866-43140 | GASKET | 1 | | | | 0.001 | 0.0022 |
| 210 | 12454-43160 | ELEMENT,FILTER | 1 | | | | 0.001 | 0.0022 |
| 220 | 01021-50614 | BOLT | 1 | | | | 0.006 | 0.0132 |
| 230 | 13816-67580 | CLAMP,CORD | 1 | | | | 0.004 | 0.0088 |
| 240 | 62425-54800 | ASSY TRAY,FUEL | 1 | >=60001 | | | 0.14 | 0.308 |
| 250 | 62425-54810 | TRAY,FUEL | 1 | >=60001 | | | 0.05 | 0.11 |
| 260 | 62425-54820 | PIPE,DISCHARGE | 1 | >=60001 | | | 0.075 | 0.165 |
| 270 | 54721-38380 | BAND | 1 | >=60001 | | | 0.002 | 0.0044 |

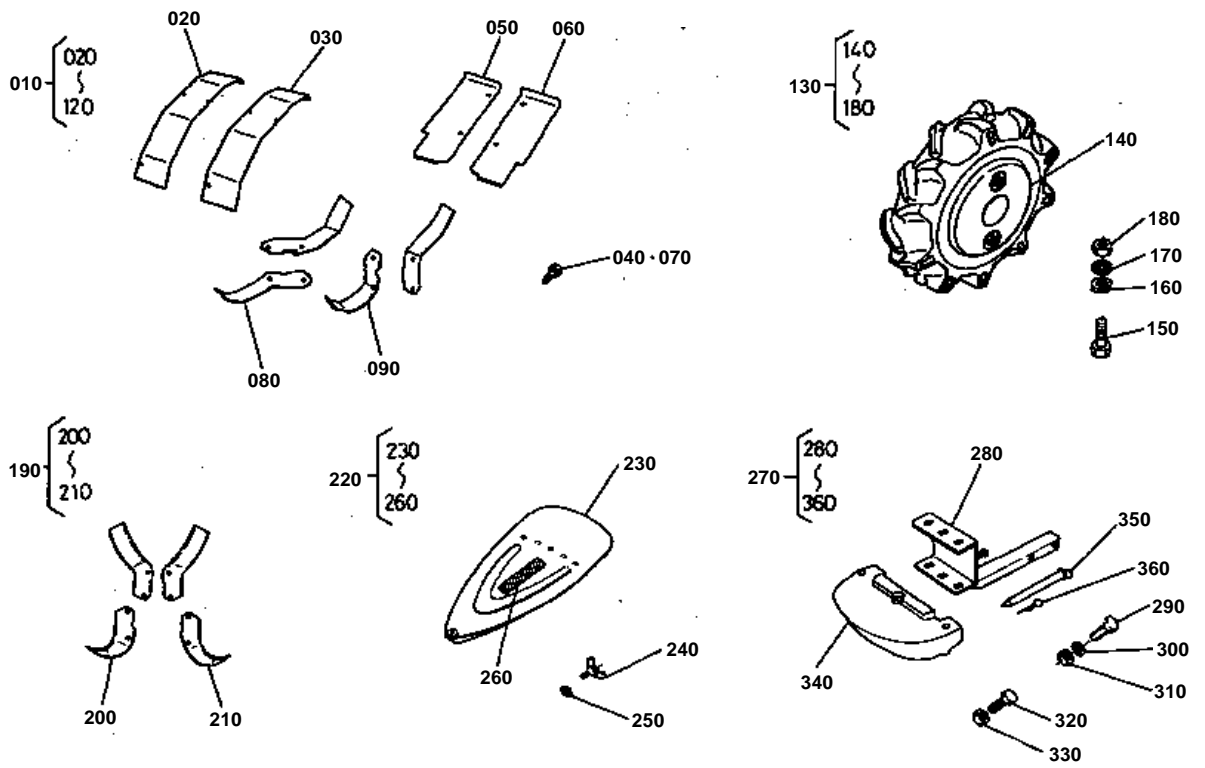


**FURROWER [B TYPE]**

↔ Interchangeable; ≠ not interchangeable; ← new for old; → old for new

| REF.No | Part No. | Description | Q'ty | S.No. | I/C | REMARKS | Weight (kgf) | Weight (lb) |
|--------|-------------|-----------------|------|-------|-----|-------------------|--------------|-------------|
| 010 | 92221-30210 | FURROWER | 1 | | | | 0 | 0 |
| 020 | 92221-32110 | SHARE,PLOW | 1 | | | | 2.75 | 6.05 |
| 030 | 92221-32120 | PLATE,SIDE LH | 1 | | | | 1 | 2.2 |
| 040 | 92221-32130 | PLATE,SIDE RH | 1 | | | | 1.05 | 2.31 |
| 050 | 02810-50080 | NUT,WING | 4 | | | NOT SHOWN IN FIG. | 0.014 | 0.0308 |
| 060 | 04512-50080 | WASHER,SPRING | 4 | | | NOT SHOWN IN FIG. | 0 | 0 |
| 070 | 04013-50080 | WASHER,PLAIN | 2 | | | NOT SHOWN IN FIG. | 0 | 0 |
| 080 | 92221-32140 | SPRING,SUB | 2 | | | | 0.14 | 0.308 |
| 090 | 02810-50080 | NUT,WING | 2 | | | NOT SHOWN IN FIG. | 0.014 | 0.0308 |
| 100 | 04512-50080 | WASHER,SPRING | 2 | | | NOT SHOWN IN FIG. | 0 | 0 |
| 110 | 92221-33150 | SUPPORT | 1 | | | | 1.34 | 2.948 |
| 120 | 01150-51035 | BOLT | 1 | | | NOT SHOWN IN FIG. | 0.026 | 0.0572 |
| 130 | 02114-50100 | NUT | 1 | | | NOT SHOWN IN FIG. | 0.005 | 0.011 |
| 140 | 92221-32160 | COLLAR | 1 | | | NOT SHOWN IN FIG. | 0.01 | 0.022 |
| 150 | 92221-32170 | SCREW,ADJUSTING | 1 | | | NOT SHOWN IN FIG. | 0.14 | 0.308 |
| 160 | 92221-32180 | GRIP | 1 | | | NOT SHOWN IN FIG. | 0.07 | 0.154 |
| 170 | 92221-32190 | SCREW | 1 | | | NOT SHOWN IN FIG. | 0 | 0 |
| 180 | 05411-00322 | PIN,SPRING | 1 | | | NOT SHOWN IN FIG. | 0.001 | 0.0022 |
| 190 | 92221-32210 | SCREW, | 1 | | | NOT SHOWN IN FIG. | 0.065 | 0.143 |

OPTION PARTS





OPTION PARTS

↔ Interchangeable; ≠ not interchangeable; ← new for old; → old for new

| REF.No | Part No. | Description | Q'ty | S.No. | I/C | REMARKS | Weight (kgf) | Weight (lb) |
|--------|-------------|----------------------|------|---------|-----|---------|--------------|-------------|
| 010 | 62425-81100 | ASSY ROTARY,EXTEN. | 1 | | | | 4.67 | 10.274 |
| 020 | 62425-81110 | COVER,EXTENSION.LH | 1 | | | | 0.6 | 1.32 |
| 030 | 62425-81120 | COVER,EXTENSION.RH | 1 | | | | 0.61 | 1.342 |
| 040 | 01021-50612 | BOLT | 6 | | | | 0.006 | 0.0132 |
| 050 | 62425-81130 | COVER,EXT.R.COVER.LH | 1 | <=50325 | | | 0.67 | 1.474 |
| 050 | 62425-81132 | COVER,EXT.R.COVER.LH | 1 | >=50326 | ≠ | | 0.66 | 1.452 |
| 060 | 62425-81140 | COVER,EXTEN.R/C.RH | 1 | <=50325 | | | 0.67 | 1.474 |
| 060 | 62425-81142 | COVER,EXTEN.R/C.RH | 1 | >=50326 | ≠ | | 0.62 | 1.364 |
| 070 | 01121-50816 | BOLT | 4 | | | | 0.013 | 0.0286 |
| 080 | 92188-21110 | BLADE,LH | 2 | <=56143 | | | 0.35 | 0.77 |
| 080 | 92188-21132 | BLADE,LH | 2 | >=60001 | ← | | 0.5 | 1.1 |
| 080 | 92188-21133 | BLADE,LH | 2 | >=62161 | ≠ | | 0 | 0 |
| 090 | 92188-21120 | BLADE,RH | 2 | <=56143 | | | 0.33 | 0.726 |
| 090 | 92188-21142 | BLADE,RH | 2 | >=60001 | ← | | 0.5 | 1.1 |
| 090 | 92188-21143 | BLADE,RH | 2 | >=62161 | ≠ | | 0 | 0 |
| 100 | 62425-81150 | FLAP,EXTENSION | 2 | | | | 0.06 | 0.132 |
| 110 | 62425-81160 | RETAINER,FLAP | 2 | | | | 0.02 | 0.044 |
| 120 | 01023-50612 | BOLT | 4 | | | | 0.005 | 0.011 |
| 130 | 62425-81200 | ASSY WEIGHT,WHEEL | 1 | | | | 25 | 55 |
| 140 | 62425-81210 | WEIGHT,WHEEL | 2 | | | | 10.45 | 22.99 |
| 150 | 01173-51075 | BOLT | 4 | | | | 0.047 | 0.1034 |
| 160 | 04013-50100 | WASHER,PLAIN | 4 | | | | 0 | 0 |
| 170 | 04512-50100 | WASHER,SPRING | 4 | | | | 0 | 0 |
| 180 | 02118-50100 | NUT | 4 | | | | 0.005 | 0.011 |
| 190 | 62425-81300 | ASSY BLADE | 1 | | | | 5.36 | 11.792 |
| 200 | 92188-21130 | BLADE,LH | 6 | <=56143 | | | 0.4 | 0.88 |
| 200 | 92188-21132 | BLADE,LH | 6 | >=60001 | ← | | 0.5 | 1.1 |
| 200 | 92188-21133 | BLADE,LH | 6 | >=62161 | ≠ | | 0 | 0 |
| 210 | 92188-21140 | BLADE,RH | 6 | <=56143 | | | 0.4 | 0.88 |
| 210 | 92188-21142 | BLADE,RH | 6 | >=60001 | ← | | 0.5 | 1.1 |
| 210 | 92188-21143 | BLADE,RH | 6 | >=62161 | ≠ | | 0 | 0 |
| 220 | 62425-81400 | ASSY COVER,DUST | 1 | | | | 1.8 | 3.96 |
| 230 | 62425-81410 | COVER | 2 | | | | 0.83 | 1.826 |
| 240 | 01811-50815 | BOLT,WING | 4 | | | | 0.025 | 0.055 |
| 250 | 04512-50080 | WASHER,SPRING | 4 | | | | 0 | 0 |
| 260 | 62425-81420 | MARK,KUBOTA | 2 | | | | 0.004 | 0.0088 |
| 270 | 62425-81500 | ASSY WEIGHT,FRONT | 1 | | | | 14 | 30.8 |
| 280 | 62425-81510 | HITCH,FRONT | 1 | | | | 3.19 | 7.018 |
| 290 | 01173-51045 | BOLT | 2 | | | | 0.03 | 0.066 |
| 300 | 04512-50100 | WASHER,SPRING | 2 | | | | 0 | 0 |
| 310 | 02118-50100 | NUT | 2 | | | | 0.005 | 0.011 |
| 320 | 01172-51035 | BOLT | 2 | | | | 0.03 | 0.066 |
| 330 | 02118-50100 | NUT | 2 | | | | 0.005 | 0.011 |
| 340 | 62425-81520 | WHIGHT,BLANCE | 1 | | | | 11 | 24.2 |
| 350 | 62151-52150 | PIN,HITCH | 1 | | | | 0.26 | 0.572 |
| 360 | 05515-51600 | PIN,SNAP | 1 | | | | 0.007 | 0.0154 |

IMAGE NOT AVAILABLE



ACCESSORIES AND SERVICE PARTS

↔ Interchangeable; ≠ not interchangeable; ← new for old; → old for new

| REF.No | Part No. | Description | Q'ty | S.No. | I/C | REMARKS | Weight (kgf) | Weight (lb) |
|--------|-------------|---------------------|------|-------|-----|---------|--------------|-------------|
| 010 | 62425-65100 | ASSY PARTS,SHIPMENT | 1 | | | | 1.45 | 3.19 |
| 030 | 62425-65200 | ASSY TOOLS | 1 | | | | 0.9 | 1.98 |
| 040 | 63763-61250 | BAG,TOOLS | 1 | | | | 0.03 | 0.066 |
| 050 | 07012-11012 | SPANNER | 1 | | | | 0.041 | 0.0902 |
| 060 | 07012-11417 | SPANNER | 1 | | | | 0.084 | 0.1848 |
| 070 | 18152-86200 | ASSY BAR,BOX | 1 | | | | 0.03 | 0.066 |
| 080 | 62341-63110 | SCREW,DRIVER | 1 | | | | 0.065 | 0.143 |
| 090 | 07211-10150 | PLIERS | 1 | | | | 0.16 | 0.352 |
| 100 | 14107-91410 | FUNNEL | 1 | | | | 0.023 | 0.0506 |
| 110 | 63733-61610 | FEEDER,OIL | 1 | | | | 0.02 | 0.044 |
| 120 | 62425-65230 | MANUAL,INSTRUCTION | 1 | | | | 0.105 | 0.231 |
| 130 | 62425-65223 | MANUAL,ASSEMBLY | 1 | | | | 0.015 | 0.033 |