

# Instructions for Parts Books

The heading at the top of the page will be the same for the picture of the parts as it is for the page with the part numbers.

Definition of column headings on part number pages:

**REF.No** → The number referring to the part on the picture page of the parts book.

**Part No.** → The number assigned to this part at the time of printing the parts book.

**Description** → Description of part.

**Q'ty** → Quantity of part used on that page.

**S.No.** → Serial number range of the equipment that this part will fit.

>= Your serial number should be greater than or equal to the number shown.

<= Your serial number should be lesser than or equal to the serial number shown.

**I/C** → Interchangeability of part shown.

↔ The part shown will work for the older and later serial number.

# The part shown is not interchangeable with the other serial number.

← new for old

→ old for new

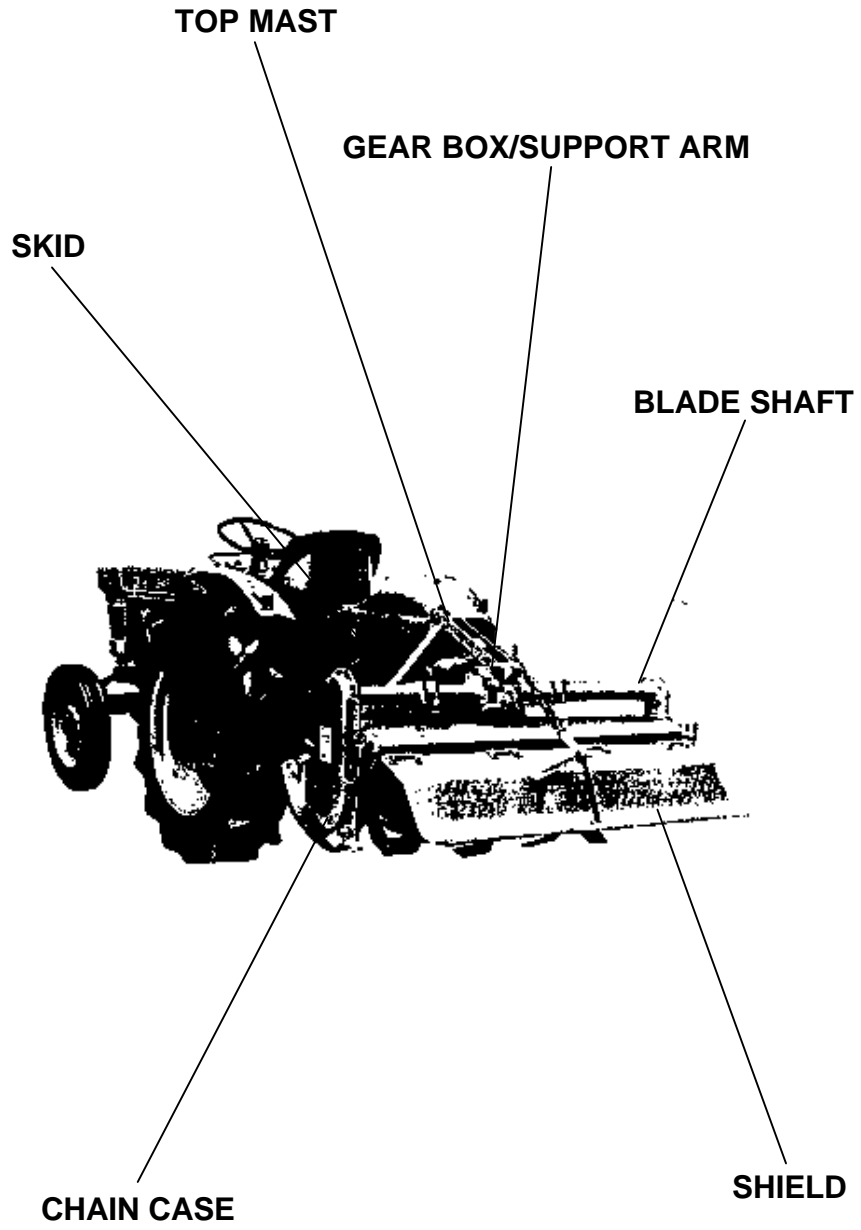
**Remarks** → Notes about this particular part. Sometimes this may say except [FR] or [CA]

## Note about Country Codes:

The parts books we use in the United States of America may also contain information about a part that would be different in another country. It is important that you are aware of the country codes in some instances.

Symbol	Country
A	United States of America
CA	Canada
FR	France
GR	Greece
PO	Portugal
AU	Australia

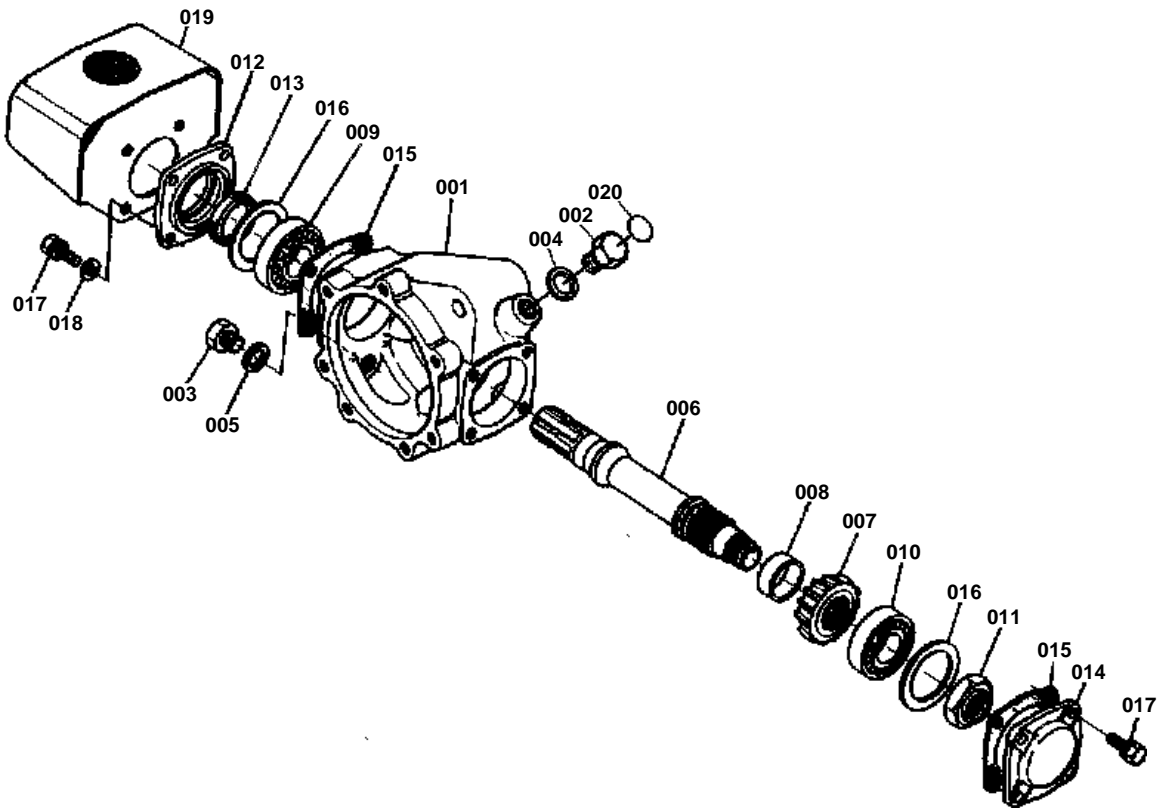
If the remarks column says for example EXCEPT [FR] this part works in all countries except France. That means it will work here in the USA.



ACCESORIES

Item	Part No.	Description	Book
GEAR BOX/SUPPORT ARM	011001	GEAR BOX GROUP	100K0067
	011002	UNIVERSAL JOINT GROUP	100K0067
	011003	SUPPORT ARM 1 GROUP	100K0067
	011004	SUPPORT ARM 2 GROUP	100K0067
CHAIN CASE	011005	CHAIN CASE GROUP	100K0067
	011006	CHAIN CASE INTERIOR GROUP	100K0067
BLADE SHAFT	011007	BEARING CASE GROUP	100K0067
	011008	BLADE SHAFT GROUP	100K0067
SHIELD	011009	MAIN SHIELD GROUP	100K0067
	011010	REAR SHIELD GROUP	100K0067
SKID	011011	SKID GROUP	100K0067
TOP MAST	011012	TOP MAST GROUP	100K0067
ACCESORIES	011013	ACCESSORIES AND SERVICE PARTS	100K0067

# GEAR BOX GROUP

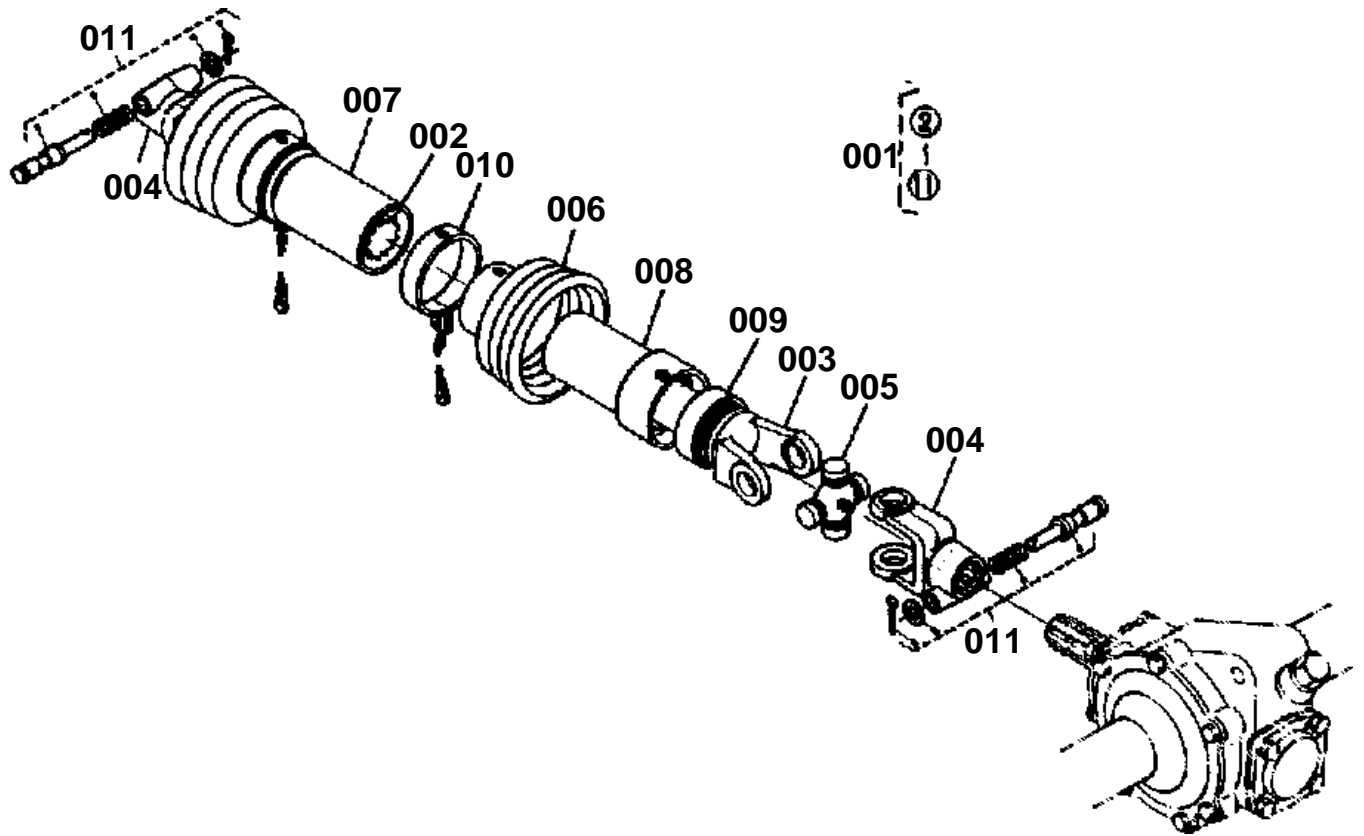




## GEAR BOX GROUP

↔ Interchangeable; ≠ not interchangeable; ← new for old; → old for new

REF.No	Part No.	Description	Q'ty	S.No.	I/C	REMARKS	Weight (kgf)	Weight (lb)
001	70494-51110	GEAR BOX	1				6.9	15.18
002	06331-35020	PLUG	1				0.068	0.1496
003	70435-54170	PLUG,DRAIN	1				0.06	0.132
004	04717-02000	WASHER,SEAL	1				0.004	0.0088
005	70435-54210	WASHER,SEAL	1				0.005	0.011
006	70494-51210	SHAFT,PINION	1				2.2	4.84
007	99999-99999	BLANK	0			ORDER BY REF.No.021	0	0
008	70741-51230	COLLAR	1				0.035	0.077
009	08711-30207	BEARING,TAPER ROLLER	1			(30207)	0.365	0.803
010	08711-30306	BEARING,TAPER ROLLER	1			(30306)	0.382	0.8404
011	70436-51230	NUT 25	1				0.09	0.198
012	70436-51310	COVER,END	1				0.105	0.231
013	09500-35558	SEAL,OIL	1				0.02	0.044
014	70436-51320	RETAINER,BEARING	1				0.44	0.968
015	70411-51590	GASKET	2				0	0
016	70411-51540	SHIM 0.3	2				0	0
016	70411-51550	SHIM 0.1	4				0.001	0.0022
017	01130-51025	BOLT	8				0	0
018	04013-50100	WASHER,PLAIN	4				0	0
019	70416-51510	COVER,JOINT	1				0.7	1.54
020	70741-96160	LABEL	1				0.001	0.0022
021	70741-59100	ASSY GEAR,BEVEL	1			REF.No.007 AND 002 IN L.No.0B02-L0	1.97	4.334

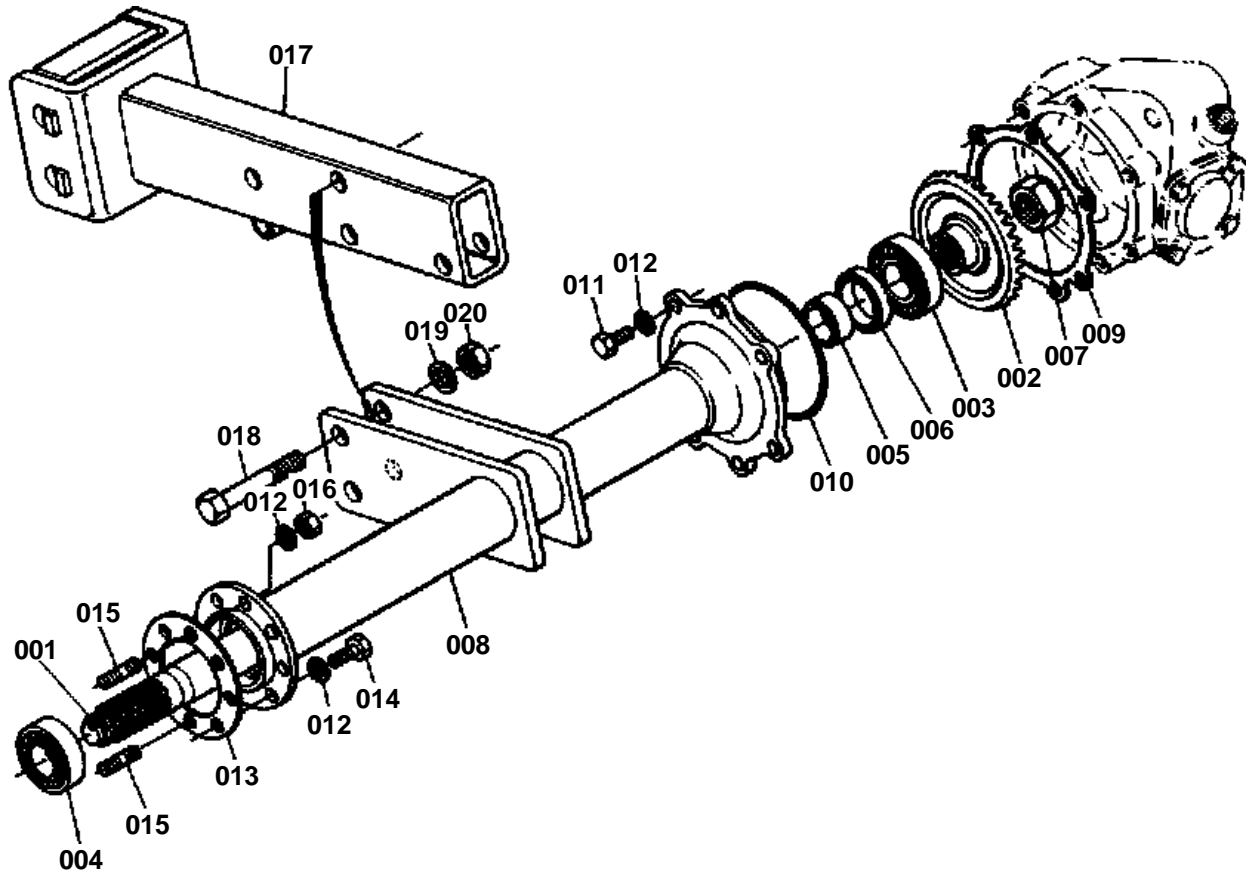


**UNIVERSAL JOINT GROUP**

↔ Interchangeable; ≠ not interchangeable; ← new for old; → old for new

REF.No	Part No.	Description	Q'ty	S.No.	I/C	REMARKS	Weight (kgf)	Weight (lb)
001	70494-58110	ASSY JOINT,UNIVERSAL	1			REF.No.002 TO 011	9.6	21.12
002	70494-58170	JOINT 1	1				3	6.6
003	70494-58180	JOINT 2	1				2.85	6.27
004	70436-58190	YOKE	2				0.849	1.8678
005	70411-52100	ASSY SPIDER	2				0.435	0.957
006	70416-58120	BOOTS	2				0.061	0.1342
007	70494-58130	COVER 1	1				0.16	0.352
008	70494-58140	COVER 2	1				0.21	0.462
009	70416-58150	BEARING	2				0.038	0.0836
010	70416-58160	CHAIN	2				0.063	0.1386
011	70415-52250	ASSY PIN,LOCK	2				0.057	0.1254

SUPPORT ARM 1 GROUP



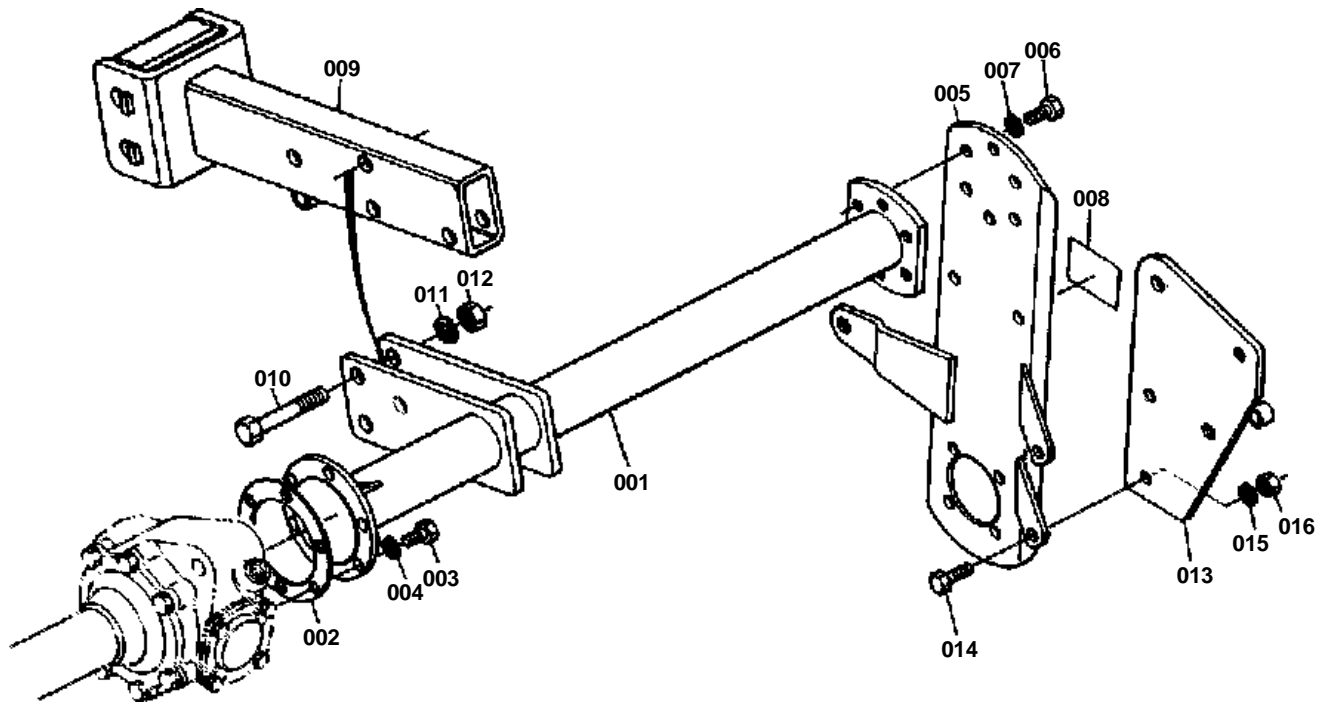


**SUPPORT ARM 1 GROUP**

↔ Interchangeable; ≠ not interchangeable; ← new for old; → old for new

REF.No	Part No.	Description	Q'ty	S.No.	I/C	REMARKS	Weight (kgf)	Weight (lb)
001	70741-51410	JACKSHAFT	1				5.2	11.44
002	99999-99999	BLANK	0			ORDER BY REF.No.021	0	0
003	08711-30209	BEARING,TAPER ROLLER	1			(30209)	0.458	1.0076
004	08711-30207	BEARING,TAPER ROLLER	1			(30207)	0.365	0.803
005	70416-51430	COLLAR,SEAL	1				0.094	0.2068
006	09504-56812	SEAL,OIL	1				0.038	0.0836
007	70416-51440	NUT	1				0.07	0.154
008	70741-52110	SUPPORT,ROTARY 1	1				10.9	23.98
009	70494-51770	SHIM 0.3	2				0.03	0.066
009	70794-51780	SHIM 0.1	2				0	0
010	04811-51450	O RING	1				0.005	0.011
011	01173-51225	BOLT	7				0.033	0.0726
012	04512-50120	WASHER,SPRING	15				0	0
013	70741-52150	GASKET	1				0.07	0.154
014	70741-51120	BOLT	6				0.034	0.0748
015	70741-52190	STUD	2				0.024	0.0528
016	70661-55720	NUT	2				0.01	0.022
017	70741-52140	ARM,SUPPORT	1				6.6	14.52
018	01170-51885	BOLT	3				0	0
019	04512-50180	WASHER,SPRING	3				0	0
020	02174-50180	NUT	3				0.029	0.0638
021	70741-59100	ASSY GEAR,BEVEL	1			REF.No.002 AND 007 IN L.No.0B01-L0	1.97	4.334

SUPPORT ARM 2 GROUP

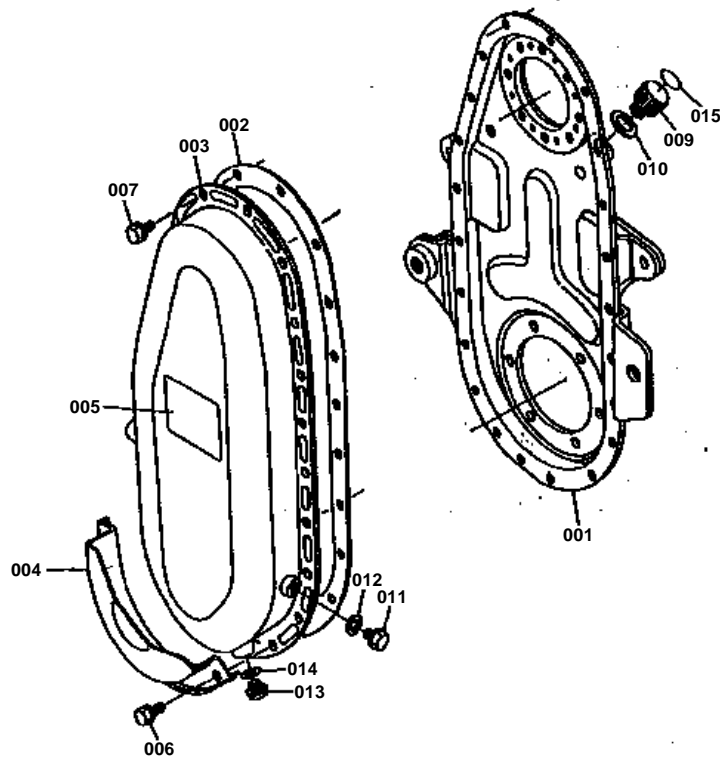


**SUPPORT ARM 2 GROUP**

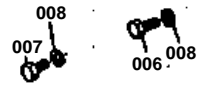
↔ Interchangeable; ≠ not interchangeable; ← new for old; → old for new

REF.No	Part No.	Description	Q'ty	S.No.	I/C	REMARKS	Weight (kgf)	Weight (lb)
001	70741-52210	SUPPORT,ROTARY 2	1				13.9	30.58
002	70494-52930	GASKET	1				0.008	0.0176
003	70741-51130	BOLT	6				0.036	0.0792
004	04512-50120	WASHER,SPRING	6				0	0
005	70741-53110	FRAME,SIDE	1				3.15	6.93
006	01173-51218	BOLT	6				0.028	0.0616
007	04512-50120	WASHER,SPRING	6				0	0
008	70741-53120	NAME PLATE	1				0.002	0.0044
009	70741-52140	ARM,SUPPORT	1				6.6	14.52
010	01170-51885	BOLT	3				0	0
011	04512-50180	WASHER,SPRING	3				0	0
012	02174-50180	NUT	3				0.029	0.0638
013	70741-56570	SUPPORT,SKID	1				2.2	4.84
014	01173-51025	BOLT	2				0.021	0.0462
015	04512-50100	WASHER,SPRING	2				0	0
016	02118-50100	NUT	2				0.005	0.011

CHAIN CASE GROUP



REF. No.006 01150-50820  
No.007 01160-50816  
No.008 04512-60080

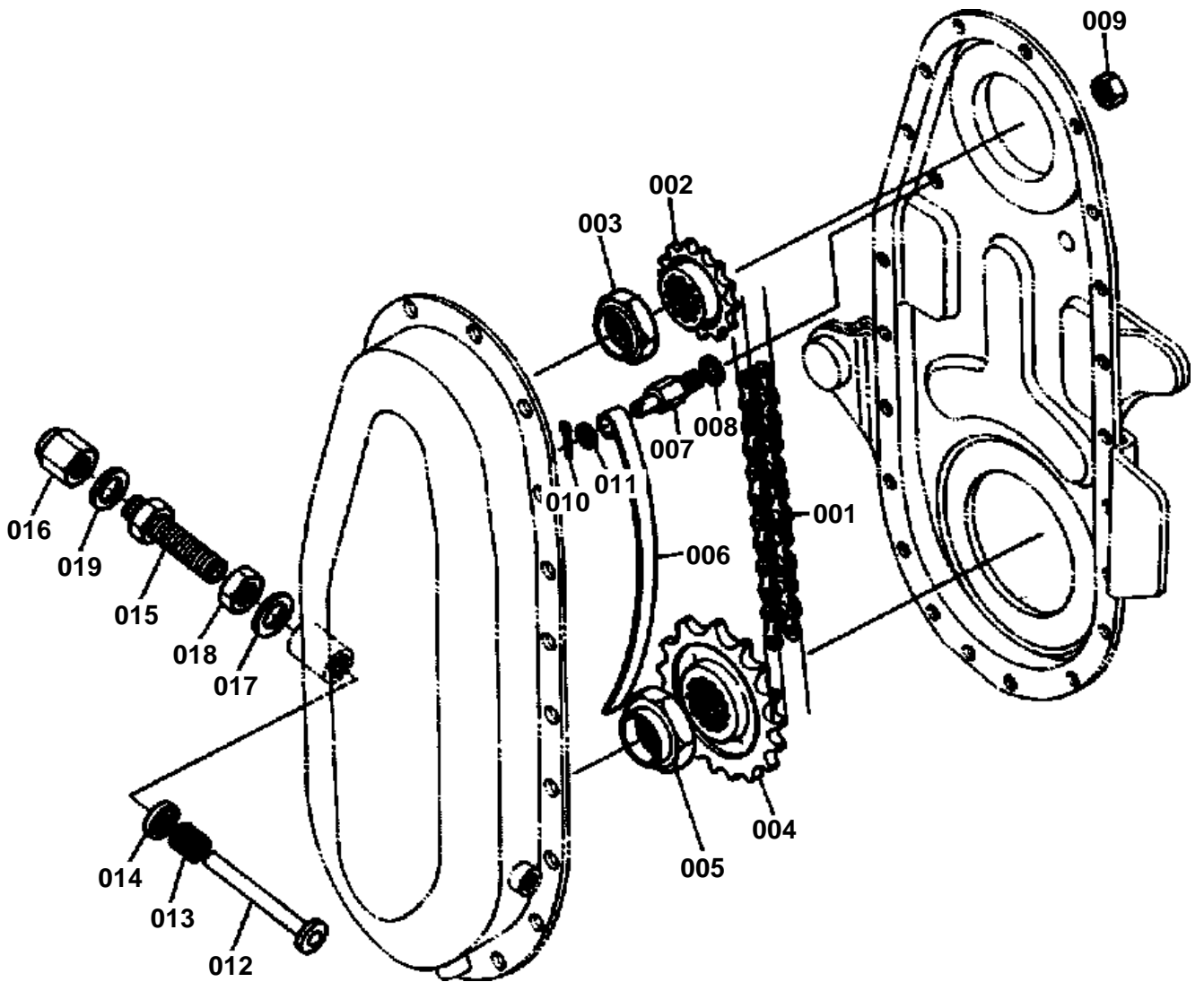


**CHAIN CASE GROUP**

↔ Interchangeable; ≠ not interchangeable; ← new for old; → old for new

REF.No	Part No.	Description	Q'ty	S.No.	I/C	REMARKS	Weight (kgf)	Weight (lb)
001	70741-54110	PLATE,CHAIN CASE	1				6.2	13.64
001	70741-54113	PLATE,CHAIN CASE	1				0	0
002	70436-54120	GASKET	1				0.085	0.187
003	70741-54130	COVER,CHAIN CASE	1				3.25	7.15
004	70436-54140	COVER,PROTECTING	1				0.72	1.584
005	70491-57960	LABEL	1				0.004	0.0088
006	01150-50820	BOLT	7				0.011	0.0242
006	01120-50820	BOLT	7				0	0
007	01150-50816	BOLT	17				0.01	0.022
007	01120-50816	BOLT	17				0	0
008	04512-50080	WASHER,SPRING	24				0	0
009	06331-35020	PLUG	1				0.068	0.1496
010	04717-02000	WASHER,SEAL	1				0.004	0.0088
011	70436-54170	PLUG	1				0.02	0.044
012	70436-54180	WASHER,SEAL	1				0.002	0.0044
013	06331-35012	PLUG	1				0.022	0.0484
014	70435-54220	WASHER,SEAL	1				0.002	0.0044
015	70436-94160	LABEL	1				0.001	0.0022

CHAIN CASE INTERIOR GROUP

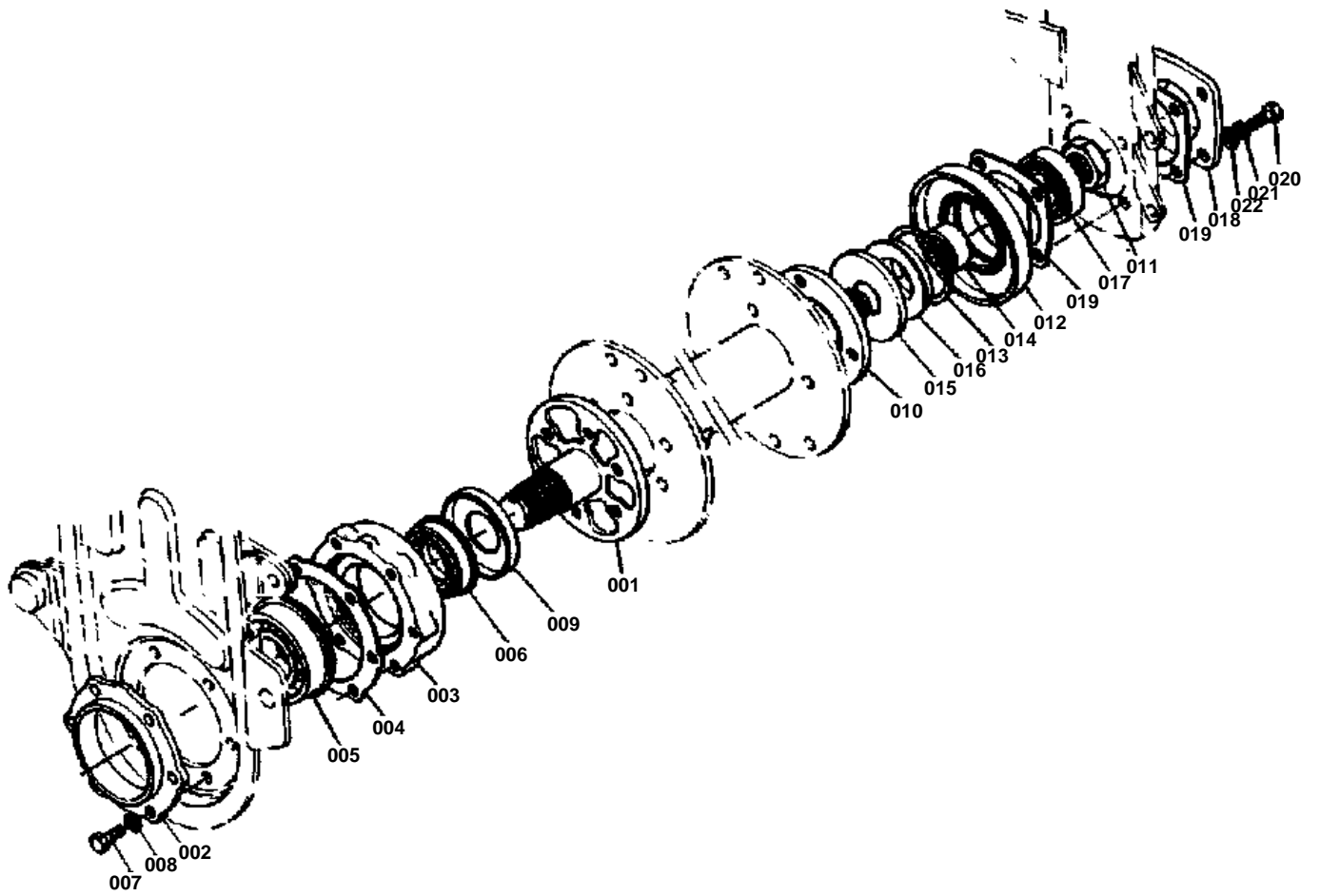


**CHAIN CASE INTERIOR GROUP**

↔ Interchangeable; ≠ not interchangeable; ← new for old; → old for new

REF.No	Part No.	Description	Q'ty	S.No.	I/C	REMARKS	Weight (kgf)	Weight (lb)
001	70545-54610	CHAIN	1				4.9	10.78
002	70741-54210	SPROCKET 10	1				0.495	1.089
003	70741-51440	NUT 25	1				0.095	0.209
004	70741-54220	SPROCKET 17	1				1.46	3.212
005	70531-54750	NUT 35	1				0.105	0.231
006	70436-54320	TIGHTENER	1				0.1	0.22
007	70436-54310	SHAFT,TIGHTENER	1				0.085	0.187
008	04715-00120	GASKET	1				0.001	0.0022
009	02174-50120	NUT	1				0.01	0.022
010	05511-50322	PIN,SPLIT	1				0.002	0.0044
011	04013-50120	WASHER,PLAIN	1				0	0
012	70436-54330	LOD	1				0.085	0.187
013	70436-54340	SPRING	1				0.02	0.044
014	70436-54350	COLLAR	1				0.01	0.022
015	70436-54360	HOLDER,LOD	1				0.115	0.253
016	70632-14890	CAP,HOLDER	1				0.06	0.132
017	70437-54370	WASHER,SEAL	1				0.002	0.0044
018	02172-50180	NUT	1				0.021	0.0462
019	04724-00160	GASKET	1				0.003	0.0066

BEARING CASE GROUP



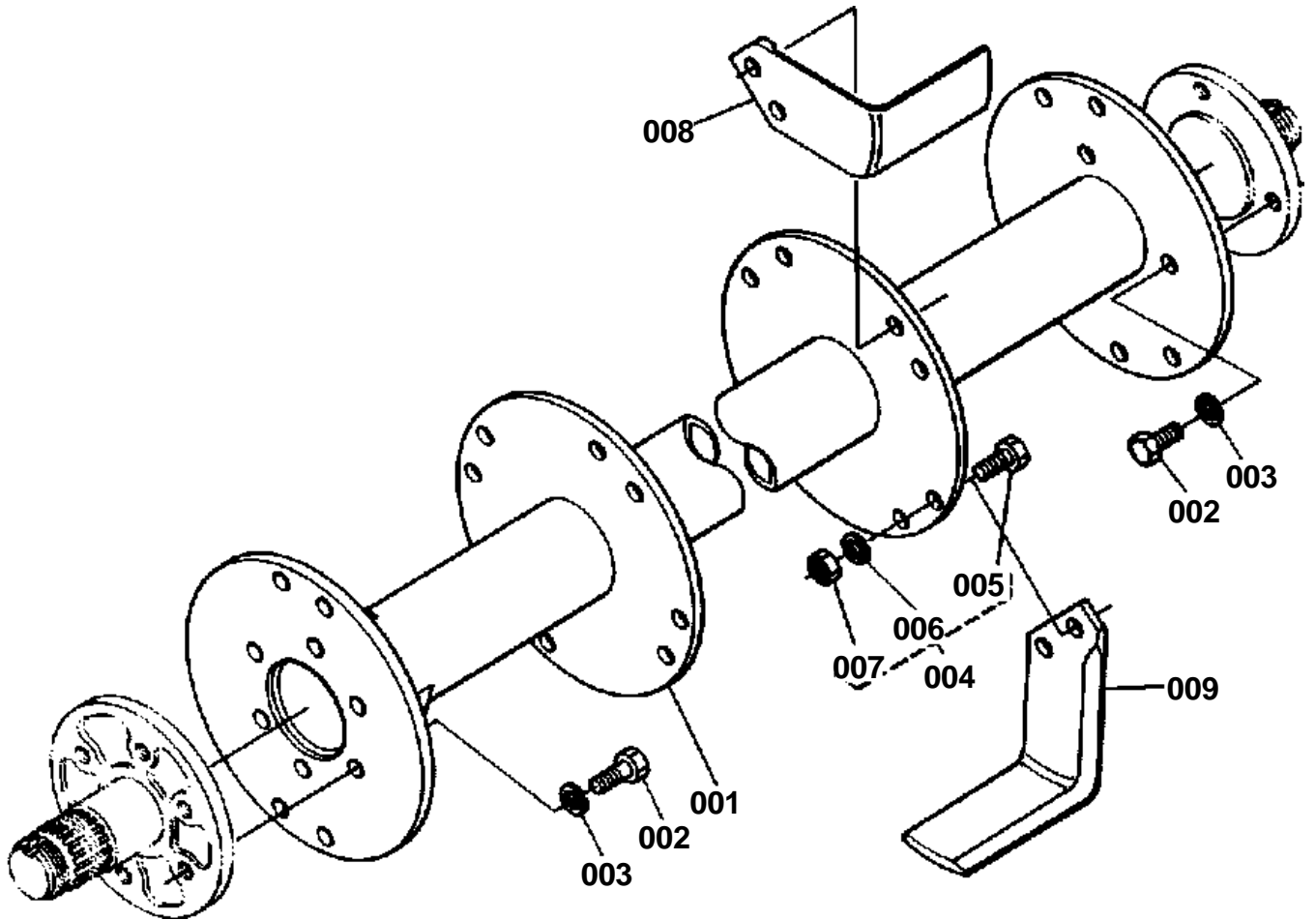


**BEARING CASE GROUP**

↔ Interchangeable; ≠ not interchangeable; ← new for old; → old for new

REF.No	Part No.	Description	Q'ty	S.No.	I/C	REMARKS	Weight (kgf)	Weight (lb)
001	70494-55110	END,BLADE SHAFT 1	1				2.2	4.84
002	70436-55120	CASE,BEARING	1				0.58	1.276
003	70436-55130	CASE,BEARING 1	1				1.52	3.344
004	70436-55140	GASKET	1				0	0
005	08151-06309	BEARING,BALL	1			(6309NR)	0.84	1.848
006	32218-55350	SEAL,OIL	1				0.14	0.308
007	70741-51140	BOLT	6				0.025	0.055
008	04512-50100	WASHER,SPRING	6				0	0
009	70431-55310	COVER,DUST 1	1				0.106	0.2332
010	70416-55210	END,BLADE SHAFT 2	1				1.31	2.882
011	70416-51440	NUT 30	1				0.07	0.154
012	70416-55220	CASE,BEARING 2	1				1.64	3.608
013	04611-00720	CIR-CLIP,INTERNAL	1				0.018	0.0396
014	70416-55230	COLLAR,SEAL	1				0.097	0.2134
015	70411-55250	COVER,DUST 2	1				0.106	0.2332
016	65005-17170	SEAL,OIL	1				0.081	0.1782
017	08131-06207	BEARING,BALL	1			(6207U)	0.276	0.6072
018	70436-55240	COVER,BEARING	1				0.246	0.5412
019	70416-55250	GASKET	2				0	0
020	01173-51025	BOLT	4				0.021	0.0462
021	04512-50100	WASHER,SPRING	4				0	0
022	04011-50100	WASHER,PLAIN	4				0.002	0.0044

BLADE SHAFT GROUP

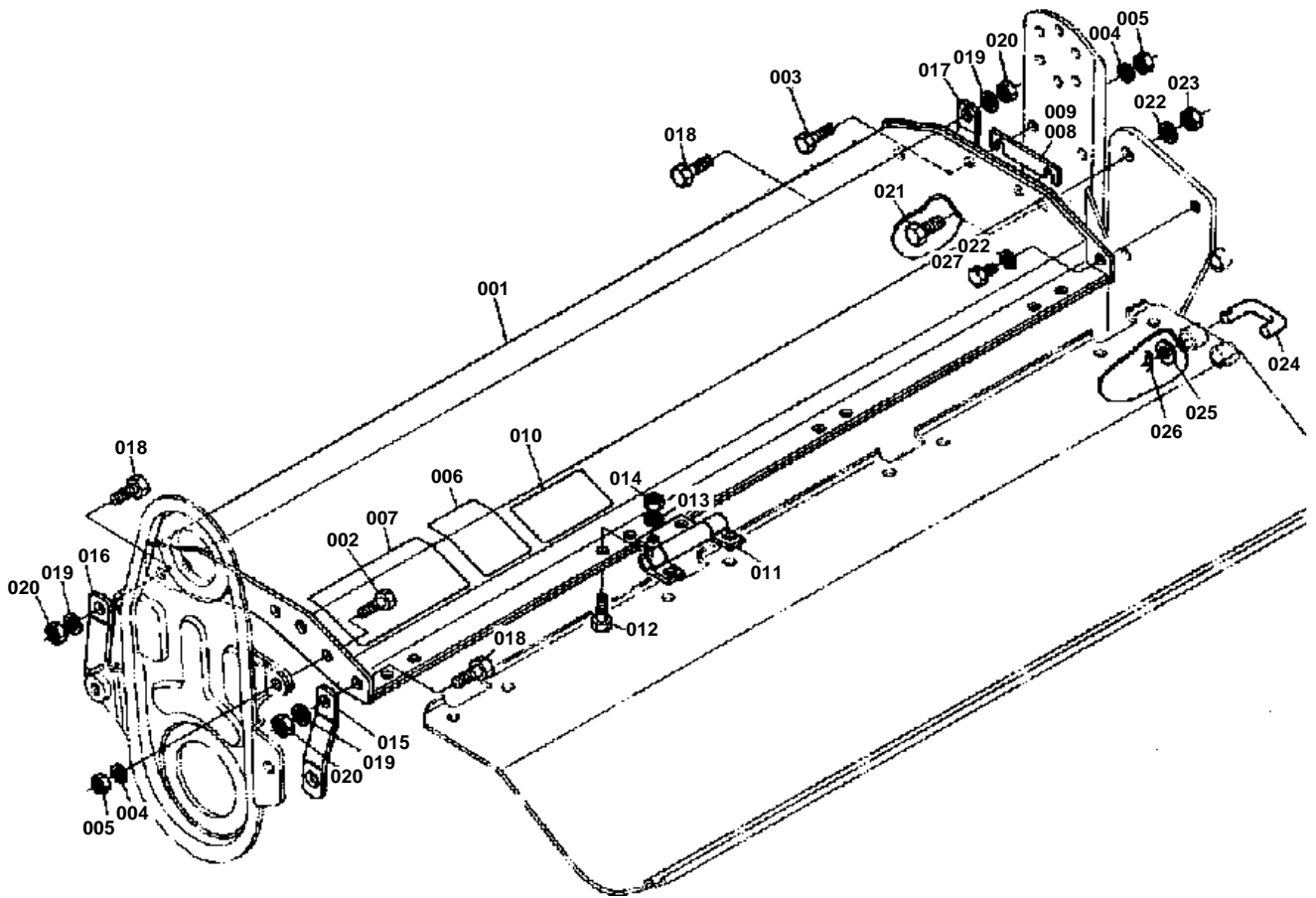


**BLADE SHAFT GROUP**

↔ Interchangeable; ≠ not interchangeable; ← new for old; → old for new

REF.No	Part No.	Description	Q'ty	S.No.	I/C	REMARKS	Weight (kgf)	Weight (lb)
001	70741-55310	SHAFT,BLADE	1				35	77
002	01173-51225	BOLT	9				0.033	0.0726
003	04512-50120	WASHER,SPRING	9				0	0
004	70741-55700	ASSY SET PARTS	1			REF.No.005 TO 007	0	0
005	99999-99999	BLANK	0			ORDER BY REF.No.004	0	0
005	99999-99999	BLANK	0			ORDER BY REF.No.004	0	0
006	99999-99999	BLANK	0			ORDER BY REF.No.004	0	0
006	99999-99999	BLANK	0			ORDER BY REF.No.004	0	0
007	99999-99999	BLANK	0			ORDER BY REF.No.004	0	0
007	99999-99999	BLANK	0			ORDER BY REF.No.004	0	0
008	70741-55850	BLADE,CURVED LH	10				0.75	1.65
009	70741-55860	BLADE,CURVED RH	10				0.75	1.65

# MAIN SHIELD GROUP



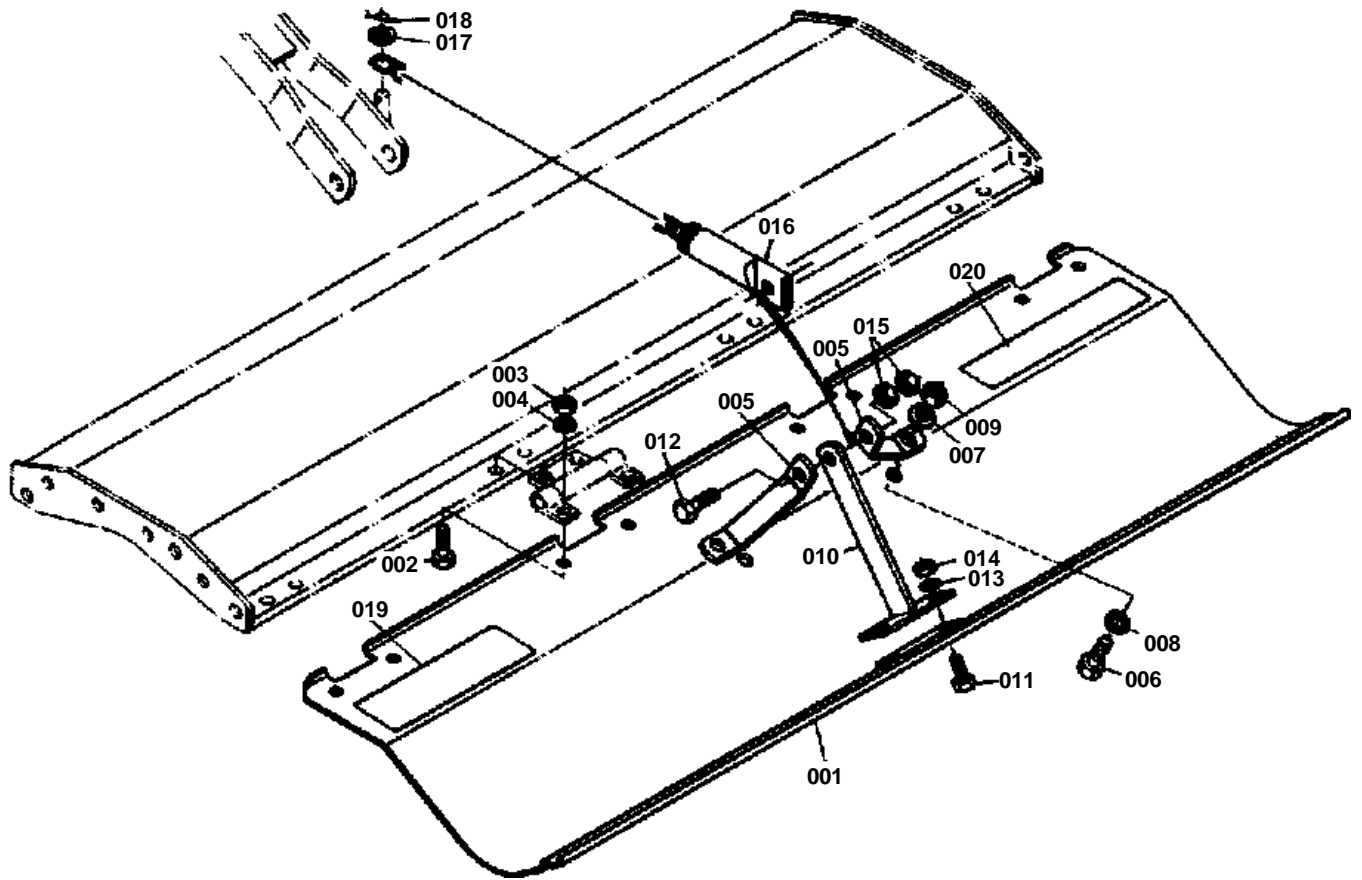


## MAIN SHIELD GROUP

↔ Interchangeable; ≠ not interchangeable; ← new for old; → old for new

REF.No	Part No.	Description	Q'ty	S.No.	I/C	REMARKS	Weight (kgf)	Weight (lb)
001	70741-56110	SHIELD MAIN	1				21	46.2
002	01173-51022	BOLT	2				0.019	0.0418
003	01173-51020	BOLT	2				0.017	0.0374
004	04512-50100	WASHER,SPRING	4				0	0
005	02118-50100	NUT	4				0.005	0.011
006	70741-96120	LABEL	1				0.002	0.0044
007	70741-96180	LABEL	1				0.006	0.0132
008	70416-56130	SHIM	1				0.016	0.0352
009	70416-56140	SHIM	2				0.01	0.022
010	70741-96190	LABEL	1				0.001	0.0022
011	70741-56670	HINGE	4				0.315	0.693
012	01173-51025	BOLT	8				0.021	0.0462
013	04512-50100	WASHER,SPRING	8				0	0
014	02118-50100	NUT	8				0.005	0.011
015	70741-56510	PLATE,LINK 1	1				0.164	0.3608
016	70741-56520	PLATE,LINK 2	1				0.135	0.297
017	70741-56530	PLATE,LINK 3	1				0.14	0.308
018	01173-51225	BOLT	3				0.033	0.0726
019	04512-50120	WASHER,SPRING	3				0	0
020	02174-50120	NUT	3				0.01	0.022
021	01173-51225	BOLT	1				0.033	0.0726
022	04512-50120	WASHER,SPRING	2				0	0
023	02174-50120	NUT	1				0.01	0.022
024	70741-56590	INTERLOCKER	1				0.07	0.154
025	04013-50100	WASHER,PLAIN	1				0	0
026	05516-51000	PIN,SNAP	1				0	0
027	70741-56540	BOLT	1				0.024	0.0528

REAR SHIELD GROUP

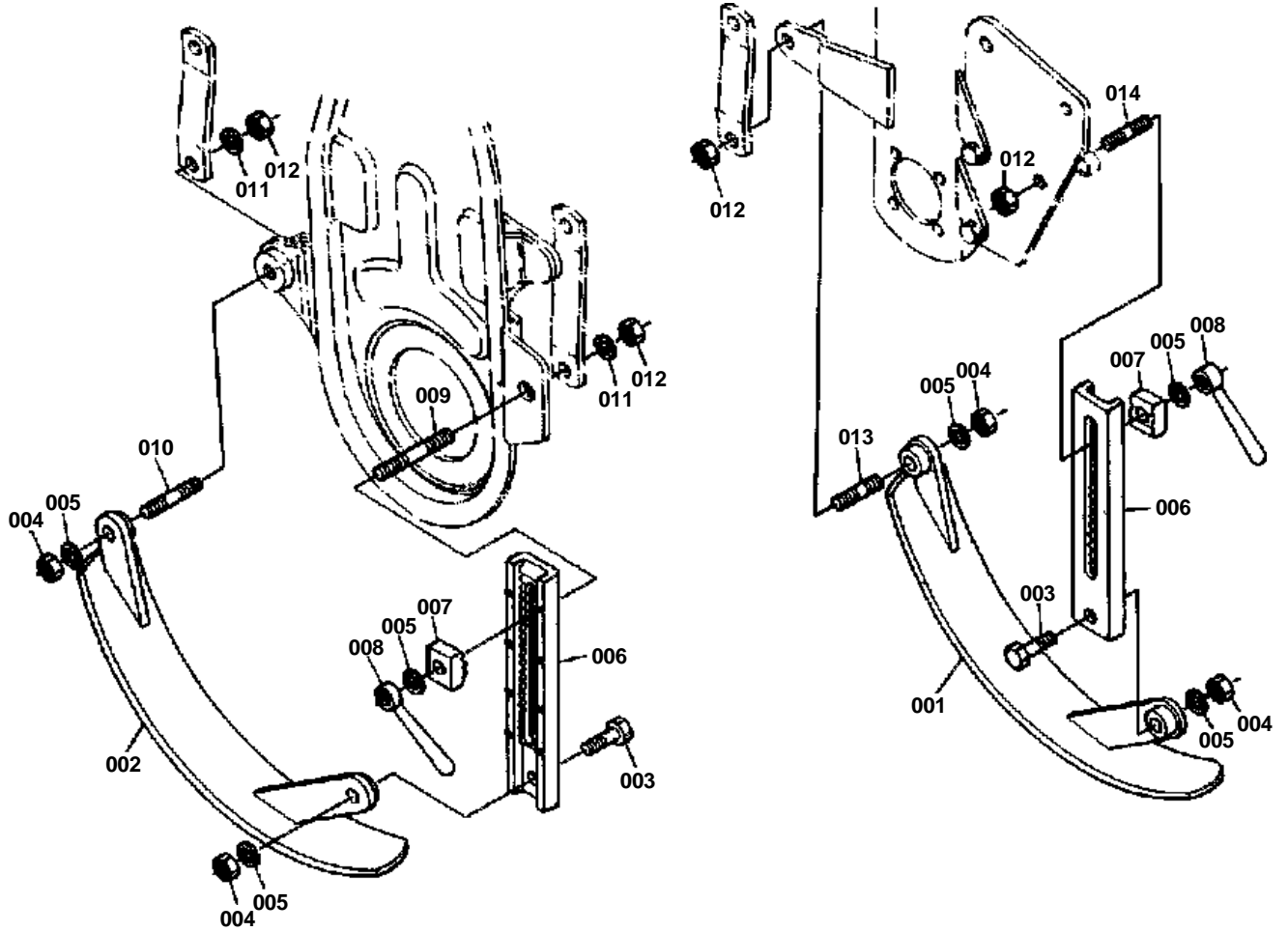




## REAR SHIELD GROUP

↔ Interchangeable; ≠ not interchangeable; ← new for old; → old for new

REF.No	Part No.	Description	Q'ty	S.No.	I/C	REMARKS	Weight (kgf)	Weight (lb)
001	70741-56210	SHIELD,REAR	1				32	70.4
001	70741-56212	SHIELD,REAR	1				0	0
002	01173-51022	BOLT	8				0.019	0.0418
003	02118-50100	NUT	8				0.005	0.011
004	04512-50100	WASHER,SPRING	8				0	0
005	70741-56220	STAY,LIFT 1	2				0.22	0.484
006	01173-51225	BOLT	2				0.033	0.0726
007	04015-50120	WASHER,PLAIN	2				0	0
008	04512-50120	WASHER,SPRING	2				0	0
009	02174-50120	NUT	2				0.01	0.022
010	70741-56230	STAY,LIFT 2	1				0.36	0.792
011	01173-51225	BOLT	2				0.033	0.0726
011	01173-51228	BOLT	2				0.036	0.0792
012	01173-51245	BOLT	1				0.049	0.1078
013	04512-50120	WASHER,SPRING	2				0	0
014	02174-50120	NUT	2				0.01	0.022
015	02172-50120	NUT	2				0.01	0.022
016	70741-56240	ASSY CHAIN	1				1.18	2.596
017	04015-50120	WASHER,PLAIN	1				0	0
018	05515-51200	PIN,SNAP	1				0	0
019	70494-56320	LABEL	1				0.005	0.011
020	70741-96310	LABEL	1				0.003	0.0066

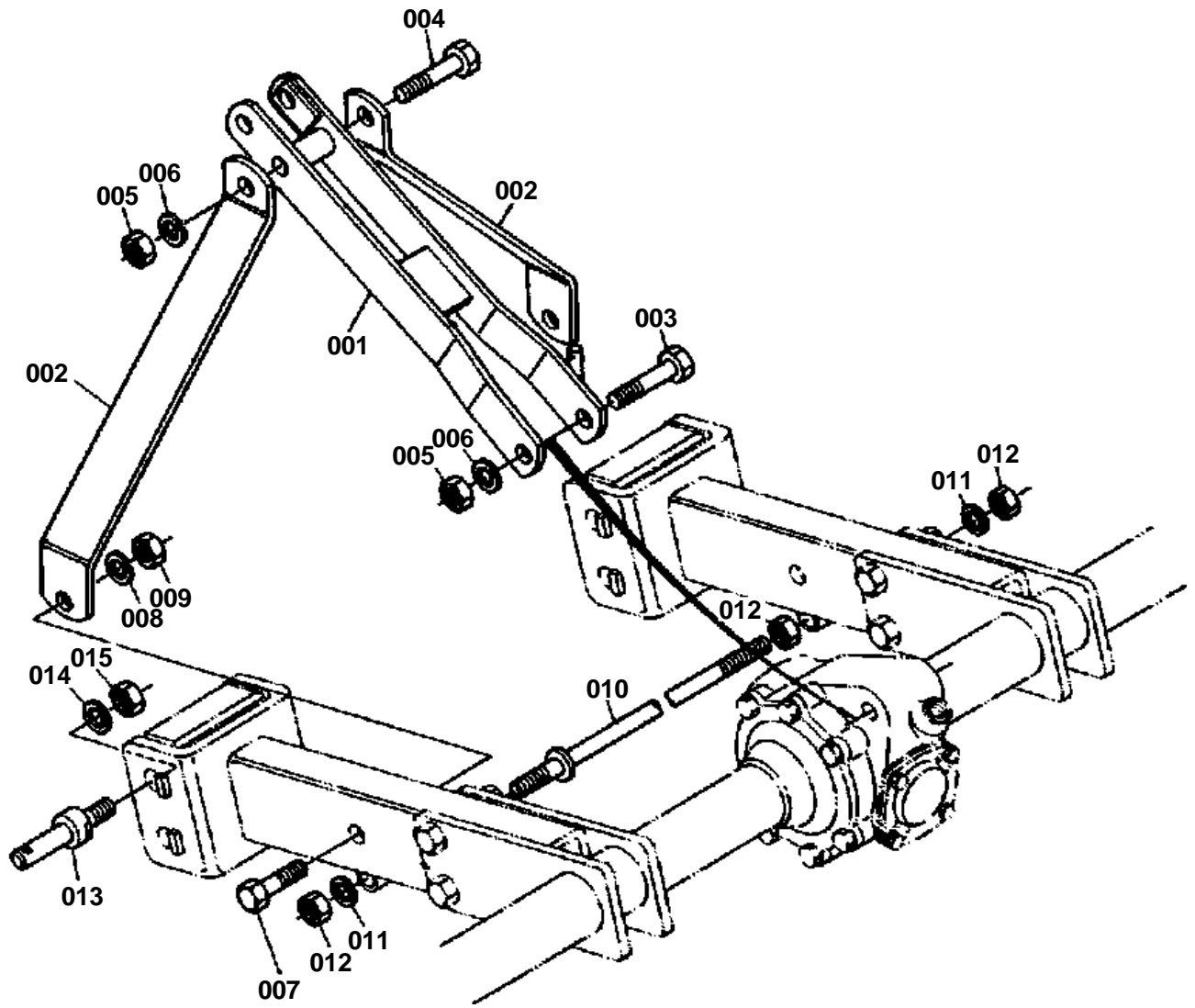






↔ Interchangeable; ≠ not interchangeable; ← new for old; → old for new

REF.No	Part No.	Description	Q'ty	S.No.	I/C	REMARKS	Weight (kgf)	Weight (lb)
001	70741-57110	SKID,RH	1				4.3	9.46
002	70741-57120	SKID,LH	1				4.3	9.46
003	01173-51660	BOLT	2				0.114	0.2508
004	02176-50160	NUT	4				0.021	0.0462
005	04512-50160	WASHER,SPRING	6				0	0
006	70746-57210	BAR,ADJUSTING	2				1.85	4.07
007	70494-57220	PLATE,ADJUSTING	2				0.125	0.275
008	70494-57230	HANDLE	2				0.153	0.3366
009	70741-56550	STUD	1				0.134	0.2948
010	70741-56560	STUD	1				0.143	0.3146
011	04512-50160	WASHER,SPRING	2				0	0
012	02174-50160	NUT	4				0.022	0.0484
013	01519-51650	STUD	1				0.114	0.2508
014	01517-51660	STUD	1				0.123	0.2706



**TOP MAST GROUP**

↔ Interchangeable; ≠ not interchangeable; ← new for old; → old for new

REF.No	Part No.	Description	Q'ty	S.No.	I/C	REMARKS	Weight (kgf)	Weight (lb)
001	70741-58410	MAST, TOP	1				2.5	5.5
002	70741-58420	LINK, SUPPORT	2				1.375	3.025
003	01170-51802	BOLT	1				0	0
004	01170-51801	BOLT	1				0	0
005	02174-50180	NUT	2				0.029	0.0638
006	04512-50180	WASHER, SPRING	2				0	0
007	01173-51675	BOLT	2				0.133	0.2926
008	04512-50160	WASHER, SPRING	2				0	0
009	02174-50160	NUT	2				0.022	0.0484
010	70741-58430	BAR, SUPPORT	1				1	2.2
011	04512-50160	WASHER, SPRING	2				0	0
012	02174-50160	NUT	3				0.022	0.0484
013	70741-58440	PIN, MOUNTING	2				0.31	0.682
014	04512-50200	WASHER, SPRING	2				0	0
015	02174-50200	NUT	2				0.04	0.088

**IMAGE NOT AVAILABLE**



# ACCESSORIES AND SERVICE PARTS

↔ Interchangeable; ≠ not interchangeable; ← new for old; → old for new

REF.No	Part No.	Description	Q'ty	S.No.	I/C	REMARKS	Weight (kgf)	Weight (lb)
001	70741-55850	BLADE,CURVED LH	10				0.75	1.65
002	70741-55860	BLADE,CURVED RH	10				0.75	1.65
003	70741-55700	ASSY SET PARTS	1				0	0
004	70741-59710	PARTS LIST	1				0.1	0.22
005	70494-58110	ASY JOINT,UNIVERSAL	1				9.6	21.12