

Instructions for Parts Books

The heading at the top of the page will be the same for the picture of the parts as it is for the page with the part numbers.

Definition of column headings on part number pages:

REF.No → The number referring to the part on the picture page of the parts book.

Part No. → The number assigned to this part at the time of printing the parts book.

Description → Description of part.

Q'ty → Quantity of part used on that page.

S.No. → Serial number range of the equipment that this part will fit.

>= Your serial number should be greater than or equal to the number shown.

<= Your serial number should be lesser than or equal to the serial number shown.

I/C → Interchangeability of part shown.

↔ The part shown will work for the older and later serial number.

The part shown is not interchangeable with the other serial number.

← new for old

→ old for new

Remarks → Notes about this particular part. Sometimes this may say except [FR] or [CA]

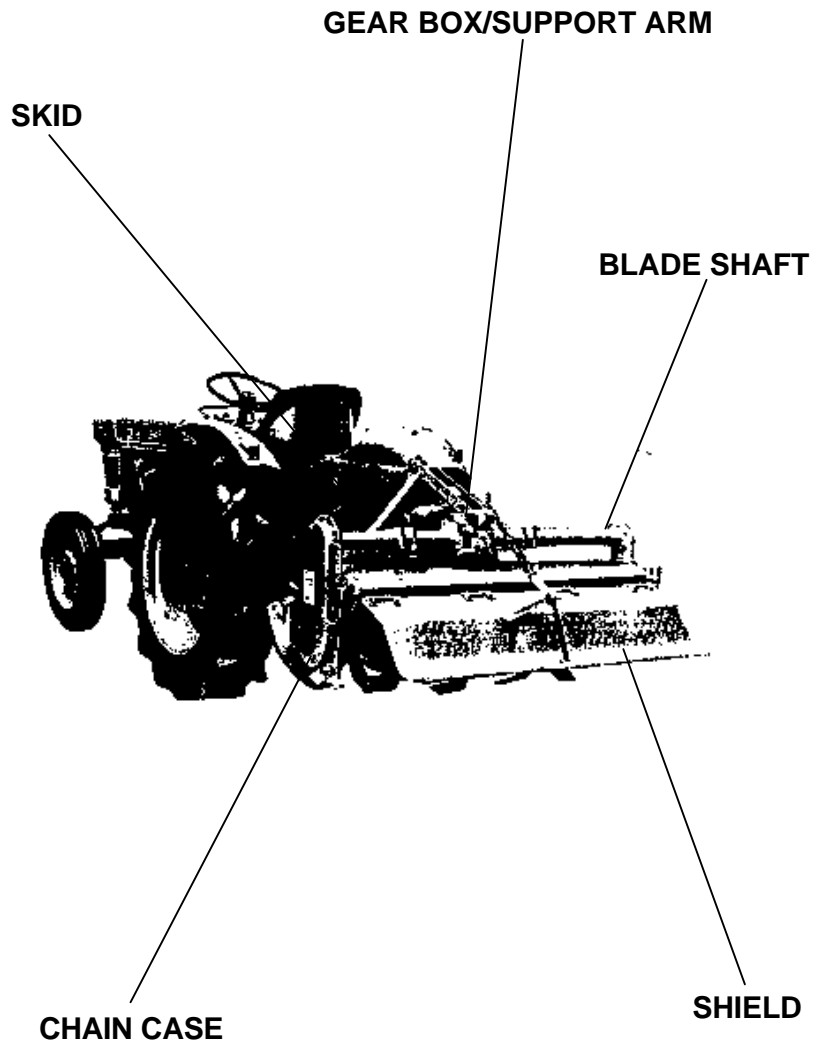
Note about Country Codes:

The parts books we use in the United States of America may also contain information about a part that would be different in another country. It is important that you are aware of the country codes in some instances.

Symbol	Country
A	United States of America
CA	Canada
FR	France
GR	Greece
PO	Portugal
AU	Australia

If the remarks column says for example EXCEPT [FR] this part works in all countries except France. That means it will work here in the USA.

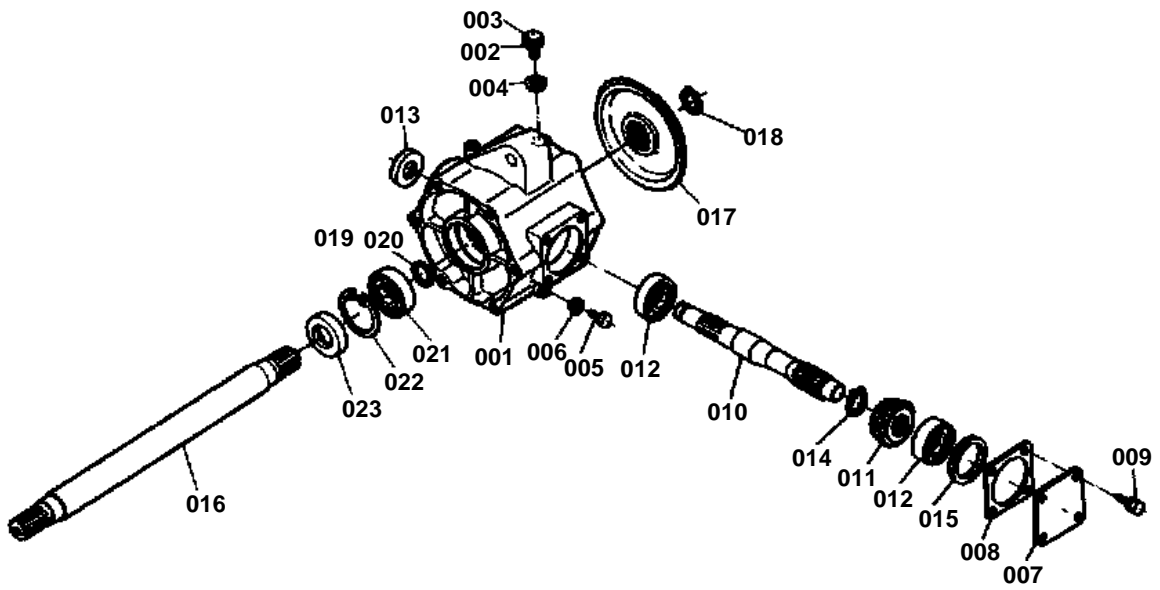
ALL PRODUCT INDEX
FL850



ACCESSORIES

Item	Part No.	Description	Book
GEAR BOX/SUPPORT ARM	011001	GEAR CASE	100K0375
	011002	ROTARY SUPPORT	100K0375
CHAIN CASE	011003	CHAIN CASE	100K0375
BLADE SHAFT	011004	BLADE SHAFT	100K0375
SHIELD	011005	ROTARY COVER	100K0375
SKID	011006	SKID	100K0375
GEAR BOX/SUPPORT ARM	011007	JOINT	100K0375
ACCESSORIES	011008	ACCESSORY AND SERVICE PARTS GROUP	100K0375

GEAR CASE

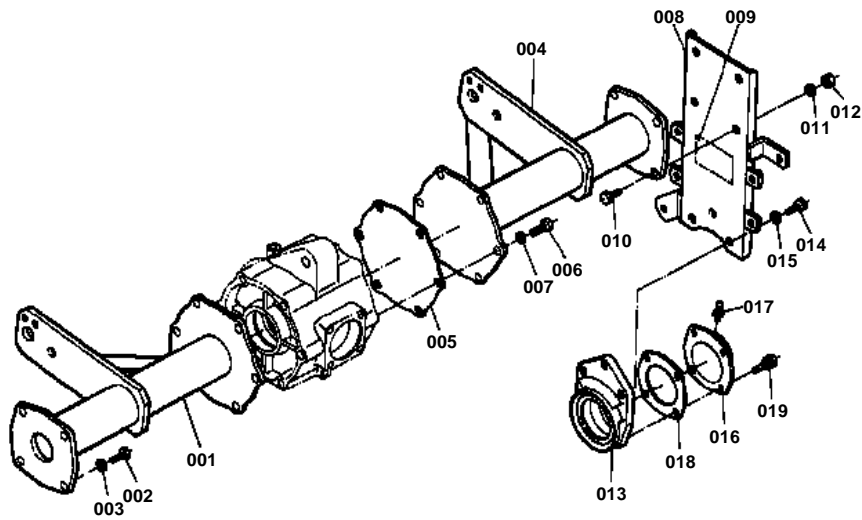


**GEAR CASE**

↔ Interchangeable; ≠ not interchangeable; ← new for old; → old for new

REF.No	Part No.	Description	Q'ty	S.No.	I/C	REMARKS	Weight (kgf)	Weight (lb)
001	70710-51110	CASE,GEAR	1				6	13.2
002	06331-35020	PLUG	1				0.068	0.1496
003	70710-51120	LABEL	1				0	0
004	04724-00200	GASKET	1				0.003	0.0066
005	06331-35010	PLUG	1				0.012	0.0264
006	04717-01000	WASHER,SEAL	1				0.001	0.0022
007	79205-51310	COVER	1				0.205	0.451
008	79205-51320	GASKET	1				0	0
009	01133-51020	BOLT	4				0.02	0.044
010	70710-51140	SHAFT,PINION	1				1.06	2.332
011	79205-51120	GEAR,BEVEL 15	1				0.24	0.528
012	08101-06305	BEARING,BALL	2			(6305)	0.23	0.506
013	09500-25478	SEAL,OIL	1			(TC25*47*8)	0.014	0.0308
014	04612-00300	CIR-CLIP,EXTERNAL	1				0.003	0.0066
015	70710-51130	COLLAR	1				0.04	0.088
016	70710-51610	SHAFT,DRIVE	1			FL850	3.77	8.294
017	79205-51220	GEAR,BEVEL 36	1				0.1	0.22
018	04612-00300	CIR-CLIP,EXTERNAL	1				0.003	0.0066
019	79205-51230	SHIM 1	2				0.002	0.0044
020	79205-51240	SHIM 2	1				0.001	0.0022
021	08101-06206	BEARING,BALL	1			(6206)	0.196	0.4312
022	04611-00620	CIR-CLIP,INTERNAL	1				0.011	0.0242
023	09503-56212	SEAL,OIL	1				0.03	0.066

ROTARY SUPPORT

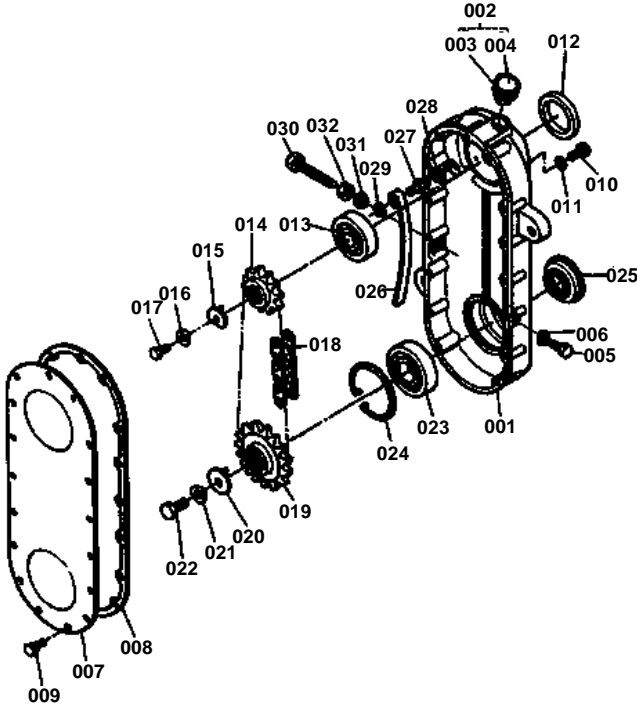


**ROTARY SUPPORT**

↔ Interchangeable; ≠ not interchangeable; ← new for old; → old for new

REF.No	Part No.	Description	Q'ty	S.No.	I/C	REMARKS	Weight (kgf)	Weight (lb)
001	70710-52210	SUPPORT,ROTARY 1	1			FL850	0	0
002	01173-51228	BOLT	6				0.036	0.0792
003	04512-50120	WASHER,SPRING	6				0	0
004	70710-52340	SUPPORT,ROTARY 2	1			FL850	0	0
005	70710-52350	GASKET	1				0.02	0.044
006	01173-51228	BOLT	6				0.036	0.0792
007	04512-50120	WASHER,SPRING	6				0	0
008	70710-54110	FRAME,SIDE	1				1.9	4.18
009	70710-54120	LABEL	1			FL850	0.001	0.0022
010	01173-51228	BOLT	4				0.036	0.0792
011	04512-50120	WASHER,SPRING	4				0	0
012	02174-50120	NUT	4				0.01	0.022
013	70710-54320	HOLDER	1				0	0
014	01173-51220	BOLT	3				0.03	0.066
015	04512-50120	WASHER,SPRING	3				0	0
016	66613-32620	COVER	1				0.14	0.308
017	06613-10675	NIPPLE,GREASE	1				0.003	0.0066
018	66603-32460	GASKET	1				0.006	0.0132
019	01123-50816	BOLT	4				0.011	0.0242

CHAIN CASE

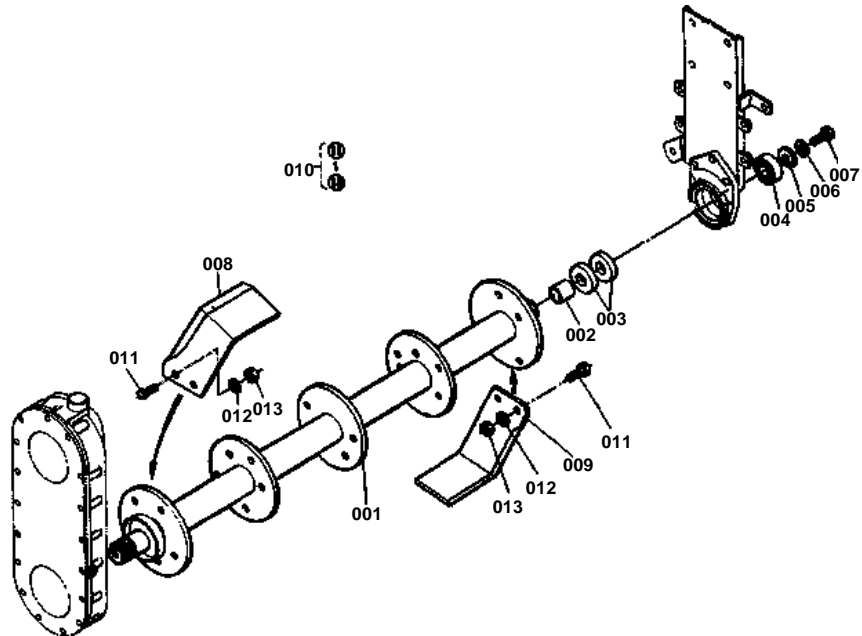


**CHAIN CASE**

↔ Interchangeable; ≠ not interchangeable; ← new for old; → old for new

REF.No	Part No.	Description	Q'ty	S.No.	I/C	REMARKS	Weight (kgf)	Weight (lb)
001	70710-53220	CASE,CHAIN	1				0	0
002	70710-53240	ASSY PLUG,OIL FILLER	1			REF.No.003,004	0.024	0.0528
003	99999-99999	BLANK	0			ORDER BY REF.No.002	0	0
004	70710-53260	LABEL 2	1				0.001	0.0022
005	01150-50814	BOLT	2				0.01	0.022
006	04717-00800	WASHER,SEAL	2				0.001	0.0022
007	70710-53270	COVER,CHAIN CASE	1				0	0
008	70710-53280	GASKET	1				0	0
009	01123-50816	BOLT	17				0.011	0.0242
010	01173-51228	BOLT	4				0.036	0.0792
011	04512-50120	WASHER,SPRING	4				0	0
012	09230-35726	SEAL,OIL	1			(VC35*72*6)	0.035	0.077
013	08101-06306	BEARING,BALL	1			(6306)	0.335	0.737
014	79205-51530	SPROCKET 11	1				0.235	0.517
015	63134-32420	WASHER,SPROCKET	1				0.024	0.0528
016	63134-32430	WASHER,LOCK	1				0.002	0.0044
017	01073-51020	BOLT	1				0.024	0.0528
018	70710-53410	CHAIN	1				2.15	4.73
019	70710-53430	SPROCKET 16	1				0.44	0.968
020	66613-33140	PLATE,LOCK	1				0.045	0.099
021	66613-33150	WASHER,LOCK	1				0.006	0.0132
022	01173-51225	BOLT	1				0.033	0.0726
023	08101-06307	BEARING,BALL	1			(6307)	0.44	0.968
024	04611-00800	CIR-CLIP,INTERNAL	1				0.02	0.044
025	66613-32340	SEAL,OIL	1				0.096	0.2112
026	70710-53520	TIGHTENER	1				0.1	0.22
027	65072-32150	PIN,TIGHTENER	1				0.025	0.055
028	04717-01000	WASHER,SEAL	1				0.001	0.0022
029	04613-00100	CIR-CLIP,EXTERNAL	1				0.001	0.0022
030	70710-53540	BOLT,TIGHTENER	1				0.08	0.176
031	04724-00120	GASKET	1				0.002	0.0044
032	02174-50120	NUT	1				0.01	0.022

BLADE SHAFT



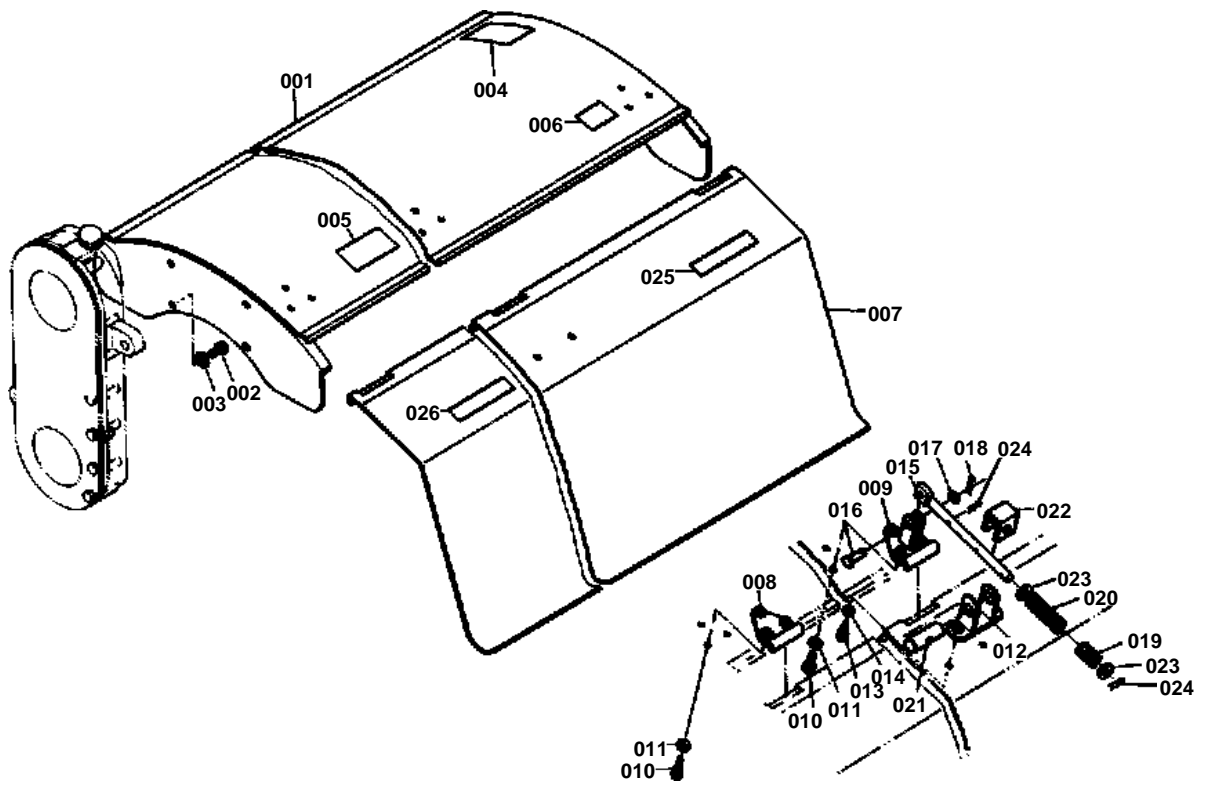


BLADE SHAFT

↔ Interchangeable; ≠ not interchangeable; ← new for old; → old for new

REF.No	Part No.	Description	Q'ty	S.No.	I/C	REMARKS	Weight (kgf)	Weight (lb)
001	70710-54340	ASSY SHAFT, BLADE	1			FL850	18	39.6
002	66613-33160	BUSH, BLADE SHAFT	1				0.096	0.2112
003	09400-45629	SEAL, OIL	2			(SC45*62*9)	0	0
004	08101-06207	BEARING, BALL	1			(6207)	0.282	0.6204
005	66613-33140	PLATE, LOCK	1				0.045	0.099
006	66613-33150	WASHER, LOCK	1				0.006	0.0132
007	01173-51225	BOLT	1				0.033	0.0726
008	70741-55850	BLADE, 574 LH	6				0.75	1.65
009	70741-55860	BLADE, 574 RH	6				0.75	1.65
010	70710-54400	ASSY PARTS, BLADE SET	1			REF.No.011 TO 013	1.2	2.64
011	99999-99999	BLANK	0			ORDER BY REF.No.010	0	0
012	99999-99999	BLANK	0			ORDER BY REF.No.010	0	0
013	99999-99999	BLANK	0			ORDER BY REF.No.010	0	0

ROTARY COVER

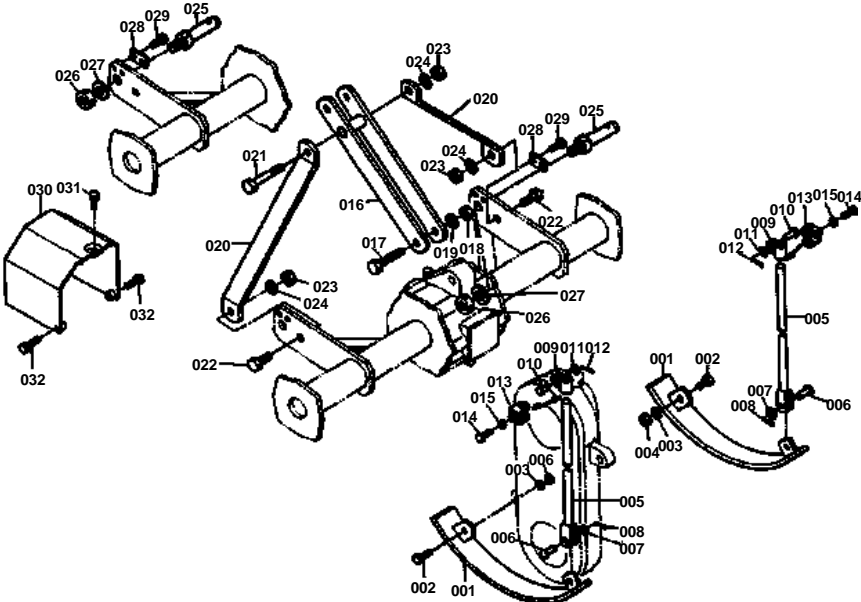




ROTARY COVER

↔ Interchangeable; ≠ not interchangeable; ← new for old; → old for new

REF.No	Part No.	Description	Q'ty	S.No.	I/C	REMARKS	Weight (kgf)	Weight (lb)
001	70710-55200	ASSY COVER,ROTARY	1			FL850	0	0
002	01133-51022	BOLT	8				0.025	0.055
003	04013-50100	WASHER,PLAIN	8				0	0
004	70710-55260	LABEL	1				0.004	0.0088
005	70710-55270	LABEL	1				0.006	0.0132
006	70710-55280	LABEL	1				0.003	0.0066
007	70710-55300	ASSY REAR COVER	1			FL850	10.8	23.76
008	79205-52320	REAR COVER,HINGE	2			FL850	0	0
009	70710-55350	REAR COVER,HINGE 2	1			FL850	0	0
010	01123-50820	BOLT	9				0.011	0.0242
011	04015-50080	WASHER,PLAIN	9				0	0
012	70710-55360	BRACKET	1			FL850	0.22	0.484
013	01133-51022	BOLT	2			FL850	0.025	0.055
014	04015-50100	WASHER,PLAIN	2			FL850	0.016	0.0352
015	70710-55370	ROD	1			FL850	0.3	0.66
016	05122-51028	PIN,JOINT	1			FL850	0	0
017	04011-50100	WASHER,PLAIN	1			FL850	0.002	0.0044
018	05515-51000	PIN,SNAP	1			FL850	0	0
019	70451-56270	SPRING 1	1			FL850	0	0
020	70710-55380	SPRING 2	1			FL850	0.05	0.11
021	70451-56350	PIN	1			FL850	0.19	0.418
022	70451-56360	PIECE,DISTANCE	1			FL850	0.09	0.198
023	70451-56310	WASHER	2			FL850	0.02	0.044
024	70451-56320	PIN,SNAP	2			FL850	0.025	0.055
025	70710-55390	LABEL	1				0.003	0.0066
026	70494-56320	LABEL	1				0.005	0.011

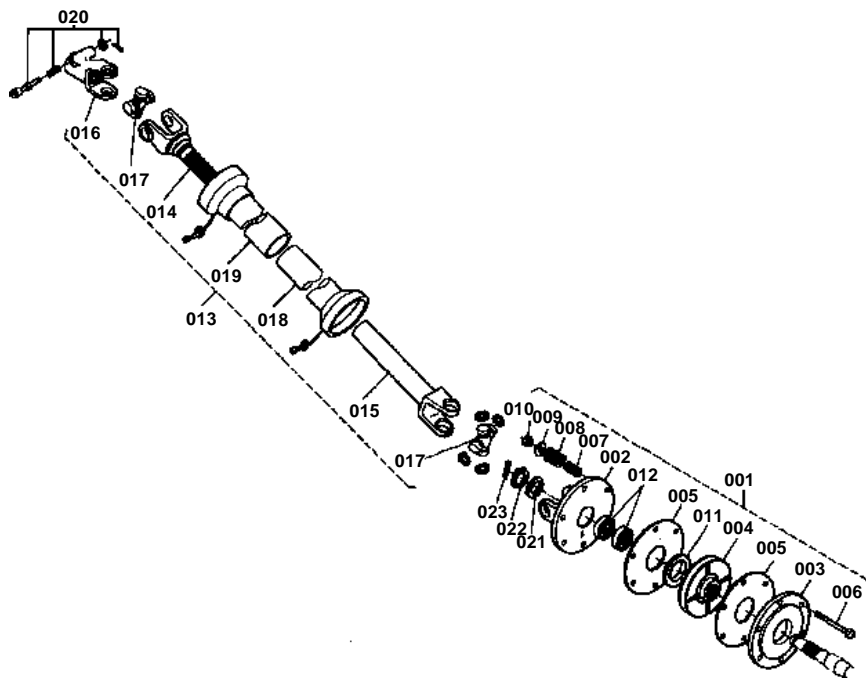


**SKID**

↔ Interchangeable; ≠ not interchangeable; ← new for old; → old for new

REF.No	Part No.	Description	Q'ty	S.No.	I/C	REMARKS	Weight (kgf)	Weight (lb)
001	70710-56210	SKID	2				1.73	3.806
002	01173-51235	BOLT	2				0.04	0.088
003	04512-50120	WASHER,SPRING	2				0	0
004	02174-50120	NUT	2				0.01	0.022
005	79205-53150	SUPPORT,SKID	2				0.7	1.54
006	05122-51228	PIN,JOINT	2				0.03	0.066
007	04011-50120	WASHER,PLAIN	2				0.005	0.011
008	05511-50425	PIN,SPLIT	2				0.003	0.0066
009	79205-53210	U-PIECE 1	2				0.14	0.308
010	05122-51028	PIN,JOINT	2				0	0
011	04011-50100	WASHER,PLAIN	2				0.002	0.0044
012	05511-50318	PIN,SPLIT	2				0.001	0.0022
013	79205-53220	U-PIECE 2	2				0.108	0.2376
014	01175-51232	BOLT	2				0.04	0.088
015	02172-50120	NUT	2				0.01	0.022
016	70710-56420	MAST, TOP	1				2.1	4.62
017	01173-51475	BOLT	1				0.107	0.2354
018	02174-50140	NUT	1				0.014	0.0308
019	04512-50140	WASHER,SPRING	1				0	0
020	70710-56440	LINK,SUPPORT	2				1.13	2.486
021	01173-51495	BOLT	1				0.13	0.286
022	01173-51435	BOLT	2				0.056	0.1232
023	02174-50140	NUT	3				0.014	0.0308
024	04512-50140	WASHER,SPRING	3				0	0
025	70710-56460	PIN	2				0.265	0.583
026	02174-50180	NUT	2				0.029	0.0638
027	04512-50180	WASHER,SPRING	2				0	0
028	70710-56480	PLATE,LOCK	2				0.02	0.044
029	01123-50816	BOLT	4				0.011	0.0242
030	70710-56620	COVER,CLUTCH	1				0.58	1.276
031	01123-50816	BOLT	1				0.011	0.0242
032	01123-50825	BOLT	2				0.013	0.0286

JOINT





JOINT

↔ Interchangeable; ≠ not interchangeable; ← new for old; → old for new

REF.No	Part No.	Description	Q'ty	S.No.	I/C	REMARKS	Weight (kgf)	Weight (lb)
001	70710-61100	ASSY CLUTCH	1			REF.NO.002 TO 012	5.4	11.88
002	70710-61110	YOKE,JOINT	1				1.94	4.268
003	70710-61120	PLATE	1				1.22	2.684
004	70710-61130	ASSY DISK	1				1.3	2.86
005	70710-61140	PLATE	2				0.135	0.297
006	70710-61150	BOLT	6				0.063	0.1386
007	70710-61160	SPRING 1	6				0.025	0.055
008	70710-61170	SPRING 2	6				0.06	0.132
009	70710-61180	WASHER	6				0.01	0.022
010	70710-61190	NUT	6				0.01	0.022
011	70710-61210	FELT	1				0.002	0.0044
012	70710-61220	BEARING,BALL	2				0.065	0.143
013	70710-61300	ASSY JOINT,UNIVERSAL	1			REF.No.014 TO 020	0	0
014	70710-61310	JOINT 1	1				1.63	3.586
015	70710-61320	JOINT 2	1				1.73	3.806
016	70710-61330	YOKE	1				0.66	1.452
017	70710-61340	ASSY SPIDER	2				0.33	0.726
018	70710-61350	ASSY COVER 1	1				0.2	0.44
019	70710-61360	ASSY COVER 2	1				0.2	0.44
020	70415-52250	ASSY PIN,LOCK	1				0.057	0.1254
021	79205-51140	COLLAR	1				0.003	0.0066
022	04612-00200	CIR-CLIP,EXTERNAL	1				0.001	0.0022
023	05511-50425	PIN,SPLIT	1				0.003	0.0066

IMAGE NOT AVAILABLE