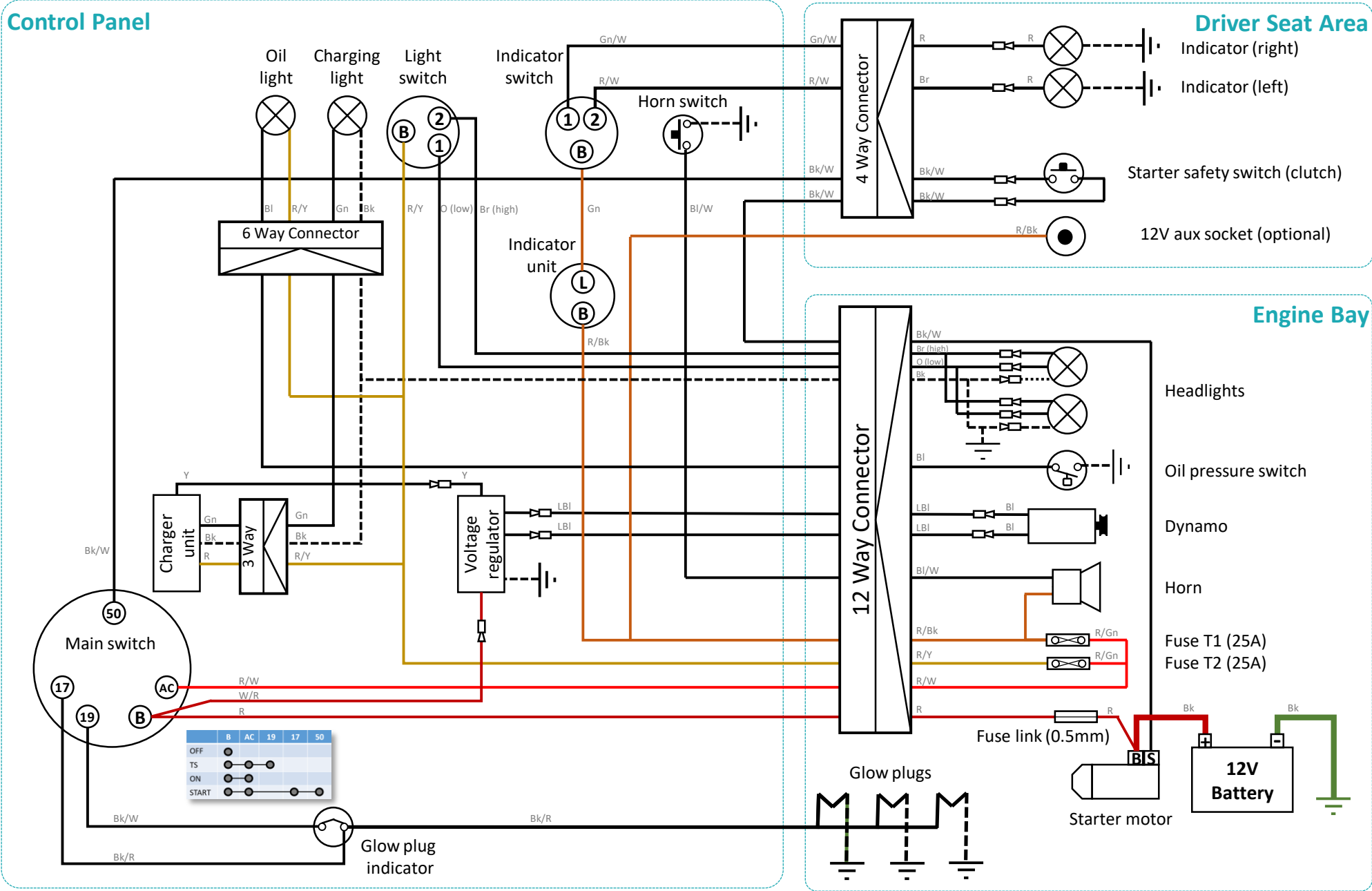
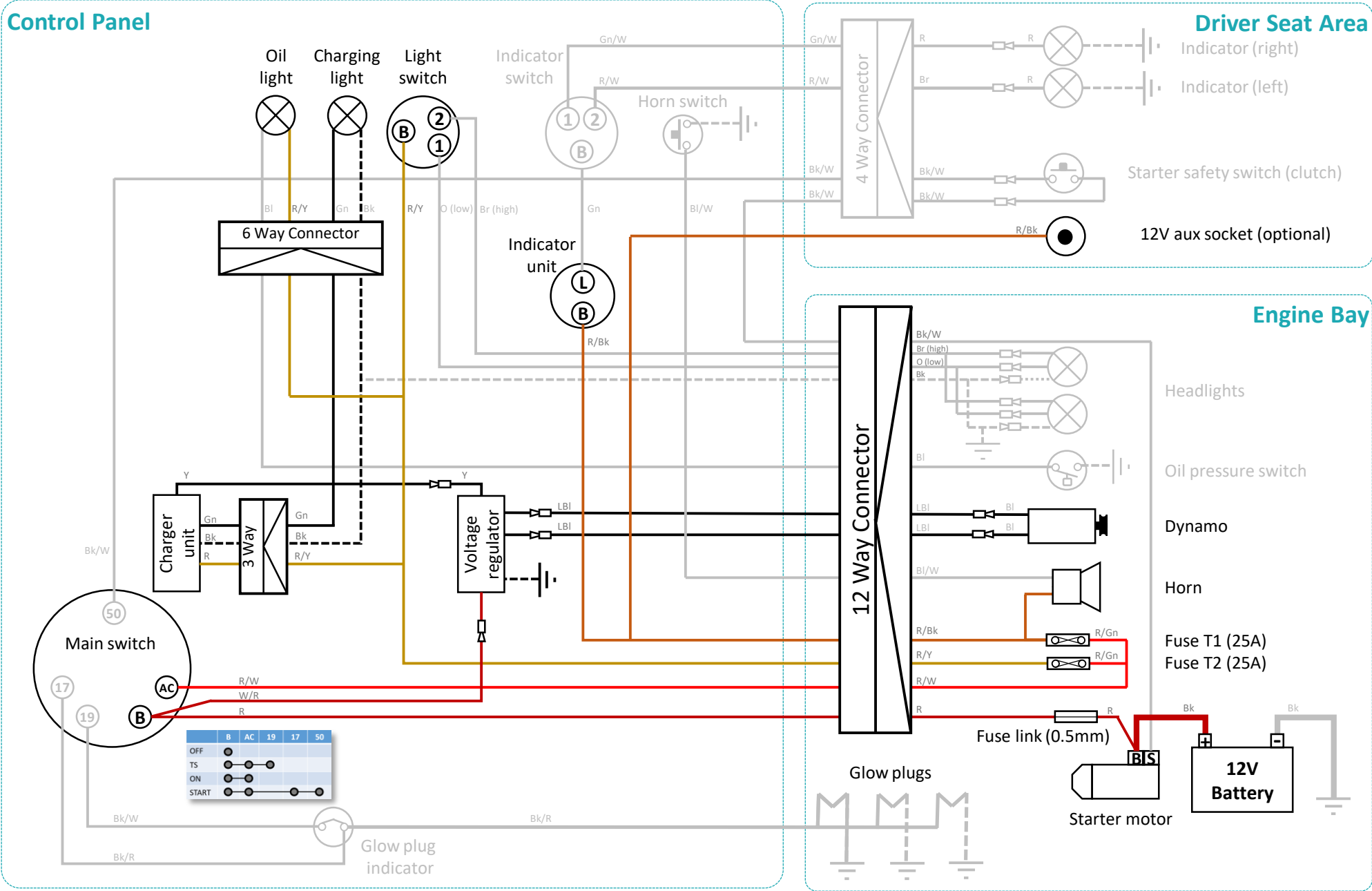


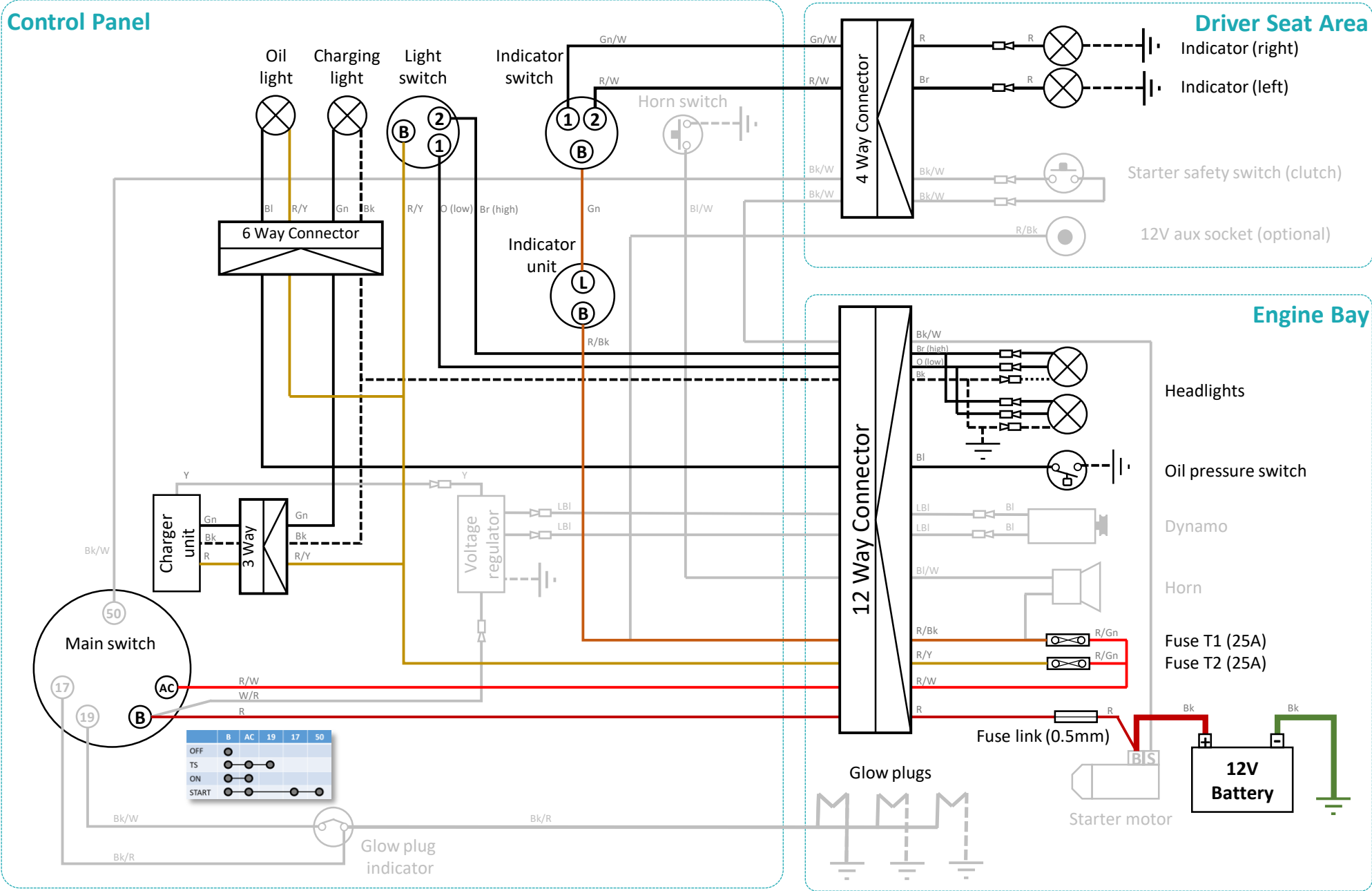
# Kobota B1600 Wiring Diagram - Full



# Kobota B1600 Wiring Diagram – Power Supply & Charging



# Kobota B1600 Wiring Diagram - Lights



	B	AC	19	17	50
OFF	●	●	●	●	●
TS	●	●	●	●	●
ON	●	●	●	●	●
START	●	●	●	●	●

# Kobota B1600 Wiring Diagram - Starting

