

[1] WIRING DIAGRAM

[1]-1 2WD TYPE

• Color of Wiring

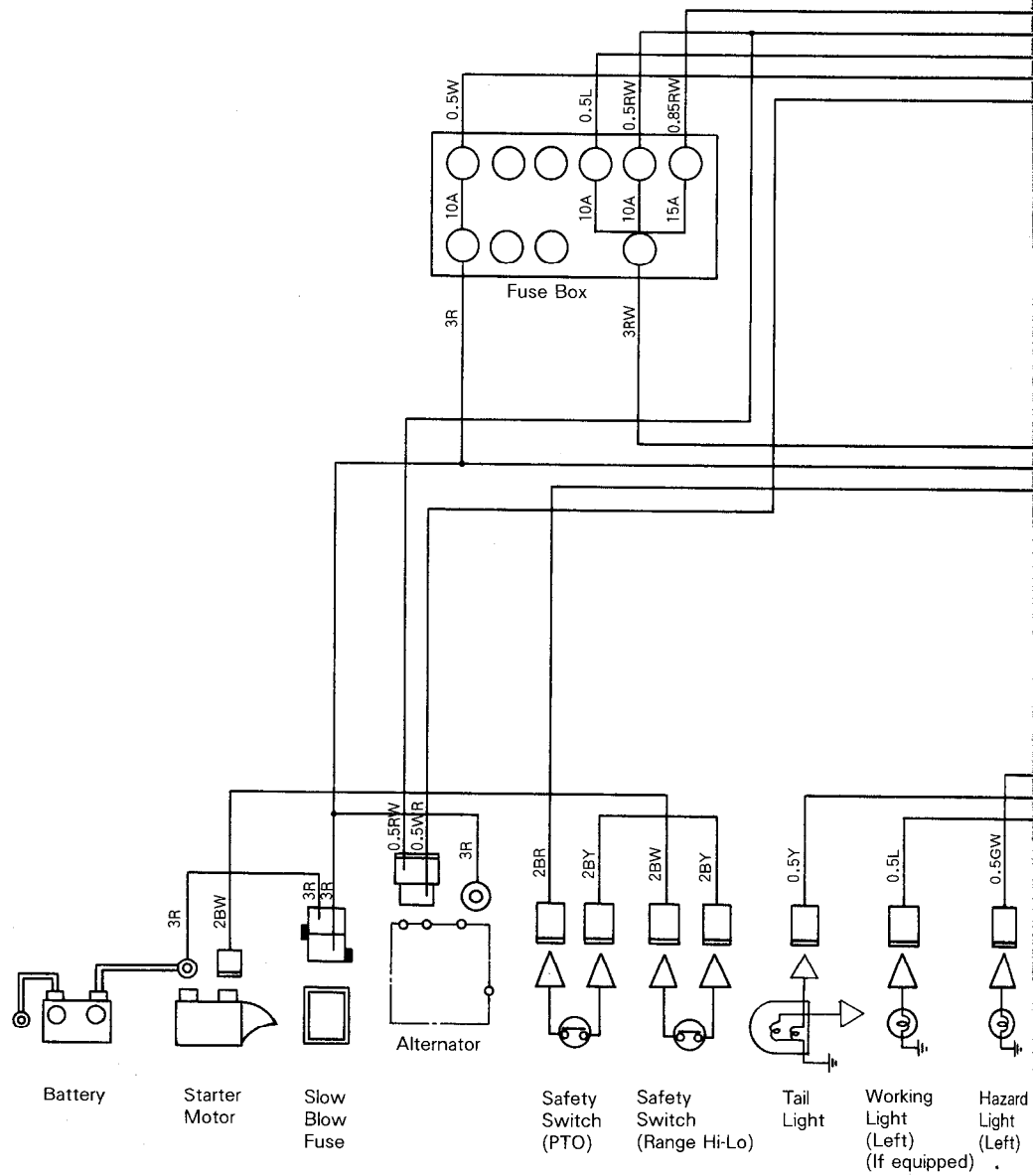
B	-----	Black
W	-----	White
R	-----	Red
G	-----	Green
Or	-----	Orange
Y	-----	Yellow
Br	-----	Brown
L	-----	Blue
Lg	-----	Light Green
WB	-----	White / Black
WR	-----	White / Red
WG	-----	White / Green
BL	-----	Black / Blue
BG	-----	Black / Green
BR	-----	Black / Red
BW	-----	Black / White
BY	-----	Black / Yellow
BrB	-----	Brown / Black
RB	-----	Red / Black
RW	-----	Red / White
RY	-----	Red / Yellow
GB	-----	Green / Black
GW	-----	Green / White
GR	-----	Green / Red
GY	-----	Green / Yellow
YR	-----	Yellow / Red
YB	-----	Yellow / Black
YG	-----	Yellow / Green
LW	-----	Blue / White
LR	-----	Blue / Red
OrW	-----	Orange / White

[2WD TYPE]

Hour Meter

- No.1: To the ground
- 2: From the main switch AC
- 3: From the main switch AC

- 4: To the engine oil pressure lamp
- 5: To the charge lamp
- 6: To the illumination lamp



12040F90010

