

# Instructions for Parts Books

The heading at the top of the page will be the same for the picture of the parts as it is for the page with the part numbers.

Definition of column headings on part number pages:

**REF.No** → The number referring to the part on the picture page of the parts book.

**Part No.** → The number assigned to this part at the time of printing the parts book.

**Description** → Description of part.

**Q'ty** → Quantity of part used on that page.

**S.No.** → Serial number range of the equipment that this part will fit.

>= Your serial number should be greater than or equal to the number shown.

<= Your serial number should be lesser than or equal to the serial number shown.

**I/C** → Interchangeability of part shown.

↔ The part shown will work for the older and later serial number.

# The part shown is not interchangeable with the other serial number.

← new for old

→ old for new

**Remarks** → Notes about this particular part. Sometimes this may say except [FR] or [CA]

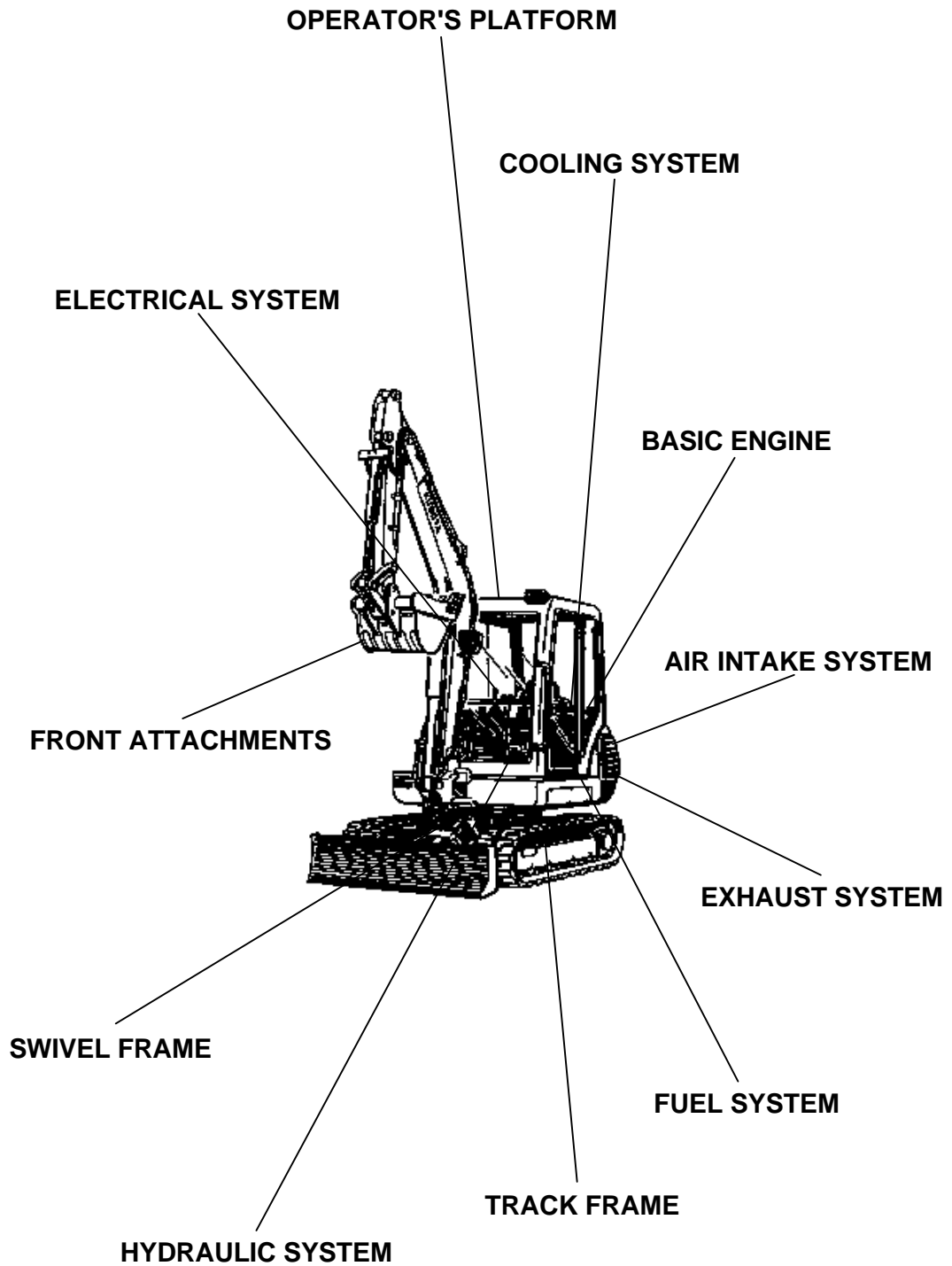
## Note about Country Codes:

The parts books we use in the United States of America may also contain information about a part that would be different in another country. It is important that you are aware of the country codes in some instances.

Symbol	Country
A	United States of America
CA	Canada
FR	France
GR	Greece
PO	Portugal
AU	Australia

If the remarks column says for example EXCEPT [FR] this part works in all countries except France. That means it will work here in the USA.

ALL PRODUCT INDEX  
KX91-2



ACCESSORIES

Item	Part No.	Description	Book	
BASIC ENGINE	01S001	CRANKCASE	100A0035	
	01S002	OIL PAN	100A0035	
	01S003	PISTON AND CRANKSHAFT	100A0035	
	01S004	MAIN BEARING CASE	100A0035	
	01S005	CAMSHAFT	100A0035	
	01S006	CYLINDER HEAD	100A0035	
	01S007	VALVE AND ROCKER ARM	100A0035	
	01S008	CYLINDER HEAD COVER	100A0035	
	01S009	GEAR CASE	100A0035	
	FUEL SYSTEM	01S013	NOZZLE HOLDER,GLOW PLUG	100A0035
01S014		NOZZLE HOLDER [COMPONENT PARTS]	100A0035	
01S015		SPEED CONTROL PLATE	100A0035	
01S016		STOP SOLENOID	100A0035	
01S017		GOVERNOR	100A0035	
01S018		INJECTION PUMP	100A0035	
01S020		FUEL CAMSHAFT	100A0035	
COOLING SYSTEM		01S025	WATER FLANGE	100A0035
		01S026	WATER PUMP	100A0035
	ELECTRICAL SYSTEM	01S029	FLYWHEEL,STARTER	100A0035
01S030		STARTER [COMPONENT PARTS]	100A0035	
01S031		ALTERNATOR	100A0035	
01S032		ALTERNATOR [COMPONENT PARTS]	100A0035	
BASIC ENGINE	02S010	ENGINE BRACKET	100A0035	
AIR INTAKE SYSTEM	02S011	AIR CLEANER,INLET MANIFOLD	100A0035	
EXHAUST SYSTEM	02S012	MUFFLER,EXHAUST MANIFOLD	100A0035	
FUEL SYSTEM	02S021	ACCEL LEVER	100A0035	
	02S022	FUEL PIPING	100A0035	
	02S023	FUEL FILTER [COMPONENT PARTS]	100A0035	
	02S024	FUEL TANK	100A0035	
COOLING SYSTEM	02S027	RADIATOR	100A0035	
	02S028	WATER PIPE	100A0035	
ELECTRICAL SYSTEM	02S033	BATTERY	100A0035	
	02S034	TIMER,HORN	100A0035	
HYDRAULIC SYSTEM	02S035	SWITCH,METER	100A0035	
	02S036	LIGHT	100A0035	
	02S037	ELECTRICAL WIRING	100A0035	
	02S038	PUMP HOUSING	100A0035	
	02S039-1	PISTON PUMP AND COMPONENT PARTS	100A0035	
	02S039-2	PISTON PUMP AND COMPONENT PARTS	100A0035	
	02S040	HYDRAURIC PUMP AND COMPONENT PARTS	100A0035	
	02S041-1	DRIVE MOTOR AND COMPONENT PARTS	100A0035	
	02S041-2	DRIVE MOTOR AND COMPONENT PARTS	100A0035	
	02S042	SWIVEL MOTOR AND COMPONENT PARTS	100A0035	
	02S043	ROTARY JOINT	100A0035	
	02S044	OIL TANK	100A0035	
	02S045	CONTROL VALVE	100A0035	
	02S046	CONTROL VALVE [COMPONENT PARTS]	100A0035	
	02S047-1	SPOOL SECTION (BUCKET)	100A0035	
	02S047-2	SPOOL SECTION (BOOM)	100A0035	
02S047-3	SPOOL SECTION (TRAVEL RH)	100A0035		
02S047-4	SPOOL SECTION (TRAVEL LH)	100A0035		
02S047-5	SPOOL SECTION (ARM)	100A0035		
02S047-6	SPOOL SECTION (S/P)	100A0035		
02S047-7	SPOOL SECTION (TRAVEL STRAIGHT)	100A0035		
02S047-8	SPOOL SECTION (SWING/BLADE)	100A0035		
02S047-9	SPOOL SECTION (SWIVEL)	100A0035		
02S048	CHANGE VALVE	100A0035		

Item	Part No.	Description	Book
HYDRAULIC SYSTEM	02S049-1	CHANGE VALVE [COMPONENT PARTS]	100A0035
	02S049-2	CHANGE VALVE [COMPONENT PARTS]	100A0035
	02S050-1	MULTI VALVE	100A0035
	02S050-2	TPSS VALVE	100A0035
	02S051-1	MULTI VALVE [COMPONENT PARTS]	100A0035
	02S051-2	TPSS VALVE [COMPONENT PARTS]	100A0035
	02S052	CONTROL LEVER (FRAME)	100A0035
	02S053	CONTROL LEVER (LEVER LH)	100A0035
	02S054	CONTROL LEVER (LEVER RH)	100A0035
	02S055	PILOT VALVE [COMPONENT PARTS]	100A0035
	02S056	CONTROL LEVER (TRAVEL LH)	100A0035
	02S057	CONTROL LEVER (TRAVEL RH)	100A0035
	02S058	CONTROL TRAVEL PEDAL	100A0035
	02S059	CONTROL LEVER (SAFETY LOCK LEVER)	100A0035
	02S060	CONTROL PEDAL (SWIVEL/SWING CHANGE)	100A0035
	02S061-1	CONTROL LEVER (TPSS)	100A0035
	02S061-2	CONTROL LEVER (TPSS)	100A0035
	02S062	CONTROL LEVER (BLADE)	100A0035
	02S063	CONTROL LEVER (S/P 1)	100A0035
	02S064	CONTROL LEVER (S/P 2)	100A0035
	02S065	OIL PIPING (SUCTION)	100A0035
	02S066	OIL PIPING (DELIVERY)	100A0035
	02S067	OIL PIPING (RETURN)	100A0035
	02S068	OIL PIPING (OIL COOLER)	100A0035
	02S069	OIL PIPING (TRAVEL LH)	100A0035
	02S070	OIL PIPING (TRAVEL RH)	100A0035
	02S071-1	OIL PIPING (SWIVEL 1)	100A0035
	02S071-2	OIL PIPING (SWIVEL 1)	100A0035
	02S071-3	OIL PIPING (SWIVEL 1)	100A0035
	02S072	OIL PIPING (SWIVEL 2)	100A0035
	02S073	OIL PIPING (SWING)	100A0035
	02S074	OIL PIPING (LOCK)	100A0035
	02S075-1	OIL PIPING (BOOM 1)	100A0035
	02S075-2	OIL PIPING (BOOM 1)	100A0035
	02S075-3	OIL PIPING (BOOM 1)	100A0035
	02S076	OIL PIPING (BOOM 2)	100A0035
	02S077-1	OIL PIPING (ARM 1)	100A0035
	02S077-2	OIL PIPING (ARM 1)	100A0035
	02S077-3	OIL PIPING (ARM 1)	100A0035
	02S078	OIL PIPING (ARM 2)	100A0035
	02S079-1	OIL PIPING (BUCKET 1)	100A0035
	02S079-2	OIL PIPING (BUCKET 1)	100A0035
	02S080	OIL PIPING (BUCKET 2)	100A0035
	02S081	OIL PIPING (BLADE)	100A0035
	02S082	OIL PIPING (CLAMP)	100A0035
	02S083	OIL PIPING (S/P)	100A0035
	02S084	BOOM CYLINDER AND COMPONENT PARTS	100A0035
02S085	ARM CYLINDER AND COMPONENT PARTS	100A0035	
02S086	BUCKET CYLINDER AND COMPONENT PARTS	100A0035	
02S087	BLADE CYLINDER AND COMPONENT PARTS	100A0035	
02S088	SWING CYLINDER AND COMPONENT PARTS	100A0035	
FRONT ATTACHMENTS	02S089	SWING BRACKET	100A0035
	02S090	BOOM	100A0035
	02S091	CYLINDER COVER (BOOM)	100A0035
	02S092-1	ARM	100A0035
	02S092-2	ARM (TELESCOPIC)	100A0035
	02S092-3	TELESCOPIC CYLINDER [COMPONENT PARTS]	100A0035

Item	Part No.	Description	Book	
FRONT ATTACHMENTS	02S093-1	BUCKET LINK	100A0035	
	02S093-2	BUCKET LINK (TELESCOPIC)	100A0035	
TRACK FRAME	02S094	BUCKET	100A0035	
	02S095	BLADE	100A0035	
	02S096	TRACK FRAME	100A0035	
	02S097	IDLER	100A0035	
	02S098	TRACK ROLLER	100A0035	
	02S099	CRAWLER	100A0035	
SWIVEL FRAME	02S100	SWIVEL FRAME	100A0035	
	02S101	SWIVEL GEAR CASE	100A0035	
	02S102	SWIVEL GEAR	100A0035	
	02S103	SWIVEL BEARING	100A0035	
	02S104	SEAT SUPPORT	100A0035	
	02S105-1	STEP	100A0035	
	02S105-2	STEP	100A0035	
	02S106	COVER (LEFT)	100A0035	
	02S107	COVER (TANK)	100A0035	
	02S108	INSTRUMENT PANEL	100A0035	
	02S109	BONNET	100A0035	
	02S110	SPONGE (1)	100A0035	
	02S111	SPONGE (2)	100A0035	
	OPERATOR'S PLATFORM	02S112-1	WEIGHT	100A0035
02S112-2		WEIGHT (TELESCOPIC)	100A0035	
02S113		SEAT	100A0035	
02S114		CANOPY	100A0035	
02S115		CABIN (BODY)	100A0035	
02S116		CABIN (DOOR)	100A0035	
02S117		CABIN (WINDOW 1)	100A0035	
02S118		CABIN (WINDOW 2)	100A0035	
02S119		CABIN (SPONGE)	100A0035	
02S120		CABIN (ELECTRICAL WIRING)	100A0035	
02S121		CABIN (WIPER MOTOR)	100A0035	
02S122		CABIN (HEATER)	100A0035	
02S123		CABIN (DEFROSTER)	100A0035	
ACCESSORIES		02S124	LABEL	100A0035
		02S125	ACCESSORIES	100A0035
		02S126	WEIGHT KIT [OPTION]	100A0035
		02S127	LABEL KIT [OPTION]	100A0035



220 15841-7302-0



RG108-801-10



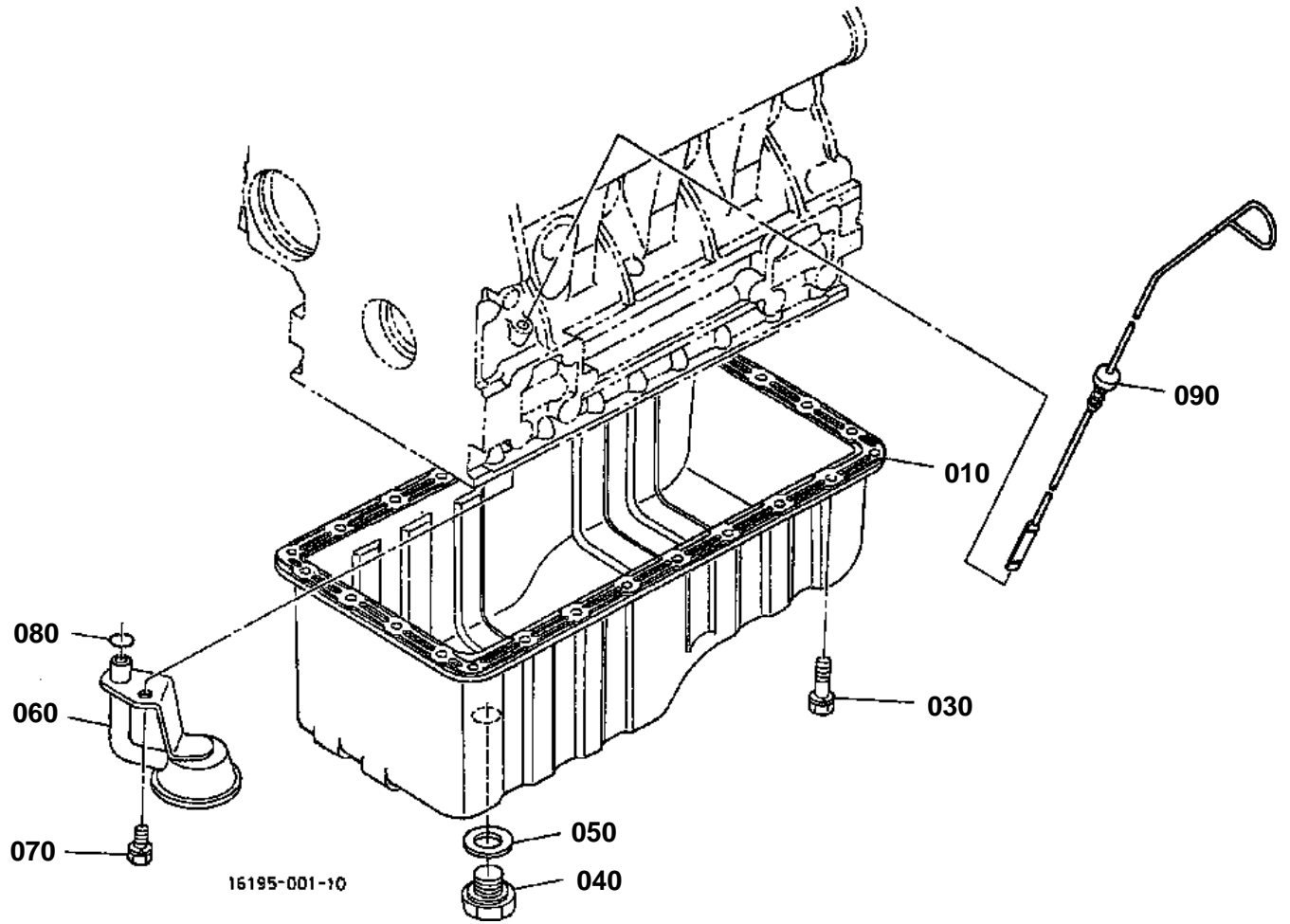
# CRANKCASE

↔ Interchangeable; ≠ not interchangeable; ← new for old; → old for new

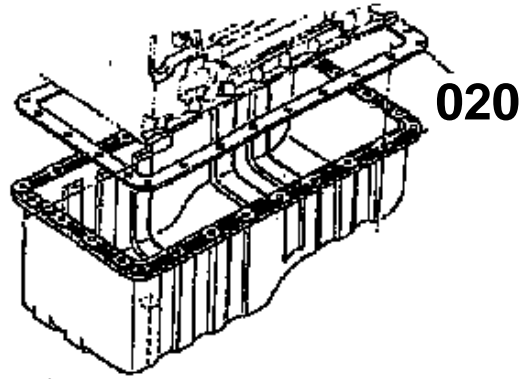
REF.No	Part No.	Description	Q'ty	S.No.	I/C	REMARKS	Weight (kgf)	Weight (lb)
010	16626-01010	COMP.CRANKCASE	1	<=116859			32.5	71.5
010	16626-01013	COMP.CRANKCASE	1	>=116860	≠		52	114.4
020	15451-96270	CAP SEALING	6				0.012	0.0264
030	15221-03490	CAP SEALING	1				0.02	0.044
040	15261-96010	PLUG	4				0.002	0.0044
050	16683-96020	PLUG	1				0.47	1.034
060	16241-96010	PLUG	3				0.007	0.0154
070	15521-96020	PLUG	2				0.003	0.0066
080	17391-96160	PLUG EXPANSION	3				0.003	0.0066
090	16271-96160	PLUG EXPANSION	1				0.025	0.055
100	05012-00508	PIN STRAIGHT	2	<=WT2678			0.001	0.0022
100	16225-94510	PIN STRAIGHT	2	>=WU0001	↔		0.001	0.0022
110	05012-00814	PIN STRAIGHT	2	<=WT2678			0.006	0.0132
110	16221-94530	PIN STRAIGHT	2	>=WU0001	↔		0.006	0.0132
120	05012-00610	PIN STRAIGHT	2	<=WT2678			0.003	0.0066
120	16221-94520	PIN STRAIGHT	2	>=WU0001	↔		0.005	0.011
130	15231-33960	PIN PIPE	2				0.001	0.0022
140	16241-33650	PIN PIPE	1				0.002	0.0044
150	16241-96262	PLUG	1	<=49889			0.007	0.0154
150	16241-96262	PLUG FUEL CAMSHAFT	1	>=49890	←		0.007	0.0154
160	15221-56280	PIN START SPRING	1				0.006	0.0132
170	16282-96010	PLUG	1				0.09	0.198
180	16271-55350	BUSH GOVERNOR GEAR	1				0.06	0.132
190	15221-33610	PLUG	1				0.009	0.0198
200	15021-33660	GASKET	1				0.001	0.0022
210	15221-33700	O RING	1				0.001	0.0022
220	15841-73020	ASSY COCK DRAIN	1	<=139735			0.03	0.066
220	06311-55020	PLUG	1	>=139736	←		0.031	0.0682
230	15531-39010	SWITCH OIL	1				0.032	0.0704
240	04714-00200	GASKET	1	>=139736			0.002	0.0044



# OIL PAN



020 16299-0162-0



16195-800-10

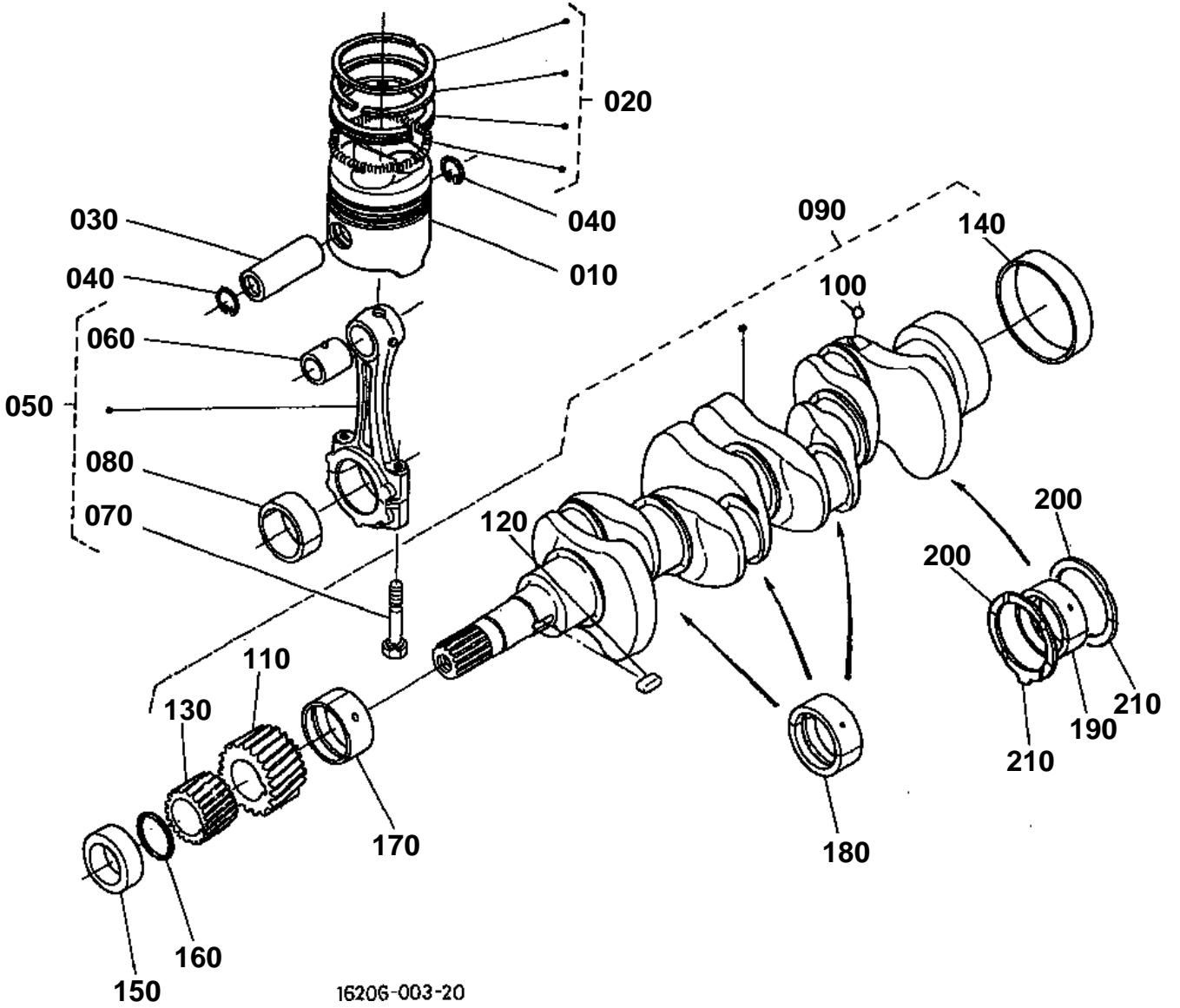


# OIL PAN

↔ Interchangeable; ≠ not interchangeable; ← new for old; → old for new

REF.No	Part No.	Description	Q'ty	S.No.	I/C	REMARKS	Weight (kgf)	Weight (lb)
010	16285-01500	COMP.OIL PAN	1				1.9	4.18
020	16299-01620	GASKET OIL PAN	1	≤=31856			0.003	0.0066
030	01023-50612	BOLT	26				0.005	0.011
040	16541-33750	PLUG DRAIN	1				0	0
050	15451-96670	GASKET	1				0.003	0.0066
060	16241-32114	FILTER OIL	1	≤=XB9999			0.25	0.55
060	16226-32110	FILTER OIL	1	≥=XC0001	←		0.28	0.616
070	01123-60816	BOLT	1				0.01	0.022
080	04814-00160	O RING	1				0.001	0.0022
090	16264-36413	GAUGE OIL	1				0.047	0.1034

PISTON AND CRANKSHAFT



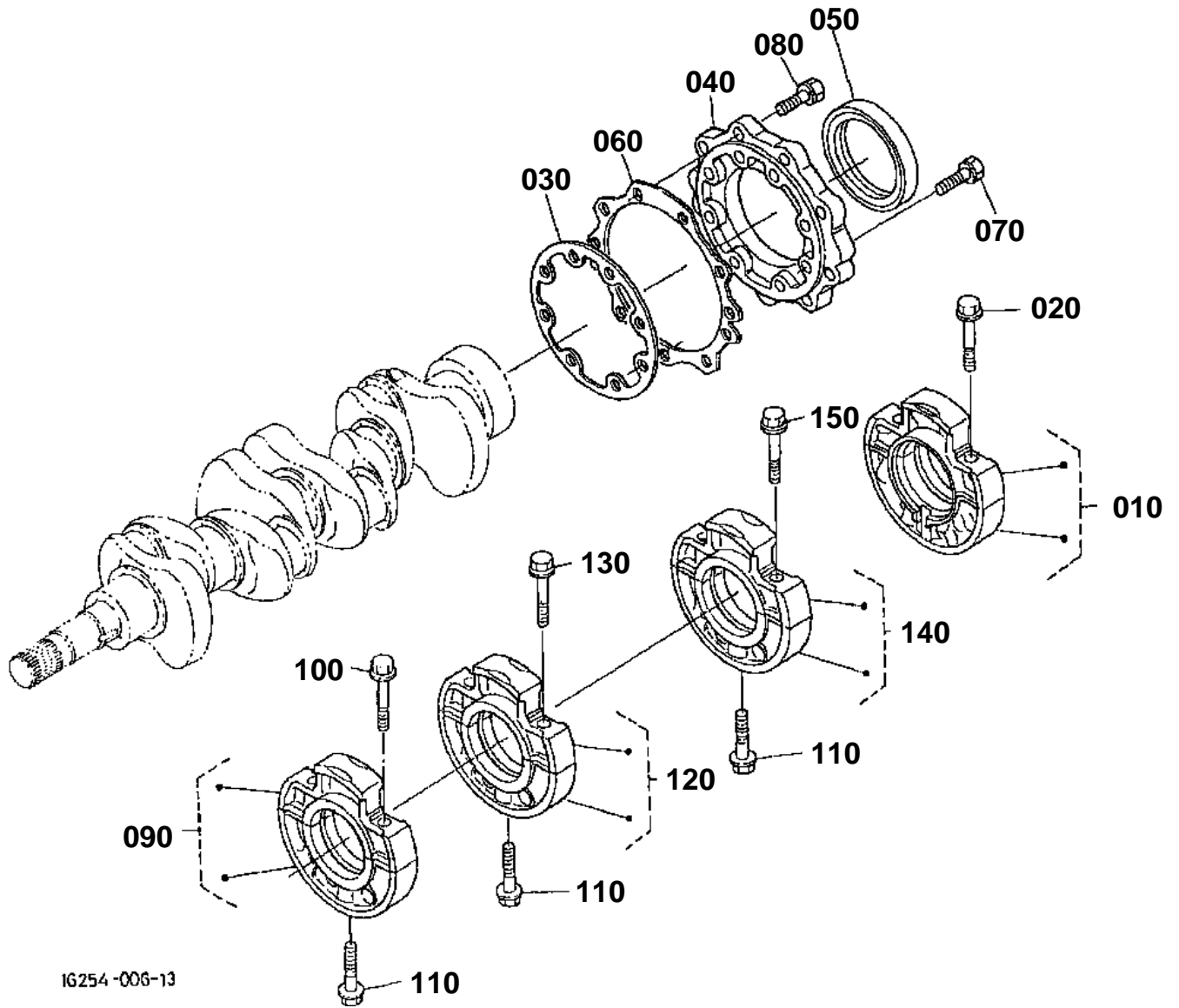


## PISTON AND CRANKSHAFT

↔ Interchangeable; ≠ not interchangeable; ← new for old; → old for new

REF.No	Part No.	Description	Q'ty	S.No.	I/C	REMARKS	Weight (kgf)	Weight (lb)
010	16060-21110	PISTON	4			STD	0.4	0.88
010	16060-21910	PISTON	4			+0.5MM	0.415	0.913
010	16060-21910	PISTON	1		↔		0.415	0.913
020	16261-21050	ASSY PISTON RING	4			STD	0.042	0.0924
020	16261-21090	ASSY PISTON RING	4			+0.5MM	0.05	0.11
030	16241-21310	PIN PISTON	4				0.135	0.297
040	16241-21330	CIR CLIP PISTON PIN	8				0.002	0.0044
050	16241-22012	ASSY ROD CONNECTING	4				0.545	1.199
060	16241-21980	BUSH PISTON PIN	4				0.003	0.0066
070	16241-22140	BOLT CONNECTING ROD	8				0	0
080	16241-22310	METAL CRANKPIN	4			STD SET	0.038	0.0836
080	16241-22970	METAL CRANKPIN	4			-0.2MM SET	0.08	0.176
080	16241-22980	METAL CRANKPIN	4			-0.4MM SET	0.1	0.22
090	16282-23013	COMP.CRANKSHAFT	1				11	24.2
100	07715-00401	BALL	4				0.001	0.0022
110	16241-24110	GEAR CRANK	1				0.15	0.33
120	16271-95230	KEY	1				0.005	0.011
130	16241-35630	GEAR OIL PUMP DRIVE	1				0.102	0.2244
140	16241-23280	SLEEVE CRANKSHAFT	1				0.06	0.132
150	16241-23250	COLLAR CRANKSHAFT	1				0.05	0.11
160	15667-96750	O RING	1	≤=WH4447			0.02	0.044
160	04814-10280	O RING	1	≥=WJ0001	↔		0.001	0.0022
170	16241-23470	METAL CRANKSHAFT	1			STD	0.06	0.132
170	16241-23910	METAL CRANKSHAFT	1			-0.2MM	0.03	0.066
170	16241-23920	METAL CRANKSHAFT	1			-0.4MM	0.068	0.1496
180	16241-23480	METAL CRANKSHAFT	3			STD SET	0.05	0.11
180	16241-23930	METAL CRANKSHAFT	3			-0.2MM SET	0.1	0.22
180	16241-23940	METAL CRANKSHAFT	3			-0.4MM SET	0.05	0.11
190	16292-23490	METAL CRANKSHAFT	1			STD SET	0.07	0.154
190	16241-23860	METAL CRANKSHAFT	1			-0.2MM SET	0.1	0.22
190	16292-23860	METAL CRANKSHAFT	1		↔		0.05	0.11
190	16241-23870	METAL CRANKSHAFT	1			-0.4MM SET	0.068	0.1496
190	16292-23870	METAL CRANKSHAFT	1		↔		0.05	0.11
200	15521-23530	METAL SIDE	2			STD	0.01	0.022
200	15521-23950	METAL SIDE	2			+0.2MM	0.01	0.022
200	15521-23960	METAL SIDE	2			+0.4MM	0.01	0.022
210	19202-23540	METAL SIDE	2			STD	0.01	0.022
210	19202-23970	METAL SIDE	2			+0.2MM	0.01	0.022
210	19202-23980	METAL SIDE	2			+0.4MM	0.01	0.022

MAIN BEARING CASE



16254-006-13

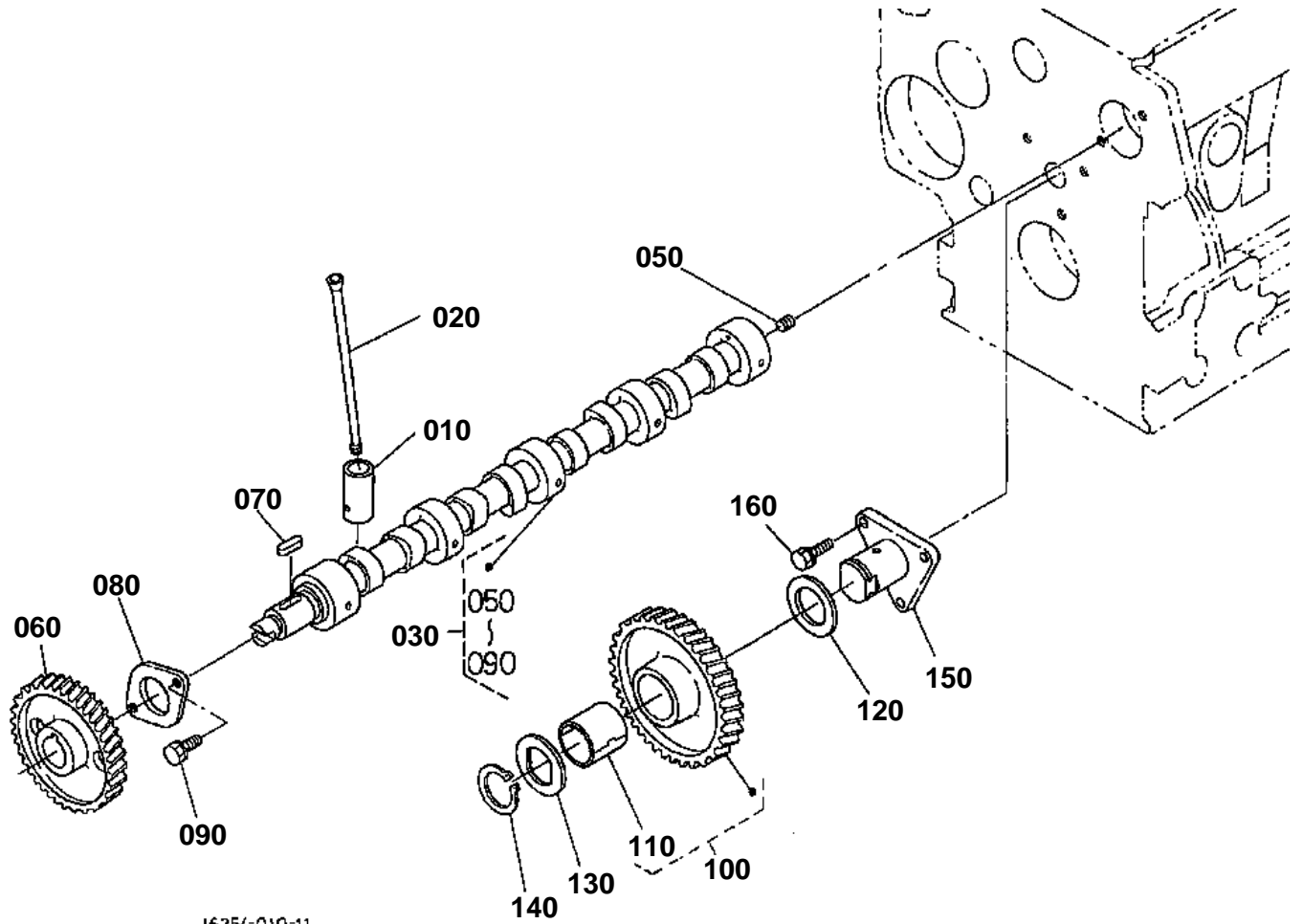


# MAIN BEARING CASE

↔ Interchangeable; ≠ not interchangeable; ← new for old; → old for new

REF.No	Part No.	Description	Q'ty	S.No.	I/C	REMARKS	Weight (kgf)	Weight (lb)
010	16241-04092	ASSY CASE MAIN BRG.	1				1.13	2.486
020	16241-04540	BOLT BEARING CASE	2				0.02	0.044
030	16264-04360	GASKET BRG.CASE	1				0.002	0.0044
040	16241-04813	COVER BEARING CASE	1				0.22	0.484
050	16241-04460	SEAL OIL	1				0.02	0.044
060	16264-04820	GASKET	1				0.008	0.0176
070	01023-50625	BOLT	8				0.007	0.0154
080	01023-50620	BOLT	9				0.006	0.0132
090	16261-04040	ASSY CASE MAIN BRG.	1				0.9	1.98
100	16241-04540	BOLT BEARING CASE	2				0.02	0.044
110	16241-04560	BOLT BEARING CASE	3				0.03	0.066
120	16261-04050	ASSY CASE MAIN BRG.	1				1.11	2.442
130	16241-04540	BOLT BEARING CASE	2				0.02	0.044
140	16282-04060	ASSY CASE MAIN BRG.	1				1	2.2
150	16241-04540	BOLT BEARING CASE	2				0.02	0.044

CAMSHAFT



16254-010-11



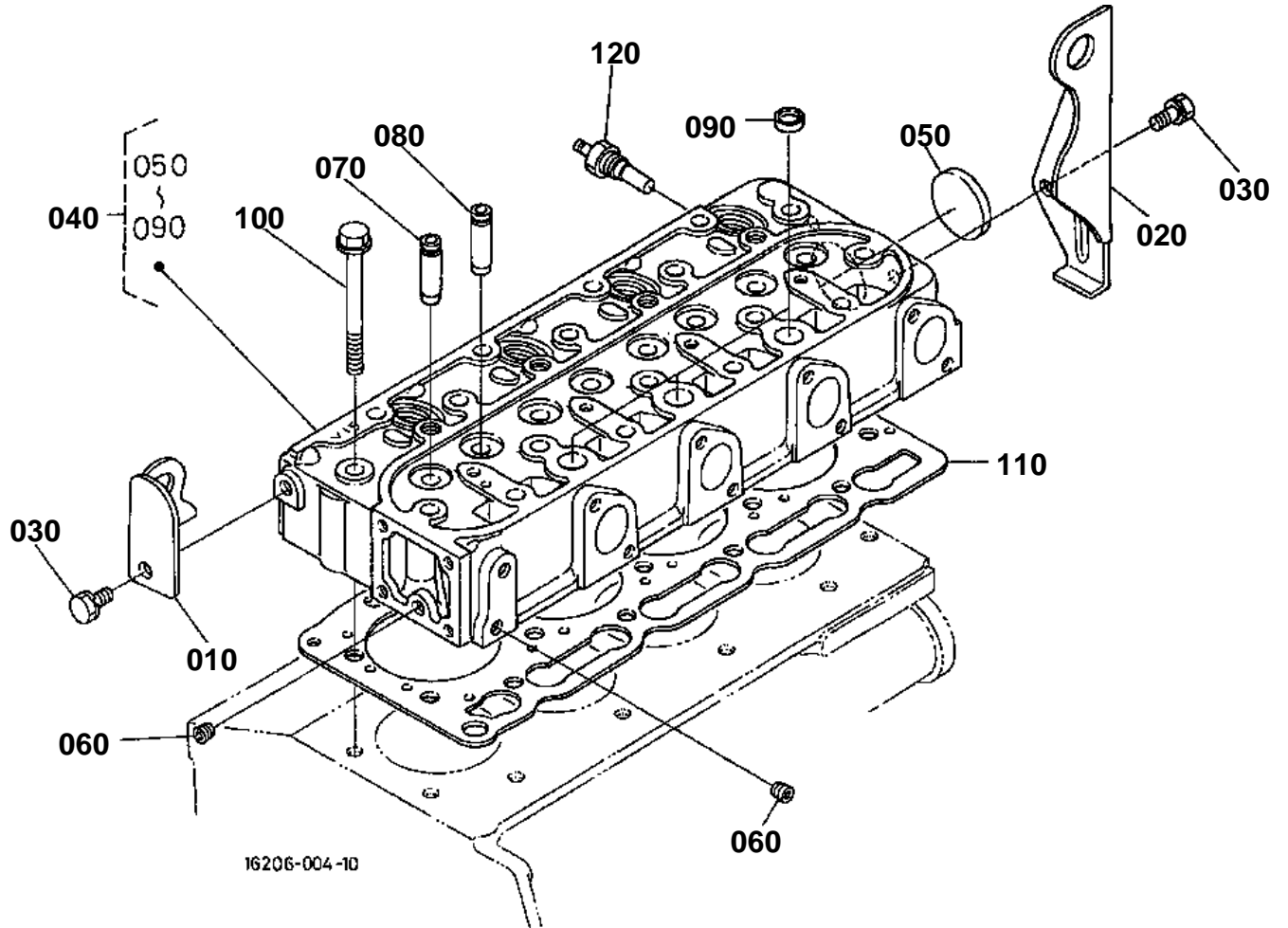


## CAMSHAFT

↔ Interchangeable; ≠ not interchangeable; ← new for old; → old for new

REF.No	Part No.	Description	Q'ty	S.No.	I/C	REMARKS	Weight (kgf)	Weight (lb)
010	16261-15550	TAPPET	8				0.035	0.077
020	16241-15110	PUSH ROD	8				0.03	0.066
030	16271-16010	ASSY CAMSHAFT	1				1.8	3.96
040	99999-99999	BLANK	0				0	0
050	15521-93610	SCREW SET	1				0.002	0.0044
060	16241-16510	GEAR CAM	1				0.45	0.99
070	05712-00518	KEY FEATHER	1				0.003	0.0066
080	16241-16270	STOPPER CAMSHAFT	1				0.04	0.088
090	01023-50614	BOLT	2				0.005	0.011
100	16271-24010	COMP GEAR IDLE	1				0.6	1.32
110	16271-24980	BUSH IDLE GEAR	1				0.02	0.044
120	16241-24360	COLLAR IDLE GEAR	1				0.01	0.022
130	16241-24370	COLLAR IDLE GEAR	1				0.012	0.0264
140	16241-24320	CIR CLIP IDLE GEAR	1				0.003	0.0066
150	16241-24250	SHAFT IDLE GEAR	1				0.255	0.561
160	01023-50616	BOLT	3				0.005	0.011

CYLINDER HEAD





## CYLINDER HEAD

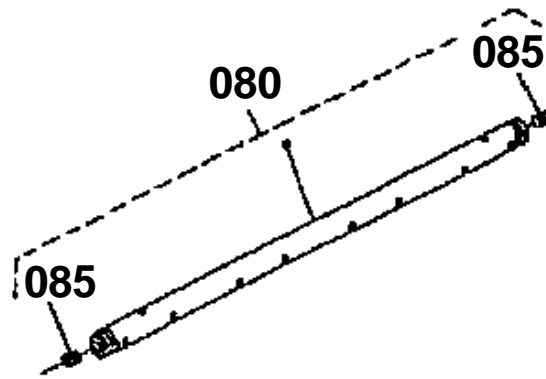
↔ Interchangeable; ≠ not interchangeable; ← new for old; → old for new

REF.No	Part No.	Description	Q'ty	S.No.	I/C	REMARKS	Weight (kgf)	Weight (lb)
010	16241-01750	HOOK ENGINE	1				0.08	0.176
020	16241-01770	HOOK ENGINE	1				0.175	0.385
030	01123-60814	BOLT	2				0.01	0.022
040	16062-03040	COMP.CYLINDER HEAD	1	<=116859			12.5	27.5
040	16062-03042	COMP.CYLINDER HEAD	1	>=116860	≠		11.5	25.3
050	15321-96260	CAP SEALING	1				0.014	0.0308
060	15261-96010	PLUG	2				0.002	0.0044
070	16241-13540	GUIDE INLET VALVE	4				0.02	0.044
080	16241-13560	GUIDE EXHAUST VALVE	4				0.01	0.022
090	15261-03370	CAP SEALING	3				0.005	0.011
100	16241-03450	BOLT CYLINDER HEAD	18				0.07	0.154
110	16282-03310	GASKET CYLINDER HEAD	1	<=116859			0.085	0.187
110	16292-03310	GASKET CYLINDER HEAD	1	>=116860	≠		0.09	0.198
120	31351-32830	SENSOR THERMO	1				0.02	0.044



080 16241-1405-0

085 03410-50606



100 16241-1444-0

110 04612-00120



16195-801-10

**VALVE AND ROCKER ARM**

↔ Interchangeable; ≠ not interchangeable; ← new for old; → old for new

REF.No	Part No.	Description	Q'ty	S.No.	I/C	REMARKS	Weight (kgf)	Weight (lb)
010	16241-13110	VALVE INLET	4				0.05	0.11
020	16241-13120	VALVE EXHAUST	4				0.045	0.099
030	16271-13240	SPRING VALVE	8				0.015	0.033
040	16241-13330	RETAINER VALVE SP.	8				0.015	0.033
050	15261-13360	COLLET VALVE SPRING	8			SET	0.001	0.0022
060	16241-13150	SEAL VALVE STEM	8	<=116859			0.002	0.0044
060	1C010-13150	SEAL VALVE STEM	8	>=116860	↔		0.002	0.0044
070	16241-13280	CAP VALVE	8				0.005	0.011
080	16241-14050	ASSY SHAFT R-ARM	1	<=WD2848			0.235	0.517
080	16241-14264	SHAFT ROCKER ARM	1	>=WE0001	≠		0.22	0.484
085	03410-50606	SCREW SET	2	<=WD2848			0.001	0.0022
090	16241-14430	WASHER R-ARM.SHAFT	2				0.002	0.0044
100	16241-14440	WASHER R-ARM.SHAFT	2	<=WD2848			0.002	0.0044
100	15841-94022	WASHER PLAIN	2	>=WE0001	≠		0.005	0.011
110	04612-00120	CIR CLIP EXTERNAL	2	<=WD2848			0.001	0.0022
110	01023-50610	BOLT	2	>=WE0001	≠		0.005	0.011
120	16241-14350	BRACKET ROCKER ARM	4				0.04	0.088
130	15261-14420	SCREW SET.ROCKER ARM	1	<=WD2848			0.002	0.0044
130	05411-00428	PIN SPRING	1	>=WE0001	≠		0.002	0.0044
140	16241-14310	SPRING ROCKER ARM	3				0.004	0.0088
150	16241-14030	ASSY ROCKER ARM	8	<=89029			0.06	0.132
150	16241-14032	ASSY ROCKER ARM	8	>=89030	≠		0.052	0.1144
160	16241-14230	SCREW ADJUSTING	8				0.008	0.0176
170	16241-14240	NUT	8				0.004	0.0088
180	16241-14410	STUD	4				0.022	0.0484
190	15261-92010	NUT	4				0.005	0.011
200	15261-94010	WASHER PLAIN	4				0.002	0.0044





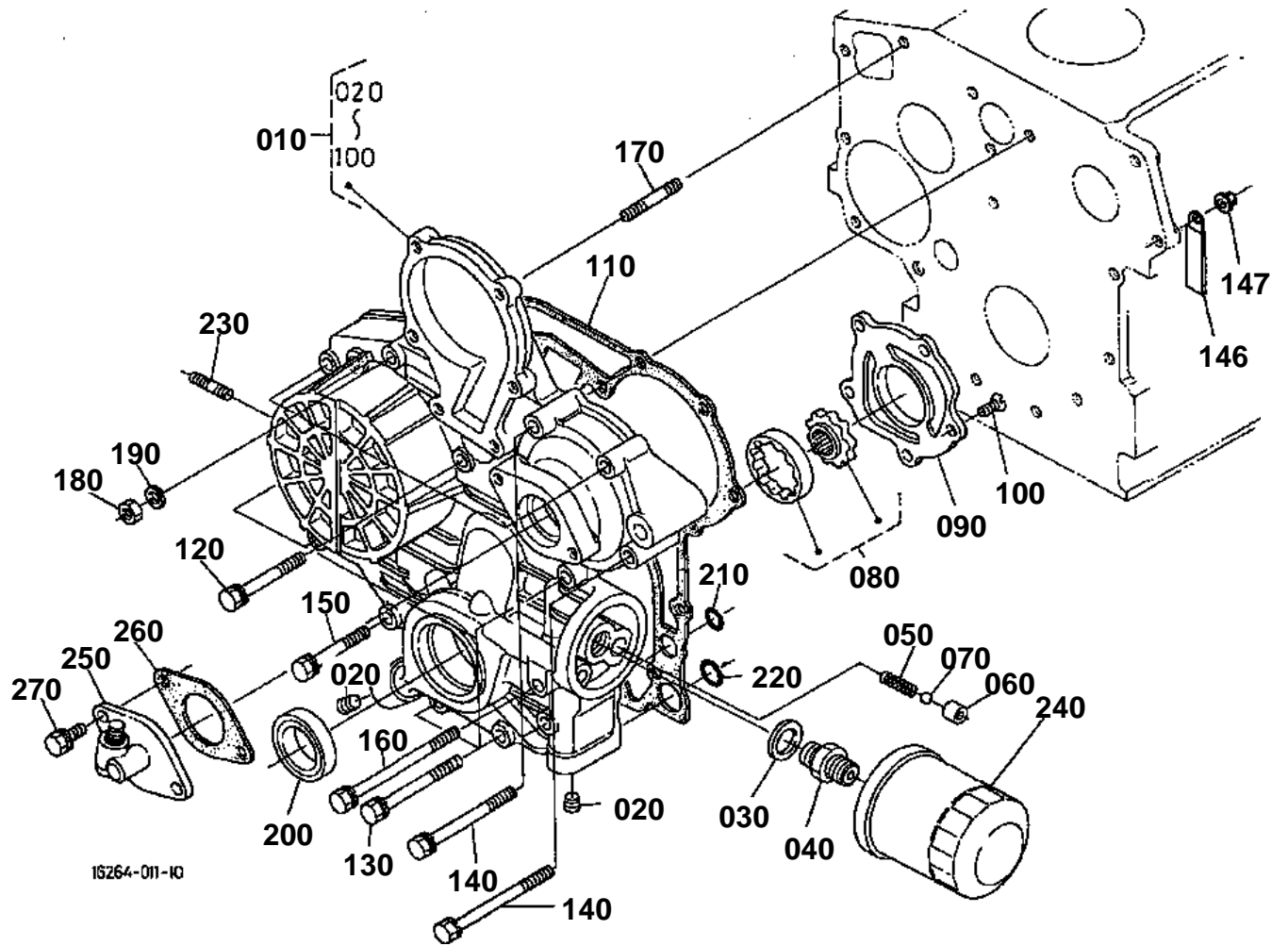
## CYLINDER HEAD COVER

↔ Interchangeable; ≠ not interchangeable; ← new for old; → old for new

REF.No	Part No.	Description	Q'ty	S.No.	I/C	REMARKS	Weight (kgf)	Weight (lb)
010	16241-14500	ASSY COVER CYL.HEAD	1				1.02	2.244
020	16241-14520	GASKET HEAD COVER	1				0.012	0.0264
030	16241-05550	JOINT BREATHER PIPE	1				0.02	0.044
040	16241-05140	PLATE B/THER ELEMENT	1				0.005	0.011
050	16241-05150	PLATE B/THER ELEMENT	1				0.01	0.022
060	16241-05670	ELEMENT BREATHER	1				0.01	0.022
070	16241-05370	OIL SHIELD BREATHER	1				0.01	0.022
080	03024-50510	SCREW WITH WASHER	2				0.002	0.0044
090	15952-92330	NUT	4				0.01	0.022
100	15951-96660	GASKET	4				0.001	0.0022
110	15852-33140	PLUG OIL FILLER	1				0.038	0.0836
120	04814-50300	O RING	1				0.001	0.0022
130	16264-05510	TUBE BREATHER	1				0.068	0.1496



GEAR CASE





**GEAR CASE**

↔ Interchangeable; ≠ not interchangeable; ← new for old; → old for new

REF.No	Part No.	Description	Q'ty	S.No.	I/C	REMARKS	Weight (kgf)	Weight (lb)
010	16271-04020	COMP.CASE GEAR	1				2.5	5.5
020	16241-96020	PLUG	2				0.015	0.033
030	04011-50180	WASHER PLAIN	1				0.012	0.0264
040	15241-32290	JOINT PIPE	1				0.053	0.1166
050	16241-36950	SPRING	1				0.015	0.033
060	16241-36930	SEAT VALVE	1				0.012	0.0264
070	07715-00201	BALL	1				0.008	0.0176
080	16241-35070	ASSY ROTOR OIL PUMP	1				0.27	0.594
090	16241-35130	COVER OIL PUMP	1				0.066	0.1452
100	16241-93120	SCREW CSK-HD	5				0.005	0.011
110	16264-04130	GASKET GEAR CASE	1				0.01	0.022
120	01023-50645	BOLT	3				0.01	0.022
130	01023-60650	BOLT	5				0.015	0.033
140	01023-50655	BOLT	3				0.012	0.0264
146	15272-67580	CLAMP CORD	1				0.021	0.0462
147	02751-50060	NUT FLANGE	1				0.005	0.011
150	15841-91040	BOLT	1				0.01	0.022
160	16241-91040	BOLT	1				0.015	0.033
170	01513-50645	BOLT STUD	1	<=WH4447			0.011	0.0242
170	16245-91530	STUD	1	>=WJ0001	↔		0.01	0.022
180	02056-50060	NUT	1				0.002	0.0044
190	04512-60060	WASHER SPRING	1				0.001	0.0022
200	16259-04210	SEAL OIL	1				0.015	0.033
210	04814-06100	O RING	2				0.003	0.0066
220	04814-00150	O RING	2				0.001	0.0022
230	01513-50616	BOLT STUD	2	<=WH4447			0.004	0.0088
230	16245-91540	STUD	2	>=WJ0001	↔		0.005	0.011
240	16271-32092	ASSY CARTRIDGE OIL	1				0.4	0.88
250	58417-25950	ASSY GEAR CASE H/M	1				0.29	0.638
260	16264-88130	GASKET H/METER UNIT	1				0.002	0.0044
270	01023-50618	BOLT	2				0.006	0.0132

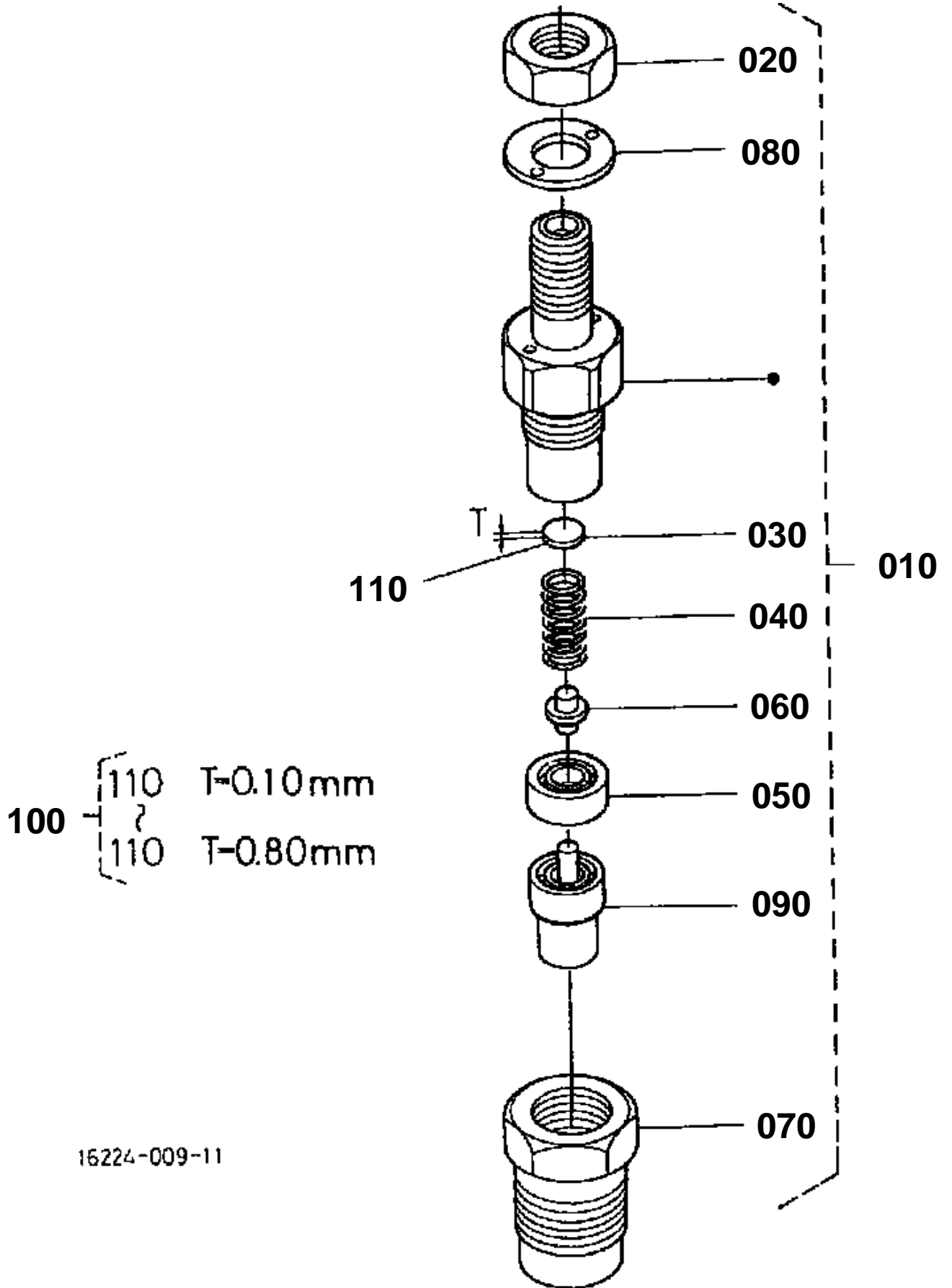


**NOZZLE HOLDER,GLOW PLUG**

↔ Interchangeable; ≠ not interchangeable; ← new for old; → old for new

REF.No	Part No.	Description	Q'ty	S.No.	I/C	REMARKS	Weight (kgf)	Weight (lb)
010	16271-42502	ASSY PIPE OVER FLOW	1				0.06	0.132
020	15841-51360	SCREW AIR BREEDER	1				0.008	0.0176
030	15601-96650	GASKET	1				0.001	0.0022
040	15841-42500	ASSY PIPE OVER FLOW	1				0.015	0.033
050	14971-42750	CLIP PIPE	2				0.001	0.0022
060	16282-42020	ASSY PIPE OVER FLOW	1		↔		0.01	0.022
070	09661-40040	TUBE FUEL	1				0.005	0.011
080	16241-42320	BAND PIPE	2	<=95969			0.005	0.011
080	14971-42750	CLIP PIPE	2	>=95970	↔		0.001	0.0022
090	99999-99999	BLANK	0				0	0
100	09661-40400	TUBE FUEL	1				0.02	0.044
110	16241-42320	BAND PIPE	2	<=95969			0.005	0.011
110	14971-42750	CLIP PIPE	2	>=95970	↔		0.001	0.0022
120	15101-42570	JOINT PIPE	1		↔		0.006	0.0132
130	16032-53000	ASSY HOLDER NOZZLE	4				0.14	0.308
140	15841-53622	GASKET	4				0.002	0.0044
145	19077-53650	SEAL HEAT	4				0.005	0.011
150	16282-53712	PIPE INJECTION	1				0.117	0.2574
160	16271-53722	PIPE INJECTION	1				0.12	0.264
170	16271-53732	PIPE INJECTION	1				0.118	0.2596
180	16271-53742	PIPE INJECTION	1				0.12	0.264
190	15841-53850	CLAMP PIPE	3				0.01	0.022
200	15841-53860	CLAMP PIPE	3				0.009	0.0198
210	03024-50520	SCREW WITH WASHER	3				0.004	0.0088
220	16851-65510	GLOW PLUG	4				0.02	0.044
230	16271-65560	CORD GLOW PLUG	1				0.1	0.22

NOZZLE HOLDER [COMPONENT PARTS]



16224-009-11

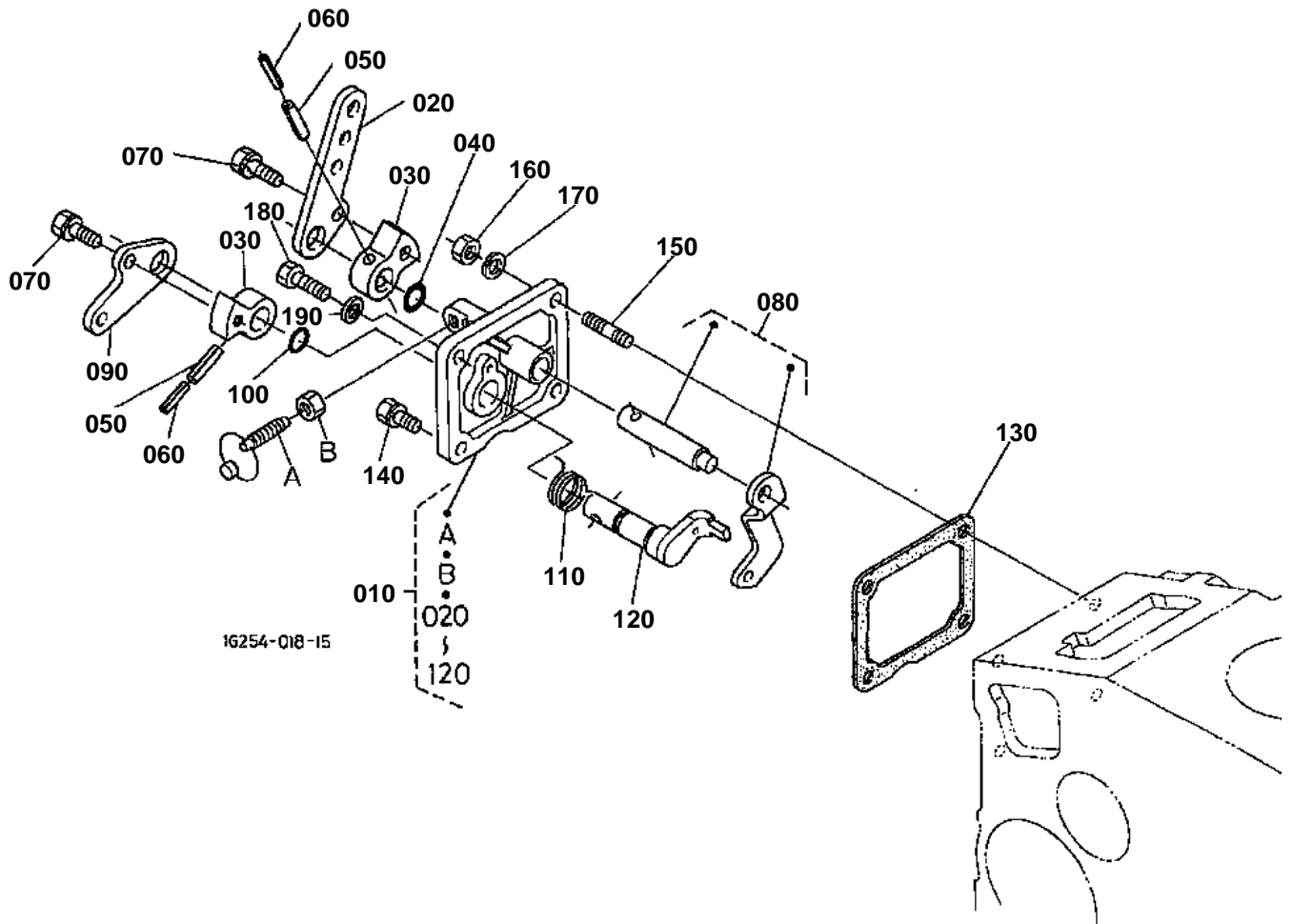


## NOZZLE HOLDER [COMPONENT PARTS]

↔ Interchangeable; ≠ not interchangeable; ← new for old; → old for new

REF.No	Part No.	Description	Q'ty	S.No.	I/C	REMARKS	Weight (kgf)	Weight (lb)
010	16032-53000	ASSY HOLDER NOZZLE	4				0.14	0.308
020	16032-92030	NUT	4				0.007	0.0154
030	16032-53230	WASHER ADJUSTING	4				0.001	0.0022
040	16032-53170	SPRING NOZZLE	4				0.007	0.0154
050	16032-53350	SPACER DISTANCE	4				0.02	0.044
060	16032-53160	PUSH ROD	4				0.001	0.0022
070	16032-53280	NUT NOZZLE	4				0.037	0.0814
080	16032-94040	WASHER PLAIN	4				0.002	0.0044
090	16032-53610	PIECE NOZZLE	4				0.021	0.0462
100	16032-98100	ASSY WASHER ADJUST	4			OPTION	0.016	0.0352
110	16032-98500	WASHER ADJUSTING	4			0.10MM	0.001	0.0022
110	16032-98510	WASHER ADJUSTING	4			0.20MM	0.001	0.0022
110	16032-98520	WASHER ADJUSTING	4			0.30MM	0.001	0.0022
110	16032-98530	WASHER ADJUSTING	4			0.40MM	0.001	0.0022
110	16032-98540	WASHER ADJUSTING	4			0.50MM	0.001	0.0022
110	16032-98550	WASHER ADJUSTING	4			0.52MM	0.001	0.0022
110	16032-98560	WASHER ADJUSTING	4			0.54MM	0.001	0.0022
110	16032-98570	WASHER ADJUSTING	4			0.56MM	0.001	0.0022
110	16032-98580	WASHER ADJUSTING	4			0.58MM	0.001	0.0022
110	16032-98590	WASHER ADJUSTING	4			0.80MM	0.001	0.0022

SPEED CONTROL PLATE





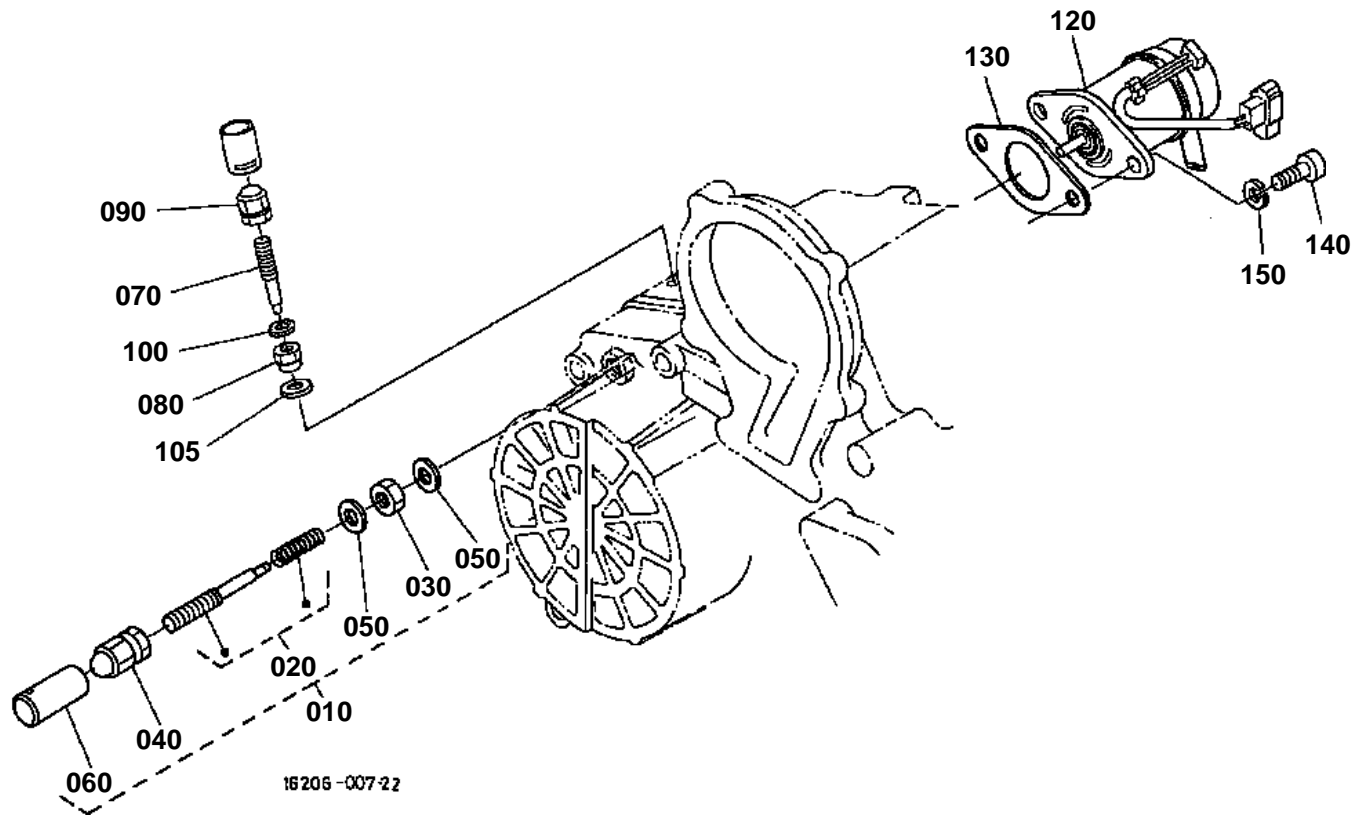
# SPEED CONTROL PLATE

↔ Interchangeable; ≠ not interchangeable; ← new for old; → old for new

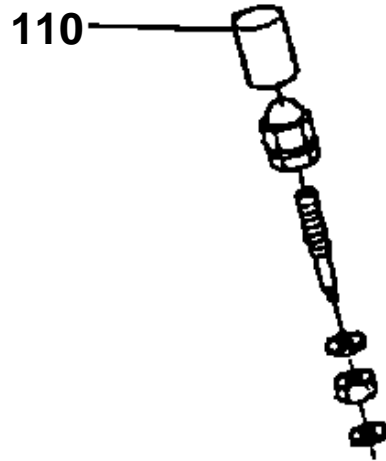
REF.No	Part No.	Description	Q'ty	S.No.	I/C	REMARKS	Weight (kgf)	Weight (lb)
010	16205-57010	ASSY PLATE CONTROL	1				0.34	0.748
020	16205-57150	LEVER SPEED CONTROL	1				0.033	0.0726
030	16205-57160	LEVER SPEED CONTROL	2				0.03	0.066
040	04814-00100	O RING	1				0.001	0.0022
050	05411-00420	PIN SPRING	2				0.001	0.0022
060	05411-02520	PIN SPRING	2				0.001	0.0022
070	01023-50612	BOLT	2				0.005	0.011
080	16205-56020	COMP.LEVER GOVERNOR	1				0.02	0.044
090	16205-57720	LEVER ENGINE STOP	1				0.02	0.044
100	19202-96750	O RING	1	<=WJ9533			0.001	0.0022
100	04814-10070	O RING	1	>=WL0001	≠		0.001	0.0022
110	16205-57510	SPRING RETURN	1				0.002	0.0044
120	16205-57740	COMP.LEVER STOP	1				0.046	0.1012
130	16264-57210	GASKET	1				0.002	0.0044
140	01023-50616	BOLT	2	<=89029			0.005	0.011
140	01023-50616	BOLT	1	>=89030			0.005	0.011
150	01513-50616	BOLT STUD	2	<=WH4447			0.004	0.0088
150	16245-91540	STUD	2	>=WJ0001	↔		0.005	0.011
160	02056-50060	NUT	2				0.002	0.0044
170	04512-60060	WASHER SPRING	2				0.001	0.0022
180	01053-50618	BOLT	1	>=89030			0.006	0.0132
190	15601-96650	GASKET	1	>=89030			0.001	0.0022



STOP SOLENOID



110 16221-5442-0



16195-802-10

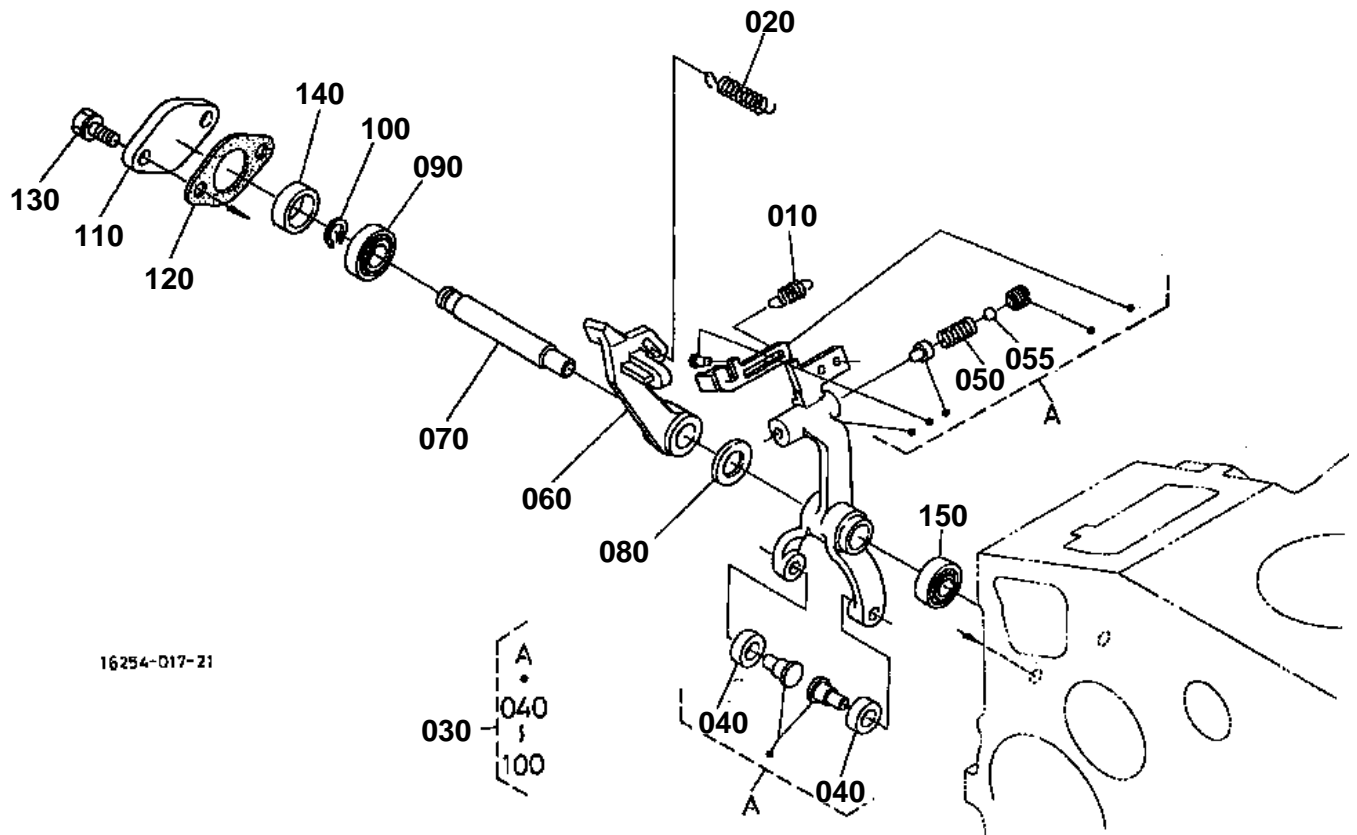


# STOP SOLENOID

↔ Interchangeable; ≠ not interchangeable; ← new for old; → old for new

REF.No	Part No.	Description	Q'ty	S.No.	I/C	REMARKS	Weight (kgf)	Weight (lb)
010	16282-54090	ASSY APPARATUS IDLE	1				0.025	0.055
020	16282-54100	ASSY BOLT ADJUSTING	1				0.01	0.022
030	15841-92020	NUT	1				0.004	0.0088
040	15841-92330	NUT	1				0.006	0.0132
050	15601-96650	GASKET	2				0.001	0.0022
060	16221-54420	CAP	1				0.001	0.0022
070	16241-54120	BOLT ADJUSTING	1				0.005	0.011
080	15841-92020	NUT	1			BH-7 <=DEC.98	0.004	0.0088
080	1G031-54210	NUT LOCK	1			EBH-7 >=JAN.99	0.003	0.0066
090	15841-92330	NUT	1				0.006	0.0132
100	15601-96650	GASKET	2			BH-7 <=DEC.98	0.001	0.0022
100	15601-96650	GASKET	1			EBH-7 >=JAN.99	0.001	0.0022
105	1G031-96650	GASKET	1			EBH-7 >=JAN.99	0.001	0.0022
110	16221-54420	CAP	1			BH-7 <=DEC.98	0.001	0.0022
120	16271-60012	ASSY SOLENOID	1				0.35	0.77
130	16299-60150	GASKET	1				0.003	0.0066
140	01202-50612	BOLT	2	<=95969			0.005	0.011
140	01311-10614	BOLT HEX-SOC-HD	2	>=95970	↔		0.005	0.011
150	04512-60060	WASHER SPRING	2	>=95970			0.001	0.0022

GOVERNOR



16254-017-21

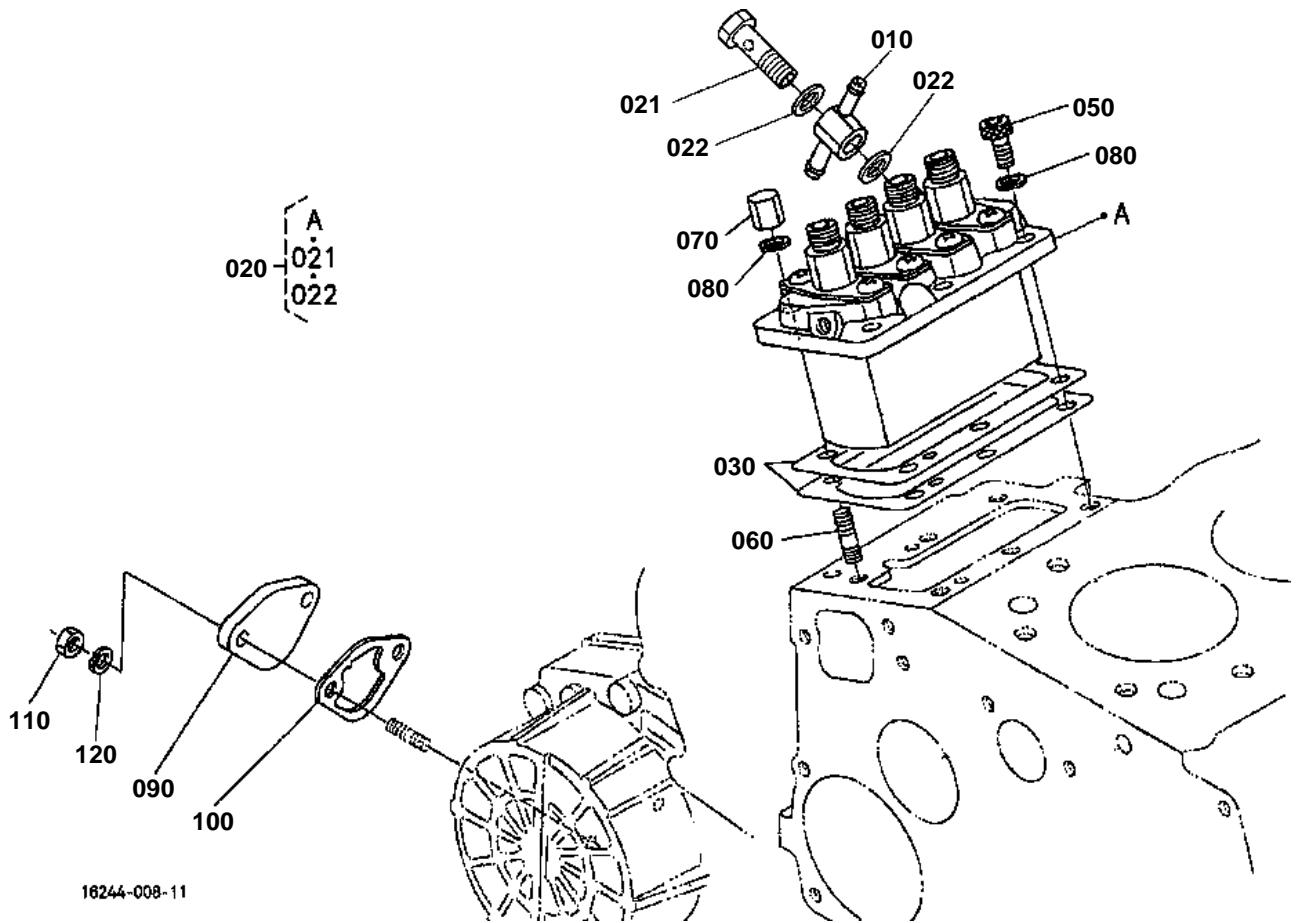


GOVERNOR

↔ Interchangeable; ≠ not interchangeable; ← new for old; → old for new

REF.No	Part No.	Description	Q'ty	S.No.	I/C	REMARKS	Weight (kgf)	Weight (lb)
010	16271-56480	SPRING START	1				0.001	0.0022
020	16271-56413	SPRING GOVERNOR	1	<=WJ9533			0.02	0.044
020	16271-56413	SPRING GOVERNOR	1	>=WL0001	←		0.02	0.044
020	16271-56414	SPRING GOVERNOR	1		→		0.022	0.0484
030	16206-56057	ASSY LEVER FORK	1	<=WX2480		BH-7	0.25	0.55
030	16206-56057	ASSY LEVER FORK	1	>=WY0001	←	BH-7 <=DEC.98	0.25	0.55
030	1G092-56050	ASSY LEVER FORK	1			EBH-7 >=JAN.98	0.25	0.55
040	19484-55440	ROLLER	2				0.005	0.011
050	16206-54230	SPRING	1			BH-7 <=DEC.98	0.001	0.0022
050	16222-54232	SPRING	1			EBH-7 >=JAN.98	0.001	0.0022
055	07715-03205	BALL	1				0.001	0.0022
060	16222-56130	LEVER FORK	1				0	0
070	16241-56153	SHAFT FORK LEVER	1				0.04	0.088
080	16241-94010	WASHER PLAIN	1				0.002	0.0044
090	16241-56330	BEARING MINIATURIZE	1				0.007	0.0154
100	04612-00090	CIR CLIP EXTERNAL	1				0.001	0.0022
110	16241-56250	COVER FORK LEV.SHAFT	1				0.013	0.0286
120	16299-56260	GASKET	1				0.002	0.0044
130	01023-50614	BOLT	2				0.005	0.011
140	16241-56210	COLLAR	1				0.008	0.0176
150	16241-56340	BEARING MINIATURIZE	1				0.007	0.0154

# INJECTION PUMP



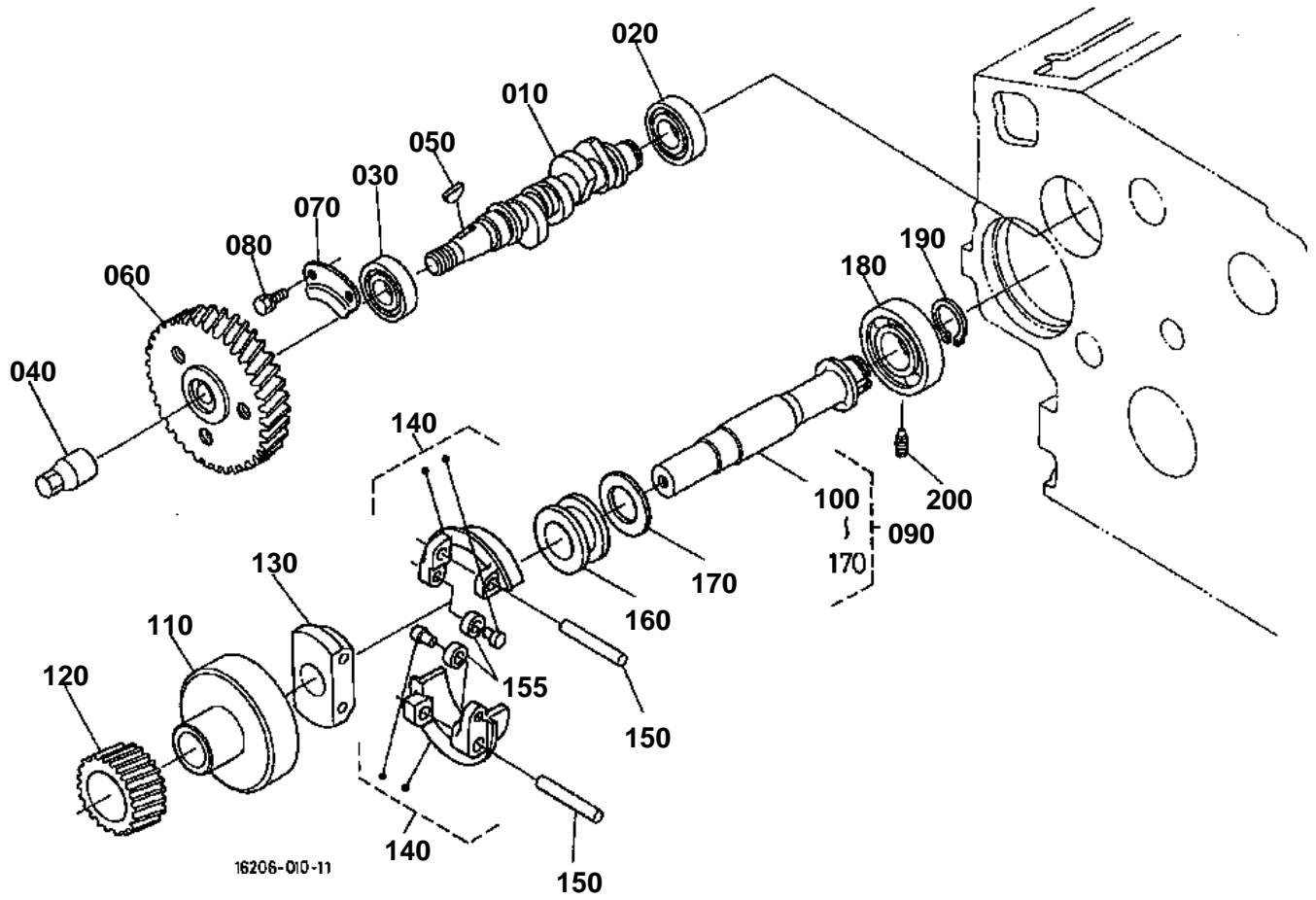


# INJECTION PUMP

↔ Interchangeable; ≠ not interchangeable; ← new for old; → old for new

REF.No	Part No.	Description	Q'ty	S.No.	I/C	REMARKS	Weight (kgf)	Weight (lb)
010	16271-95690	JOINT EYE	1				0.046	0.1012
020	16062-51010	ASSY PUMP INJECTION	1				1.38	3.036
021	16271-51320	SCREW FOLLOW	1				0.031	0.0682
022	15841-96650	GASKET	2				0.001	0.0022
030	16040-52092	SHIM INJECTION PUMP	1			0.20MM	0.004	0.0088
030	16040-52112	SHIM INJECTION PUMP	1			0.25MM	0.005	0.011
030	16040-52122	SHIM INJECTION PUMP	1			0.30MM	0.006	0.0132
040	99999-99999	BLANK	0				0	0
050	01311-10620	BOLT HEX-SOC-HD	3				0.012	0.0264
060	15841-91500	STUD	3				0.02	0.044
070	15841-92320	NUT	3				0.01	0.022
080	04512-60060	WASHER SPRING	6				0.001	0.0022
090	15852-52850	COVER	1				0.058	0.1276
100	16264-52140	GASKET FUEL PUMP	1				0.001	0.0022
110	02056-50060	NUT	2				0.002	0.0044
120	04512-60060	WASHER SPRING	2				0.001	0.0022

FUEL CAMSHAFT





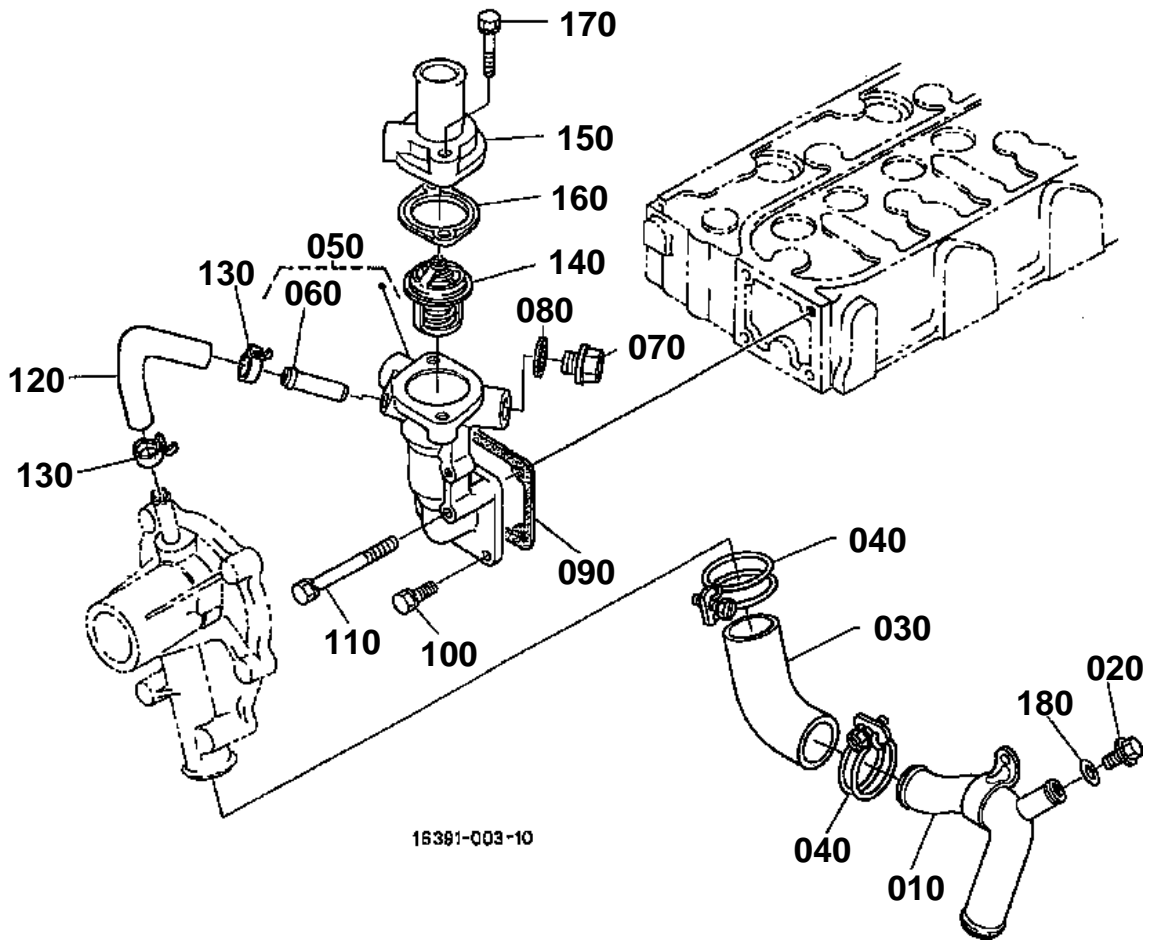


# FUEL CAMSHAFT

↔ Interchangeable; ≠ not interchangeable; ← new for old; → old for new

REF.No	Part No.	Description	Q'ty	S.No.	I/C	REMARKS	Weight (kgf)	Weight (lb)
010	16040-16170	CAMSHAFT FUEL	1				0.32	0.704
020	08103-06202	BEARING BALL	1				0.05	0.11
030	08103-06204	BEARING BALL	1				0.105	0.231
040	16241-92330	NUT	1				0.035	0.077
050	16241-95230	KEY WOODRUFF	1				0.001	0.0022
060	16272-51150	GEAR INJECTION PUMP	1				0.49	1.078
070	16241-16320	STOPPER FUEL.C/SHAFT	1				0.04	0.088
080	01023-50612	BOLT	2				0.005	0.011
090	16282-55013	ASSY SHAFT GOVERNOR	1				1.26	2.772
100	16271-55313	SHAFT GOVERNOR	1				0.343	0.7546
110	16241-55392	HOLDER GOVERNOR GEAR	1				0.34	0.748
120	16282-55320	GEAR GOVERNOR	1				0.24	0.528
130	16241-55270	HOLDER GOV.WEIGHT	1				0.085	0.187
140	16241-55062	COMP.WEIGHT GOVERNOR	2				0.085	0.187
150	16241-55260	SHAFT GOV. WEIGHT	2				0.013	0.0286
155	19484-55440	ROLLER	2				0.005	0.011
160	16241-55450	SLEEVE GOVERNOR	1				0.04	0.088
170	16241-55463	WASHER THRUST	1				0.005	0.011
180	08101-06304	BEARING BALL	1				0.146	0.3212
190	16271-55410	CIR CLIP GOV.SHAFT	1				0.005	0.011
200	16241-55554	SCREW SET	1				0.007	0.0154
200	16241-55554	SCREW SET	1			↔	0.007	0.0154

WATER FLANGE



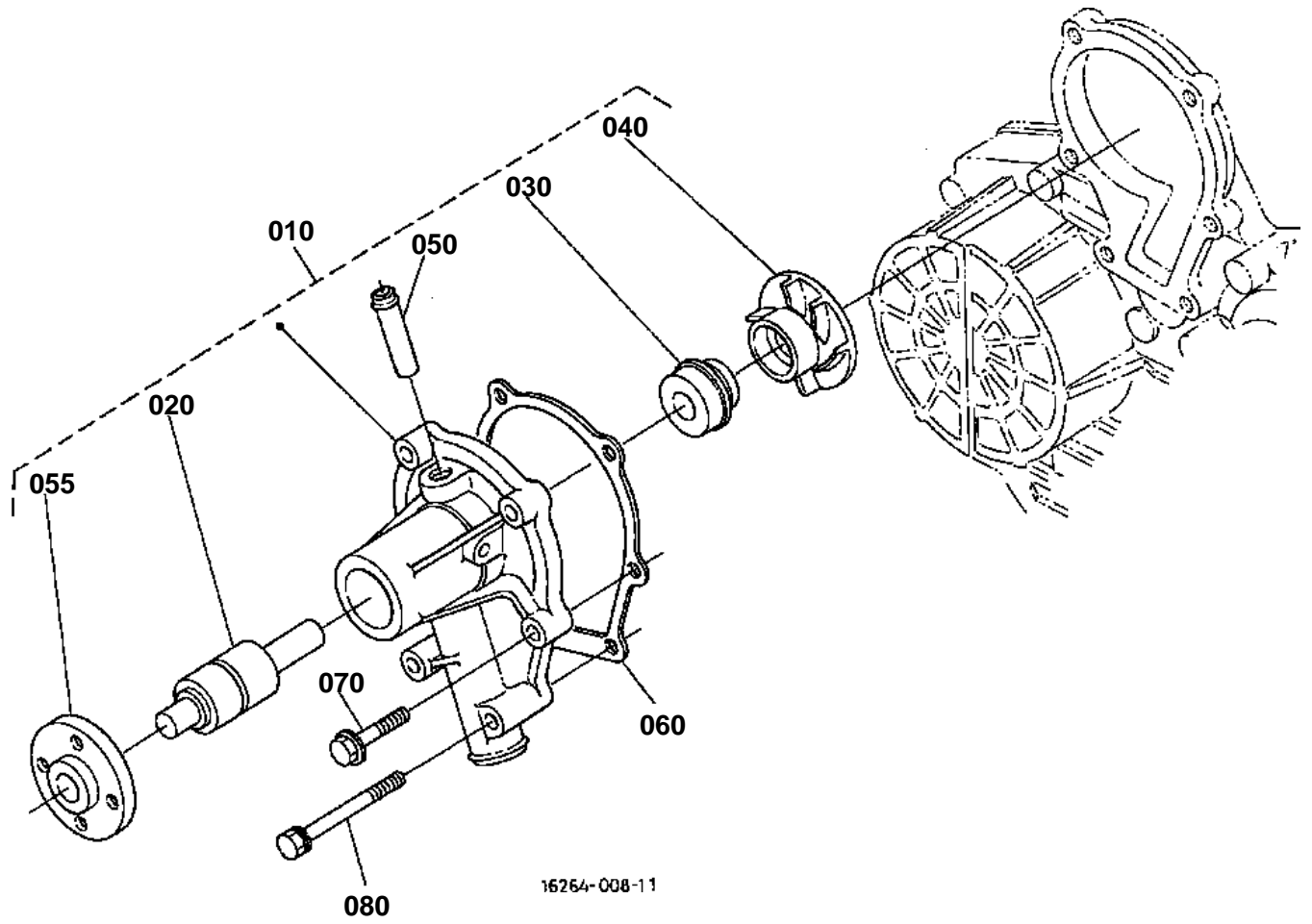


# WATER FLANGE

↔ Interchangeable; ≠ not interchangeable; ← new for old; → old for new

REF.No	Part No.	Description	Q'ty	S.No.	I/C	REMARKS	Weight (kgf)	Weight (lb)
010	16282-72863	PIPE WATER	1				0.24	0.528
020	06311-55010	PLUG	1			CANOPY	0.015	0.033
030	16241-72870	PIPE WATER	1				0.06	0.132
040	36200-82720	CLAMP	2				0.025	0.055
050	16261-72705	COMP FLANGE WATER	1	<=110326			0.26	0.572
050	16180-72700	COMP FLANGE WATER	1	>=110327	≠		0.265	0.583
060	16241-73370	PIPE WATER RETURN	1				0.007	0.0154
070	06311-55030	PLUG	1			CANOPY	0.05	0.11
080	16261-96710	GASKET	1			CANOPY	0.002	0.0044
090	16264-72920	GASKET WATER FLANGE	1				0.001	0.0022
100	01023-50616	BOLT	3				0.005	0.011
110	01023-50655	BOLT	1				0.012	0.0264
120	16241-73350	PIPE WATER RETURN	1				0.015	0.033
130	16241-73360	BAND PIPE	2				0.003	0.0066
140	15531-73010	ASSY THERMOSTAT	1	<=110326			0.063	0.1386
140	15321-73014	ASSY THERMOSTAT	1	>=110327	≠		0.07	0.154
150	16271-73260	COVER THERMOSTAT	1	<=110326			0.06	0.132
150	16219-73260	COVER THERMOSTAT	1	>=110327	≠		0.094	0.2068
160	15676-73270	GASKET	1	<=110326			0.005	0.011
160	1A021-73270	GASKET THERMOSTAT	1	>=110327	≠		0	0
160	16221-73270	GASKET THERMOSTAT	1	>=WY0001	↔		0.013	0.0286
170	01023-50632	BOLT	2	<=110326			0.01	0.022
170	01123-50835	BOLT	2	>=110327	≠		0.02	0.044
180	04724-00100	GASKET	1			CANOPY	0.001	0.0022

WATER PUMP



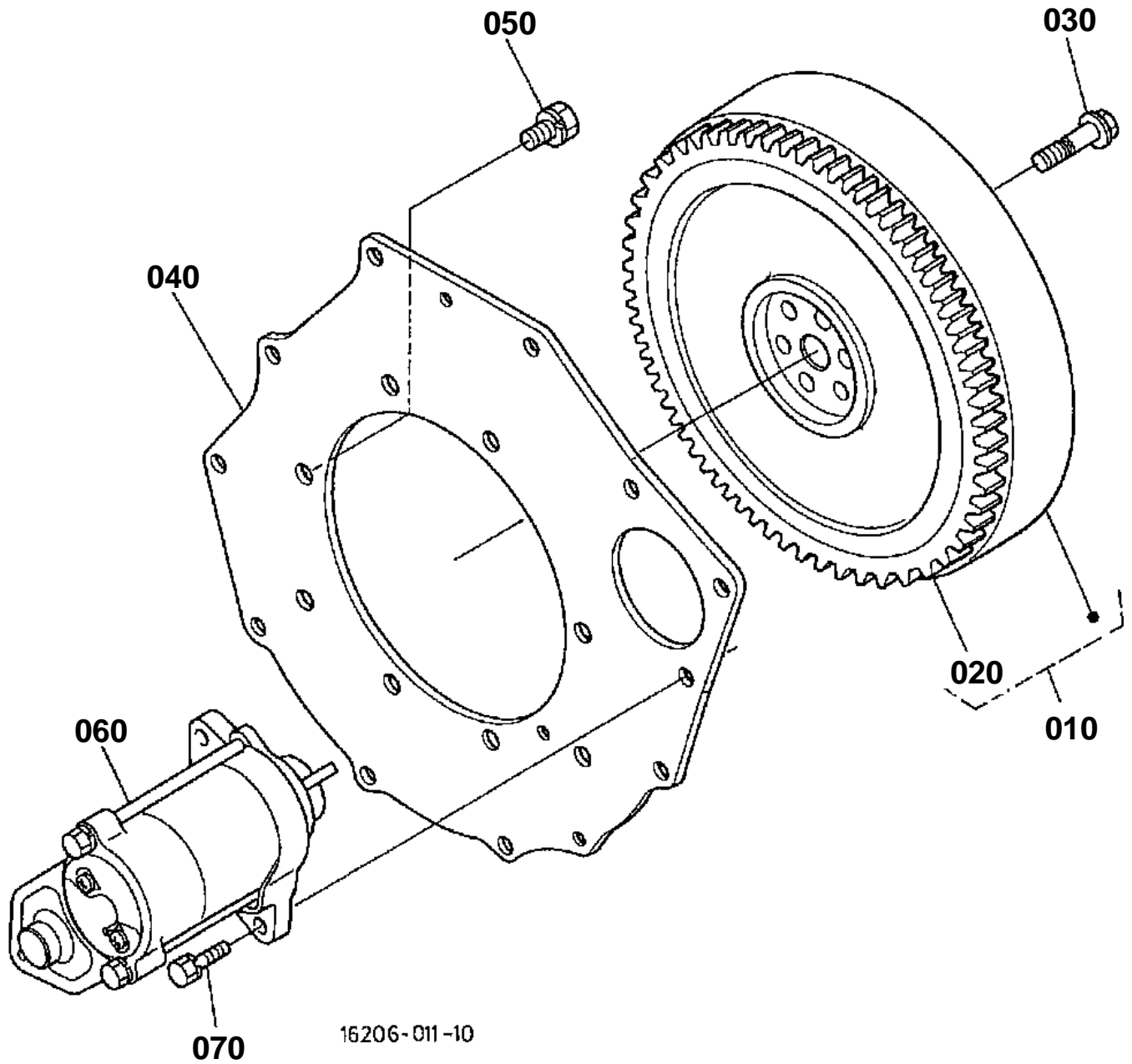


# WATER PUMP

↔ Interchangeable; ≠ not interchangeable; ← new for old; → old for new

REF.No	Part No.	Description	Q'ty	S.No.	I/C	REMARKS	Weight (kgf)	Weight (lb)
010	16241-73033	ASSY PUMP WATER	1				0	0
020	16241-73550	BEARING	1				0.202	0.4444
030	16241-73052	ASSY SEAL MECHANICAL	1				0.016	0.0352
040	16241-73510	IMPELLER WATER PUMP	1				0.097	0.2134
050	16241-73340	PIPE WATER RETURN	1				0.006	0.0132
055	16241-73520	FLANGE WATER PUMP	1				0.135	0.297
060	16261-73430	GASKET WATER PUMP	1				0.001	0.0022
070	01023-50630	BOLT	4	<=WF5452			0.008	0.0176
070	01754-50625	BOLT FLANGE	4	>=WG0001	↔		0.008	0.0176
080	01023-50680	BOLT	2				0.017	0.0374

FLYWHEEL,STARTER



16206-011-10

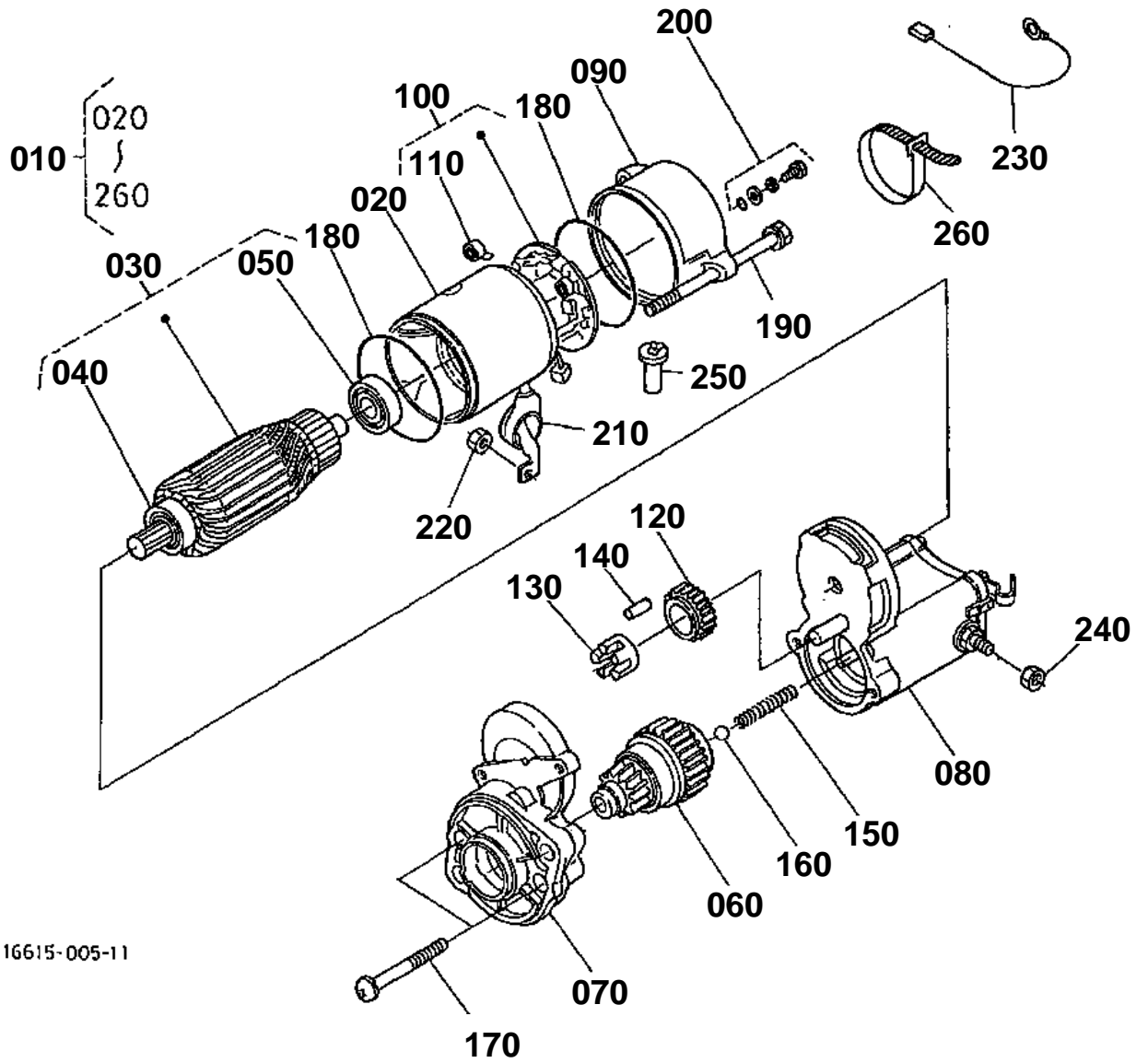


# FLYWHEEL,STARTER

↔ Interchangeable; ≠ not interchangeable; ← new for old; → old for new

REF.No	Part No.	Description	Q'ty	S.No.	I/C	REMARKS	Weight (kgf)	Weight (lb)
010	16283-25014	COMP.FLYWHEEL	1				0	0
020	16261-63822	GEAR RING	1				0.79	1.738
030	16271-25160	BOLT FLYWHEEL	6				0.036	0.0792
040	16283-04620	PLATE REAR END	1				2.07	4.554
050	16271-91190	BOLT	8				0.02	0.044
060	16611-63010	ASSY STARTER	1				3.95	8.69
070	01123-50830	BOLT	2				0.015	0.033

STARTER [COMPONENT PARTS]



16615-005-11

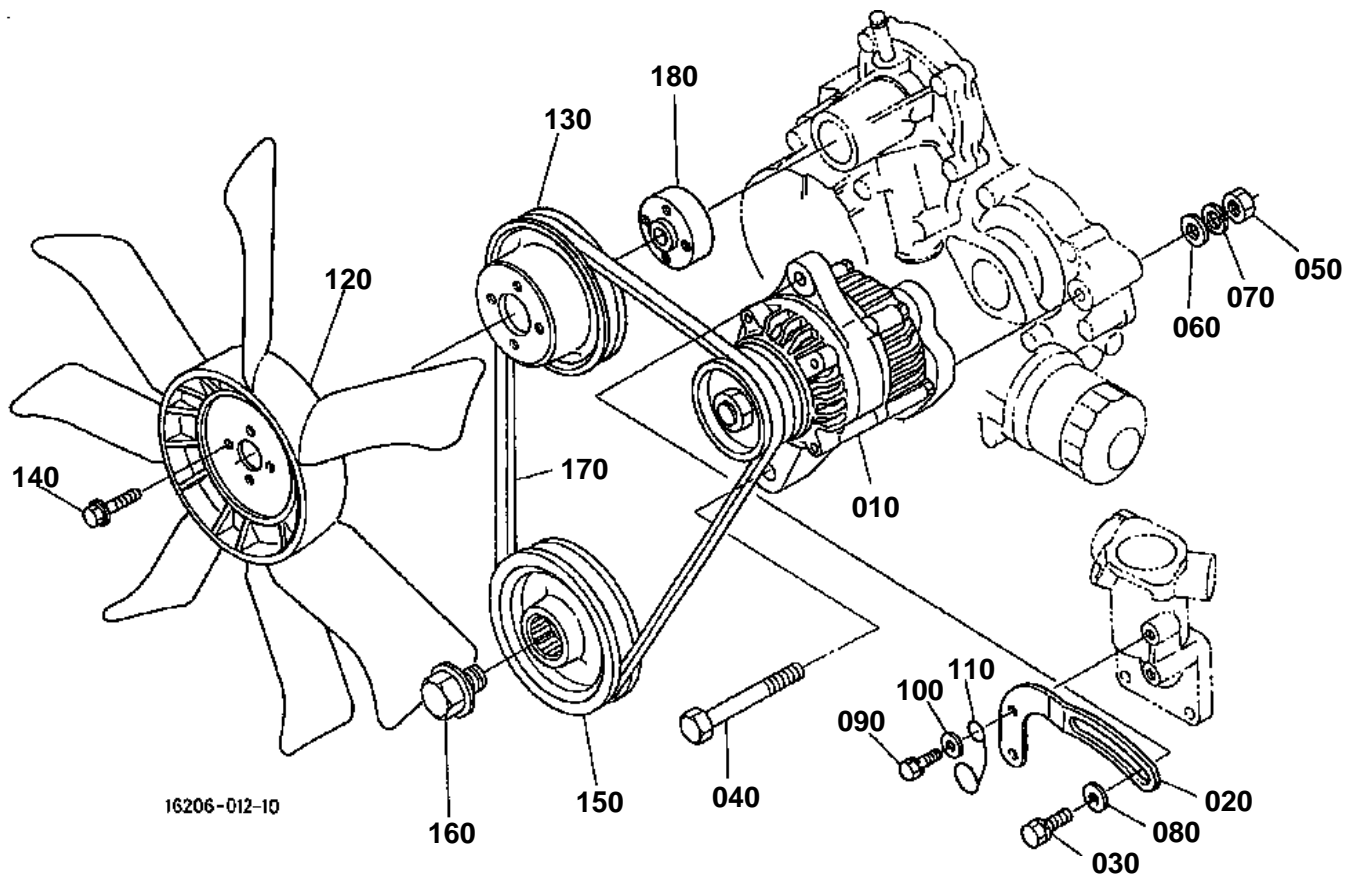


**STARTER [COMPONENT PARTS]**

↔ Interchangeable; ≠ not interchangeable; ← new for old; → old for new

REF.No	Part No.	Description	Q'ty	S.No.	I/C	REMARKS	Weight (kgf)	Weight (lb)
010	16611-63010	ASSY STARTER	1				3.95	8.69
020	11197-63080	ASSY YOKE	1	<=31856			0.92	2.024
020	16661-63080	ASSY YOKE	1	>=31857	≠		0.96	2.112
030	11197-63070	ASSY ARMATURE	1				0.8	1.76
040	11460-63500	BEARING	1				0.03	0.066
050	11460-63530	BEARING	1				0.02	0.044
060	16611-63040	CLUTCH OVER RUNNING	1				0.08	0.176
070	16611-63030	FRAME DRIVE END	1				0.1	0.22
080	16285-63020	ASSY SWITCH MAGNETIC	1				0.95	2.09
090	17341-63200	FRAME END	1				0.13	0.286
100	11197-63380	ASSY HOLDER BRUSH	1				0.05	0.11
110	15401-63390	SPRING BRUSH	4				0.003	0.0066
120	11460-63270	GEAR	1				0.04	0.088
130	11460-63110	RETAINER	1				0.01	0.022
140	19212-63100	ROLLER	5				0.002	0.0044
150	11460-63120	SPRING	1				0.01	0.022
160	19212-97130	BALL	1				0.003	0.0066
170	11460-93310	BOLT	2				0.01	0.022
180	15511-96660	O RING	2				0.005	0.011
190	11197-63320	BOLT	2				0.02	0.044
200	15511-63760	ASSY BOLT	2				0.005	0.011
210	16611-63450	COVER	1				0.03	0.066
220	16611-92020	NUT HEXAGON	1				0.005	0.011
230	16611-63660	CORD STOP SOLENOID	1				0.005	0.011
240	16285-92010	NUT HEXAGON	1				0.005	0.011
250	16285-63570	PIPE DRAIN	1				0.005	0.011
260	16612-63100	BAND COVER	1				0.01	0.022

ALTERNATOR

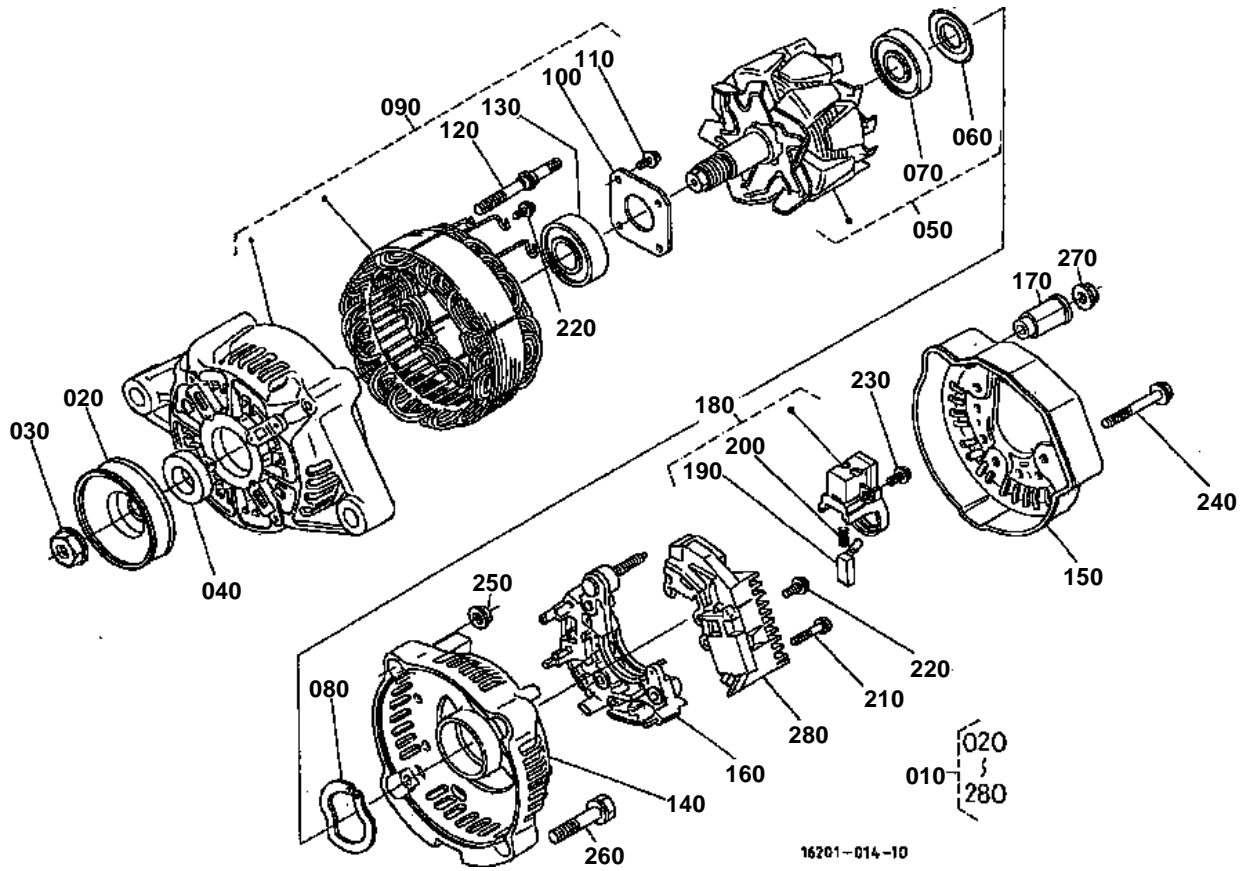


**ALTERNATOR**

↔ Interchangeable; ≠ not interchangeable; ← new for old; → old for new

REF.No	Part No.	Description	Q'ty	S.No.	I/C	REMARKS	Weight (kgf)	Weight (lb)
010	16241-64012	ASSY ALTERNATOR	1				3	6.6
020	16241-64420	STAY DYNAMO	1				0.095	0.209
030	01123-50825	BOLT	1	≤139735			0.013	0.0286
030	01123-50830	BOLT	1	≥139736	↔		0.015	0.033
040	01173-51085	BOLT	1				0.051	0.1122
050	02176-50100	NUT	1				0.005	0.011
060	04011-50100	WASHER PLAIN	1				0.002	0.0044
070	04512-60100	WASHER SPRING	1				0.002	0.0044
080	04015-60080	WASHER PLAIN	1				0.01	0.022
090	01023-50618	BOLT	1				0.006	0.0132
100	04012-50060	WASHER PLAIN	1				0.001	0.0022
110	16271-83370	CLAMP CORD	1				0.005	0.011
120	16206-74112	FAN	1				0.475	1.045
130	16217-74250	PULLEY FAN	1				0.2	0.44
140	01754-50650	BOLT FLANGE	4				0.01	0.022
150	16281-74280	PULLEY FAN DRIVE	1				1.35	2.97
160	16241-91020	BOLT FAN DRIVE	1				0.1	0.22
170	16241-97010	V BELT	1	≤49889			0.08	0.176
170	16206-97010	BELT	1	≥49890	≠		0.07	0.154
180	17036-74152	COLLAR FAN	1				0.215	0.473

ALTERNATOR [COMPONENT PARTS]



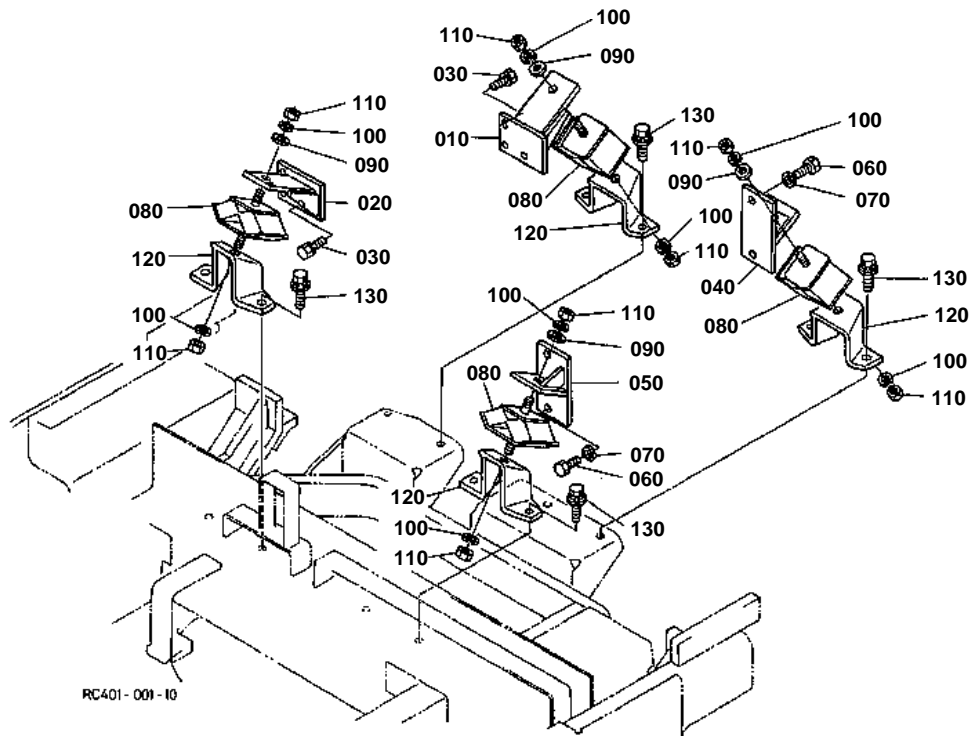


## ALTERNATOR [COMPONENT PARTS]

↔ Interchangeable; ≠ not interchangeable; ← new for old; → old for new

REF.No	Part No.	Description	Q'ty	S.No.	I/C	REMARKS	Weight (kgf)	Weight (lb)
010	16241-64012	ASSY ALTERNATOR	1				3	6.6
020	15881-64110	PULLEY DYNAMO	1				0.16	0.352
030	15881-92010	NUT	1				0.02	0.044
040	15881-64150	COLLAR	1				0.004	0.0088
050	66436-64040	ROTOR	1				1.2	2.64
060	15881-64800	COVER BEARING	1				0.001	0.0022
070	15881-64770	BEARING BALL	1				0.04	0.088
080	15881-64810	WASHER THRUST	1				0.002	0.0044
090	15881-64020	FRAME DRIVE END	1				1.2	2.64
100	15881-64710	PLATE RETAINER	1				0.01	0.022
110	15881-93010	SCREW ROUND HEAD	4				0.003	0.0066
120	15881-64260	BOLT THROUGH	2				0.01	0.022
130	15881-64780	BEARING BALL	1				0.05	0.11
140	16241-64060	FRAME END	1				0.2	0.44
150	16241-64230	COVER END	1				0	0
160	16241-64850	ASSY RECTIFIER	1				0	0
170	16241-64900	BUSH INSULATION	1				0.007	0.0154
180	15881-64310	HOLDER BRUSH	1				0.025	0.055
190	15881-64090	BRUSH	2				0.002	0.0044
200	15881-64330	SPRING BRUSH	2				0.002	0.0044
210	15881-93020	SCREW ROUND HEAD	2				0.005	0.011
220	15881-93030	SCREW ROUND HEAD	6				0.003	0.0066
230	15881-93040	SCREW ROUND HEAD	1				0.003	0.0066
240	15881-91040	BOLT	3				0.005	0.011
250	15881-92020	NUT	2				0.02	0.044
260	15881-91050	BOLT	2				0.01	0.022
270	14182-92030	NUT	1				0.003	0.0066
280	15881-64600	ASSY REGULATOR	1				0	0

# ENGINE BRACKET



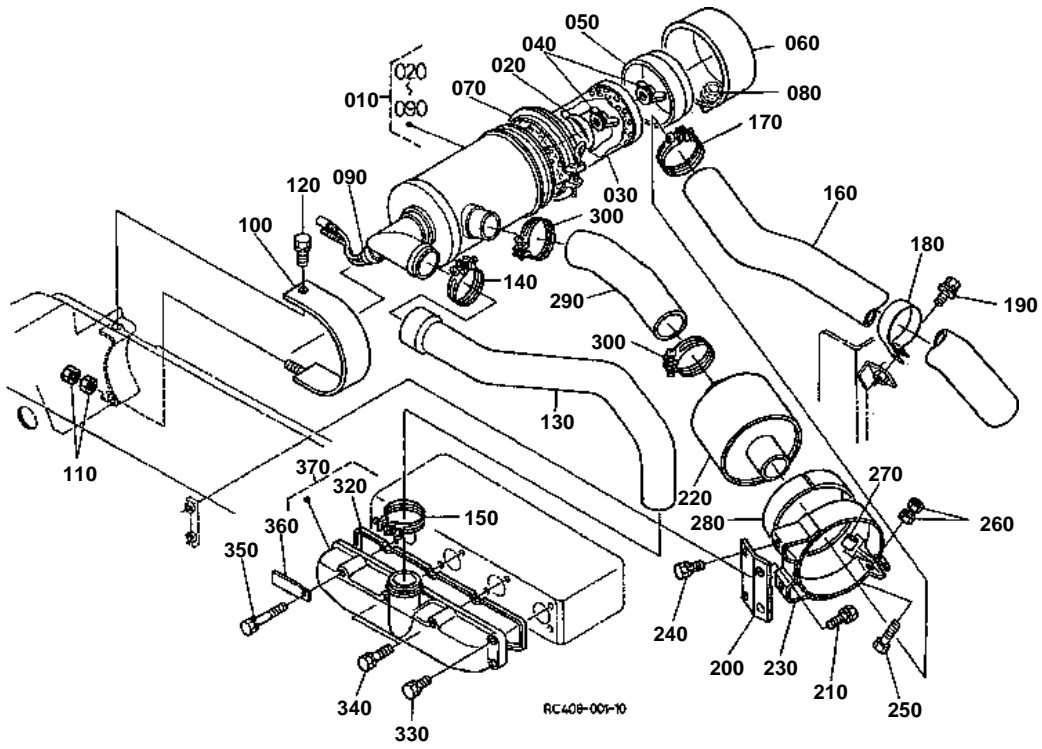


# ENGINE BRACKET

↔ Interchangeable; ≠ not interchangeable; ← new for old; → old for new

REF.No	Part No.	Description	Q'ty	S.No.	I/C	REMARKS	Weight (kgf)	Weight (lb)
010	RC301-42110	BRACKET ENGINE	1				1.3	2.86
020	RC301-42120	BRACKET ENGINE	1				1.3	2.86
030	01133-61025	BOLT	6				0.02	0.044
040	RC301-42130	BRACKET ENGINE	1				1.23	2.706
050	RC301-42140	BRACKET ENGINE	1				1.22	2.684
060	01173-61430	BOLT	4				0.05	0.11
070	04512-60140	WASHER SPRING	4				0.008	0.0176
080	68541-42160	CUSHION RUBBER	4				0.82	1.804
090	04013-60120	WASHER PLAIN	4				0.01	0.022
100	04512-60120	WASHER SPRING	8				0.005	0.011
110	02114-60120	NUT	8				0.011	0.0242
120	RC301-42150	SUPPORT ENGINE	4				1.03	2.266
130	01135-61235	BOLT	8				0.05	0.11

AIR CLEANER,INLET MANIFOLD





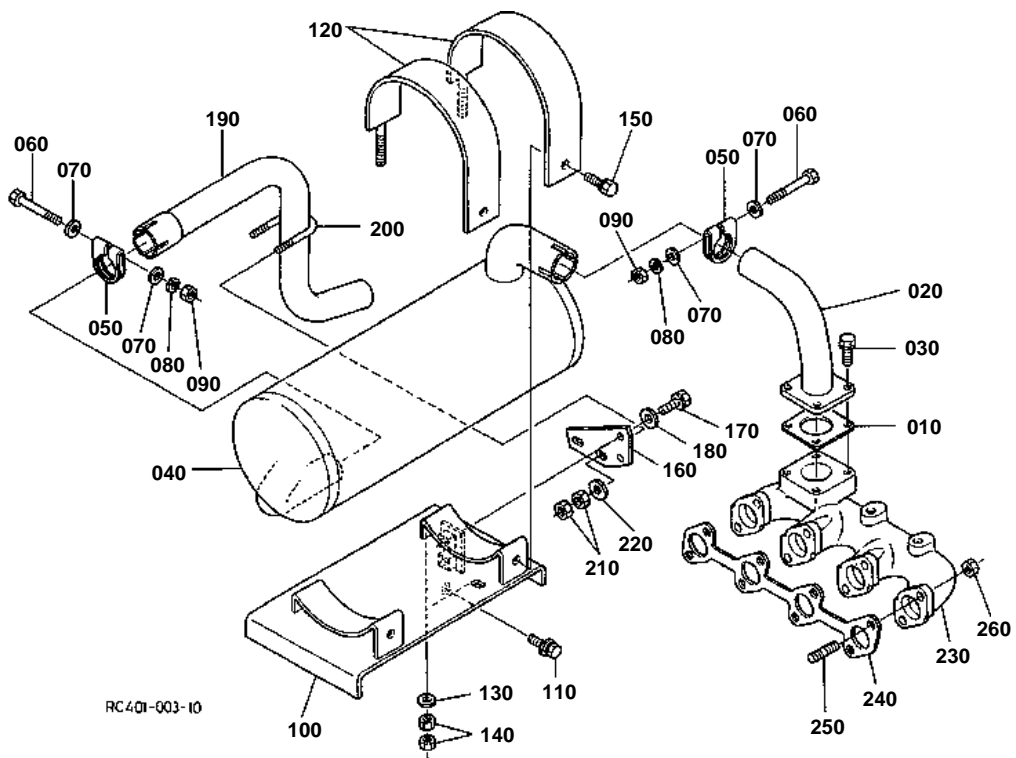


**AIR CLEANER,INLET MANIFOLD**

↔ Interchangeable; ≠ not interchangeable; ← new for old; → old for new

REF.No	Part No.	Description	Q'ty	S.No.	I/C	REMARKS	Weight (kgf)	Weight (lb)
010	RC408-42200	ASSY CLEANER AIR	1				2.3	5.06
020	15287-11490	ASSY ELEMENT INNER	1				0.25	0.55
030	15401-11080	ASSY ELEMENT A/C	1				0.74	1.628
040	15401-92620	ASSY NUT WING	2				0.01	0.022
050	15401-11410	COVER BAFFLE	1				0.05	0.11
060	RC408-42220	ASSY CUP	1				0.31	0.682
070	15401-11070	ASSY BAND AIRCLEANER	1				0.115	0.253
080	68871-42280	VALVE	1				0.001	0.0022
090	15831-11090	ASSY INDICATOR	1				0.03	0.066
100	RC301-42250	BAND AIR CLEANER	1				0.3	0.66
110	02118-60100	NUT	2				0.006	0.0132
120	01133-61020	BOLT	1				0.02	0.044
130	RC301-42220	HOSE INLET	1				0.6	1.32
140	15261-11720	BAND PIPE	1				0.03	0.066
150	15401-11720	BAND PIPE	1				0.03	0.066
160	RC301-42230	HOSE INLET	1				1	2.2
170	15401-11720	BAND PIPE	1				0.03	0.066
180	68741-42270	BAND PIPE	1				0.05	0.11
190	01135-61020	BOLT	1				0.015	0.033
200	RC101-42252	BRACKET	1	<=12550			0.3	0.66
200	RC101-42252	BRACKET	1	>=12551	↔		0.3	0.66
210	01133-61020	BOLT	2				0.02	0.044
220	RC301-42260	SILENCER	1				0.93	2.046
230	RC101-42560	BAND	1				0.47	1.034
240	01123-60816	BOLT	2				0.01	0.022
250	01153-60835	BOLT	1				0.02	0.044
260	02114-60080	NUT	2				0.002	0.0044
270	35999-02550	COLLAR	1				0.01	0.022
280	68311-42570	CUSHION	1				0.03	0.066
290	RC301-42240	HOSE INLET	1				0.26	0.572
300	15221-11720	BAND PIPE	2				0.03	0.066
310	99999-99999	BLANK	0				0	0
320	16241-11820	GASKET IN-MANIFOLD	1				0.01	0.022
330	01023-50618	BOLT	3				0.006	0.0132
340	01023-50630	BOLT	2				0.008	0.0176
350	01023-60650	BOLT WITH WASHER	3				0.015	0.033
360	15272-67590	CLAMP CORD	1				0.004	0.0088
370	16241-11770	ASSY MANIFOLD INLET	1				0.38	0.836

# MUFFLER,EXHAUST MANIFOLD



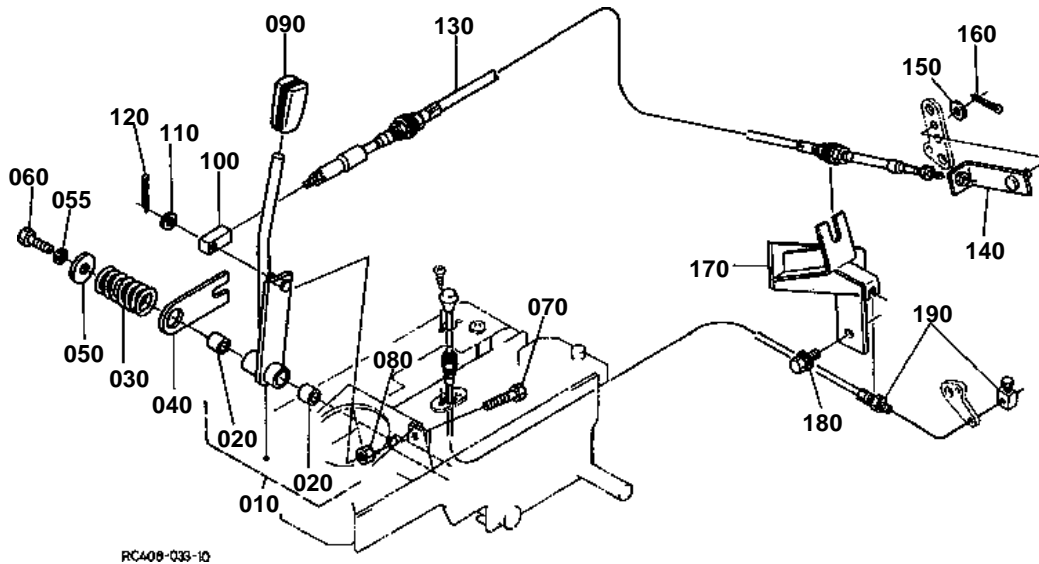


# MUFFLER,EXHAUST MANIFOLD

↔ Interchangeable; ≠ not interchangeable; ← new for old; → old for new

REF.No	Part No.	Description	Q'ty	S.No.	I/C	REMARKS	Weight (kgf)	Weight (lb)
010	15263-12370	GASKET MUFFLER NA	1				0.015	0.033
020	68391-42450	FLANGE MUFFLER	1				0.13	0.286
030	01123-60820	BOLT	4				0.015	0.033
040	68391-42440	MUFFLER	1				4.68	10.296
050	66711-54420	BAND PIPE	2				0.038	0.0836
060	01153-60865	BOLT	2				0.04	0.088
070	04013-60080	WASHER PLAIN	4				0.002	0.0044
080	04512-60080	WASHER SPRING	2				0.002	0.0044
090	02114-60080	NUT	2				0.002	0.0044
100	RC301-42420	BRACKET MUFFLER	1				3.58	7.876
110	01135-61020	BOLT	4				0.015	0.033
120	69284-42420	BAND MUFFLER	2				0.3	0.66
130	04013-60100	WASHER PLAIN	2				0.003	0.0066
140	02118-60100	NUT	4				0.006	0.0132
150	01133-61020	BOLT	2				0.02	0.044
160	RC301-42430	BRACKET PIPE	1				0.1	0.22
170	01133-61030	BOLT	2				0.023	0.0506
180	04015-60100	WASHER PLAIN	2				0.015	0.033
190	RC301-42440	PIPE MUFFLER	1				0.52	1.144
200	68271-42530	U-BOLT	1				0.07	0.154
210	02114-60100	NUT	4				0.008	0.0176
220	04013-60100	WASHER PLAIN	2				0.003	0.0066
230	16283-12310	MANIFOLD EXHAUST	1				2.3	5.06
240	16299-12360	GASKET EX-MANIFOLD	1				0.02	0.044
250	16241-91490	STUD	8				0.005	0.011
260	16271-92010	NUT	8				0.005	0.011

# ACCEL LEVER



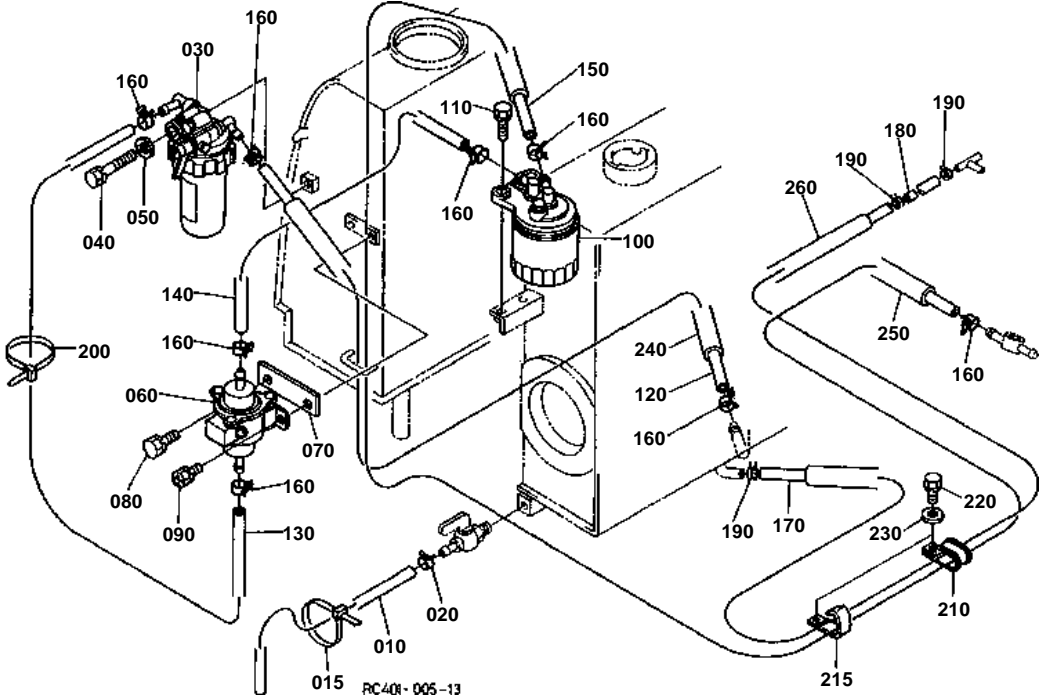


## ACCEL LEVER

↔ Interchangeable; ≠ not interchangeable; ← new for old; → old for new

REF.No	Part No.	Description	Q'ty	S.No.	I/C	REMARKS	Weight (kgf)	Weight (lb)
010	RC101-35100	ASSY LEVER ACCEL.	1				0.55	1.21
020	08511-01615	BUSH	2				0.01	0.022
030	RC101-35120	SPRING	1				0.13	0.286
040	RC101-35170	PLATE	1				0.071	0.1562
050	RC101-35210	PLATE	1				0.027	0.0594
055	04512-60100	WASHER SPRING	1				0.002	0.0044
060	01175-61035	BOLT	1				0.03	0.066
070	01175-61045	BOLT	2				0.04	0.088
080	02118-60100	NUT	2				0.006	0.0132
090	55611-31460	GRIP LEVER	1				0.03	0.066
100	RC101-35070	ADAPTER	1				0.058	0.1276
110	04012-50060	WASHER PLAIN	1				0.001	0.0022
120	05511-51612	PIN SPLIT	1				0.001	0.0022
130	RC101-35130	CABLE ACCEL	1				0.3	0.66
140	68741-35170	LEVER	1				0.06	0.132
150	04012-50080	WASHER PLAIN	1				0.001	0.0022
160	05511-50215	PIN SPLIT	1				0.001	0.0022
170	RC308-35140	SUPPORT ACCEL	1				0.2	0.44
180	01135-61020	BOLT	2				0.015	0.033
190	RC408-53230	CABLE STOP	1				0.12	0.264

FUEL PIPING

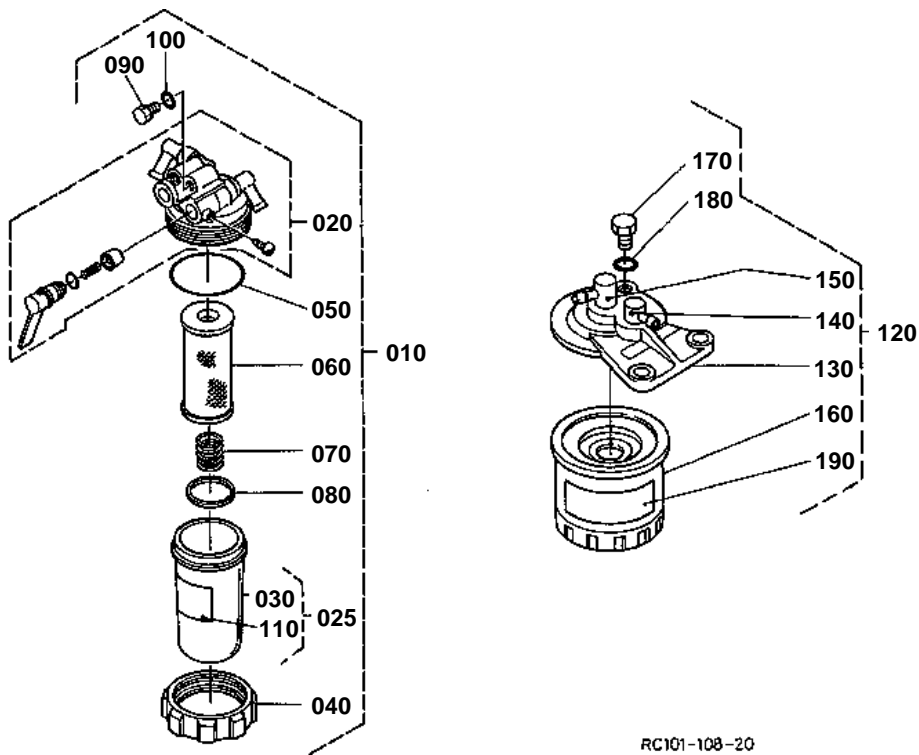


**FUEL PIPING**

↔ Interchangeable; ≠ not interchangeable; ← new for old; → old for new

REF.No	Part No.	Description	Q'ty	S.No.	I/C	REMARKS	Weight (kgf)	Weight (lb)
010	09661-80350	TUBE FUEL	1				0.04	0.088
015	55311-41260	BAND CORD	1				0.007	0.0154
020	14301-42750	CLIP PIPE	1				0.005	0.011
030	15831-43353	ASSY SEDIMENTER	1				0.325	0.715
040	01123-60865	BOLT	1				0.025	0.055
050	04013-60080	WASHER PLAIN	1				0.002	0.0044
060	16851-52030	ASSY PUMP FUEL	1				0.2	0.44
070	66591-54560	CUSHION RUBBER	1				0.014	0.0308
080	01123-60816	BOLT	1				0.01	0.022
090	01202-60616	BOLT	1				0.005	0.011
100	15291-43010	ASSY FILTER FUEL	1				0.519	1.1418
110	01123-60825	BOLT	2				0.012	0.0264
120	09661-81290	TUBE FUEL	1				0.15	0.33
130	09661-80410	TUBE FUEL	1				0.05	0.11
140	09661-80190	TUBE FUEL	1				0.022	0.0484
150	09661-82200	TUBE FUEL	1				0.27	0.594
160	14301-42750	CLIP PIPE	8				0.005	0.011
170	09661-41200	TUBE FUEL	1	<=11785			0.06	0.132
170	09664-41200	TUBE FUEL	1	>=11786	↔		0.07	0.154
180	RC301-51170	THROTTLE	1				0.001	0.0022
190	15271-42710	CLIP PIPE	3				0	0
200	55311-41260	BAND CORD	6				0.007	0.0154
210	90038-11180	CLAMP	1				0.02	0.044
215	68111-53510	CLAMP CORD	2				0.02	0.044
220	01133-61016	BOLT	3				0.018	0.0396
230	04015-60100	WASHER PLAIN	3				0.015	0.033
240	69251-51160	TUBE	1				0.15	0.33
250	RC301-51150	TUBE	1				0.3	0.66
260	68741-51260	TUBE PROTECTOR	1				0.14	0.308

FUEL FILTER [COMPONENT PARTS]



RC101-108-20



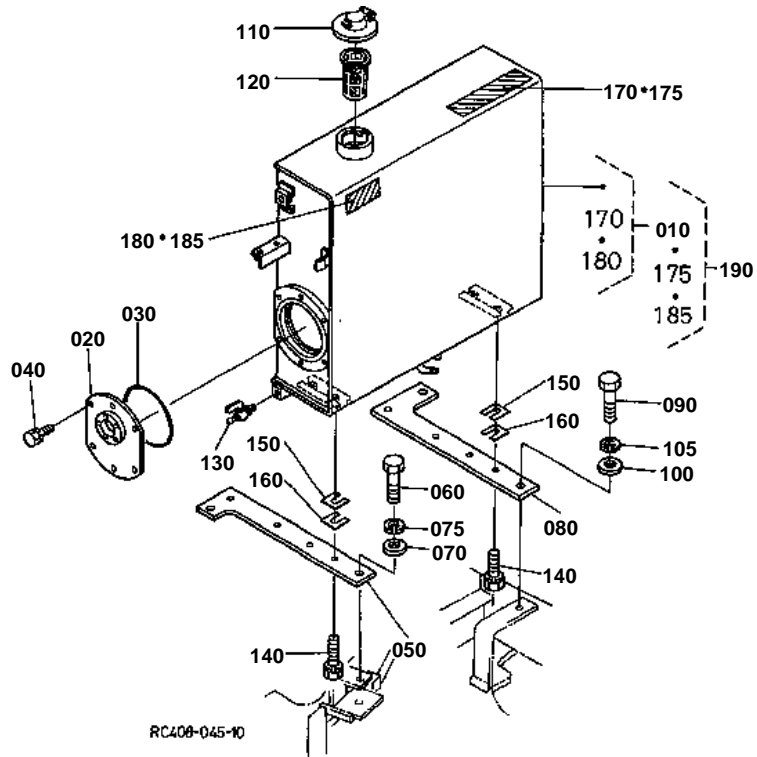


## FUEL FILTER [COMPONENT PARTS]

↔ Interchangeable; ≠ not interchangeable; ← new for old; → old for new

REF.No	Part No.	Description	Q'ty	S.No.	I/C	REMARKS	Weight (kgf)	Weight (lb)
010	15831-43353	ASSY SEDIMENTER	1				0.325	0.715
020	15831-43110	COMP.BODY	1				0.14	0.308
025	15831-43100	ASSY CUP FILTER	1				0.028	0.0616
030	16271-43580	CUP FILTER	1				0.045	0.099
040	16271-43590	RING RETAINING	1				0.075	0.165
050	16271-43570	O RING FILTER CUP	1				0.001	0.0022
060	15831-43380	ELEMENT	1				0.04	0.088
070	15831-43930	SPRING	1				0.005	0.011
080	15831-43250	FLOAT	1				0.001	0.0022
090	15231-43283	SCREW AIR BREATHER	1				0.003	0.0066
100	15831-43340	GASKET	1				0.001	0.0022
110	15831-87462	LABEL	1				0.001	0.0022
120	15291-43010	ASSY FILTER FUEL	1				0.519	1.1418
130	15221-43210	COVER FILTER	1				0.25	0.55
140	15108-43610	JOINT PIPE	1				0.02	0.044
150	15108-43780	JOINT PIPE	1				0.02	0.044
160	15221-43170	ELEMENT FILTER	1				0.31	0.682
170	19222-43280	PLUG FILTER BREATHER	1				0.01	0.022
180	15108-43290	O RING	1				0.001	0.0022
190	15291-87760	MARK FORM	1				0.005	0.011

# FUEL TANK

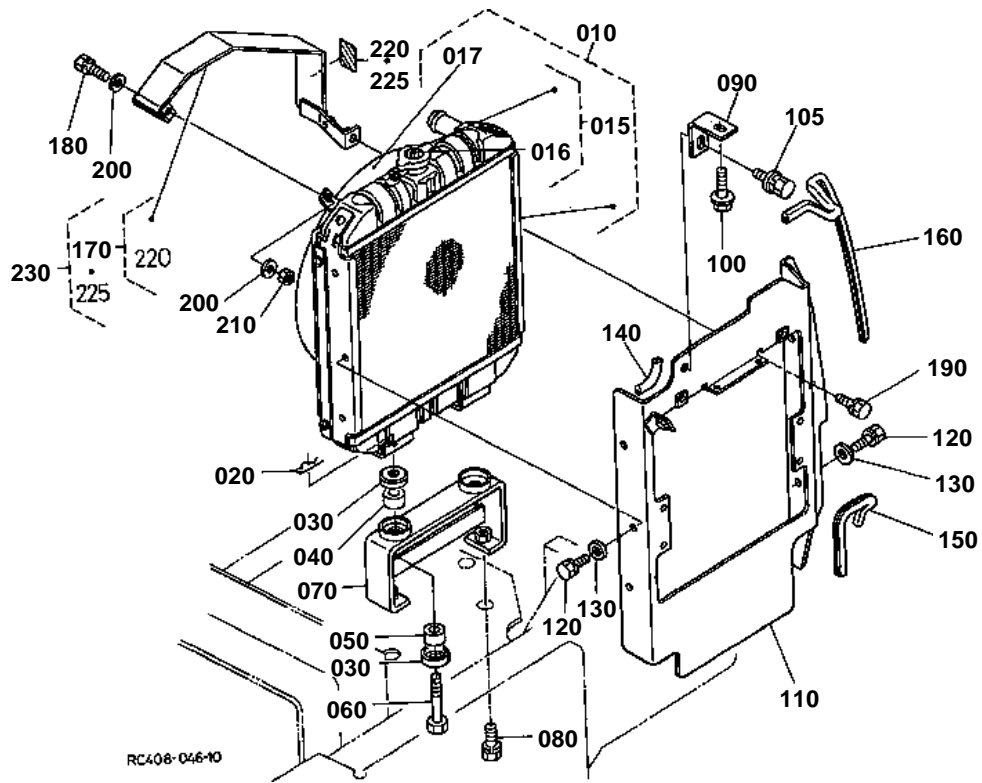


**FUEL TANK**

↔ Interchangeable; ≠ not interchangeable; ← new for old; → old for new

REF.No	Part No.	Description	Q'ty	S.No.	I/C	REMARKS	Weight (kgf)	Weight (lb)
010	RC408-91430	KIT TANK FUEL(A)	1				0	0
020	RC108-51130	COVER FUEL TANK	1				1.092	2.4024
030	68391-51260	O RING	1				0.14	0.308
040	01133-61016	BOLT	6				0.018	0.0396
050	RC301-51213	BRACKET TANK	1				2.94	6.468
060	01173-61645	BOLT	2				0.09	0.198
070	04015-60160	WASHER PLAIN	2				0.058	0.1276
075	04512-60160	WASHER SPRING	2				0.01	0.022
080	RC301-51224	BRACKET TANK	1				1.9	4.18
090	01173-61645	BOLT	2				0.09	0.198
100	04015-60160	WASHER PLAIN	2				0.058	0.1276
105	04512-60160	WASHER SPRING	2				0.01	0.022
110	RC101-51120	CAP TANK	1				0.33	0.726
120	14261-41350	FILTER	1				0.02	0.044
130	15193-41380	COCK FUEL	1				0.075	0.165
140	01133-61235	BOLT	4				0.043	0.0946
150	68351-62172	SHIM	5				0.006	0.0132
160	68351-62162	SHIM	5				0.006	0.0132
170	68198-57790	LABEL CAUTION	1			ENGLISH	0	0
175	RC108-58630	LABEL CAUTION	1			FRENCH	0	0
180	68308-57290	LABEL	1			ENGLISH	0.001	0.0022
185	RC108-58660	LABEL	1			FRENCH	0.001	0.0022
190	RC408-91730	KIT TANK FUEL(B)	1				0	0

# RADIATOR

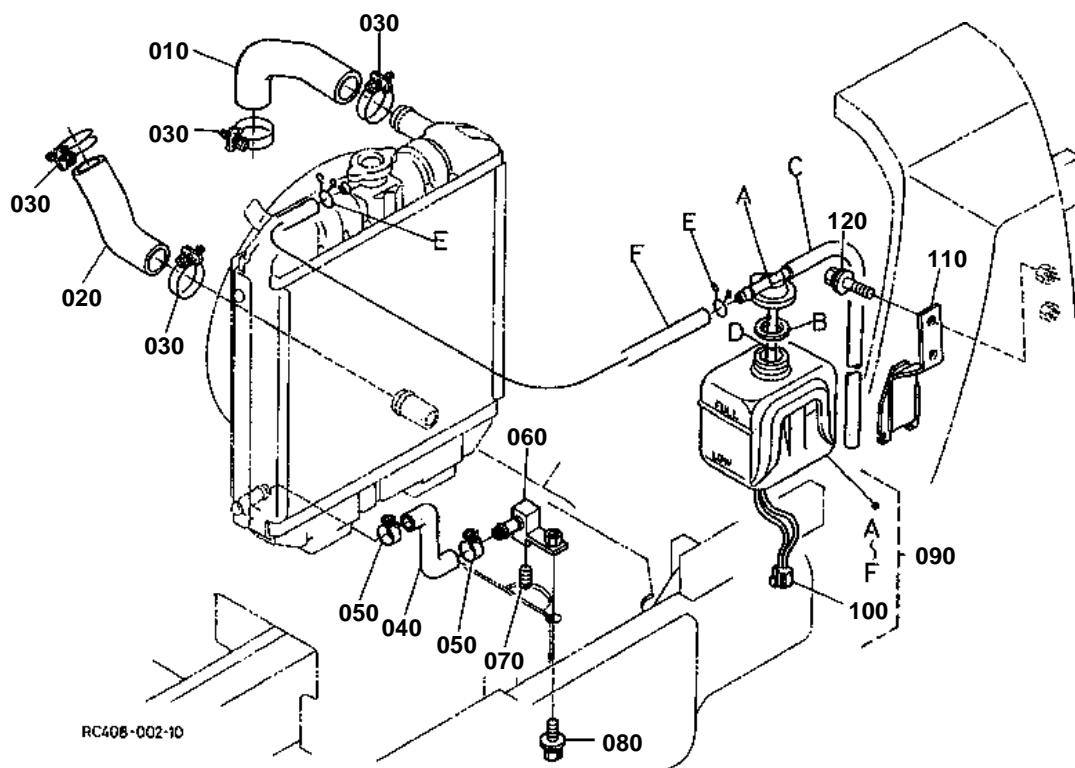


**RADIATOR**

↔ Interchangeable; ≠ not interchangeable; ← new for old; → old for new

REF.No	Part No.	Description	Q'ty	S.No.	I/C	REMARKS	Weight (kgf)	Weight (lb)
010	RC301-42300	ASSY RADIATOR	1				5.8	12.76
015	16271-72020	ASSY CAP RADIATOR	1				0.045	0.099
016	16667-87240	LABEL CAUTION	1				0.001	0.0022
017	RC301-42520	SHROUD FAN	1				1.13	2.486
020	05515-61000	PIN SNAP	2				0.003	0.0066
030	15111-72200	WASHER	4				0.013	0.0286
040	15111-72180	CUSHION	2				0.015	0.033
050	15111-72190	CUSHION	2				0.016	0.0352
060	15108-72380	BOLT	2				0.04	0.088
070	RC301-42310	BRACKET RADIATOR	1				1.25	2.75
080	01133-61020	BOLT	2				0.02	0.044
090	RC101-42320	SUPPORT RADIATOR	1				0.103	0.2266
100	01135-61020	BOLT	1				0.015	0.033
105	01135-61025	BOLT	1				0.04	0.088
110	RC301-42370	PLATE PARTITION	1				4.65	10.23
120	01202-60612	BOLT	6				0.006	0.0132
130	04013-60060	WASHER PLAIN	6				0.001	0.0022
140	68493-42750	GROMMET	1				0.001	0.0022
150	68818-43190	GROMMET BONNET	1				0.025	0.055
160	68151-42390	GROMMET	1				0.05	0.11
170	RC408-91360	KIT COVER FAN(A)	1				3.67	8.074
180	01202-60620	BOLT	1				0.002	0.0044
190	01202-60612	BOLT	1				0.006	0.0132
200	04013-60060	WASHER PLAIN	2				0.001	0.0022
210	02014-60060	NUT	1				0.002	0.0044
220	RC108-57540	LABEL	1			ENGLISH	0.001	0.0022
225	RC108-58620	LABEL	1			FRENCH	0.001	0.0022
230	RC408-91660	KIT COVER FAN(B)	1				0	0

# WATER PIPE



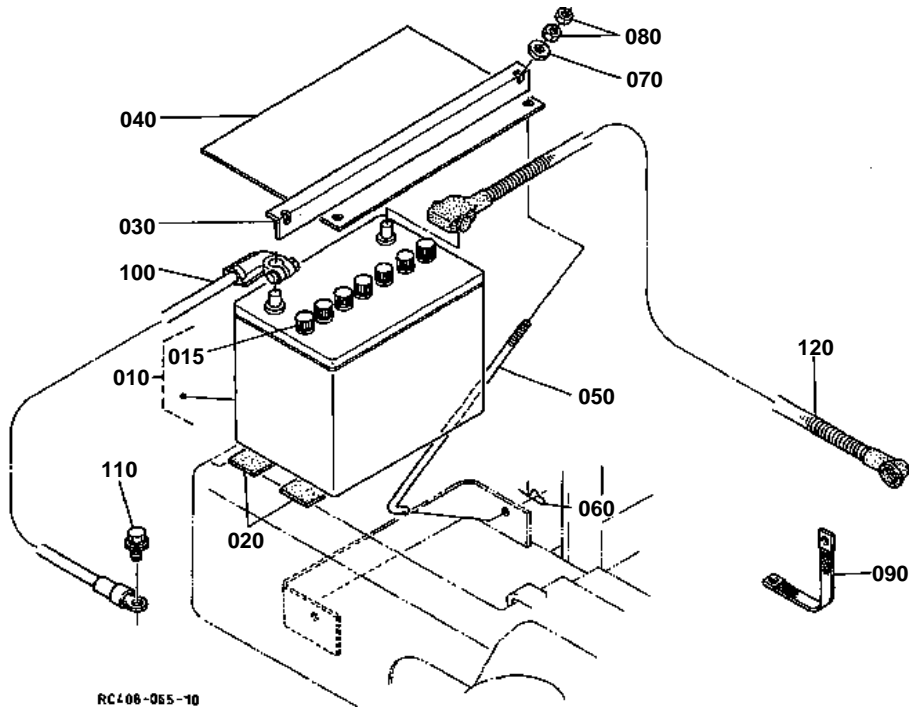


## WATER PIPE

↔ Interchangeable; ≠ not interchangeable; ← new for old; → old for new

REF.No	Part No.	Description	Q'ty	S.No.	I/C	REMARKS	Weight (kgf)	Weight (lb)
010	RC301-42330	HOSE	1				0.12	0.264
020	RC301-42342	HOSE	1				0.094	0.2068
030	09318-89039	CLAMP HOSE	4				0.02	0.044
040	RC301-42350	HOSE DRAIN	1				0.03	0.066
050	68311-72810	CLAMP HOSE	2				0.02	0.044
060	RC301-42450	JOINT	1				0.23	0.506
070	06312-10030	PLUG	1				0.029	0.0638
080	01135-61025	BOLT	1				0.04	0.088
090	RC301-42470	ASSY TANK RESERVE	1				0.39	0.858
100	15521-72992	SWITCH WATER LEVEL	1				0.06	0.132
110	RC408-42360	STAY RESERVE TANK	1				0.19	0.418
120	01135-61020	BOLT	2				0.015	0.033

BATTERY



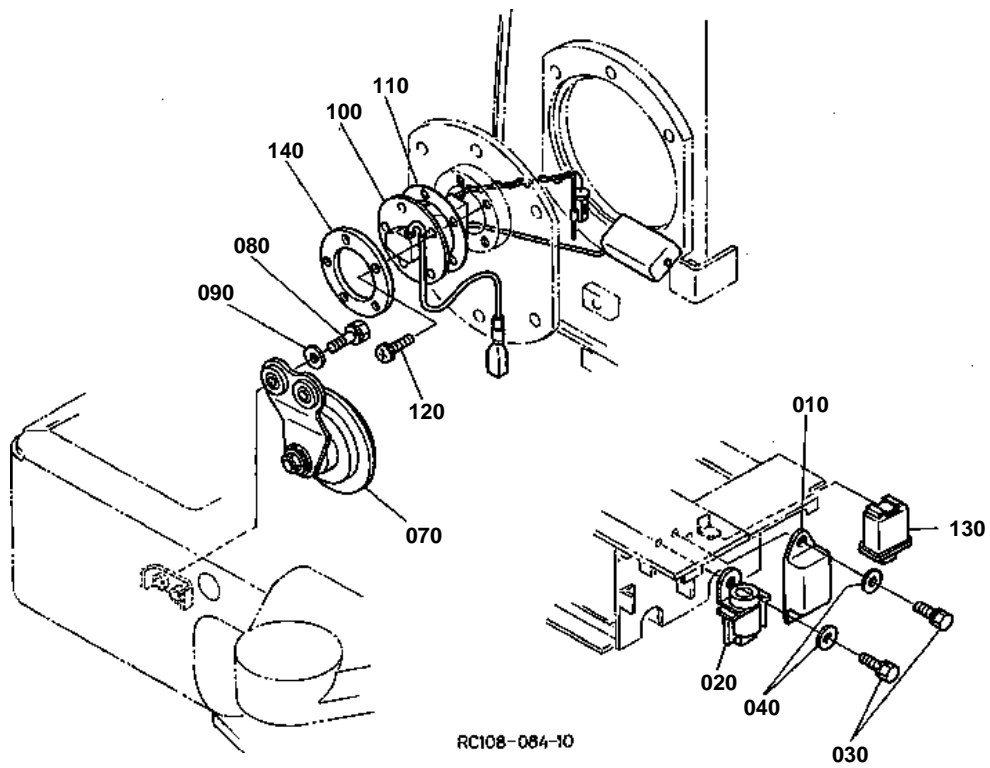


**BATTERY**

↔ Interchangeable; ≠ not interchangeable; ← new for old; → old for new

REF.No	Part No.	Description	Q'ty	S.No.	I/C	REMARKS	Weight (kgf)	Weight (lb)
010	68131-53410	BATTERY(DR)	1			<=DEC.98	14	30.8
010	68198-99610	BATTERY	1		≠	>=JAN.99	0	0
015	32160-33170	PLUG BATTERY	6				0.008	0.0176
020	68241-53312	CUSHION	2				0.025	0.055
030	32200-33270	RETAINER BATTERY	1			<=DEC.98	0.218	0.4796
030	RC101-53260	RETAINER BATTERY	1		≠	>=JAN.99	0.151	0.3322
040	RC301-53370	COVER BATTERY	1			<=DEC.98	0.115	0.253
040	RC101-53370	COVER BATTERY	1		≠	>=JAN.99	0.106	0.2332
050	RC101-53290	BOLT BATTERY	2				0.04	0.088
060	05525-60600	PIN SNAP	2				0.001	0.0022
070	04013-60060	WASHER PLAIN	2				0.001	0.0022
080	02014-60060	NUT	4				0.002	0.0044
090	68311-53250	CORD BODY EARTH	1				0.04	0.088
100	RC301-53220	CORD EARTH	1				0.27	0.594
110	01135-61020	BOLT	2				0.015	0.033
120	RC301-53230	CORD BATTERY	1				1	2.2

TIMER, HORN

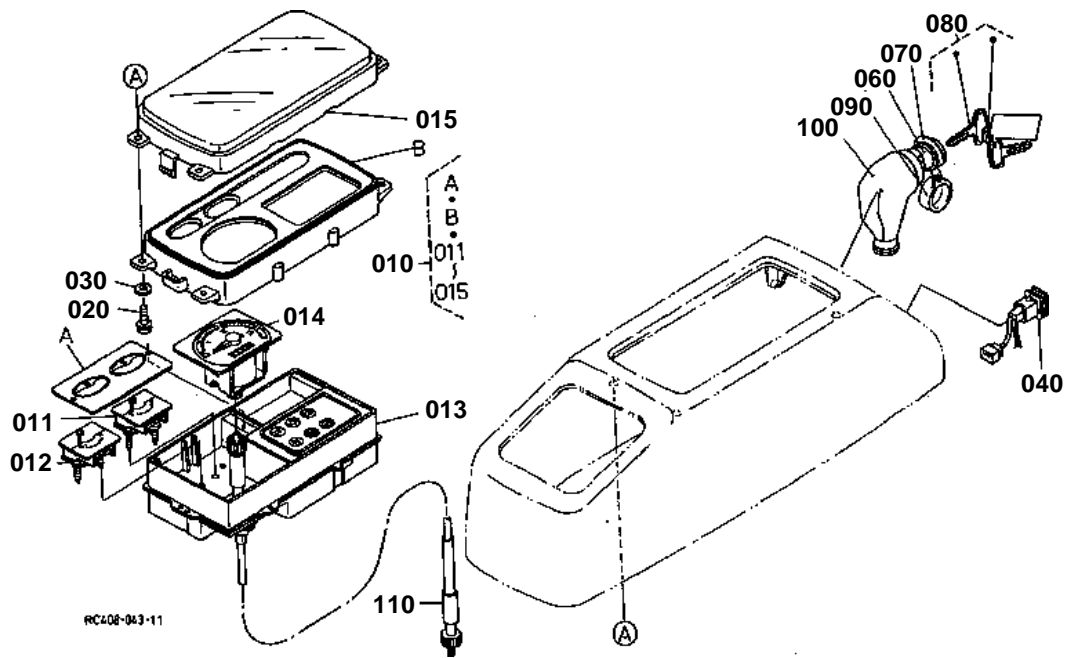


**TIMER,HORN**

↔ Interchangeable; ≠ not interchangeable; ← new for old; → old for new

REF.No	Part No.	Description	Q'ty	S.No.	I/C	REMARKS	Weight (kgf)	Weight (lb)
010	15694-65990	TIMER GLOW LAMP	1				0.03	0.066
020	36530-55630	RELAY	1				0.06	0.132
030	01202-60616	BOLT	2				0.005	0.011
040	04013-60060	WASHER PLAIN	2				0.001	0.0022
050	99999-99999	BLANK	0				0	0
060	99999-99999	BLANK	0				0	0
070	RC101-53360	ASSY HORN	1				0.26	0.572
080	01202-50625	BOLT	2				0.014	0.0308
090	04015-60060	WASHER PLAIN	2				0.005	0.011
100	RC301-53250	SENSOR FUEL GAUGE	1				0.3	0.66
110	RC101-51342	GASKET	1				0.008	0.0176
120	03024-60516	SCREW WITH WASHER	5				0.003	0.0066
130	RC101-53650	RELAY TIMER	1				0.1	0.22
140	RC101-51330	PLATE FUEL UNIT	1				0.054	0.1188

SWITCH,METER

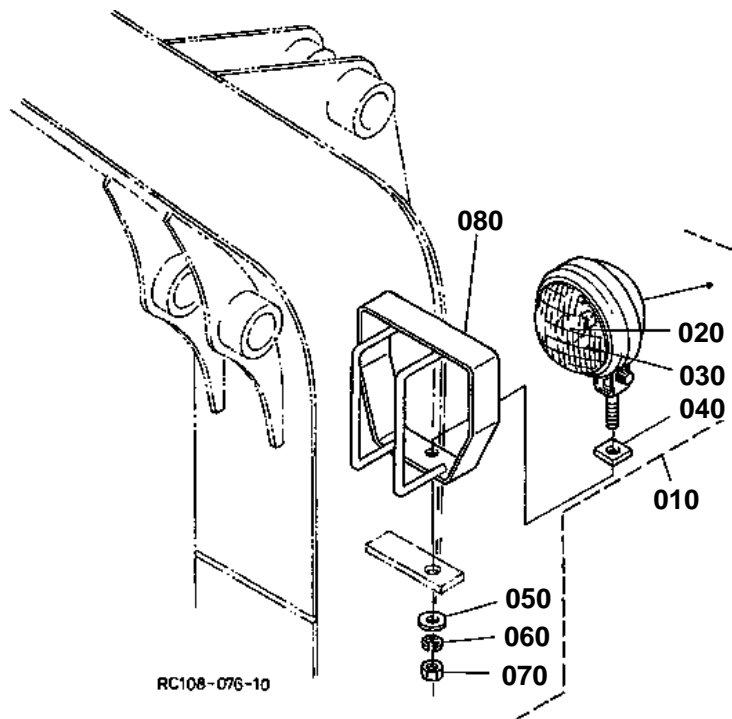


**SWITCH,METER**

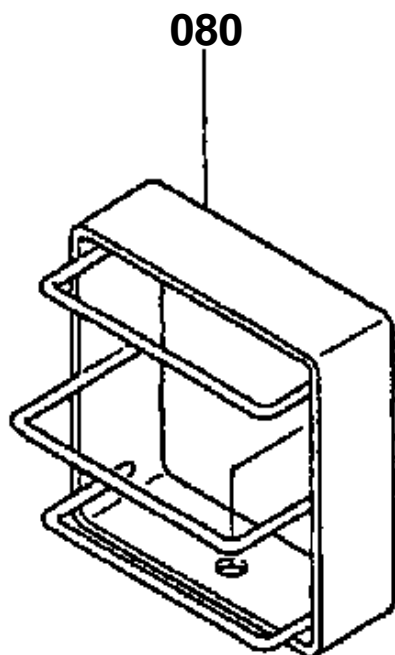
↔ Interchangeable; ≠ not interchangeable; ← new for old; → old for new

REF.No	Part No.	Description	Q'ty	S.No.	I/C	REMARKS	Weight (kgf)	Weight (lb)
010	RC401-53160	METER	1				0	0
011	RC101-53170	ASSY GAUGE SUB	1				0.05	0.11
012	RC101-53180	ASSY GAUGE SUB	1	<=12148			0	0
012	RC101-53182	ASSY GAUGE SUB	1	>=12149	←		0.02	0.044
013	RC401-53190	ASSY CASE SUB	1				0	0
014	RC401-53200	ASSY TACHOMETER	1				0.21	0.462
015	RC101-53090	WINDOW FRONT	1				0.24	0.528
020	03024-60416	SCREW WITH WASHER	4				0.001	0.0022
030	04013-60040	WASHER PLAIN	4				0.002	0.0044
040	36919-54222	SWITCH WORK LIGHT	1				0.04	0.088
050	99999-99999	BLANK	0				0	0
060	RA111-53690	SWITCH STARTER	1	<=12348			0.27	0.594
060	RA111-53690	SWITCH STARTER	1	>=12349	↔		0.27	0.594
070	66706-55150	LABEL STARTER SWITCH	1				0.001	0.0022
080	RC101-53630	ASSY KEY STARTER	1				0.032	0.0704
090	54611-41120	CAP STARTER SWITCH	1				0.012	0.0264
100	68551-53210	COVER WATERPROOF	1	<=12348			0	0
100	RA111-53340	COVER DUSTPROOF	1	>=12349	↔		0.03	0.066
110	RC401-53240	CABLE METER	1				0.4	0.88

LIGHT



080 68328-5345-0



RC108-802-10

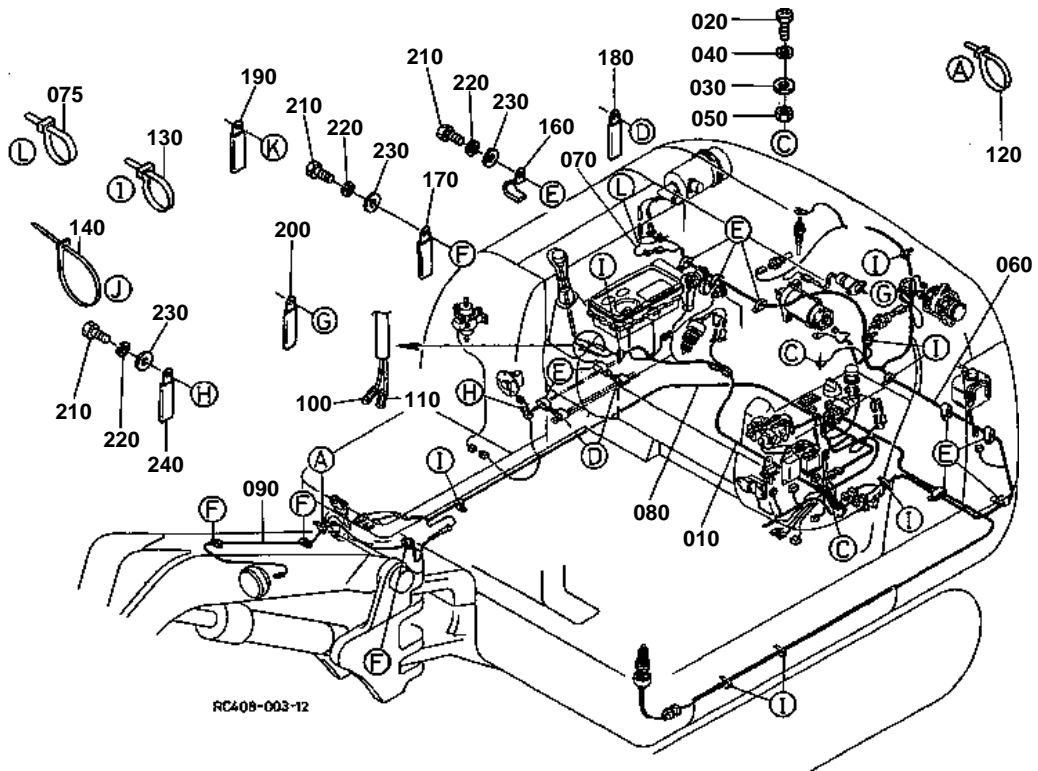
**LIGHT**

↔ Interchangeable; ≠ not interchangeable; ← new for old; → old for new

REF.No	Part No.	Description	Q'ty	S.No.	I/C	REMARKS	Weight (kgf)	Weight (lb)
010	RC101-53670	ASSY LAMP ELECTRIC	1				0.48	1.056
020	68311-53440	BULB	1				0.03	0.066
030	68311-53450	LENS	1				0.11	0.242
040	68311-53460	CUSHION	1				0.01	0.022
050	04013-60100	WASHER PLAIN	1				0.003	0.0066
060	04512-60100	WASHER SPRING	1				0.002	0.0044
070	02118-60100	NUT	1				0.006	0.0132
080	RC108-53580	GUARD LIGHT	1	<=12114			0.83	1.826
080	RC108-53580	GUARD LIGHT	1	>=12115	←		0.83	1.826



ELECTRICAL WIRING

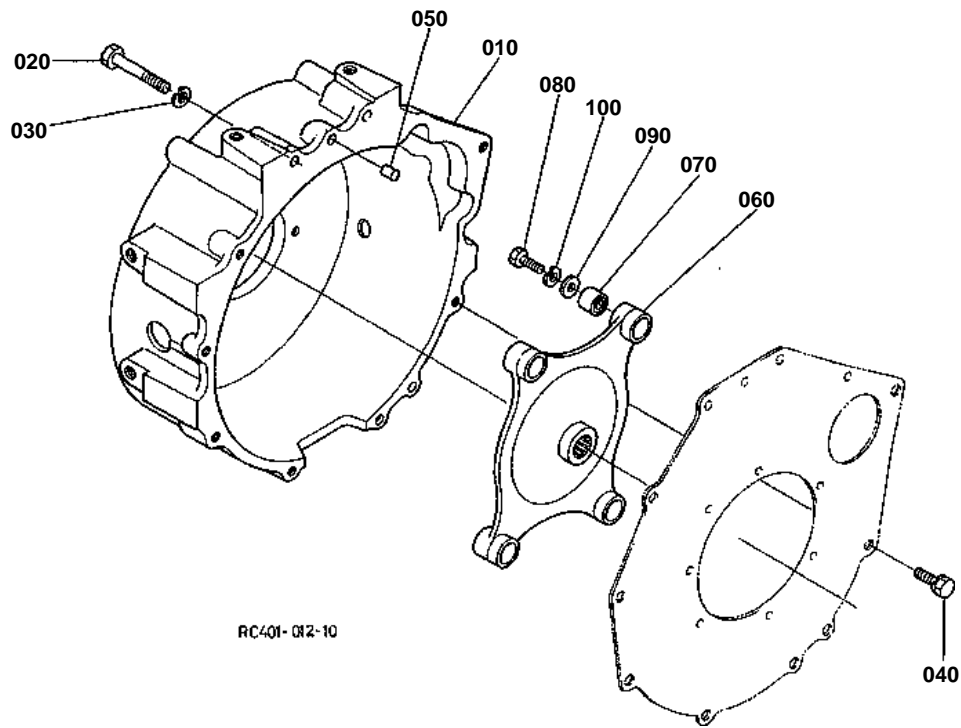


**ELECTRICAL WIRING**

↔ Interchangeable; ≠ not interchangeable; ← new for old; → old for new

REF.No	Part No.	Description	Q'ty	S.No.	I/C	REMARKS	Weight (kgf)	Weight (lb)
010	RC108-53370	WIRE HARNESS	1				0.92	2.024
020	01222-50620	BOLT	2				0.006	0.0132
030	04013-60060	WASHER PLAIN	2				0.001	0.0022
040	04512-60060	WASHER SPRING	2				0.001	0.0022
050	02014-60060	NUT	2				0.002	0.0044
060	RC301-53380	WIRE HARNESS	1				0.71	1.562
070	RC308-53340	WIRE HARNESS A/C	1				0.003	0.0066
075	55311-41260	BAND CORD	1				0.007	0.0154
080	RC301-53330	WIRE HARNESS	1			≤=DEC.98	0.25	0.55
080	RC301-53332	WIRE HARNESS	1		≠	≥=JAN.99	0	0
090	RC101-53340	WIRE HARNESS	1				0.06	0.132
100	68271-65900	ASSY TERMINAL	1				0.001	0.0022
110	68741-53400	ASSY TERMINAL	1				0.002	0.0044
120	55311-41260	BAND CORD	1				0.007	0.0154
130	55311-41260	BAND CORD	13				0.007	0.0154
140	71585-11190	BAND INLET PIPE	2				0.002	0.0044
150	99999-99999	BLANK	0				0	0
160	36200-77610	ASSY CLAMP CORD	9				0.002	0.0044
170	34260-29380	CLAMP CORD	3				0	0
180	90038-11180	CLAMP	2				0.02	0.044
190	68011-51160	CLAMP CORD	6				0.008	0.0176
200	34150-29390	CLAMP CORD	1				0.004	0.0088
210	01173-61014	BOLT	13				0.02	0.044
220	04512-60100	WASHER SPRING	13				0.002	0.0044
230	04013-60100	WASHER PLAIN	13				0.003	0.0066
240	37150-34460	CLAMP CORD	2				0.03	0.066

# PUMP HOUSING



RC401-Q12-10

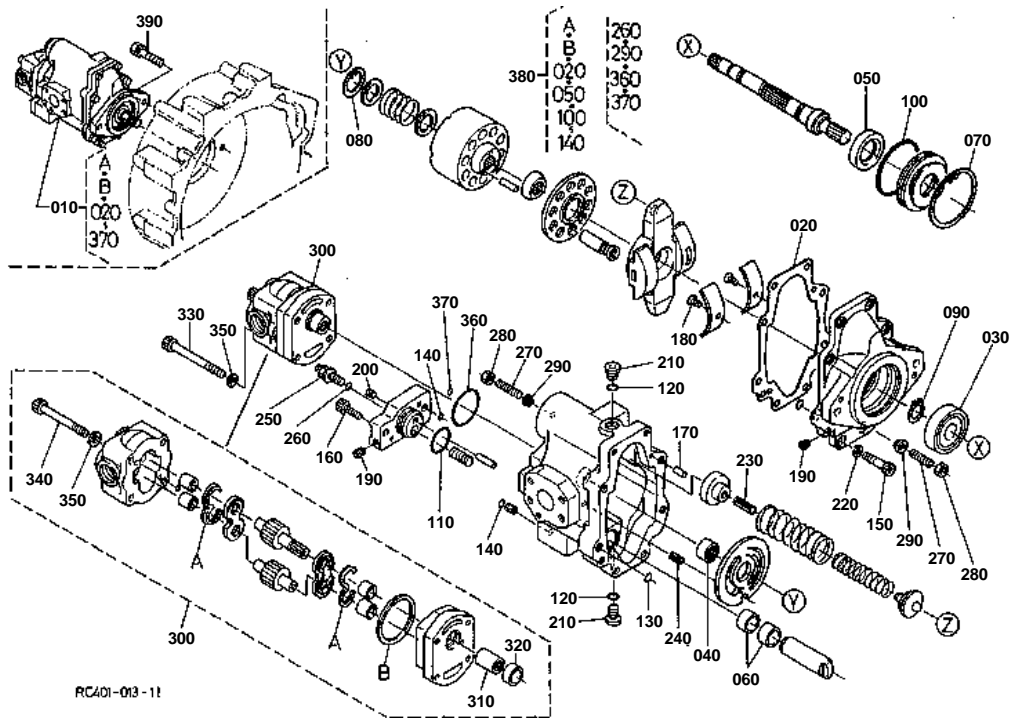


## PUMP HOUSING

↔ Interchangeable; ≠ not interchangeable; ← new for old; → old for new

REF.No	Part No.	Description	Q'ty	S.No.	I/C	REMARKS	Weight (kgf)	Weight (lb)
010	RC401-42610	HOUSING PUMP	1	<=12132			0	0
010	RC401-42614	HOUSING PUMP	1	>=12133	←		13.4	29.48
020	01173-61085	BOLT	2				0.052	0.1144
030	04512-60100	WASHER SPRING	2				0.002	0.0044
040	01123-60816	BOLT	7				0.01	0.022
050	05012-00814	PIN STRAIGHT	2				0.006	0.0132
060	RC401-42620	FLANGE COUPLING	1				2.68	5.896
070	RC101-42630	COUPLING RUBBER	4				0.04	0.088
080	68841-42660	BOLT	4				0.03	0.066
090	68311-42650	WASHER	4				0.02	0.044
100	04512-60100	WASHER SPRING	4				0.002	0.0044

# PISTON PUMP AND COMPONENT PARTS



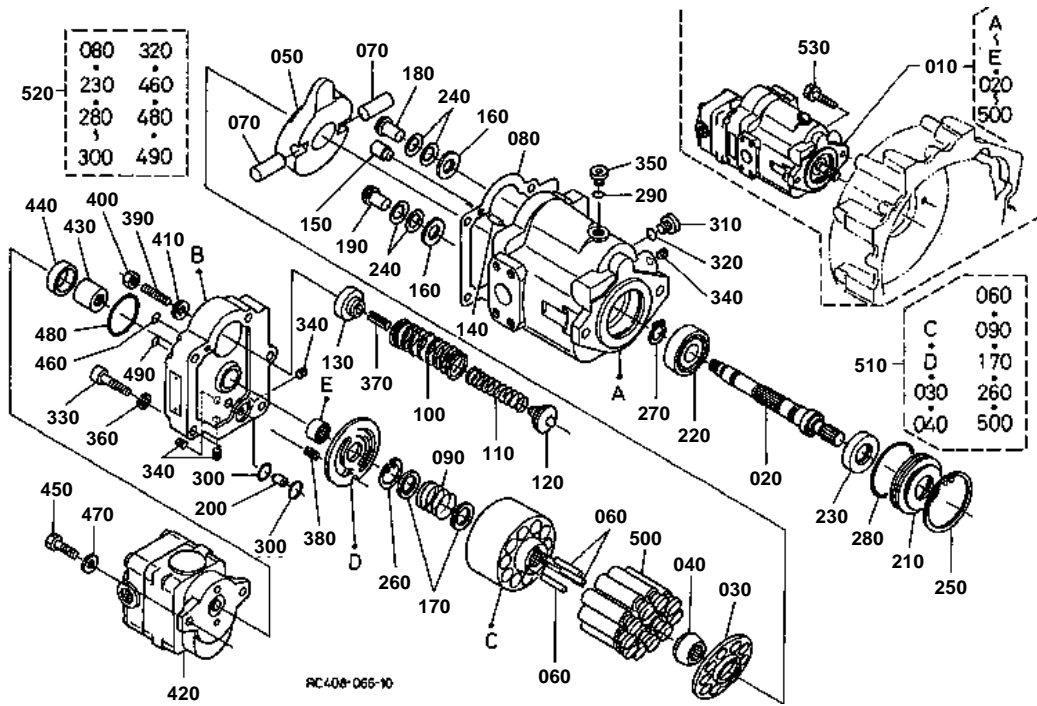


**PISTON PUMP AND COMPONENT PARTS**  
S.NO.A:<=DEC.98

↔ Interchangeable; ≠ not interchangeable; ← new for old; → old for new

REF.No	Part No.	Description	Q'ty	S.No.	I/C	REMARKS	Weight (kgf)	Weight (lb)
010	RC401-61110	ASSY PUMP PISTON	1				22.6	49.72
020	RC401-69010	GASKET	1				0.015	0.033
030	RC401-69020	BEARING BALL	1				0.23	0.506
040	RC401-69030	BEARING NEEDLE	1				0.028	0.0616
050	RC401-69040	SEAL OIL	1				0.035	0.077
060	RC401-69050	BRACKET SHAFT	2				0.014	0.0308
070	RC401-69060	RING SNAP	1				0.023	0.0506
080	RC401-69070	RING SNAP	1				0.004	0.0088
090	RC401-69080	RING SNAP	1				0.002	0.0044
100	RC401-69090	O RING	1				0	0
110	RC401-69110	O RING	1				0	0
120	RC401-69120	O RING	2				0	0
130	RC401-69130	O RING	2				0	0
140	RC401-69140	O RING	2				0	0
150	RC401-69150	BOLT HEX-SOC-HD	8				0.029	0.0638
160	RC401-69160	BOLT HEX-SOC-HD	2				0.028	0.0616
170	RC401-69170	PIN STRAIGHT	2				0.003	0.0066
180	RC401-69180	SCREW CSK-HD	1				0.001	0.0022
190	RC401-69190	PLUG	10				0.015	0.033
200	RC401-69210	PLUG	1				0.007	0.0154
210	RC401-69220	PLUG	2				0.025	0.055
220	RC401-69230	WASHER SPRING	8				0.003	0.0066
230	RC401-69240	PIN SPRING	1				0.012	0.0264
240	RC401-69250	PIN SPRING	1				0.003	0.0066
250	RC401-69260	ASSY BOLT	1				0.045	0.099
260	RC401-69270	O RING	1				0	0
270	RC401-69280	SCREW SET HEX-SOC-HD	2				0.011	0.0242
280	RC401-69290	NUT LOCK	2				0.005	0.011
290	RC401-69310	WASHER SEAL	2				0.001	0.0022
300	RC401-69320	KIT PUMP GEAR	1				2	4.4
310	RC401-69330	COUPLING	1				0.05	0.11
320	RC401-69340	COLLAR	1				0.007	0.0154
330	RC401-69350	BOLT HEX-SOC-HD	2				0.05	0.11
340	RC401-69360	BOLT HEX-SOC-HD	2				0.065	0.143
350	RC401-69370	WASHER	4				0.004	0.0088
360	RC401-69380	O RING	1				0	0
370	RC401-69390	O RING	1				0	0
380	RC401-69410	KIT SEAL	1				0.079	0.1738
390	01133-61230	BOLT	2				0.04	0.088

# PISTON PUMP AND COMPONENT PARTS





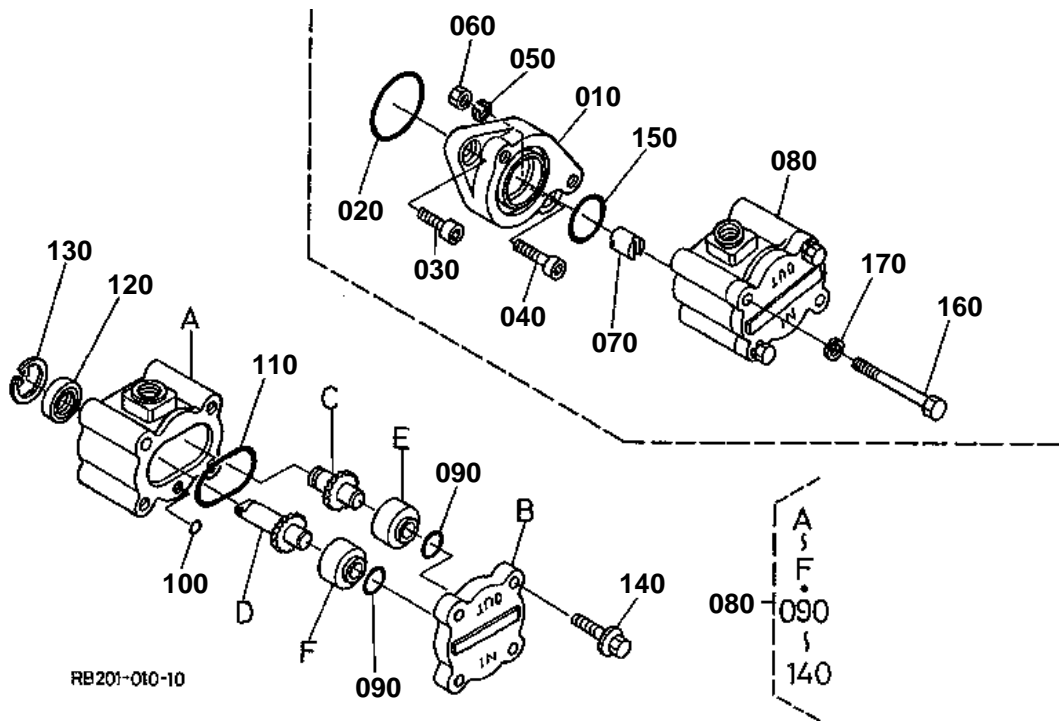
**PISTON PUMP AND COMPONENT PARTS**  
S.NO.A:>=JAN.99

↔ Interchangeable; ≠ not interchangeable; ← new for old; → old for new

REF.No	Part No.	Description	Q'ty	S.No.	I/C	REMARKS	Weight (kgf)	Weight (lb)
010	RC401-61120	ASSY PUMP PISTON	1				16.7	36.74
020	RC401-69510	SHAFT	1				0.69	1.518
030	RC401-69520	HOLDER SHOE	1				0.093	0.2046
040	RC401-69530	HOLDER BARREL	1				0.027	0.0594
050	RC401-69540	SWASH PLATE	1				0.91	2.002
060	RC401-69550	NEEDLE	3				0.002	0.0044
070	RC401-69560	PIN	2				0.014	0.0308
080	RC401-69570	GASKET	1				0.02	0.044
090	RC401-69580	SPRING	1				0.06	0.132
100	RC401-69590	SPRING	1				0.31	0.682
110	RC401-69610	SPRING	1				0.07	0.154
120	RC401-69620	HOLDER SPRING	1				0.049	0.1078
130	RC401-69630	GUIDE SPRING	1				0.14	0.308
140	RC401-69640	PIN	1				0.003	0.0066
150	RC401-69650	ROD	1				0.015	0.033
160	RC401-69660	WASHER	2				0.007	0.0154
170	RC401-69670	RETAINER	3				0.006	0.0132
180	RC401-69680	PIN STOPPER	1				0.034	0.0748
190	RC401-69690	PIN STOPPER	1				0.03	0.066
200	RC401-69710	PIN	1				0.003	0.0066
210	RC401-69720	HOLDER SEAL	1				0.25	0.55
220	RC401-69020	BEARING BALL	1				0.23	0.506
230	RC401-69040	SEAL OIL	1				0.035	0.077
240	RC401-69730	SPRING PLATE	4				0.006	0.0132
250	RC401-69060	RING SNAP	1				0.023	0.0506
260	RC401-69070	RING SNAP	1				0.004	0.0088
270	RC401-69080	RING SNAP	1				0.002	0.0044
280	RC401-69090	O RING	1				0	0
290	RC401-69120	O RING	1				0	0
300	RC401-69740	O RING	2				0.001	0.0022
310	RC401-69220	PLUG	1				0.025	0.055
320	RC401-69120	O RING	1				0	0
330	RC401-69750	BOLT HEX-SOC-HD	5				0.036	0.0792
340	RC401-69190	PLUG	4				0.015	0.033
350	RC401-69220	PLUG	1				0.025	0.055
360	RC401-69230	WASHER SPRING	5				0.003	0.0066
370	RC401-69240	PIN SPRING	1				0.012	0.0264
380	RC401-69250	PIN SPRING	1				0.003	0.0066
390	RC401-69280	SCREW SET HEX-SOC-HD	1				0.011	0.0242
400	RC401-69290	NUT LOCK	1				0.005	0.011
410	RC401-69310	WASHER SEAL	1				0.001	0.0022
420	RC401-69860	ASSY PUMP GEAR	1				3.8	8.36
430	RC401-69760	COUPLING	1				0.055	0.121
440	RC401-69770	COLLAR	1				0.008	0.0176
450	RC401-69780	BOLT HEXAGON	2				0.014	0.0308
460	RC401-69390	O RING	1				0	0
470	RC401-69790	WASHER	2				0.004	0.0088
480	RC401-69810	O RING	1				0.002	0.0044
490	RC401-69140	O RING	1				0	0
500	RC401-69600	ASSY PISTON	1				0.051	0.1122
510	RC401-69500	KIT BARREL CYLINDER	1				2.25	4.95
520	RC401-69700	KIT SEAL	1				0.065	0.143
530	01133-61230	BOLT	2				0.04	0.088



HYDRAURIC PUMP AND COMPONENT PARTS



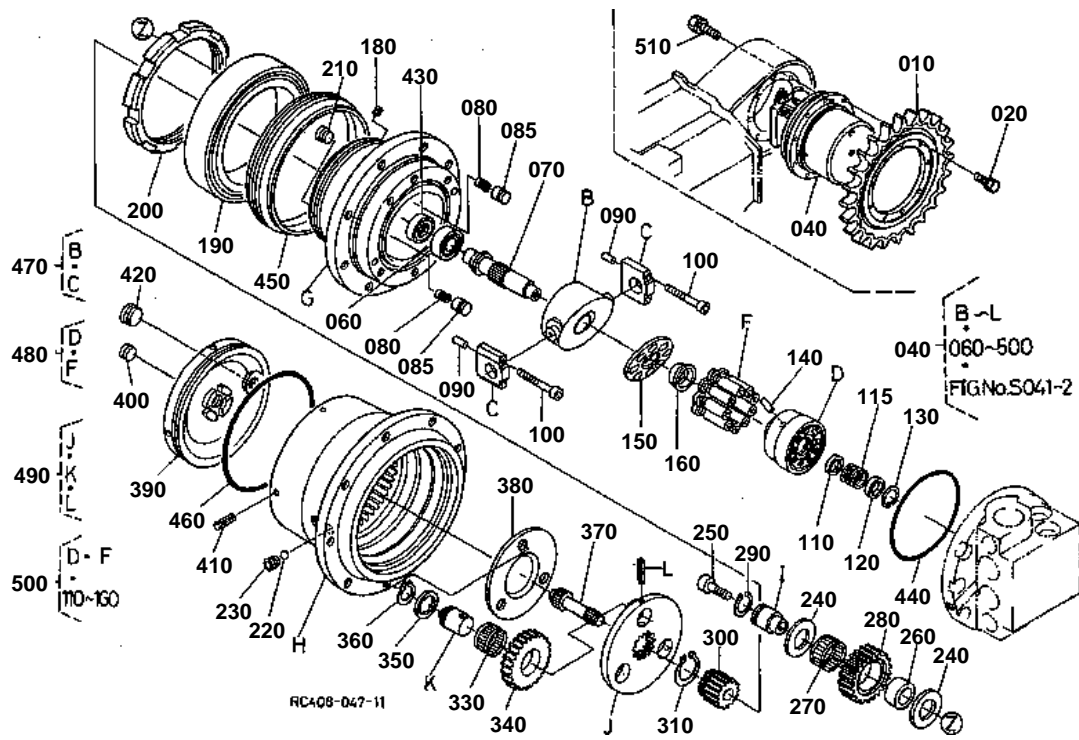


**HYDRAURIC PUMP AND COMPONENT PARTS**  
S.NO.A:<=DEC.98

↔ Interchangeable; ≠ not interchangeable; ← new for old; → old for new

REF.No	Part No.	Description	Q'ty	S.No.	I/C	REMARKS	Weight (kgf)	Weight (lb)
010	69251-42620	HOLDER PUMP	1				0.47	1.034
020	04811-10460	O RING	1				0.002	0.0044
030	01311-10820	BOLT HEX-SOC-HD	1				0.012	0.0264
040	01311-10835	BOLT HEX-SOC-HD	1				0.02	0.044
050	04512-60080	WASHER SPRING	1				0.002	0.0044
060	02552-50080	NUT	1				0.005	0.011
070	68468-82172	JOINT	1				0.04	0.088
080	55411-35200	ASSY PUMP	1				0.89	1.958
090	04810-00220	O RING	2				0	0
100	04810-00050	O RING	1				0	0
110	04810-50500	O RING	1				0	0
120	31381-76190	SEAL OIL	1				0.007	0.0154
130	04611-00280	CIR CLIP INTERNAL	1				0.002	0.0044
140	01754-50825	BOLT FLANGE	2				0.01	0.022
150	04811-10380	O RING	1				0.001	0.0022
160	01153-50875	BOLT	2				0.028	0.0616
170	04512-60080	WASHER SPRING	2				0.002	0.0044

DRIVE MOTOR AND COMPONENT PARTS





DRIVE MOTOR AND COMPONENT PARTS

↔ Interchangeable; ≠ not interchangeable; ← new for old; → old for new

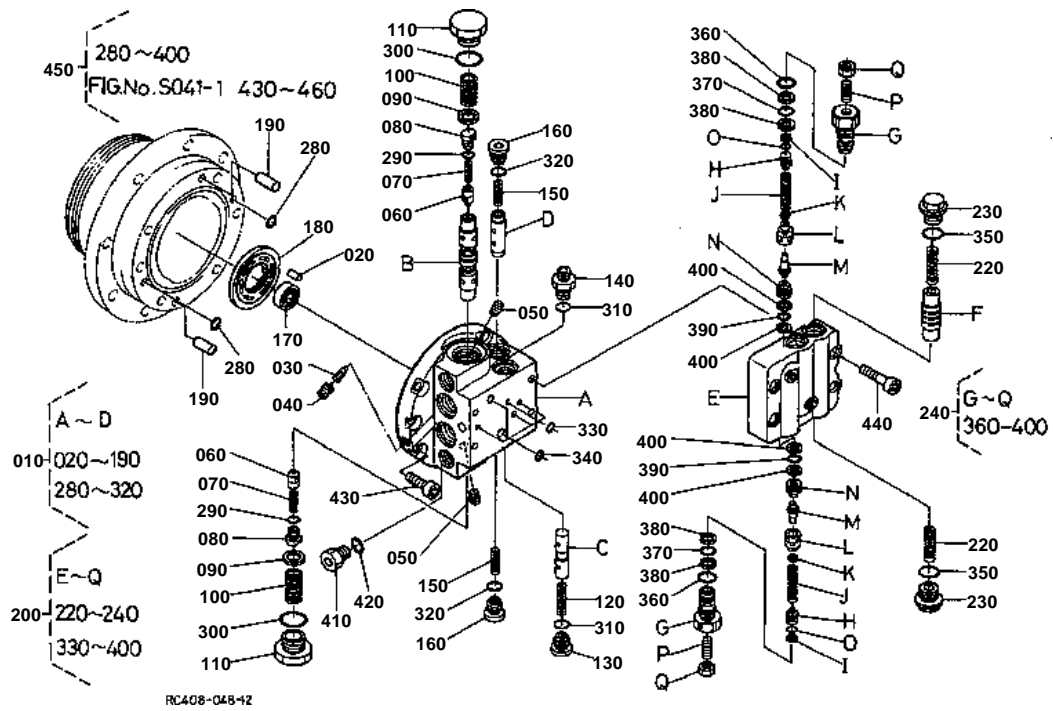
REF.No	Part No.	Description	Q'ty	S.No.	I/C	REMARKS	Weight (kgf)	Weight (lb)
010	68621-14430	SPROCKET DRIVE	2				10.08	22.176
020	01128-61235	BOLT	18				0.041	0.0902
030	99999-99999	BLANK	0				0	0
040	RC408-61602	ASSY MOTOR WHEEL	2	<=12439		ORDER BY RC501-21500 AND RC508-61802	0	0
040	RC508-61602	ASSY MOTOR WHEEL	2	>=12440	≠		0	0
040	RC508-61603	ASSY MOTOR WHEEL	2		←		0	0
040	RC508-61802	ASSY MOTOR WHEEL	2		←		47.24	103.928
050	99999-99999	BLANK	0				0	0
060	08103-06005	BEARING BALL	2				0.079	0.1738
070	RC401-73610	SHAFT	2	<=12348			0	0
070	RC401-73613	SHAFT	2	>=12349	←		0.34	0.748
080	RC401-73820	SPRING PISTON B	4				0.001	0.0022
085	RC401-73810	ASSY PISTON(B)	4				0.025	0.055
090	05012-00406	PIN STRAIGHT	8				0.001	0.0022
100	01311-10645	BOLT HEX-SOC-HD	8				0.01	0.022
110	RC401-73770	WASHER SPRING	2				0.01	0.022
115	RC401-73760	SPRING	2				0.03	0.066
120	RC401-73780	WASHER SPRING	2				0.013	0.0286
130	04611-00320	CIR CLIP INTERNAL	2				0.002	0.0044
140	RC401-73710	PIN	6				0.001	0.0022
150	RC401-73730	PLATE RETAINER	2				0.05	0.11
160	RC401-73720	HOLDER RETAINER	2				0.04	0.088
170	99999-99999	BLANK	0				0	0
180	68651-13630	PLUG	4				0.003	0.0066
190	68651-13330	BEARING	2				1.58	3.476
200	68311-13340	NUT RING	2				0.365	0.803
210	68311-13350	PLUG	4				0.01	0.022
220	07715-03205	BALL	264				0.001	0.0022
230	68311-13380	PLUG	4	<=12197			0.003	0.0066
230	68311-13380	PLUG	2	>=12198			0.003	0.0066
240	RC401-13430	PLATE THRUST B	16				0.019	0.0418
250	01311-10840	BOLT HEX-SOC-HD	8				0.02	0.044
260	68651-13420	COLLAR	8	<=12348			0.11	0.242
260	RC401-13420	COLLAR	8	>=12349	≠		0.11	0.242
270	68651-13410	BEARING ROLLER	8				0.05	0.11
280	68651-13390	GEAR	8				0.35	0.77
290	04612-00300	CIR CLIP EXTERNAL	8				0.003	0.0066
300	RC401-13460	GEAR	2				0.233	0.5126
310	04612-00350	CIR CLIP EXTERNAL	2				0.01	0.022
320	99999-99999	BLANK	0				0	0
330	68651-13510	BEARING ROLLER	6				0.025	0.055
340	RC401-13490	GEAR	6				0.335	0.737
350	RC401-13470	PLATE THRUST A	6				0.005	0.011
360	04612-00300	CIR CLIP EXTERNAL	6				0.003	0.0066
370	RC401-13540	GEAR DRIVE	2				0.185	0.407

**DRIVE MOTOR AND COMPONENT PARTS**

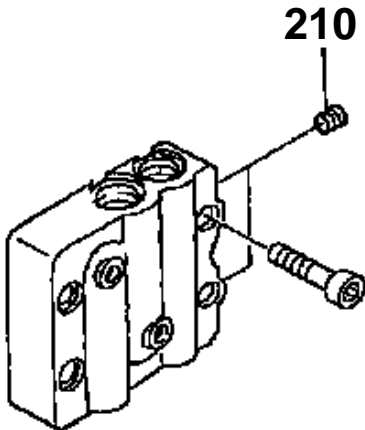
↔ Interchangeable; ≠ not interchangeable; ← new for old; → old for new

REF.No	Part No.	Description	Q'ty	S.No.	I/C	REMARKS	Weight (kgf)	Weight (lb)
380	RC401-13550	PLATE THRUST C	2	<=12439			0.155	0.341
380	RC501-13550	PLATE THRUST C	2	>=12440	≠		0.15	0.33
380	RC401-13560	PLATE THRUST C	2	<=12439			0.195	0.429
380	RC501-13560	PLATE THRUST C	2	>=12440	≠		0.195	0.429
380	RC401-13570	PLATE THRUST C	2	<=12439			0.255	0.561
380	RC501-13570	PLATE THRUST C	2	>=12440	≠		0.255	0.561
380	RC401-13590	PLATE THRUST C	2	<=12439			0.27	0.594
380	RC501-13590	PLATE THRUST C	2	>=12440	≠		0.265	0.583
390	RC101-13580	COVER	2				2.2	4.84
400	68311-13620	PLUG	2				0.02	0.044
410	05411-00414	PIN SPRING	8				0.001	0.0022
420	68551-11150	PLUG	2				0.025	0.055
430	RC401-73630	SEAL OIL	2	<=12439			0	0
430	RC401-73632	SEAL OIL	2	>=12440	←		0.012	0.0264
440	04811-51250	O RING	2				0.004	0.0088
450	RC101-13320	SEAL	2				0.465	1.023
460	68311-13590	O RING	2				0.01	0.022
470	RC401-73950	ASSY SWASH PLATE	2				0.1	0.22
480	RC401-73940	ASSY BLOCK CYLINDER	2				1.44	3.168
490	RC401-13940	ASSY HOLDER	2				1.5	3.3
500	RC401-73930	ASSY CYLINDER	2				1.57	3.454
510	01128-61230	BOLT	18				0.38	0.836

DRIVE MOTOR AND COMPONENT PARTS



210 68311-1338-0



RC108-804-10



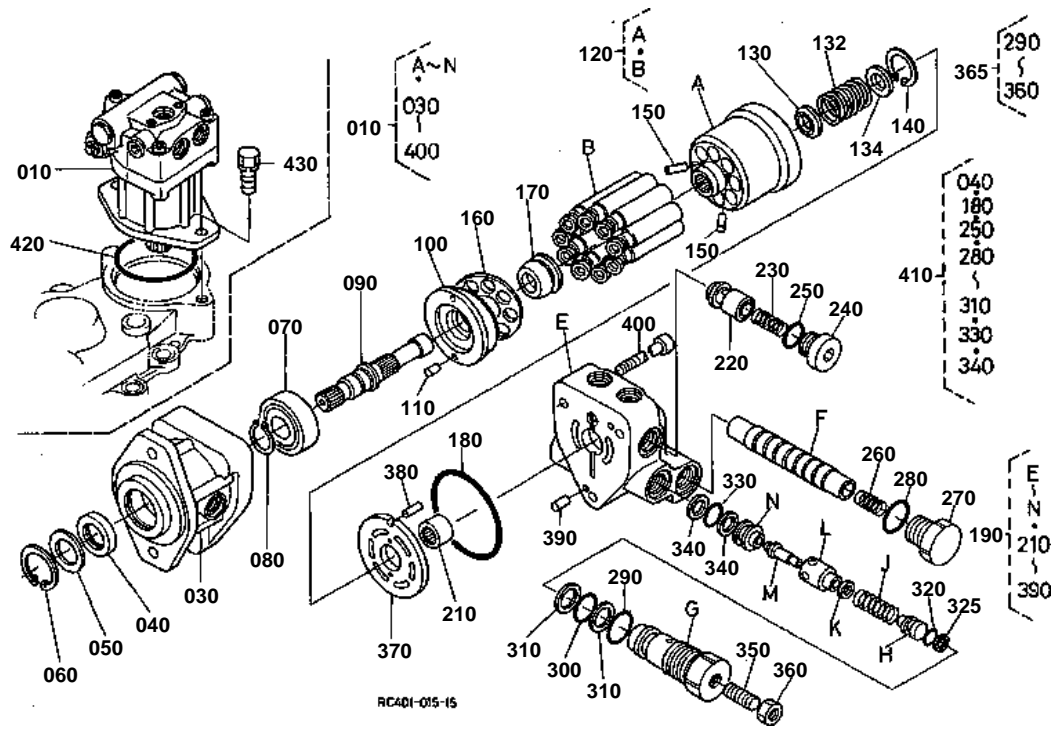
DRIVE MOTOR AND COMPONENT PARTS

↔ Interchangeable; ≠ not interchangeable; ← new for old; → old for new

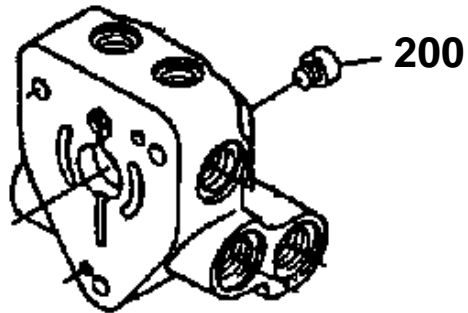
REF.No	Part No.	Description	Q'ty	S.No.	I/C	REMARKS	Weight (kgf)	Weight (lb)
010	RC401-72504	ASSY VALVE	2				0	0
020	05012-00410	PIN STRAIGHT	2				0.001	0.0022
030	RC101-72670	ORIFICE	4				0.001	0.0022
040	68651-13630	PLUG	6				0.003	0.0066
050	RC401-72680	ORIFICE	4				0.001	0.0022
060	RC101-72540	POPPET	4				0.01	0.022
070	RC101-72550	SPRING	4				0.001	0.0022
080	RC101-72560	PLUG	4				0.018	0.0396
090	RC101-72570	WASHER SPRING	4				0.003	0.0066
100	RC101-72580	SPRING	4				0.013	0.0286
110	RP811-61480	PLUG	4				0.138	0.3036
120	RC101-72620	SPRING	2	<=11191			0	0
120	RC101-72623	SPRING	2	>=11192	←		0.006	0.0132
130	RC101-72630	PLUG	2				0.03	0.066
140	68531-68750	ADAPTER	2				0.055	0.121
150	RC101-72660	SPRING	4				0.002	0.0044
160	RC101-72630	PLUG	4				0.03	0.066
170	08103-06202	BEARING BALL	2				0.05	0.11
180	RC401-73750	PLATE VALVE	2				0.15	0.33
190	05012-00614	PIN STRAIGHT	4				0.004	0.0088
200	RC401-72700	ASSY VALVE	2				0.3	0.66
210	68311-13380	PLUG	8	<=12132			0.003	0.0066
210	68311-13380	PLUG	4	>=12133			0.003	0.0066
210	68311-13380	PLUG	4	<=12197			0.003	0.0066
220	RC101-72740	SPRING	4				0.008	0.0176
230	RC101-72750	PLUG	4				0.06	0.132
240	RC401-72800	ASSY VALVE RELIEF	4				0.15	0.33
250	99999-99999	BLANK	0				0	0
260	99999-99999	BLANK	0				0	0
270	99999-99999	BLANK	0				0	0
280	04810-00070	O RING	4				0	0
290	04810-00100	O RING	4				0	0
300	04810-00290	O RING	4				0	0
310	04810-00140	O RING	4				0	0
320	04810-00140	O RING	4				0	0
330	04810-00070	O RING	8				0	0
340	04810-00140	O RING	4				0	0
350	04810-00180	O RING	8				0	0
360	04810-00180	O RING	4				0	0
370	04810-00140	O RING	4				0	0
380	34076-66250	RING BACK UP	8				0.005	0.011
390	04810-00120	O RING	4				0	0
400	68551-61420	RING BACK UP	8				0.001	0.0022
410	68811-17430	PLUG	2				0.04	0.088
420	04810-00110	O RING	2				0	0
430	01315-11030	BOLT HEX-SOC-HD	12				0.025	0.055
440	01311-10840	BOLT HEX-SOC-HD	8				0.02	0.044
450	RC401-73920	KIT SEAL	2				0.5	1.1



# SWIVEL MOTOR AND COMPONENT PARTS



200 68311-1338-0



RC408-803-10

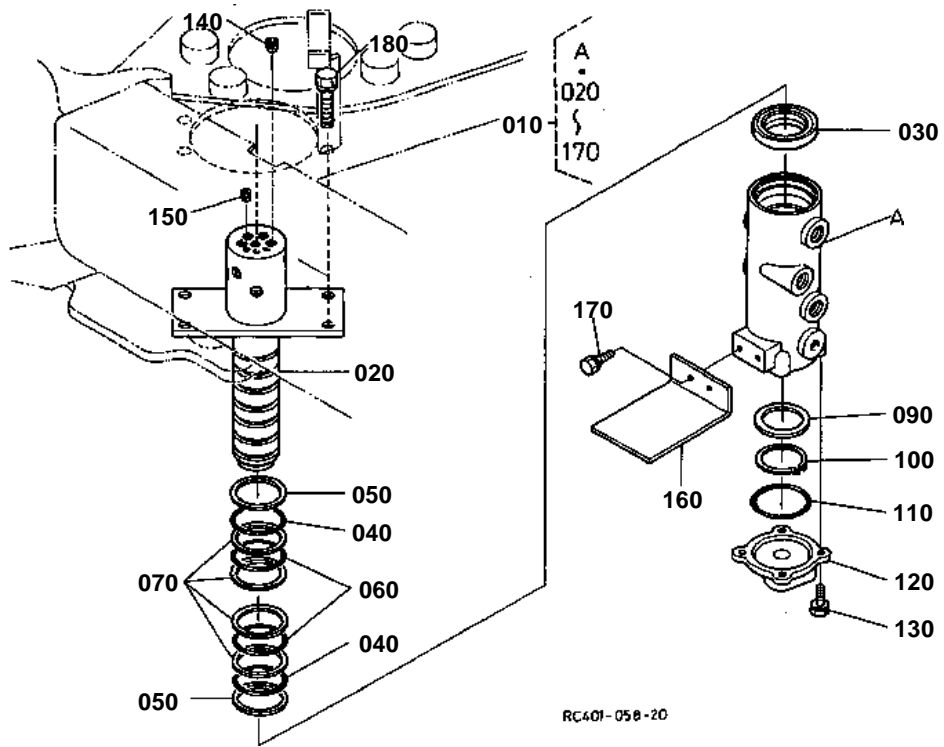


## SWIVEL MOTOR AND COMPONENT PARTS

↔ Interchangeable; ≠ not interchangeable; ← new for old; → old for new

REF.No	Part No.	Description	Q'ty	S.No.	I/C	REMARKS	Weight (kgf)	Weight (lb)
010	RC301-61702	ASSY MOTOR SWIVEL	1				0	0
010	RC301-61702	ASSY MOTOR SWIVEL	1		←		0	0
020	99999-99999	BLANK	0				0	0
030	RC301-73310	HOUSING SWING	1				3.54	7.788
040	RC301-73330	SEAL OIL	1				0.011	0.0242
050	RC301-73350	PLATE	1				0.008	0.0176
060	04611-00450	CIR CLIP INTERNAL	1				0.01	0.022
070	08101-06205	BEARING BALL	1				0.14	0.308
080	04612-00250	CIR CLIP EXTERNAL	1				0.002	0.0044
090	RC301-73320	SHAFT	1				0.43	0.946
100	RC301-73340	SWASH PLATE	1				0.57	1.254
110	05012-00612	PIN STRAIGHT	1				0.003	0.0066
120	RC301-73490	ASSY BLOCK CYLINDER	1				1.05	2.31
130	RC101-73770	WASHER SPRING	1				0.009	0.0198
132	66415-39250	SPRING	1				0.005	0.011
134	66415-39240	HOLDER SPRING	1				0.004	0.0088
140	04611-00280	CIR CLIP INTERNAL	1	≤12197			0.002	0.0044
140	04611-00280	CIR CLIP INTERNAL	1	≥12198	↔		0.002	0.0044
150	RC101-73710	PIN	3				0.003	0.0066
160	RC101-73730	PLATE RETAINER	1				0.04	0.088
170	RC101-73720	HOLDER RETAINER	1				0.022	0.0484
180	04811-10950	O RING	1				0.002	0.0044
190	RC301-72203	ASSY VALVE SWIVEL	1				5.3	11.66
200	68311-13380	PLUG	2	≤12132			0.003	0.0066
210	08812-02715	BEARING NEEDLE	1				0.02	0.044
220	RC301-72244	POPPET	2				0.001	0.0022
230	RC301-72280	SPRING	2				0.001	0.0022
240	RC101-72630	PLUG	2				0.03	0.066
250	04810-00140	O RING	2				0	0
260	RC301-72280	SPRING	2				0.001	0.0022
270	RC301-72290	PLUG	2				0.06	0.132
280	04810-00180	O RING	2				0	0
290	04810-00180	O RING	2				0	0
300	04810-00140	O RING	2				0	0
310	34076-66250	RING BACK UP	4				0.005	0.011
320	04810-00060	O RING	2				0	0
325	RC101-72840	RING BACK UP	2				0.001	0.0022
330	04810-00120	O RING	2				0	0
340	68551-61420	RING BACK UP	4				0.001	0.0022
350	03650-60816	SCREW SET	2				0.004	0.0088
360	02052-60080	NUT	2				0.004	0.0088
365	RC301-72300	ASSY VALVE RELIEF	2				0.15	0.33
370	RC301-73450	PLATE VALVE	1				0.12	0.264
380	05012-00410	PIN STRAIGHT	1				0.001	0.0022
390	05012-00612	PIN STRAIGHT	2				0.003	0.0066
400	01311-11055	BOLT HEX-SOC-HD	3				0.005	0.011
410	RC301-73920	KIT SEAL	1				0.035	0.077
420	04811-11000	O RING	1				0.002	0.0044
430	01138-61435	BOLT	2	≤12550			0.063	0.1386
430	01138-51435	BOLT	2	≥12551	↔		0.063	0.1386

ROTARY JOINT



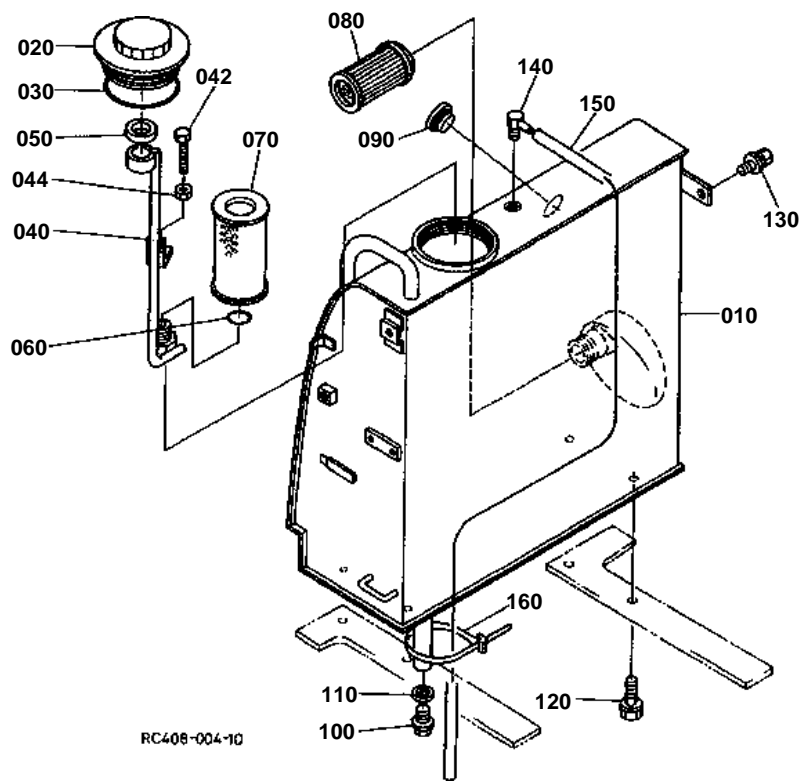


# ROTARY JOINT

↔ Interchangeable; ≠ not interchangeable; ← new for old; → old for new

REF.No	Part No.	Description	Q'ty	S.No.	I/C	REMARKS	Weight (kgf)	Weight (lb)
010	RC101-62303	ASSY JOINT SWIVEL	1	<=12176			11.8	25.96
010	RC101-62303	ASSY JOINT SWIVEL	1	>=12177	←		11.8	25.96
020	RC101-62320	SHAFT SWIVEL JOINT	1				6.44	14.168
030	68311-62410	GASKET U	1				0.01	0.022
040	04810-00500	O RING	2				0	0
050	68171-62370	RING BACK UP	2	<=12275			0	0
050	RA111-62310	RING BACK UP	2	>=12276	←		0.001	0.0022
060	68741-62380	D RING	6				0.003	0.0066
070	68741-62390	RING BACK UP	12				0.013	0.0286
080	99999-99999	BLANK	0				0	0
090	68741-62350	COLLAR	1				0.032	0.0704
100	04612-00450	CIR CLIP EXTERNAL	1				0.007	0.0154
110	04811-10670	O RING	1				0.001	0.0022
120	68741-62333	COVER	1				0.45	0.99
130	01123-60816	BOLT	4				0.01	0.022
140	68311-13350	PLUG	4				0.01	0.022
150	68311-13380	PLUG	2				0.003	0.0066
160	68311-62350	STOPPER	1				0.74	1.628
170	01123-60820	BOLT	2				0.015	0.033
180	01133-61030	BOLT	4				0.023	0.0506

# OIL TANK

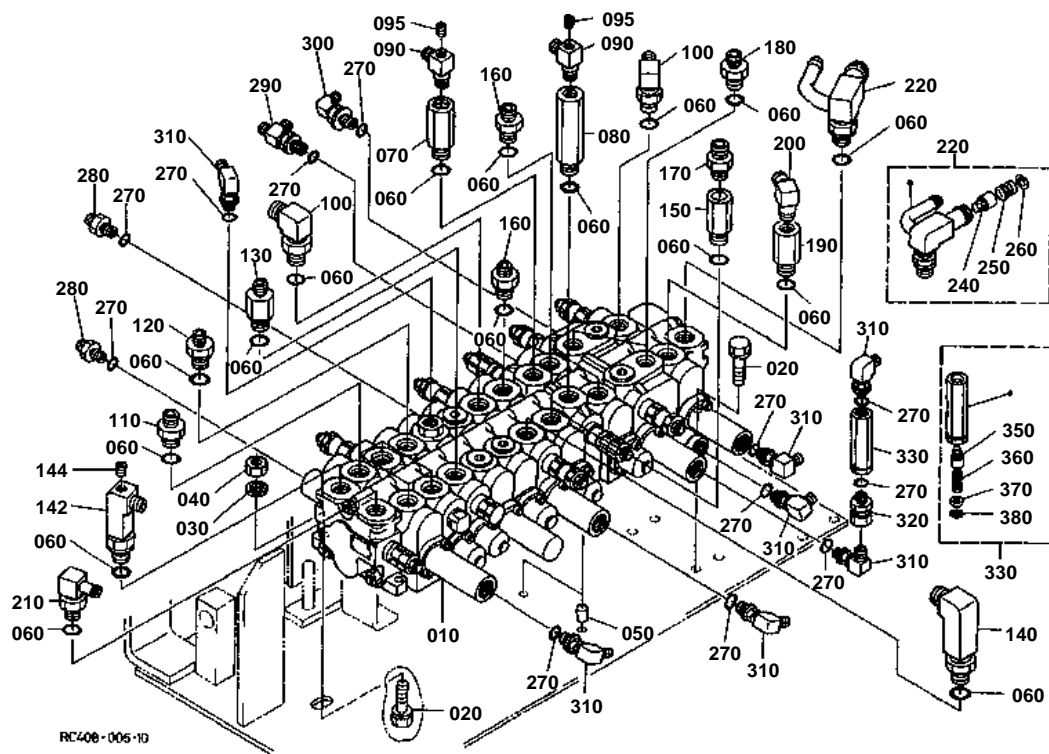


**OIL TANK**

↔ Interchangeable; ≠ not interchangeable; ← new for old; → old for new

REF.No	Part No.	Description	Q'ty	S.No.	I/C	REMARKS	Weight (kgf)	Weight (lb)
010	RC408-62120	HYDRAULIC TANK	1	<=12148			20	44
010	RC408-62123	HYDRAULIC TANK	1	>=12149	←		43	94.6
010	RC408-62125	HYDRAULIC TANK	1		≠	>=JAN.99	45	99
020	RC101-62134	PLUG	1				0.229	0.5038
030	04811-11300	O RING	1				0.001	0.0022
040	RC301-62160	SUPPORT FILTER	1				0.9	1.98
042	01155-60850	BOLT	1				0.02	0.044
044	02114-60080	NUT	1				0.002	0.0044
050	RC101-62230	GASKET	1				0.01	0.022
060	04811-00260	O RING	1				0	0
070	RD108-62140	FILTER RETURN	1				0.52	1.144
080	69284-62210	FILTER SUCTION	1				0.6	1.32
090	68311-62130	GAUGE OIL	1				0.05	0.11
100	06311-55040	PLUG	1	<=12148			0.093	0.2046
100	06331-35016	PLUG	1	>=12149	≠		0.04	0.088
110	04717-02150	WASHER WITH RUBBER	1	<=12148			0.004	0.0088
110	04717-01610	WASHER WITH RUBBER	1	>=12149	≠		0.022	0.0484
120	01133-61235	BOLT	4				0.043	0.0946
130	01135-61020	BOLT	1				0.015	0.033
140	RC101-62250	BREATHER	1				0.05	0.11
150	68671-62190	PIPE BREATHER	1				0.04	0.088
160	55311-41260	BAND CORD	1				0.007	0.0154

# CONTROL VALVE



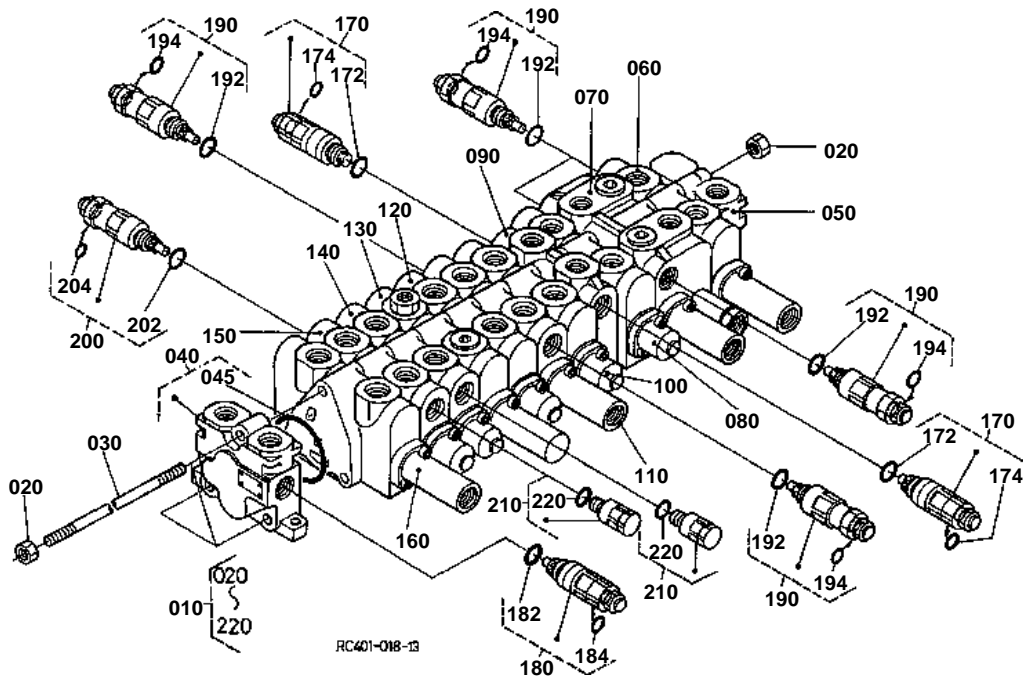


**CONTROL VALVE**

↔ Interchangeable; ≠ not interchangeable; ← new for old; → old for new

REF.No	Part No.	Description	Q'ty	S.No.	I/C	REMARKS	Weight (kgf)	Weight (lb)
010	RC401-61133	ASSY VALVE CONTROL	1				44.7	98.34
020	01133-61030	BOLT	3				0.023	0.0506
030	04512-60100	WASHER SPRING	1				0.002	0.0044
040	02118-60100	NUT	1				0.006	0.0132
050	05012-01016	PIN STRAIGHT	2				0.01	0.022
060	04810-00180	O RING	21				0	0
070	RC101-64010	JOINT PIPE(F-T)	1				0.16	0.352
080	RC101-64020	JOINT PIPE(F-T)	1				0.327	0.7194
090	RD101-63860	PIPE JOINT ELBOW	2				0.13	0.286
095	68311-13380	PLUG	2				0.003	0.0066
100	69251-61850	JOINT PIPE(LF-/F/)	2				0.15	0.33
110	68741-68390	BODY	4	<=12499			0.085	0.187
110	R1401-68330	JOINT PIPE	4	>=12500	↔		0	0
120	68541-68750	ADAPTER	1				0.08	0.176
130	RC401-63880	JOINT PIPE(F-F)	1				0.14	0.308
140	68311-61810	JOINT PIPE(LF-/F/)	1				0.29	0.638
142	RC408-61810	JOINT	1				0.27	0.594
144	68311-13380	PLUG	1				0.003	0.0066
150	69254-61920	JOINT PIPE(SF-/T/)	1				0.15	0.33
160	68741-68430	BODY	3	<=12499			0.1	0.22
160	R1401-68410	JOINT PIPE	3	>=12500	↔		0.03	0.066
170	68741-68440	BODY	1	<=12499			0.08	0.176
170	R1401-68420	JOINT PIPE	1	>=12500	↔		0	0
180	68271-63420	ADAPTER	2				0.075	0.165
190	RC101-64030	JOINT PIPE(F-T)	1				0.15	0.33
200	36330-63040	JOINT CYLINDER	1	<=12439			0	0
200	06114-53032	JOINT	1	>=12440	↔		0.09	0.198
210	68391-68220	JOINT PIPE(LF-/)	1				0.18	0.396
220	RC101-63313	ASSY VALVE CHECK	1				0.36	0.792
230	99999-99999	BLANK	0				0	0
240	RC101-63390	POPPET	1				0.035	0.077
250	RC101-63710	SPRING	1				0.005	0.011
260	04611-00200	CIR CLIP INTERNAL	1				0.001	0.0022
270	04810-00110	O RING	14				0	0
280	68728-76150	ADAPTER	2				0.02	0.044
290	RC101-63830	T JOINT PIPE(F)	1				0.068	0.1496
300	68591-63230	ELBOW	1				0.085	0.187
310	RB101-63870	JOINT	7	<=12023			0.06	0.132
310	RC601-63720	JOINT	7	>=12024	↔		0.06	0.132
320	RC101-63890	JOINT PIPE(F)	1				0.05	0.11
330	RC101-63910	ASSY VALVE CHECK	1				0.15	0.33
340	99999-99999	BLANK	0				0	0
350	68301-96460	POPPET	1				0.01	0.022
360	90715-12130	SPRING	1				0.002	0.0044
370	90715-12140	RETAINER SPRING	1				0.004	0.0088
380	04611-00110	CIR CLIP INTERNAL	1				0.001	0.0022

CONTROL VALVE [COMPONENT PARTS]



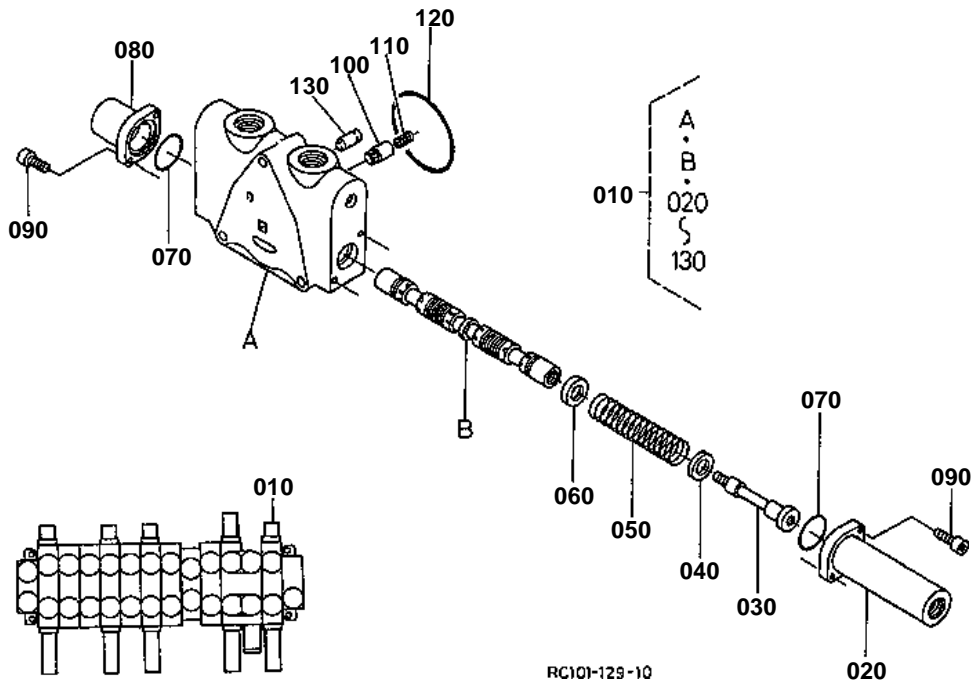


## CONTROL VALVE [COMPONENT PARTS]

↔ Interchangeable; ≠ not interchangeable; ← new for old; → old for new

REF.No	Part No.	Description	Q'ty	S.No.	I/C	REMARKS	Weight (kgf)	Weight (lb)
010	RC401-61133	ASSY VALVE CONTROL	1				44.7	98.34
020	68021-81380	NUT	6				0.01	0.022
030	RC401-70160	ROD TIE	3				0.32	0.704
040	RC101-70010	ASSY VALVE INLET	1				2	4.4
045	RC101-70320	RING	1				0	0
050	RC101-70150	ASSY VALVE OUTLET	1				1.93	4.246
060	RC401-70020	ASSY VALVE BUCKET	1				3.5	7.7
070	RC401-70240	ASSY VALVE BOOM	1				7.5	16.5
080	RC401-70040	ASSY VALVE DRIVE RH	1				3	6.6
090	RC101-70050	ASSY VALVE SPACER	1				2.7	5.94
100	RC401-70060	ASSY VALVE DRIVE LH	1				3	6.6
110	RC401-70080	ASSY VALVE ARM	1				3.2	7.04
120	RC101-70100	ASSY VALVE S/P	1				2.94	6.468
130	RC101-70110	ASSY VALVE TRAVEL ST	1				3.582	7.8804
140	RC101-70120	ASSY VALVE SWING	1				3	6.6
150	RC401-70130	ASSY VALVE BLADE	1				3	6.6
160	RC301-70140	ASSY VALVE SWIVEL	1				3.4	7.48
170	RC401-70260	ASSY VALVE RELIEF	2				0.229	0.5038
172	68741-70560	O RING	2				0.001	0.0022
174	04810-00100	O RING	2				0	0
180	RC301-70270	ASSY VALVE RELIEF	1				0.229	0.5038
182	68741-70560	O RING	1				0.001	0.0022
184	04810-00100	O RING	1				0	0
190	RC501-70180	ASSY VALVE RELIEF	5				0.22	0.484
192	68741-70560	O RING	5				0.001	0.0022
194	04810-00100	O RING	5				0	0
200	RD108-70060	ASSY VALVE RELIEF	1				0.21	0.462
202	68741-70560	O RING	1				0.001	0.0022
204	04810-00100	O RING	1				0	0
210	68311-70210	ASSY VALVE	2				0.155	0.341
220	68741-70560	O RING	2				0.001	0.0022

SPOOL SECTION (BUCKET)



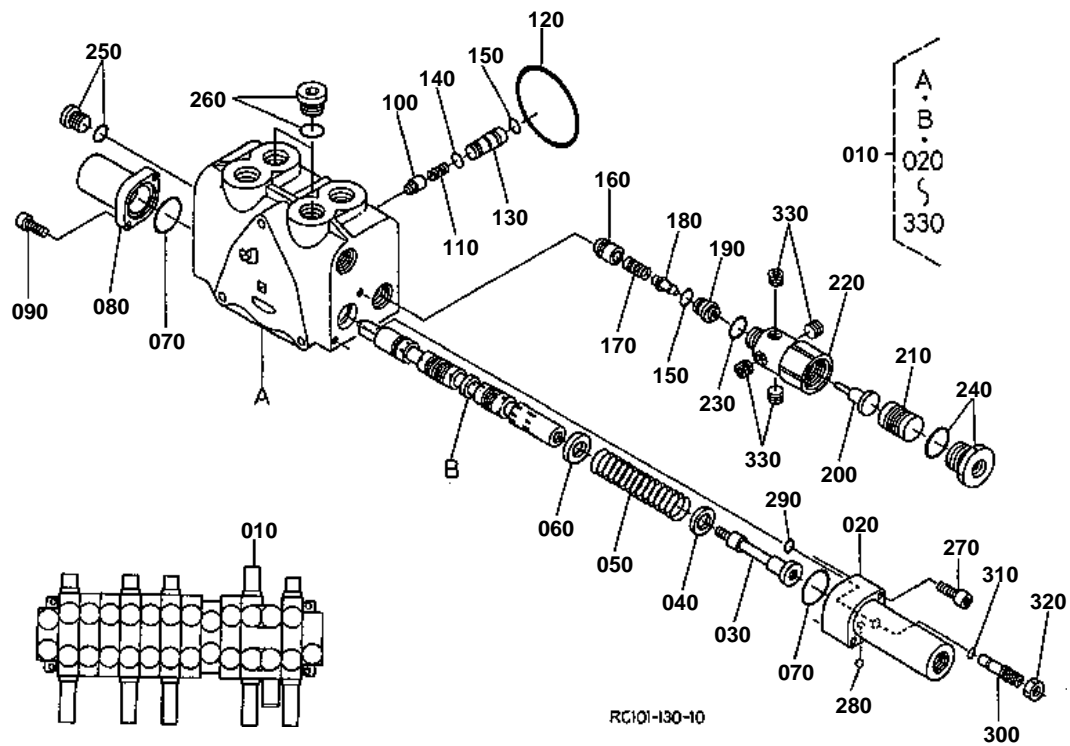


## SPOOL SECTION (BUCKET)

↔ Interchangeable; ≠ not interchangeable; ← new for old; → old for new

REF.No	Part No.	Description	Q'ty	S.No.	I/C	REMARKS	Weight (kgf)	Weight (lb)
010	RC401-70020	ASSY VALVE BUCKET	1				3.5	7.7
020	RC101-70410	CAP	1				0.25	0.55
030	RC101-70470	END SPOOL	1	<=11737			0.046	0.1012
030	RP402-71230	END SPOOL	1	>=11738	≠		0.036	0.0792
040	68311-70930	PLATE SPRING	1				0.006	0.0132
050	RC101-70480	SPRING	1				0.02	0.044
060	RC101-70550	SEAT SPRING	1				0.016	0.0352
070	69251-74180	O RING	2				0.005	0.011
080	RC101-70440	CAP	1				0.15	0.33
090	69251-74070	BOLT SOCKET HEAD	4				0.01	0.022
100	68493-70310	POPPET	1				0.01	0.022
110	68493-70320	SPRING	1				0.002	0.0044
120	RC101-70320	RING	1				0	0
130	RC401-70350	POPPET	1				0.005	0.011

# SPOOL SECTION (BOOM)

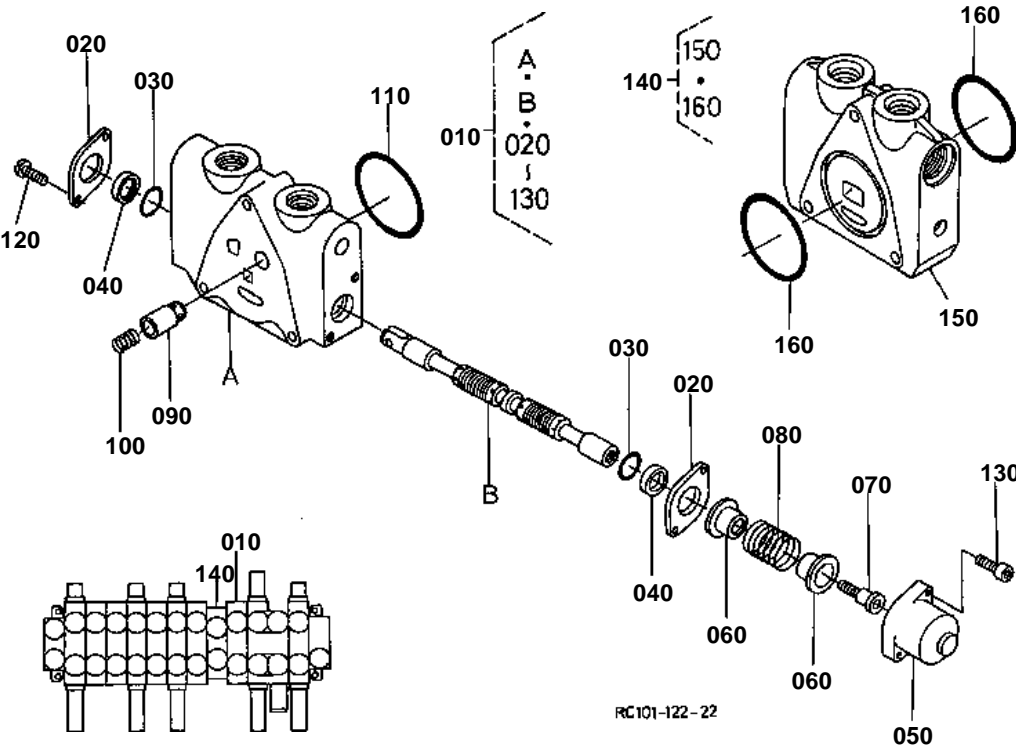


**SPOOL SECTION (BOOM)**

↔ Interchangeable; ≠ not interchangeable; ← new for old; → old for new

REF.No	Part No.	Description	Q'ty	S.No.	I/C	REMARKS	Weight (kgf)	Weight (lb)
010	RC401-70240	ASSY VALVE BOOM	1				7.5	16.5
020	RC401-70410	CAP	1				0.4	0.88
030	RC101-70470	END SPOOL	1	≤11737			0.046	0.1012
030	RP402-71230	END SPOOL	1	≥11738	≠		0.036	0.0792
040	68311-70930	PLATE SPRING	1				0.006	0.0132
050	RC101-70480	SPRING	1				0.02	0.044
060	RC101-70560	SEAT SPRING	1				0.014	0.0308
070	69251-74180	O RING	2				0.005	0.011
080	RC101-70450	CAP	1				0.25	0.55
090	69251-74070	BOLT SOCKET HEAD	2				0.01	0.022
100	RC101-70380	POPPET CHECK VALVE	1				0.007	0.0154
110	68493-70320	SPRING	1				0.002	0.0044
120	RC101-70320	RING	1				0	0
130	RC101-70590	SPACER	1				0.02	0.044
140	RC101-70660	RING	1				0.001	0.0022
150	RC101-70670	RING	2				0.001	0.0022
160	RC101-70360	POPPET	1				0.012	0.0264
170	RC101-70530	SPRING	1				0.003	0.0066
180	RC101-70350	POPPET	1				0.004	0.0088
190	RC101-70620	SLEEVE	1				0.014	0.0308
200	RC101-70630	PISTON	1				0.001	0.0022
210	RC101-70640	PISTON	1				0.06	0.132
220	RC101-70650	PLUG	1				0.219	0.4818
230	RC101-70680	RING	1				0.001	0.0022
240	RC101-70610	ASSY PLUG	1				0.001	0.0022
250	68151-70510	ASSY PLUG	1				0.03	0.066
260	RP402-70620	ASSY PLUG	2				0.09	0.198
270	RC401-70450	BOLT SOCKET HEAD	2				0.01	0.022
280	RC401-70490	BALL	1				0.001	0.0022
290	RC401-70660	O RING	1				0.001	0.0022
300	RC401-70650	PLUG	1				0.009	0.0198
310	04811-00030	O RING	1				0	0
320	68021-81370	NUT	1				0.005	0.011
330	68311-13380	PLUG	4				0.003	0.0066

SPOOL SECTION (TRAVEL RH)





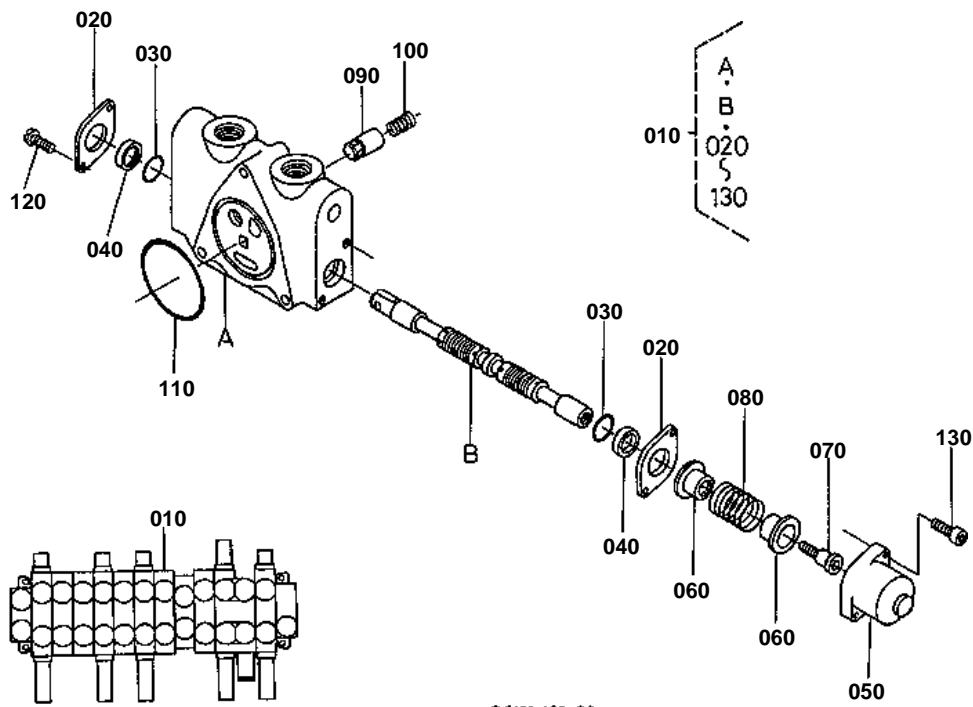


## SPOOL SECTION (TRAVEL RH)

↔ Interchangeable; ≠ not interchangeable; ← new for old; → old for new

REF.No	Part No.	Description	Q'ty	S.No.	I/C	REMARKS	Weight (kgf)	Weight (lb)
010	RC401-70040	ASSY VALVE DRIVE RH	1				3	6.6
020	68493-70230	PLATE SEAL	2				0.02	0.044
030	68493-70240	O RING	2				0.001	0.0022
040	68493-70250	WIPER	2				0.002	0.0044
050	68493-70260	CAP	1				0.025	0.055
060	68493-70270	SEAT SPRING	2				0.005	0.011
070	68493-70280	SCREW CAP	1				0.015	0.033
080	68861-70520	SPRING	1				0.01	0.022
090	RC101-70370	POPPET CHECK VALVE	1				0.021	0.0462
100	68493-70320	SPRING	1				0.002	0.0044
110	RC101-70320	RING	1				0	0
120	69251-74060	SCREW ROUND HEAD	2				0.01	0.022
130	69251-74070	BOLT SOCKET HEAD	2				0.01	0.022
140	RC101-70050	ASSY VALVE SPACER	1				2.7	5.94
150	RC101-70340	SPACER	1				2.6	5.72
160	RC101-70320	RING	2				0	0

SPOOL SECTION (TRAVEL LH)



RC101-123-20

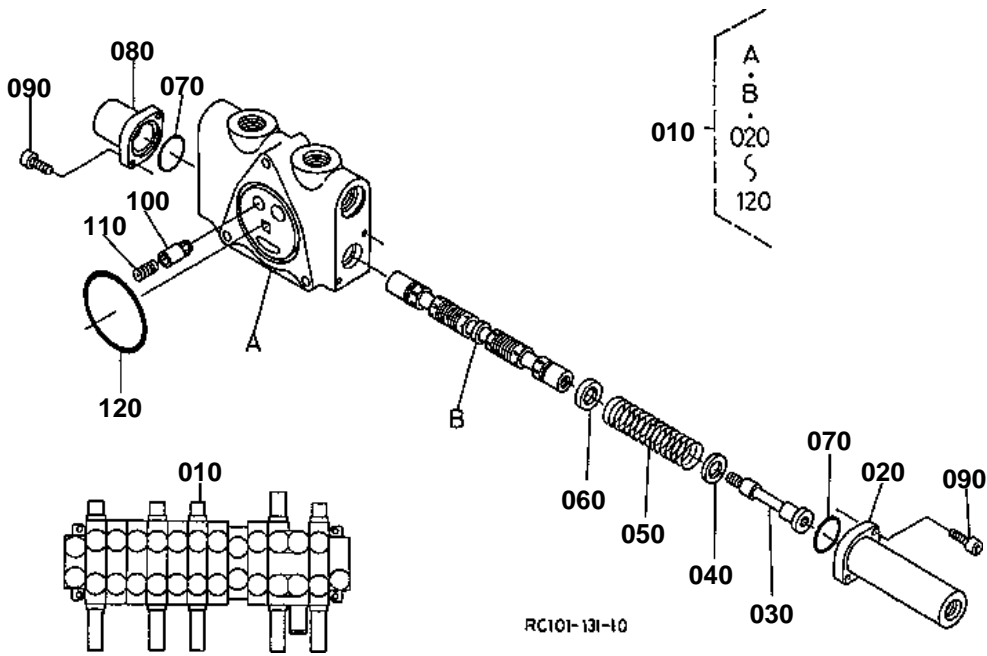


## SPOOL SECTION (TRAVEL LH)

↔ Interchangeable; ≠ not interchangeable; ← new for old; → old for new

REF.No	Part No.	Description	Q'ty	S.No.	I/C	REMARKS	Weight (kgf)	Weight (lb)
010	RC401-70060	ASSY VALVE DRIVE LH	1				3	6.6
020	68493-70230	PLATE SEAL	2				0.02	0.044
030	68493-70240	O RING	2				0.001	0.0022
040	68493-70250	WIPER	2				0.002	0.0044
050	68493-70260	CAP	1				0.025	0.055
060	68493-70270	SEAT SPRING	2				0.005	0.011
070	68493-70280	SCREW CAP	1				0.015	0.033
080	68861-70520	SPRING	1				0.01	0.022
090	RC101-70370	POPPET CHECK VALVE	1				0.021	0.0462
100	68493-70320	SPRING	1				0.002	0.0044
110	RC101-70320	RING	1				0	0
120	69251-74060	SCREW ROUND HEAD	2				0.01	0.022
130	69251-74070	BOLT SOCKET HEAD	2				0.01	0.022

SPOOL SECTION (ARM)



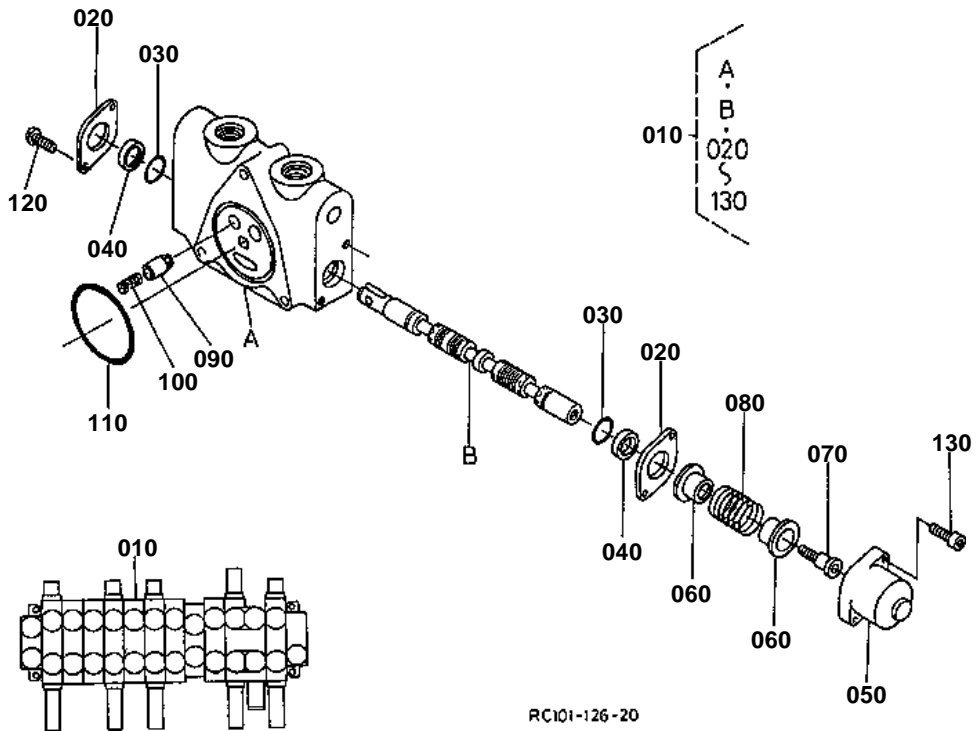


## SPOOL SECTION (ARM)

↔ Interchangeable; ≠ not interchangeable; ← new for old; → old for new

REF.No	Part No.	Description	Q'ty	S.No.	I/C	REMARKS	Weight (kgf)	Weight (lb)
010	RC401-70080	ASSY VALVE ARM	1				3.2	7.04
020	RC101-70410	CAP	1				0.25	0.55
030	RC101-70470	END SPOOL	1	<=11737			0.046	0.1012
030	RP402-71230	END SPOOL	1	>=11738	≠		0.036	0.0792
040	68311-70930	PLATE SPRING	1				0.006	0.0132
050	RC101-70480	SPRING	1				0.02	0.044
060	RC101-70550	SEAT SPRING	1				0.016	0.0352
070	69251-74180	O RING	2				0.005	0.011
080	RC101-70440	CAP	1				0.15	0.33
090	69251-74070	BOLT SOCKET HEAD	4				0.01	0.022
100	68493-70310	POPPET	1				0.01	0.022
110	68493-70320	SPRING	1				0.002	0.0044
120	RC101-70320	RING	1				0	0

SPOOL SECTION (S/P)



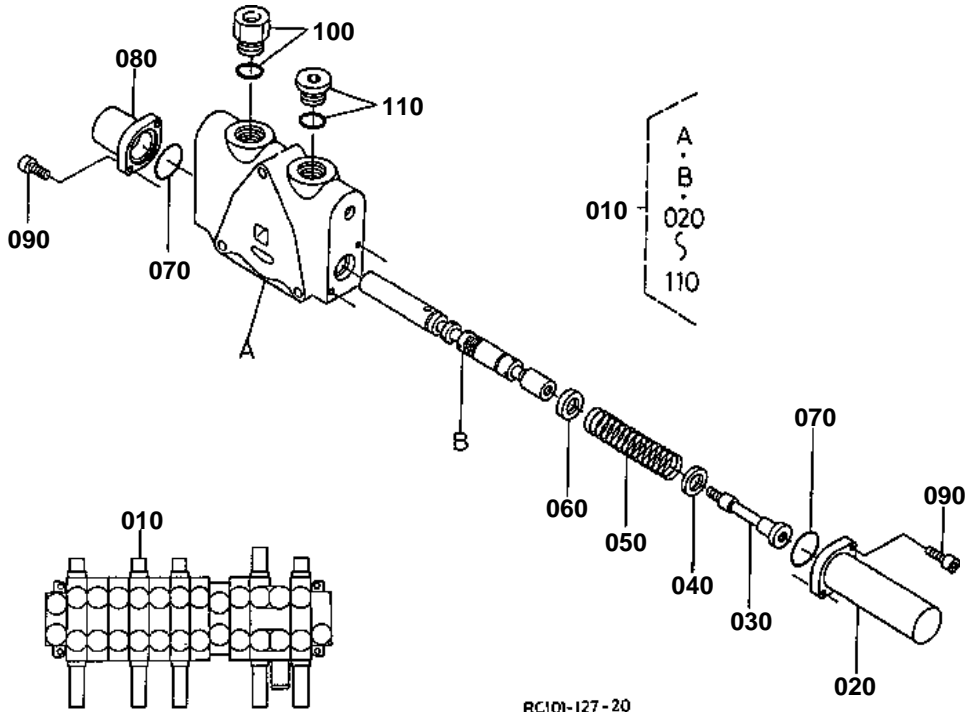


## SPOOL SECTION (S/P)

↔ Interchangeable; ≠ not interchangeable; ← new for old; → old for new

REF.No	Part No.	Description	Q'ty	S.No.	I/C	REMARKS	Weight (kgf)	Weight (lb)
010	RC101-70100	ASSY VALVE S/P	1				2.94	6.468
020	68493-70230	PLATE SEAL	2				0.02	0.044
030	68493-70240	O RING	2				0.001	0.0022
040	68493-70250	WIPER	2				0.002	0.0044
050	68493-70260	CAP	1				0.025	0.055
060	68493-70270	SEAT SPRING	2				0.005	0.011
070	68493-70280	SCREW CAP	1				0.015	0.033
080	68861-70520	SPRING	1				0.01	0.022
090	68493-70310	POPPET	1				0.01	0.022
100	68493-70320	SPRING	1				0.002	0.0044
110	RC101-70320	RING	1				0	0
120	69251-74060	SCREW ROUND HEAD	2				0.01	0.022
130	69251-74070	BOLT SOCKET HEAD	2				0.01	0.022

SPOOL SECTION (TRAVEL STRAIGHT)



RC101-127-20



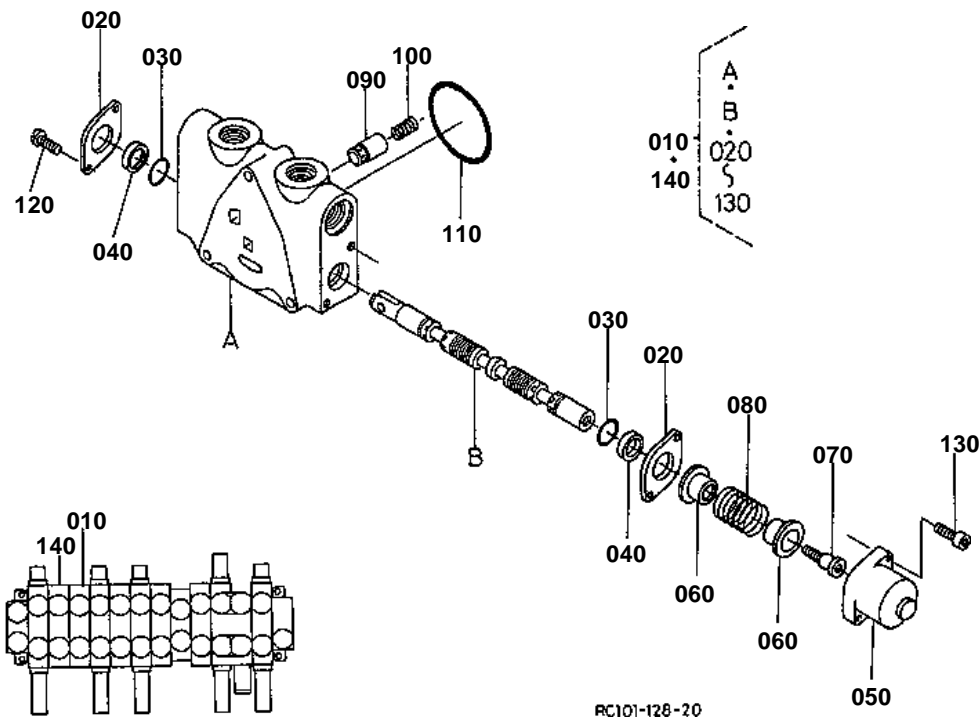


## SPOOL SECTION (TRAVEL STRAIGHT)

↔ Interchangeable; ≠ not interchangeable; ← new for old; → old for new

REF.No	Part No.	Description	Q'ty	S.No.	I/C	REMARKS	Weight (kgf)	Weight (lb)
010	RC101-70110	ASSY VALVE TRAVEL ST	1				3.582	7.8804
020	RC101-70420	CAP	1				0.25	0.55
030	RC101-70470	END SPOOL	1	<=11737			0.046	0.1012
030	RP402-71230	END SPOOL	1	>=11738	≠		0.036	0.0792
040	68311-70930	PLATE SPRING	1				0.006	0.0132
050	RC101-70490	SPRING	1				0.025	0.055
060	RC101-70550	SEAT SPRING	1				0.016	0.0352
070	69251-74180	O RING	2				0.005	0.011
080	RC101-70460	CAP	1				0.18	0.396
090	69251-74070	BOLT SOCKET HEAD	4				0.01	0.022
100	RP802-70610	ASSY PLUG	1				0.052	0.1144
110	RP402-70620	ASSY PLUG	1				0.09	0.198

SPOOL SECTION (SWING/BLADE)



RC101-128-20

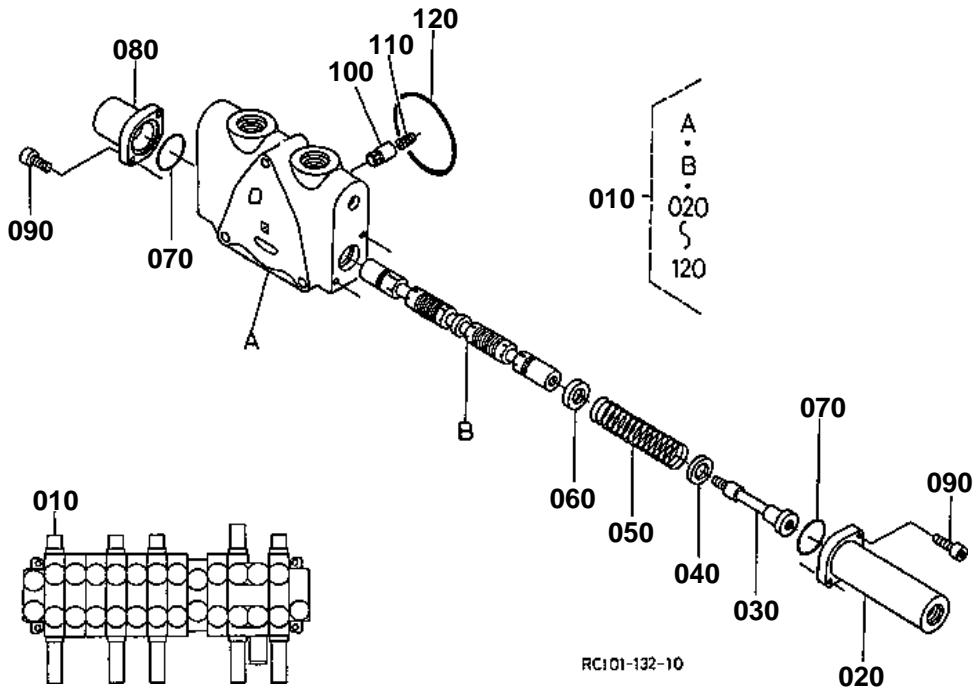


## SPOOL SECTION (SWING/BLADE)

↔ Interchangeable; ≠ not interchangeable; ← new for old; → old for new

REF.No	Part No.	Description	Q'ty	S.No.	I/C	REMARKS	Weight (kgf)	Weight (lb)
010	RC101-70120	ASSY VALVE SWING	1				3	6.6
020	68493-70230	PLATE SEAL	2				0.02	0.044
030	68493-70240	O RING	2				0.001	0.0022
040	68493-70250	WIPER	2				0.002	0.0044
050	68493-70260	CAP	1				0.025	0.055
060	68493-70270	SEAT SPRING	2				0.005	0.011
070	68493-70280	SCREW CAP	1				0.015	0.033
080	68861-70520	SPRING	1				0.01	0.022
090	68493-70310	POPPET	1				0.01	0.022
100	68493-70320	SPRING	1				0.002	0.0044
110	RC101-70320	RING	1				0	0
120	69251-74060	SCREW ROUND HEAD	2				0.01	0.022
130	69251-74070	BOLT SOCKET HEAD	2				0.01	0.022
140	RC401-70130	ASSY VALVE BLADE	1				3	6.6

SPOOL SECTION (SWIVEL)



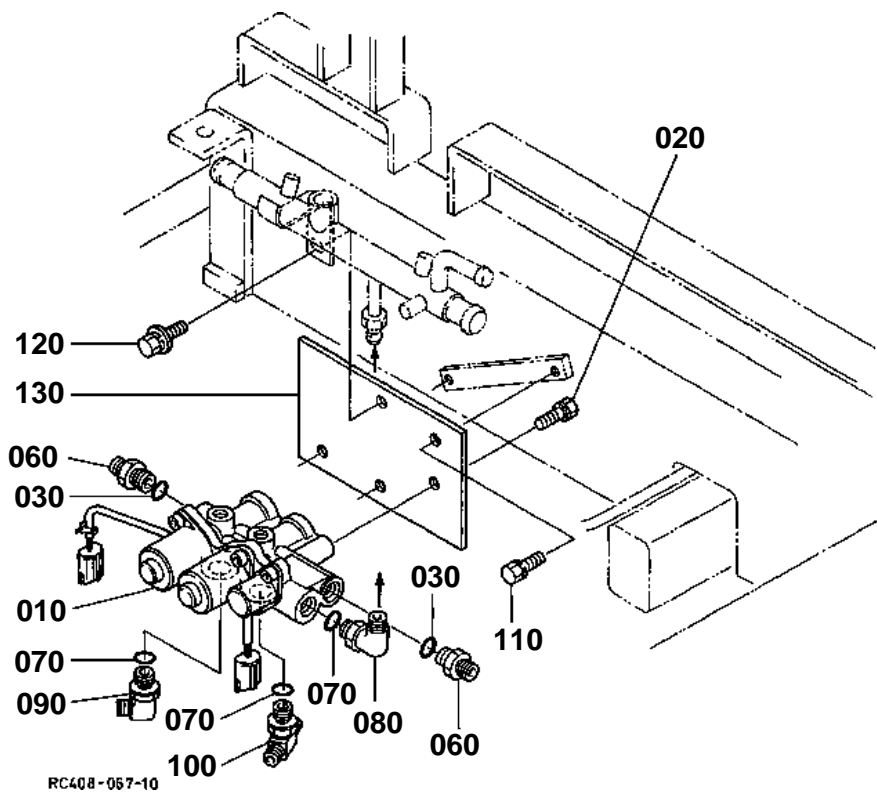


## SPOOL SECTION (SWIVEL)

↔ Interchangeable; ≠ not interchangeable; ← new for old; → old for new

REF.No	Part No.	Description	Q'ty	S.No.	I/C	REMARKS	Weight (kgf)	Weight (lb)
010	RC301-70140	ASSY VALVE SWIVEL	1				3.4	7.48
020	RC101-70410	CAP	1				0.25	0.55
030	RC101-70470	END SPOOL	1	<=11737			0.046	0.1012
030	RP402-71230	END SPOOL	1	>=11738	≠		0.036	0.0792
040	68311-70930	PLATE SPRING	1				0.006	0.0132
050	RC101-70480	SPRING	1				0.02	0.044
060	RC101-70550	SEAT SPRING	1				0.016	0.0352
070	69251-74180	O RING	2				0.005	0.011
080	RC101-70440	CAP	1				0.15	0.33
090	69251-74070	BOLT SOCKET HEAD	4				0.01	0.022
100	68493-70310	POPPET	1				0.01	0.022
110	68493-70320	SPRING	1				0.002	0.0044
120	RC101-70320	RING	1				0	0

# CHANGE VALVE



CHANGE VALVE

---

010 RC101-6125-0

020 01135-61025

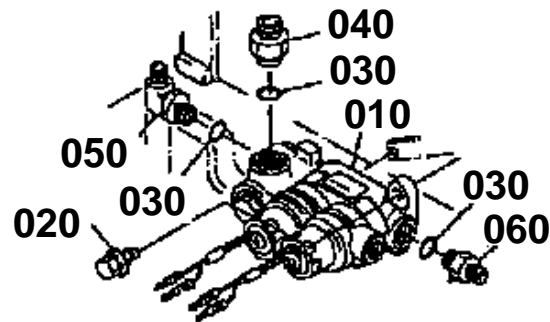
030 04810-00140

040 68741-6842-0

040 R1401-6839-0

050 68191-6181-0

060 68051-6362-0



RC408-810-10



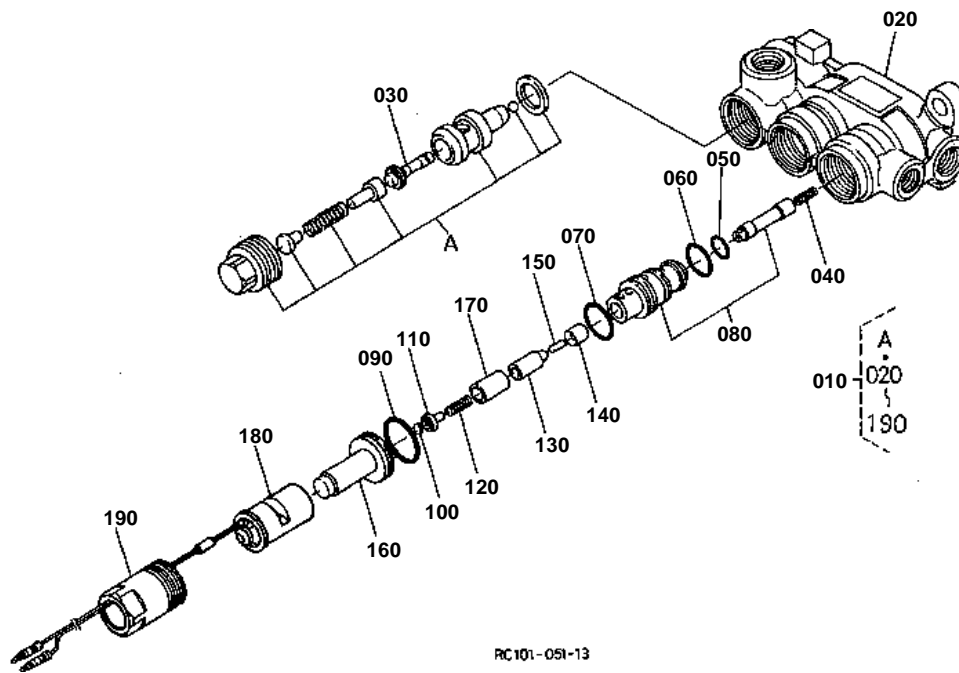
# CHANGE VALVE

↔ Interchangeable; ≠ not interchangeable; ← new for old; → old for new

REF.No	Part No.	Description	Q'ty	S.No.	I/C	REMARKS	Weight (kgf)	Weight (lb)
010	RC101-61250	ASSY VALVE CHANGE	1			<=DEC.98	3.8	8.36
010	RD401-61912	ASSY VALVE CHANGE	1		≠	>=JAN.99	1.25	2.75
020	01135-61025	BOLT	2			<=DEC.98	0.04	0.088
020	01123-61020	BOLT	2		≠	>=JAN.99	0.02	0.044
030	04810-00140	O RING	3			<=DEC.98	0	0
030	04810-00110	O RING	2		≠	>=JAN.99	0	0
040	68741-68420	BODY	2	<=12499			0.07	0.154
040	R1401-68390	JOINT PIPE	2	>=12500	↔		0.085	0.187
040	R1401-68390	JOINT PIPE	2			<=DEC.98	0.085	0.187
050	68191-61810	JOINT PIPE(LF/-F/)	1			<=DEC.98	0.11	0.242
060	68051-63620	ADAPTER	1			<=DEC.98	0.06	0.132
060	68728-76150	ADAPTER	2		≠	>=JAN.99	0.02	0.044
060	68728-76150	ADAPTER	2		≠		0.02	0.044
070	04810-00110	O RING	3				0	0
080	32590-39340	JOINT	1	<=12439			0	0
080	06015-11022	JOINT	1	>=12440	↔		0.06	0.132
090	RB101-63870	JOINT	1	<=12023			0.06	0.132
090	RC601-63720	JOINT	1	>=12024	↔		0.06	0.132
100	RC101-63820	T JOINT PIPE(F)	1				0.075	0.165
110	01133-61016	BOLT	2			>=JAN.99	0.018	0.0396
120	01135-61020	BOLT	1			>=JAN.99	0.015	0.033
130	RC401-61920	PLATE	1			>=JAN.99	0.41	0.902



CHANGE VALVE [COMPONENT PARTS]



RC101-051-13

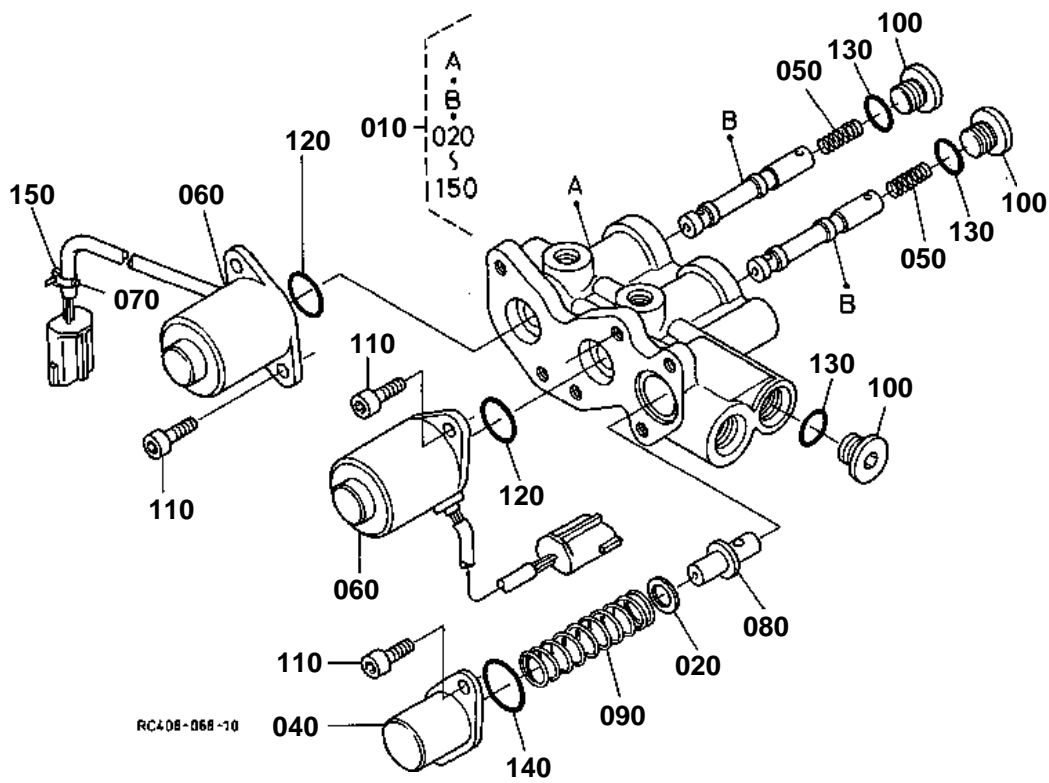
**CHANGE VALVE [COMPONENT PARTS]**

S.NO.A:&lt;=DEC.98

↔ Interchangeable; ≠ not interchangeable; ← new for old; → old for new

REF.No	Part No.	Description	Q'ty	S.No.	I/C	REMARKS	Weight (kgf)	Weight (lb)
010	RC101-61250	ASSY VALVE CHANGE	1				3.8	8.36
020	RC101-76110	HOUSING	1				2.48	5.456
030	RC101-76120	VALVE RELIEF	1				0.2	0.44
040	RC101-76130	SPRING	2				0.001	0.0022
050	04810-00140	O RING	2				0	0
060	04810-00210	O RING	2				0	0
070	04810-07220	O RING	2				0	0
080	RC101-76140	ASSY SPOOL	2				0.11	0.242
090	RC101-76150	O RING	2				0.001	0.0022
100	RC101-76160	PIPE	2				0.001	0.0022
110	RC101-76170	RETAINER SPRING	2				0.001	0.0022
120	RC101-76180	SPRING	2				0.001	0.0022
130	RC101-76190	PLUNGER	2				0.014	0.0308
140	RC101-76210	STOPPER	2				0.018	0.0396
150	RC101-76220	ROD	2				0.001	0.0022
160	RC101-76230	HOUSING INNER	2				0.05	0.11
170	RC101-76240	SPACER	2				0.017	0.0374
180	RC101-76250	ASSY COIL	2				0.09	0.198
190	RC101-76260	SCREW	2				0.1	0.22

CHANGE VALVE [COMPONENT PARTS]



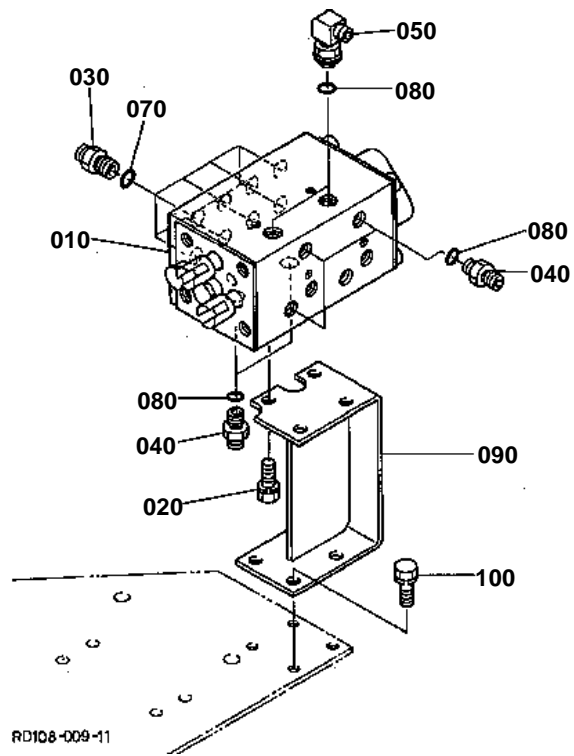
**CHANGE VALVE [COMPONENT PARTS]**

S.NO.A:&gt;=JAN.99

↔ Interchangeable; ≠ not interchangeable; ← new for old; → old for new

REF.No	Part No.	Description	Q'ty	S.No.	I/C	REMARKS	Weight (kgf)	Weight (lb)
010	RD401-61912	ASSY VALVE CHANGE	1				1.25	2.75
020	RB401-76110	SHIM	1			0.5MM	0.001	0.0022
020	RD401-61930	SHIM	2			0.2MM	0.001	0.0022
030	99999-99999	BLANK	0				0	0
040	RD401-61940	COVER SPRING	1				0.04	0.088
050	RC601-61920	ASSY SPRING	2				0.001	0.0022
060	RC601-61930	SOLENOID	2				0.33	0.726
070	RD401-61950	TUBE MARK	1				0.001	0.0022
080	RD401-61960	PLUNGER	1				0.01	0.022
090	RD401-61970	ASSY SPRING	1				0.01	0.022
100	RC601-61940	PLUG	3				0.012	0.0264
110	01350-10510	BOLT HEX-SOC-HD	6				0.003	0.0066
120	04811-00160	O RING	2				0	0
130	04810-00110	O RING	3				0	0
140	04810-00200	O RING	1				0	0
150	RD401-61990	CLAMP	1				0.001	0.0022

# MULTI VALVE



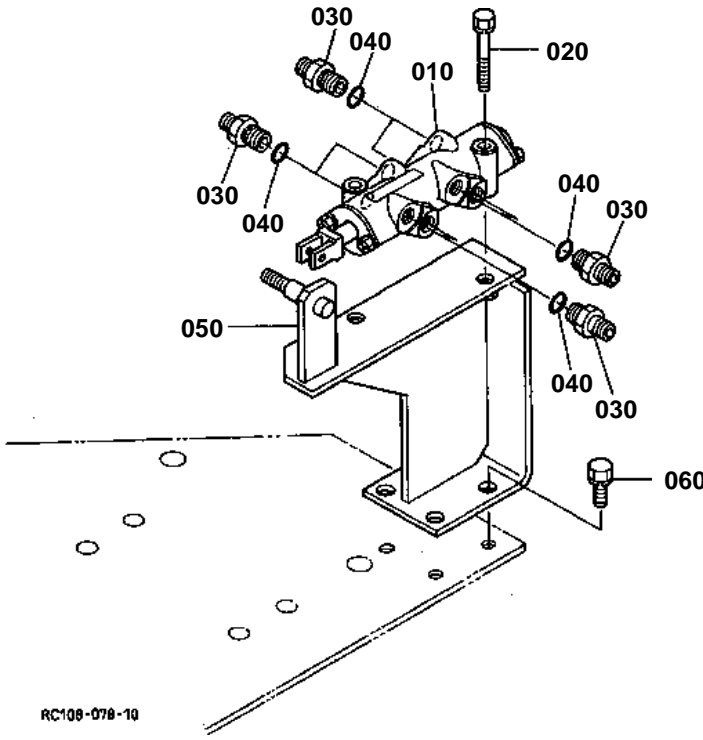


MULTI VALVE  
S.NO.A:<=12152

↔ Interchangeable; ≠ not interchangeable; ← new for old; → old for new

REF.No	Part No.	Description	Q'ty	S.No.	I/C	REMARKS	Weight (kgf)	Weight (lb)
010	RD108-96500	ASSY VALVE	1				8.4	18.48
020	01133-61020	BOLT	4				0.02	0.044
030	68728-76150	ADAPTER	8				0.02	0.044
040	68499-63960	ADAPTER	6				0.05	0.11
050	RP201-69620	JOINT	2				0.045	0.099
060	99999-99999	BLANK	0				0	0
070	04810-00110	O RING	8				0	0
080	04810-00080	O RING	8				0	0
090	RC101-96110	BRACKET	1				1.5	3.3
100	01133-61025	BOLT	4				0.02	0.044

TPSS VALVE





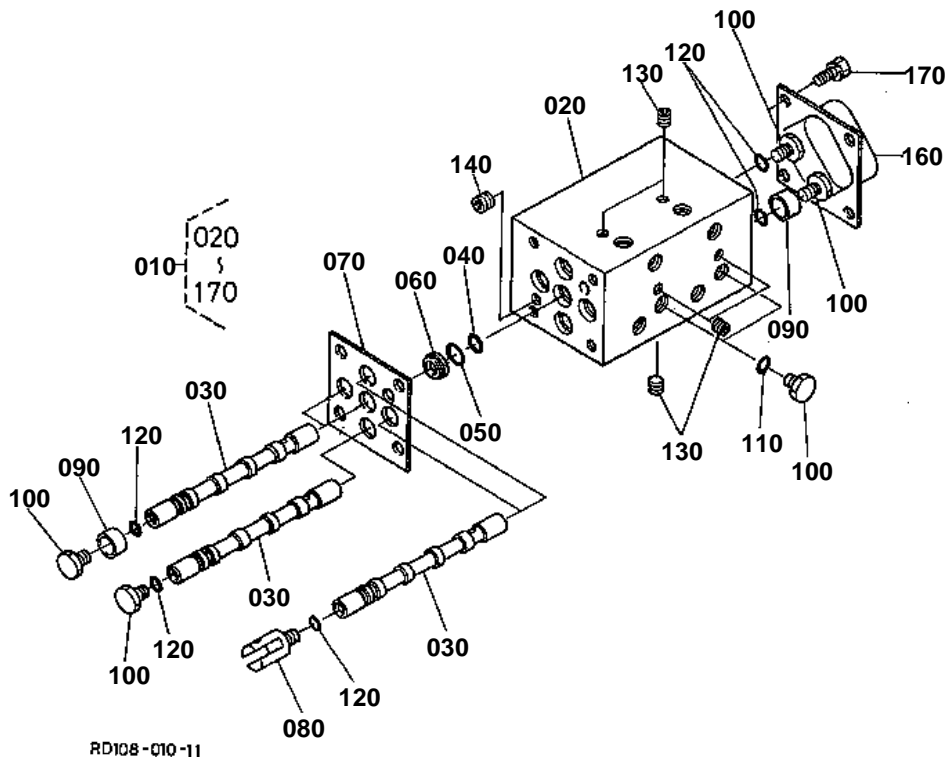
TPSS VALVE  
S.NO.A:>=12153

↔ Interchangeable; ≠ not interchangeable; ← new for old; → old for new

REF.No	Part No.	Description	Q'ty	S.No.	I/C	REMARKS	Weight (kgf)	Weight (lb)
010	RB208-96900	ASSY VALVE TPSS	1				1.49	3.278
020	01123-60860	BOLT	2				0.03	0.066
030	68499-63960	ADAPTER	8				0.05	0.11
040	04811-00080	O RING	8				0	0
050	RC108-96120	BRACKET(TPSS)	1				1.81	3.982
060	01133-61025	BOLT	4				0.02	0.044



MULTI VALVE [COMPONENT PARTS]



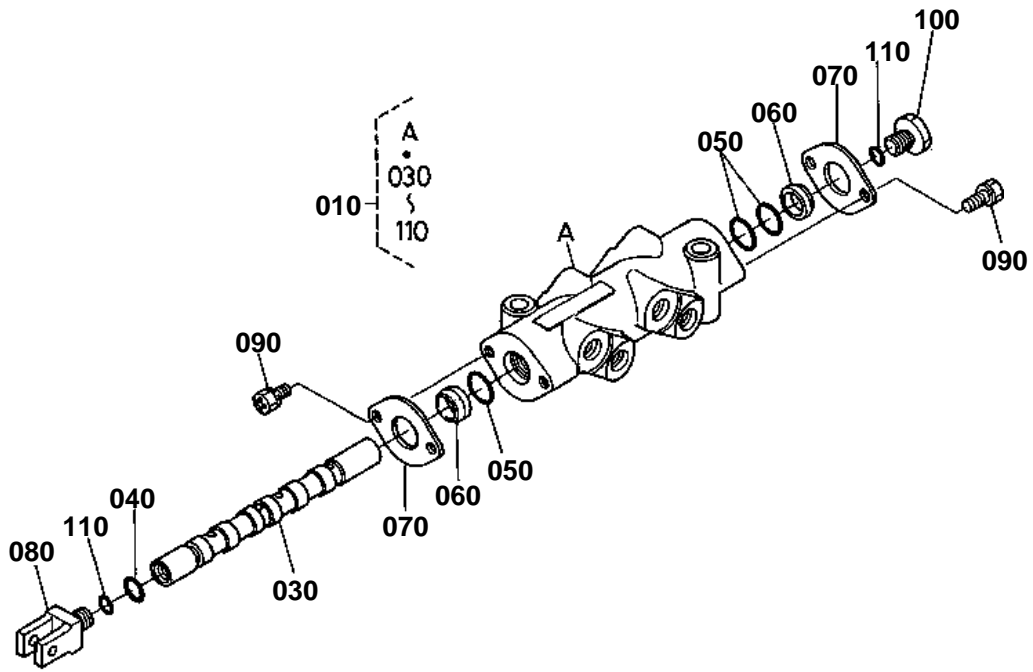
**MULTI VALVE [COMPONENT PARTS]**

S.NO.A:&lt;=12152

↔ Interchangeable; ≠ not interchangeable; ← new for old; → old for new

REF.No	Part No.	Description	Q'ty	S.No.	I/C	REMARKS	Weight (kgf)	Weight (lb)
010	RD108-96500	ASSY VALVE	1				8.4	18.48
020	68311-96513	BODY VALVE	1				7.1	15.62
030	68311-96524	SPOOL	5				0.14	0.308
040	04811-40080	O RING	5				0.001	0.0022
050	04811-40110	O RING	10				0.001	0.0022
060	68311-96492	RING BACK UP	5				0.001	0.0022
070	68311-96950	PLATE	1				0.065	0.143
080	68311-96540	ROD	2				0.005	0.011
090	68318-96020	COLLAR	3				0.005	0.011
100	68311-96550	PLUG	10				0.014	0.0308
110	04810-00080	O RING	2				0	0
120	04811-00080	O RING	10				0	0
130	68311-96563	PLUG	6				0.005	0.011
140	68311-13380	PLUG	1				0.003	0.0066
150	99999-99999	BLANK	0				0	0
160	68311-96580	COVER	1				0.2	0.44
170	01123-60816	BOLT	4				0.01	0.022

TPSS VALVE [COMPONENT PARTS]



RG208-071-11

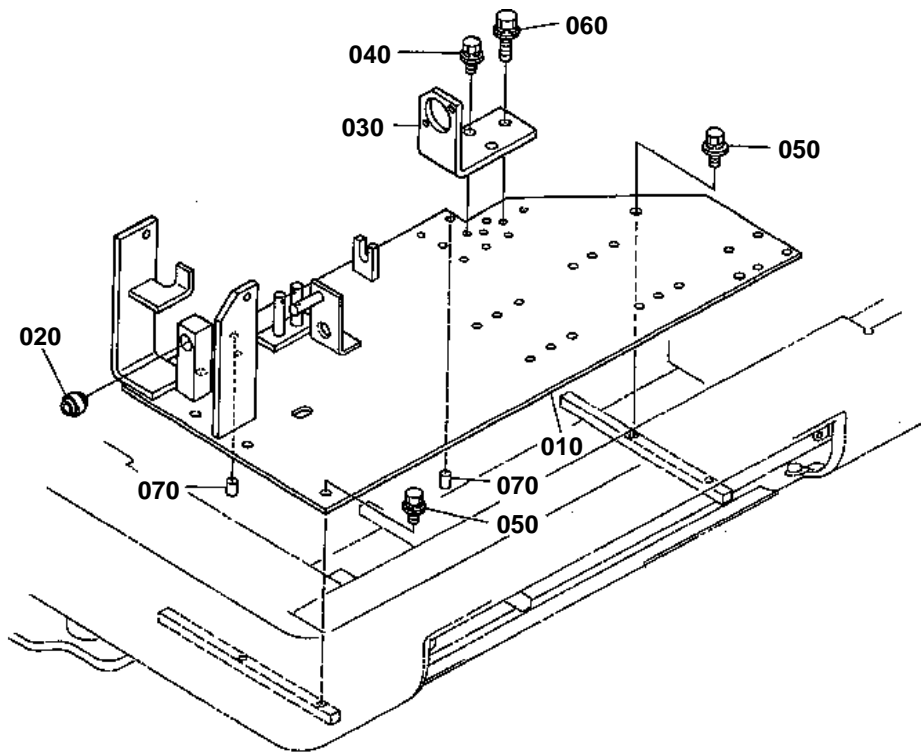


**TPSS VALVE [COMPONENT PARTS]**  
S.NO.A:>=12153

↔ Interchangeable; ≠ not interchangeable; ← new for old; → old for new

REF.No	Part No.	Description	Q'ty	S.No.	I/C	REMARKS	Weight (kgf)	Weight (lb)
010	RB208-96900	ASSY VALVE TPSS	1				1.49	3.278
020	99999-99999	BLANK	0				0	0
030	RB208-96920	SPOOL	1				0.13	0.286
040	04811-40080	O RING	1				0.001	0.0022
050	04811-40110	O RING	3				0.001	0.0022
060	68311-96492	RING BACK UP	2				0.001	0.0022
070	RB208-96950	PLATE	2				0.012	0.0264
080	68311-96540	ROD	1				0.005	0.011
090	01202-60612	BOLT	4				0.006	0.0132
100	68311-96550	PLUG	1				0.014	0.0308
110	04811-00090	O RING	2				0	0

CONTROL LEVER (FRAME)



RC408-006-11

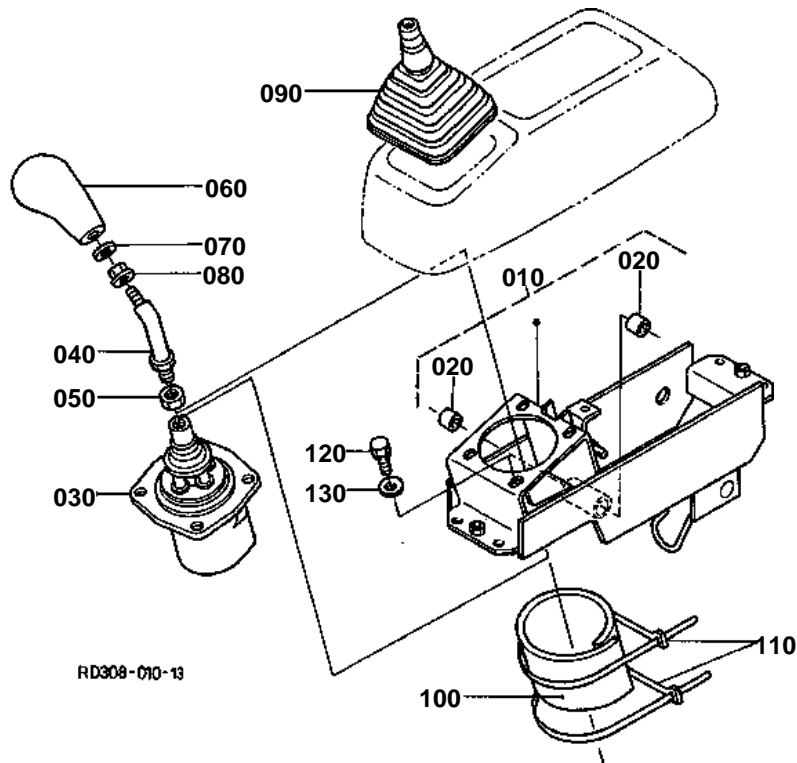


## CONTROL LEVER (FRAME)

↔ Interchangeable; ≠ not interchangeable; ← new for old; → old for new

REF.No	Part No.	Description	Q'ty	S.No.	I/C	REMARKS	Weight (kgf)	Weight (lb)
010	RC301-65115	BRACKET	1				0	0
010	RC301-65115	BRACKET	1		↔		0	0
020	68741-92160	BUSH	1				0.03	0.066
030	RC101-65120	BRACKET	1				1	2.2
040	01135-61025	BOLT	2				0.04	0.088
050	01135-61020	BOLT	5				0.015	0.033
060	01135-61045	BOLT	1				0.038	0.0836
070	05012-01016	PIN STRAIGHT	2				0.01	0.022

CONTROL LEVER (LEVER LH)



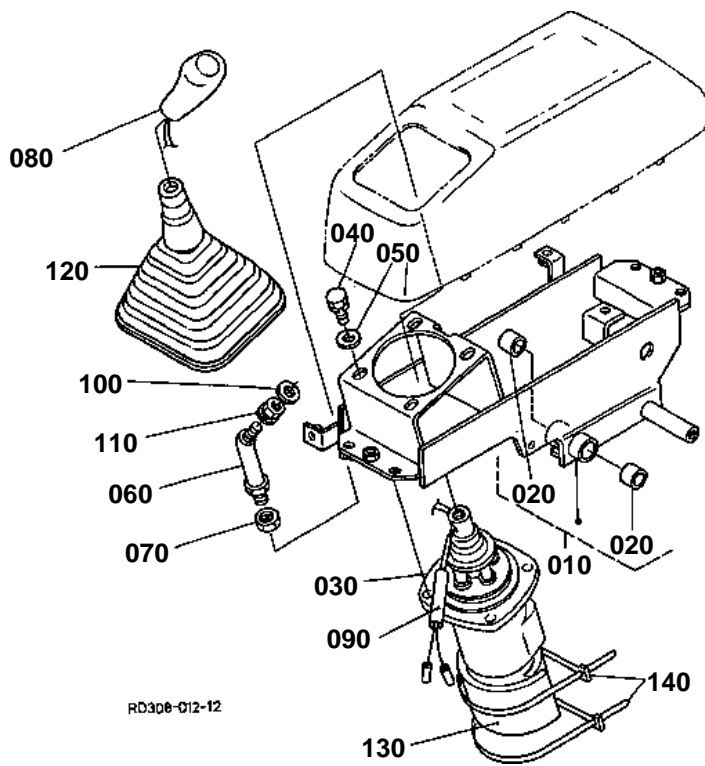
**CONTROL LEVER (LEVER LH)**

↔ Interchangeable; ≠ not interchangeable; ← new for old; → old for new

REF.No	Part No.	Description	Q'ty	S.No.	I/C	REMARKS	Weight (kgf)	Weight (lb)
010	RC101-44500	ASSY BRACKET LH	1	≤11894			4.5	9.9
010	RC108-44502	ASSY BRACKET LH	1	≥11895	≠		2	4.4
010	RC108-44502	ASSY BRACKET LH	1	≥12149	←		2	4.4
020	08511-01620	BUSH	2				0.008	0.0176
030	RC101-61725	ASSY VALVE PILOT	1	≤11737			0	0
030	RC101-61727	ASSY VALVE PILOT	1	≥11738	←		0	0
030	RC101-61728	ASSY VALVE PILOT	1	≥12140	←		4	8.8
040	RC101-65212	LEVER CONTROL	1	≤12197			0	0
040	RC101-65213	LEVER CONTROL	1	≥12198	←		0.15	0.33
050	02052-60140	NUT	1				0.018	0.0396
060	RB101-65610	GRIP LH	1				0.15	0.33
070	04011-50120	WASHER PLAIN	1				0.005	0.011
080	RC101-65240	NUT	1	≤11857			0.01	0.022
080	RC301-65240	NUT	1	≥11858	←		0.013	0.0286
090	RC101-65230	BELLOWS	1				0.18	0.396
100	RC101-54340	PLATE PARTITION COO.	1				0.02	0.044
110	71585-11190	BAND INLET PIPE	2				0.002	0.0044
120	01123-60820	BOLT	4				0.015	0.033
130	04013-60080	WASHER PLAIN	4				0.002	0.0044



# CONTROL LEVER (LEVER RH)



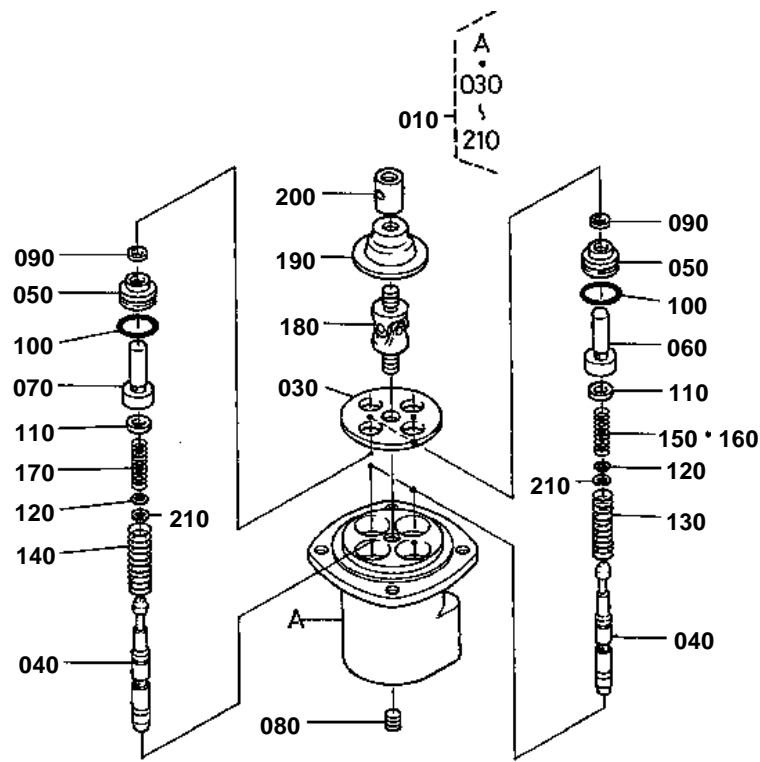


## CONTROL LEVER (LEVER RH)

↔ Interchangeable; ≠ not interchangeable; ← new for old; → old for new

REF.No	Part No.	Description	Q'ty	S.No.	I/C	REMARKS	Weight (kgf)	Weight (lb)
010	RC101-53100	ASSY BRACKET RH	1				5.2	11.44
020	08511-01620	BUSH	2				0.008	0.0176
030	RC101-61725	ASSY VALVE PILOT	1	<=11737			0	0
030	RC101-61727	ASSY VALVE PILOT	1	>=11738	←		0	0
030	RC101-61728	ASSY VALVE PILOT	1	>=12140	←		4	8.8
040	01123-60820	BOLT	4				0.015	0.033
050	04013-60080	WASHER PLAIN	4				0.002	0.0044
060	RC101-65212	LEVER CONTROL	1	<=12197			0	0
060	RC101-65213	LEVER CONTROL	1	>=12198	←		0.15	0.33
070	02052-60140	NUT	1				0.018	0.0396
080	RB101-65620	GRIP RH	1				0.135	0.297
090	68271-65940	TUBE VINYL	1				0.001	0.0022
100	04011-50120	WASHER PLAIN	1				0.005	0.011
110	RC101-65240	NUT	1	<=11857			0.01	0.022
110	RC301-65240	NUT	1	>=11858	←		0.013	0.0286
120	RC101-65230	BELLOWS	1				0.18	0.396
130	RC101-54340	PLATE PARTITION COO.	1				0.02	0.044
140	71585-11190	BAND INLET PIPE	2				0.002	0.0044

PILOT VALVE [COMPONENT PARTS]



RC101-113-14

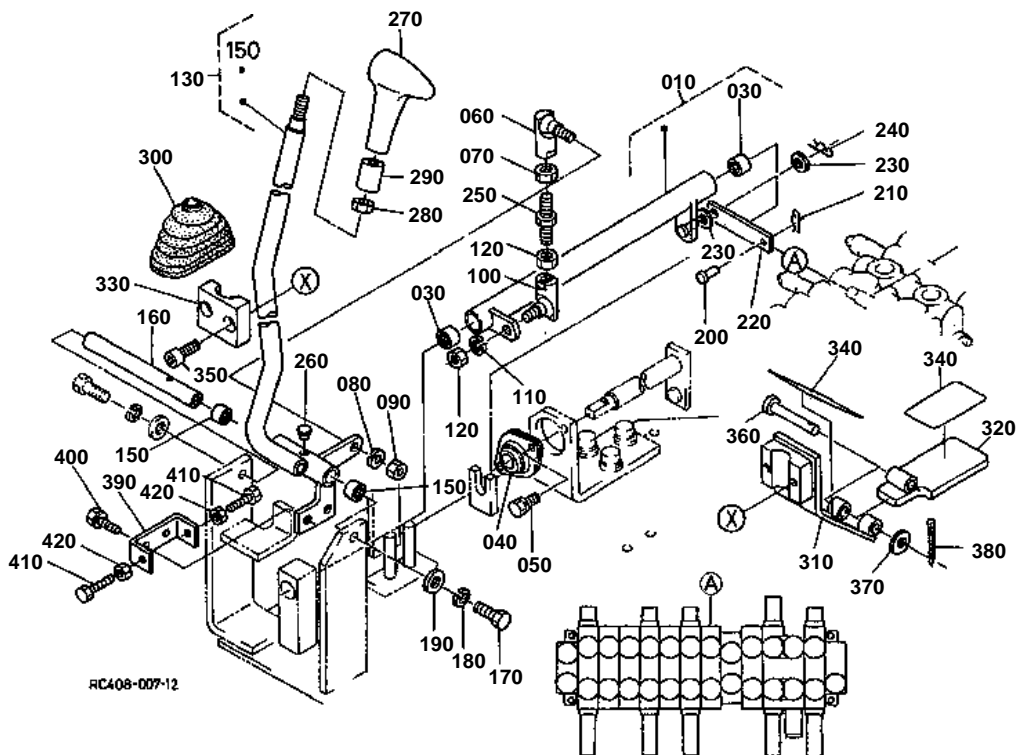


PILOT VALVE [COMPONENT PARTS]

↔ Interchangeable; ≠ not interchangeable; ← new for old; → old for new

REF.No	Part No.	Description	Q'ty	S.No.	I/C	REMARKS	Weight (kgf)	Weight (lb)
010	RC101-61725	ASSY VALVE PILOT	2	≤11737			0	0
010	RC101-61727	ASSY VALVE PILOT	2	≥11738	←		0	0
010	RC101-61728	ASSY VALVE PILOT	2	≥12140	←		4	8.8
020	99999-99999	BLANK	0				0	0
030	RC101-77130	PLATE	2				0.07	0.154
040	RC101-77142	SPOOL	8				0.01	0.022
050	RC101-77154	PLUG	8	≤12139			0	0
050	RC101-77155	PLUG	8	≥12140	←		0.044	0.0968
060	RC101-77165	PUSH ROD	6				0.03	0.066
070	RC101-77175	ROD PUSH	2				0.03	0.066
080	31351-37150	PLUG	2				0.007	0.0154
090	RC101-77182	DUST LIPE SEAL	8				0.001	0.0022
100	04810-00200	O RING	8				0	0
110	RC101-77190	SUPPORT SPRING	8				0.003	0.0066
120	66611-36330	SHIM ADJUSTING	8				0.001	0.0022
120	31391-39140	SHIM	8				0.001	0.0022
120	31391-39150	SHIM	8				0.001	0.0022
130	RC101-77220	SPRING	4				0.009	0.0198
140	RC101-77230	SPRING	4				0.013	0.0286
150	RC101-77243	SPRING	4				0.002	0.0044
160	RC101-77250	SPRING	2				0.003	0.0066
170	RC101-77260	SPRING	2				0.002	0.0044
180	RC101-77270	JOINT UNIVERSAL	2				0.1	0.22
190	RC101-77280	NUT	2				0.146	0.3212
200	RC101-77290	NUT ADJUSTING	2				0.06	0.132
210	04613-50040	CIR CLIP EXTERNAL	8				0.001	0.0022

CONTROL LEVER (TRAVEL LH)



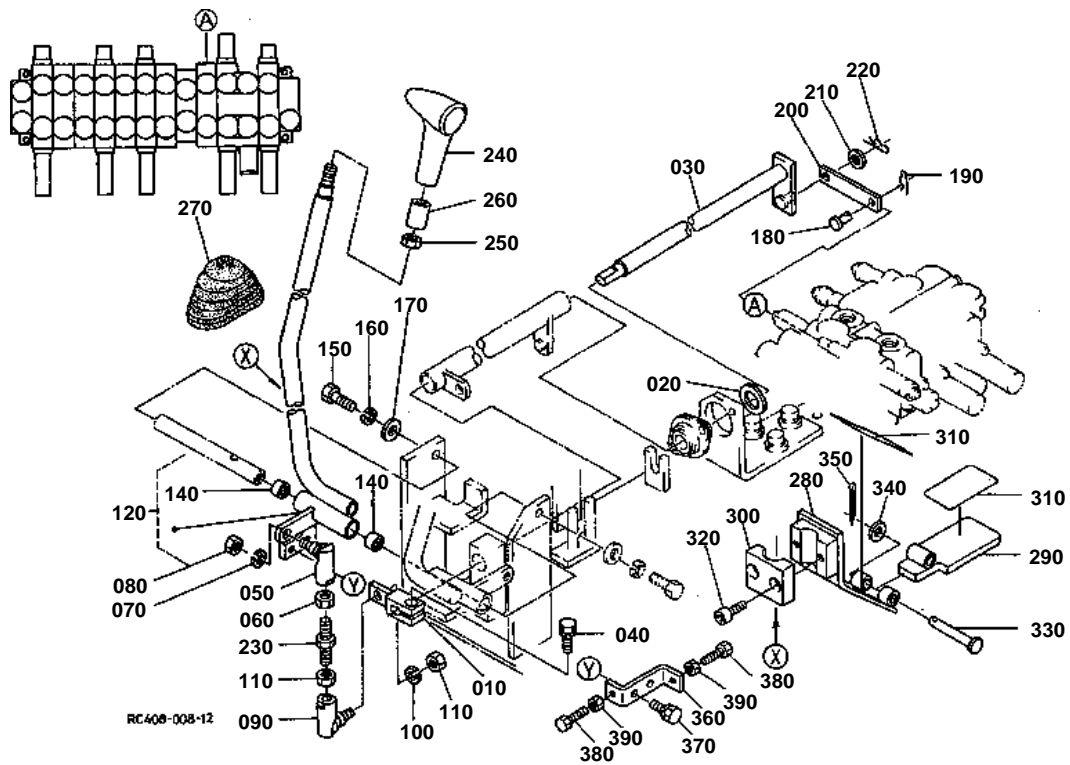


**CONTROL LEVER (TRAVEL LH)**

↔ Interchangeable; ≠ not interchangeable; ← new for old; → old for new

REF.No	Part No.	Description	Q'ty	S.No.	I/C	REMARKS	Weight (kgf)	Weight (lb)
010	RC401-65023	ASSY LEVER DRIVE LH	1	<=12250			0.84	1.848
010	RC401-65023	ASSY LEVER DRIVE LH	1	>=12251	←		0.84	1.848
020	99999-99999	BLANK	0				0	0
030	RC101-65160	BEARING NEEDLE	2				0.02	0.044
040	RC101-65330	BUSH	1				0.145	0.319
050	01123-60814	BOLT	2				0.01	0.022
060	68221-34310	END ROD LH	1				0.096	0.2112
070	68011-32680	NUT LOCK	1				0.006	0.0132
080	04512-60100	WASHER SPRING	1				0.002	0.0044
090	02118-60100	NUT	1				0.006	0.0132
100	68221-34330	END ROD RH	1				0.1	0.22
110	04512-60100	WASHER SPRING	1				0.002	0.0044
120	02118-60100	NUT	2				0.006	0.0132
130	RC101-65030	ASSY LEVER DRIVE LH	1	<=11747			0	0
130	RC101-65034	ASSY LEVER DRIVE LH	1	>=11748	←		1.6	3.52
140	99999-99999	BLANK	0				0	0
150	68741-65360	BEARING NEEDLE	2				0.02	0.044
160	RC101-65370	PIN DRIVE	1				0.32	0.704
170	01176-61025	BOLT	1				0.02	0.044
180	04512-60100	WASHER SPRING	1				0.002	0.0044
190	04013-60100	WASHER PLAIN	1				0.003	0.0066
200	68021-32790	PIN	1				0.004	0.0088
210	05525-60500	PIN SNAP	1				0.001	0.0022
220	RC101-65260	PLATE	1				0.055	0.121
230	04013-60080	WASHER PLAIN	2				0.002	0.0044
240	05525-50800	PIN SNAP	1				0.001	0.0022
250	RC101-65390	ROD ADJUST	1				0.035	0.077
260	68741-65430	CAP	1				0.001	0.0022
270	RC101-65280	GRIP TRAVEL	1				0.16	0.352
280	02074-60120	NUT	1				0.016	0.0352
290	RC101-65290	CAP	1				0.001	0.0022
300	68161-65162	RUBBER BELLOWS	1				0.062	0.1364
310	RC101-96830	PEDAL LH	1				0.5	1.1
320	RC101-96850	PEDAL	1	<=12275			0.1	0.22
320	RC101-96852	PEDAL	1	>=12276	≠		0.2	0.44
330	RC101-96860	PLATE	1				0.13	0.286
340	RC101-96870	STOPPER	2				0.002	0.0044
350	01311-10820	BOLT HEX-SOC-HD	2				0.012	0.0264
360	05122-50855	PIN JOINT	1				0.022	0.0484
370	04012-50080	WASHER PLAIN	1				0.001	0.0022
380	05511-50215	PIN SPLIT	1				0.001	0.0022
390	RC101-62810	STOPPER	1	>=11748			0.25	0.55
400	01133-61020	BOLT	2	>=11748			0.02	0.044
410	01153-60825	BOLT	2	>=11748			0.01	0.022
410	01155-60830	BOLT	2	>=11774	↔		0.131	0.2882
420	02112-60080	NUT	1	>=11748			0.005	0.011

# CONTROL LEVER (TRAVEL RH)



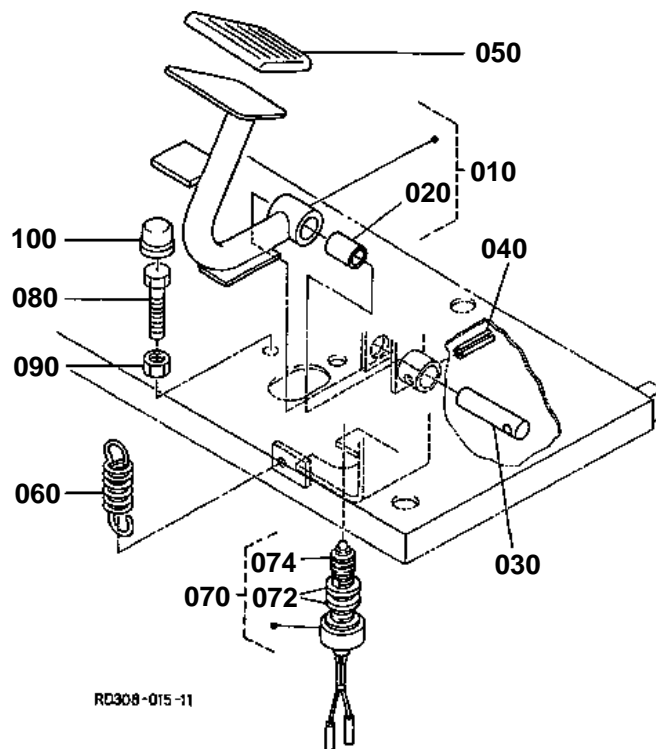
**CONTROL LEVER (TRAVEL RH)**

↔ Interchangeable; ≠ not interchangeable; ← new for old; → old for new

REF.No	Part No.	Description	Q'ty	S.No.	I/C	REMARKS	Weight (kgf)	Weight (lb)
010	RC101-65310	LEVER TRAVEL RH	1				0.14	0.308
020	04011-50200	WASHER PLAIN	1				0.015	0.033
030	RC401-65320	LEVER TRAVEL RH	1				1.2	2.64
040	01133-61025	BOLT	1				0.02	0.044
050	68221-34310	END ROD LH	1				0.096	0.2112
060	68011-32680	NUT LOCK	1				0.006	0.0132
070	04512-60100	WASHER SPRING	1				0.002	0.0044
080	02118-60100	NUT	1				0.006	0.0132
090	68221-34330	END ROD RH	1				0.1	0.22
100	04512-60100	WASHER SPRING	1				0.002	0.0044
110	02118-60100	NUT	2				0.006	0.0132
120	RC101-65045	ASSY LEVER TRAVEL RH	1	<=11747			0	0
120	RC101-65045	ASSY LEVER DRIVE RH	1	>=11748	←		0	0
130	99999-99999	BLANK	0				0	0
140	68741-65360	BEARING NEEDLE	2				0.02	0.044
150	01176-61025	BOLT	1				0.02	0.044
160	04512-60100	WASHER SPRING	1				0.002	0.0044
170	04013-60100	WASHER PLAIN	1				0.003	0.0066
180	68021-32790	PIN	1				0.004	0.0088
190	05525-60500	PIN SNAP	1				0.001	0.0022
200	RC101-65260	PLATE	1				0.055	0.121
210	04013-60080	WASHER PLAIN	1				0.002	0.0044
220	05525-50800	PIN SNAP	1				0.001	0.0022
230	RC101-65390	ROD ADJUST	1				0.035	0.077
240	RC101-65280	GRIP TRAVEL	1				0.16	0.352
250	02074-60120	NUT	1				0.016	0.0352
260	RC101-65290	CAP	1				0.001	0.0022
270	68161-65162	RUBBER BELLOWS	1				0.062	0.1364
280	RC101-96840	PEDAL RH	1				0.5	1.1
290	RC101-96850	PEDAL	1	<=12275			0.1	0.22
290	RC101-96852	PEDAL	1	>=12276	≠		0.2	0.44
300	RC101-96860	PLATE	1				0.13	0.286
310	RC101-96870	STOPPER	2				0.002	0.0044
320	01311-10820	BOLT HEX-SOC-HD	2				0.012	0.0264
330	05122-50855	PIN JOINT	1				0.022	0.0484
340	04012-50080	WASHER PLAIN	1				0.001	0.0022
350	05511-50215	PIN SPLIT	1				0.001	0.0022
360	RC101-62820	STOPPER	1	>=11748			0.26	0.572
370	01133-61020	BOLT	2	>=11748			0.02	0.044
380	01153-60825	BOLT	2	>=11748			0.01	0.022
380	01155-60830	BOLT	2	>=11774	↔		0.131	0.2882
390	02112-60080	NUT	2	>=11748			0.005	0.011



# CONTROL TRAVEL PEDAL



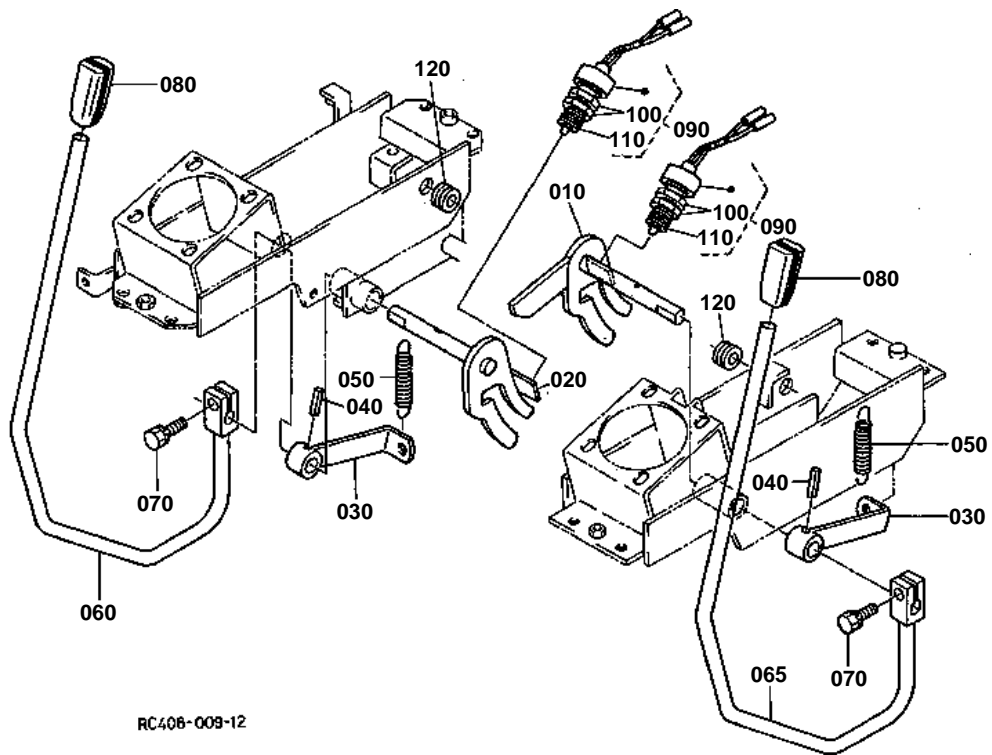


## CONTROL TRAVEL PEDAL

↔ Interchangeable; ≠ not interchangeable; ← new for old; → old for new

REF.No	Part No.	Description	Q'ty	S.No.	I/C	REMARKS	Weight (kgf)	Weight (lb)
010	RB101-65090	ASSY PEDAL	1				0.3	0.66
020	08511-01020	BUSH	1				0.005	0.011
030	RC101-65450	PIN	1				0.02	0.044
040	05411-00420	PIN SPRING	1				0.001	0.0022
050	66204-43410	COVER PEDAL REAR	1				0.06	0.132
060	50300-61280	SPRING TENSION 3	1				0.02	0.044
070	RC101-53390	SWITCH SAFETY	1				0.12	0.264
072	67111-55830	NUT SAFETY SWITCH	2				0.035	0.077
074	67111-55840	CAP SAFETY SWITCH	1				0.002	0.0044
080	01155-60835	BOLT	1				0.015	0.033
090	02114-60080	NUT	1				0.002	0.0044
100	35593-83980	CAP RUBBER	1				0.001	0.0022

CONTROL LEVER (SAFETY LOCK LEVER)



RC408-009-12

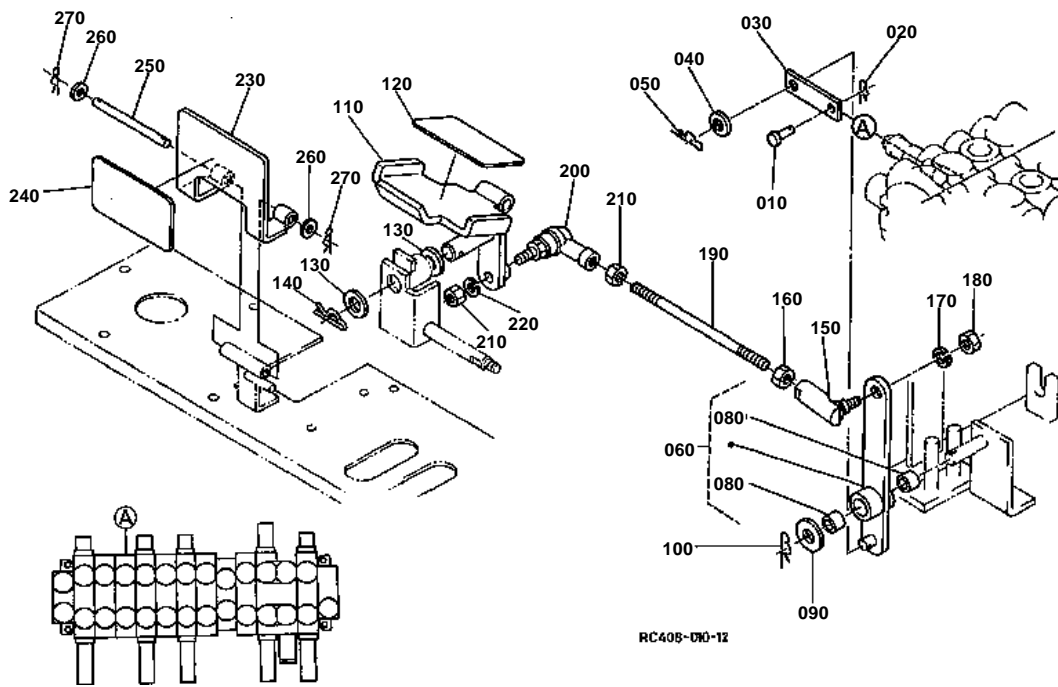


## CONTROL LEVER (SAFETY LOCK LEVER)

↔ Interchangeable; ≠ not interchangeable; ← new for old; → old for new

REF.No	Part No.	Description	Q'ty	S.No.	I/C	REMARKS	Weight (kgf)	Weight (lb)
010	RC108-65740	LEVER LOCK LH	1	≤11894			0.56	1.232
010	RC108-65742	LEVER LOCK LH	1	≥11895	≠		0.3	0.66
020	RC101-65750	LEVER LOCK RH	1				0.44	0.968
030	RC101-65780	LEVER SPRING	2				0.115	0.253
040	05411-00430	PIN SPRING	2				0.002	0.0044
050	RC101-65790	SPRING	2				0.03	0.066
060	RC108-65840	LEVER LOCK	2	≤11894			0.63	1.386
060	RC108-65840	LEVER LOCK	1	≥11895			0.63	1.386
065	RB208-65860	LEVER LOCK LH	1	≥11895			1	2.2
070	01135-61025	BOLT	2				0.04	0.088
080	RC101-65760	GRIP LEVER	2				0.028	0.0616
090	RC101-53390	SWITCH SAFETY	2				0.12	0.264
100	67111-55830	NUT SAFETY SWITCH	4				0.035	0.077
110	67111-55840	CAP SAFETY SWITCH	2				0.002	0.0044
120	68551-51250	CUSHION	2				0.001	0.0022

# CONTROL PEDAL (SWIVEL/SWING CHANGE)

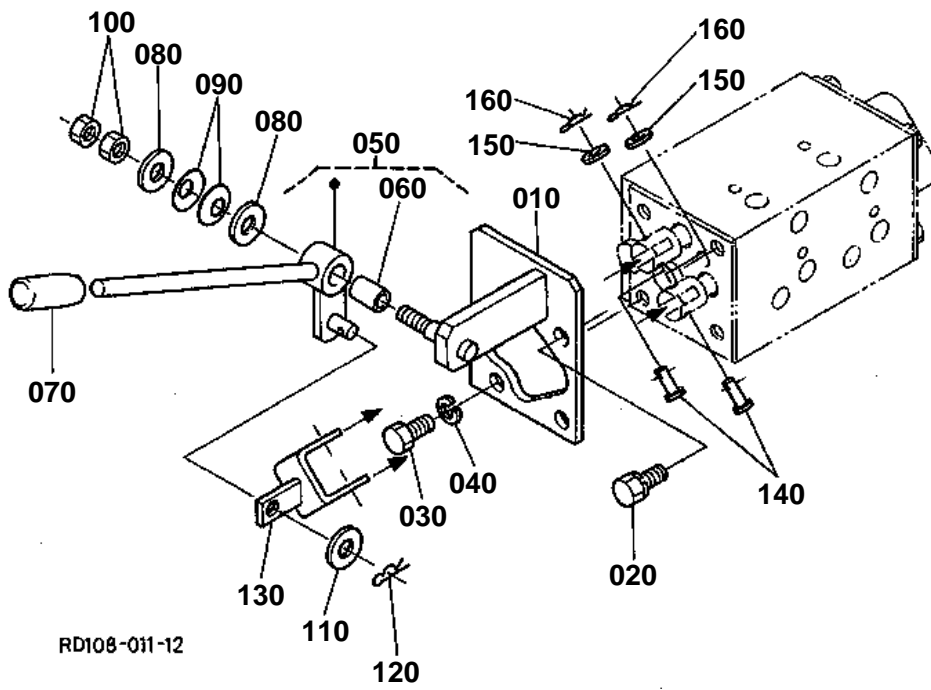


**CONTROL PEDAL (SWIVEL/SWING CHANGE)**

↔ Interchangeable; ≠ not interchangeable; ← new for old; → old for new

REF.No	Part No.	Description	Q'ty	S.No.	I/C	REMARKS	Weight (kgf)	Weight (lb)
010	68021-32790	PIN	1				0.004	0.0088
020	05525-60500	PIN SNAP	1				0.001	0.0022
030	RC101-65470	PLATE	1				0.035	0.077
040	04013-60080	WASHER PLAIN	1				0.002	0.0044
050	05525-50800	PIN SNAP	1				0.001	0.0022
060	RC101-65050	ASSY LEVER SWING	1				0.24	0.528
070	99999-99999	BLANK	0				0	0
080	08511-01410	BUSH	2				0.005	0.011
090	04013-60140	WASHER PLAIN	1				0.01	0.022
100	05525-51400	PIN SNAP	1				0.005	0.011
110	RB401-92160	PEDAL SWING SP	1	≤11737			0.515	1.133
110	RC108-92160	PEDAL SWING SP	1	≥11738	←		0.55	1.21
120	RC101-65580	SEAT	1				0.002	0.0044
130	04011-50140	WASHER PLAIN	2				0.007	0.0154
140	05525-51400	PIN SNAP	1				0.005	0.011
150	68221-34310	END ROD LH	1				0.096	0.2112
160	68011-32680	NUT LOCK	1				0.006	0.0132
170	04512-60100	WASHER SPRING	1				0.002	0.0044
180	02118-60100	NUT	1				0.006	0.0132
190	RC108-65480	ROD	1	≤12275			0	0
190	RC108-65482	ROD	1	≥12276	←		0.11	0.242
200	52300-75170	BALL LINK	1				0.1	0.22
210	02118-60100	NUT	2				0.006	0.0132
220	04512-60100	WASHER SPRING	1				0.002	0.0044
230	RB401-65430	COVER SWING	1				0.267	0.5874
240	68151-92180	STOPPER	1				0.01	0.022
250	RC101-65440	PIN SWING COVER	1				0.02	0.044
260	04013-60060	WASHER PLAIN	2				0.001	0.0022
270	05525-60600	PIN SNAP	2				0.001	0.0022

CONTROL LEVER (TPSS)



**CONTROL LEVER (TPSS)**

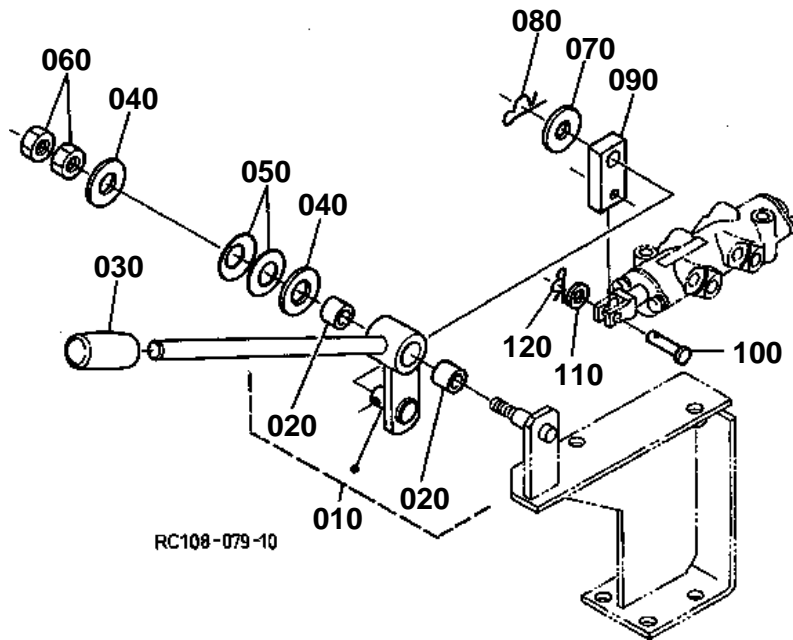
S.NO.A:&lt;=12152

↔ Interchangeable; ≠ not interchangeable; ← new for old; → old for new

REF.No	Part No.	Description	Q'ty	S.No.	I/C	REMARKS	Weight (kgf)	Weight (lb)
010	RD108-96720	BRACKET JD CHANGE	1				0.53	1.166
020	01133-61020	BOLT	3				0.02	0.044
030	68301-96950	BOLT	1				0.02	0.044
040	04512-60100	WASHER SPRING	1				0.002	0.0044
050	RD108-96700	ASSY LEVER(JD)	1				0.2	0.44
060	08511-01220	BUSH	1				0.004	0.0088
070	68311-44290	CAP	1				0.01	0.022
080	04013-60100	WASHER PLAIN	2				0.003	0.0066
090	68721-65740	SPRING PLATE	2				0.002	0.0044
100	02118-60100	NUT	2				0.006	0.0132
110	04013-60100	WASHER PLAIN	1				0.003	0.0066
120	05525-61000	PIN SNAP	1				0.002	0.0044
130	68658-65120	LINK	1				0.1	0.22
140	68191-65610	PIN JOINT	2				0.001	0.0022
150	04012-50050	WASHER PLAIN	2				0.001	0.0022
160	05525-60500	PIN SNAP	2				0.001	0.0022



CONTROL LEVER (TPSS)



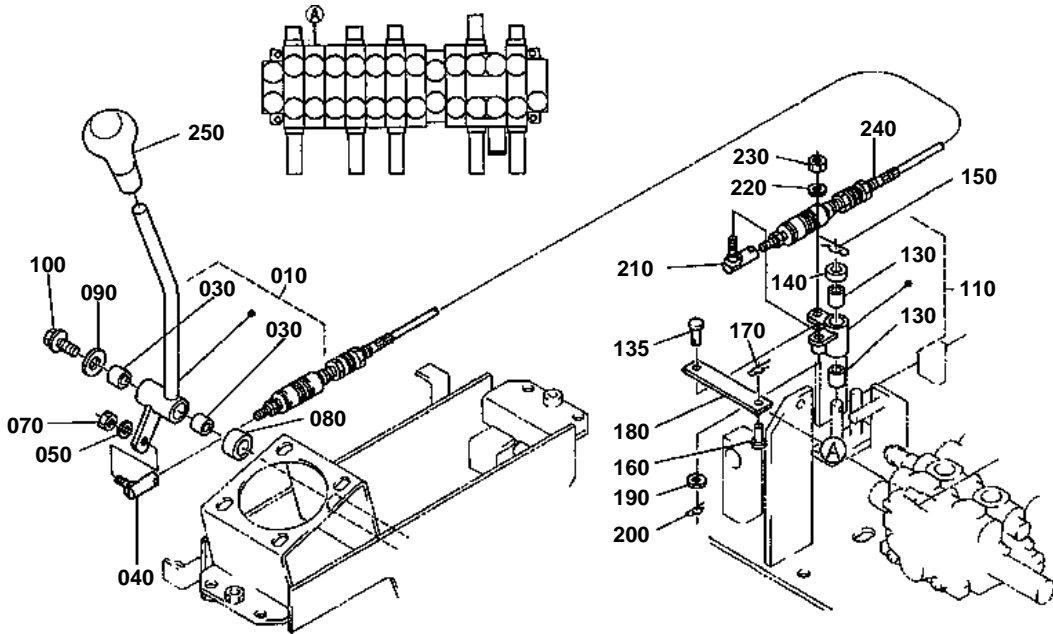
**CONTROL LEVER (TPSS)**

S.NO.A:&gt;=12153

↔ Interchangeable; ≠ not interchangeable; ← new for old; → old for new

REF.No	Part No.	Description	Q'ty	S.No.	I/C	REMARKS	Weight (kgf)	Weight (lb)
010	RC108-96100	ASSY LEVER(TPSS)	1				0.25	0.55
020	08511-01210	BUSH	2				0.005	0.011
030	68311-44290	CAP	1				0.01	0.022
040	04013-60100	WASHER PLAIN	2				0.003	0.0066
050	68721-65740	SPRING PLATE	2				0.002	0.0044
060	02118-60100	NUT	2				0.006	0.0132
070	04013-60100	WASHER PLAIN	1				0.003	0.0066
080	05525-61000	PIN SNAP	1				0.002	0.0044
090	RB208-96820	PLATE	1				0	0
100	68191-65610	PIN JOINT	1				0.001	0.0022
110	04012-50050	WASHER PLAIN	1				0.001	0.0022
120	05525-60500	PIN SNAP	1				0.001	0.0022

CONTROL LEVER (BLADE)



RC401-004-21

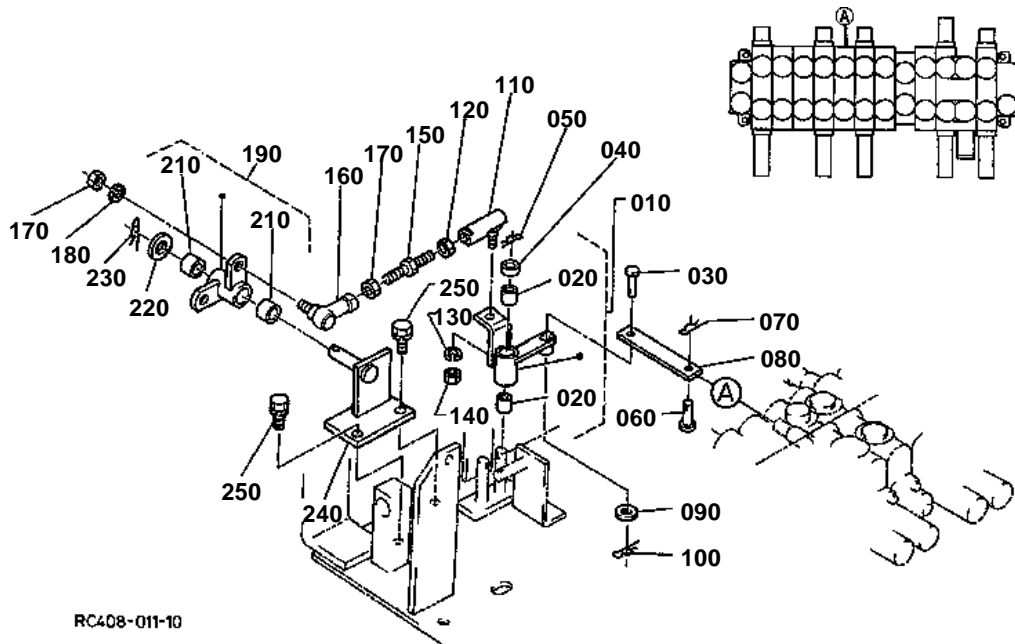


## CONTROL LEVER (BLADE)

↔ Interchangeable; ≠ not interchangeable; ← new for old; → old for new

REF.No	Part No.	Description	Q'ty	S.No.	I/C	REMARKS	Weight (kgf)	Weight (lb)
010	RC101-65082	ASSY LEVER DOZER	1				0.42	0.924
020	99999-99999	BLANK	0				0	0
030	08511-01615	BUSH	2				0.01	0.022
040	68311-65230	JOINT UNIVERSAL	1				0.06	0.132
050	04512-60080	WASHER SPRING	1				0.002	0.0044
060	99999-99999	BLANK	0				0	0
070	02114-60080	NUT	1				0.002	0.0044
080	RC101-65720	COLLAR	1				0.028	0.0616
090	04015-60100	WASHER PLAIN	1				0.015	0.033
100	01135-61020	BOLT	1				0.015	0.033
110	RC101-65073	ASSY LEVER DOZER	1				0.09	0.198
120	99999-99999	BLANK	0				0	0
130	08511-01415	BUSH	2				0.006	0.0132
135	05122-50825	PIN JOINT	1				0.011	0.0242
140	RC101-65680	COLLAR	1				0.008	0.0176
150	05525-51400	PIN SNAP	1				0.005	0.011
160	68021-32790	PIN	1				0.004	0.0088
170	05525-60500	PIN SNAP	1				0.001	0.0022
180	RC101-65660	PLATE	1				0.055	0.121
190	04013-60080	WASHER PLAIN	1				0.002	0.0044
200	05525-50800	PIN SNAP	1				0.001	0.0022
210	68311-65230	JOINT UNIVERSAL	1				0.06	0.132
220	04512-60080	WASHER SPRING	1				0.002	0.0044
230	02114-60080	NUT	1				0.002	0.0044
240	68391-65560	CABLE	1				0.89	1.958
250	56501-17530	GRIP	1				0.042	0.0924

CONTROL LEVER (S/P 1)



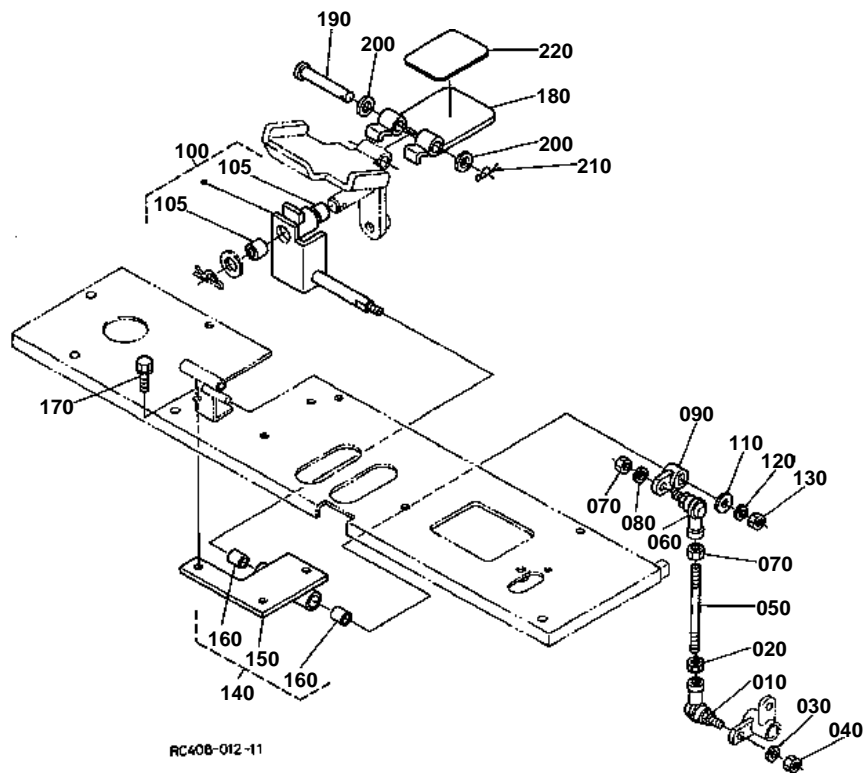
RC408-011-10

**CONTROL LEVER (S/P 1)**

↔ Interchangeable; ≠ not interchangeable; ← new for old; → old for new

REF.No	Part No.	Description	Q'ty	S.No.	I/C	REMARKS	Weight (kgf)	Weight (lb)
010	RC101-92010	ASSY LEVER SP	1				0.15	0.33
020	08511-01415	BUSH	2				0.006	0.0132
030	05122-50825	PIN JOINT	1				0.011	0.0242
040	RC101-65680	COLLAR	1				0.008	0.0176
050	05525-51400	PIN SNAP	1				0.005	0.011
060	68021-32790	PIN	1				0.004	0.0088
070	05525-60500	PIN SNAP	1				0.001	0.0022
080	RC101-65660	PLATE	1				0.055	0.121
090	04013-60080	WASHER PLAIN	1				0.002	0.0044
100	05525-50800	PIN SNAP	1				0.001	0.0022
110	68221-34310	END ROD LH	1				0.096	0.2112
120	68011-32680	NUT LOCK	1				0.006	0.0132
130	04512-60100	WASHER SPRING	1				0.002	0.0044
140	02118-60100	NUT	1				0.006	0.0132
150	68221-34320	ROD ADJUSTING	1				0.045	0.099
160	52300-75170	BALL LINK	1				0.1	0.22
170	02118-60100	NUT	2				0.006	0.0132
180	04512-60100	WASHER SPRING	1				0.002	0.0044
190	RC101-92030	ASSY LEVER SP	1				0.16	0.352
200	99999-99999	BLANK	0				0	0
210	08511-01415	BUSH	2				0.006	0.0132
220	04013-60140	WASHER PLAIN	1				0.01	0.022
230	05525-51400	PIN SNAP	1				0.005	0.011
240	RC101-92182	BRACKET SP	1	≤12023			0.4	0.88
240	RC101-92182	BRACKET SP	1	≥12024	←		0.4	0.88
250	01133-61025	BOLT	2				0.02	0.044

CONTROL LEVER (S/P 2)





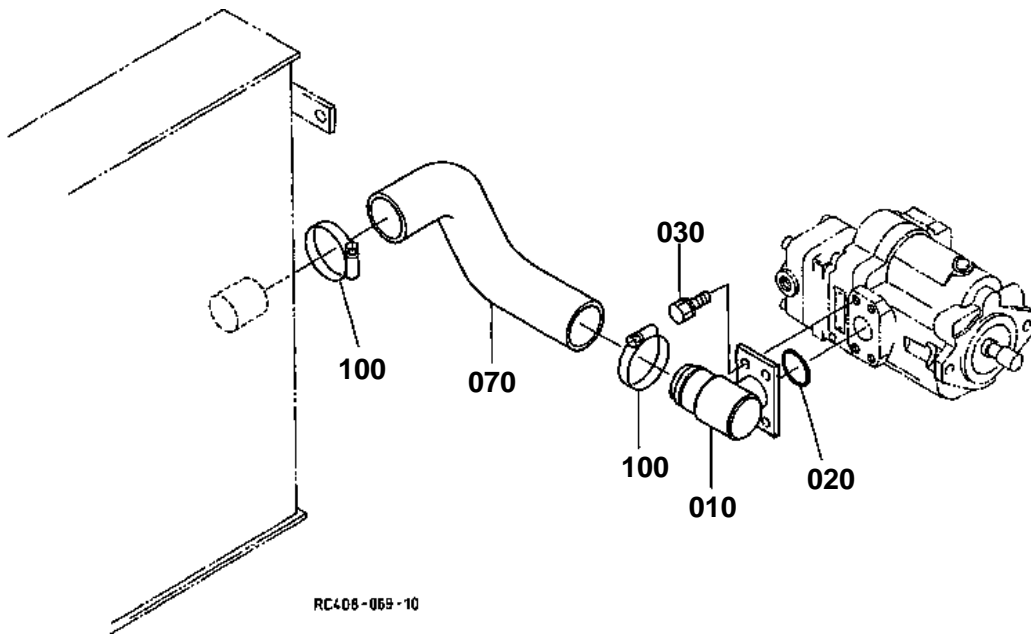
## CONTROL LEVER (S/P 2)

↔ Interchangeable; ≠ not interchangeable; ← new for old; → old for new

REF.No	Part No.	Description	Q'ty	S.No.	I/C	REMARKS	Weight (kgf)	Weight (lb)
010	54721-31720	BALL LINK	1				0.105	0.231
020	68011-32680	NUT LOCK	1				0.006	0.0132
030	04512-60100	WASHER SPRING	1				0.002	0.0044
040	02118-60100	NUT	1				0.006	0.0132
050	68271-65490	ROD CONTROL	1				0.065	0.143
060	52300-75170	BALL LINK	1				0.1	0.22
070	02118-60100	NUT	2				0.006	0.0132
080	04512-60100	WASHER SPRING	1				0.002	0.0044
090	RC101-92160	LEVER SP	1				0.078	0.1716
100	RC108-92020	ASSY LEVER SP	1				0.45	0.99
105	08511-01410	BUSH	2				0.005	0.011
110	04013-60100	WASHER PLAIN	1				0.003	0.0066
120	04512-60100	WASHER SPRING	1				0.002	0.0044
130	02118-60100	NUT	1				0.006	0.0132
140	RC408-92040	ASSY BRACKET SP	1				0.62	1.364
150	RC408-92140	BRACKET SP	1				0.6	1.32
160	08511-01415	BUSH	2				0.006	0.0132
170	01133-61025	BOLT	4				0.02	0.044
180	RB401-92170	PEDAL SP	1				0.22	0.484
190	05122-51075	PIN JOINT	1				0.046	0.1012
200	04011-50100	WASHER PLAIN	2				0.002	0.0044
210	05525-61000	PIN SNAP	1				0.002	0.0044
220	RB401-92250	STOPPER	1				0.002	0.0044



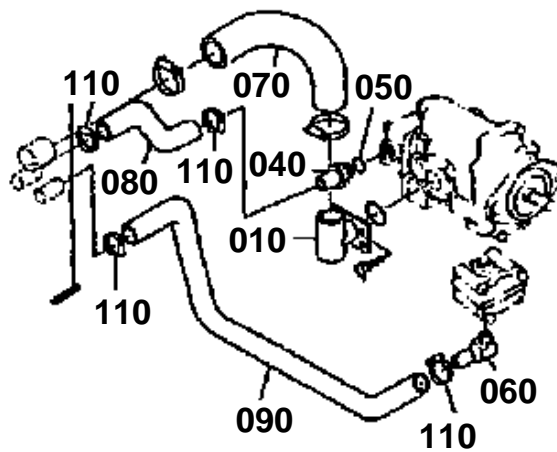
OIL PIPING (SUCTION)



OIL PIPING (SUCTION)

---

- 010 RC401-6312-0
- 040 RC401-6314-0
- 050 04810-00240
- 060 69254-6317-0
- 070 RC401-6311-0
- 080 RC401-6313-0
- 090 RC401-6315-0
- 110 68311-7282-0



RC408-811-10

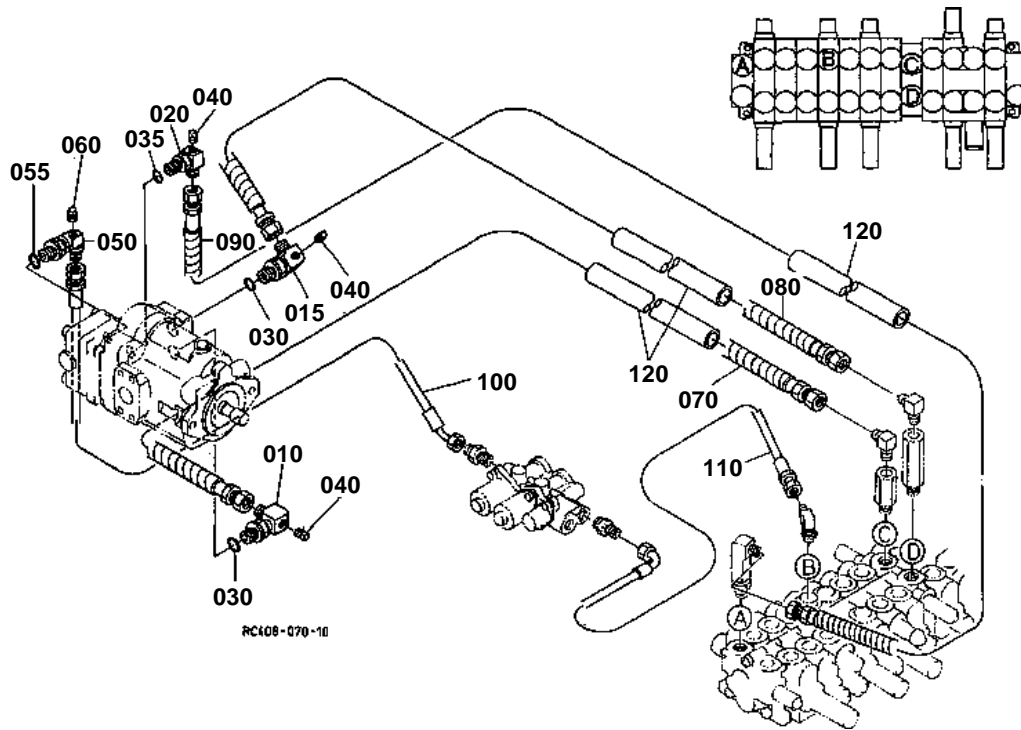


## OIL PIPING (SUCTION)

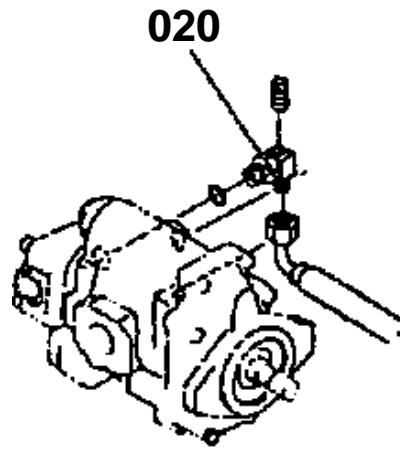
↔ Interchangeable; ≠ not interchangeable; ← new for old; → old for new

REF.No	Part No.	Description	Q'ty	S.No.	I/C	REMARKS	Weight (kgf)	Weight (lb)
010	RC401-63123	FLANGE SUCTION	1			<=DEC.98	0.56	1.232
010	RC401-63123	FLANGE SUCTION	1		←	>=JAN.99	0.56	1.232
020	04811-10400	O RING	1				0.001	0.0022
030	01133-61020	BOLT	4				0.02	0.044
040	RC401-63140	JOINT PIPE(F-)	1			<=DEC.98	0.169	0.3718
050	04810-00240	O RING	1			<=DEC.98	0	0
060	69254-63170	JOINT SUCTION PIPE	1			<=DEC.98	0.15	0.33
070	RC401-63110	HOSE SUCTION	1			<=DEC.98	0.41	0.902
070	RC401-63160	HOSE SUCTION	1		≠	>=JAN.99	0.49	1.078
080	RC401-63130	HOSE SUCTION	1			<=DEC.98	0.16	0.352
090	RC401-63150	HOSE SUCTION	1			<=DEC.98	0.6	1.32
100	RC401-63190	CLAMP HOSE	2				0.04	0.088
110	68311-72820	CLAMP HOSE	4			<=DEC.98	0.03	0.066

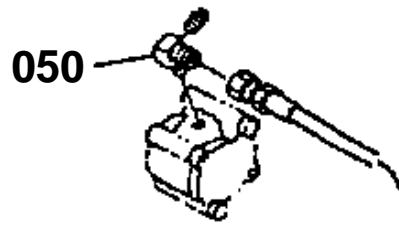
# OIL PIPING (DELIVERY)



020 RC401-6383-0



050 69254-6193-0



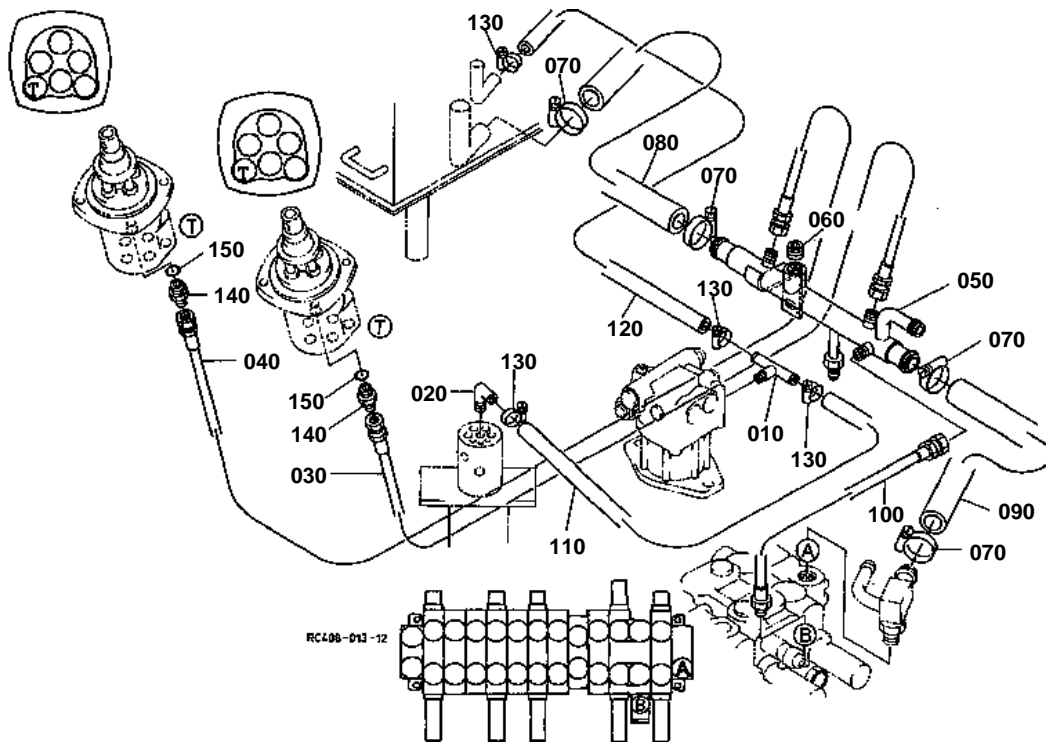
RC408-812-10

**OIL PIPING (DELIVERY)**

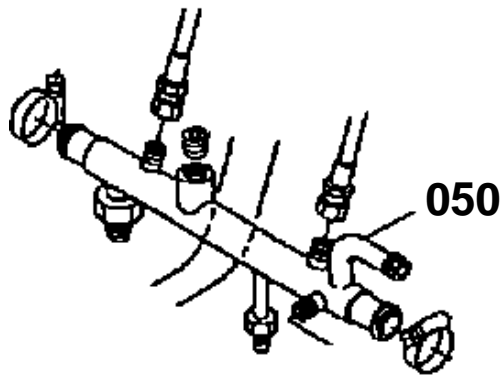
↔ Interchangeable; ≠ not interchangeable; ← new for old; → old for new

REF.No	Part No.	Description	Q'ty	S.No.	I/C	REMARKS	Weight (kgf)	Weight (lb)
010	RC401-63860	PIPE JOINT ELBOW	1				0.258	0.5676
015	RC401-63850	PIPE JOINT ELBOW	1				0.26	0.572
020	RC401-63830	PIPE JOINT ELBOW	1				0.19	0.418
020	RP401-61820	JOINT	1		≠	<=DEC.98 >=JAN.99	0.099	0.2178
030	04810-00180	O RING	3			<=DEC.98	0	0
030	04810-00180	O RING	2			>=JAN.99	0	0
035	04810-00140	O RING	1			>=JAN.99	0	0
040	06312-10010	PLUG	3				0.007	0.0154
050	69254-61930	JOINT PIPE(LF/-T/)	1			<=DEC.98	0.1	0.22
050	RC401-63180	JOINT PIPE	1		≠	>=JAN.99	0	0
050	RC401-63182	JOINT PIPE	1		≠		0.1	0.22
055	04810-00140	O RING	1			>=JAN.99	0	0
060	06312-10010	PLUG	1				0.007	0.0154
070	RC401-63215	HOSE HYDRAULIC	1			<=DEC.98	1.2	2.64
070	RC401-63216	HOSE HYDRAULIC	1		≠	>=JAN.99	1.4	3.08
080	RC401-63224	HOSE HYDRAULIC	1				1.3	2.86
090	RC401-63230	HOSE HYDRAULIC	1				2	4.4
100	RC101-63240	HOSE HYDRAULIC	1			<=DEC.98	0.08	0.176
100	RC401-63250	HOSE HYDRAULIC	1		≠	>=JAN.99	0.17	0.374
110	RC101-63250	HOSE HYDRAULIC	1				0.25	0.55
120	68721-64380	TUBE PROTECTOR	3				0.03	0.066

# OIL PIPING (RETURN)



050 RC301-6333-0



RC408-813-10



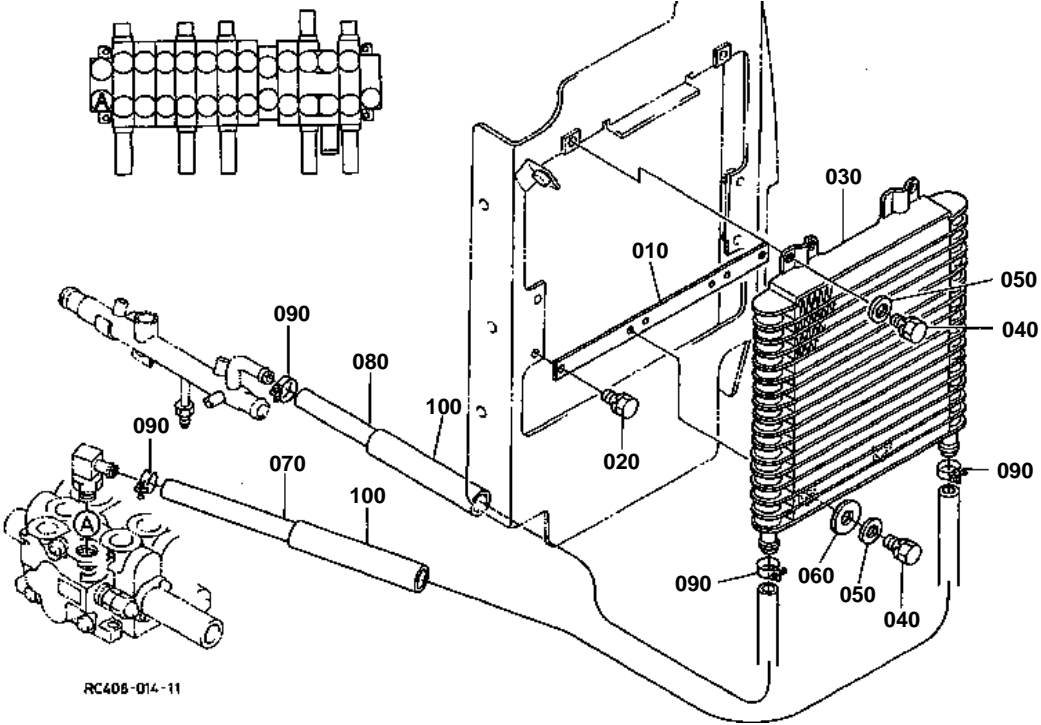


**OIL PIPING (RETURN)**

↔ Interchangeable; ≠ not interchangeable; ← new for old; → old for new

REF.No	Part No.	Description	Q'ty	S.No.	I/C	REMARKS	Weight (kgf)	Weight (lb)
010	68171-63552	T JOINT PIPE(T-)	1				0.001	0.0022
020	RD401-63980	JOINT PIPE	1				0.048	0.1056
030	RC101-63582	HOSE HYDRAULIC	1			KTA	0.2	0.44
030	RC101-96580	HOSE HYDRAULIC	1			KTC KCL	0.3	0.66
040	RC101-63593	HOSE HYDRAULIC	1				0.2	0.44
050	RC301-63330	PIPE RETURN	1			<=DEC.98	1	2.2
050	RC401-63320	PIPE RETURN	1		≠	>=JAN.99	0	0
060	68551-11150	PLUG	1				0.025	0.055
070	68311-72820	CLAMP HOSE	4				0.03	0.066
080	RC301-63340	HOSE	1				0.6	1.32
090	RC401-63350	HOSE	1				0.25	0.55
100	RC301-63070	HOSE HYDRAULIC(F-R)	1				0.1	0.22
110	RC301-63610	HOSE RETURN	1				0.11	0.242
120	RC301-63620	HOSE RETURN	1				0.09	0.198
130	68311-72810	CLAMP HOSE	4	<=11939			0.02	0.044
130	RB101-63630	CLAMP HOSE	4	>=11940	↔		0.015	0.033
140	68728-76150	ADAPTER	2				0.02	0.044
150	04810-00110	O RING	2				0	0

OIL PIPING (OIL COOLER)



RC408-014-11

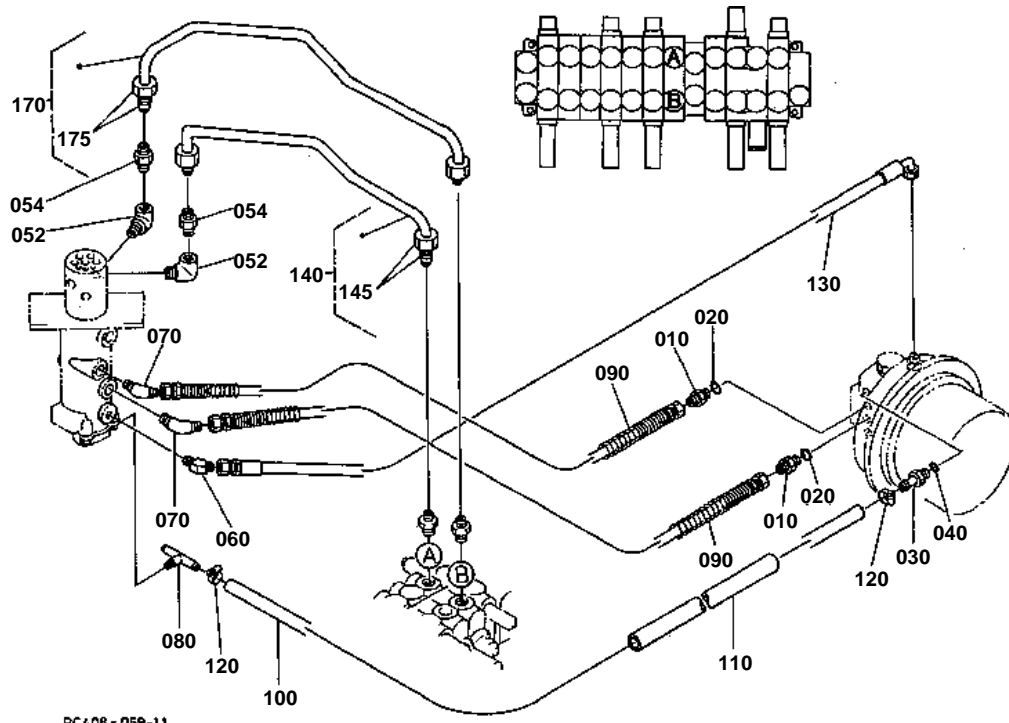


## OIL PIPING (OIL COOLER)

↔ Interchangeable; ≠ not interchangeable; ← new for old; → old for new

REF.No	Part No.	Description	Q'ty	S.No.	I/C	REMARKS	Weight (kgf)	Weight (lb)
010	RC301-42390	STAY	1				0.2	0.44
020	01123-60814	BOLT	2				0.01	0.022
030	69284-64110	COOLER OIL	1				1.6	3.52
040	01202-60614	BOLT	4				0.006	0.0132
050	04013-60060	WASHER PLAIN	4				0.001	0.0022
060	04015-60060	WASHER PLAIN	2				0.005	0.011
070	RC401-63650	HOSE	1				0.36	0.792
080	RC401-63660	HOSE	1				0.17	0.374
090	09318-89024	CLAMP HOSE	4				0.02	0.044
100	68721-64380	TUBE PROTECTOR	2				0.03	0.066

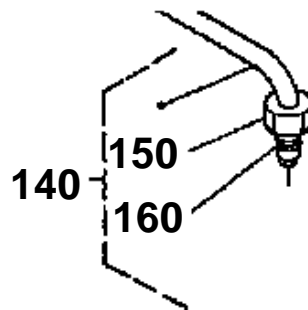
OIL PIPING (TRAVEL LH)



RC408 - 059-11

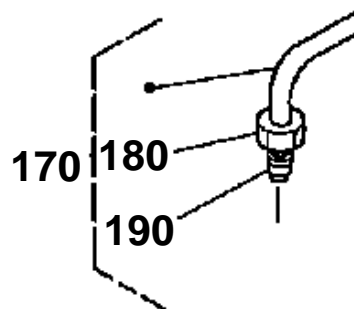
150 68741-6847-0

160 68741-6849-0



180 68741-6847-0

190 68741-6849-0



RC408-804-10

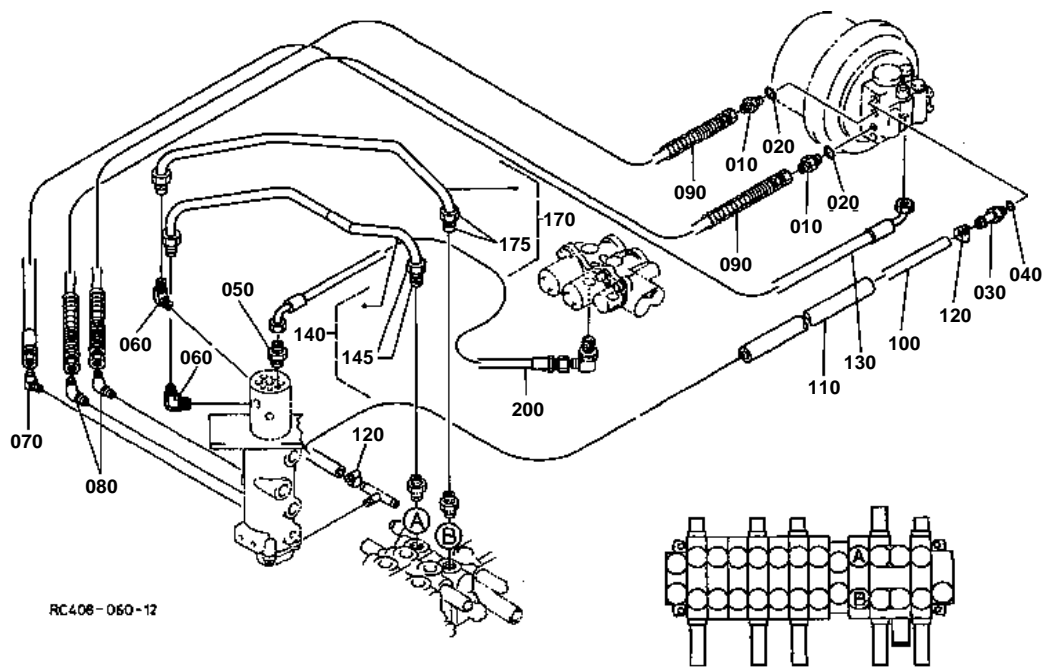


OIL PIPING (TRAVEL LH)

↔ Interchangeable; ≠ not interchangeable; ← new for old; → old for new

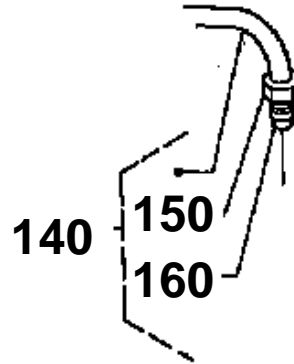
REF.No	Part No.	Description	Q'ty	S.No.	I/C	REMARKS	Weight (kgf)	Weight (lb)
010	RC401-61620	ADAPTER	2				0.06	0.132
020	04810-00180	O RING	2				0	0
030	RC101-63970	JOINT PIPE(F-)	1				0.04	0.088
040	04810-00110	O RING	1				0	0
050	99999-99999	BLANK	0				0	0
052	90217-71170	ADAPTER	2				0.2	0.44
054	68741-68440	BODY	2				0.08	0.176
060	68171-76440	ADAPTER	1				0.03	0.066
070	68131-61750	ELBOW	2				0.11	0.242
080	68171-63552	T JOINT PIPE(T-)	1	≤12522			0.001	0.0022
080	68171-63552	TEE ADAPTER	1	≥12523	↔		0.001	0.0022
090	RC401-64450	HOSE HYDRAULIC	2				1	2.2
100	RC401-64480	HOSE	1				0.23	0.506
110	68311-63730	TUBE	1				0.11	0.242
120	68311-72810	CLAMP HOSE	2	≤11939			0.02	0.044
120	RB101-63630	CLAMP HOSE	2	≥11940	↔		0.015	0.033
130	RC401-64470	HOSE HYDRAULIC	1	≤12222			0.3	0.66
130	RC601-64420	HOSE HYDRAULIC	1	≥12223	↔		0.26	0.572
140	RC401-64912	PIPE HYDRAULIC	1				0	0
145	R1401-68160	JOINT PIPE	2	≥12440			0.06	0.132
150	68741-68470	NUT	2	≤12439			0	0
160	68741-68490	SLEEVE	2	≤12439			0	0
170	RC401-64923	PIPE HYDRAULIC	1	≤12439			0.73	1.606
170	RC401-64926	PIPE HYDRAULIC	1	≥12440	≠		0.4	0.88
175	R1401-68160	JOINT PIPE	2	≥12440			0.06	0.132
180	68741-68470	NUT	2	≤12439			0	0
190	68741-68490	SLEEVE	2	≤12439			0	0

OIL PIPING (TRAVEL RH)



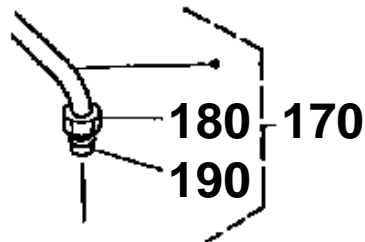
150 68741-6847-0

160 68741-6849-0



180 68741-6847-0

190 68741-6849-0



RC408-805-10

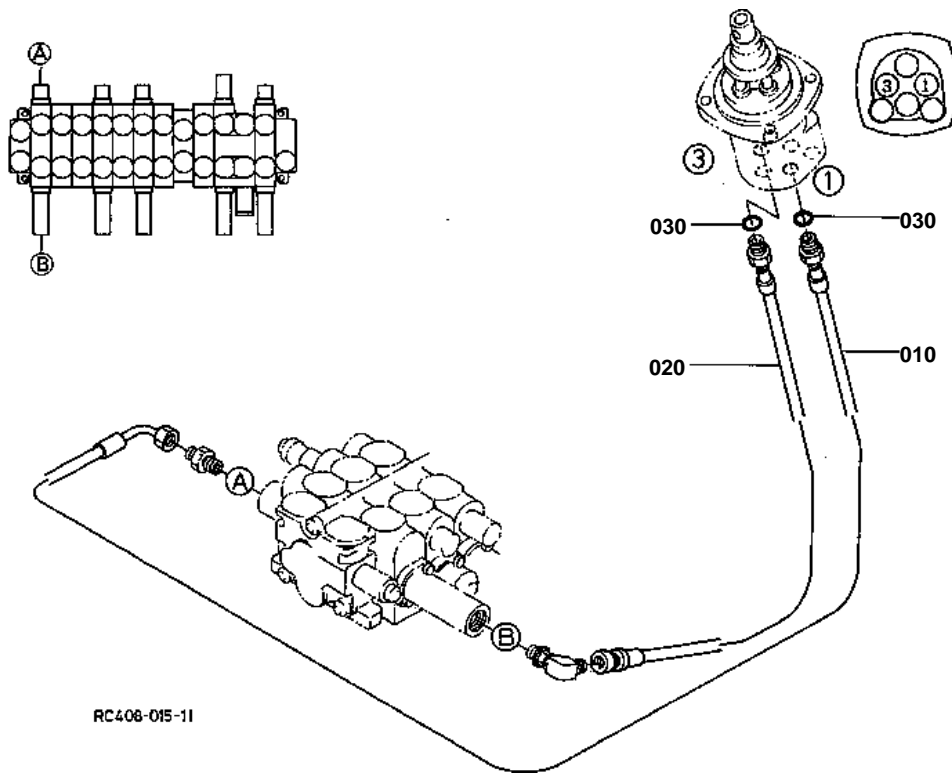


**OIL PIPING (TRAVEL RH)**

↔ Interchangeable; ≠ not interchangeable; ← new for old; → old for new

REF.No	Part No.	Description	Q'ty	S.No.	I/C	REMARKS	Weight (kgf)	Weight (lb)
010	RC401-61620	ADAPTER	2				0.06	0.132
020	04810-00180	O RING	2				0	0
030	RC101-63970	JOINT PIPE(F-)	1				0.04	0.088
040	04810-00110	O RING	1				0	0
050	68551-63410	ADAPTER	1				0.016	0.0352
060	68741-68450	BODY	2	<=12499			0.19	0.418
060	R1401-68430	JOINT	2	>=12500	↔		0.13	0.286
070	68171-76440	ADAPTER	1				0.03	0.066
080	68131-61750	ELBOW	2				0.11	0.242
090	RC401-64450	HOSE HYDRAULIC	2				1	2.2
100	RC401-64480	HOSE	1				0.23	0.506
110	68311-63730	TUBE	1				0.11	0.242
120	68311-72810	CLAMP HOSE	2	<=11939			0.02	0.044
120	RB101-63630	CLAMP HOSE	2	>=11940	↔		0.015	0.033
130	RC401-64470	HOSE HYDRAULIC	1	<=12222			0.3	0.66
130	RC601-64420	HOSE HYDRAULIC	1	>=12223	↔		0.26	0.572
140	RC401-64930	PIPE HYDRAULIC	1	<=11894			0	0
140	RC401-64932	PIPE HYDRAULIC	1	>=11895	←		0	0
145	R1401-68160	JOINT PIPE	2	>=12440			0.06	0.132
150	68741-68470	NUT	2	<=12439			0	0
160	68741-68490	SLEEVE	2	<=12439			0	0
170	RC401-64940	PIPE HYDRAULIC	1				0.61	1.342
175	R1401-68160	JOINT PIPE	2	>=12440			0.06	0.132
180	68741-68470	NUT	2	<=12439			0	0
190	68741-68490	SLEEVE	2	<=12439			0	0
200	RC101-63510	HOSE HYDRAULIC	1				0.1	0.22

OIL PIPING (SWIVEL 1)



RC408-015-11

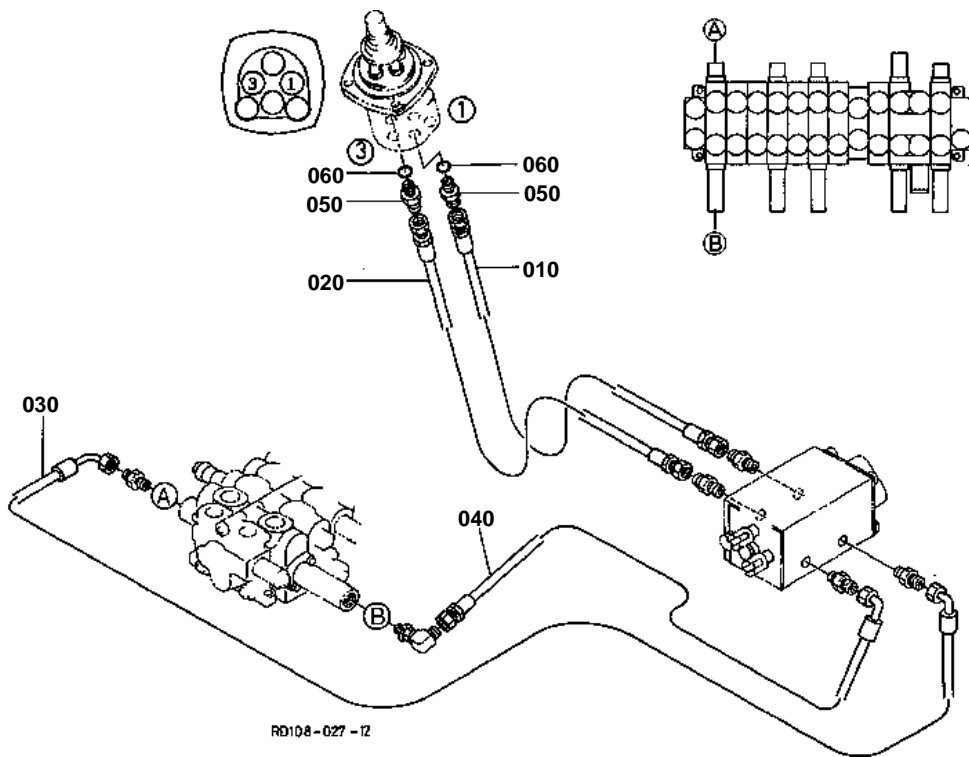


## OIL PIPING (SWIVEL 1)

↔ Interchangeable; ≠ not interchangeable; ← new for old; → old for new

REF.No	Part No.	Description	Q'ty	S.No.	I/C	REMARKS	Weight (kgf)	Weight (lb)
010	RC101-63564	HOSE HYDRAULIC	1	≤12422			0.32	0.704
010	RC101-63564	HOSE HYDRAULIC	1	≥12423	←		0.32	0.704
020	RC101-63573	HOSE HYDRAULIC	1	≤12422			0.27	0.594
020	RC101-63573	HOSE HYDRAULIC	1	≥12423	←		0.27	0.594
030	04810-00110	O RING	2				0	0

# OIL PIPING (SWIVEL 1)



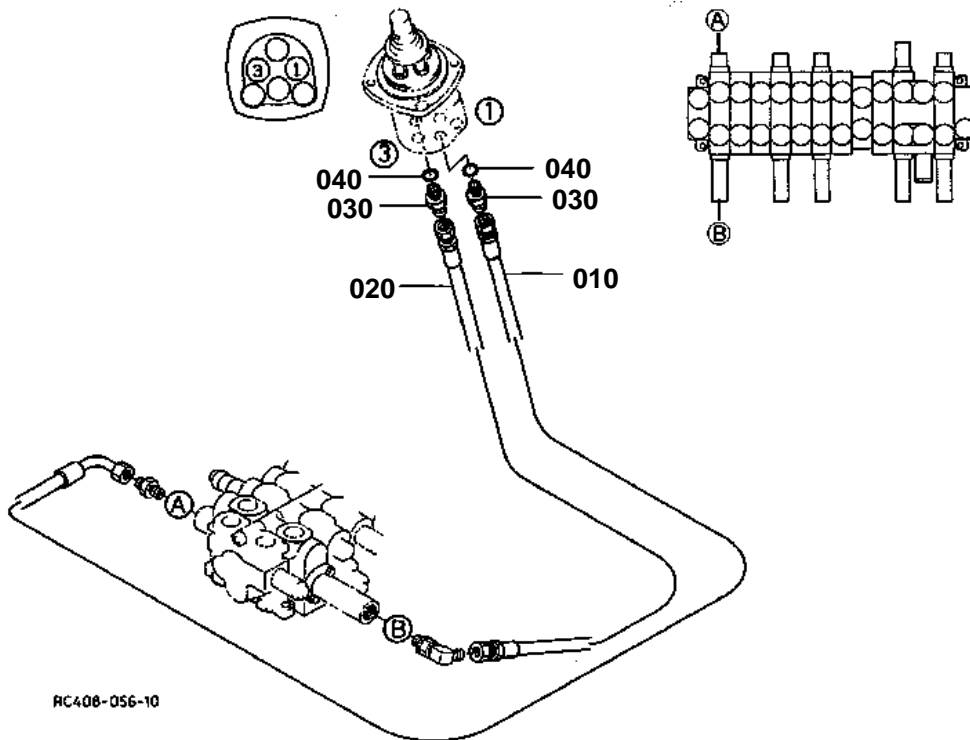


**OIL PIPING (SWIVEL 1)**  
S.NO.A:<=12152

↔ Interchangeable; ≠ not interchangeable; ← new for old; → old for new

REF.No	Part No.	Description	Q'ty	S.No.	I/C	REMARKS	Weight (kgf)	Weight (lb)
010	RC101-96433	HOSE HYDRAULIC	1				0.2	0.44
020	RC101-96443	HOSE HYDRAULIC	1				0.21	0.462
030	RC101-96370	HOSE HYDRAULIC	1				0.22	0.484
040	RC101-96380	HOSE HYDRAULIC	1				0.18	0.396
050	68728-76150	ADAPTER	2				0.02	0.044
060	04810-00110	O RING	2				0	0

OIL PIPING (SWIVEL 1)



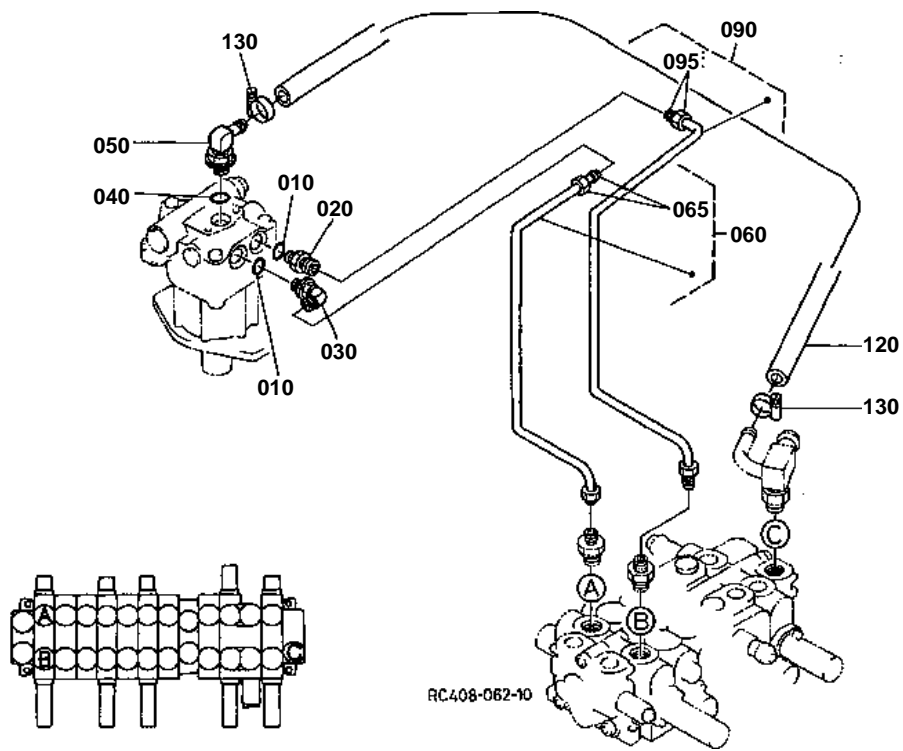


**OIL PIPING (SWIVEL 1)**  
S.NO.A:>=12153

↔ Interchangeable; ≠ not interchangeable; ← new for old; → old for new

REF.No	Part No.	Description	Q'ty	S.No.	I/C	REMARKS	Weight (kgf)	Weight (lb)
010	RC108-96430	HOSE HYDRAULIC	1				0.3	0.66
020	RC108-96440	HOSE HYDRAULIC	1				0.24	0.528
030	68728-76150	ADAPTER	2				0.02	0.044
040	04810-00110	O RING	2				0	0

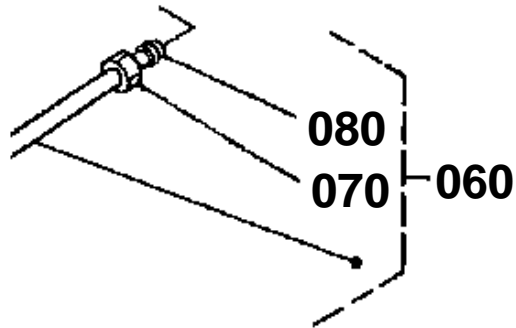
# OIL PIPING (SWIVEL 2)





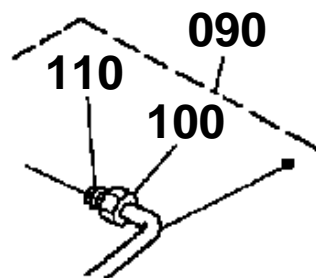
070 68741-6846-0

080 68741-6848-0



100 68741-6846-0

110 68741-6848-0



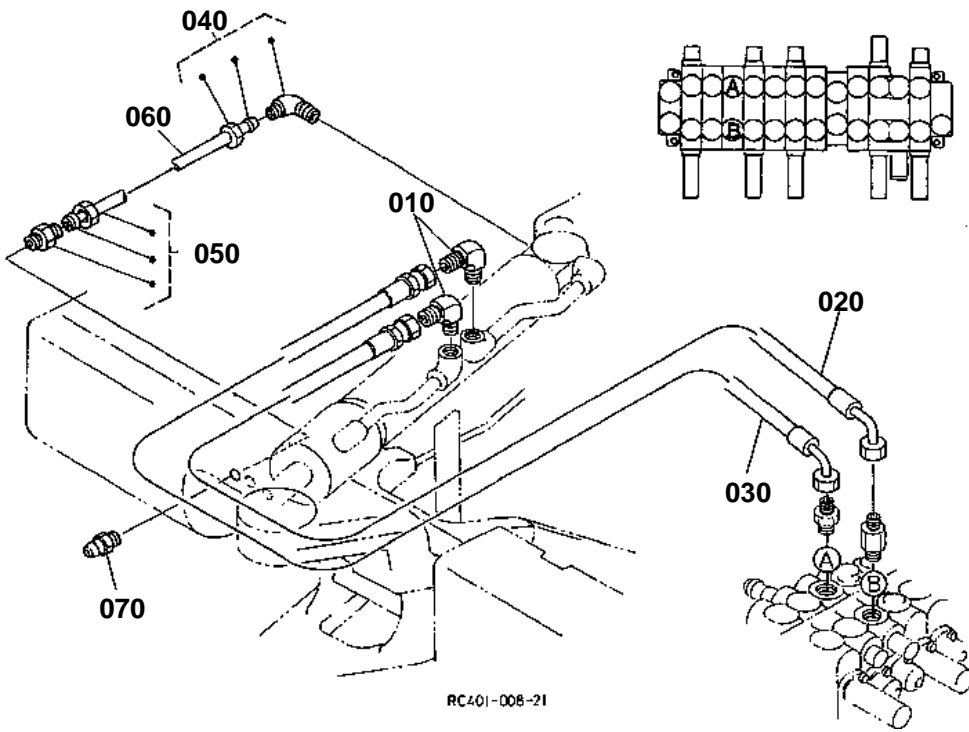
RC408-806-10

**OIL PIPING (SWIVEL 2)**

↔ Interchangeable; ≠ not interchangeable; ← new for old; → old for new

REF.No	Part No.	Description	Q'ty	S.No.	I/C	REMARKS	Weight (kgf)	Weight (lb)
010	04810-00140	O RING	2				0	0
020	06012-71231	BODY	1	<=12439			0.05	0.11
020	06012-71231	JOINT PIPE	1	>=12440	↔		0.05	0.11
020	06012-51232	JOINT PIPE	1	>=12500	↔		0.05	0.11
030	68551-34840	ELBOW BODY	1	<=12139			0.093	0.2046
030	RD401-63920	JOINT	1	>=12140	↔		0.091	0.2002
040	04810-00180	O RING	1				0	0
050	68391-68220	JOINT PIPE(LF/-)	1				0.18	0.396
050	RC401-63800	JOINT	1		←		0.19	0.418
060	RC301-64550	PIPE HYDRAULIC	1				0	0
065	06020-31202	JOINT PIPE	2	>=12440			0.025	0.055
070	68741-68460	NUT	2	<=12439			0	0
080	68741-68480	SLEEVE	2	<=12439			0	0
090	RC301-64560	PIPE HYDRAULIC	1				0.4	0.88
095	06020-31202	JOINT PIPE	2	>=12440			0.025	0.055
100	68741-68460	NUT	2	<=12439			0	0
110	68741-68480	SLEEVE	2	<=12439			0	0
120	RC301-64530	HOSE	1				0.2	0.44
130	68311-72810	CLAMP HOSE	2				0.02	0.044

OIL PIPING (SWING)



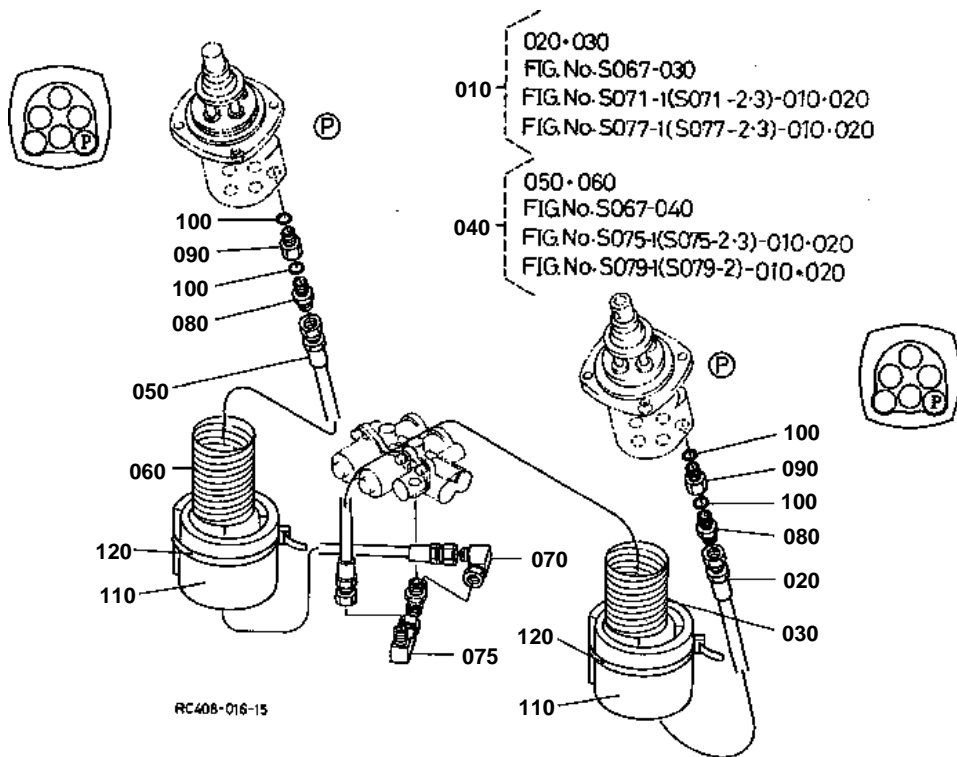


## OIL PIPING (SWING)

↔ Interchangeable; ≠ not interchangeable; ← new for old; → old for new

REF.No	Part No.	Description	Q'ty	S.No.	I/C	REMARKS	Weight (kgf)	Weight (lb)
010	54611-35510	ADAPTER	2	<=12301			0	0
010	68331-63230	ELBOW ADAPTER	2	>=12302	↔		0	0
010	06114-52021	JOINT	2	>=12440	↔		0.05	0.11
020	RC301-64610	HOSE HYDRAULIC	1				0.2	0.44
030	RC301-64620	HOSE HYDRAULIC	1				0.2	0.44
040	68721-67390	CONNECTOR	1				0.035	0.077
050	68721-67480	CONNECTOR	1				0.02	0.044
060	68493-19210	TUBE NYLON	1				0.05	0.11
070	06611-15010	NIPPLE GREASE	1				0.01	0.022

OIL PIPING (LOCK)

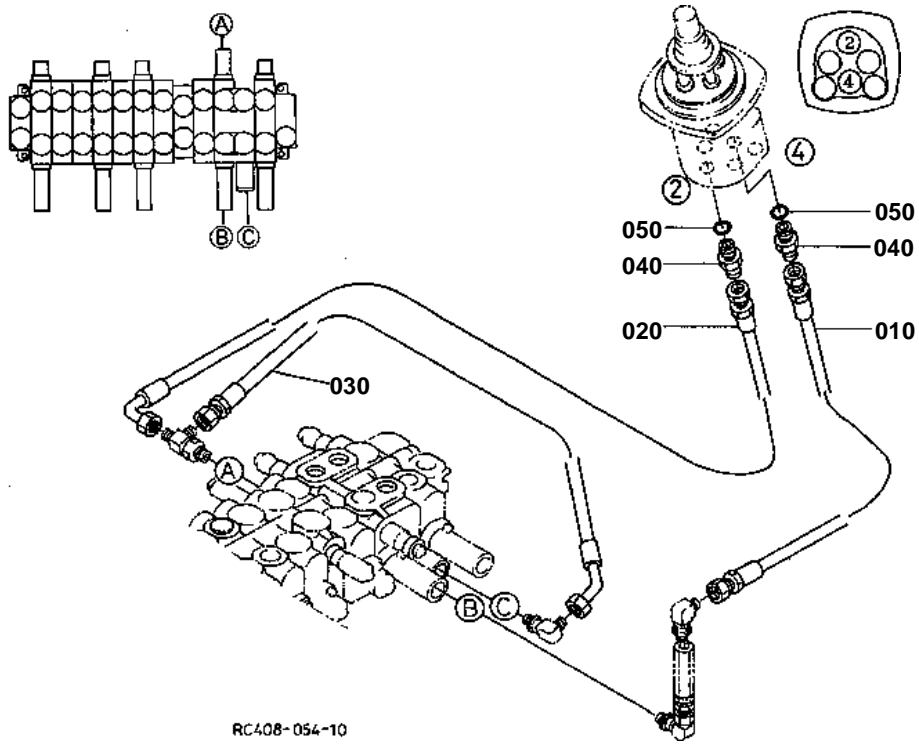


**OIL PIPING (LOCK)**

↔ Interchangeable; ≠ not interchangeable; ← new for old; → old for new

REF.No	Part No.	Description	Q'ty	S.No.	I/C	REMARKS	Weight (kgf)	Weight (lb)
010	RC101-63406	ASSY HOSE PILOT LH	1	≤12422		KTA	0	0
010	RC101-63407	ASSY HOSE PILOT LH	1	≥12423	←	KTA	0	0
010	RC101-63605	ASSY MULTI LH	1	≤12152		KTC KCL	1.8	3.96
010	RC108-63602	ASSY HOSE TPSS LH	1	≥12153	≠	KTC KCL	0	0
020	RC101-63264	HOSE HYDRAULIC	1			KTA	0.3	0.66
020	RC101-96260	HOSE HYDRAULIC	1			KTC KCL	0.3	0.66
030	RC101-63782	TUBE SPIRAL	1				0.15	0.33
040	RC101-63507	ASSY HOSE PILOT RH	1			KTA	0	0
040	RC101-63705	ASSY MULTI RH	1	≤12152		KTC KCL	1.7	3.74
040	RC108-63702	ASSY HOSE TPSS RH	1	≥12153	≠	KTC KCL	0	0
050	RC101-63274	HOSE HYDRAULIC	1				0.2	0.44
060	RC101-63792	TUBE SPIRAL	1				0.09	0.198
070	RC101-63180	JOINT	1				0.1	0.22
075	RC101-63160	JOINT	1				0.1	0.22
080	68728-76150	ADAPTER	2				0.02	0.044
090	68499-83740	FILTER	2				0.04	0.088
100	04810-00110	O RING	4				0	0
110	RC101-44880	SPONGE SEAL	2				0.019	0.0418
120	55311-41260	BAND CORD	2				0.007	0.0154

OIL PIPING (BOOM 1)





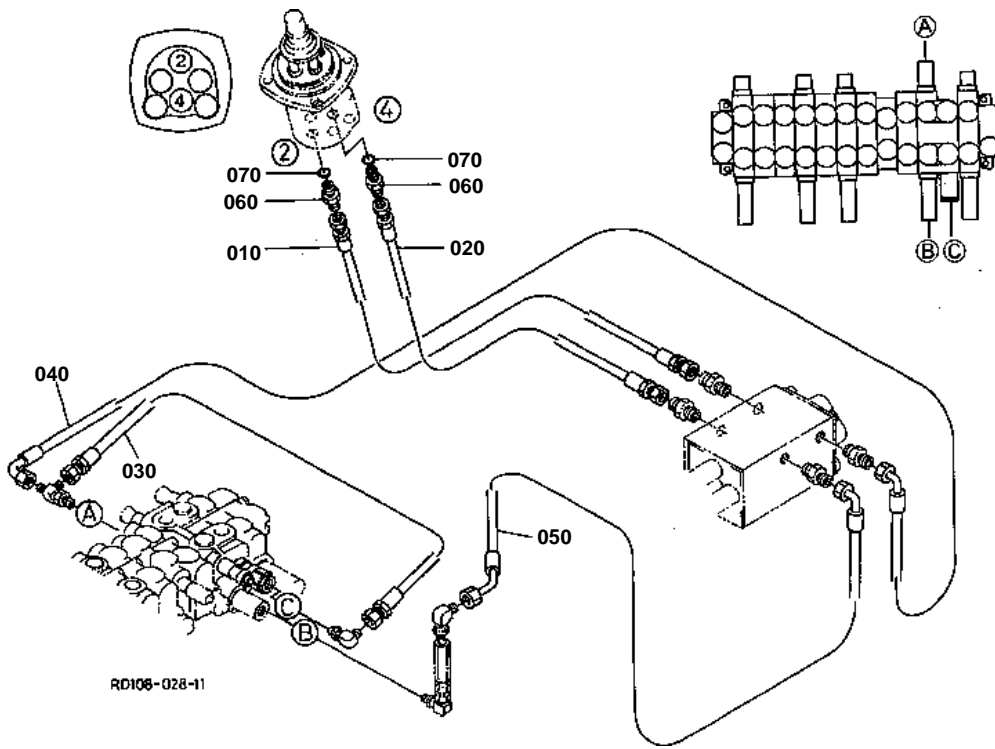
## OIL PIPING (BOOM 1)

↔ Interchangeable; ≠ not interchangeable; ← new for old; → old for new

REF.No	Part No.	Description	Q'ty	S.No.	I/C	REMARKS	Weight (kgf)	Weight (lb)
010	RC101-63412	HOSE HYDRAULIC	1				0.2	0.44
020	RC101-63433	HOSE HYDRAULIC	1				0.2	0.44
030	RC101-63440	HOSE HYDRAULIC	1				0.19	0.418
040	68728-76150	ADAPTER	2				0.02	0.044
050	04810-00110	O RING	2				0	0



OIL PIPING (BOOM 1)



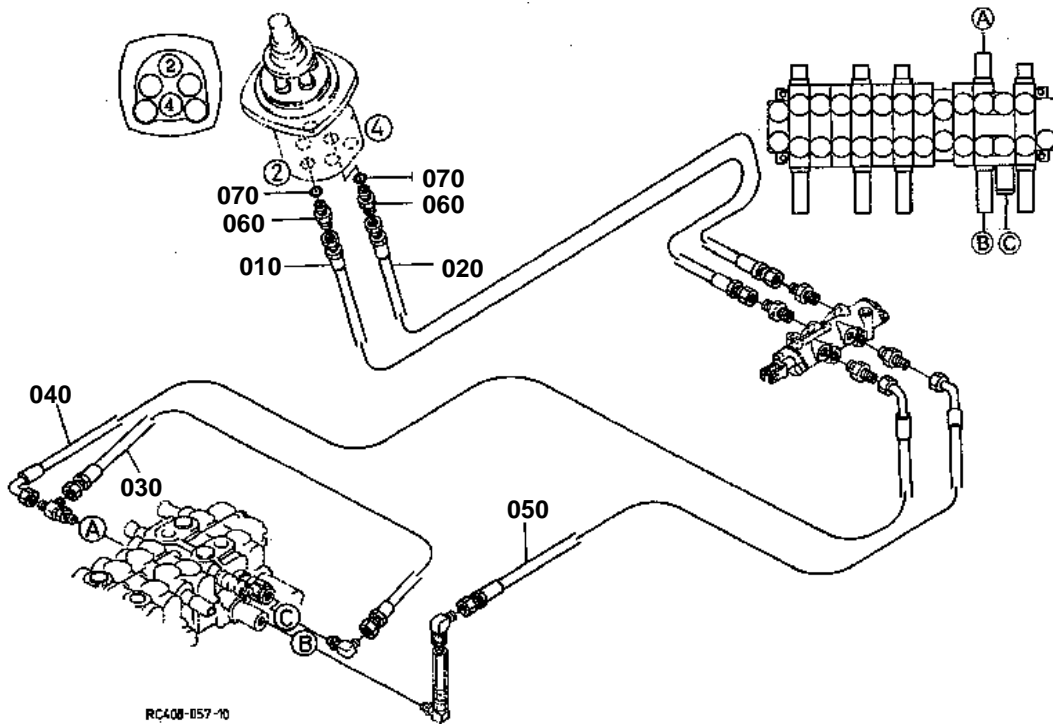


**OIL PIPING (BOOM 1)**  
S.NO.A:<=12152

↔ Interchangeable; ≠ not interchangeable; ← new for old; → old for new

REF.No	Part No.	Description	Q'ty	S.No.	I/C	REMARKS	Weight (kgf)	Weight (lb)
010	RC101-96453	HOSE HYDRAULIC	1				0.2	0.44
020	RC101-96463	HOSE HYDRAULIC	1				0.2	0.44
030	RC101-63440	HOSE HYDRAULIC	1				0.19	0.418
040	RC401-96314	HOSE HYDRAULIC	1				0.17	0.374
050	RC401-96320	HOSE HYDRAULIC	1				0.13	0.286
060	68728-76150	ADAPTER	2				0.02	0.044
070	04810-00110	O RING	2				0	0

OIL PIPING (BOOM 1)



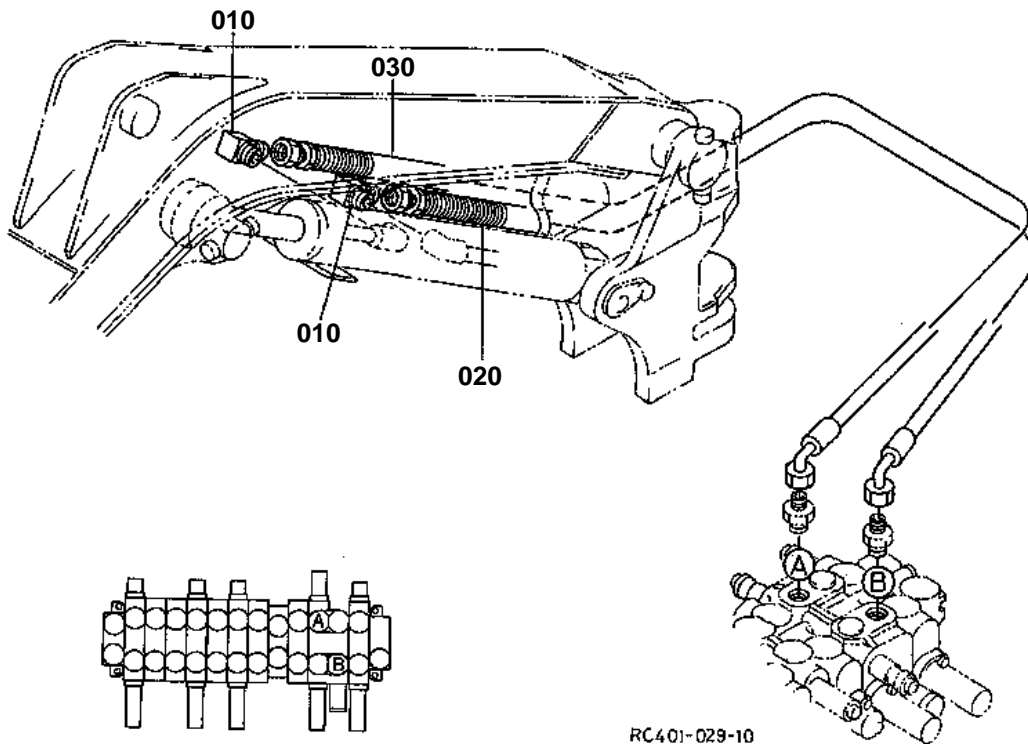


**OIL PIPING (BOOM 1)**  
S.NO.A:>=12153

↔ Interchangeable; ≠ not interchangeable; ← new for old; → old for new

REF.No	Part No.	Description	Q'ty	S.No.	I/C	REMARKS	Weight (kgf)	Weight (lb)
010	RC108-96450	HOSE HYDRAULIC	1				0.19	0.418
020	RC101-96463	HOSE HYDRAULIC	1				0.2	0.44
030	RC101-63440	HOSE HYDRAULIC	1				0.19	0.418
040	RC108-96310	HOSE HYDRAULIC	1				0.15	0.33
050	RC408-96320	HOSE HYDRAULIC	1				0.13	0.286
060	68728-76150	ADAPTER	2				0.02	0.044
070	04810-00110	O RING	2				0	0

OIL PIPING (BOOM 2)



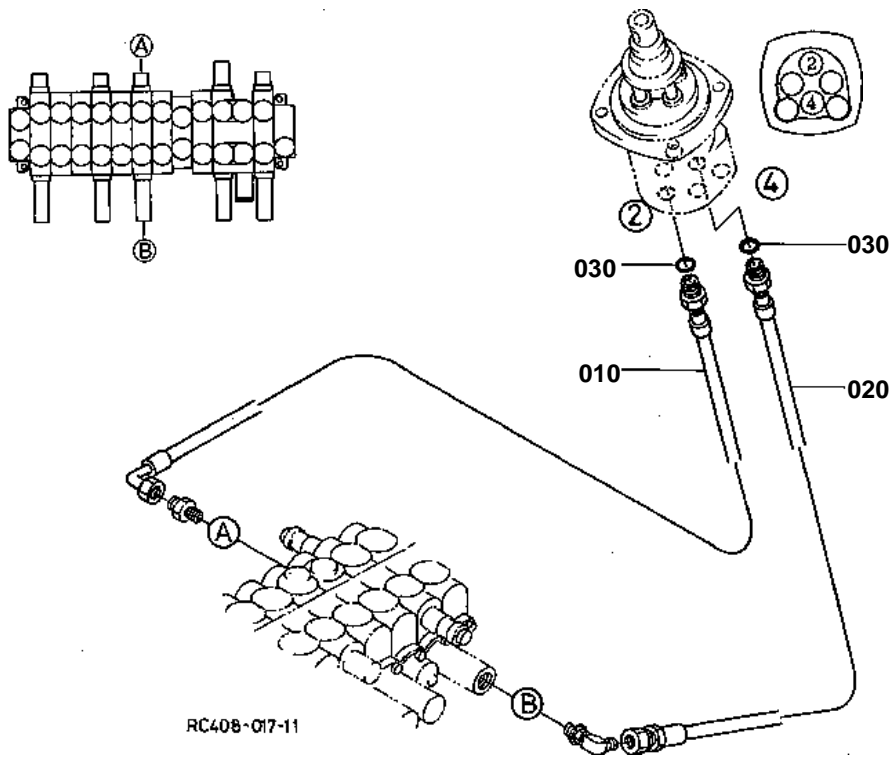


## OIL PIPING (BOOM 2)

↔ Interchangeable; ≠ not interchangeable; ← new for old; → old for new

REF.No	Part No.	Description	Q'ty	S.No.	I/C	REMARKS	Weight (kgf)	Weight (lb)
010	06114-54041	ELBOW ADAPTER	2	<=12301			0.15	0.33
010	68841-64130	ADAPTER	2	>=12302	↔		0.15	0.33
020	RC301-64110	HOSE HYDRAULIC	1				0.8	1.76
030	RC301-64120	HOSE HYDRAULIC	1	<=11747			1.5	3.3
030	RC408-64120	HOSE HYDRAULIC	1	>=11748	←		2.37	5.214

OIL PIPING (ARM 1)





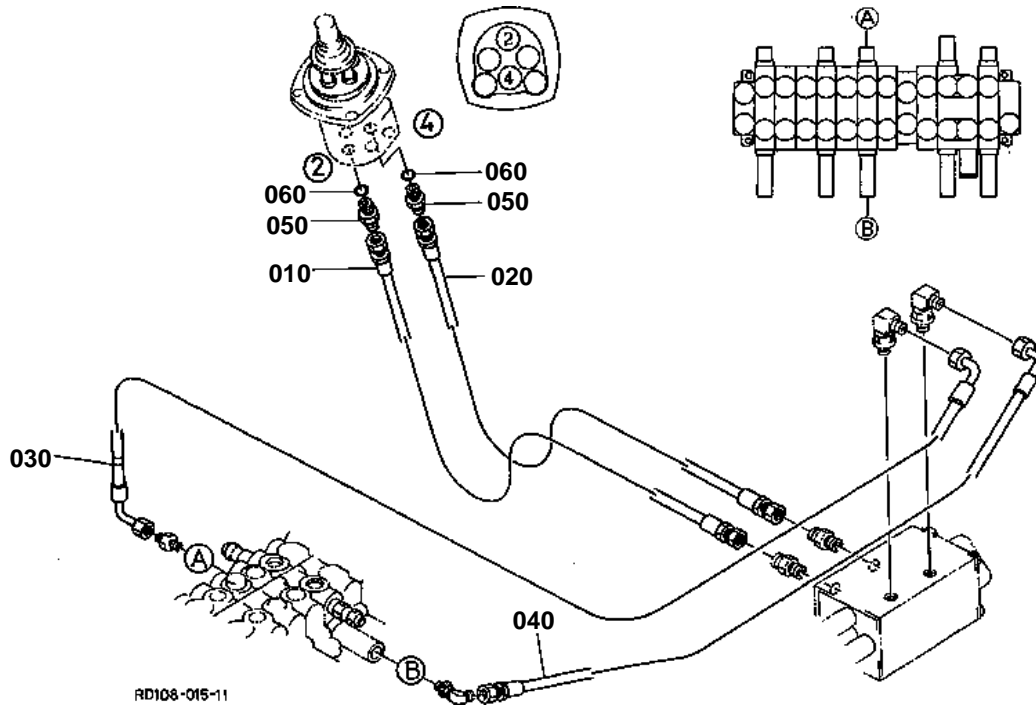
## OIL PIPING (ARM 1)

↔ Interchangeable; ≠ not interchangeable; ← new for old; → old for new

REF.No	Part No.	Description	Q'ty	S.No.	I/C	REMARKS	Weight (kgf)	Weight (lb)
010	RC101-63543	HOSE HYDRAULIC	1	<=12422			0.24	0.528
010	RC101-63543	HOSE HYDRAULIC	1	>=12423	←		0.24	0.528
020	RC101-63554	HOSE HYDRAULIC	1	<=12422			0.26	0.572
020	RC101-63554	HOSE HYDRAULIC	1	>=12423	←		0.26	0.572
030	04810-00110	O RING	2				0	0



OIL PIPING (ARM 1)



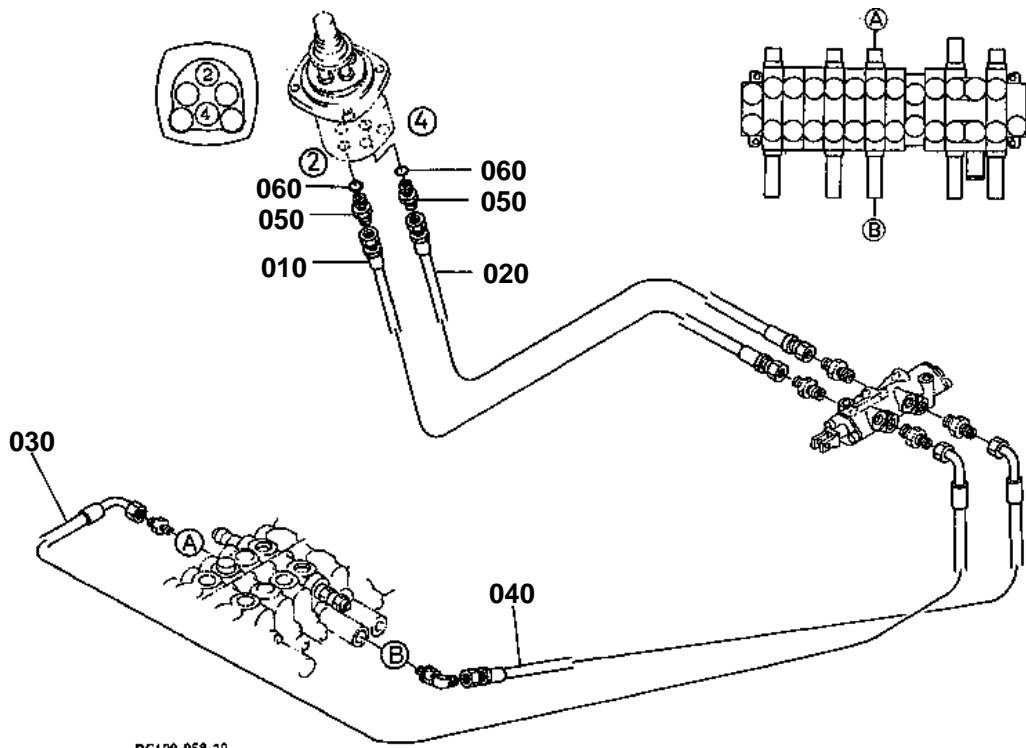


**OIL PIPING (ARM 1)**  
S.NO.A:<=12152

↔ Interchangeable; ≠ not interchangeable; ← new for old; → old for new

REF.No	Part No.	Description	Q'ty	S.No.	I/C	REMARKS	Weight (kgf)	Weight (lb)
010	RC101-96413	HOSE HYDRAULIC	1				0.21	0.462
020	RC101-96423	HOSE HYDRAULIC	1				0.15	0.33
030	RC401-96354	HOSE HYDRAULIC	1				0.224	0.4928
040	RC101-96364	HOSE HYDRAULIC	1				0.176	0.3872
050	68728-76150	ADAPTER	2				0.02	0.044
060	04810-00110	O RING	2				0	0

OIL PIPING (ARM 1)



RC406-058-10

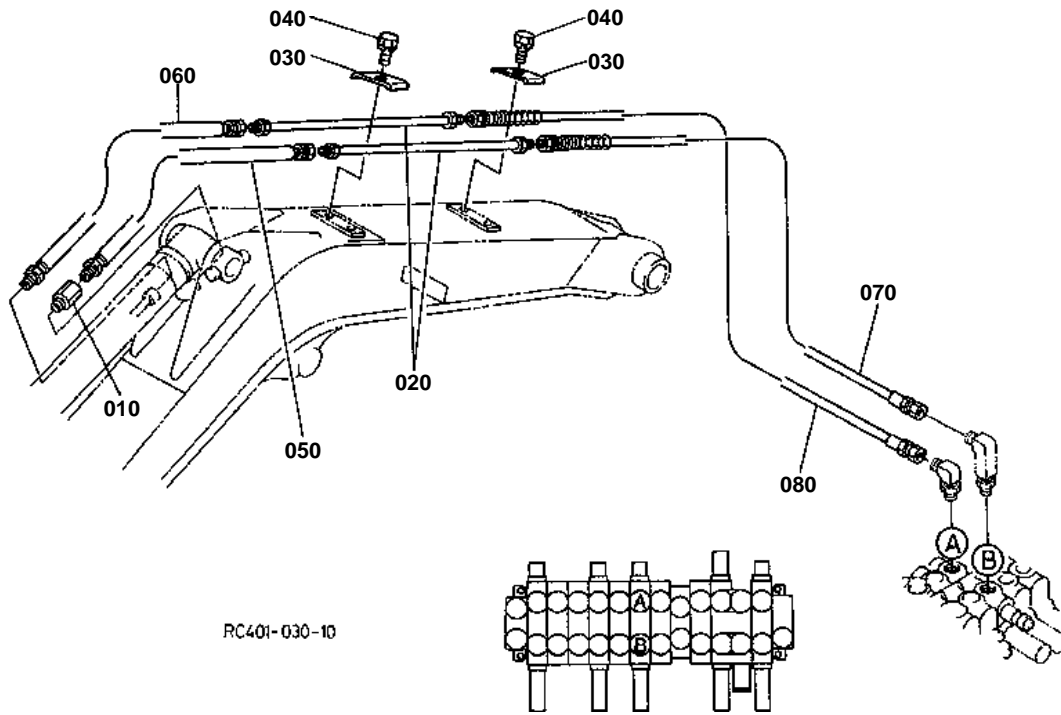


**OIL PIPING (ARM 1)**  
S.NO.A:>=12153

↔ Interchangeable; ≠ not interchangeable; ← new for old; → old for new

REF.No	Part No.	Description	Q'ty	S.No.	I/C	REMARKS	Weight (kgf)	Weight (lb)
010	RC108-96410	HOSE HYDRAULIC	1				0.2	0.44
020	RC108-96420	HOSE HYDRAULIC	1				0.2	0.44
030	RC401-96354	HOSE HYDRAULIC	1				0.224	0.4928
040	RC408-96390	HOSE HYDRAULIC	1				0.15	0.33
050	68728-76150	ADAPTER	2				0.02	0.044
060	04810-00110	O RING	2				0	0

OIL PIPING (ARM 2)



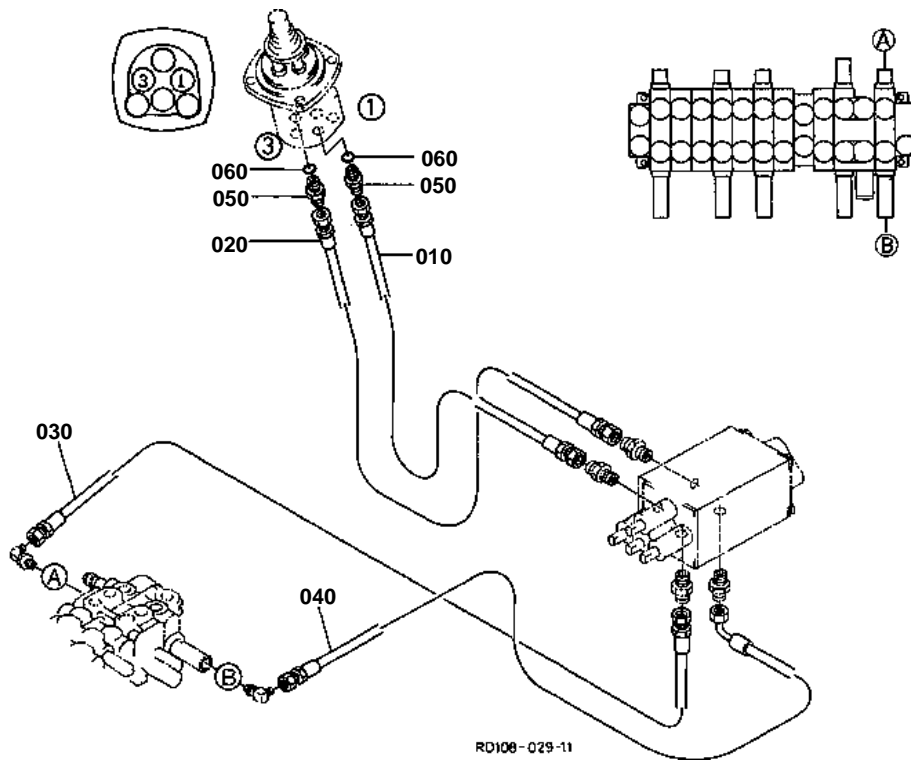


## OIL PIPING (ARM 2)

↔ Interchangeable; ≠ not interchangeable; ← new for old; → old for new

REF.No	Part No.	Description	Q'ty	S.No.	I/C	REMARKS	Weight (kgf)	Weight (lb)
010	68271-64140	ADAPTER	1				0.26	0.572
020	68318-68620	PIPE HYDRAULIC	2				0.28	0.616
030	68318-68750	CLAMP	2				0.09	0.198
040	01133-61030	BOLT	2				0.023	0.0506
050	RC201-64250	HOSE HYDRAULIC	1				0.25	0.55
060	RC201-64260	HOSE HYDRAULIC	1				0.3	0.66
070	RC301-64210	HOSE HYDRAULIC	1				0.1	0.22
080	RC301-64220	HOSE HYDRAULIC	1				1	2.2

OIL PIPING (BUCKET 1)





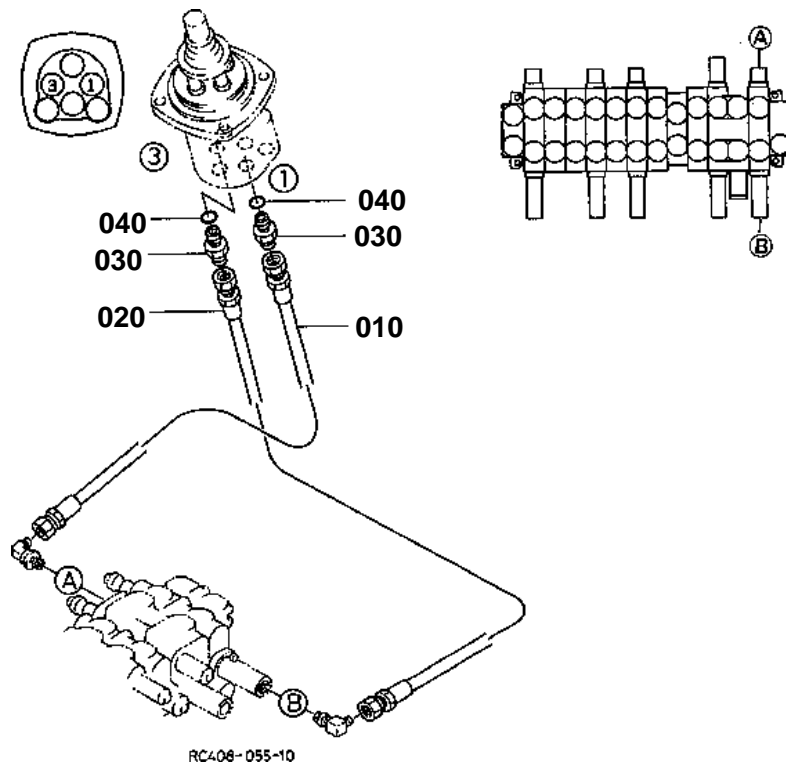
**OIL PIPING (BUCKET 1)**  
S.NO.A:<=12152

↔ Interchangeable; ≠ not interchangeable; ← new for old; → old for new

REF.No	Part No.	Description	Q'ty	S.No.	I/C	REMARKS	Weight (kgf)	Weight (lb)
010	RC101-96473	HOSE HYDRAULIC	1				0.2	0.44
020	RC101-96483	HOSE HYDRAULIC	1				0.2	0.44
030	RC101-96330	HOSE HYDRAULIC	1				0.14	0.308
040	RC401-96340	HOSE HYDRAULIC	1				0.13	0.286
050	68728-76150	ADAPTER	2				0.02	0.044
060	04810-00110	O RING	2				0	0



OIL PIPING (BUCKET 1)



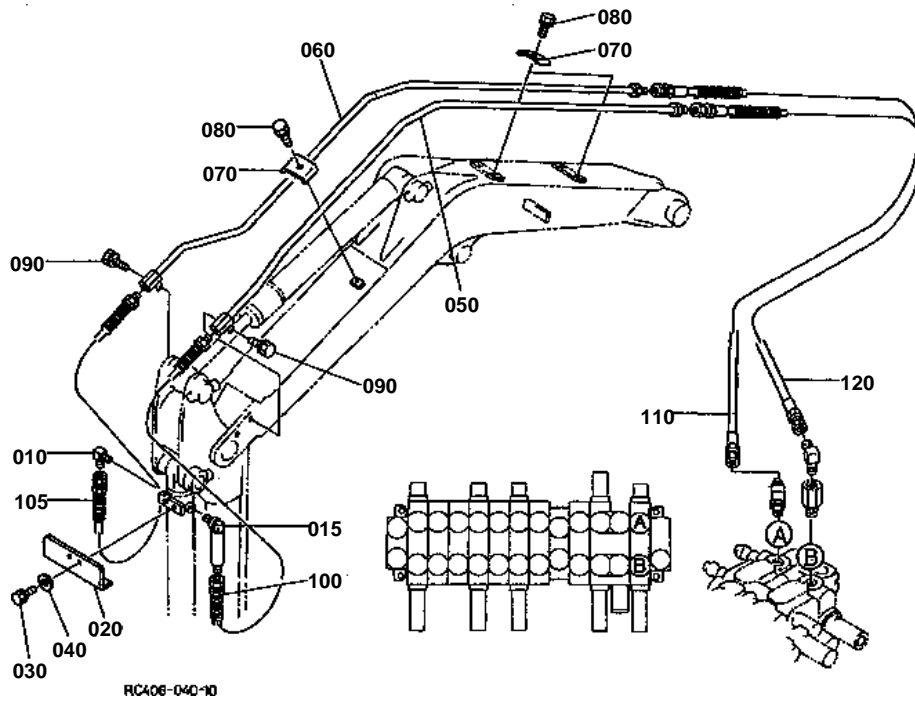


**OIL PIPING (BUCKET 1)**  
[KTA]S.NO.A:>=10001,[KTC KCL]S.NO.A:>=12153

↔ Interchangeable; ≠ not interchangeable; ← new for old; → old for new

REF.No	Part No.	Description	Q'ty	S.No.	I/C	REMARKS	Weight (kgf)	Weight (lb)
010	RC101-63473	HOSE HYDRAULIC	1				0.2	0.44
020	RC101-63482	HOSE HYDRAULIC	1				0.18	0.396
030	68728-76150	ADAPTER	2				0.02	0.044
040	04810-00110	O RING	2				0	0

OIL PIPING (BUCKET 2)

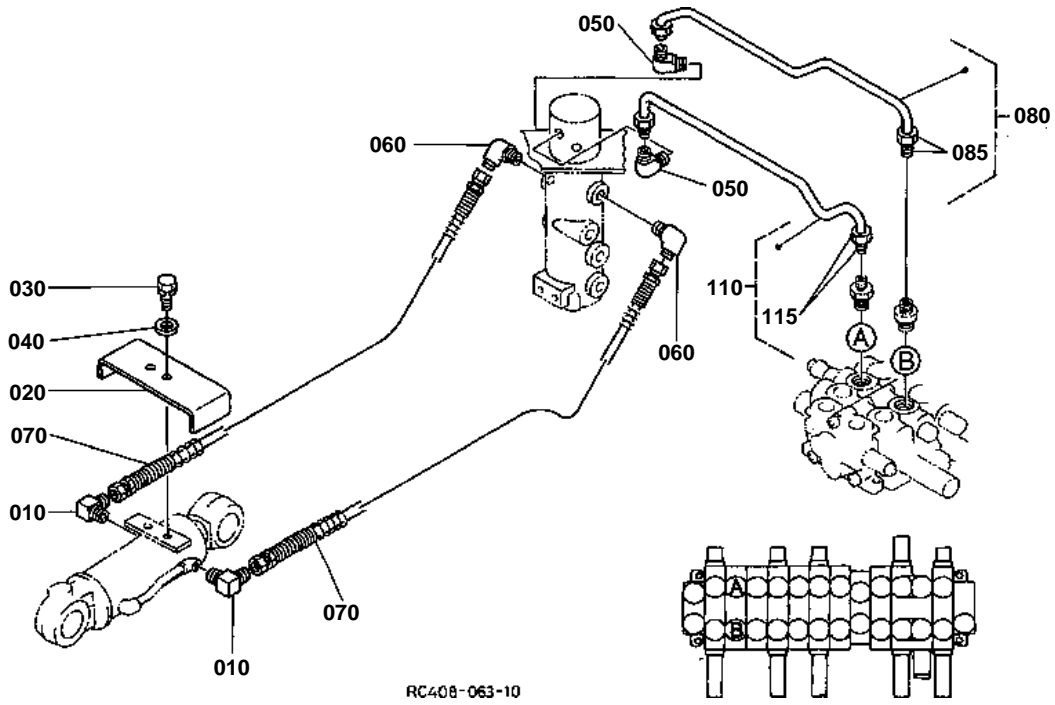


**OIL PIPING (BUCKET 2)**

↔ Interchangeable; ≠ not interchangeable; ← new for old; → old for new

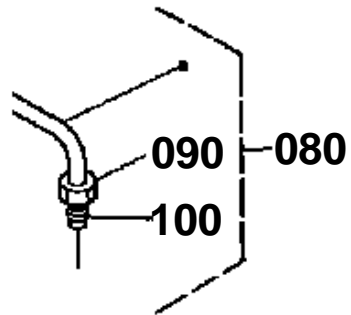
REF.No	Part No.	Description	Q'ty	S.No.	I/C	REMARKS	Weight (kgf)	Weight (lb)
010	68841-64130	ADAPTER	1				0.15	0.33
015	68591-68550	ELBOW ADAPTER	1	<=12375			0.248	0.5456
015	RC408-92740	JOINT	1	>=12376	←		0.25	0.55
020	RC108-92932	PROTECTOR	1				0.8	1.76
030	01133-61220	BOLT	2				0.033	0.0726
040	04013-60120	WASHER PLAIN	2				0.01	0.022
050	RC408-68810	PIPE HYDRAULIC	1				1.5	3.3
060	RC408-68820	PIPE HYDRAULIC	1				1.5	3.3
070	68318-68750	CLAMP	3				0.09	0.198
080	01133-61030	BOLT	3				0.023	0.0506
090	01133-61020	BOLT	2				0.02	0.044
100	RC401-64350	HOSE HYDRAULIC	1				0.9	1.98
100	RC401-95130	HOSE HYDRAULIC	1			LONG ARM	1.1	2.42
105	RC401-64360	HOSE HYDRAULIC	1				1	2.2
105	RC401-95130	HOSE HYDRAULIC	1			LONG ARM	1.1	2.42
110	RC301-64313	HOSE HYDRAULIC	1	<=12375			1.2	2.64
110	RC301-64313	HOSE HYDRAULIC	1	>=12376	←		1.2	2.64
120	RC301-64324	HOSE HYDRAULIC	1	<=12375			1.1	2.42
120	RC301-64324	HOSE HYDRAULIC	1	>=12376	←		1.1	2.42

OIL PIPING (BLADE)



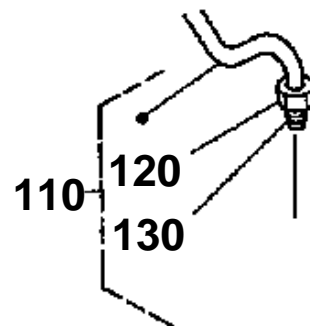
090 68741-6846-0

100 68741-6848-0



120 68741-6846-0

130 68741-6848-0



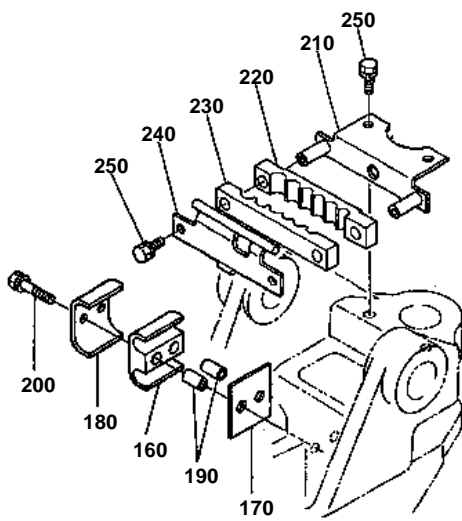
RC408-807-10

**OIL PIPING (BLADE)**

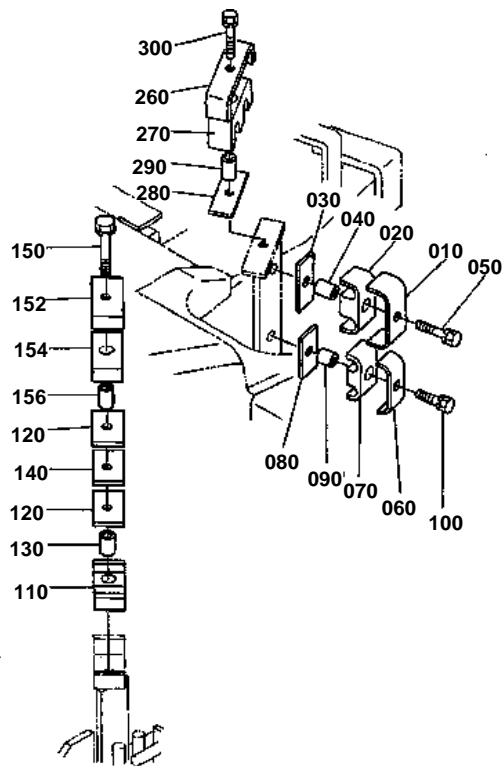
↔ Interchangeable; ≠ not interchangeable; ← new for old; → old for new

REF.No	Part No.	Description	Q'ty	S.No.	I/C	REMARKS	Weight (kgf)	Weight (lb)
010	68499-83710	ADAPTER	2				0.08	0.176
020	68318-75210	COVER	1				0.91	2.002
030	01133-61220	BOLT	2				0.033	0.0726
040	04013-60120	WASHER PLAIN	2				0.01	0.022
050	68131-63170	ELBOW BODY	2	<=12439			0	0
050	06014-51233	JOINT	2	>=12440	↔		0.07	0.154
050	06014-51232	JOINT	2	>=12500	↔		0.05	0.11
060	06114-53032	JOINT CYLINDER	2				0.09	0.198
070	RC401-64730	HOSE HYDRAULIC	2				0.7	1.54
080	RC301-64750	PIPE HYDRAULIC	1				0	0
085	06020-31202	JOINT PIPE	2	>=12440			0.025	0.055
090	68741-68460	NUT	2	<=12439			0	0
100	68741-68480	SLEEVE	2	<=12439			0	0
110	RC301-64760	PIPE HYDRAULIC	1				0.29	0.638
115	06020-31202	JOINT PIPE	2	>=12440			0.025	0.055
120	68741-68460	NUT	2	<=12439			0	0
130	68741-68480	SLEEVE	2	<=12439			0	0

# OIL PIPING (CLAMP)



RC108-083-10



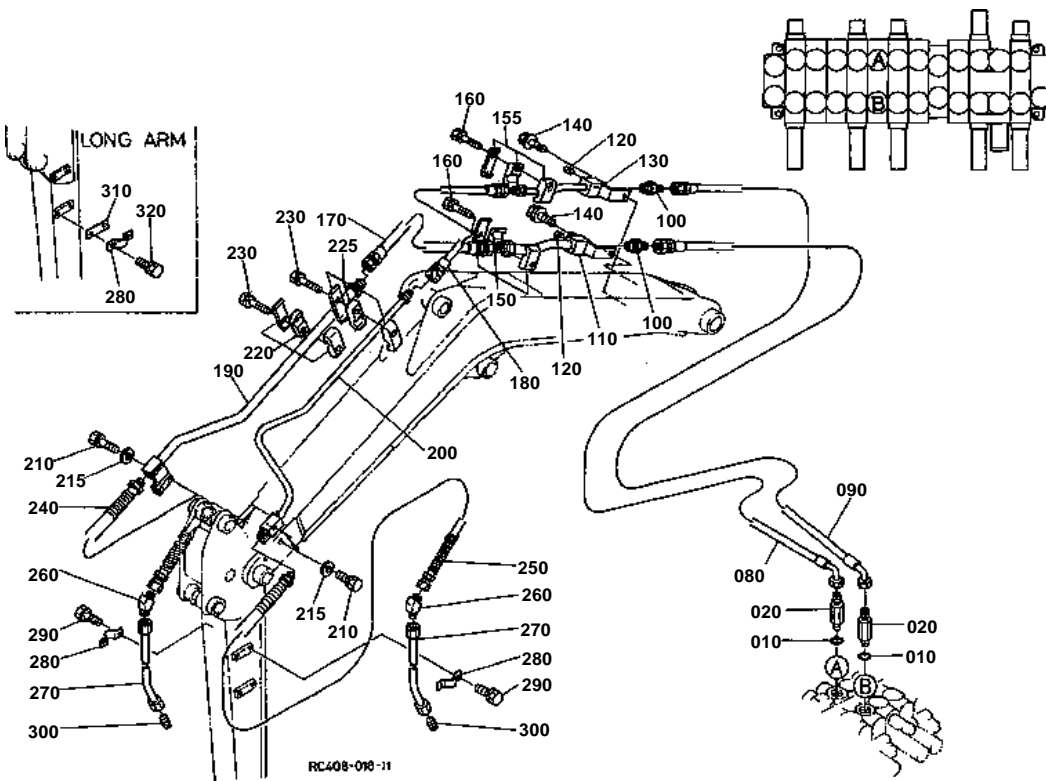


**OIL PIPING (CLAMP)**

↔ Interchangeable; ≠ not interchangeable; ← new for old; → old for new

REF.No	Part No.	Description	Q'ty	S.No.	I/C	REMARKS	Weight (kgf)	Weight (lb)
010	68318-68770	CLAMP	1				0.135	0.297
010	RC101-68770	CLAMP	1		←		0.114	0.2508
020	69251-63920	CUSHION	1				0.03	0.066
030	68311-68790	CUSHION	1				0.03	0.066
040	68311-68780	COLLAR	1				0.015	0.033
050	01133-61045	BOLT	1				0.035	0.077
060	68311-68130	CLAMP	1				0.11	0.242
070	68311-68110	CUSHION	1				0.03	0.066
080	68311-68790	CUSHION	1				0.03	0.066
090	RC101-68780	COLLAR	1				0.02	0.044
100	01133-61040	BOLT	1				0.03	0.066
110	68311-68110	CUSHION	1				0.03	0.066
120	68311-68790	CUSHION	2				0.03	0.066
130	RC101-68780	COLLAR	1				0.02	0.044
140	RC101-64820	PLATE	1				0.07	0.154
150	01133-61075	BOLT	1				0.048	0.1056
152	68318-68770	CLAMP	1				0.135	0.297
152	RC101-68770	CLAMP	1			TELESCOPIC	0.114	0.2508
154	69251-63920	CUSHION	1				0.03	0.066
156	68311-68780	COLLAR	1				0.015	0.033
160	RC101-64840	CUSHION	1				0.064	0.1408
170	RC101-64852	CUSHION	1				0.032	0.0704
180	RC108-64860	CLAMP	1				0.236	0.5192
190	68311-68780	COLLAR	2				0.015	0.033
200	01133-61050	BOLT	2				0.035	0.077
210	RC108-68570	CLAMP	1				0.578	1.2716
220	RC101-68520	CUSHION	1				0.1	0.22
230	RC101-68530	CUSHION	1				0.1	0.22
240	RC108-68580	GUIDE HOSE	1				0.408	0.8976
250	01133-61025	BOLT	4				0.02	0.044
260	68311-68130	CLAMP	1				0.11	0.242
270	68191-68140	CUSHION	1				0.04	0.088
280	68311-68790	CUSHION	1				0.03	0.066
290	RC101-68780	COLLAR	1				0.02	0.044
300	01133-61045	BOLT	1				0.035	0.077

OIL PIPING (S/P)



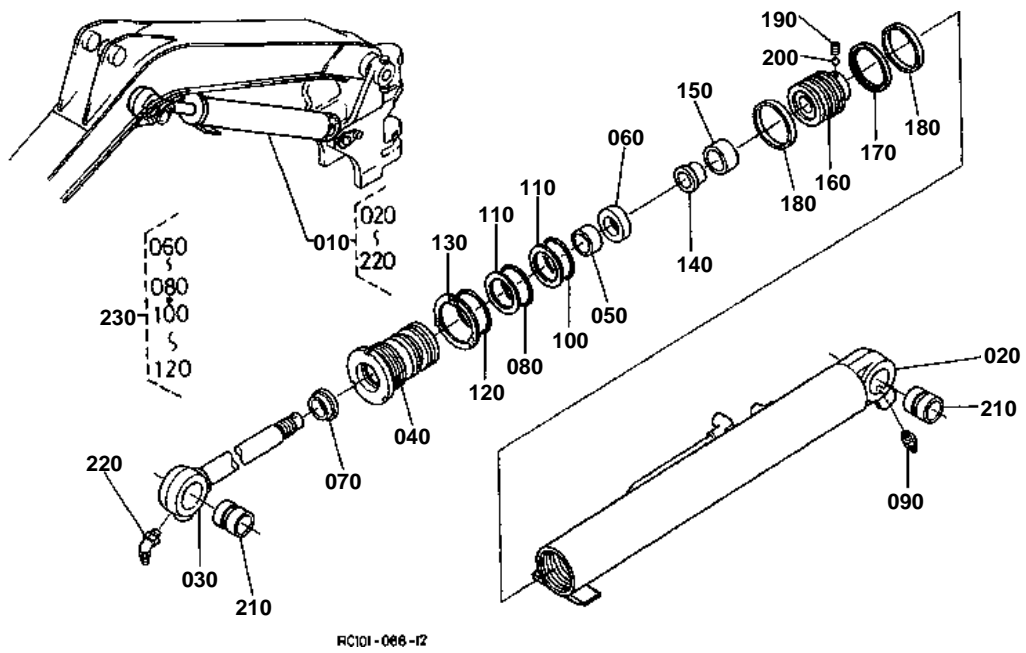


OIL PIPING (S/P)

↔ Interchangeable; ≠ not interchangeable; ← new for old; → old for new

REF.No	Part No.	Description	Q'ty	S.No.	I/C	REMARKS	Weight (kgf)	Weight (lb)
010	04810-00180	O RING	2				0	0
020	RC101-63840	JOINT PIPE(F-F)	2				0.24	0.528
030	99999-99999	BLANK	0				0	0
040	99999-99999	BLANK	0				0	0
050	99999-99999	BLANK	0				0	0
060	99999-99999	BLANK	0				0	0
070	99999-99999	BLANK	0				0	0
080	RC301-92310	HOSE HYDRAULIC	1				2.1	4.62
090	RC301-92320	HOSE HYDRAULIC	1				2	4.4
100	06111-54041	ADAPTER	2	≤12439			0.1	0.22
100	06111-54041	JOINT PIPE	2	≥12440	↔		0.1	0.22
110	RC508-92330	PIPE HYDRAULIC	1				1.49	3.278
120	06312-10040	PLUG	2				0.04	0.088
130	RC508-92360	PIPE HYDRAULIC	1				1.18	2.596
140	01135-61020	BOLT	2				0.015	0.033
150	69738-92300	ASSY CLAMP	1				0.1	0.22
155	69738-92340	ASSY CLAMP	1				0.105	0.231
160	01133-61055	BOLT	2				0.04	0.088
170	RC101-92410	HOSE HYDRAULIC	1				0.6	1.32
180	RC101-92420	HOSE HYDRAULIC	1				0.5	1.1
190	RC408-92430	PIPE HYDRAULIC	1				2.1	4.62
200	RC408-92440	PIPE HYDRAULIC	1				1.7	3.74
210	01133-61045	BOLT	4				0.035	0.077
215	04015-60100	WASHER PLAIN	4				0.015	0.033
220	69738-92300	ASSY CLAMP	1				0.1	0.22
225	69738-92340	ASSY CLAMP	1				0.105	0.231
230	01133-61055	BOLT	2				0.04	0.088
240	RC301-92480	HOSE HYDRAULIC	1				1.35	2.97
250	RC301-92490	HOSE HYDRAULIC	1				1	2.2
260	68131-61750	ELBOW	2				0.11	0.242
270	RC408-92970	PIPE HYDRAULIC	2				0.88	1.936
280	68318-92240	CLAMP	4				0.125	0.275
290	01133-61020	BOLT	8				0.02	0.044
290	01133-61020	BOLT	4			LONG ARM	0.02	0.044
300	06312-10040	PLUG	2				0.04	0.088
310	RC108-95990	PLATE	2	≤12375		LONG ARM	0.1	0.22
310	RC108-67160	PLATE	2	≥12376	≠	LONG ARM	0.16	0.352
320	01133-61025	BOLT	4	≤12375		LONG ARM	0.02	0.044
320	01133-61030	BOLT	4	≥12376	≠	LONG ARM	0.023	0.0506

BOOM CYLINDER AND COMPONENT PARTS



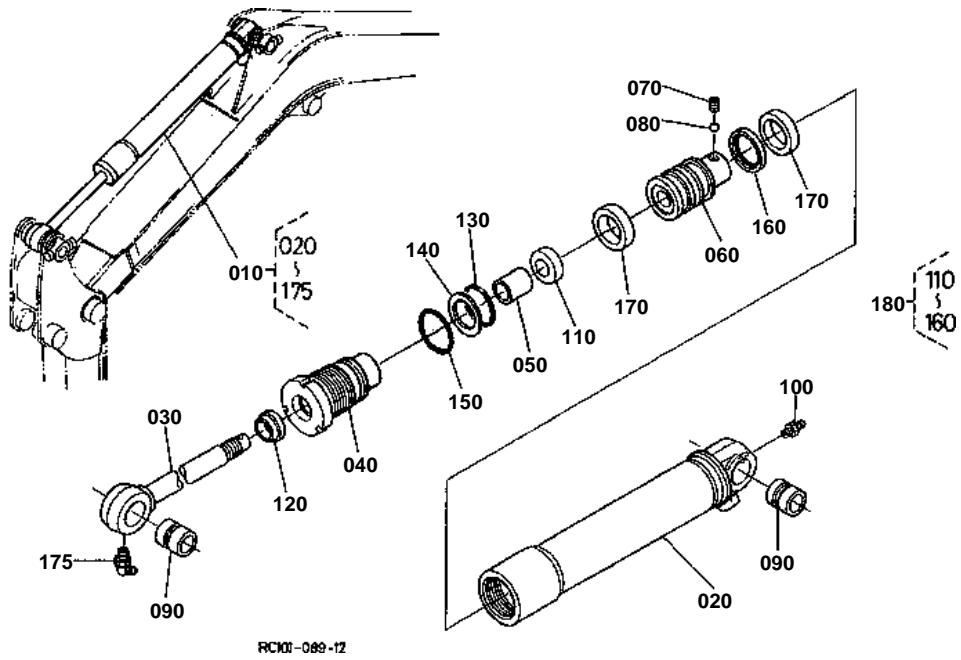


## BOOM CYLINDER AND COMPONENT PARTS

↔ Interchangeable; ≠ not interchangeable; ← new for old; → old for new

REF.No	Part No.	Description	Q'ty	S.No.	I/C	REMARKS	Weight (kgf)	Weight (lb)
010	RC108-67500	ASSY CYLINDER BOOM	1				26.5	58.3
020	RC108-71310	ASSY TUBE CYLINDER	1				14.5	31.9
030	RC108-71320	ASSY ROD PISTON	1				8.6	18.92
040	68318-71330	CYLINDER HEAD	1				0	0
050	68861-93340	BUSH	1				0.05	0.11
060	68111-92140	U-RING	1				0.02	0.044
070	RC101-71240	RING WIPER	1				0.016	0.0352
080	68817-93430	O RING	1				0.005	0.011
090	06611-15010	NIPPLE GREASE	1				0.01	0.022
100	68591-67860	O RING	1				0.01	0.022
110	68111-92170	RING BACK UP	2				0.01	0.022
120	68817-93440	O RING	1				0.009	0.0198
130	68741-71380	WASHER LOCK	1				0.026	0.0572
140	68311-71380	SPACER	1				0.18	0.396
150	68311-71390	BEARING CUSHION	1				0.193	0.4246
160	68311-71340	PISTON	1				1.34	2.948
170	68741-71440	ASSY RING SEAL	1				0.03	0.066
180	68311-71350	RING SLIDE	2				0.02	0.044
190	68493-67650	SCREW SET	1				0.003	0.0066
200	68493-67670	BALL	1				0.001	0.0022
210	68351-67660	BUSH PIN	2				0.262	0.5764
220	06616-25010	NIPPLE GREASE	1				0.008	0.0176
230	RC101-94310	KIT CYLINDER REPAIR	1				0.065	0.143

ARM CYLINDER AND COMPONENT PARTS



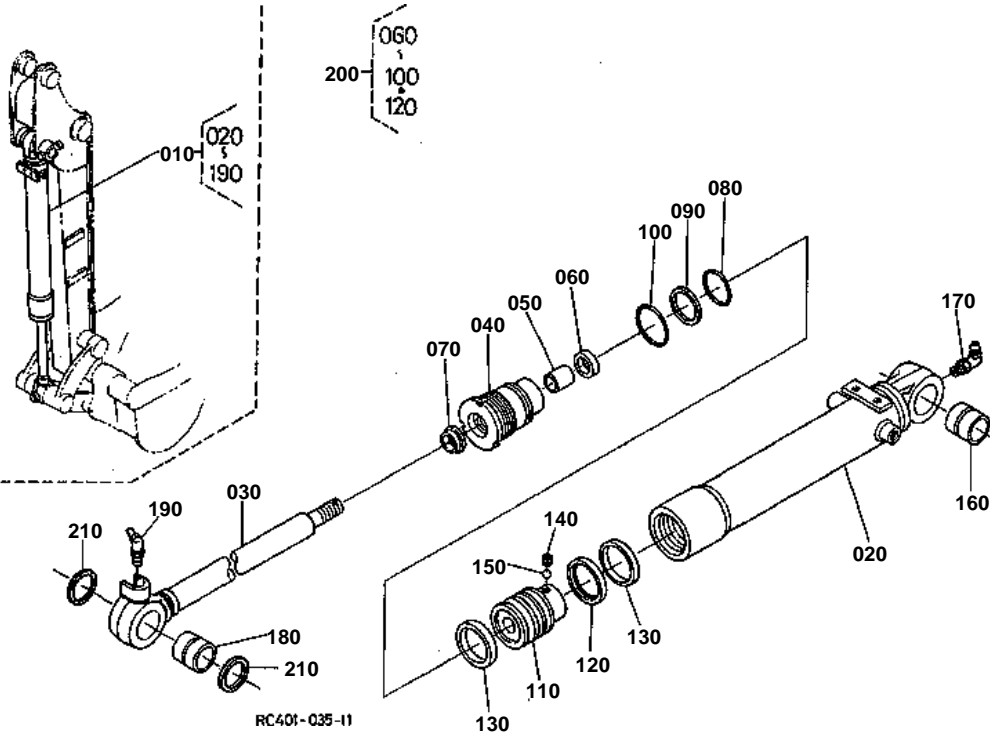


## ARM CYLINDER AND COMPONENT PARTS

↔ Interchangeable; ≠ not interchangeable; ← new for old; → old for new

REF.No	Part No.	Description	Q'ty	S.No.	I/C	REMARKS	Weight (kgf)	Weight (lb)
010	RC408-67600	ASSY CYLINDER ARM	1				0	0
020	RC408-71510	ASSY TUBE CYLINDER	1				9.8	21.56
030	RC408-71520	ASSY ROD PISTON	1				9	19.8
040	68861-93330	CYLINDER HEAD	1				1.34	2.948
050	RC101-71540	BUSH	1				0.052	0.1144
060	68311-71540	PISTON	1				0.79	1.738
070	68191-71370	SCREW SET	1				0.005	0.011
080	68701-71650	BALL	1				0.005	0.011
090	68351-67660	BUSH PIN	2				0.262	0.5764
100	06611-15010	NIPPLE GREASE	1				0.01	0.022
110	68111-92140	U-RING	1				0.02	0.044
120	RC101-71240	RING WIPER	1				0.016	0.0352
130	68861-93360	O RING	1				0.005	0.011
140	68541-71540	RING BACK UP	1				0.002	0.0044
150	68861-93370	O RING	1				0.005	0.011
160	68741-71270	ASSY RING SEAL	1				0.01	0.022
170	68311-71550	RING SLIDE	2				0.02	0.044
175	06616-35010	NIPPLE GREASE	1				0.009	0.0198
180	RC401-94210	KIT CYLINDER REPAIR	1				0.06	0.132

BUCKET CYLINDER AND COMPONENT PARTS





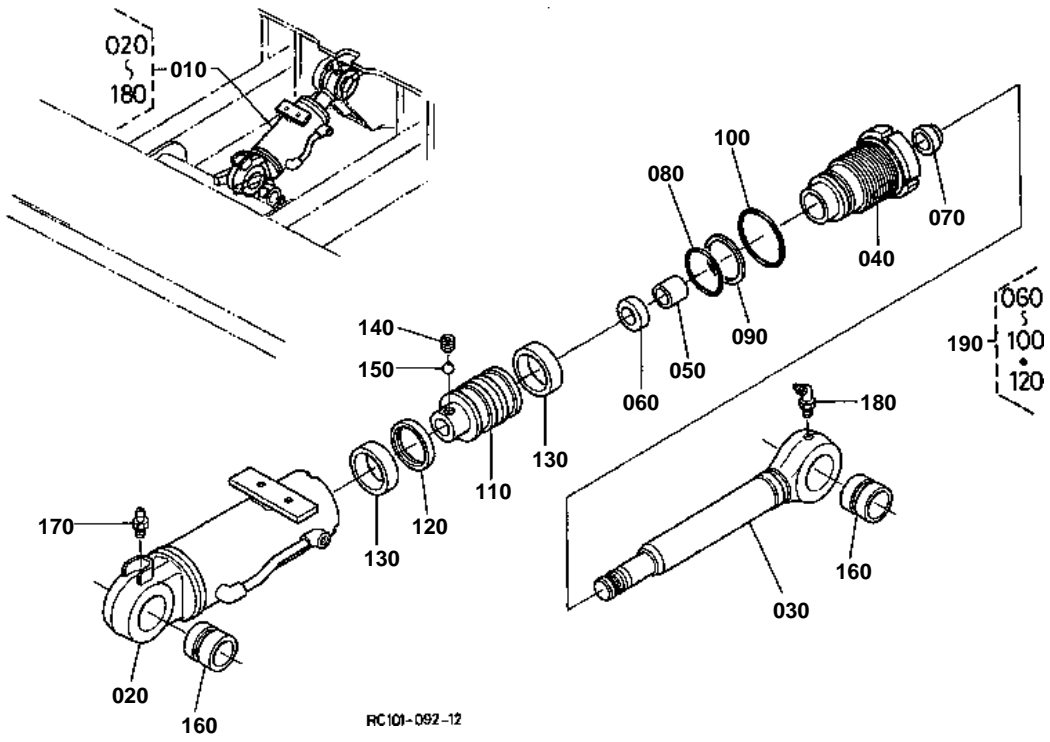


## BUCKET CYLINDER AND COMPONENT PARTS

↔ Interchangeable; ≠ not interchangeable; ← new for old; → old for new

REF.No	Part No.	Description	Q'ty	S.No.	I/C	REMARKS	Weight (kgf)	Weight (lb)
010	RC408-67800	ASSY CYLINDER BUCKET	1				21	46.2
020	RC408-71710	ASSY TUBE CYLINDER	1				4.8	10.56
030	RC408-71722	ASSY ROD PISTON	1				0	0
040	68861-93330	CYLINDER HEAD	1				1.34	2.948
050	RC101-71540	BUSH	1				0.052	0.1144
060	68111-92140	U-RING	1				0.02	0.044
070	RC101-71240	RING WIPER	1				0.016	0.0352
080	68861-93360	O RING	1				0.005	0.011
090	68541-71540	RING BACK UP	1				0.002	0.0044
100	68861-93370	O RING	1				0.005	0.011
110	68311-71540	PISTON	1				0.79	1.738
120	68741-71270	ASSY RING SEAL	1				0.01	0.022
130	68311-71550	RING SLIDE	2				0.02	0.044
140	68191-71370	SCREW SET	1				0.005	0.011
150	68701-71650	BALL	1				0.005	0.011
160	68351-67660	BUSH PIN	1				0.262	0.5764
170	06611-35010	NIPPLE GREASE	1				0	0
180	68351-67770	BUSH PIN	1				0.208	0.4576
190	06616-25010	NIPPLE GREASE	1				0.008	0.0176
200	RC401-94210	KIT CYLINDER REPAIR	1				0.06	0.132
210	68741-66780	SEAL DUST	2				0.01	0.022

BLADE CYLINDER AND COMPONENT PARTS



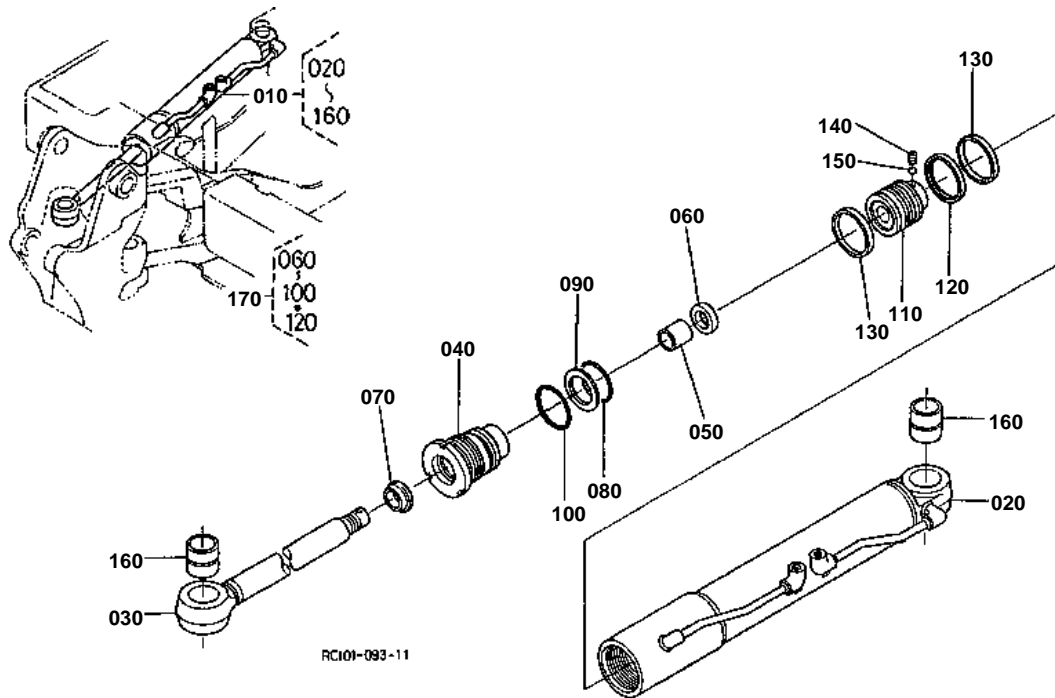


## BLADE CYLINDER AND COMPONENT PARTS

↔ Interchangeable; ≠ not interchangeable; ← new for old; → old for new

REF.No	Part No.	Description	Q'ty	S.No.	I/C	REMARKS	Weight (kgf)	Weight (lb)
010	RC108-75100	ASSY CYLINDER BLADE	1				20.2	44.44
020	RC108-71910	ASSY TUBE CYLINDER	1				10	22
030	RC108-71920	ASSY ROD PISTON	1				8	17.6
040	68318-71930	CYLINDER HEAD	1				0	0
050	RC101-71950	BUSH	1				0.07	0.154
060	68371-92140	U-RING	1				0.03	0.066
070	RC101-71930	RING WIPER	1				0.018	0.0396
080	04810-50850	O RING	1				0.003	0.0066
090	68591-71540	RING BACK UP	1				0.003	0.0066
100	04811-50900	O RING	1				0.003	0.0066
110	68311-71940	PISTON	1				1.7	3.74
120	68741-72110	ASSY RING SEAL	1				0.02	0.044
130	68311-71950	RING SLIDE	2				0.03	0.066
140	68493-67650	SCREW SET	1				0.003	0.0066
150	68493-67670	BALL	1				0.001	0.0022
160	68351-67540	BUSH PIN	2				0.275	0.605
170	06611-15010	NIPPLE GREASE	1				0.01	0.022
180	06616-25010	NIPPLE GREASE	1				0.008	0.0176
190	RC101-94510	KIT CYLINDER REPAIR	1				0.07	0.154

# SWING CYLINDER AND COMPONENT PARTS



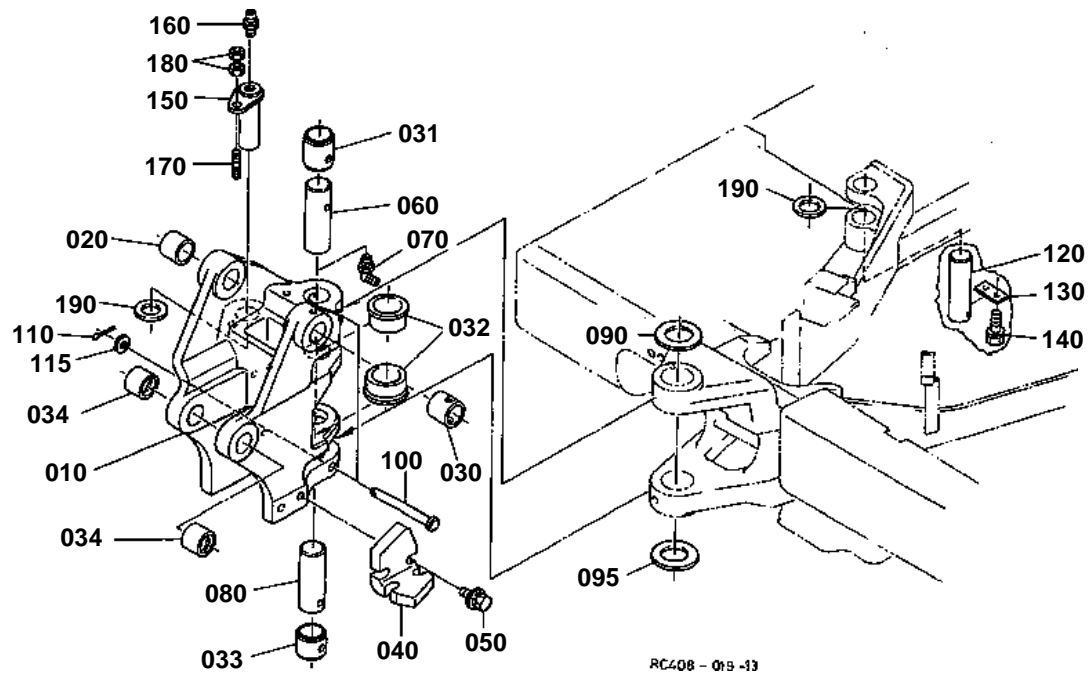


## SWING CYLINDER AND COMPONENT PARTS

↔ Interchangeable; ≠ not interchangeable; ← new for old; → old for new

REF.No	Part No.	Description	Q'ty	S.No.	I/C	REMARKS	Weight (kgf)	Weight (lb)
010	RC108-67400	ASSY CYLINDER SWING	1				21	46.2
020	RC108-71210	ASSY TUBE CYLINDER	1				10	22
030	RC108-71220	ASSY ROD PISTON	1				8.5	18.7
040	RC108-71230	CYLINDER HEAD	1				1.76	3.872
050	68861-93340	BUSH	1				0.05	0.11
060	68111-92140	U-RING	1				0.02	0.044
070	RC101-71240	RING WIPER	1				0.016	0.0352
080	68817-93430	O RING	1				0.005	0.011
090	68581-71540	RING BACK UP	1				0.002	0.0044
100	68817-93440	O RING	1				0.009	0.0198
110	68311-71340	PISTON	1				1.34	2.948
120	68741-71440	ASSY RING SEAL	1				0.03	0.066
130	68311-71350	RING SLIDE	2				0.02	0.044
140	68493-67650	SCREW SET	1				0.003	0.0066
150	68493-67670	BALL	1				0.001	0.0022
160	68351-67660	BUSH PIN	2				0.262	0.5764
170	RC101-94410	KIT CYLINDER REPAIR	1				0.06	0.132

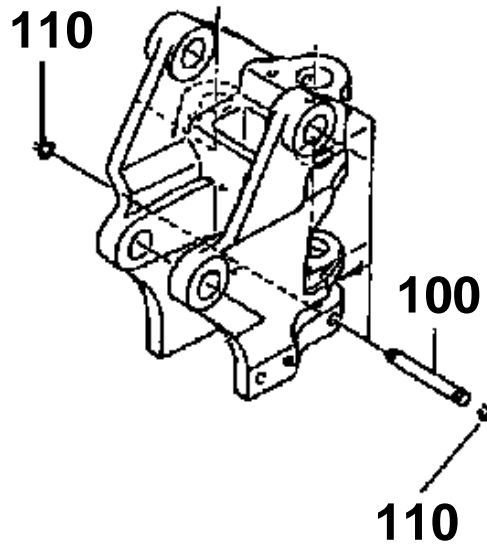
# SWING BRACKET



SWING BRACKET

100 68311-6647-0

110 04612-00160



RC408-808-10



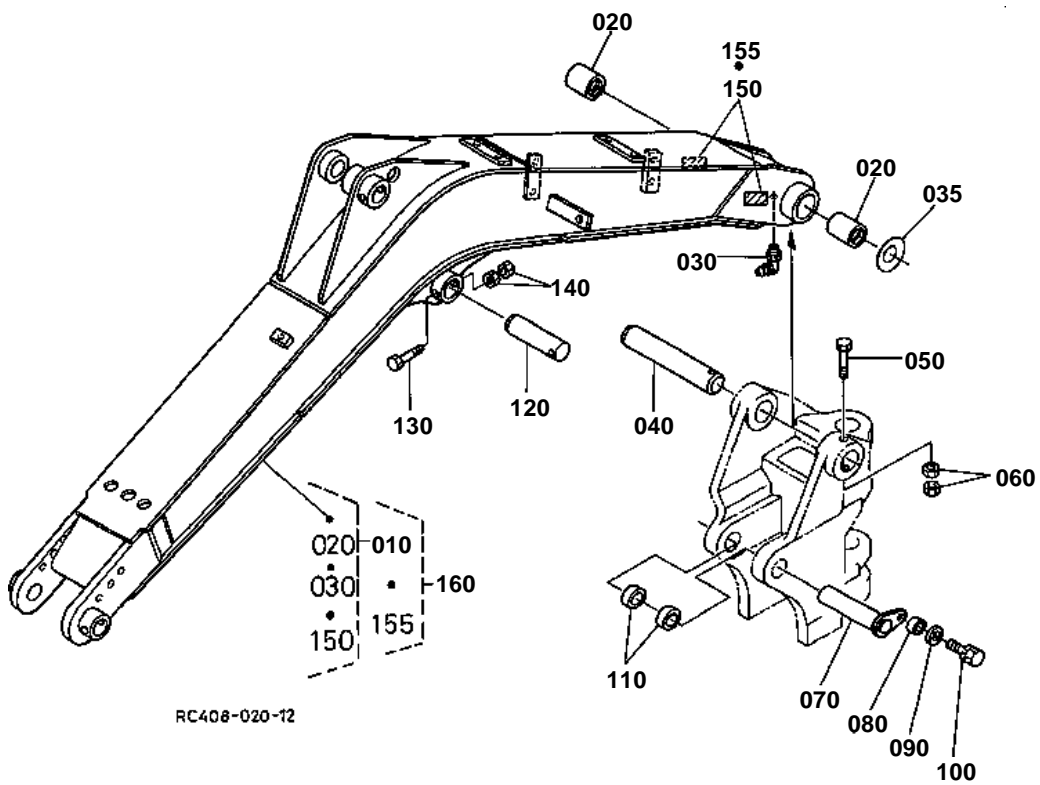
# SWING BRACKET

↔ Interchangeable; ≠ not interchangeable; ← new for old; → old for new

REF.No	Part No.	Description	Q'ty	S.No.	I/C	REMARKS	Weight (kgf)	Weight (lb)
010	RC108-66433	BRACKET SWING	1				0	0
020	RC108-66370	BUSH	1				0.32	0.704
030	RC108-66380	BUSH	1				0.35	0.77
031	RC108-66390	BUSH	1				0.53	1.166
032	RC108-66480	BUSH	2				0.32	0.704
033	RC108-66470	BUSH	1				0.33	0.726
034	68541-66440	BUSH	2				0.225	0.495
040	RC108-66490	STOPPER	1				0.83	1.826
050	01135-61035	BOLT	2				0.03	0.066
060	68311-66450	PIN	1				3.51	7.722
070	06616-25010	NIPPLE GREASE	1				0.008	0.0176
080	68311-66460	PIN	1				2.85	6.27
090	68351-66450	COLLAR THRUST	2	≤12222		3.2MM	0.13	0.286
090	RC108-66350	COLLAR THRUST	1	≥12223	←	3.5MM	0.132	0.2904
095	RC108-66350	COLLAR THRUST	1	≥12223		3.5MM	0.132	0.2904
100	68311-66470	PIN	2	≤12499			0.225	0.495
100	RC101-66360	PIN JOINT	2	≥12500	←		0.22	0.484
110	04612-00160	CIR CLIP EXTERNAL	4	≤12499			0.001	0.0022
110	05511-50425	PIN SPLIT	2	≥12500	←		0.003	0.0066
115	04011-60160	WASHER PLAIN	2	≥12500			0.01	0.022
120	68541-67440	PIN	1				1.58	3.476
130	68741-67450	PLATE KEY	1				0.08	0.176
140	01133-61020	BOLT	2				0.02	0.044
150	68318-67460	PIN	1				0	0
150	68318-67460	PIN	1				0	0
160	06611-15010	NIPPLE GREASE	1				0.01	0.022
170	01517-61025	STUD	1				0.02	0.044
180	02118-60100	NUT	2				0.006	0.0132
190	68721-66980	SHIM	3				0.01	0.022



BOOM

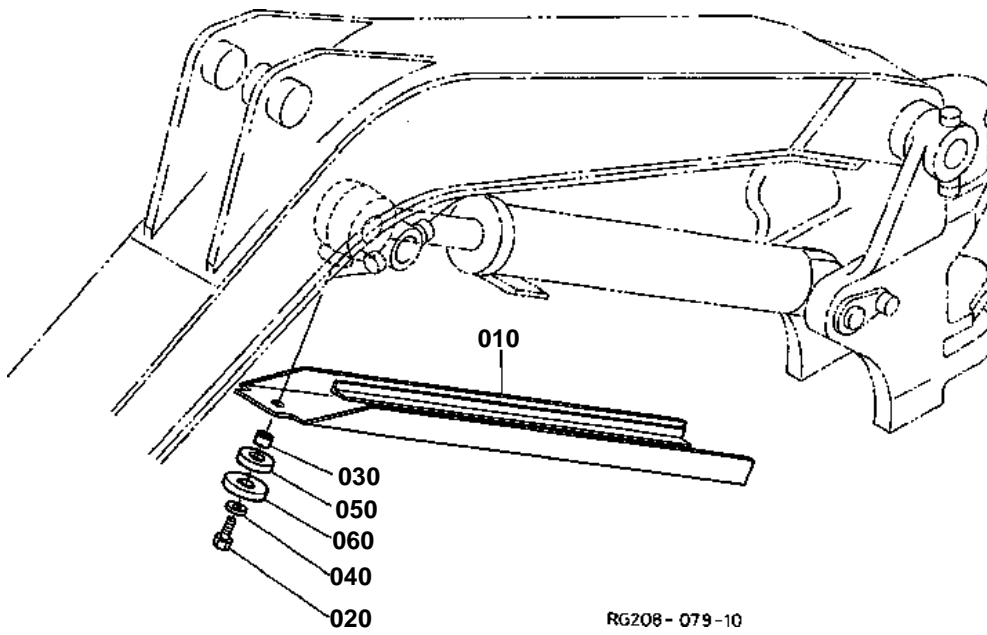


**BOOM**

↔ Interchangeable; ≠ not interchangeable; ← new for old; → old for new

REF.No	Part No.	Description	Q'ty	S.No.	I/C	REMARKS	Weight (kgf)	Weight (lb)
010	RC408-91390	KIT BOOM(A)	1				110	242
020	68741-66524	BUSH	2				0.36	0.792
030	06616-25010	NIPPLE GREASE	1				0.008	0.0176
035	RC601-67390	SHIM	1	>=11895			0.012	0.0264
040	68311-66540	PIN	1				3.94	8.668
050	01176-61204	BOLT	1				0.105	0.231
060	02174-60120	NUT	2				0.01	0.022
070	RC108-66582	PIN	1				0	0
080	68741-66920	SPACER	1				0.01	0.022
090	04015-60120	WASHER PLAIN	1				0.022	0.0484
100	01133-61225	BOLT	1				0.037	0.0814
110	68318-66570	COLLAR	2				0	0
120	68741-67560	PIN	1				1.45	3.19
130	01173-61285	BOLT	1				0.08	0.176
140	02174-60120	NUT	2				0.01	0.022
150	68328-57350	LABEL WARNING	2			ENGLISH	0.003	0.0066
155	RC108-58640	LABEL WARNING	2			FRENCH	0.001	0.0022
160	RC408-91690	KIT BOOM(B)	1				0	0

CYLINDER COVER (BOOM)



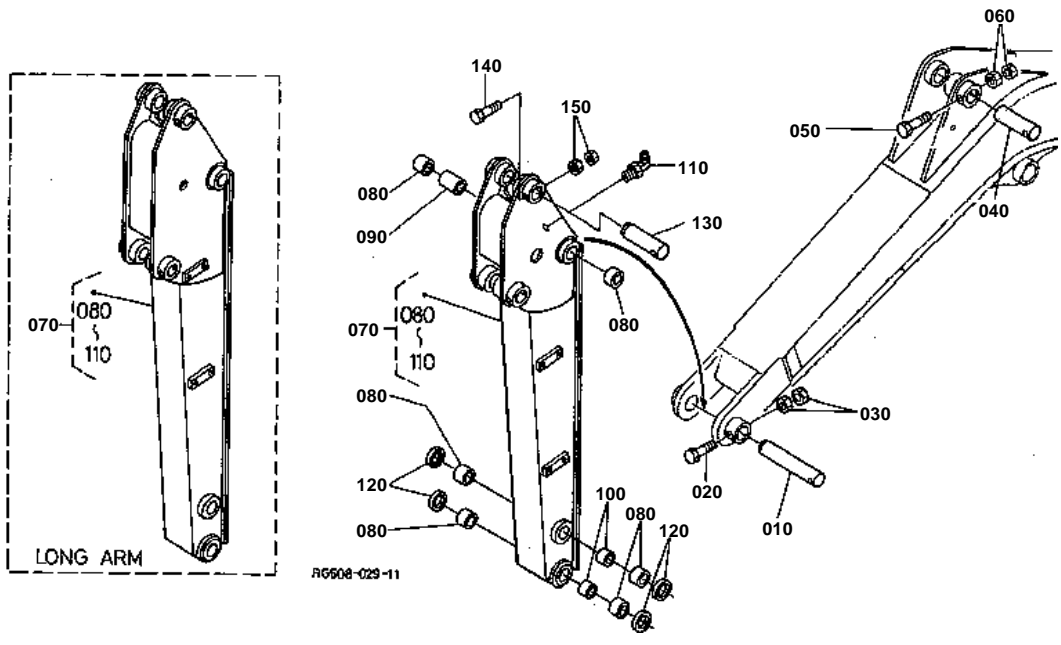


## CYLINDER COVER (BOOM)

↔ Interchangeable; ≠ not interchangeable; ← new for old; → old for new

REF.No	Part No.	Description	Q'ty	S.No.	I/C	REMARKS	Weight (kgf)	Weight (lb)
010	RC108-67530	COVER CYLINDER	1				2.52	5.544
020	01173-61220	BOLT	1				0.029	0.0638
030	68541-66580	COLLAR	1				0	0
040	04013-60120	WASHER PLAIN	1				0.01	0.022
050	68541-66562	CUSHION	1				0.01	0.022
060	04015-60160	WASHER PLAIN	1				0.058	0.1276

ARM



R6608-029-11

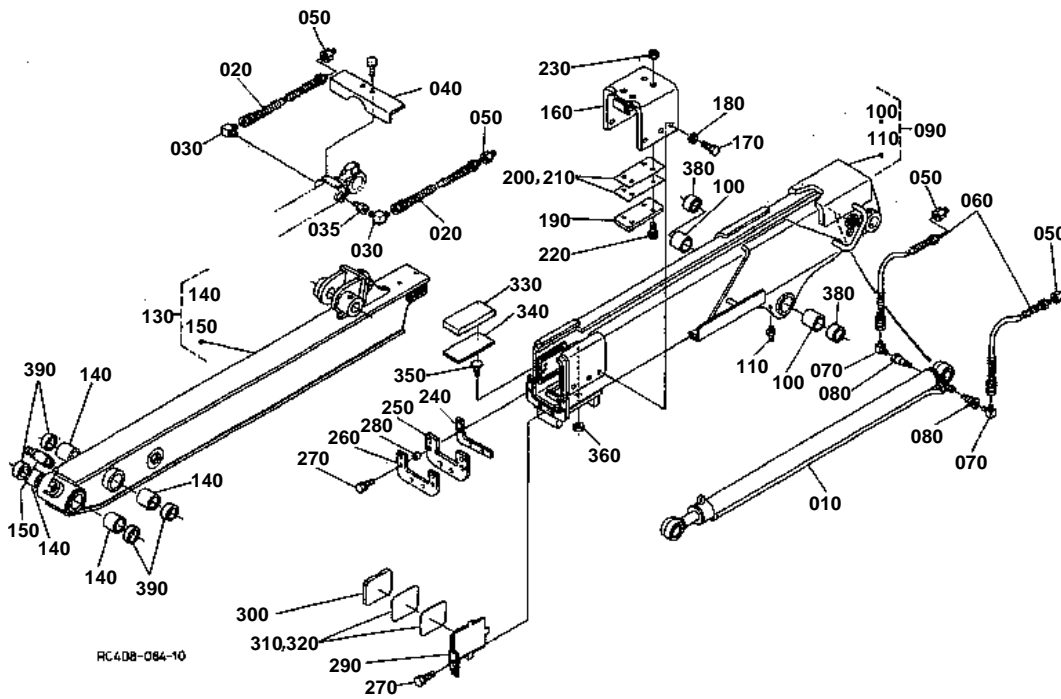


ARM

↔ Interchangeable; ≠ not interchangeable; ← new for old; → old for new

REF.No	Part No.	Description	Q'ty	S.No.	I/C	REMARKS	Weight (kgf)	Weight (lb)
010	68761-66640	PIN	1				2.31	5.082
020	01173-61285	BOLT	1				0.08	0.176
030	02174-60120	NUT	2				0.01	0.022
040	68481-74440	PIN	1				1.7	3.74
050	01173-61285	BOLT	1				0.08	0.176
060	02174-60120	NUT	2				0.01	0.022
070	RC408-67704	ASSY ARM S/P	1	<=12375		1240MM	75	165
070	RC408-67704	ASSY ARM S/P	1	>=12376	↔	1240MM	75	165
070	RC408-67100	ASSY ARM LONG	1	<=12375		1500MM	0	0
070	RC408-67102	ASSY ARM LONG	1	>=12376	↔	1500MM	108	237.6
080	68741-66625	BUSH	6				0.23	0.506
090	RC201-66630	COLLAR	1				0.1	0.22
100	RC401-66620	COLLAR	2				0.098	0.2156
110	06616-25010	NIPPLE GREASE	1				0.008	0.0176
120	68741-66780	SEAL DUST	4				0.01	0.022
130	68741-74440	PIN	1				1.6	3.52
140	01173-61285	BOLT	1				0.08	0.176
150	02174-60120	NUT	2				0.01	0.022

ARM (TELESCOPIC)





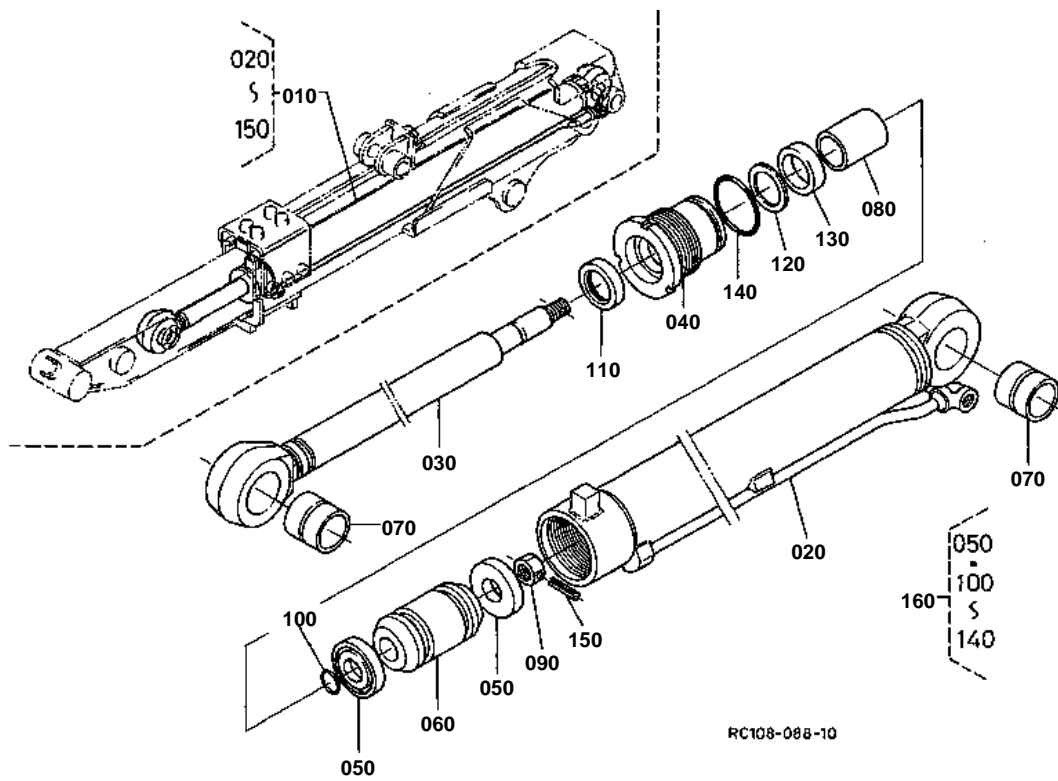
**ARM (TELESCOPIC)**

↔ Interchangeable; ≠ not interchangeable; ← new for old; → old for new

REF.No	Part No.	Description	Q'ty	S.No.	I/C	REMARKS	Weight (kgf)	Weight (lb)
010	90565-11350	ASSY CYLINDER	1				0	0
020	90565-11360	HOSE	2				1	2.2
030	68351-64190	ELBOW	2				0.15	0.33
035	68591-68190	ADAPTER	1				0.09	0.198
040	68318-95310	PROTECTOR	1				0.8	1.76
050	90055-11670	BUSHING	4	≤12499			0.04	0.088
050	R1401-68510	JOINT PIPE	4	≥12500	↔		0.045	0.099
060	RC101-95140	HOSE HYDRAULIC	2				0.58	1.276
070	06114-53031	JOINT	2				0.085	0.187
080	90555-11380	JOINT	2				0.09	0.198
090	68398-95400	ASSY ARM TELESCOPIC	1				241	530.2
100	68741-66625	BUSH	2				0.23	0.506
110	06611-15010	NIPPLE GREASE	1				0.01	0.022
120	99999-99999	BLANK	0				0	0
130	68398-95300	ASSY ARM TELESCOPIC	1				140	308
140	68741-66625	BUSH	4				0.23	0.506
150	06616-25010	NIPPLE GREASE	1				0.008	0.0176
160	68398-95370	PLATE	1				7.5	16.5
170	01173-61630	BOLT	6				0.07	0.154
180	04512-60160	WASHER SPRING	6				0.01	0.022
190	90565-11440	SKID	1				0.92	2.024
200	90565-11450	SHIM	1				0.05	0.11
210	90565-11460	SHIM	1				0.085	0.187
220	01153-60835	BOLT	4				0.02	0.044
230	02112-60080	NUT	4				0.005	0.011
240	68398-95390	PLATE	1				0.25	0.55
250	90565-11480	COVER	1				0.13	0.286
260	68398-95410	PLATE	1				0.22	0.484
270	01133-61235	BOLT	6				0.043	0.0946
280	90565-11510	COLLAR	6				0.009	0.0198
290	68398-95430	PLATE	1				0.405	0.891
300	90565-11530	SKID	1				0.66	1.452
310	90565-11540	SHIM	1				0.05	0.11
320	90565-11550	SHIM	1				0.08	0.176
330	90565-11560	SKID	1				0.33	0.726
340	90565-11570	PLATE	1				0.75	1.65
350	90565-11580	BOLT	2				0.26	0.572
360	02172-60200	NUT	2				0.035	0.077
370	99999-99999	BLANK	0				0	0
380	68311-95340	COLLAR	2				0.12	0.264
390	68741-66780	SEAL DUST	4				0.01	0.022



TELESCOPIC CYLINDER [COMPONENT PARTS]



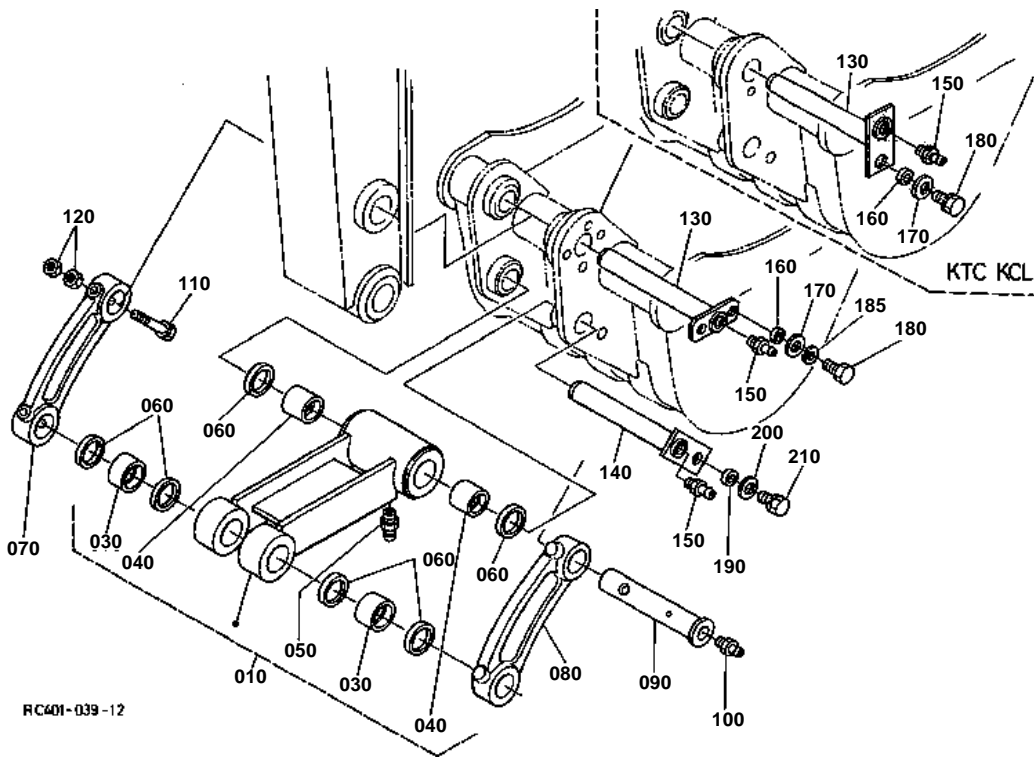


## TELESCOPIC CYLINDER [COMPONENT PARTS]

↔ Interchangeable; ≠ not interchangeable; ← new for old; → old for new

REF.No	Part No.	Description	Q'ty	S.No.	I/C	REMARKS	Weight (kgf)	Weight (lb)
010	90565-11350	ASSY TELESCOPIC CYL.	1				0	0
010	90565-11350	ASSY TELESCOPIC CYL.	1		↔		0	0
020	90565-91410	ASSY TUBE CYLINDER	1				10	22
030	90565-91510	ASSY PISTON ROD	1				6	13.2
040	90435-11630	COVER ROD	1				0.625	1.375
050	90545-11810	GASKET PISTON	2				0.002	0.0044
060	90435-11640	PISTON	1				0.86	1.892
070	90435-11650	BUSH PIN	2				0.105	0.231
080	90435-11660	DU-BUSH	1				0.045	0.099
090	68721-71392	U-NUT	1				0.057	0.1254
100	90545-11820	O RING	1				0.001	0.0022
110	90545-11830	SEAL DUST	1				0	0
120	90545-11840	RING BACK UP	1				0.001	0.0022
130	90545-11850	GASKET	1				0.002	0.0044
140	90545-11860	O RING	1				0.002	0.0044
150	90545-91620	PIN SPRING	1				0.002	0.0044
160	90545-91160	KIT SEAL	1				0.03	0.066

BUCKET LINK

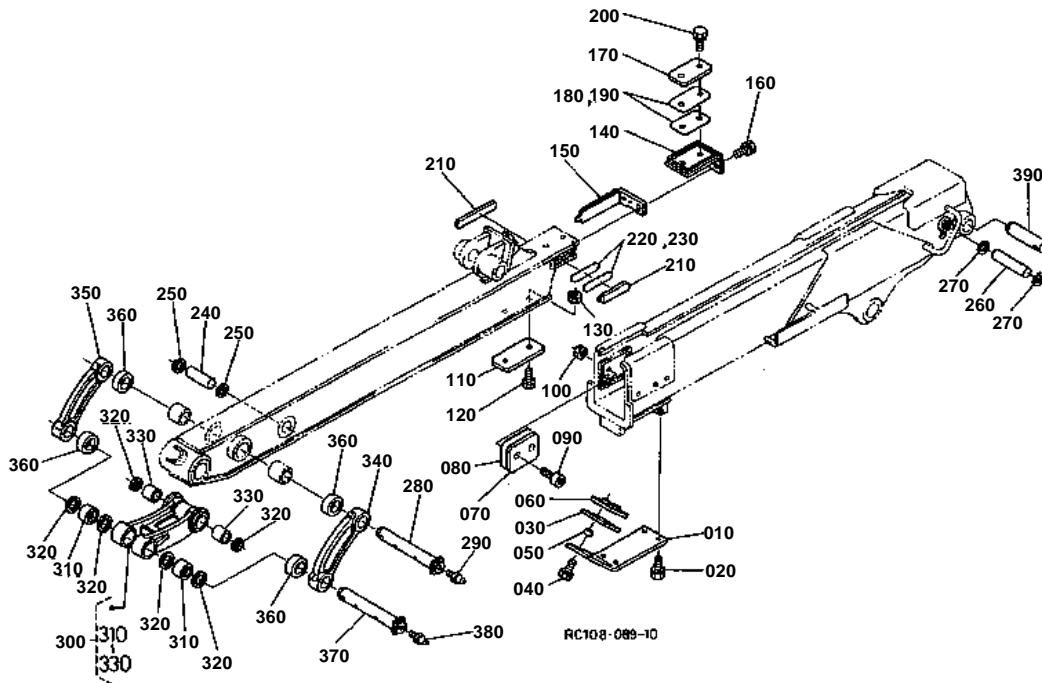


**BUCKET LINK**

↔ Interchangeable; ≠ not interchangeable; ← new for old; → old for new

REF.No	Part No.	Description	Q'ty	S.No.	I/C	REMARKS	Weight (kgf)	Weight (lb)
010	RC408-66704	ASSY LINK BUCKET	1				10.7	23.54
020	99999-99999	BLANK	0				0	0
030	68741-66770	BUSH	2				0.17	0.374
040	68741-66625	BUSH	2				0.23	0.506
050	06611-15010	NIPPLE GREASE	1				0.01	0.022
060	68741-66780	SEAL DUST	6				0.01	0.022
070	68398-66720	LINK BUCKET	1				4.25	9.35
080	68398-66730	LINK BUCKET	1				4.1	9.02
090	68761-66750	PIN	1				2.15	4.73
100	06611-15010	NIPPLE GREASE	1				0.01	0.022
110	01173-61200	BOLT	1				0.09	0.198
120	02174-60120	NUT	2				0.01	0.022
130	RC408-66762	PIN	1			KTA	0	0
130	RC408-66790	PIN	1			KTC KCL	0	0
140	RC408-66790	PIN	1				0	0
150	06611-15010	NIPPLE GREASE	2				0.01	0.022
160	RC101-66860	COLLAR	2			KTA	0.008	0.0176
160	68741-66920	SPACER	1			KTC KCL	0.01	0.022
170	41062-51740	COLLAR	2			KTA	0.006	0.0132
170	04015-60120	WASHER PLAIN	1			KTC KCL	0.022	0.0484
180	01173-61035	BOLT	2			KTA	0.023	0.0506
180	01133-61225	BOLT	1			KTC KCL	0.037	0.0814
185	04512-60100	WASHER SPRING	2			KTA	0.002	0.0044
190	68741-66920	SPACER	1				0.01	0.022
200	04015-60120	WASHER PLAIN	1				0.022	0.0484
210	01133-61225	BOLT	1				0.037	0.0814

# BUCKET LINK (TELESCOPIC)

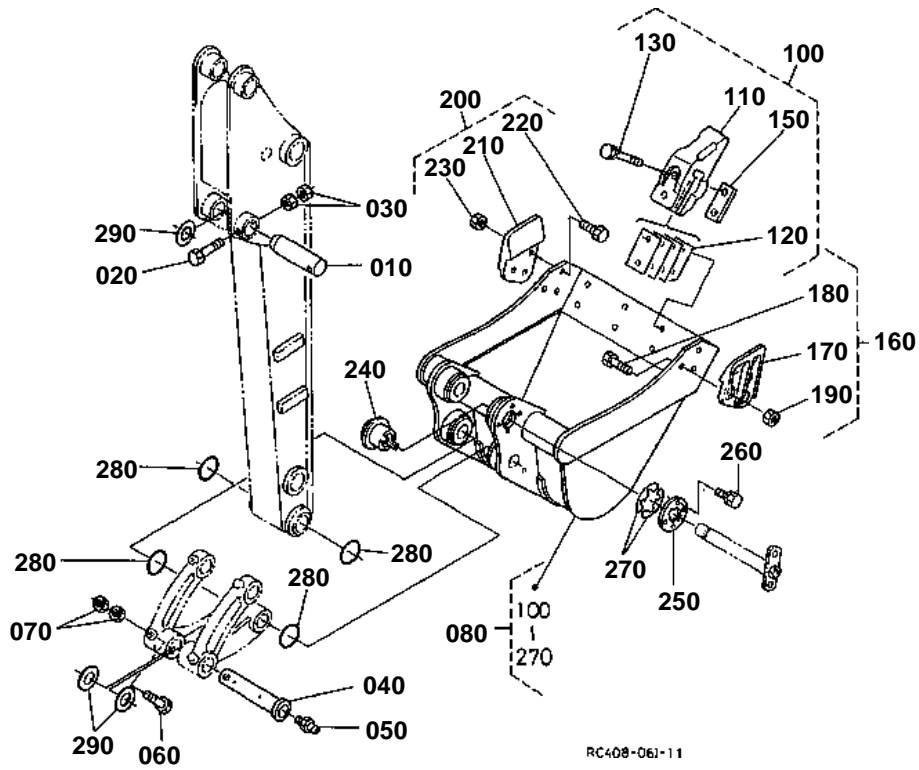


**BUCKET LINK (TELESCOPIC)**

↔ Interchangeable; ≠ not interchangeable; ← new for old; → old for new

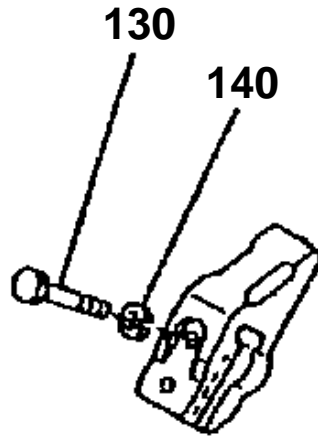
REF.No	Part No.	Description	Q'ty	S.No.	I/C	REMARKS	Weight (kgf)	Weight (lb)
010	68398-95450	PLATE	1				3.22	7.084
020	01133-61225	BOLT	4				0.037	0.0814
030	90565-11922	COVER	1				0.09	0.198
040	01133-61230	BOLT	2				0.04	0.088
050	90565-11510	COLLAR	2				0.009	0.0198
060	90565-11930	NUT	1				0.075	0.165
070	90565-11610	SKID	1				0.63	1.386
080	90565-11890	SHIM	1				0.07	0.154
090	90565-11620	BOLT HEX-SOC-HD	2				0.009	0.0198
100	02112-60080	NUT	2				0.005	0.011
110	90565-11630	SKID	1				0.98	2.156
120	01153-60825	BOLT	2				0.01	0.022
130	02112-60080	NUT	2				0.005	0.011
140	68398-95490	PLATE	1				0.585	1.287
150	68398-95510	PLATE	1				0.36	0.792
160	01133-61230	BOLT	2				0.04	0.088
170	90565-11670	SKID	1				0.48	1.056
180	90565-11680	SHIM	1				0.03	0.066
190	90565-11690	SHIM	1				0.05	0.11
200	01123-60816	BOLT	2				0.01	0.022
210	90565-11710	SKID	2				0.2	0.44
220	90565-11720	SHIM	1				0.01	0.022
230	90565-11730	SHIM	1				0.02	0.044
240	90055-11240	PIN	1				0.44	0.968
250	04611-00300	CIR CLIP INTERNAL	2				0.004	0.0088
260	90055-11250	PIN	1				0.74	1.628
270	04611-00300	CIR CLIP INTERNAL	2				0.004	0.0088
280	90565-11770	PIN BUCKET CYLINDER	1				2.83	6.226
290	06611-15010	NIPPLE GREASE	1				0.01	0.022
300	68398-66702	ASSY LINK BUCKET	1				9.4	20.68
310	68741-66770	BUSH	2				0.17	0.374
320	68741-66780	SEAL DUST	6				0.01	0.022
330	68741-66625	BUSH	2				0.23	0.506
340	68398-66720	LINK BUCKET	1				4.25	9.35
350	68398-66730	LINK BUCKET	1				4.1	9.02
360	90565-11750	COLLAR	4				0.8	1.76
370	90565-11770	PIN BUCKET CYLINDER	1				2.83	6.226
380	06611-15010	NIPPLE GREASE	1				0.01	0.022
390	68741-74440	PIN	2				1.6	3.52

# BUCKET



130 01176-61448

140 04512-60140



RC408-814-10

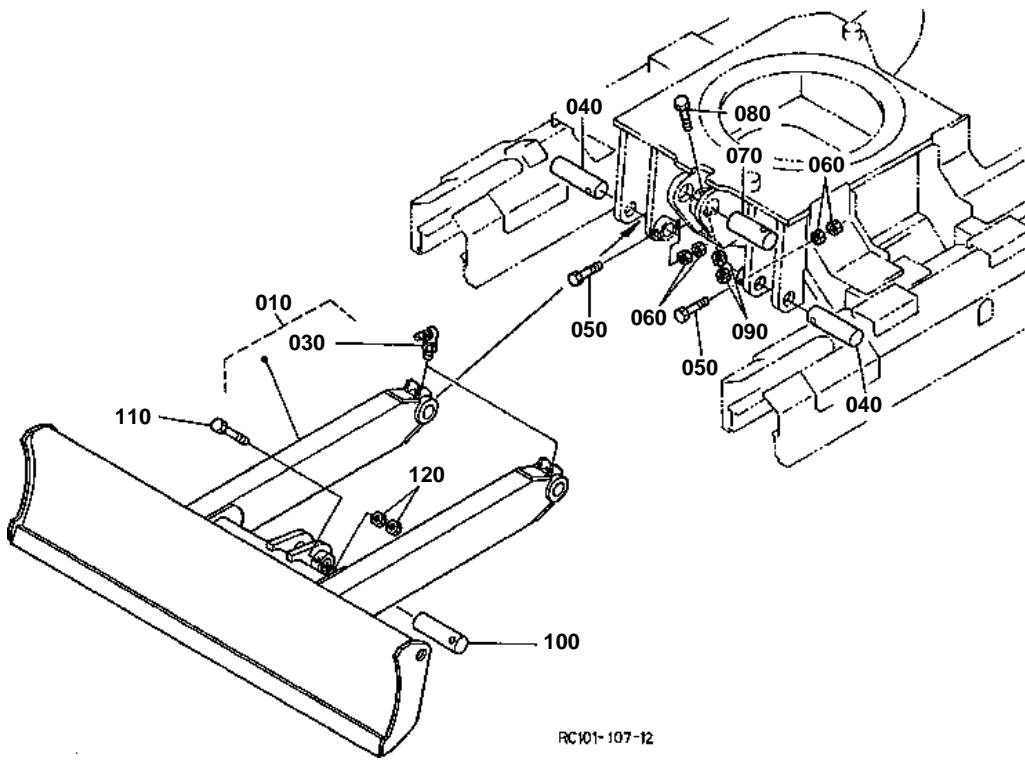


**BUCKET**

↔ Interchangeable; ≠ not interchangeable; ← new for old; → old for new

REF.No	Part No.	Description	Q'ty	S.No.	I/C	REMARKS	Weight (kgf)	Weight (lb)
010	68741-74440	PIN	1				1.6	3.52
020	01173-61285	BOLT	1				0.08	0.176
030	02174-60120	NUT	2				0.01	0.022
040	68761-66740	PIN	1	≤=11735			0	0
040	RC401-66750	PIN	1	≥=11736	↔		2.11	4.642
050	06611-15010	NIPPLE GREASE	1				0.01	0.022
060	01173-61200	BOLT	1				0.09	0.198
070	02174-60120	NUT	2				0.01	0.022
080	RC408-66800	ASSY BUCKET	1			KTA 500MM	0	0
080	RC408-68100	ASSY BUCKET	1			KTA 350MM	5.5	12.1
090	99999-99999	BLANK	0				0	0
100	RC201-66100	ASSY TEETH	4			KTA 500MM	2.3	5.06
100	RC201-66100	ASSY TEETH	4			KTA 500MM	2.3	5.06
110	RC101-66950	TEETH	4			KTA 500MM	1.9	4.18
110	RC101-66950	TEETH	4			KTA 350MM	1.9	4.18
110	RC101-66950	TEETH	3			KTA 350MM	1.9	4.18
120	68131-66930	SHIM	4			KTA 500MM	0.03	0.066
120	69201-71390	SHIM	8			KTA 500MM	0.012	0.0264
120	68131-66930	SHIM	3			KTA 350MM	0.03	0.066
120	69201-71390	SHIM	6			KTA 350MM	0.012	0.0264
130	01176-61448	BOLT	8			KTA 500MM ≤=JAN.99	0.07	0.154
130	01138-51448	BOLT	8		←	KTA 500MM ≥=FEB.99	0.078	0.1716
130	01176-61448	BOLT	6			KTA 350MM ≤=JAN.99	0.07	0.154
130	01138-51448	BOLT	6		←	KTA 350MM ≥=FEB.99	0.078	0.1716
140	04512-60140	WASHER SPRING	6			KTA 500MM ≤=JAN.99	0.008	0.0176
140	04512-60140	WASHER SPRING	6			KTA 350MM ≤=JAN.99	0.008	0.0176
150	68131-66920	NUT	4			KTA 500MM	0.14	0.308
150	68131-66920	NUT	3			KTA 350MM	0.14	0.308
160	RC208-66200	ASSY CUTER SIDE LH	1			KTA	1.88	4.136
170	RC208-66930	CUTER SIDE LH	1			KTA	1.58	3.476
180	01176-61630	BOLT	3			KTA	0.072	0.1584
190	02076-60160	NUT	3			KTA	0.03	0.066
200	RC208-66300	ASSY CUTER SIDE RH	1			KTA	1.84	4.048
210	RC208-66940	CUTER SIDE RH	1			KTA	1.6	3.52
220	01176-61630	BOLT	3	≤=12439		KTA	0.072	0.1584
220	01176-61630	BOLT	3	≥=12440	↔	KTA	0.072	0.1584
230	02076-60160	NUT	3			KTA	0.03	0.066
240	RC401-66870	BUSH	1			KTA	0.85	1.87
250	RC401-66880	PLATE	1			KTA	0.29	0.638
260	01133-61025	BOLT	2			KTA	0.02	0.044
270	RC401-66890	SHIM	10			KTA	0.015	0.033
270	RC401-66840	SHIM	2			KTA 0.5MM	0.01	0.022
280	68761-66850	O RING	4				0.01	0.022
290	68131-67720	SHIM	4			1.0MM	0.024	0.0528
290	68131-67730	SHIM	1			1.6MM	0.036	0.0792

BLADE

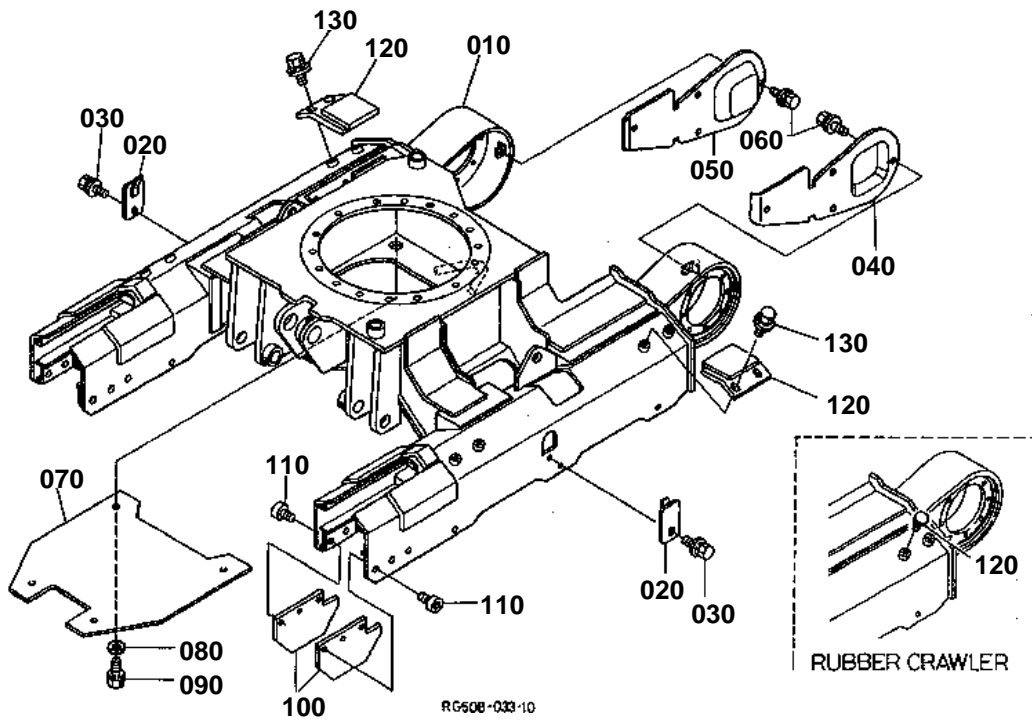


**BLADE**

↔ Interchangeable; ≠ not interchangeable; ← new for old; → old for new

REF.No	Part No.	Description	Q'ty	S.No.	I/C	REMARKS	Weight (kgf)	Weight (lb)
010	RC308-74200	ASSY BLADE(L)	1			1500MM	150	330
020	99999-99999	BLANK	0				0	0
030	06616-25010	NIPPLE GREASE	2				0.008	0.0176
040	68741-74440	PIN	2				1.6	3.52
050	01173-61285	BOLT	2				0.08	0.176
060	02174-60120	NUT	4				0.01	0.022
070	RC101-74440	PIN	1				1.49	3.278
080	01176-61090	BOLT	1				0.054	0.1188
090	02118-60100	NUT	2				0.006	0.0132
100	68741-75120	PIN	1				1.62	3.564
110	01173-61285	BOLT	1				0.08	0.176
120	02174-60120	NUT	2				0.01	0.022

TRACK FRAME



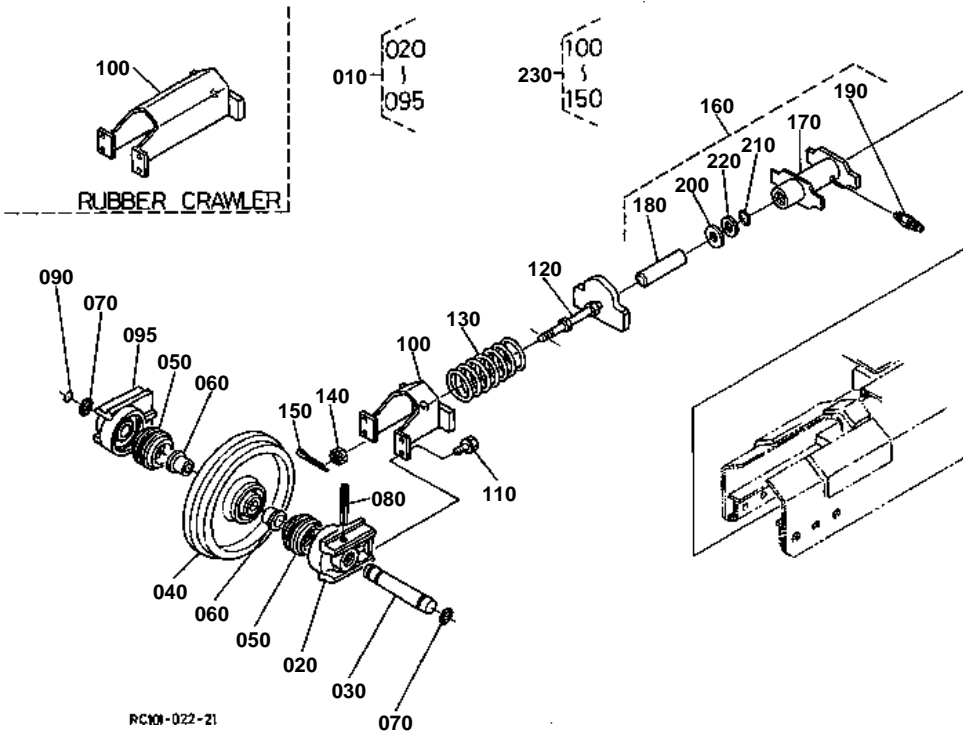


## TRACK FRAME

↔ Interchangeable; ≠ not interchangeable; ← new for old; → old for new

REF.No	Part No.	Description	Q'ty	S.No.	I/C	REMARKS	Weight (kgf)	Weight (lb)
010	RC308-21110	FRAME TRACK	1				0	0
020	RC108-21140	COVER	2				0.172	0.3784
030	01135-61020	BOLT	2				0.015	0.033
040	RC308-21150	COVER MOTOR LH	1				1.8	3.96
050	RC308-21160	COVER MOTOR RH	1				1.8	3.96
060	01135-61020	BOLT	8				0.015	0.033
070	68328-21170	COVER	1				4.75	10.45
080	04015-60100	WASHER PLAIN	4				0.015	0.033
090	01133-61025	BOLT	4				0.02	0.044
100	68311-21182	GUIDE	4			IRON CRAWLER	1.64	3.608
110	68541-21180	BOLT HEX-SOC-HD	12			IRON CRAWLER	0.033	0.0726
120	RC208-21810	PLATE	4			IRON CRAWLER	1.92	4.224
120	06331-35012	PLUG	8			RUBBER CRAWLER	0.022	0.0484
130	01135-61230	BOLT	8			IRON CRAWLER	0.05	0.11

IDLER



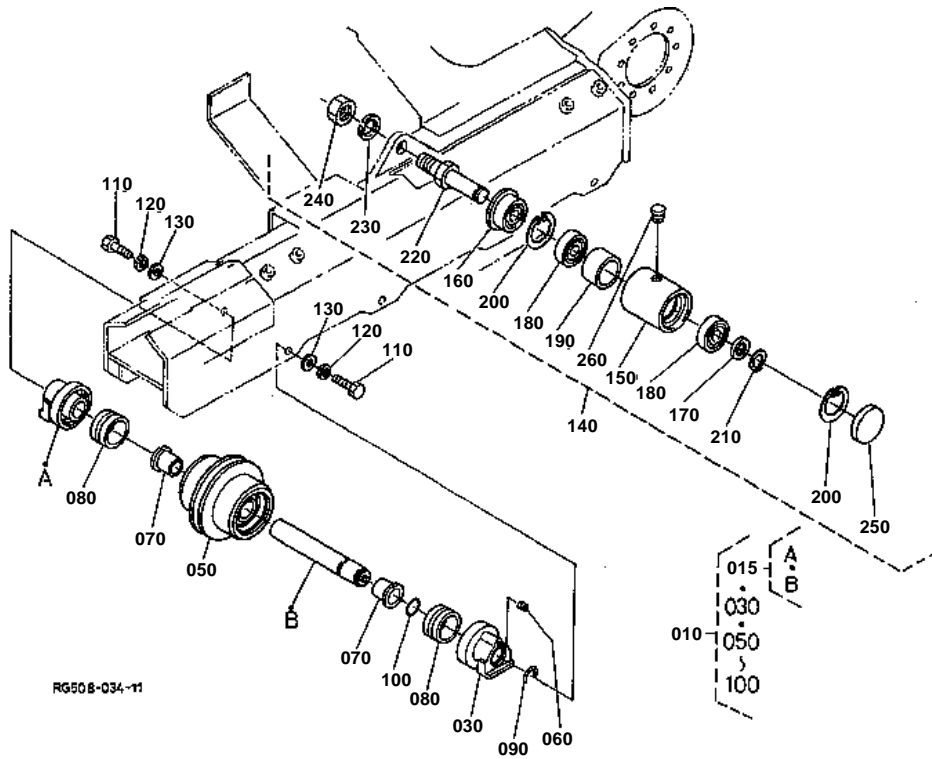


IDLER

↔ Interchangeable; ≠ not interchangeable; ← new for old; → old for new

REF.No	Part No.	Description	Q'ty	S.No.	I/C	REMARKS	Weight (kgf)	Weight (lb)
010	RC101-21300	ASSY WHEEL IDLER	2				26.5	58.3
020	RC101-21320	BRACKET	2				2.72	5.984
030	68761-21330	SHAFT IDLER	2				1.36	2.992
040	RC101-21340	WHEEL IDLER	2				18.6	40.92
050	68221-14630	SEAL FLOATING	4				0.19	0.418
060	68761-21360	BUSH	4				0.13	0.286
070	04811-50300	O RING	4				0	0
080	05411-01080	PIN SPRING	2				0.015	0.033
090	68761-21380	WIRE	2				0.01	0.022
095	RC101-21370	BRACKET	2				2.74	6.028
100	RC101-21450	YOKE	2			IRON CRAWLER	5.7	12.54
100	RC101-21412	YOKE CRAWLER RUBBER	2			RUBBER CRAWLER	11.5	25.3
110	01133-61230	BOLT	8				0.04	0.088
120	RC101-21430	RETAINER SPRING	2			IRON CRAWLER	3.35	7.37
130	68171-21422	SPRING	2			IRON CRAWLER	3.5	7.7
140	68741-21420	NUT	2			IRON CRAWLER	0.04	0.088
150	05511-50435	PIN SPLIT	2			IRON CRAWLER	0.004	0.0088
160	RC101-21500	ASSY CYLINDER	2	<=12439			6.8	14.96
160	RC501-21500	ASSY CYLINDER	2	>=12440	←		8.7	19.14
170	RC101-21510	TUBE CYLINDER	2	<=12439			5.12	11.264
170	RC501-21510	TUBE CYLINDER	2	>=12440	←		5.8	12.76
180	RC101-21570	ROD	2	<=12439			1.6	3.52
180	RC501-21570	ROD	2	>=12440	←		2.3	5.06
190	RC101-21552	ASSY NIPPLE	2				0.075	0.165
200	68241-21550	SEAL ROD	2	<=12439			0.01	0.022
200	44312-23460	SEAL DUST	2	>=12440	←		0.006	0.0132
210	04810-00400	O RING	2	<=12439			0	0
210	04810-08500	O RING	2	>=12440	←		0	0
220	68051-62370	RING BACK UP	2	<=12439			0.001	0.0022
220	48100-15840	RING BACK UP	2	>=12440	←		0.002	0.0044
230	RC101-21400	ASSY SPRING	2			IRON CRAWLER	12.66	27.852

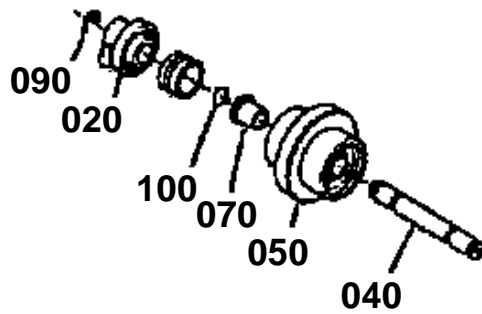
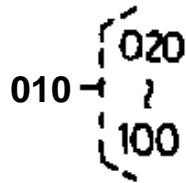
# TRACK ROLLER





TRACK ROLLER

- 010 RC301-2180-0
- 020 RC301-2183-0
- 040 RC301-2184-0
- 050 RC301-2185-0
- 070 RC301-2174-0
- 090 RC301-2186-0
- 100 04811-50250



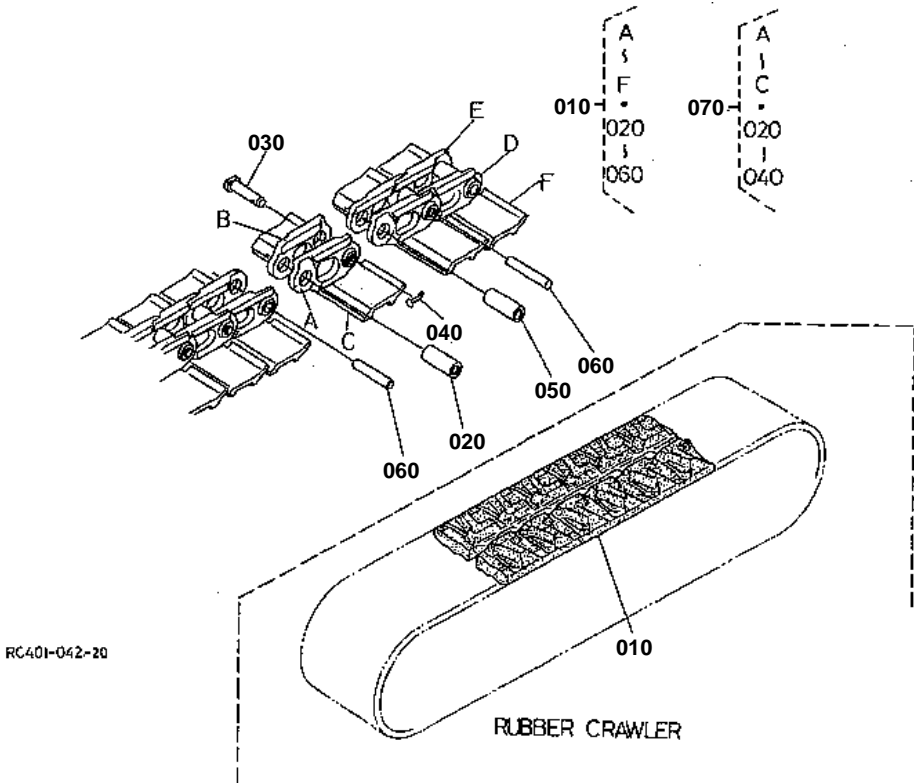
RG408-800-10

**TRACK ROLLER**

↔ Interchangeable; ≠ not interchangeable; ← new for old; → old for new

REF.No	Part No.	Description	Q'ty	S.No.	I/C	REMARKS	Weight (kgf)	Weight (lb)
010	RC301-21800	ASSY ROLLER TRACK	6	<=11857			0	0
010	RC301-21902	ASSY ROLLER TRACK	6	>=11858	↔		8.2	18.04
010	RC301-21902	ASSY ROLLER TRACK	6	>=12423	←		8.2	18.04
015	RC301-21912	ASSY SHAFT	6	>=11858			1.8	3.96
015	RC301-21912	ASSY SHAFT	1	>=12423	←		1.8	3.96
020	RC301-21830	BRACKET TRACK ROLLER	6	<=11857			0.758	1.6676
030	RC301-21870	BRACKET TRACK ROLLER	6				0.738	1.6236
040	RC301-21840	SHAFT TRACK ROLLER	6	<=11857			1.026	2.2572
050	RC301-21950	ROLLER TRACK	6	<=11857			4.96	10.912
050	RC301-21950	ROLLER TRACK	6	>=11858	↔		4.96	10.912
060	15521-96020	PLUG	6				0.003	0.0066
070	RC301-21960	BUSH	12	<=11857			0.05	0.11
070	RC301-21960	BUSH	12	>=11858	↔		0.05	0.11
080	RC301-21730	SEAL	12				0.109	0.2398
090	RC301-21860	WIRE	12	<=11857			0.001	0.0022
090	RC301-21860	WIRE	6	>=11858			0.001	0.0022
100	04811-50250	O RING	12	<=11857			0	0
100	04811-50250	O RING	6	>=11858			0	0
110	01176-61230	BOLT	12	<=12422			0.036	0.0792
110	RC601-21850	BOLT	12	>=12423	←		0.05	0.11
120	04512-60120	WASHER SPRING	12				0.005	0.011
130	RC101-21790	WASHER	12				0.1	0.22
140	RC208-21904	ASSY ROLLER CARRIER	2	<=12550			3.02	6.644
140	RC208-21904	ASSY ROLLER CARRIER	2	>=12551	←		3.02	6.644
150	RC201-21952	ROLLER CARRIER	2				1.45	3.19
160	52300-16660	SEAL OIL	2				0.061	0.1342
170	68351-21960	SPACER	2				0.006	0.0132
180	08101-06006	BEARING BALL	4	<=12550			0.13	0.286
180	RD301-18290	BEARING BALL	4	>=12551	←		0.118	0.2596
190	RC201-21970	COLLAR	2				0.15	0.33
200	04611-00550	CIR CLIP INTERNAL	4				0.01	0.022
210	04612-00300	CIR CLIP EXTERNAL	2				0.003	0.0066
220	68311-21920	SHAFT CARRIER ROLLER	2				0	0
230	69201-66320	WASHER SPRING	2				0.07	0.154
240	69201-66390	NUT	2				0.145	0.319
250	66593-32240	CAP	2				0.028	0.0616
260	15521-96020	PLUG	2				0.003	0.0066

CRAWLER



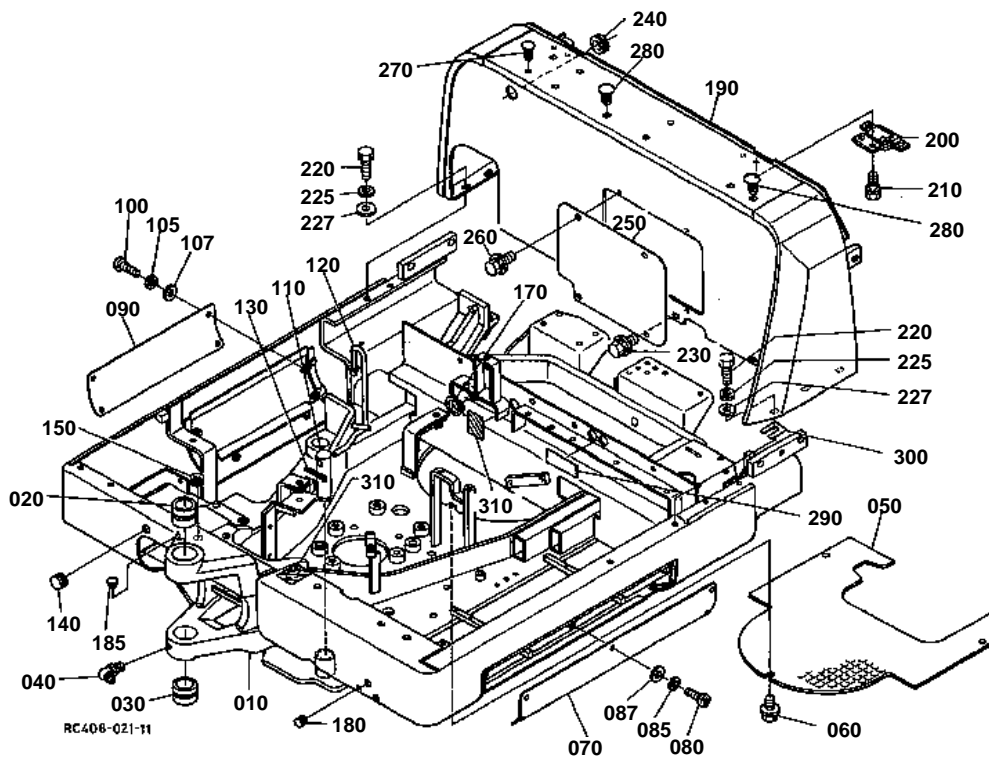


# CRAWLER

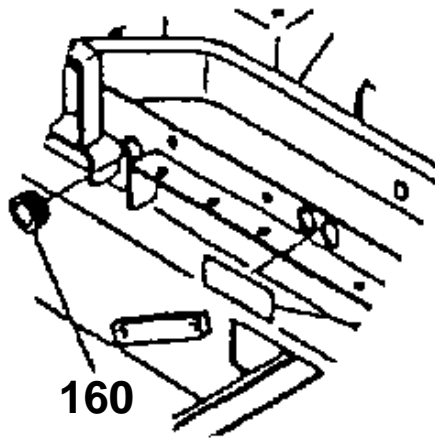
↔ Interchangeable; ≠ not interchangeable; ← new for old; → old for new

REF.No	Part No.	Description	Q'ty	S.No.	I/C	REMARKS	Weight (kgf)	Weight (lb)
010	RC308-22100	ASSY CRAWLER	2			IRON CRAWLER	165	363
010	RC301-22310	CRAWLER RUBBER	2	<=12197		RUBBER CRAWLER	0	0
010	RC301-22312	CRAWLER RUBBER	2	>=12198	←	RUBBER CRAWLER	0	0
010	RC301-22313	CRAWLER RUBBER	2	>=12223	←	RUBBER CRAWLER	100	220
020	69110-22230	BUSH	2			IRON CRAWLER	0.155	0.341
030	69110-22242	PIN MASTER	2			IRON CRAWLER	0.18	0.396
040	68351-22190	PIN SET	2			IRON CRAWLER	0.007	0.0154
050	69110-22230	BUSH	80			IRON CRAWLER	0.155	0.341
060	69110-22290	PIN TRACK	80			IRON CRAWLER	0.157	0.3454
070	68391-22252	ASSY LINK MASTER	2			IRON CRAWLER	3.9	8.58

# SWIVEL FRAME



160 90407-1121-0



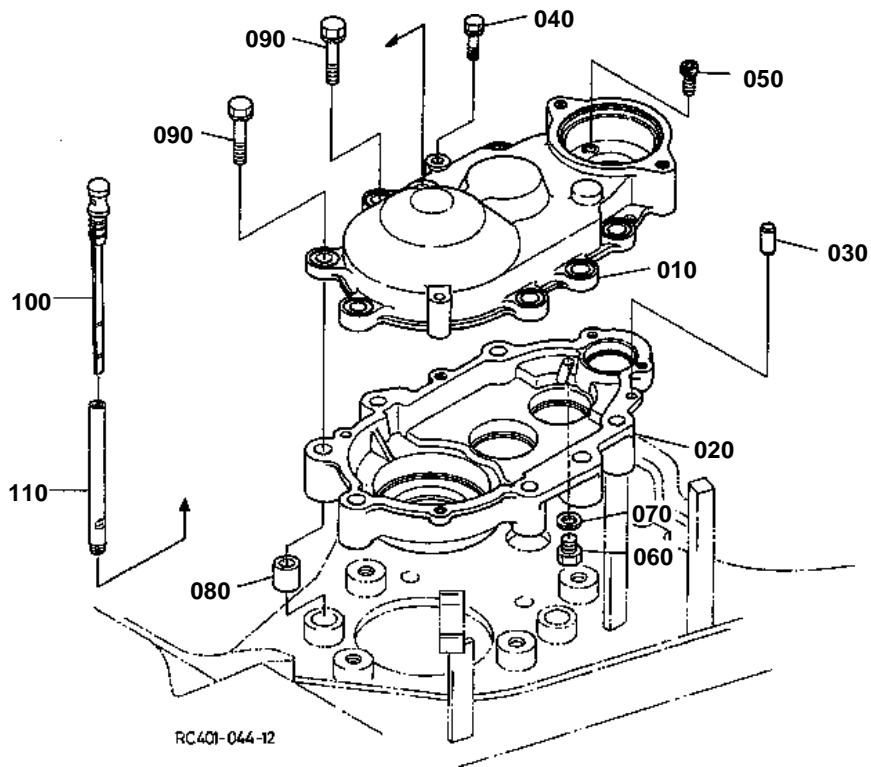
RC408-815-10

**SWIVEL FRAME**

↔ Interchangeable; ≠ not interchangeable; ← new for old; → old for new

REF.No	Part No.	Description	Q'ty	S.No.	I/C	REMARKS	Weight (kgf)	Weight (lb)
010	RC408-41313	FRAME SWING	1			<=DEC.98	0	0
010	RC408-41314	FRAME SWING	1		≠	>=JAN.99	0	0
010	RC408-41315	FRAME SWING	1		←		0	0
020	68311-41120	BUSH	1				0.57	1.254
030	68311-41130	BUSH	1				0.43	0.946
040	06616-35010	NIPPLE GREASE	1				0.009	0.0198
050	RC308-41150	COVER	1	<=12550			4.5	9.9
050	RC301-41150	COVER	1	>=12551	↔		4.5	9.9
060	01135-61020	BOLT	3				0.015	0.033
070	RC108-41160	COVER	1				2.36	5.192
080	RC101-41140	BOLT HEX-SOC-HD	5				0.01	0.022
085	04512-60080	WASHER SPRING	5				0.002	0.0044
087	04013-60080	WASHER PLAIN	5				0.002	0.0044
090	RC108-41170	COVER	1				1.54	3.388
100	RC101-41140	BOLT HEX-SOC-HD	4				0.01	0.022
105	04512-60080	WASHER SPRING	4				0.002	0.0044
107	04013-60080	WASHER PLAIN	4				0.002	0.0044
110	RD101-41180	PIN SWING LOCK	1				0.89	1.958
120	RC101-41190	LEVER SWING LOCK	1				0.35	0.77
130	05511-50325	PIN SPLIT	1				0.002	0.0044
140	68331-51430	GROMMET	1				0.01	0.022
150	68551-51250	CUSHION	1				0.001	0.0022
160	90407-11210	GROMMET	1			<=DEC.98	0.006	0.0132
170	68493-42750	GROMMET	1				0.001	0.0022
180	68588-82530	GROMMET	1				0.005	0.011
185	68741-66560	CAP	1				0.001	0.0022
190	RC408-41415	FRAME ARCH	1	<=11894			100	220
190	RC408-41415	FRAME ARCH	1	>=11895	←		100	220
190	RC408-41415	FRAME ARCH	1	>=12024	←		100	220
200	RC108-41240	HINGE	2				0.76	1.672
210	01133-61020	BOLT	4				0.02	0.044
220	01176-61240	BOLT	5				0.044	0.0968
225	04512-60120	WASHER SPRING	5				0.005	0.011
227	69110-42120	WASHER	5				0.018	0.0396
230	01135-61025	BOLT	4				0.04	0.088
240	68331-51440	GROMMET	1				0.015	0.033
250	RC108-41230	COVER	1				1.78	3.916
260	01135-61020	BOLT	4				0.015	0.033
270	RC101-41290	PLUG	4				0.002	0.0044
280	RC101-41280	PLUG	2			CANOPY	0.008	0.0176
290	RC101-41380	LABEL 1	1			CANOPY	0.001	0.0022
300	RC101-41270	SHIM	2				0.003	0.0066
300	68311-41250	SHIM	2				0.003	0.0066
310	68311-41380	LABEL SET	1			<=DEC.98	0.001	0.0022
310	68311-41380	LABEL SET	2			>=JAN.99	0.001	0.0022

SWIVEL GEAR CASE





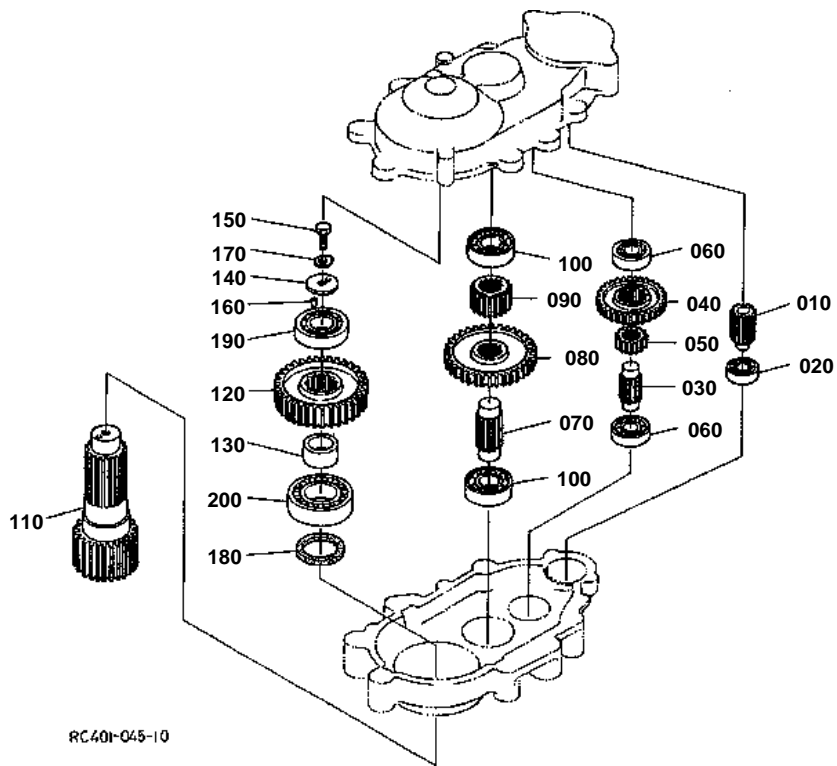


## SWIVEL GEAR CASE

↔ Interchangeable; ≠ not interchangeable; ← new for old; → old for new

REF.No	Part No.	Description	Q'ty	S.No.	I/C	REMARKS	Weight (kgf)	Weight (lb)
010	68391-17110	COVER GEAR CASE	1				8.5	18.7
020	68741-17135	CASE GEAR SWING	1				10	22
030	05012-01022	PIN STRAIGHT	2				0.014	0.0308
040	01133-61060	BOLT	2				0.04	0.088
050	01315-11020	BOLT HEX-SOC-HD	2				0.02	0.044
060	06331-35016	PLUG	1				0.04	0.088
070	04717-01600	WASHER WITH RUBBER	1				0.003	0.0066
080	68773-17190	KNOCK COLLAR	2				0.1	0.22
090	01133-61600	BOLT	7				0.178	0.3916
100	RC301-17150	GAUGE FUEL	1				0.03	0.066
110	RC301-17160	PIPE	1				0.19	0.418

# SWIVEL GEAR

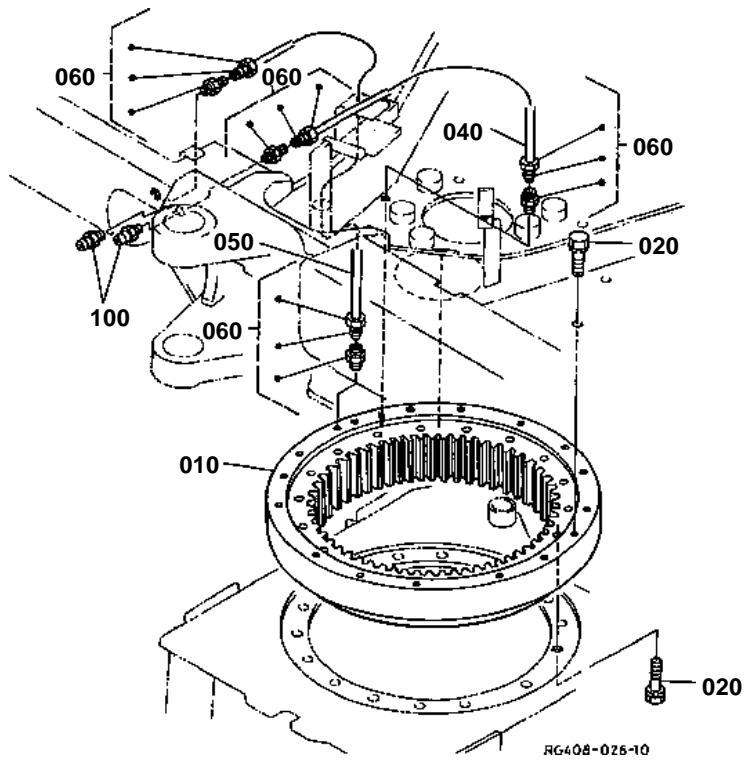


**SWIVEL GEAR**

↔ Interchangeable; ≠ not interchangeable; ← new for old; → old for new

REF.No	Part No.	Description	Q'ty	S.No.	I/C	REMARKS	Weight (kgf)	Weight (lb)
010	68741-13110	GEAR	1				0.21	0.462
020	08101-06006	BEARING BALL	1				0.13	0.286
030	68741-18210	SHAFT	1				0.2	0.44
040	68741-18220	GEAR	1				0.65	1.43
050	68741-18240	GEAR	1				0.26	0.572
060	08101-06305	BEARING BALL	2				0.23	0.506
070	68741-18310	SHAFT	1				0.6	1.32
080	68741-18340	GEAR	1				1.28	2.816
090	68741-18330	GEAR	1				0.46	1.012
100	38450-25350	BEARING BALL	2				0.345	0.759
110	RC301-18410	SHAFT PINION	1				4.5	9.9
120	68741-18440	GEAR	1				4.92	10.824
130	68741-18430	COLLAR	1				0.23	0.506
140	68131-31480	WASHER	1				0.12	0.264
150	01173-61225	BOLT	1				0.034	0.0748
160	05012-00410	PIN STRAIGHT	1				0.001	0.0022
170	68131-31430	WASHER WITH CLAW	1				0.01	0.022
180	09506-08012	SEAL OIL	1				0.038	0.0836
190	08101-06309	BEARING BALL	1				0.82	1.804
200	08621-00311	BEARING ROLLER	1				1.48	3.256

# SWIVEL BEARING



SWIVEL BEARING

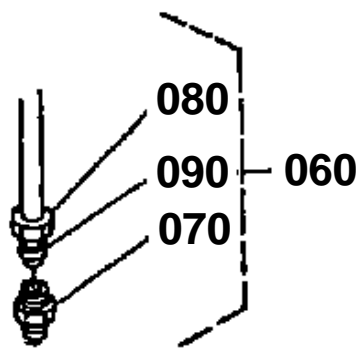
---

060 68241-6747-0

070 68241-6748-0

080 68331-4135-0

090 68331-4134-0



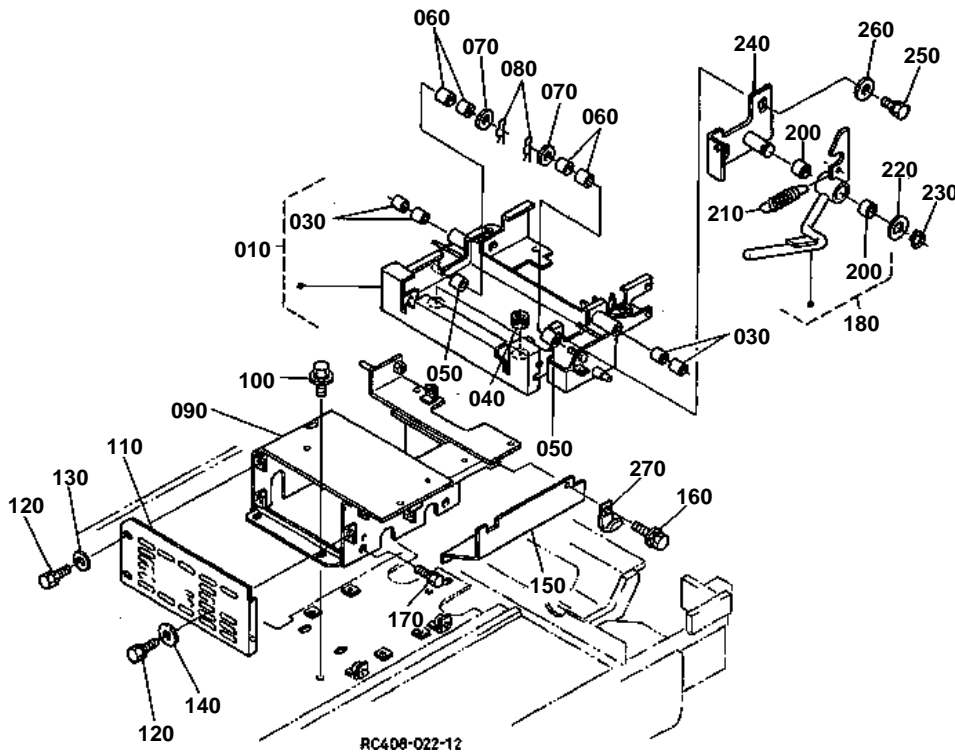
RG408-801-10

**SWIVEL BEARING**

↔ Interchangeable; ≠ not interchangeable; ← new for old; → old for new

REF.No	Part No.	Description	Q'ty	S.No.	I/C	REMARKS	Weight (kgf)	Weight (lb)
010	RC301-19110	BEARING SWIVEL	1				35.8	78.76
020	01138-61635	BOLT	31	<=12550			0.02	0.044
020	01138-51635	BOLT	31	>=12551	↔		0.45	0.99
030	99999-99999	BLANK	0				0	0
040	69241-19220	TUBE GREASE	1	<=12250			0	0
040	RC108-19220	TUBE GREASE	1	>=12251	≠		0.03	0.066
050	68271-67470	PIPE GREASE	1	<=12250			0.01	0.022
050	RC108-19210	TUBE GREASE	1	>=12251	≠		0.02	0.044
060	68241-67470	CONNECTOR	4	<=12250			0.013	0.0286
060	68721-67480	CONNECTOR	4	>=12251	≠		0.02	0.044
070	68241-67480	BODY CONNECTOR	4	<=12250			0.01	0.022
080	68331-41350	NUT	4	<=12250			0.002	0.0044
090	68331-41340	SLEEVE	4	<=12250			0.001	0.0022
100	06611-15010	NIPPLE GREASE	2				0.01	0.022

SEAT SUPPORT





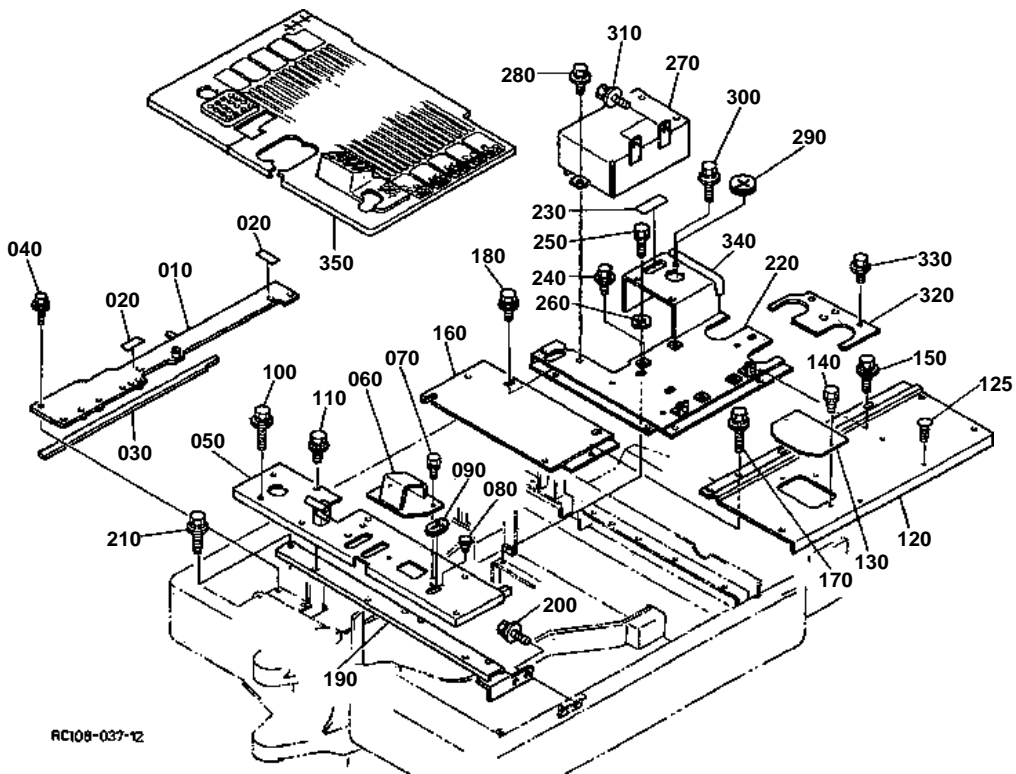
# SEAT SUPPORT

↔ Interchangeable; ≠ not interchangeable; ← new for old; → old for new

REF.No	Part No.	Description	Q'ty	S.No.	I/C	REMARKS	Weight (kgf)	Weight (lb)
010	RC101-38102	ASSY SUPPORT SEAT	1	<=11894			10.1	22.22
010	RC108-38200	ASSY SUPPORT SEAT	1	>=11895	≠		16.7	36.74
020	99999-99999	BLANK	0				0	0
030	08511-02020	BUSH	4				0.01	0.022
040	68748-53120	GROMMET	2				0.015	0.033
050	RC101-38160	COLLAR	2				0.009	0.0198
060	08511-01008	BUSH	4				0.002	0.0044
070	04013-60100	WASHER PLAIN	2				0.003	0.0066
080	05525-61000	PIN SNAP	2				0.002	0.0044
090	RC408-38142	SUPPORT SEAT	1	<=12301			0	0
090	RC408-38143	SUPPORT SEAT	1	>=12302	←		8	17.6
100	01135-61025	BOLT	8				0.04	0.088
110	RC101-38210	COVER SEAT SUPPORT	1				0.66	1.452
120	01222-50616	BOLT	3				0.005	0.011
130	04013-60060	WASHER PLAIN	2				0.001	0.0022
140	04015-60060	WASHER PLAIN	1				0.005	0.011
150	RC408-38150	COVER	1				1.04	2.288
160	01025-60616	BOLT	2				0.01	0.022
170	01123-60820	BOLT	3				0.015	0.033
180	RC108-38300	ASSY LEVER LOCK	1				0.2	0.44
190	99999-99999	BLANK	0				0	0
200	08511-01410	BUSH	2				0.005	0.011
210	52200-33550	SPRING BRAKE RETURN	1				0.01	0.022
220	04013-60140	WASHER PLAIN	1				0.01	0.022
230	04612-00140	CIR CLIP EXTERNAL	1				0.001	0.0022
240	RC101-38310	BRACKET LOCK	1				0.2	0.44
250	01133-61025	BOLT	2				0.02	0.044
260	04013-60100	WASHER PLAIN	2				0.003	0.0066
270	15272-67580	CLAMP CORD	1				0.021	0.0462



STEP

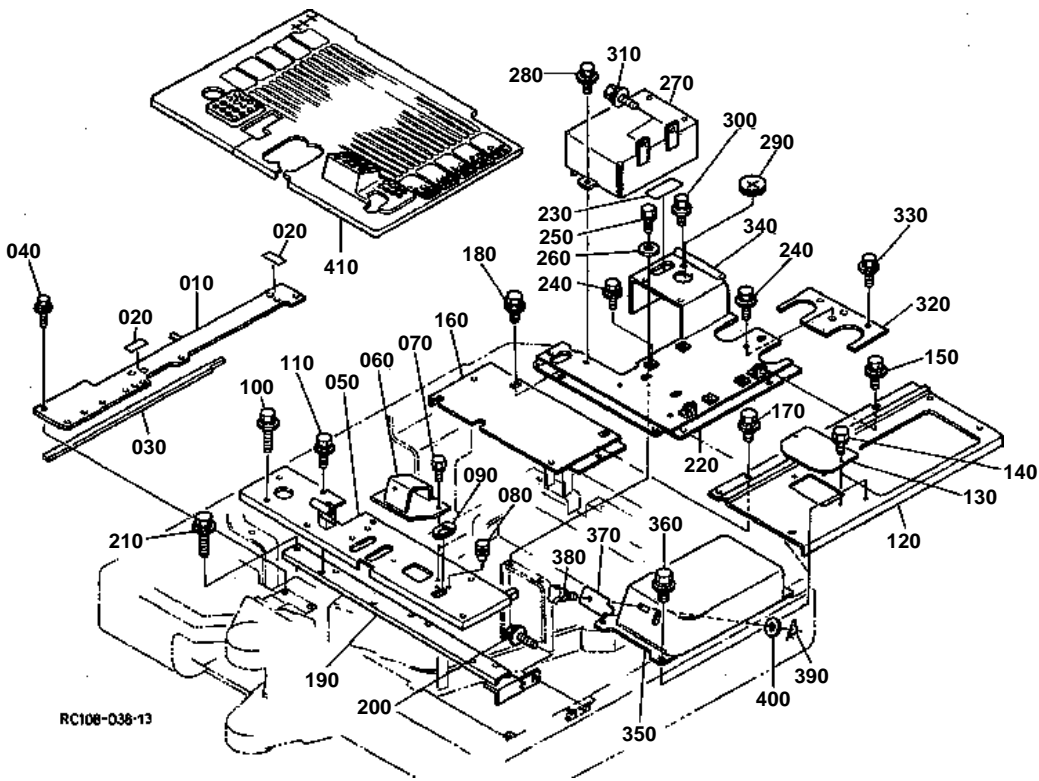


**STEP**

↔ Interchangeable; ≠ not interchangeable; ← new for old; → old for new

REF.No	Part No.	Description	Q'ty	S.No.	I/C	REMARKS	Weight (kgf)	Weight (lb)
010	RC301-44113	SUPPORT STEP	1				3.5	7.7
020	RC101-44680	LABEL SET	2				0.001	0.0022
030	RC101-44230	SPONGE	1				0.017	0.0374
040	01135-61030	BOLT	4				0.028	0.0616
050	RC108-44120	STEP	1				4	8.8
060	RC408-44220	COVER STEP	1				1.04	2.288
070	01123-60814	BOLT	2				0.01	0.022
080	38240-29870	CUSHION	1				0.004	0.0088
090	RC101-44080	GROMMET	1				0.003	0.0066
100	01135-61040	BOLT	3				0.033	0.0726
110	01135-61020	BOLT	3				0.015	0.033
120	RC108-44130	STEP	1	<=11857			5.5	12.1
120	RC108-44132	STEP	1	>=11858	≠		5	11
125	RC101-41290	PLUG	4				0.002	0.0044
130	RC108-44210	COVER STEP	1	<=11857			0.35	0.77
130	RC108-44212	COVER STEP	1	>=11858	≠		0.1	0.22
140	01133-61016	BOLT	2				0.018	0.0396
150	01135-61025	BOLT	7				0.04	0.088
160	RC101-44150	STEP	1				2.8	6.16
170	01135-61040	BOLT	1				0.033	0.0726
180	01135-61020	BOLT	3				0.015	0.033
190	RC101-44823	SUPPORT STEP	1				2.3	5.06
200	01135-61025	BOLT	2				0.04	0.088
210	01135-61040	BOLT	1				0.033	0.0726
220	RC408-44160	STEP	1				10	22
230	RC101-44690	LABEL SET	1				0.002	0.0044
240	01135-61030	BOLT	3				0.028	0.0616
250	01133-61030	BOLT	2				0.023	0.0506
260	04015-60100	WASHER PLAIN	2				0.015	0.033
270	RC408-44840	COVER CANOPY	1			CANOPY	2.85	6.27
270	RD308-44830	COVER RH	1		≠		2.63	5.786
270	RC408-44830	COVER CABIN RH	1			CABIN	2.8	6.16
270	RD308-44830	COVER RH	1		≠	CABIN	2.63	5.786
280	01135-61020	BOLT	3				0.015	0.033
290	RC101-44850	GROMMET	1				0.012	0.0264
300	01135-61040	BOLT	1				0.033	0.0726
310	01135-61020	BOLT	2				0.015	0.033
320	RC101-44170	COVER	1				0.4	0.88
330	01135-61020	BOLT	2				0.015	0.033
340	RC101-44180	TRIM	1				0.02	0.044
350	RC108-44190	MAT CANOPY	1			CANOPY	4.8	10.56
350	RC108-44940	MAT CABIN	1			CABIN	1	2.2

STEP

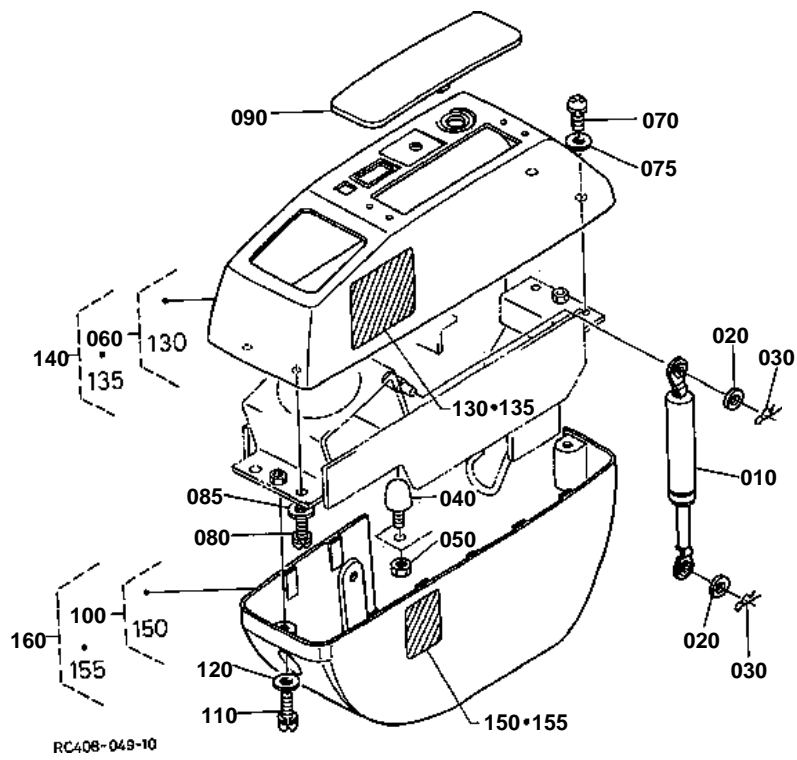


**STEP**

↔ Interchangeable; ≠ not interchangeable; ← new for old; → old for new

REF.No	Part No.	Description	Q'ty	S.No.	I/C	REMARKS	Weight (kgf)	Weight (lb)
010	RC301-44113	SUPPORT STEP	1				3.5	7.7
020	RC101-44680	LABEL SET	2				0.001	0.0022
030	RC101-44230	SPONGE	1				0.017	0.0374
040	01135-61030	BOLT	4				0.028	0.0616
050	RC108-44120	STEP	1				4	8.8
060	RC408-44220	COVER STEP	1				1.04	2.288
070	01123-60814	BOLT	2				0.01	0.022
080	38240-29870	CUSHION	1				0.004	0.0088
090	RC101-44080	GROMMET	1				0.003	0.0066
100	01135-61040	BOLT	3				0.033	0.0726
110	01135-61020	BOLT	3				0.015	0.033
120	RC108-44140	STEP	1	<=11857			4.5	9.9
120	RC108-44142	STEP	1	>=11858	≠		4	8.8
130	RC108-44210	COVER STEP	1	<=11857			0.35	0.77
130	RC108-44212	COVER STEP	1	>=11858	≠		0.1	0.22
140	01133-61016	BOLT	2				0.018	0.0396
150	01135-61025	BOLT	7				0.04	0.088
160	RC101-44150	STEP	1				2.8	6.16
170	01135-61040	BOLT	1				0.033	0.0726
180	01135-61020	BOLT	3				0.015	0.033
190	RC101-44823	SUPPORT STEP	1				2.3	5.06
200	01135-61025	BOLT	2				0.04	0.088
210	01135-61040	BOLT	1				0.033	0.0726
220	RC408-44160	STEP	1				10	22
230	RC101-44690	LABEL SET	1				0.002	0.0044
240	01135-61030	BOLT	3				0.028	0.0616
250	01133-61030	BOLT	2				0.023	0.0506
260	04015-60100	WASHER PLAIN	2				0.015	0.033
270	RC408-44840	COVER CANOPY	1			CANOPY	2.85	6.27
270	RD308-44830	COVER RH	1		≠	CANOPY	2.63	5.786
270	RC408-44830	COVER CABIN RH	1			CABIN	2.8	6.16
270	RD308-44830	COVER RH	1		≠	CABIN	2.63	5.786
280	01135-61020	BOLT	3				0.015	0.033
290	RC101-44850	GROMMET	1				0.012	0.0264
300	01135-61040	BOLT	1				0.033	0.0726
310	01135-61020	BOLT	2				0.015	0.033
320	RC101-44170	COVER	1				0.4	0.88
330	01135-61020	BOLT	2				0.015	0.033
340	RC101-44180	TRIM	1				0.02	0.044
350	RD108-96710	COVER JD	1	<=11857			4.5	9.9
350	RD108-96712	COVER JD	1	>=11858	≠		3	6.6
360	01135-61025	BOLT	2				0.04	0.088
370	RD108-96740	PLATE JD	1				0.068	0.1496
380	RD108-96750	BOLT KNOB	1				0.01	0.022
390	05525-60600	PIN SNAP	1				0.001	0.0022
400	04013-60060	WASHER PLAIN	3				0.001	0.0022
410	RC108-44190	MAT CANOPY	1			CANOPY	4.8	10.56
410	RC108-44940	MAT CABIN	1			CABIN	1	2.2

COVER (LEFT)

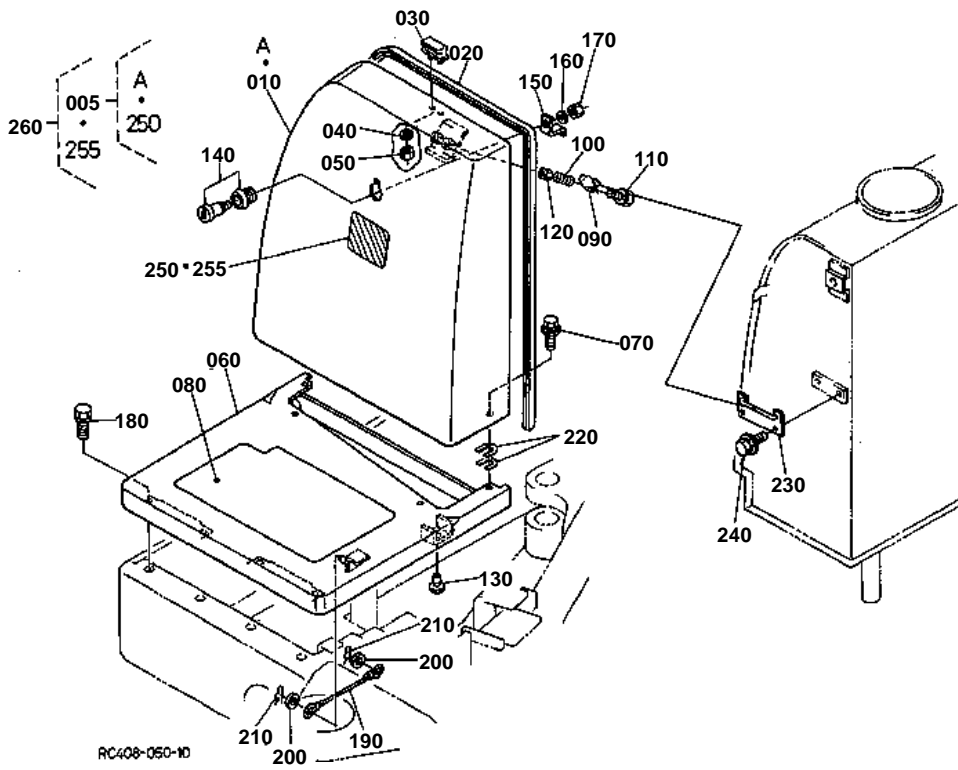


**COVER (LEFT)**

↔ Interchangeable; ≠ not interchangeable; ← new for old; → old for new

REF.No	Part No.	Description	Q'ty	S.No.	I/C	REMARKS	Weight (kgf)	Weight (lb)
010	RC101-44552	DAMPER	1				0.17	0.374
020	04013-60080	WASHER PLAIN	2				0.002	0.0044
030	05525-50800	PIN SNAP	2				0.001	0.0022
040	69181-48310	CUSHION	1				0.04	0.088
050	02114-60080	NUT	1				0.002	0.0044
060	RC108-91340	KIT COVER CANOPY(A)	1			CANOPY	0.53	1.166
060	RC108-91350	KIT COVER CAB(A)	1			CABIN	0.505	1.111
070	03004-60820	SCREW WITH WASHER	2				0.012	0.0264
075	04013-60080	WASHER PLAIN	2				0.002	0.0044
080	03004-60620	SCREW WITH WASHER	2				0.005	0.011
085	04013-60060	WASHER PLAIN	2				0.001	0.0022
090	RC101-44610	PLATE	1			CANOPY	0.08	0.176
090	RC101-44620	PLATE	1			CABIN	0.05	0.11
100	RC108-91310	KIT COVER LOWER L(A)	1				0.5	1.1
110	03004-60820	SCREW WITH WASHER	3				0.012	0.0264
120	04013-60080	WASHER PLAIN	3				0.002	0.0044
130	RC108-57630	LABEL	1			CANOPY ENGLISH	0.004	0.0088
130	RC108-57652	LABEL	1			CABIN ENGLISH	0.002	0.0044
135	RC108-57750	LABEL	1			CANOPY FRENCH	0.001	0.0022
135	RC108-58680	LABEL	1			CABIN FRENCH	0.001	0.0022
140	RC108-91640	KIT COVER CANOPY(B)	1			CANOPY	8	17.6
140	RC108-91650	KIT COVER CAB(B)	1			CABIN	2.5	5.5
150	RC108-57530	LABEL LEVER LOCK	1			ENGLISH	0.003	0.0066
155	RC108-58610	LABEL LEVER LOCK	1			FRENCH	0.001	0.0022
160	RC108-91610	KIT COVER LOWER L(B)	1				0.52	1.144

# COVER (TANK)



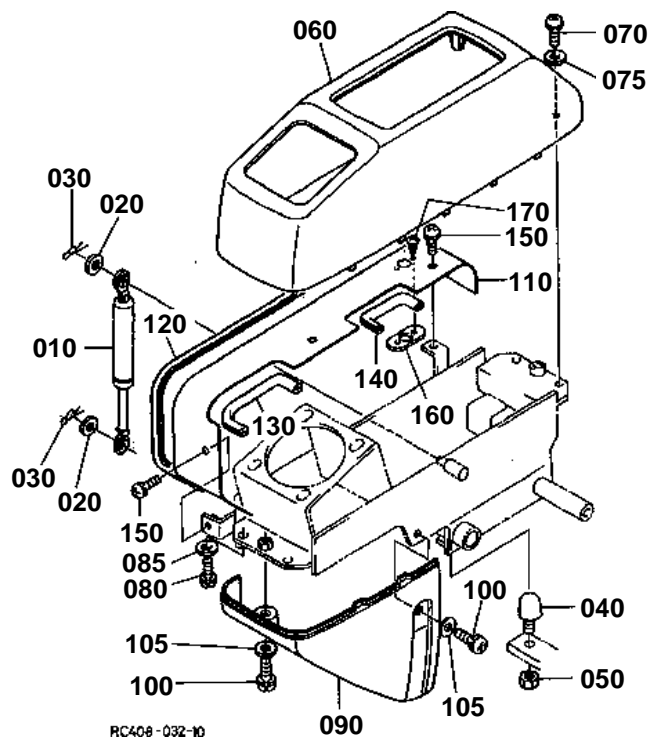
**COVER (TANK)**

↔ Interchangeable; ≠ not interchangeable; ← new for old; → old for new

REF.No	Part No.	Description	Q'ty	S.No.	I/C	REMARKS	Weight (kgf)	Weight (lb)
005	RC408-91440	KIT COVER UPPER L(A)	1			CANOPY	5.5	12.1
010	RC308-44417	COVER	1			CABIN	0	0
020	RC408-44420	TRIM	1				0.107	0.2354
030	RC408-44770	GRIP	1				0.031	0.0682
040	04512-60060	WASHER SPRING	2				0.001	0.0022
050	02014-60060	NUT	2				0.002	0.0044
060	RC308-44390	COVER TANK LOWER	1				4.9	10.78
070	01125-60816	BOLT	4				0.01	0.022
080	68391-44180	STOPPER	1				0.09	0.198
090	RC101-44860	STOPPER	1				0.01	0.022
100	RC101-44870	SPRING	2				0.004	0.0088
110	01053-60640	BOLT	2				0.009	0.0198
120	02012-60060	NUT	2				0.005	0.011
130	68351-43220	CUSHION	2				0.004	0.0088
140	RC101-43540	ASSY LOCK CYLINDER	1				0.12	0.264
150	RC101-44780	PLATE	1				0.063	0.1386
160	04512-60100	WASHER SPRING	1				0.002	0.0044
170	02114-60100	NUT	1				0.008	0.0176
180	01133-61020	BOLT	4				0.02	0.044
190	RC101-44380	ROPE COVER	1				0.01	0.022
200	04013-60080	WASHER PLAIN	2				0.002	0.0044
210	05525-50800	PIN SNAP	2				0.001	0.0022
220	RC101-44580	SHIM	10				0.001	0.0022
230	RC101-44465	CATCH	1				0.17	0.374
240	01135-61025	BOLT	2				0.04	0.088
250	RC108-57630	LABEL	1			CANOPY ENGLISH	0.004	0.0088
255	RC108-57750	LABEL	1			CANOPY FRENCH	0.001	0.0022
260	RC408-91740	KIT COVER TANK UP.(B)	1			CANOPY	5.5	12.1



# INSTRUMENT PANEL

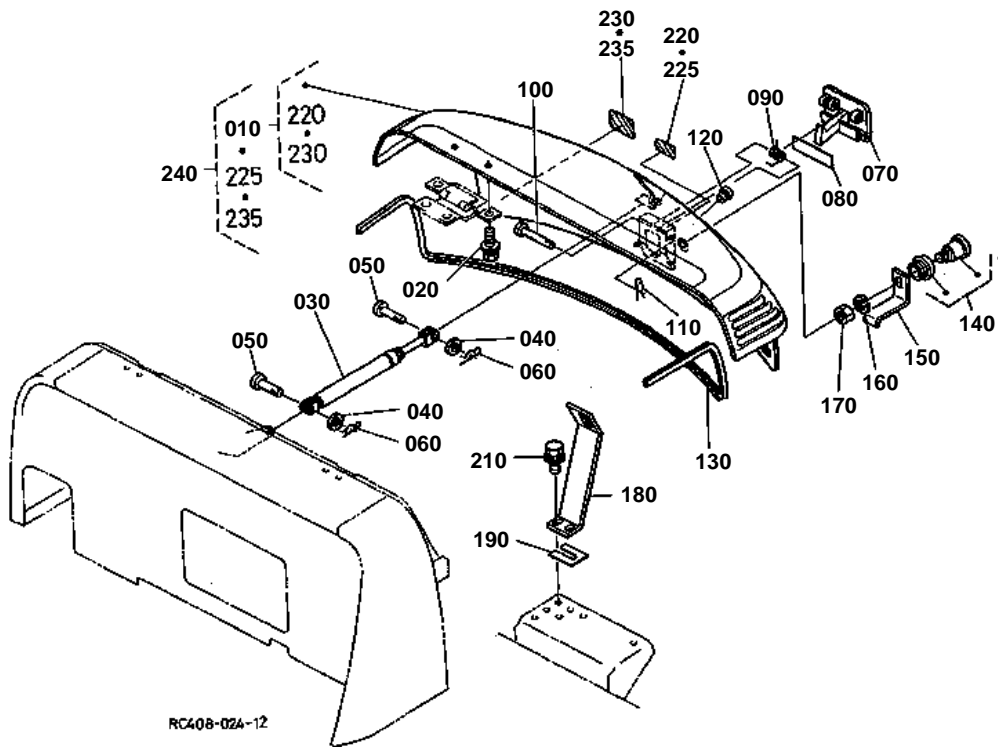


**INSTRUMENT PANEL**

↔ Interchangeable; ≠ not interchangeable; ← new for old; → old for new

REF.No	Part No.	Description	Q'ty	S.No.	I/C	REMARKS	Weight (kgf)	Weight (lb)
010	RC101-44552	DAMPER	1				0.17	0.374
020	04013-60080	WASHER PLAIN	2				0.002	0.0044
030	05525-50800	PIN SNAP	2				0.001	0.0022
040	69181-48310	CUSHION	1				0.04	0.088
050	02114-60080	NUT	1				0.002	0.0044
060	RC101-44740	COVER UPPER RH	1				0.6	1.32
070	03004-60820	SCREW WITH WASHER	2				0.012	0.0264
075	04013-60080	WASHER PLAIN	2				0.002	0.0044
080	03004-60620	SCREW WITH WASHER	2				0.005	0.011
085	04013-60060	WASHER PLAIN	2				0.001	0.0022
090	RC101-44730	COVER RH LOWER	1				0.3	0.66
100	03004-60820	SCREW WITH WASHER	2				0.012	0.0264
105	04013-60080	WASHER PLAIN	2				0.002	0.0044
110	RC108-53140	COVER	1				0.45	0.99
120	68651-48330	GROMMET	1				0.05	0.11
130	RC101-53550	GROMMET	1				0.014	0.0308
140	RC101-53560	GROMMET	1				0.012	0.0264
150	03004-60616	SCREW WITH WASHER	3				0.01	0.022
160	RC108-53120	PLATE	1				0.013	0.0286
170	03614-50410	SCREW TAPPING	2				0.002	0.0044

# BONNET

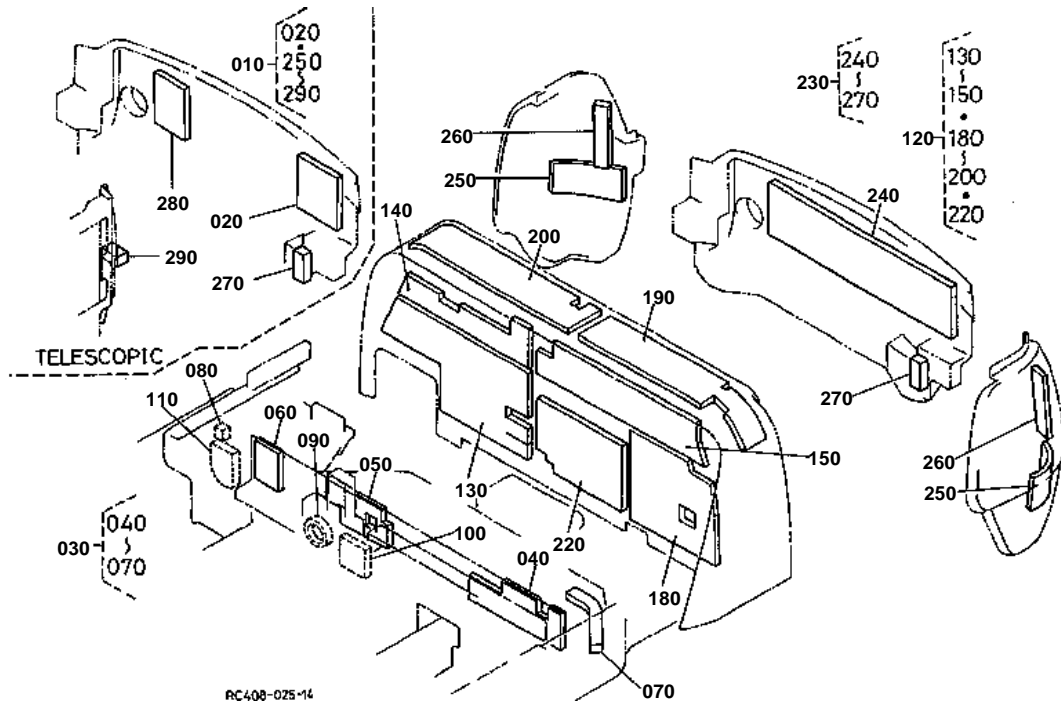


**BONNET**

↔ Interchangeable; ≠ not interchangeable; ← new for old; → old for new

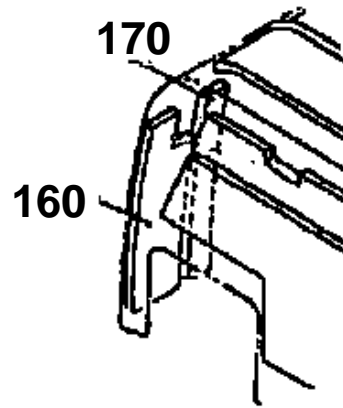
REF.No	Part No.	Description	Q'ty	S.No.	I/C	REMARKS	Weight (kgf)	Weight (lb)
010	RC408-91410	KIT BONNET (A)	1				25	55
020	01135-61020	BOLT	4				0.015	0.033
030	RC301-43450	DAMPER GAS	1				0.4	0.88
040	04013-60100	WASHER PLAIN	2				0.003	0.0066
050	05122-61028	PIN JOINT	2				0.02	0.044
060	05515-61000	PIN SNAP	2				0.003	0.0066
070	RC108-43420	HOOK	1				0.38	0.836
080	69284-43820	PLATE PARTITION	1				0.001	0.0022
090	68311-43430	SPRING	1				0.01	0.022
100	69251-43433	PIN	1				0.06	0.132
110	05515-61000	PIN SNAP	1				0.003	0.0066
120	38240-29870	CUSHION	1				0.004	0.0088
130	RC301-43510	TRIM	1				0.3	0.66
140	RC101-43540	ASSY LOCK CYLINDER	1				0.12	0.264
150	RC101-43560	PLATE	1				0.04	0.088
160	04512-60100	WASHER SPRING	1				0.002	0.0044
170	02114-60100	NUT	1				0.008	0.0176
180	RC301-43572	BRACKET	1				1.73	3.806
190	68311-43480	SHIM	1			4.5MM	0.1	0.22
190	68311-43490	SHIM	2			2.3MM	0.05	0.11
200	99999-99999	BLANK	0				0	0
210	01135-61040	BOLT	2				0.033	0.0726
220	RC108-57140	LABEL	1			ENGLISH	0.002	0.0044
225	RC108-58650	LABEL	1			FRENCH	0.001	0.0022
230	RC108-57180	LABEL	1			ENGLISH	0.003	0.0066
235	RC108-58670	LABEL	1			FRENCH	0.001	0.0022
240	RC408-91710	KIT BONNET (B)	1				34	74.8

SPONGE (1)

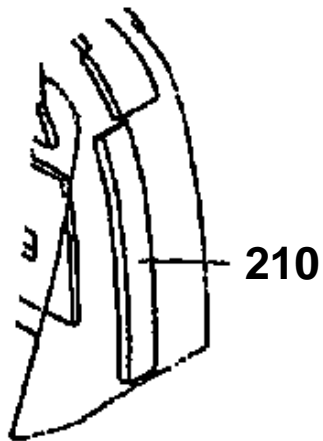


160 RC408-4197-0

170 RC408-4198-0



210 RC408-4199-0



RC408-800-10

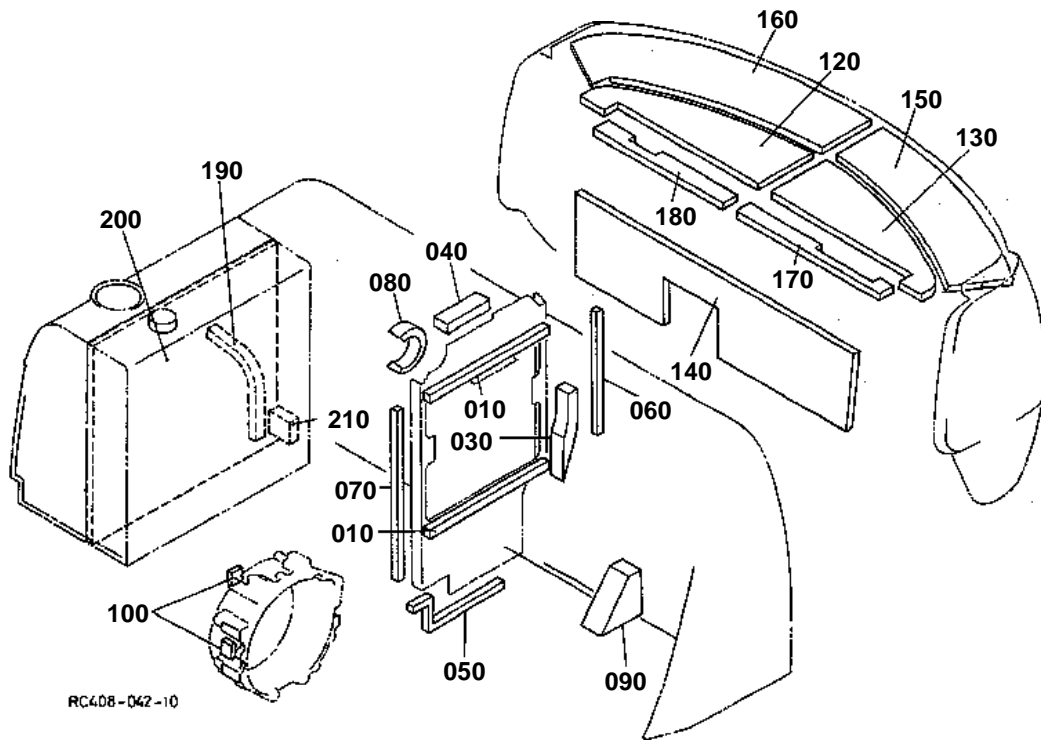


SPONGE (1)

↔ Interchangeable; ≠ not interchangeable; ← new for old; → old for new

REF.No	Part No.	Description	Q'ty	S.No.	I/C	REMARKS	Weight (kgf)	Weight (lb)
010	RC501-48303	KIT SPONGE	1			TELESCOPIC	0.163	0.3586
020	RC501-48290	SPONGE	1			TELESCOPIC	0.02	0.044
030	RC308-41500	KIT SPONGE	1				0.123	0.2706
040	RC301-41530	SPONGE	1				0.05	0.11
050	RC301-41550	SPONGE	1				0.05	0.11
060	RC301-41560	SPONGE	1				0.005	0.011
070	RC301-41580	SPONGE	1				0.005	0.011
080	RC101-41810	PLATE PARTITION FRA.	1				0.005	0.011
090	RC301-41820	PLATE PARTITION FRA.	1				0.1	0.22
100	RC101-41830	PLATE PARTITION FRA.	1				0.03	0.066
110	RC101-41840	PLATE PARTITION FRA.	1				0.035	0.077
120	RC408-41800	KIT SPONGE	1				2.5	5.5
130	RC408-41910	SPONGE	1				0.142	0.3124
140	RC408-41920	SPONGE	1				0.035	0.077
150	RC408-41940	SPONGE	1				0.05	0.11
160	RC408-41970	SPONGE	1	<=11737			0.023	0.0506
170	RC408-41980	SPONGE	1	<=11737			0.012	0.0264
180	RC408-41930	SPONGE	1				0.095	0.209
190	RC408-41950	SPONGE	1				0.072	0.1584
200	RC408-41960	SPONGE	1				0.069	0.1518
210	RC408-41990	SPONGE	1	<=11737			0.012	0.0264
220	RC101-41673	SPONGE	1				0.08	0.176
230	RC401-48303	KIT SPONGE	1				0.284	0.6248
240	RC401-48290	SPONGE	1				0.15	0.33
250	RC101-48370	SPONGE	2				0.025	0.055
260	RC101-48392	SPONGE	2				0.02	0.044
270	RC401-48270	SPONGE	1				0.04	0.088
280	RC501-48330	SPONGE	1			TELESCOPIC	0.014	0.0308
290	RC501-48260	SPONGE	1			TELESCOPIC	0.005	0.011

SPONGE (2)



RC608-062-10

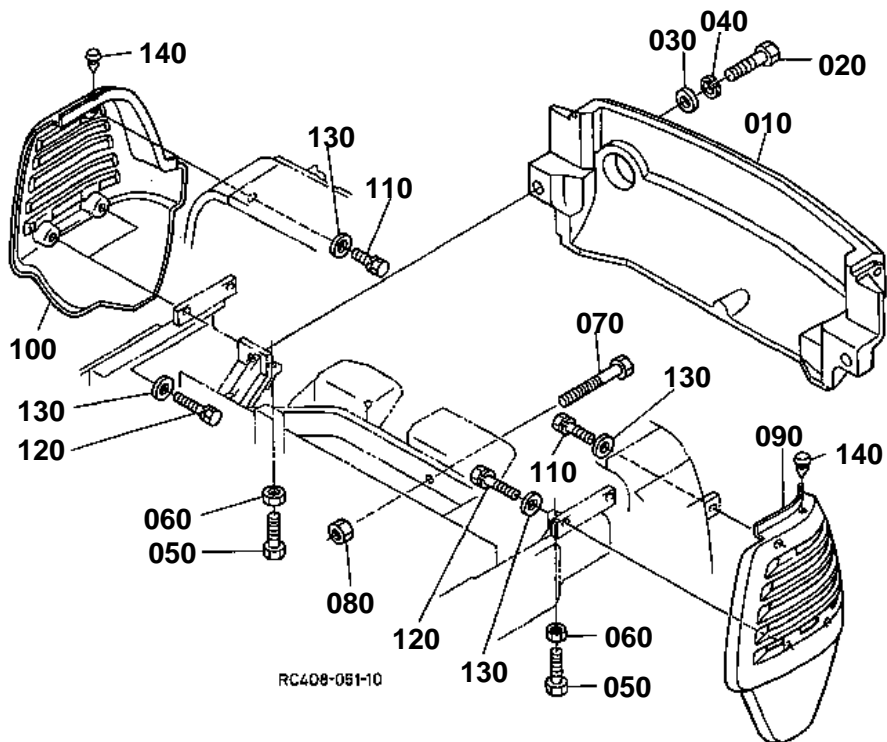




## SPONGE (2)

↔ Interchangeable; ≠ not interchangeable; ← new for old; → old for new

REF.No	Part No.	Description	Q'ty	S.No.	I/C	REMARKS	Weight (kgf)	Weight (lb)
010	68391-42910	SPONGE	2				0.005	0.011
020	99999-99999	BLANK	0				0	0
030	RC301-42720	SPONGE	1				0.02	0.044
040	RC301-42730	SPONGE	1				0.011	0.0242
050	RC301-42740	SPONGE	1				0.007	0.0154
060	RC301-42750	SPONGE	1				0.002	0.0044
070	RC301-42760	SPONGE	1				0.011	0.0242
080	RC301-42770	SPONGE	1				0.008	0.0176
090	RC301-42780	SPONGE	1				0.004	0.0088
100	RC401-42690	SPONGE HOUSING	2				0.002	0.0044
110	99999-99999	BLANK	0				0	0
120	RC301-43610	SPONGE	1				0.1	0.22
130	RC301-43620	SPONGE	1				0.1	0.22
140	RC301-43630	SPONGE	1				0.16	0.352
150	RC408-43660	SPONGE	1				0.11	0.242
160	RC301-43670	SPONGE	1				0.14	0.308
170	RC301-43690	SPONGE	1				0.017	0.0374
180	RC301-43710	SPONGE	1				0.024	0.0528
190	RC301-62510	NOISE ABSORBER	1				0.02	0.044
200	RC301-62520	PLATE PARTITION	1				0.2	0.44
210	RC301-51310	PLATE PARTITION TANK	1				0.03	0.066

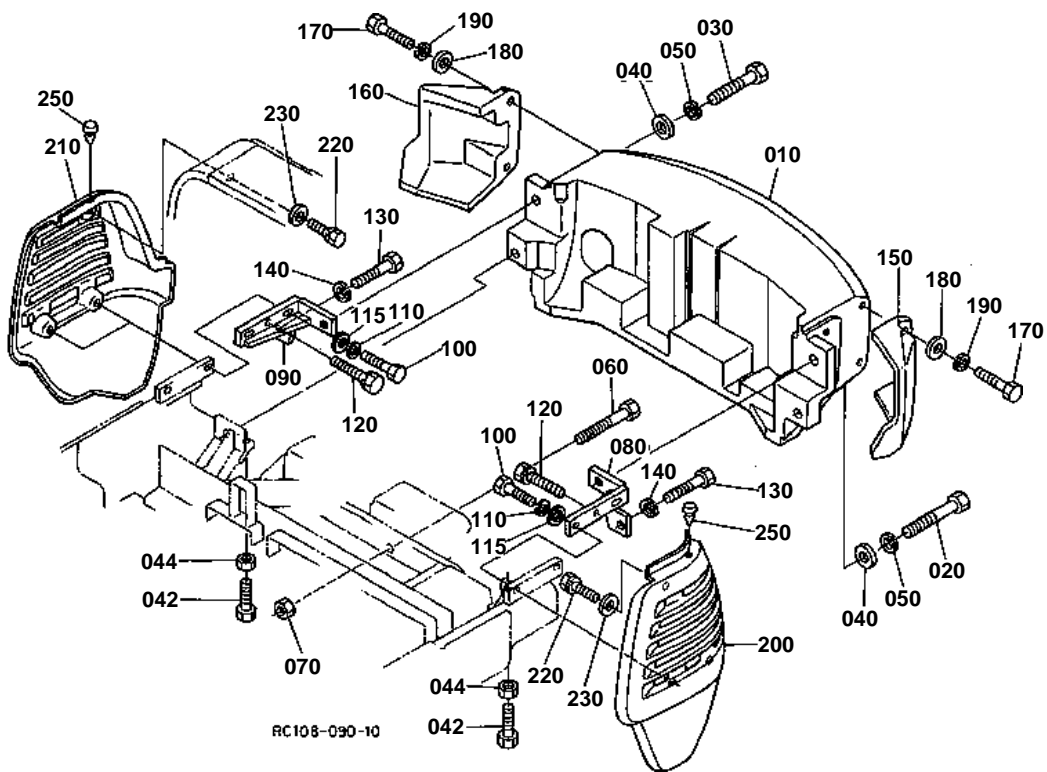


**WEIGHT**

↔ Interchangeable; ≠ not interchangeable; ← new for old; → old for new

REF.No	Part No.	Description	Q'ty	S.No.	I/C	REMARKS	Weight (kgf)	Weight (lb)
010	RC308-48730	PROTECTOR REAR	1				130	286
020	01176-62080	BOLT	2				0.24	0.528
030	68811-48122	WASHER	2				0.071	0.1562
040	04512-60200	WASHER SPRING	2				0.02	0.044
050	01173-61235	BOLT	2				0.04	0.088
060	02172-60120	NUT	2				0.008	0.0176
070	01175-61655	BOLT	1				0.103	0.2266
080	02172-60160	NUT	1				0.019	0.0418
090	RC308-48610	PROTECTOR LH	1				35.8	78.76
100	RC308-48620	PROTECTOR RH	1				35.6	78.32
110	01133-61230	BOLT	2				0.04	0.088
120	01133-61240	BOLT	4				0.05	0.11
130	69110-42120	WASHER	6				0.018	0.0396
140	90545-11340	PLUG	2	>=11940			0.002	0.0044

WEIGHT (TELESCOPIC)

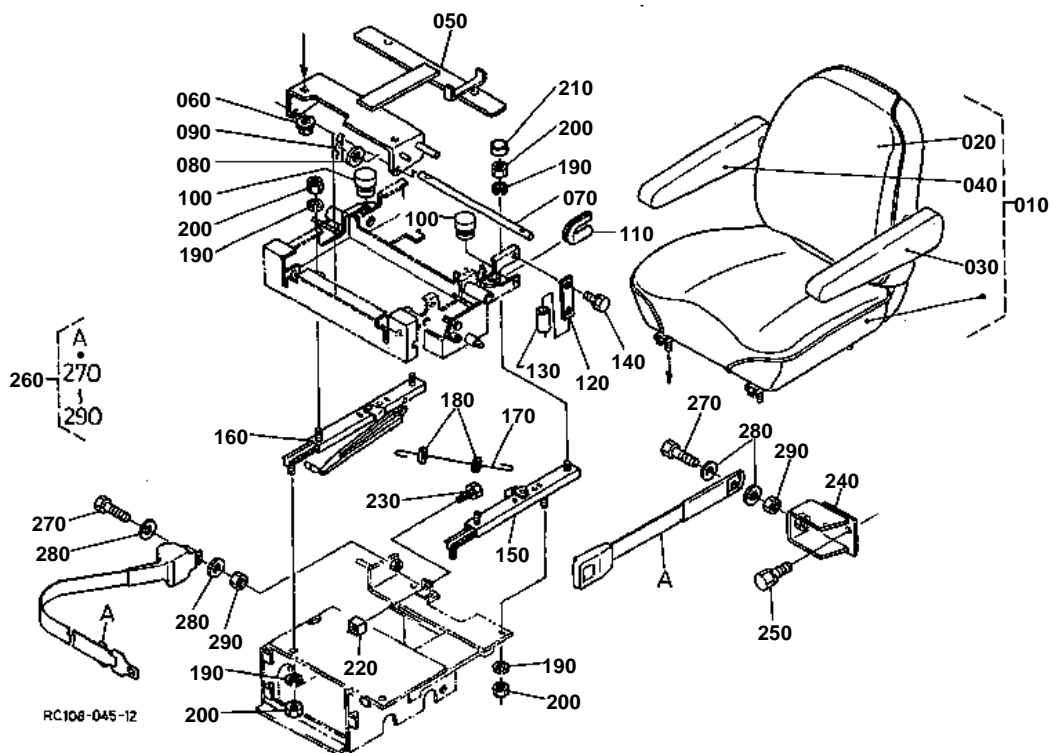


**WEIGHT (TELESCOPIC)**

↔ Interchangeable; ≠ not interchangeable; ← new for old; → old for new

REF.No	Part No.	Description	Q'ty	S.No.	I/C	REMARKS	Weight (kgf)	Weight (lb)
010	RC308-48430	PROTECTOR REAR	1				550	1210
020	01176-62090	BOLT	2				0.25	0.55
030	01176-62070	BOLT	2				0.21	0.462
040	68811-48122	WASHER	4				0.071	0.1562
042	01173-61235	BOLT	2				0.04	0.088
044	02172-60120	NUT	2				0.008	0.0176
050	04512-60200	WASHER SPRING	4				0.02	0.044
060	01175-61655	BOLT	1				0.103	0.2266
070	02172-60160	NUT	1				0.019	0.0418
080	RC408-48450	BRACKET LH	1				3.93	8.646
090	RC408-48460	BRACKET RH	1				3.9	8.58
100	01173-61260	BOLT	4				0.06	0.132
110	04512-60120	WASHER SPRING	4				0.005	0.011
115	04013-60120	WASHER PLAIN	4				0.01	0.022
120	01133-61240	BOLT	2				0.05	0.11
130	01173-61640	BOLT	2				0.085	0.187
140	04512-60160	WASHER SPRING	2				0.01	0.022
150	RC308-48780	PROTECTOR REAR LH	1				17	37.4
160	RC308-48790	PROTECTOR REAR RH	1				17	37.4
170	01173-61655	BOLT	4				0.11	0.242
180	04015-60160	WASHER PLAIN	4				0.058	0.1276
190	04512-60160	WASHER SPRING	4				0.01	0.022
200	RC308-48610	PROTECTOR LH	1				35.8	78.76
210	RC308-48620	PROTECTOR RH	1				35.6	78.32
220	01133-61230	BOLT	2				0.04	0.088
230	69110-42120	WASHER	2				0.018	0.0396
240	99999-99999	BLANK	0				0	0
250	90545-11340	PLUG	2				0.002	0.0044

SEAT

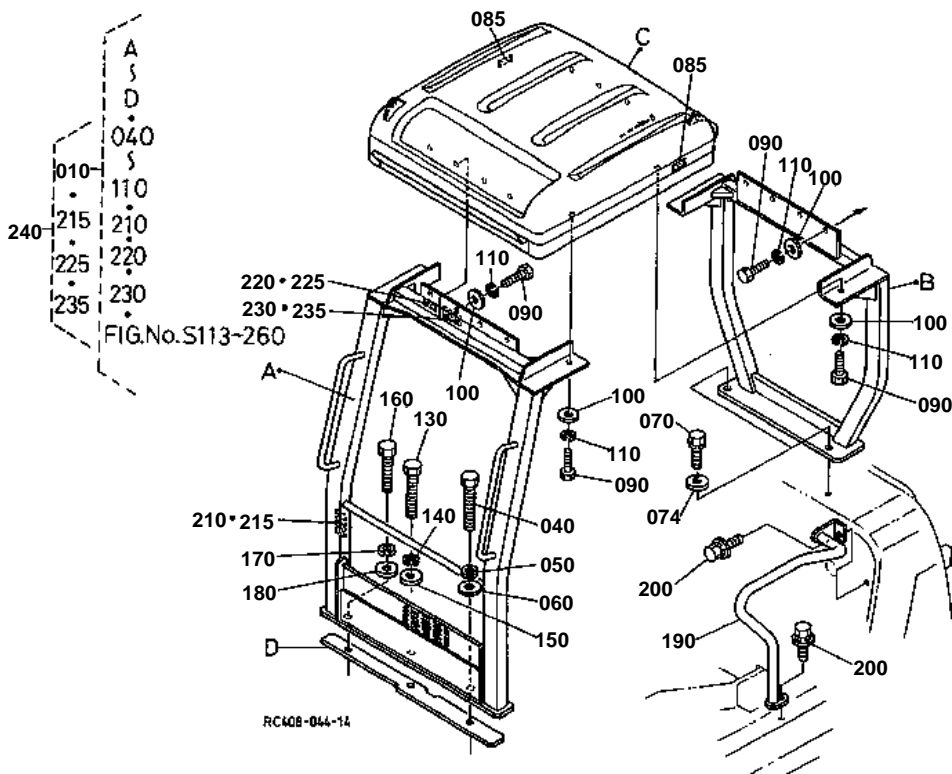


**SEAT**

↔ Interchangeable; ≠ not interchangeable; ← new for old; → old for new

REF.No	Part No.	Description	Q'ty	S.No.	I/C	REMARKS	Weight (kgf)	Weight (lb)
010	RC108-38000	ASSY SEAT	1				12.5	27.5
020	RC108-38030	ASSY BACK	1				1	2.2
030	RC108-38050	ASSY LEST ARM L	1				0.68	1.496
040	RC108-38060	ASSY LEST ARM R	1				0.68	1.496
050	RC108-38090	BRACKET	1				3	6.6
060	02114-60080	NUT	4	<=12152			0.002	0.0044
060	02751-60080	NUT FLANGE	4	>=12153	←		0.006	0.0132
070	RC101-38070	PIN	1				0.18	0.396
080	04011-50100	WASHER PLAIN	2				0.002	0.0044
090	05515-61000	PIN SNAP	2				0.003	0.0066
100	32160-18440	CUSHION	2				0.013	0.0286
110	68493-42750	GROMMET	1				0.001	0.0022
120	RC101-38170	PLATE	1				0.03	0.066
130	68841-51340	TUBE PROTECTOR	1				0.01	0.022
140	01023-60616	BOLT	2				0.005	0.011
150	RC101-38040	RAIL SLIDE LH	1				1	2.2
160	RC101-38050	RAIL SLIDE RH	1				1.3	2.86
170	RC101-38060	WIRE	1				0.004	0.0088
180	04012-50040	WASHER PLAIN	2				0.001	0.0022
190	04512-60120	WASHER SPRING	8				0.005	0.011
200	02114-60120	NUT	8				0.011	0.0242
210	68165-46920	CAP (M 10)	1				0.004	0.0088
220	RC101-38190	BLOCK	1				0.038	0.0836
230	01123-60820	BOLT	1				0.015	0.033
240	RC408-41240	BRACKET SEAT BELT LH	1				1.13	2.486
250	01133-61230	BOLT	2				0.04	0.088
260	RC108-94600	KIT BELT SEAT	1				1.15	2.53
270	01176-61035	BOLT	2				0.024	0.0528
280	04013-60100	WASHER PLAIN	4				0.003	0.0066
290	02118-60100	NUT	2				0.006	0.0132

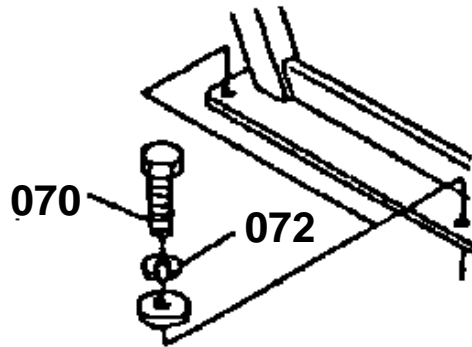
CANOPY



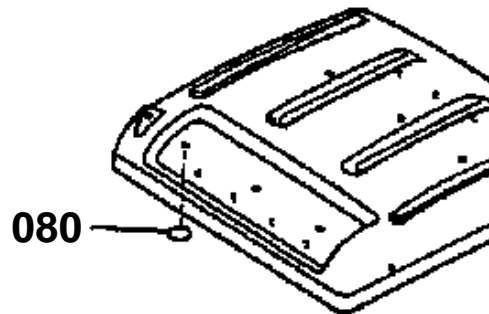


070 01176-61650

072 04512-60160



080 RB108-5785-0



RC408-802-11

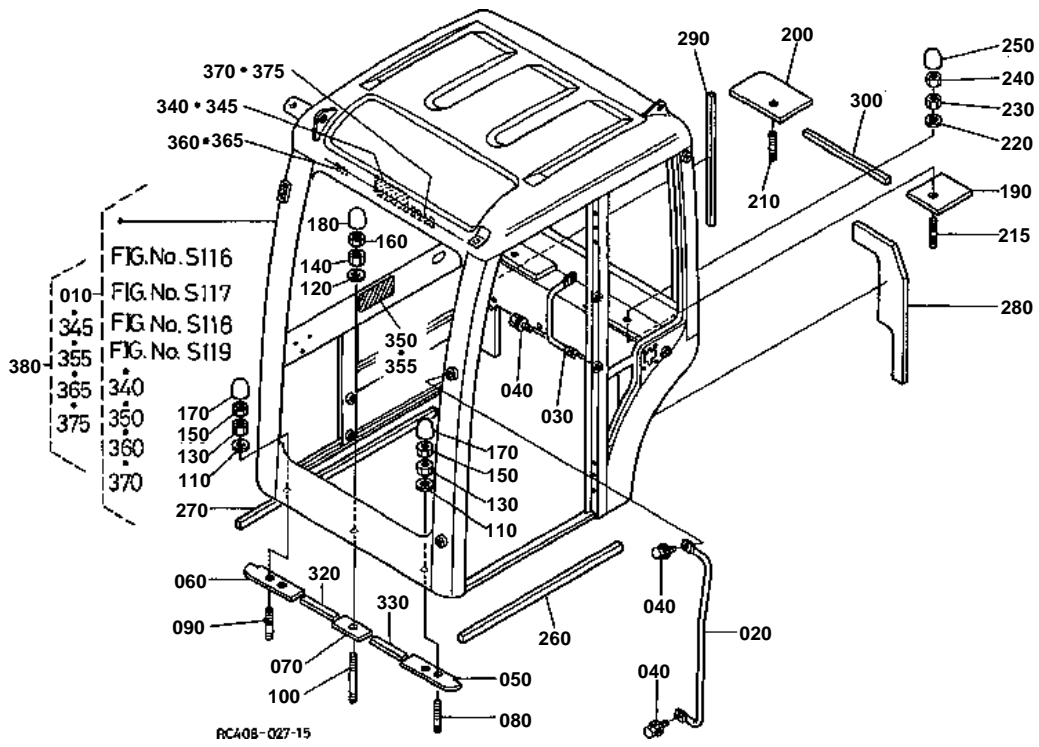


CANOPY

↔ Interchangeable; ≠ not interchangeable; ← new for old; → old for new

REF.No	Part No.	Description	Q'ty	S.No.	I/C	REMARKS	Weight (kgf)	Weight (lb)
010	RC108-91460	KIT CANOPY.ROPS(A)	1	<=12222			0	0
010	RC108-91464	KIT CANOPY.ROPS(A)	1	>=12223	←		234	514.8
020	99999-99999	BLANK	0				0	0
030	99999-99999	BLANK	0				0	0
040	01176-61665	BOLT	1				0.118	0.2596
050	04512-60160	WASHER SPRING	1				0.01	0.022
060	04013-60160	WASHER PLAIN	1				0.01	0.022
070	01176-61650	BOLT	2	<=12422			0.1	0.22
070	01138-61645	BOLT	2	>=12423	←		0.101	0.2222
072	04512-60160	WASHER SPRING	2	<=12422			0.01	0.022
074	04013-60160	WASHER PLAIN	2				0.01	0.022
080	RB108-57850	MARK	6	<=12023			0.001	0.0022
085	RB208-57830	MARK KUBOTA	2	>=11786			0.004	0.0088
090	01176-61235	BOLT	12				0.04	0.088
100	69110-42120	WASHER	12				0.018	0.0396
110	04512-60120	WASHER SPRING	12				0.005	0.011
120	99999-99999	BLANK	0				0	0
130	01176-61665	BOLT	1				0.118	0.2596
140	04512-60160	WASHER SPRING	1				0.01	0.022
150	04013-60160	WASHER PLAIN	1				0.01	0.022
160	01176-61660	BOLT	1				0.11	0.242
170	04512-60160	WASHER SPRING	1				0.01	0.022
180	04013-60160	WASHER PLAIN	1				0.01	0.022
190	RC101-44360	RAIL HAND	1				1.86	4.092
200	01135-61225	BOLT	2				0.043	0.0946
210	68658-57630	LABEL	1			ENGLISH	0.003	0.0066
215	RC108-57840	LABEL	1			FRENCH	0.001	0.0022
220	68198-57770	LABEL	1			ENGLISH	0.002	0.0044
225	R2401-57460	LABEL ROPS	1			FRENCH	0.001	0.0022
230	68328-57890	LABEL	1			ENGLISH	0.003	0.0066
235	RC108-57890	LABEL	1			FRENCH	0.001	0.0022
240	RC108-91760	KIT CANOPY.ROPS(B)	1	<=12222			0	0
240	RC108-91763	KIT CANOPY.ROPS(B)	1	>=12223	←		0	0

# CABIN (BODY)

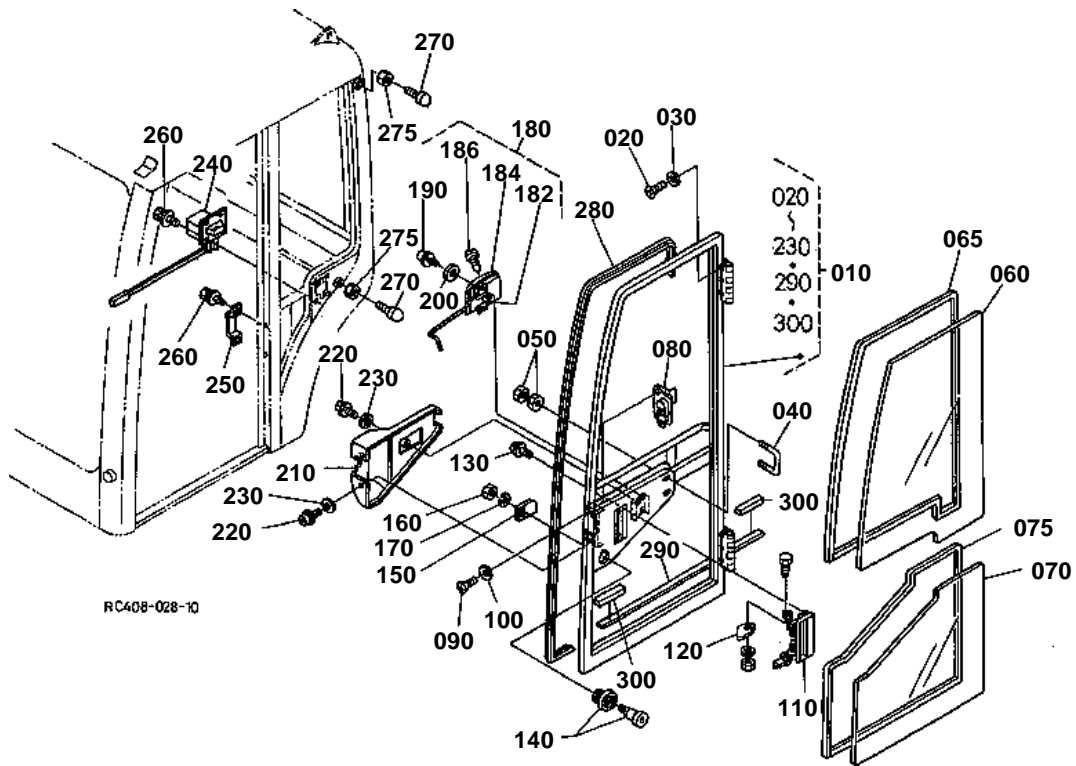


**CABIN (BODY)**

↔ Interchangeable; ≠ not interchangeable; ← new for old; → old for new

REF.No	Part No.	Description	Q'ty	S.No.	I/C	REMARKS	Weight (kgf)	Weight (lb)
010	RC408-91370	KIT CABIN ROPS(A)	1	<=12222			0	0
010	RC408-91375	KIT CABIN ROPS(A)	1	>=12223	←		0	0
020	RC108-46840	HANDRAIL	1				1.34	2.948
030	RC108-46850	HANDRAIL	1				0.33	0.726
040	01135-61020	BOLT	4				0.015	0.033
050	RC101-46860	RUBBER	1				0.335	0.737
060	RC101-46860	RUBBER	1				0.335	0.737
070	RC408-46970	RUBBER	1				0.15	0.33
080	RC108-46810	BOLT STUD	1				0.115	0.253
090	RC308-46820	STUD	1				0.105	0.231
100	RC108-46810	BOLT STUD	1	<=11747			0.115	0.253
100	RC408-46810	BOLT STUD	1	>=11748	←		0.25	0.55
110	04013-60160	WASHER PLAIN	2				0.01	0.022
120	04013-60160	WASHER PLAIN	1				0.01	0.022
130	02174-60160	NUT	2				0.02	0.044
140	02174-60160	NUT	1				0.02	0.044
150	02172-60160	NUT	2				0.019	0.0418
160	02172-60160	NUT	1				0.019	0.0418
170	68271-46910	CAP	2				0.005	0.011
180	68271-46910	CAP	1				0.005	0.011
190	RC101-46880	RUBBER	1				0.54	1.188
200	RC101-46890	RUBBER	1				0.885	1.947
210	RC101-46830	STUD	1				0.132	0.2904
215	RC101-46830	STUD	1				0.132	0.2904
220	04013-60160	WASHER PLAIN	2				0.01	0.022
230	02174-60160	NUT	2				0.02	0.044
240	02172-60160	NUT	2				0.019	0.0418
250	68271-46910	CAP	2				0.005	0.011
260	RC101-46920	SEAL RUBBER LH	1				0.065	0.143
270	RC101-46930	SEAL RUBBER RH	1				0.09	0.198
280	RC101-46943	SEAL RUBBER LH REAR	1				0.21	0.462
290	RC101-46950	SEAL RUBBER RH REAR	1				0.035	0.077
300	RC101-46960	SEAL RUBBER REAR	1				0.02	0.044
310	99999-99999	BLANK	0				0	0
320	RC408-46910	SEAL RUBBER FRONT	1				0.007	0.0154
330	RC408-46920	SEAL RUBBER FRONT	1				0.009	0.0198
340	68198-57790	LABEL CAUTION	1			ENGLISH	0	0
345	RC108-58630	LABEL CAUTION	1			FRENCH	0	0
350	68308-57290	LABEL	1			ENGLISH	0.001	0.0022
355	RC108-58660	LABEL	1			FRENCH	0.001	0.0022
360	68198-57770	LABEL	1			ENGLISH	0.002	0.0044
365	R2401-57460	LABEL ROPS	1			FRENCH	0.001	0.0022
370	68328-57890	LABEL	1			ENGLISH	0.003	0.0066
375	RC108-57890	LABEL	1			FRENCH	0.001	0.0022
380	RC408-91670	KIT CABIN ROPS(B)	1	<=12222			0	0
380	RC408-91673	KIT CABIN ROPS(B)	1	>=12223	←		0	0

CABIN (DOOR)

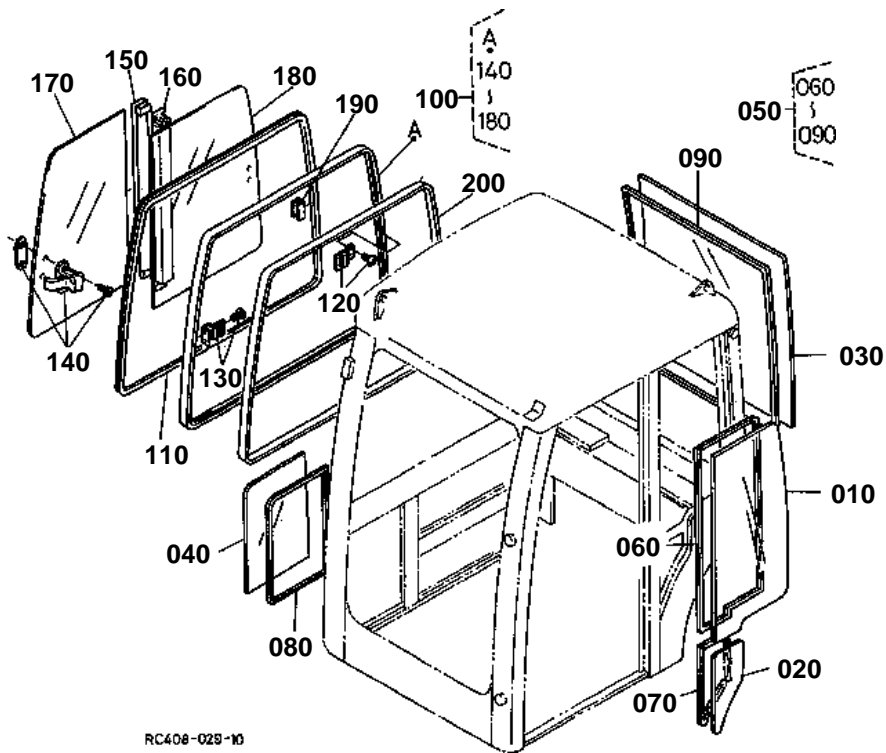


**CABIN (DOOR)**

↔ Interchangeable; ≠ not interchangeable; ← new for old; → old for new

REF.No	Part No.	Description	Q'ty	S.No.	I/C	REMARKS	Weight (kgf)	Weight (lb)
010	RC101-46205	ASSY DOOR	1				20.2	44.44
020	03016-60816	SCREW CSK-HD	6				0.008	0.0176
030	04414-50080	WASHER TOOTHED	6				0.001	0.0022
040	RC101-46260	U-BOLT	1				0.11	0.242
050	02114-60100	NUT	4				0.008	0.0176
060	RC101-46220	GLASS DOOR UPPER	1				4.9	10.78
065	RC101-45660	SEAL RUBBER DOOR	1				0.05	0.11
070	RC101-46230	GLASS DOOR LOWER	1				3.4	7.48
075	RC101-45670	SEAL RUBBER DOOR	1				0.02	0.044
080	RC101-46270	ASSY LOCK DOOR	1				0.385	0.847
090	03016-60616	SCREW CSK-HD	3				0.04	0.088
100	04414-50060	WASHER TOOTHED	3				0.001	0.0022
110	RC101-46280	ASSY HANDLE OUTER	1				0.364	0.8008
120	RC101-46290	PLATE HANDLE	1				0.035	0.077
130	03004-60616	SCREW WITH WASHER	2				0.01	0.022
140	RC101-43540	ASSY LOCK CYLINDER	1				0.12	0.264
150	RC101-46310	LEVER KEY	1				0.026	0.0572
160	02118-60100	NUT	1				0.006	0.0132
170	04512-60100	WASHER SPRING	1				0.002	0.0044
180	RC101-46390	ASSY HANDLE INNER	1				0.09	0.198
182	RC101-45710	HANDLE INNER	1				0.06	0.132
184	RC101-45720	COVER INNER HANDLE	1				0.015	0.033
186	03614-50412	SCREW TAPPING	1				0.002	0.0044
190	03004-60616	SCREW WITH WASHER	2				0.01	0.022
200	04012-50060	WASHER PLAIN	2				0.001	0.0022
210	RC101-46240	COVER DOOR	1				0.18	0.396
220	03004-60616	SCREW WITH WASHER	3				0.01	0.022
230	04012-50060	WASHER PLAIN	3				0.001	0.0022
240	RC101-46190	ASSY LOCK DOOR OPEN	1				1.38	3.036
250	RC101-46180	GUIDE DOOR OPEN	1				0.09	0.198
260	01125-60816	BOLT	6				0.01	0.022
270	RC101-46430	STOPPER	6				0.055	0.121
275	02114-60100	NUT	6				0.008	0.0176
280	RC101-46680	TRIM DOOR	1				0.83	1.826
290	RC101-46690	SEAL DOOR	1				0.015	0.033
300	RC101-46550	SEAL DOOR LOWER	2				0.001	0.0022

CABIN (WINDOW 1)



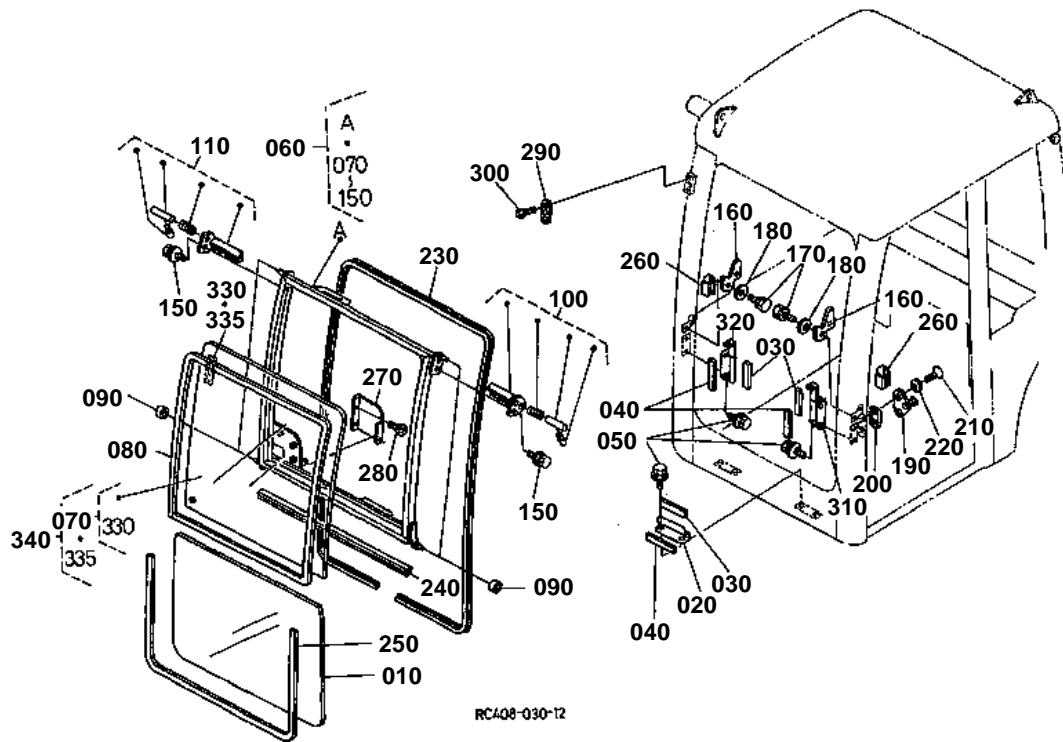
**CABIN (WINDOW 1)**

↔ Interchangeable; ≠ not interchangeable; ← new for old; → old for new

REF.No	Part No.	Description	Q'ty	S.No.	I/C	REMARKS	Weight (kgf)	Weight (lb)
010	RC101-46320	GLASS LH	1				3.9	8.58
020	RC101-46370	GLASS LOWER LH	1				0.4	0.88
030	RC101-46330	WINDOW REAR	1				7.5	16.5
040	RC101-46360	GLASS LOWER RH	1				1.7	3.74
050	RC408-45600	KIT SEAL RUBBER BODY	1				0.25	0.55
060	RC101-45610	SEAL RUBBER LH UPPER	1				0.05	0.11
070	RC101-45620	SEAL RUBBER LH LOWER	1				0.02	0.044
080	RC101-45630	SEAL RUBBER RH LOWER	1				0.025	0.055
090	RC101-45640	SEAL RUBBER REAR	1				0.055	0.121
100	RC101-46500	ASSY WINDOW	1				15	33
110	RC101-45520	SEAL GLASS	1				0.54	1.188
120	RC101-45530	HOOK REAR	1				0.01	0.022
130	RC101-45540	HOOK FRONT	1				0.014	0.0308
140	RC101-45550	LOCK	2				0.03	0.066
150	RC101-45560	FRAME CENTER	1				0.24	0.528
160	RC101-45570	SEAL CENTER	1				0.115	0.253
170	RC101-45580	WINDOW	1				5.2	11.44
180	RC101-45590	GLASS REAR	1				4.7	10.34
190	RC101-46170	SPACER SASH	10				0.003	0.0066
200	RC101-46570	TRIM SASH	1				0.6	1.32



CABIN (WINDOW 2)

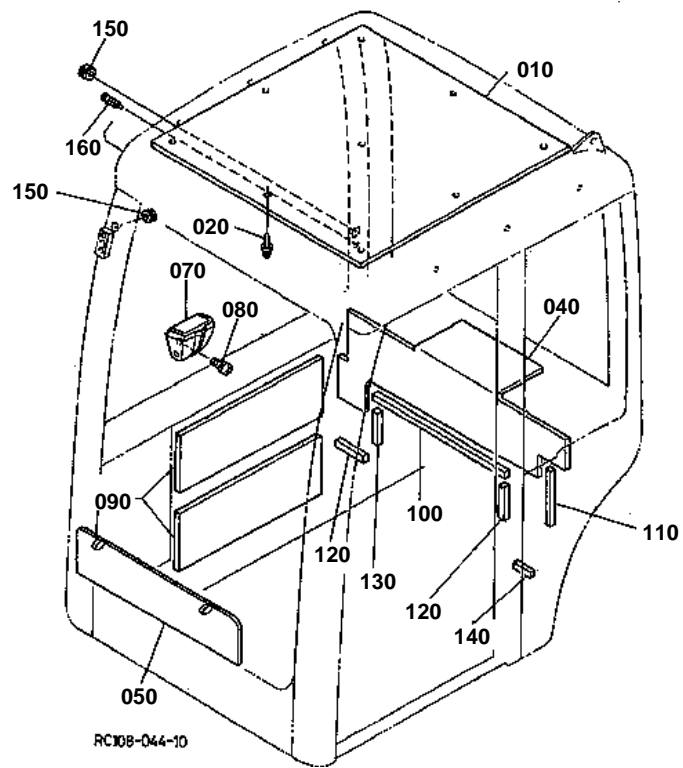


**CABIN (WINDOW 2)**

↔ Interchangeable; ≠ not interchangeable; ← new for old; → old for new

REF.No	Part No.	Description	Q'ty	S.No.	I/C	REMARKS	Weight (kgf)	Weight (lb)
010	RC408-46340	GLASS FRONT LOWER	1				6	13.2
020	RC101-46730	STAY	2				0.15	0.33
030	RC101-46580	GROMMET	4				0.004	0.0088
040	RC101-46750	RUBBER	4				0.01	0.022
050	01125-60816	BOLT	8				0.01	0.022
060	RC101-46405	ASSY WINDOW FRONT	1				14.8	32.56
070	RC108-91450	KIT GLASS FRONT(A)	1				9.5	20.9
080	RC101-45680	SEAL RUBBER FRONT	1				0.05	0.11
090	RC101-46460	ROLLER	4				0.042	0.0924
100	RC101-46710	LOCK LH	1				0.28	0.616
110	RC101-46720	LOCK RH	1				0.28	0.616
120	99999-99999	BLANK	0				0	0
130	99999-99999	BLANK	0				0	0
140	99999-99999	BLANK	0				0	0
150	01125-60816	BOLT	4				0.01	0.022
160	RC101-46450	STOPPER	2				0.15	0.33
170	01123-60820	BOLT	4				0.015	0.033
180	04013-60080	WASHER PLAIN	4				0.002	0.0044
190	RC101-46250	STRIKER DOOR LOCK	1				0.06	0.132
200	RC101-46160	NUT STRIKER	1				0.08	0.176
210	03016-60816	SCREW CSK-HD	2				0.008	0.0176
220	04414-50080	WASHER TOOTHED	2				0.001	0.0022
230	RC101-46640	TRIM FRONT	1				0.89	1.958
240	RC101-46650	SEAL FRONT WINDOW	1				0.17	0.374
250	RC408-46660	SEAL FRONT GLASS	1				0.05	0.11
260	RC101-46590	SEAL FRONT SIDE	2				0.005	0.011
270	RC101-46380	COVER WIPER	1				0.31	0.682
280	03004-60616	SCREW WITH WASHER	2				0.01	0.022
290	RC101-46440	PLATE NOZZLE	1				0.012	0.0264
300	03004-60612	SCREW WITH WASHER	2				0.005	0.011
310	RC408-46980	STAY LH	1	>=11748			0.18	0.396
320	RC408-46990	STAY RH	1	>=11748			0.18	0.396
330	68658-57630	LABEL	1			ENGLISH	0.003	0.0066
335	RC108-57840	LABEL	1			FRENCH	0.001	0.0022
340	RC108-91750	KIT GLASS FRONT(B)	1				9	19.8

# CABIN (SPONGE)



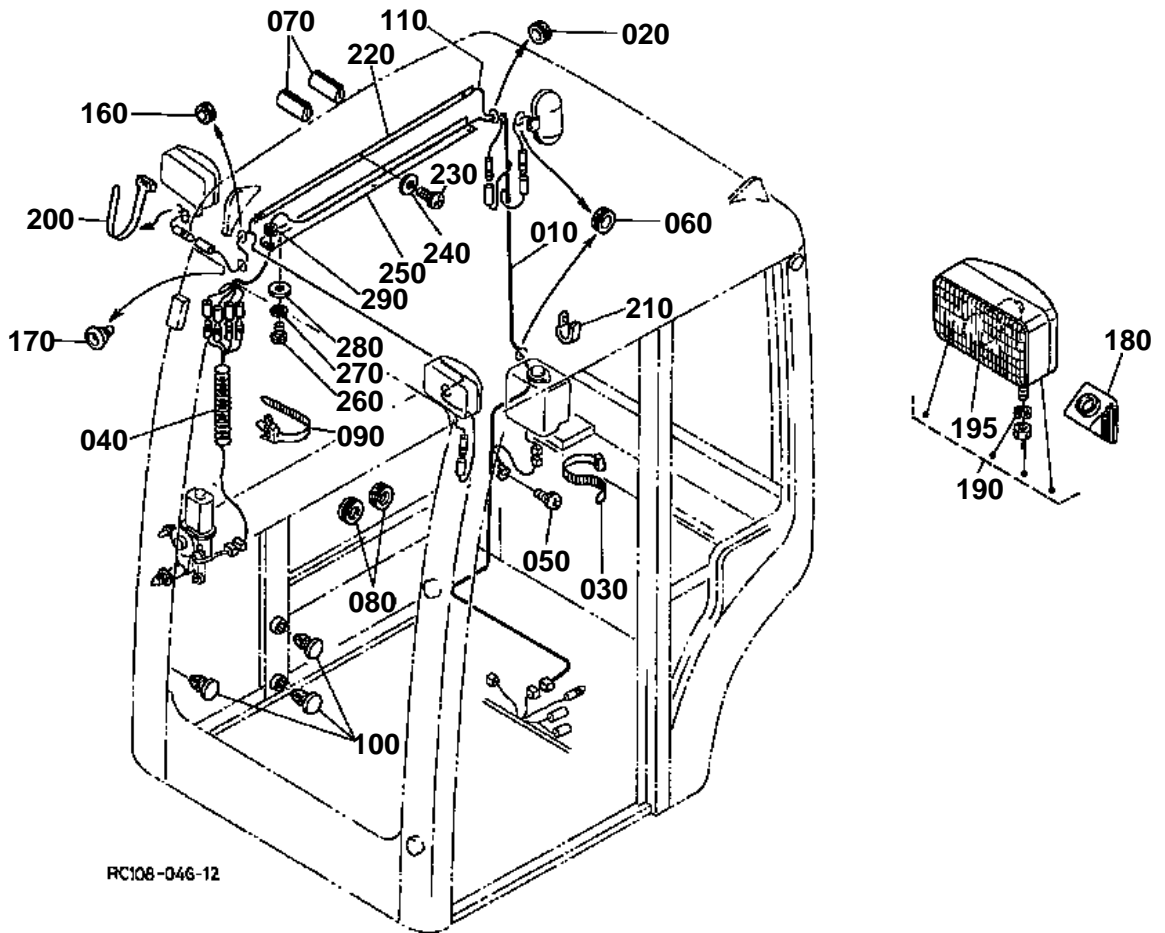


## CABIN (SPONGE)

↔ Interchangeable; ≠ not interchangeable; ← new for old; → old for new

REF.No	Part No.	Description	Q'ty	S.No.	I/C	REMARKS	Weight (kgf)	Weight (lb)
010	RC408-46610	TRIM ROOF	1				1.5	3.3
020	RC408-46540	RIVET	9				0.001	0.0022
030	99999-99999	BLANK	0				0	0
040	RC408-46620	TRIM REAR	1				3.6	7.92
050	RC408-46630	TRIM REAR COVER	1				0.39	0.858
060	99999-99999	BLANK	0				0	0
070	RC101-46490	ASH-TRAY	1				0.17	0.374
080	03024-60410	SCREW WITH WASHER	3				0.002	0.0044
090	RC101-46013	TRIM LOWER RH	2				0.2	0.44
100	RC101-46020	SEAL RUBBER	1				0.055	0.121
110	RC408-46030	SEAL RUBBER	1				0.02	0.044
120	RC408-46040	SEAL RUBBER	2				0.02	0.044
130	RC408-46050	SEAL RUBBER	1				0.008	0.0176
140	RC408-46060	SEAL RUBBER	1				0.003	0.0066
150	RC101-46560	GROMMET	2				0.003	0.0066
160	03714-50414	SCREW TAPPING	8				0.002	0.0044

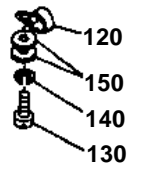
CABIN (ELECTRICAL WIRING)



CABIN (ELECTRICAL WIRING)

---

- 120 68111-5352-0
- 130 03014-50608
- 140 04512-60060
- 150 04013-60060



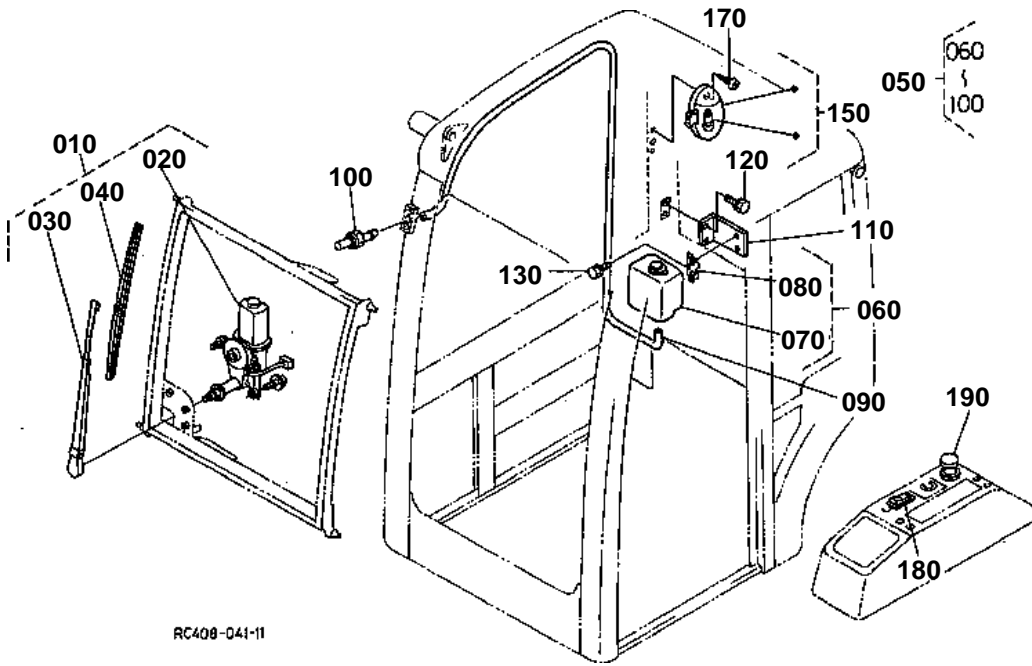
RC408-801-10

**CABIN (ELECTRICAL WIRING)**

↔ Interchangeable; ≠ not interchangeable; ← new for old; → old for new

REF.No	Part No.	Description	Q'ty	S.No.	I/C	REMARKS	Weight (kgf)	Weight (lb)
010	RC108-53450	WIRE HARNESS	1				0.27	0.594
020	68551-51250	CUSHION	1				0.001	0.0022
030	55311-41260	BAND CORD	1				0.007	0.0154
040	68311-53720	WIRE HARNESS WIPER	1				0.2	0.44
050	03024-60510	SCREW WITH WASHER	1				0.01	0.022
060	68551-51250	CUSHION	2				0.001	0.0022
070	68748-42520	GROMMET	2				0.003	0.0066
080	68311-53180	GROMMET	2				0.02	0.044
090	RC101-53490	CLAMP CORD	2				0.001	0.0022
100	90545-11340	PLUG	3				0.002	0.0044
110	RC108-53460	WIRE HARNESS LIGHT	1				0.048	0.1056
120	68111-53520	CLAMP CORD	8	≤11894			0.01	0.022
130	03014-50608	SCREW PAN-HEAD	8	≤11894			0.002	0.0044
140	04512-60060	WASHER SPRING	8	≤11894			0.001	0.0022
150	04013-60060	WASHER PLAIN	16	≤11894			0.001	0.0022
160	68551-51250	CUSHION	2	≤11747			0.001	0.0022
160	68551-51250	CUSHION	1	≥11748			0.001	0.0022
170	69301-43180	RING RUBBER	2	≤11747			0.004	0.0088
170	RC408-46870	GROMMET	2	≥11748	≠		0.001	0.0022
180	68311-46980	BOOT LAMP	1				0.04	0.088
190	36919-75850	ASSY LIGHT WORKING	2				0.52	1.144
195	R1401-53360	BULB	2				0.018	0.0396
200	55311-41260	BAND CORD	1				0.007	0.0154
210	34150-29390	CLAMP CORD	1				0.004	0.0088
220	RC408-47850	COVER	1	≥11895			0	0
220	RC408-47852	COVER	1	≥12302	←		0.5	1.1
230	03004-50620	SCREW WITH WASHER	3	≥11895			0.005	0.011
240	04013-60060	WASHER PLAIN	3	≥11895			0.001	0.0022
250	RC408-47860	COVER	1	≥11895			0.42	0.924
260	03014-50608	SCREW PAN-HEAD	3	≥11895			0.002	0.0044
270	04512-60060	WASHER SPRING	3	≥11895			0.001	0.0022
280	04013-60060	WASHER PLAIN	3	≥11895			0.001	0.0022
290	RC601-46770	GROMMET	1	≥11895			0.002	0.0044

CABIN (WIPER MOTOR)



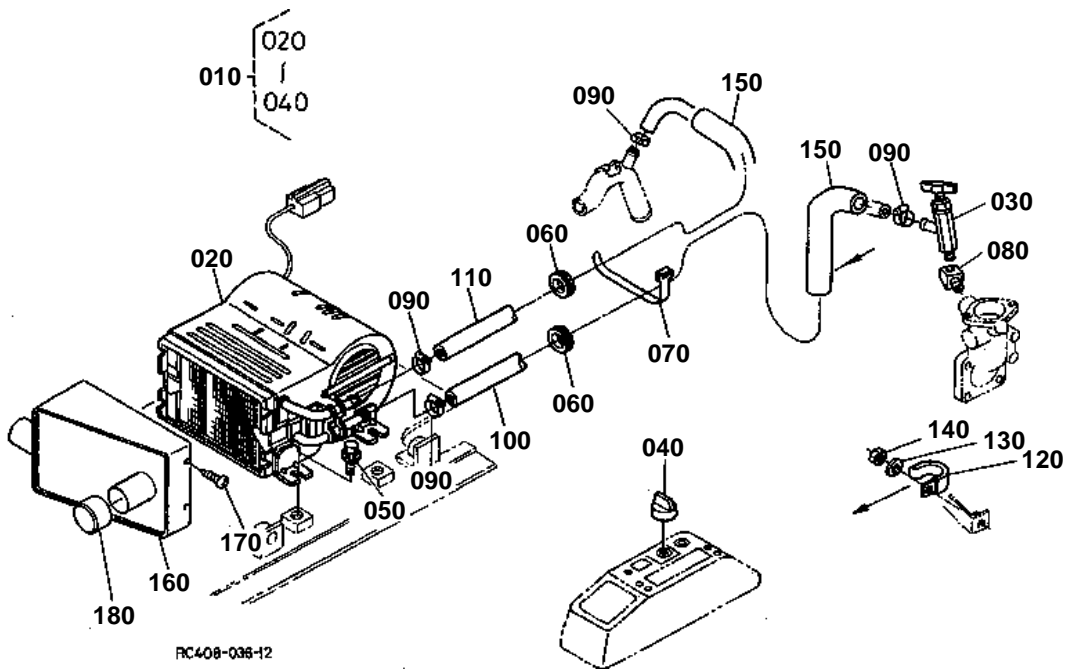


**CABIN (WIPER MOTOR)**

↔ Interchangeable; ≠ not interchangeable; ← new for old; → old for new

REF.No	Part No.	Description	Q'ty	S.No.	I/C	REMARKS	Weight (kgf)	Weight (lb)
010	RC101-53400	ASSY MOTOR	1				1.4	3.08
020	34673-86400	ASSY MOTOR	1				1.035	2.277
030	RC101-53420	ASSY ARM WIPER	1				0.25	0.55
040	33649-54010	BLADE WIPER	1				0.116	0.2552
050	68743-46900	ASSY WASHER WINDOW	1				0.44	0.968
060	68743-46910	TANK ASSY	1				0.3	0.66
070	68743-46740	TANK WASHER	1				0.23	0.506
080	68743-46750	BRACKET TANK	1				0.093	0.2046
090	68743-46920	TUBE VINYL	1				0.05	0.11
100	3F760-54180	NOZZLE WASHER	1				0.004	0.0088
110	68301-96920	BRACKET TANK	1				0.31	0.682
120	01123-60820	BOLT	2				0.015	0.033
130	01202-60616	BOLT	2				0.005	0.011
140	99999-99999	BLANK	0				0	0
150	68353-46400	ASSY LIGHT ROOM	1				0.04	0.088
160	99999-99999	BLANK	0				0	0
170	03614-50412	SCREW TAPPING	2				0.002	0.0044
180	36919-75340	SWITCH REAR WIPER	1				0.03	0.066
190	68331-53170	LIGHTER CIGARETTE	1				0.08	0.176

CABIN (HEATER)



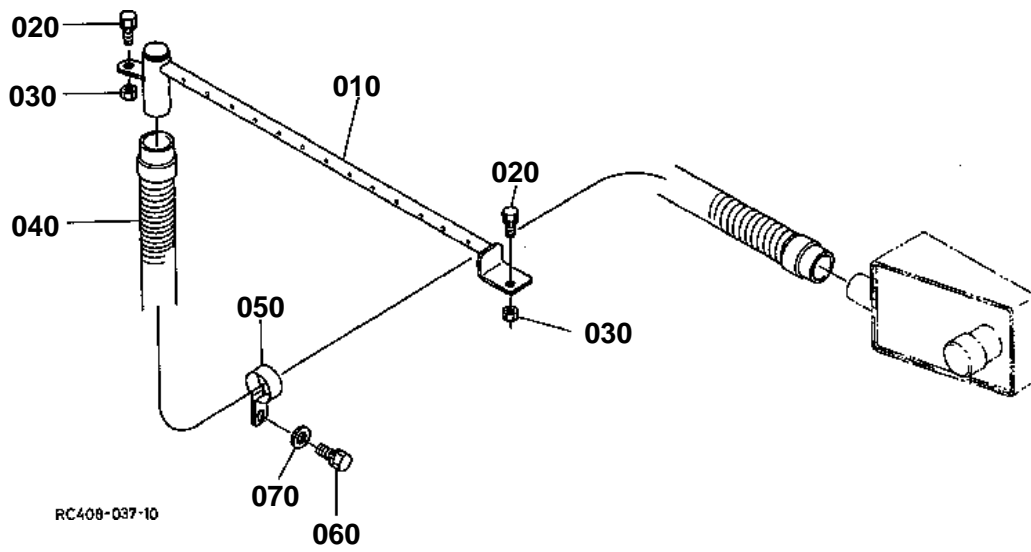


## CABIN (HEATER)

↔ Interchangeable; ≠ not interchangeable; ← new for old; → old for new

REF.No	Part No.	Description	Q'ty	S.No.	I/C	REMARKS	Weight (kgf)	Weight (lb)
010	RC101-53500	ASSY HEATER	1				4	8.8
020	68311-53510	HEATER	1				3.9	8.58
030	90038-11120	VALVE	1				0.2	0.44
040	68311-53540	ASSY SWITCH HEATER	1				0.1	0.22
050	01135-61020	BOLT	4				0.015	0.033
060	90407-11210	GROMMET	2				0.006	0.0132
070	55311-41260	BAND CORD	7				0.007	0.0154
080	68164-46620	ADAPTER	1				0.249	0.5478
090	68311-72810	CLAMP HOSE	4				0.02	0.044
100	RC301-53520	HOSE	1				0.32	0.704
110	RC301-53530	HOSE	1				0.4	0.88
120	68111-53520	CLAMP CORD	1				0.01	0.022
130	04013-60060	WASHER PLAIN	1				0.001	0.0022
140	02014-60060	NUT	1				0.002	0.0044
150	RC101-53540	TUBE	2				0.05	0.11
160	RC108-46980	COVER HEATER	1				1.25	2.75
170	03614-50410	SCREW TAPPING	4				0.002	0.0044
180	15000-36550	CAP	1				0.045	0.099

CABIN (DEFROSTER)

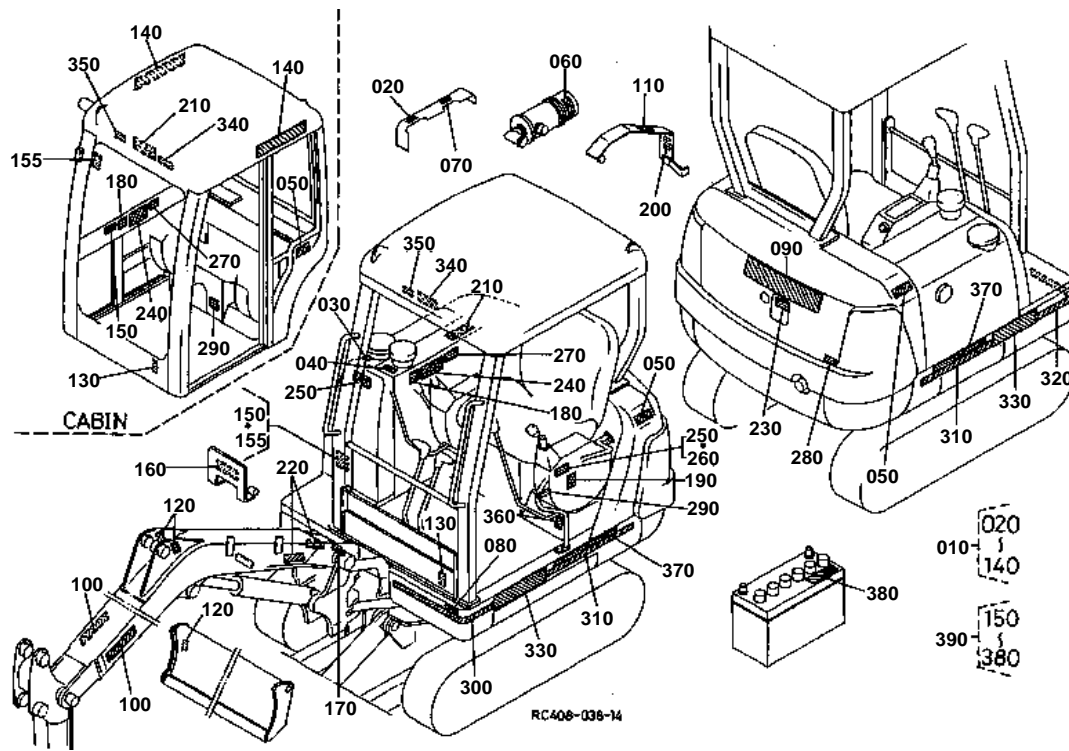


**CABIN (DEFROSTER)**

↔ Interchangeable; ≠ not interchangeable; ← new for old; → old for new

REF.No	Part No.	Description	Q'ty	S.No.	I/C	REMARKS	Weight (kgf)	Weight (lb)
010	RC408-46830	PIPE DEFFROSTAR	1				0.94	2.068
020	01123-60814	BOLT	2				0.01	0.022
030	02114-60080	NUT	2				0.002	0.0044
040	RC408-46840	HOSE DEFFROSTAR	1				0.295	0.649
050	RC408-46860	CLAMP	1				0.05	0.11
060	01123-61025	BOLT	1				0.025	0.055
070	04013-60100	WASHER PLAIN	1				0.003	0.0066

LABEL



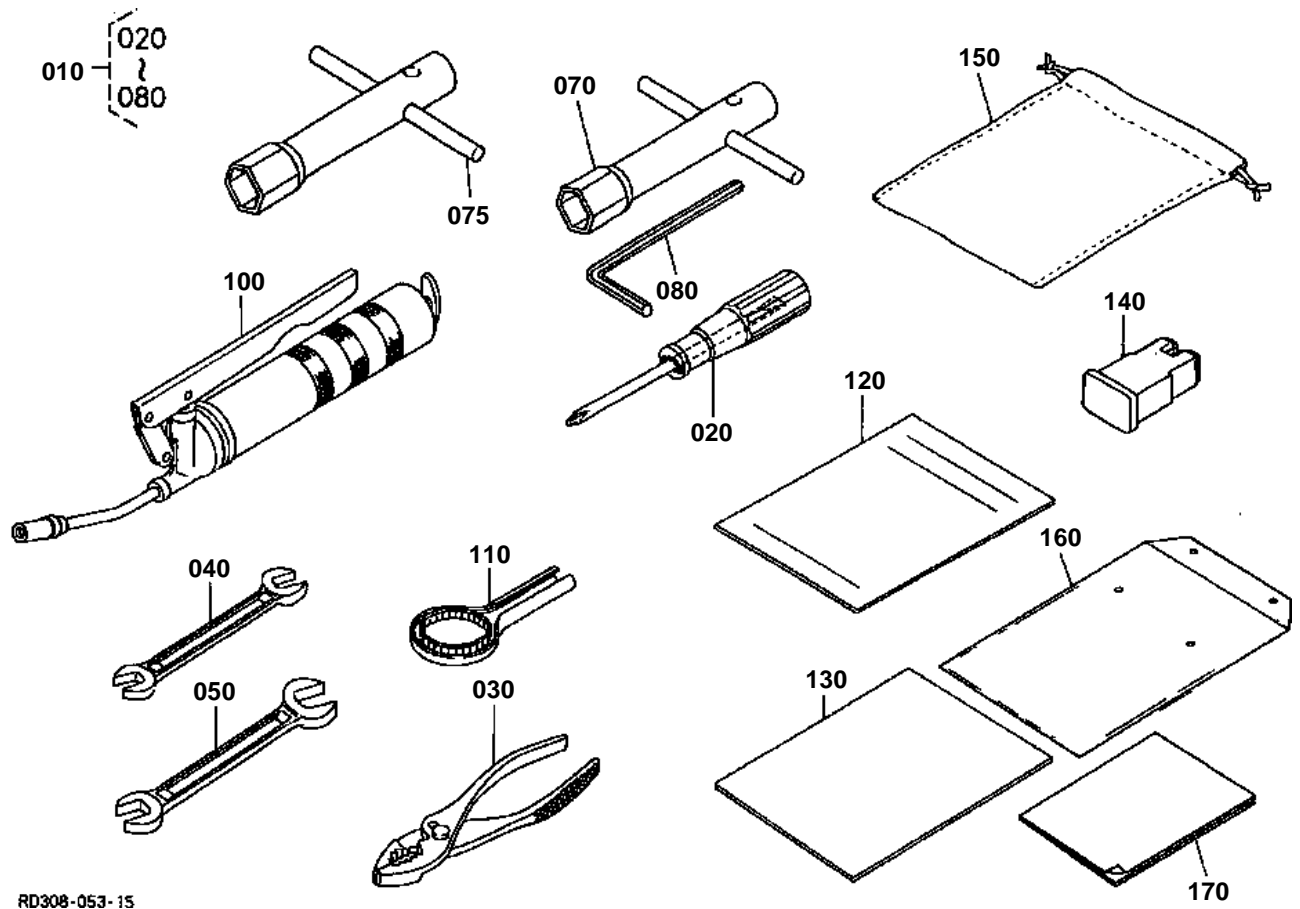


**LABEL**

↔ Interchangeable; ≠ not interchangeable; ← new for old; → old for new

REF.No	Part No.	Description	Q'ty	S.No.	I/C	REMARKS	Weight (kgf)	Weight (lb)
010	RC108-58200	KIT LABEL	1				0.1	0.22
020	RC101-57430	LABEL	1				0.001	0.0022
030	RC108-57470	LABEL	1				0.001	0.0022
040	R2401-57360	LABEL FUEL	1				0.001	0.0022
050	RC108-57270	LABEL	2				0.003	0.0066
060	TA040-49580	LABEL MUFFLER	1				0.001	0.0022
070	RC101-57610	LABEL ACCEL.	1				0.001	0.0022
080	68709-57250	MARK KUBOTA	1				0.005	0.011
090	RC108-57290	MARK KUBOTA	1				0.02	0.044
100	RC108-57280	MARK KUBOTA	2				0.046	0.1012
110	TA040-49570	LABEL FAN WARNING	1				0.002	0.0044
120	RC108-57960	LABEL	3				0.001	0.0022
130	RC108-57680	LABEL	1				0.001	0.0022
140	68328-57270	MARK KUBOTA	2			CABIN	0.02	0.044
150	68328-57410	LABEL	1			KTA	0.003	0.0066
155	68658-57630	LABEL	1			KTC KCL	0.003	0.0066
160	RC108-57570	LABEL SWING SP	1				0.005	0.011
170	RC108-57450	LABEL	1				0.001	0.0022
180	68548-57422	LABEL	1				0.002	0.0044
190	RC108-57530	LABEL LEVER LOCK	1				0.003	0.0066
200	RC108-57540	LABEL	1				0.001	0.0022
210	68198-57790	LABEL CAUTION	1				0	0
220	68328-57350	LABEL WARNING	2				0.003	0.0066
230	RC108-57140	LABEL	1				0.002	0.0044
240	68308-57290	LABEL	1				0.001	0.0022
250	RC108-57630	LABEL	2			CANOPY	0.004	0.0088
260	RC108-57650	LABEL	1	<=11785		CABIN	0	0
260	RC108-57652	LABEL	1	>=11786	←	CABIN	0.002	0.0044
270	RC108-57432	LABEL	1				0.05	0.11
280	RC108-57180	LABEL	1				0.003	0.0066
290	RC108-57810	LABEL FUSE E	1				0.002	0.0044
300	RC408-57130	MARK FRAME	1				0.007	0.0154
310	RC408-57150	MARK FRAME	2				0.007	0.0154
320	RC408-57160	MARK FRAME	1				0.004	0.0088
330	RC408-57170	MARK	2				0.002	0.0044
340	68328-57890	LABEL	1				0.003	0.0066
350	68198-57770	LABEL	1				0.002	0.0044
360	RD108-57820	LABEL	1			KTC KCL	0.002	0.0044
370	68658-57650	LABEL CAUTION	2			KTC KCL	0.005	0.011
380	6C040-55590	LABEL BATTERY	1	>=12177			0.001	0.0022
390	RC408-58302	KIT LABEL	1			KTA	0.18	0.396
390	RC408-58400	KIT LABEL	1			KTC KCL	0.022	0.0484

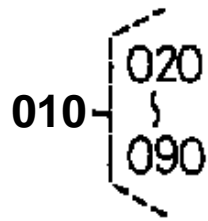
ACCESSORIES



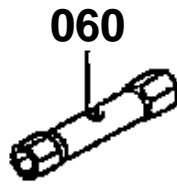
RD308-053-15



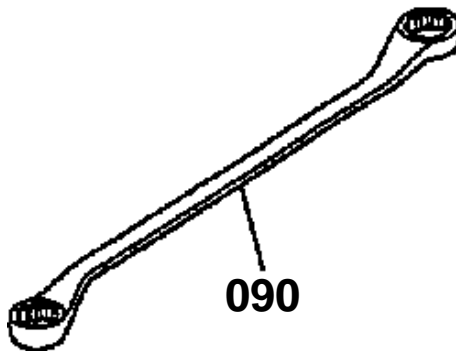
010 RP301-8110-0



060 07013-01012



090 07018-81922



RC108-803-10

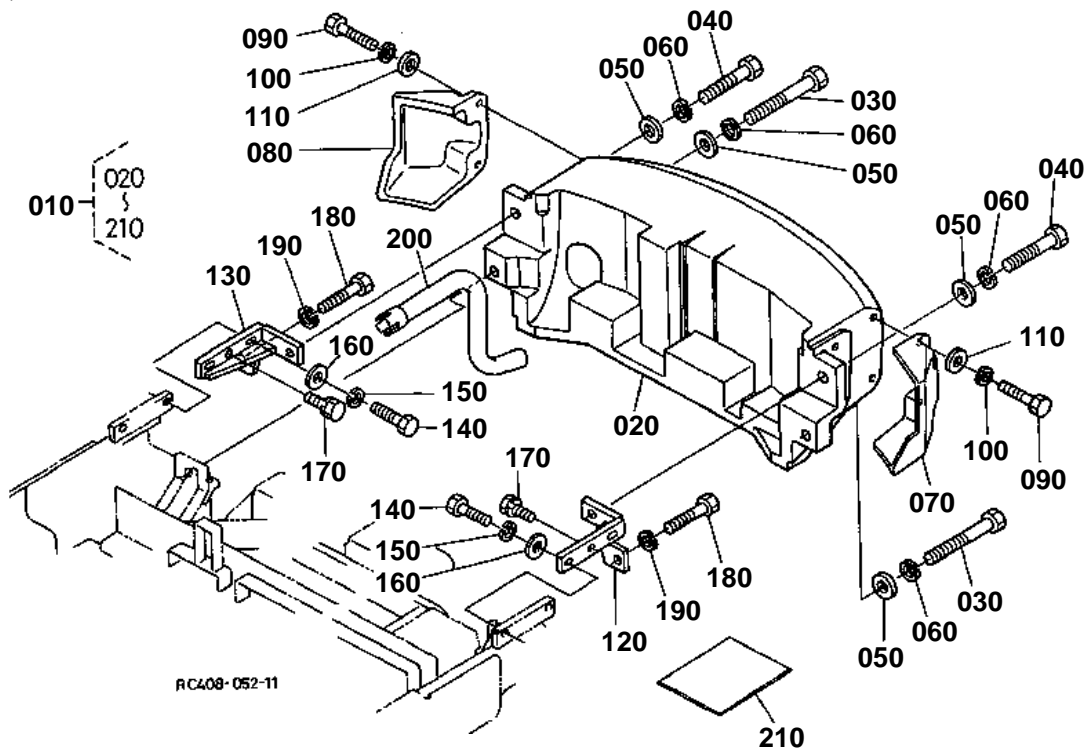


ACCESSORIES

↔ Interchangeable; ≠ not interchangeable; ← new for old; → old for new

REF.No	Part No.	Description	Q'ty	S.No.	I/C	REMARKS	Weight (kgf)	Weight (lb)
010	68311-81105	KIT TOOLS	1	≤11785			1.04	2.288
010	RP301-81100	KIT TOOLS	1	≥11786	←		1.65	3.63
010	RD401-81100	KIT TOOLS	1	≥12140	≠		1.65	3.63
020	32360-19300	SCREW DRIVER	1				0.07	0.154
030	07211-10150	PLIERS	1				0.16	0.352
040	07012-11012	SPANNER	1				0.041	0.0902
050	07012-11417	SPANNER	1				0.084	0.1848
060	07013-01012	WRENCH(SOCKET)	1	≤12139			0.144	0.3168
070	07013-00022	WRENCH SOCKET	1				0.225	0.495
075	07013-00029	WRENCH SOCKET	1	≥11786			0.61	1.342
080	07014-00008	SPANNER	1				0.052	0.1144
090	07018-81922	SPANNER RING	1	≤12139			0.312	0.6864
100	68061-81110	SQUEEZER GREASE	1	≤12422			1.75	3.85
100	RB208-81110	SQUEEZER GREASE	1	≥12423	↔		1.3	2.86
110	15241-86612	WRENCH FILTER	1				0.115	0.253
120	RC408-81240	MANUAL INSTRUCTION	1	≤12152			0	0
120	RC408-81243	MANUAL INSTRUCTION	1	≥12153	←		0	0
120	RC108-81270	MANUAL INSTRUCTION	1			TELESCOPIC	0.05	0.11
130	RC408-81290	LIST PARTS	1	≤12222			0	0
130	RC408-81294	LIST PARTS	1	≥12223	←		0	0
130	RC408-81295	LIST PARTS	1	≥12376	←		0	0
130	RC408-81297	LIST PARTS	1	≥12500	←		0.04	0.088
130	RC408-81297	LIST PARTS	1	≥12699	←		0.04	0.088
140	35080-34530	FUSE	1				0.015	0.033
150	68311-81130	BAG TOOLS	1				0.03	0.066
160	R2401-81310	BAG INSTRUCTION MAN.	1				0.11	0.242
170	1G511-89810	STATEMENT WARRANTY	1				0.01	0.022

WEIGHT KIT [OPTION]

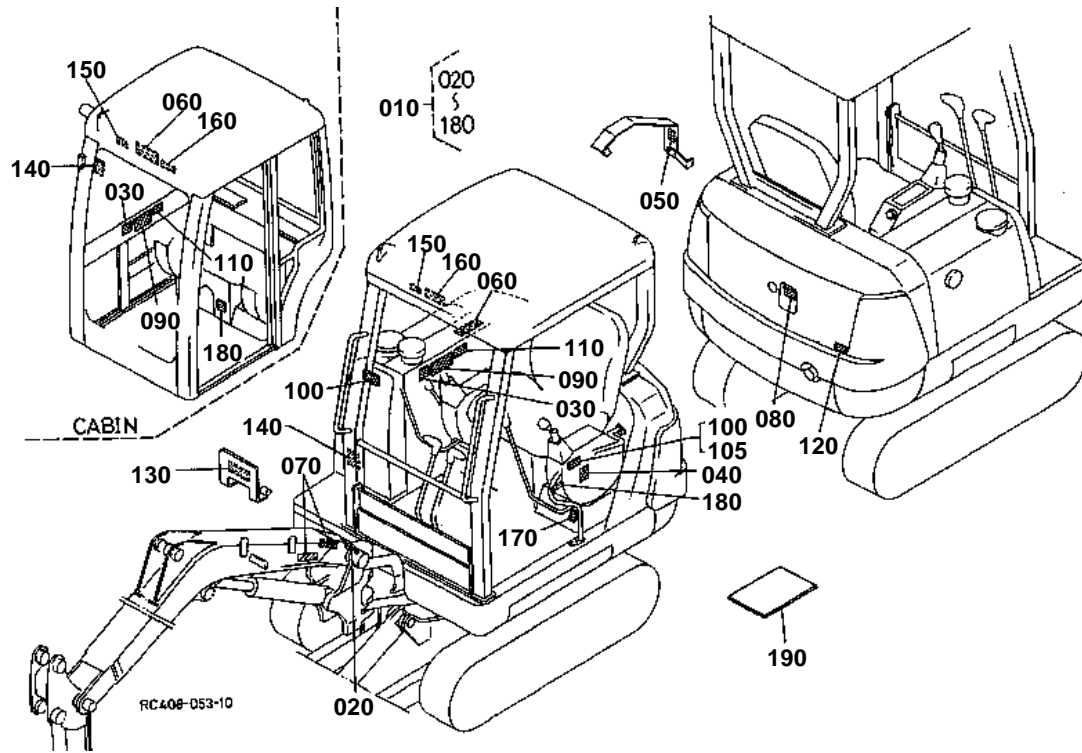


**WEIGHT KIT [OPTION]**

↔ Interchangeable; ≠ not interchangeable; ← new for old; → old for new

REF.No	Part No.	Description	Q'ty	S.No.	I/C	REMARKS	Weight (kgf)	Weight (lb)
010	RC408-90100	KIT WEIGHT	1	<=12132			0	0
010	RC408-90102	KIT WEIGHT	1	>=12133	←		630	1386
020	RC308-48430	PROTECTOR REAR	1				550	1210
030	01176-62090	BOLT	2				0.25	0.55
040	01176-62070	BOLT	2				0.21	0.462
050	68811-48122	WASHER	4				0.071	0.1562
060	04512-60200	WASHER SPRING	4				0.02	0.044
070	RC308-48780	PROTECTOR REAR LH	1				17	37.4
080	RC308-48790	PROTECTOR REAR RH	1				17	37.4
090	01173-61655	BOLT	4				0.11	0.242
100	04512-60160	WASHER SPRING	4				0.01	0.022
110	04015-60160	WASHER PLAIN	4				0.058	0.1276
120	RC408-48450	BRACKET LH	1				3.93	8.646
130	RC408-48460	BRACKET RH	1				3.9	8.58
140	01173-61260	BOLT	4				0.06	0.132
150	04512-60120	WASHER SPRING	4				0.005	0.011
160	04013-60120	WASHER PLAIN	4				0.01	0.022
170	01133-61240	BOLT	2				0.05	0.11
180	01173-61640	BOLT	2				0.085	0.187
190	04512-60160	WASHER SPRING	2				0.01	0.022
200	RC301-42490	PIPE MUFFLER	1				0.66	1.452
210	RC408-90110	MANUAL INSTRUCTION	1	>=12133			0.001	0.0022

LABEL KIT [OPTION]



**LABEL KIT [OPTION]**

↔ Interchangeable; ≠ not interchangeable; ← new for old; → old for new

REF.No	Part No.	Description	Q'ty	S.No.	I/C	REMARKS	Weight (kgf)	Weight (lb)
010	RC108-58600	KIT LABEL(KCL)	1				0	0
020	RC308-57450	LABEL	1				0.001	0.0022
030	RC308-57420	LABEL	1				0.001	0.0022
040	RC108-58610	LABEL LEVER LOCK	1				0.001	0.0022
050	RC108-58620	LABEL	1				0.001	0.0022
060	RC108-58630	LABEL CAUTION	1				0	0
070	RC108-58640	LABEL WARNING	2				0.001	0.0022
080	RC108-58650	LABEL	1				0.001	0.0022
090	RC108-58660	LABEL	1				0.001	0.0022
100	RC108-57750	LABEL	2			CANOPY	0.001	0.0022
105	RC108-58680	LABEL	1			CABIN	0.001	0.0022
110	RC308-57430	LABEL	1				0.001	0.0022
120	RC108-58670	LABEL	1				0.001	0.0022
130	RC108-57590	LABEL SWING SP	1				0.001	0.0022
140	RC108-57840	LABEL	1				0.001	0.0022
150	R2401-57460	LABEL ROPS	1				0.001	0.0022
160	RC108-57890	LABEL	1				0.001	0.0022
170	RC108-58690	LABEL	1				0.001	0.0022
180	RC308-57810	LABEL FUSE	1				0.004	0.0088
190	RC408-81250	MANUAL INSTRUCTION	1	<=12250			0	0
190	RC408-81252	MANUAL INSTRUCTION	1	>=12251	←		0.24	0.528