

Instructions for Parts Books

The heading at the top of the page will be the same for the picture of the parts as it is for the page with the part numbers.

Definition of column headings on part number pages:

REF.No → The number referring to the part on the picture page of the parts book.

Part No. → The number assigned to this part at the time of printing the parts book.

Description → Description of part.

Q'ty → Quantity of part used on that page.

S.No. → Serial number range of the equipment that this part will fit.

>= Your serial number should be greater than or equal to the number shown.

<= Your serial number should be lesser than or equal to the serial number shown.

I/C → Interchangeability of part shown.

↔ The part shown will work for the older and later serial number.

The part shown is not interchangeable with the other serial number.

← new for old

→ old for new

Remarks → Notes about this particular part. Sometimes this may say except [FR] or [CA]

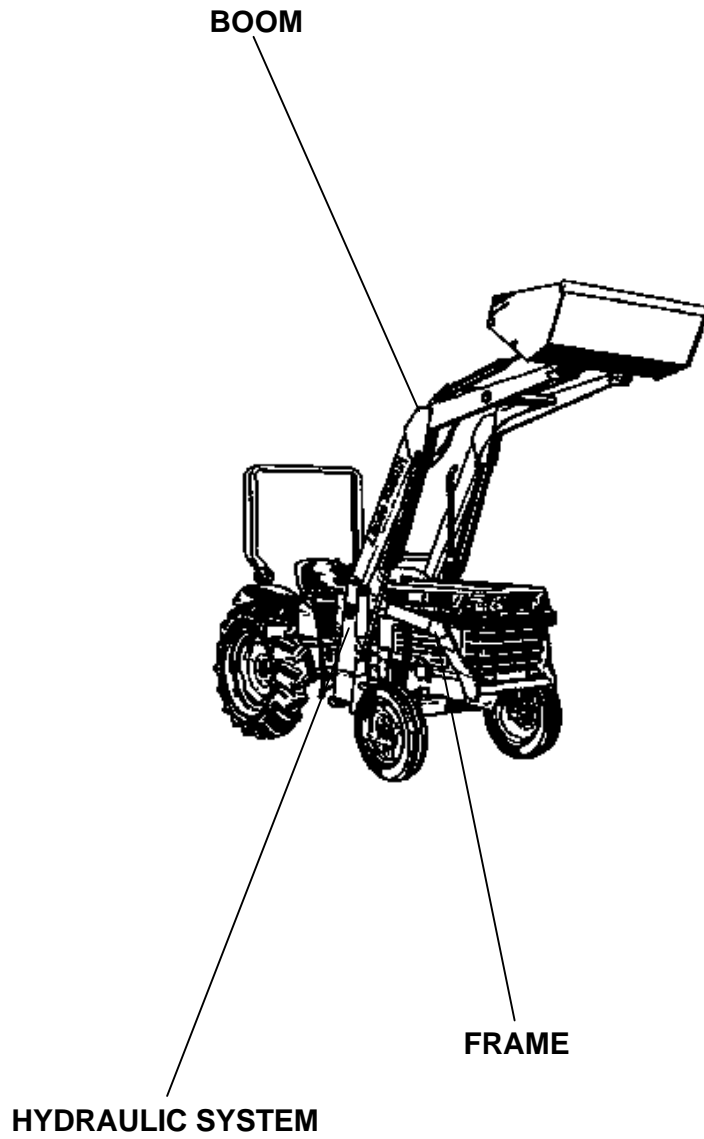
Note about Country Codes:

The parts books we use in the United States of America may also contain information about a part that would be different in another country. It is important that you are aware of the country codes in some instances.

Symbol	Country
A	United States of America
CA	Canada
FR	France
GR	Greece
PO	Portugal
AU	Australia

If the remarks column says for example EXCEPT [FR] this part works in all countries except France. That means it will work here in the USA.

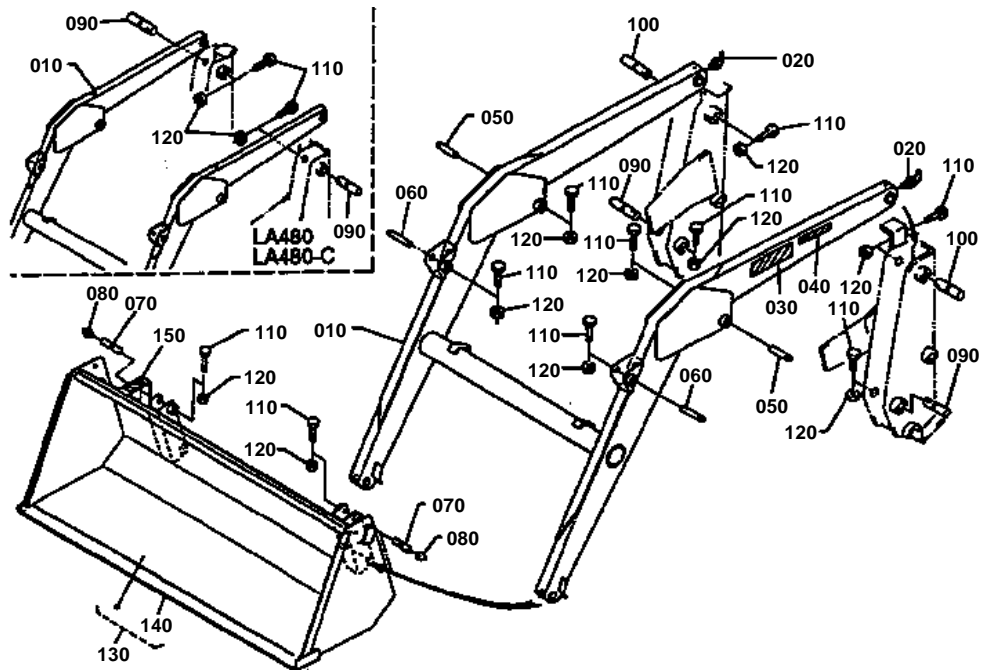
ALL PRODUCT INDEX
LA480



ACCESSORIES

Item	Part No.	Description	Book
FRAME	01L00101	MAIN FRAME	100K0443
	01L00201	SIDE FRAME	100K0443
BOOM	01L003	BOOM	100K0443
HYDRAULIC SYSTEM	01L00401	CONTROL VALVE	100K0443
	01L00402	CONTROL VALVE	100K0443
	01L00501	CONTROL VALVE [COMPONENT PARTS]	100K0443
	01L00502	CONTROL VALVE [COMPONENT PARTS]	100K0443
	01L00601	CONTROL LEVER	100K0443
	01L00602	CONTROL LEVER	100K0443
	01L00603	KIT CABLE CONVERSION	100K0443
	01L007	CYLINDER AND HYDRAULIC HOSE	100K0443
	01L00801	CYLINDER (BOOM) [COMPONENT PARTS]	100K0443
	01L00802	CYLINDER (BOOM) [COMPONENT PARTS]	100K0443
	01L00901	CYLINDER (BUCKET) [COMPONENT PARTS]	100K0443
	01L00902	CYLINDER (BUCKET) [COMPONENT PARTS]	100K0443
	01L010	HYDRAULIC TUBE	100K0443
01L011	HYDRAULIC HOSE	100K0443	
FRAME	01L012	FRONT GUARD [OPTION]	100K0443
ACCESSORIES	01L013	ACCESSORIES AND SERVICE PARTS	100K0443

BOOM

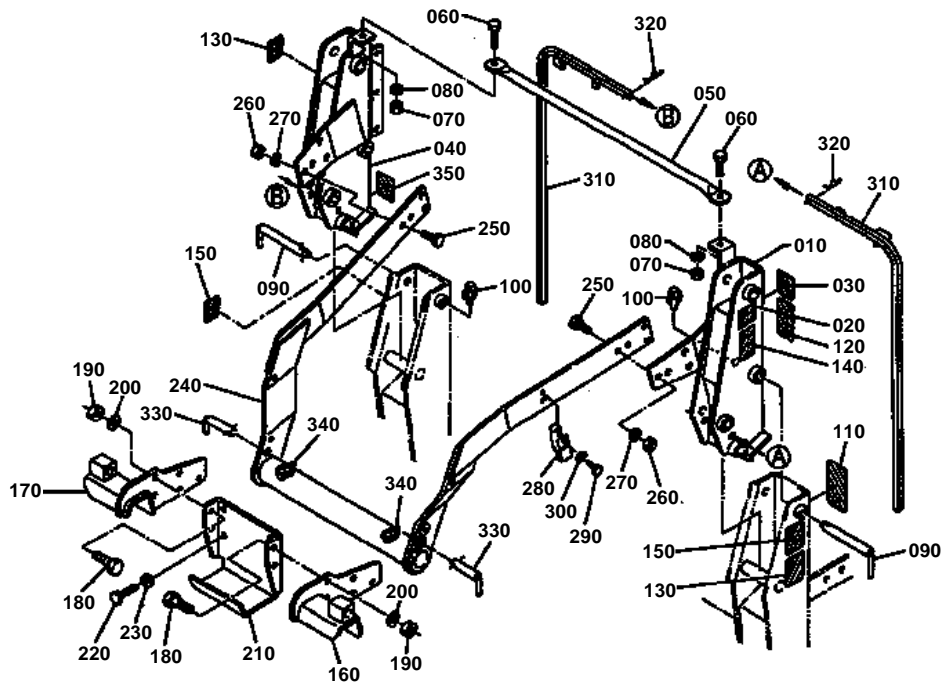


**BOOM**

↔ Interchangeable; ≠ not interchangeable; ← new for old; → old for new

REF.No	Part No.	Description	Q'ty	S.No.	I/C	REMARKS	Weight (kgf)	Weight (lb)
010	75545-58012	BOOM	1				0	0
020	75532-63470	FITTING GREASE(90DEG	2				0	0
030	75580-58452	LABEL KUBOTA	2				0	0
040	75548-58460	LABEL LA480	2				0	0
050	75545-58510	PIN 1	2				0	0
060	75545-58610	PIN 2	2				0	0
070	75545-58710	PIN 3	4				0	0
080	75599-81521	FITTING GREASE(1/4-2	4				0	0
090	75548-58740	PIN 4	4				0	0
110	75599-03145	HEX.BOLT(1/4-20UNC*2	12				0	0
120	75599-31911	NUT LOCKING(1/4-20UN	12				0	0
130	75545-59010	BUCKET 60	1				0	0
140	75540-59320	EDGE CUTTING	1				0	0
150	75540-59450	LABEL LEVELER	1				0	0

SIDE FRAME

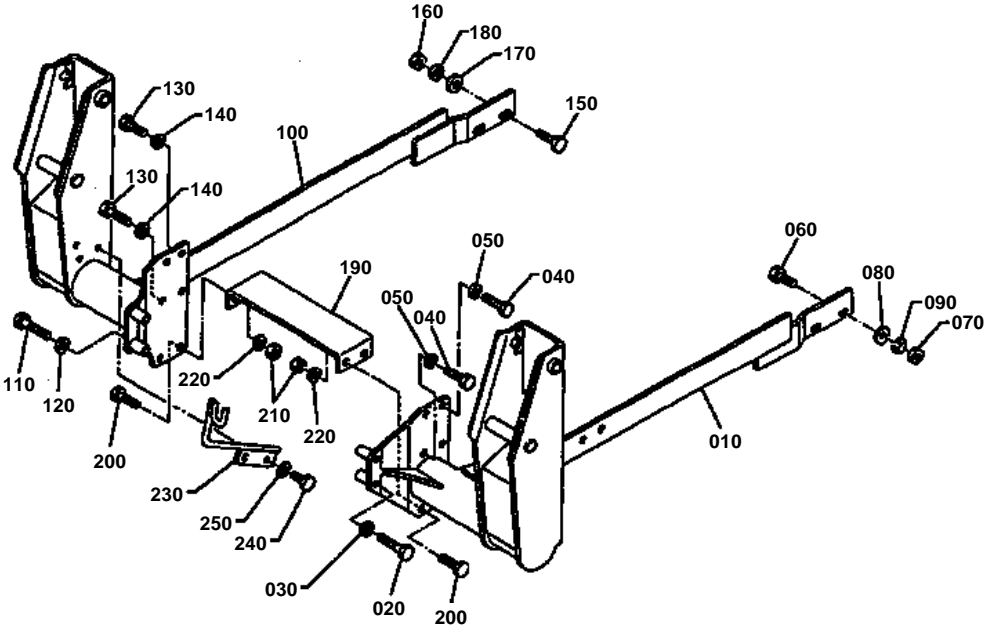


**SIDE FRAME**

↔ Interchangeable; ≠ not interchangeable; ← new for old; → old for new

REF.No	Part No.	Description	Q'ty	S.No.	I/C	REMARKS	Weight (kgf)	Weight (lb)
010	75549-56010	FRAME SIDE LH	1				0	0
020	75548-56350	LABEL MODEL	1				0	0
030	75580-56370	LABEL LUBRICATE	1				0	0
040	75549-56032	FRAME SIDE RH	1				0	0
050	75548-56710	CONNECTOR SIDE FRAME	1				0	0
060	75599-04630	HEX.BOLT(9/16-18UNF*	2				0	0
070	75599-31066	HEX.NUT(9/16-18UNF)	2				0	0
080	75599-33016	WASHER SPRING LOCK(9	2				0.08	0.176
090	75548-56810	PIN	2				0	0
100	75548-56820	PIN LUNCH	2				0	0
110	75546-56410	LABEL DANGER 1	1				0	0
120	75546-56430	LABEL DANGER 3	1				0	0
130	75546-56440	LABEL WARNING 1	2				0	0
140	75546-56450	LABEL CAUTION 1	1				0	0
150	75546-56470	LABEL CAUTION 3	2				0	0
160	75548-57100	SUPPORT BRACE LH	1				0	0
170	75548-57200	SUPPORT BRACE RH	1				0	0
180	75599-04635	HEX.BOLT(9/16-18UNF*	10				0	0
190	75599-31066	HEX.NUT(9/16-18UNF)	10				0	0
200	75599-33016	WASHER SPRING LOCK(9	10				0.08	0.176
210	75548-57310	CONNECTOR FRONT	1				0	0
220	01073-51440	HEX.BOLT(M14*1.5*40)	4				0.069	0.1518
230	75599-33016	WASHER SPRING LOCK(9	4				0.08	0.176
240	75548-57400	BRACE	1				0	0
250	75599-04630	HEX.BOLT(9/16-18UNF*	8				0	0
260	75599-31066	HEX.NUT(9/16-18UNF)	8				0	0
270	75599-33016	WASHER SPRING LOCK(9	8				0.08	0.176
280	75540-57532	PLATE SPRING	1				0	0
290	75599-01210	HEX.BOLT(5/16-18UNC*	2				0	0
300	75599-33012	WASHER SPRING LOCK(5	2				0	0
310	75548-57550	STAND	2				0	0
320	75540-56720	PIN SPRING	2				0	0
330	75548-57610	PIN	2				0	0
340	75548-56820	PIN LYNCH	2				0	0
350	75548-56480	LABEL INDICATOR	1				0	0

MAIN FRAME

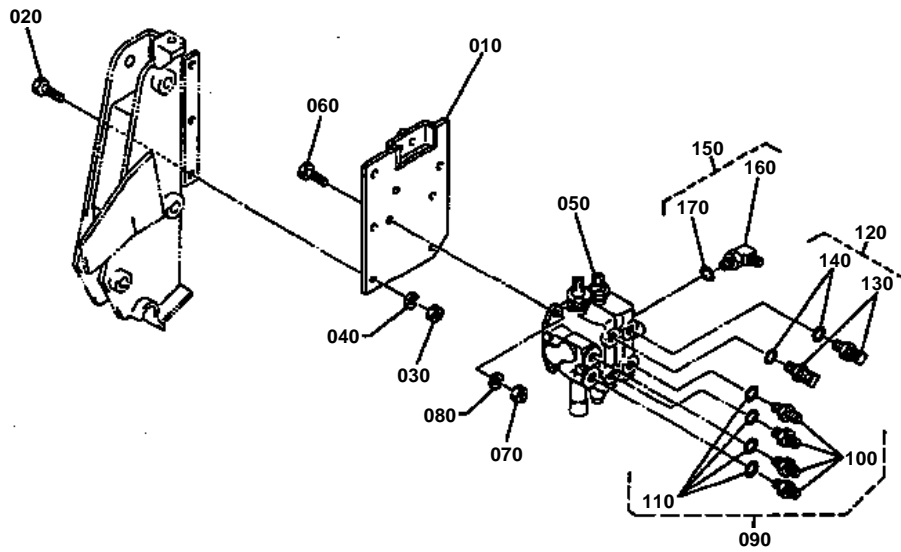


**MAIN FRAME**

↔ Interchangeable; ≠ not interchangeable; ← new for old; → old for new

REF.No	Part No.	Description	Q'ty	S.No.	I/C	REMARKS	Weight (kgf)	Weight (lb)
010	75549-55010	FRAME MAIN LH	1				0	0
020	01073-51280	HEX.BOLT(M12*1.25*80)	2				0.078	0.1716
030	04512-50120	WASHER SPRING LOCK(M)	2				0.003	0.0066
040	01073-51435	HEX.BOLT(M14*1.5*35)	4				0.063	0.1386
050	75599-33016	WASHER SPRING LOCK(9)	4				0.08	0.176
060	75599-04630	HEX.BOLT(9/16-18UNF*)	2				0	0
070	75599-31066	HEX NUT(9/16-18UNF)	2				0	0
080	75599-32016	WASHER PLAIN(9/16)	2				0.009	0.0198
090	75599-33016	WASHER SPRING LOCK(9)	2				0.08	0.176
100	75549-55030	FRAME MAIN RH	1				0	0
110	01073-51280	HEX.BOLT(M12*1.25*80)	2				0.078	0.1716
120	04512-50120	WASHER SPRING LOCK(M)	2				0.003	0.0066
130	01073-51435	HEX.BOLT(M14*1.5*35)	4				0.063	0.1386
140	75599-33016	WASHER SPRING LOCK(9)	4				0.08	0.176
150	75599-04630	HEX.BOLT(9/16-18UNF*)	2				0	0
160	75599-31066	HEX.NUT(9/16-18UNF)	2				0	0
170	75599-32016	WASHER PLAIN(9/16)	2				0.009	0.0198
180	75599-33016	WASHER SPRING LOCK(9)	2				0.08	0.176
190	75548-55910	CONNECTOR	1				0	0
200	75599-04635	HEX.BOLT(9/16-18UNF*)	4				0	0
210	75599-31066	HEX.NUT(9/16-18UNF)	4				0	0
220	75599-33016	WASHER SPRING LOCK(9)	4				0.08	0.176
230	75548-66950	SUPPORT HOSE	1			STANDARD VALVE TYPE (L2075)	0	0
240	75599-03525	HEX.BOLT(1/2-13UNC*1)	2			STANDARD VALVE TYPE (L2075)	0	0
250	75599-33015	WASHER SPRING LOCK(1)	2			STANDARD VALVE TYPE (L2075)	0	0

CONTROL VALVE



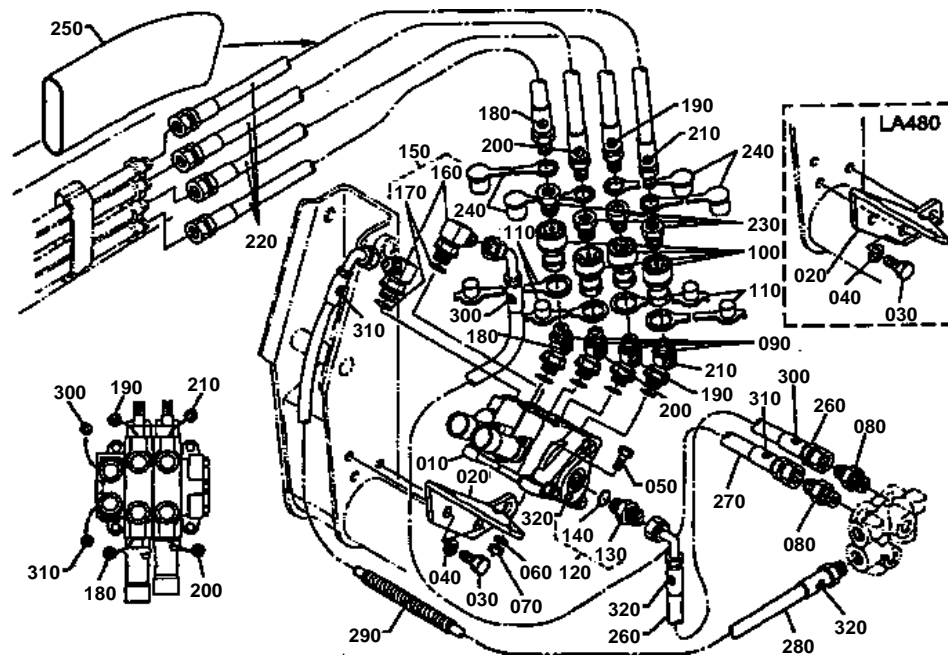


CONTROL VALVE
[STANDARD VALVE TYPE (L2075)]

↔ Interchangeable; ≠ not interchangeable; ← new for old; → old for new

REF.No	Part No.	Description	Q'ty	S.No.	I/C	REMARKS	Weight (kgf)	Weight (lb)
010	75540-61110	STAY VALVE	1				0	0
020	75599-03525	HEX.BOLT(1/2-13UNC*1	3				0	0
030	75599-31015	HEX.NUT(1/2-13UNC)	3				0	0
040	75599-33015	WASHER SPRING LOCK(1	3				0	0
050	75540-61012	VALVE CONTROL	1				0	0
060	75599-03325	HEX.BOLT(3/8-16UNC*1	3				0	0
070	75599-31013	HEX.NUT(3/8-16UNC)	3				0	0
080	75599-33013	WASHER SPRING LOCK(3	3				0	0
090	75580-61800	ASSY ADAPTER 1	4				0	0
100	75580-61810	ADAPTER 1	4				0	0
110	75540-61820	O-RING	4				0	0
120	75540-61900	ASSY ELBOW ADJUSTABL	2				0	0
130	75540-61910	ELBOW ADJUSTABLE	2				0	0
140	75540-61820	O-RING	2				0	0
150	75560-61950	ASSY ELBOW 2 ADJUSTA	1				0	0
160	75560-61960	ELBOW 2 ADJUSTABLE	1				0	0
170	75540-61820	O-RING	1				0	0

CONTROL VALVE



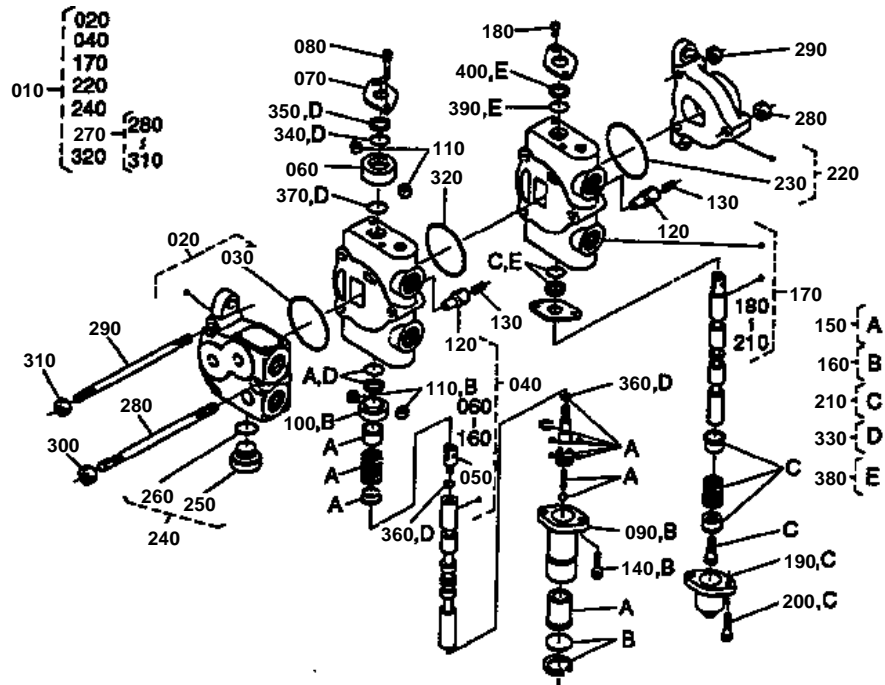


CONTROL VALVE
[REMOTE VALVE TYPE (L2076)]

↔ Interchangeable; ≠ not interchangeable; ← new for old; → old for new

REF.No	Part No.	Description	Q'ty	S.No.	I/C	REMARKS	Weight (kgf)	Weight (lb)
010	75553-71010	VALVE CONTROL	1				0	0
020	75548-71110	STAY VALVE	1				0	0
030	75599-03525	HEX.BOLT(1/2-13UNC*1	2				0	0
040	75599-33015	WASHER SPRING LOCK(1	2				0	0
050	75599-03325	HEX.BOLT(3/8-16UNC*1	3				0	0
060	75599-33013	WASHER SPRING LOCK(3	3				0	0
070	75599-31013	HEX.NUT(3/8-16UNC)	3				0	0
080	75582-66810	ADAPTER 1	2			3/8-19 BSPT X 3/4-16 JIC	0	0
090	75553-71810	ELBOW 45	4				0	0
100	75540-66320	COUPLER	4				0	0
110	75540-66330	PLUG DUST	4				0	0
120	75580-61800	ASSY ADAPTER 1	1				0	0
130	75580-61810	ADAPTER 1	1				0	0
140	75540-61820	O-RING	1				0	0
150	75560-61950	ASSY ELBOW 2 ADJUSTA	2				0	0
160	75560-61960	ELBOW 2 ADJUSTABLE	2				0	0
170	75540-61820	O-RING	2				0	0
180	75540-64950	MARK WHITE	3				0	0
190	75540-64960	MARK YELLOW	3				0	0
200	75540-64970	MARK BLUE	3				0	0
210	75540-64980	MARK RED	3				0	0
220	75553-76112	HOSE 1 HYDRAULIC	4			L:50.0 9/16-18 JIC X 3/4-18 NPTF	0	0
230	75540-66220	NIPPLE	4				0	0
240	75540-66430	CAP DUST	4				0	0
250	75590-64580	SLEEVE	1				0	0
260	75548-76210	HOSE 4 HYDRAULIC	1			L:26.5 3/4-16 X 3/4-16 90 BENT TUBE	0	0
270	75548-76410	HOSE 6 HYDRAULIC	1			L:20.5 3/4-16 X 3/4-16 45 BENT TUBE	0	0
280	75548-76510	HOSE 7 HYDRAULIC	1			L:29.0 3/8-19 BSPT X 3/4-16 90 BENT TUBE	0	0
290	75548-76550	GUARD HOSE	1				0	0
300	75580-68950	MARK ORANGE	3				0	0
310	75580-68960	MARK GRAY	3				0	0
320	75580-68970	MARK GREEN	3				0	0

CONTROL VALVE [COMPONENT PARTS]



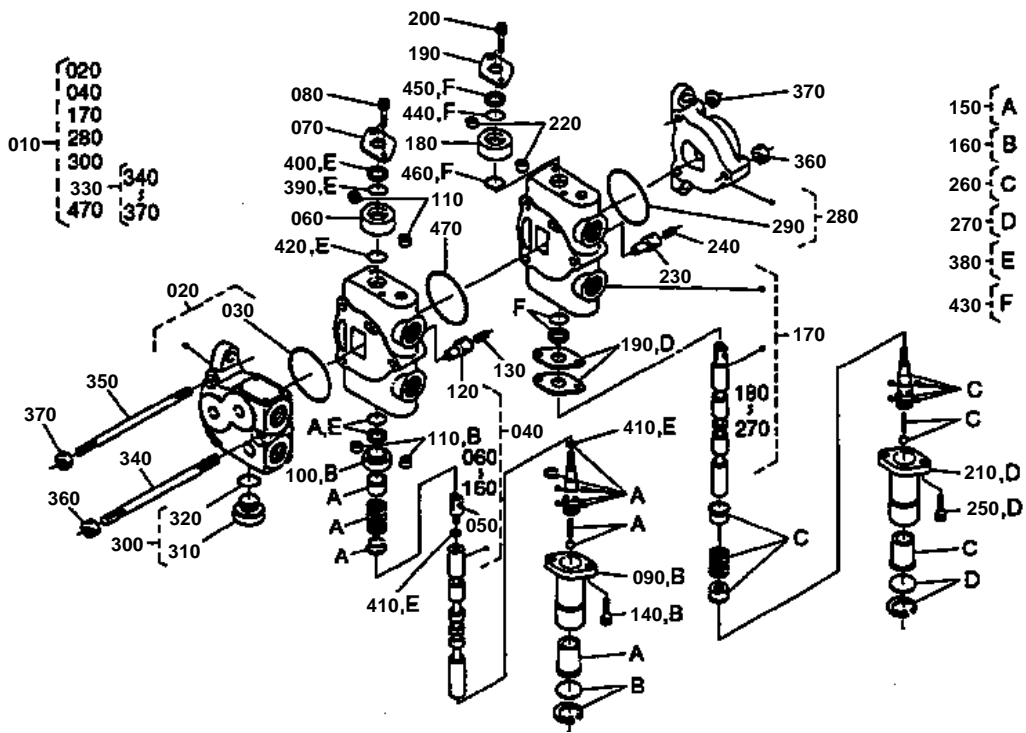


CONTROL VALVE [COMPONENT PARTS]
[STANDARD VALVE TYPE (L2075)]

↔ Interchangeable; ≠ not interchangeable; ← new for old; → old for new

REF.No	Part No.	Description	Q'ty	S.No.	I/C	REMARKS	Weight (kgf)	Weight (lb)
010	75540-61012	VALVE CONTROL	1				0	0
020	75540-61202	ASSY INLET SECTION	1				0	0
030	75540-61250	O-RING	1				0	0
040	75540-61300	ASSY SPOOL SECTION 1	1				0	0
050	75540-61310	CLEVIS END	1				0	0
060	75540-61320	SPACER-CAP SPOOL	1				0	0
070	75540-61330	PLATE-SEAL	1				0	0
080	75540-61340	CAP SCREW-SOC.HD.	2				0	0
090	75540-61350	CAP SPOOL	1				0	0
100	75540-61360	SPACER-CAP SPOOL	1				0	0
110	75540-61370	SPACER	4				0	0
120	75540-61380	POPPET-C.V.	1				0	0
130	75540-61390	SPRING	1				0	0
140	75540-61410	CAP SCREW-SOC.HD.	2				0	0
150	75540-61420	KIT DETENT	1				0	0
160	75540-61430	KIT CAP SPOOL SEC. 1	1				0	0
170	75540-61400	ASSY SPOOL SECTION 2	1				0	0
180	75540-61440	MACHINE SCREW-RD.HD.	2				0	0
190	75540-61450	CAP-SPOOL	1				0	0
200	75540-61460	CAP SCREW-SOC.HD.	2				0	0
210	75540-61470	KIT CAP.SPOOL SEC.2	1				0	0
220	75540-61500	ASSY OUTLET SECTION	1				0	0
230	75540-61250	O-RING	1				0	0
240	75540-61602	ASSY PLUG	1				0	0
250	75540-61610	PLUG-SAE	1				0	0
260	75540-61620	O-RING	1				0	0
270	75540-61700	KIT TIE ROD	1				0	0
280	75540-61710	TIE ROD	1				0	0
290	75540-61720	TIE ROD	2				0	0
300	75540-61730	NUT-SPECIAL	2				0	0
310	75540-61740	NUT-SPECIAL	4				0	0
320	75540-61250	O-RING	1				0	0
330	75540-99700	KIT SEAL SPOOL SECTI	1				0	0
340	75540-99710	O-RING	2				0	0
350	75540-99720	WIPER	1				0	0
360	75540-99730	O-RING	2				0	0
370	75540-99740	O-RING	2				0	0
380	75540-99800	KIT SEAL SPOOL SECTI	1				0	0
390	75540-99710	O-RING	2				0	0
400	75540-99720	WIPER	2				0	0

CONTROL VALVE [COMPONENT PARTS]



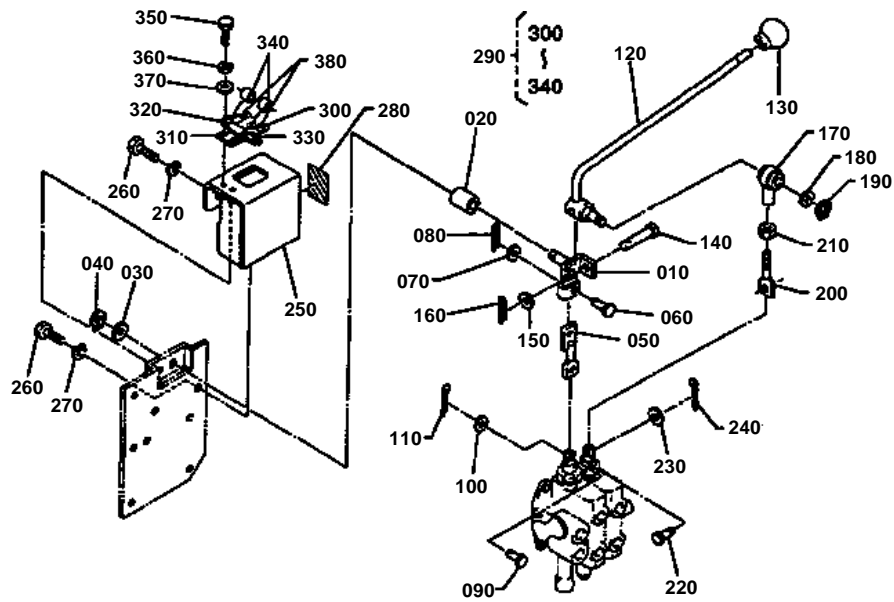


CONTROL VALVE [COMPONENT PARTS]
[REMOTE VALVE TYPE (L2076)]

↔ Interchangeable; ≠ not interchangeable; ← new for old; → old for new

REF.No	Part No.	Description	Q'ty	S.No.	I/C	REMARKS	Weight (kgf)	Weight (lb)
010	75553-71010	VALVE CONTROL	1				0	0
020	75540-61202	ASSY INLET SECTION	1				0	0
030	75540-61250	O-RING	1				0	0
040	75540-61300	ASSY SPOOL SECTION 1	1				0	0
050	75540-61310	CLEVIS END	1				0	0
060	75540-61320	SPACER-CAP SPOOL	1				0	0
070	75540-61330	PLATE-SEAL	1				0	0
080	75540-61340	CAP SCREW-SOC.HD.	2				0	0
090	75540-61350	CAP-SPOOL	1				0	0
100	75540-61360	SPACER-CAP SPOOL	1				0	0
110	75540-61370	SPACER	4				0	0
120	75540-61380	POPPET-C.V.	1				0	0
130	75540-61390	SPRING	1				0	0
140	75540-61410	CAP SCREW-SOC.HD.	2				0	0
150	75540-61420	KIT DETENT	1				0	0
160	75540-61430	KIT CAP SPOOL SEC.1	1				0	0
170	75553-71400	ASSY SPOOL SECTION 2	1				0	0
180	75540-61320	SPACER-CAP SPOOL	1				0	0
190	75540-61330	PLATE-SEAL	3				0	0
200	75540-61340	CAP SCREW-SOC.HD.	2				0	0
210	75540-61350	CAP SPOOL	1				0	0
220	75540-61370	SPACER	2				0	0
230	75540-61380	POPPET-C.V.	1				0	0
240	75540-61390	SPRING	1				0	0
250	75553-71450	CAP SCREW-SOC.HD.	2				0	0
260	75553-71460	KIT INTERNAL	1				0	0
270	75553-71470	KIT CAP SPOOL SEC.2	1				0	0
280	75540-61500	ASSY OUTLET SECTION	1				0	0
290	75540-61250	O-RING	1				0	0
300	75540-61602	ASSY PLUG	1				0	0
310	75540-61610	PLUG-SAE	1				0	0
320	75540-61620	O-RING	1				0	0
330	75540-61700	KIT TIE ROD	1				0	0
340	75540-61710	TIE ROD	1				0	0
350	75540-61720	TIE ROD	1				0	0
360	75540-61730	NUT-SPECIAL	2				0	0
370	75540-61740	NUT-SPECIAL	4				0	0
380	75540-99700	KIT SEAL SPOOL SEC.1	1				0	0
390	75540-99710	O-RING	2				0	0
400	75540-99720	WIPER	1				0	0
410	75540-99730	O-RING	2				0	0
420	75540-99740	O-RING	2				0	0
430	75553-99800	KIT SEAL SPOOL SEC.2	1				0	0
440	75553-99810	O-RING	2				0	0
450	75540-99720	WIPER	2				0	0
460	75540-99740	O-RING	1				0	0
470	75540-61250	O-RING	1				0	0

CONTROL LEVER



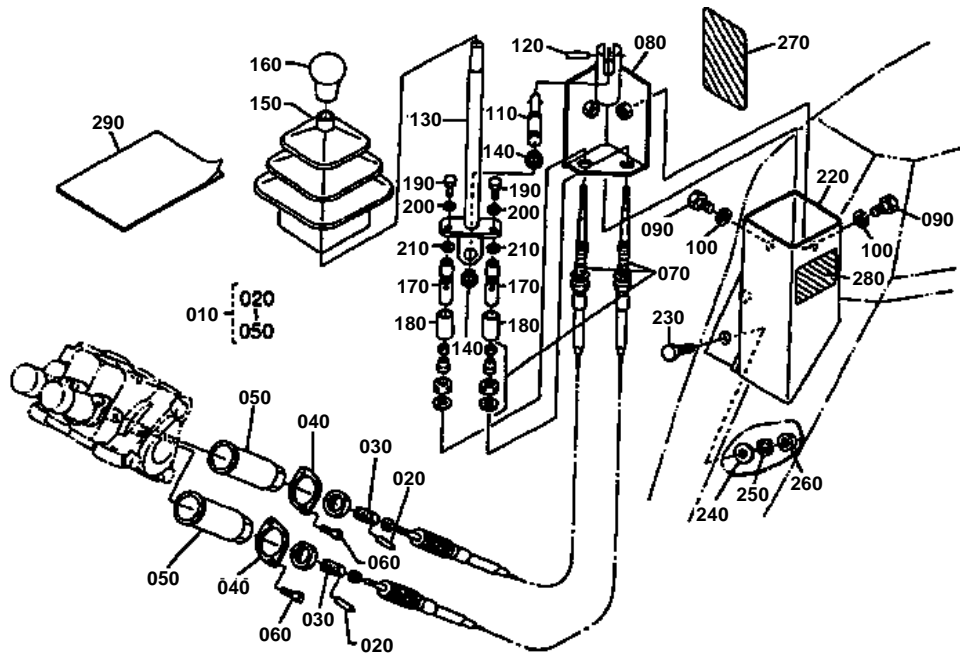


CONTROL LEVER
[STANDARD VALVE TYPE (L2075)]

↔ Interchangeable; ≠ not interchangeable; ← new for old; → old for new

REF.No	Part No.	Description	Q'ty	S.No.	I/C	REMARKS	Weight (kgf)	Weight (lb)
010	75540-62110	LEVER	1				0	0
020	75540-62140	BUSHING	1				0	0
030	75545-62150	COLLAR 5/8	1				0	0
040	75599-41522	CIR-CLIP EXTERNAL(5/	1				0	0
050	75540-62160	ROD 1	1				0	0
060	75599-51220	PIN CLEVIS(5/16*1)	1				0	0
070	75599-32012	WASHER PLAIN(5/16)	1				0.002	0.0044
080	75599-53152	PIN COTTER(3/32*3/4)	1				0	0
090	75540-62190	PIN	1				0	0
100	75599-32009	WASHER PLAIN(13/64)	1				0	0
110	75599-53111	PIN COTTER(1/32*1/2)	1				0	0
120	75548-62210	LEVER CONTROL	1				0	0
130	31355-82520	GRIP LEVER	1				0.05	0.11
140	75599-51540	PIN CLEVIS(1/2*2)	1				0	0
150	75599-32015	WASHER PLAIN(1/2)	1				0	0
160	75599-53173	PIN COTTER(1/8*1)	1				0.002	0.0044
170	75540-62260	JOINT ROD END	1				0	0
180	75540-62270	COLLAR	1				0	0
190	75599-41515	CIR-CLIP EXTERNAL(3/	1				0	0
200	75540-62280	ROD 2	1				0	0
210	75599-31043	HEX.JAM NUT(3/8-24UN	1				0	0
220	75540-62190	PIN	1				0	0
230	75599-32009	WASHER PLAIN(13/64)	1				0	0
240	75599-53111	PIN COTTER(1/32*1/2)	1				0	0
250	75540-62310	COVER	1				0	0
260	75599-01215	HEX.BOLT(5/16-18UNC*	3				0	0
270	75599-33012	WASHER SPRING LOCK(5	3				0	0
280	75540-62360	LABEL CONTROL	1				0	0
290	75548-62400	ASSY LIMITER	1				0	0
300	75540-62410	PLATE LIMITER	1				0	0
310	75548-62420	HINGE	1				0	0
320	75599-01255	HEX.BOLT(5/16-18UNC*	1				0	0
330	75599-31912	NUT LOCKING(5/16-18U	1				0	0
340	75548-62440	CUSHION RUBBER	2				0	0
350	75599-01212	HEX.BOLT(5/16-18UNC*	2				0	0
360	75599-33012	WASHER SPRING LOCK(5	2				0	0
370	75599-32012	WASHER PLAIN(5/16)	2				0.002	0.0044
380	75540-62450	CUSHION 1 RUBBER	2				0	0

CONTROL LEVER



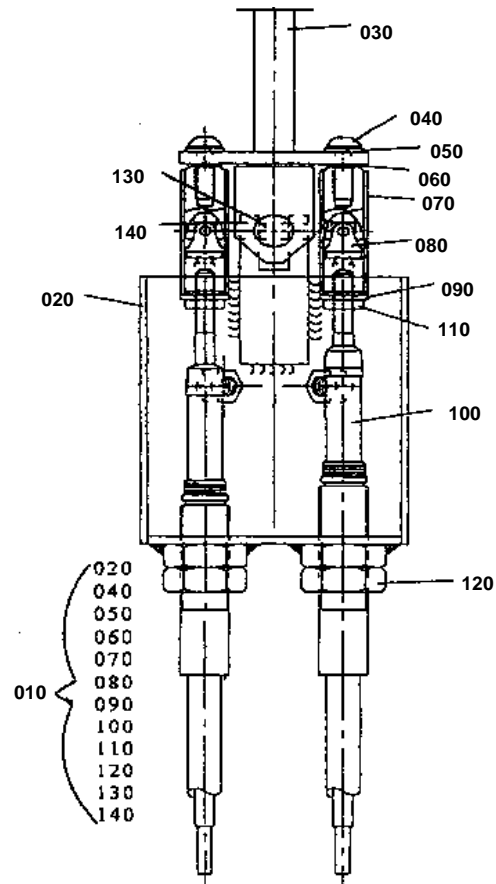


CONTROL LEVER
[REMOTE VALVE TYPE (L2076)]

↔ Interchangeable; ≠ not interchangeable; ← new for old; → old for new

REF.No	Part No.	Description	Q'ty	S.No.	I/C	REMARKS	Weight (kgf)	Weight (lb)
010	75553-77110	KIT CABLE END	2				0	0
020	75553-77120	CLEVIS PIN	2				0	0
030	75553-77130	TERMINAL EYE	2				0	0
040	75553-77140	FLANGE	2				0	0
050	75553-77150	SLEEVE	2				0	0
060	75599-17125	SCREW S.H.(1/4UNC*1	4				0	0
070	75548-77210	CABLE SAE(43.5)	2				0	0
080	75545-77500	COMP CONTROLLER	1				0	0
090	75599-01212	HEX.BOLT(5/16-18UNC*	2				0	0
100	75599-33012	WASHER SPRING LOCK(5	2				0	0
110	75545-77550	ROD PIVOT	1				0	0
120	75599-54717	PIN DOWEL(1/4*7/8)	1				0	0
130	75545-77610	LEVER CONTROL	1				0	0
140	75599-41519	CIR-CLIP EXTERNAL(1/	2				0	0
150	75545-77650	BOOT	1				0	0
160	31355-82520	GRIP LEVER	1				0.05	0.11
170	75545-77660	U JOINT	2				0	0
180	75545-77670	BOOT U-JOINT	2				0	0
190	75590-54150	SCREW(10-32UNF*5/8)	2				0	0
200	75599-33008	WASHER SPRING LOCK(#	2				0	0
210	75599-33508	WASHER STOOOTH LOCK(#	2				0	0
220	75548-77700	COMP STAND	1				0	0
230	75599-01220	HEX.BOLT(5/16-18UNC*	3				0	0
240	75599-32112	WASHER PLAIN(5/16W)	3				0	0
250	75599-33012	WASHER SPRING LOCK(5	3				0	0
260	75599-31012	HEX.NUT(5/16-18UNC)	3				0	0
270	75540-62360	LABEL CONTROL	1				0	0
280	75548-78210	LABEL MODEL	1				0	0
290	75548-79110	INSTALLATION MANUAL	1				0	0

KIT CABLE CONVERSION



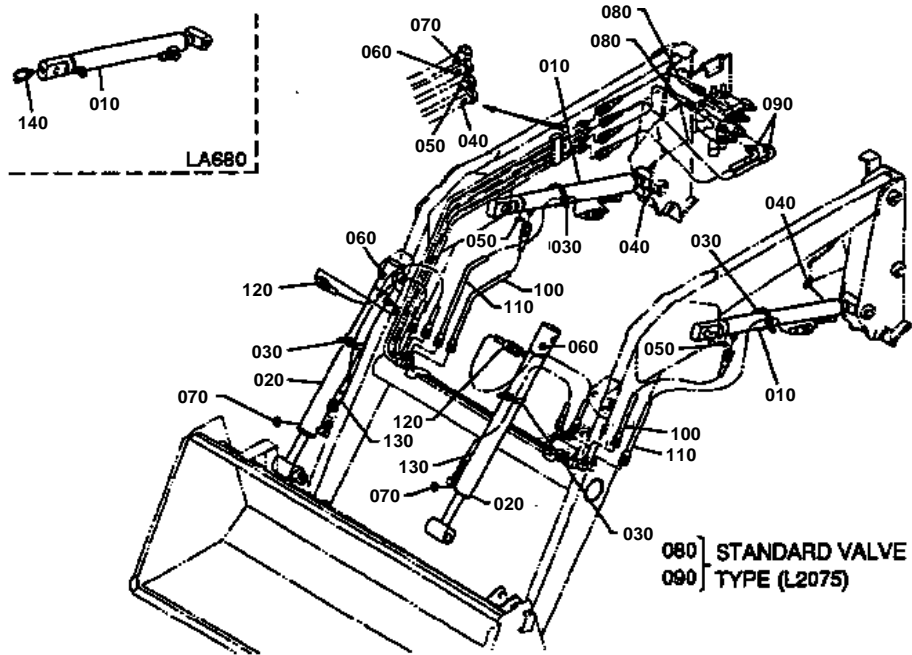
**KIT CABLE CONVERSION**

S.No.;>=11370

↔ Interchangeable; ≠ not interchangeable; ← new for old; → old for new

REF.No	Part No.	Description	Q'ty	S.No.	I/C	REMARKS	Weight (kgf)	Weight (lb)
010	75548-71100	KIT CABLE CONVERSION	1				0	0
020	75548-77500	COMP CONTROLLER	1				0	0
030	75548-77612	LEVER CONTROL	1			NOT IN KIT MUST MODIFY	0	0
040	75599-26113	SCREW S.B.H.(1/4-28*	2				0	0
050	75599-33011	WASHER SPRING LOCK (2				0	0
060	75599-33511	WASHER TOOTH LOCK (1	2				0	0
070	75536-77670	BOOT U-JOINT	2				0	0
080	75548-77660	U-JOINT	2				0	0
090	75599-32011	WASHER PLAIN (1/4)	2				0.001	0.0022
100	75548-77212	CABLE SAE (45.0)	2				0	0
110	75599-31041	HEX JAM NUT (1/4-28U	2			SUPPLIED WITH CABLE	0	0
120	75599-31047	HEX JAM NUT (5/8-18U	2			SUPPLIED WITH CABLE	0	0
130	75545-77550	ROD PIVOT	1				0	0
140	75599-54717	PIN DOWEL (1/4*7/8)	1				0	0

CYLINDER AND HYDRAULIC HOSE



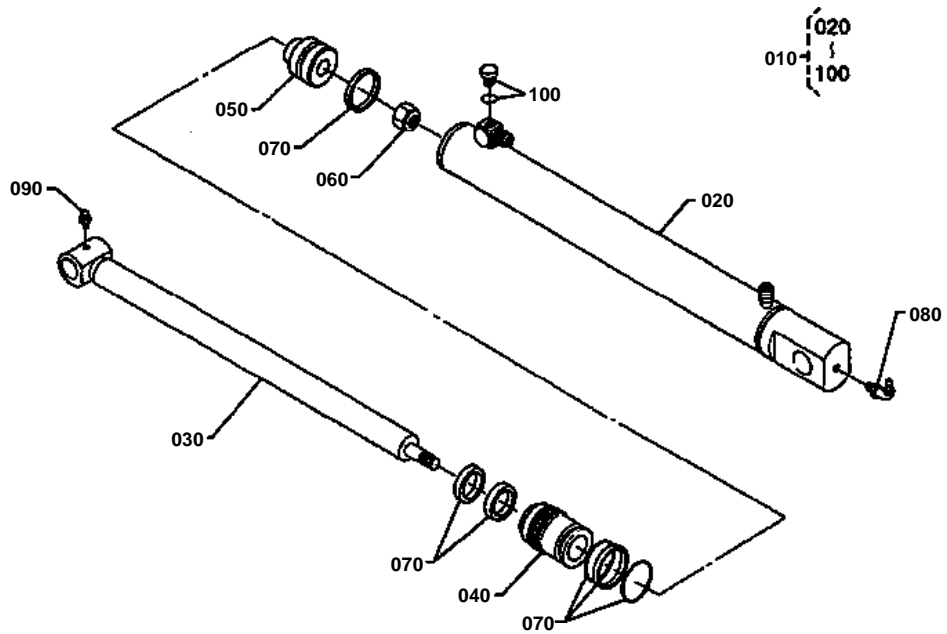


CYLINDER AND HYDRAULIC HOSE

↔ Interchangeable; ≠ not interchangeable; ← new for old; → old for new

REF.No	Part No.	Description	Q'ty	S.No.	I/C	REMARKS	Weight (kgf)	Weight (lb)
010	75545-63012	CYLINDER 1	2	≤30054		REFER TO L.No.0B12-L0 FOR COMPONENTS	0	0
010	75545-63110	CYLINDER 1	2	≥30055	↔		0	0
020	75545-64010	CYLINDER 2	2	≤30054		REFER TO L.No.0B13-L0 FOR COMPONENTS	0	0
020	75545-64110	CYLINDER 2	2	≥30055	↔		0	0
030	75590-64650	BAND CODE	4				0	0
040	75540-64950	MARK WHITE	3				0	0
050	75540-64960	MARK YELLOW	3				0	0
060	75540-64970	MARK BLUE	3				0	0
070	75540-64980	MARK RED	3				0	0
080	75542-66112	HOSE 1 HYDRAULIC	2			L:33.0 9/16-18 BOTH ENDS	0	0
090	75542-66120	HOSE 2 HYDRAULIC	2			L:35.3 9/16-18 X 3/4-16 90 BENT TUBE	0	0
100	75545-66610	HOSE 8 HYDRAULIC	2			L:26.3 3/4-16 X 3/4-16 90 BENT TUBE	0	0
110	75542-66620	HOSE 9 HYDRAULIC	2			L:46.8 3/4-16 BOTH ENDS	0	0
120	75545-66630	HOSE 10 HYDRAULIC	2			L:12.0 3/4-16 BOTH ENDS	0	0
130	75542-66640	HOSE 11 HYDRAULIC	2			L:25.3 3/4-16 BOTH ENDS	0	0

CYLINDER (BOOM) [COMPONENT PARTS]



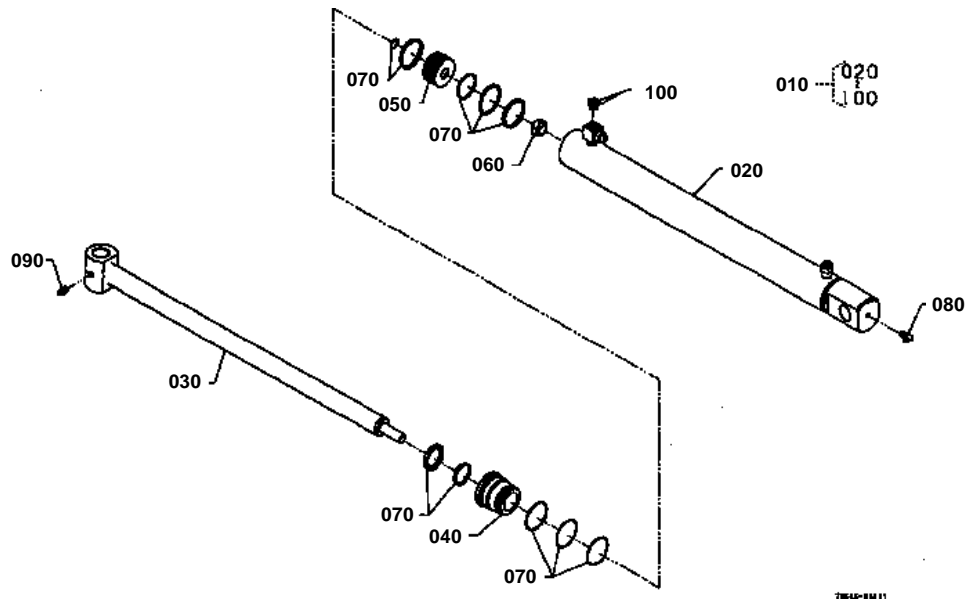
**CYLINDER (BOOM) [COMPONENT PARTS]**

S.No.;<=30054

↔ Interchangeable; ≠ not interchangeable; ← new for old; → old for new

REF.No	Part No.	Description	Q'ty	S.No.	I/C	REMARKS	Weight (kgf)	Weight (lb)
010	75545-63012	CYLINDER 1	2				0	0
020	75545-63100	TUBE 1 COMP	2				0	0
030	75545-63202	ROD 1 COMP	2				0	0
040	75545-63310	HEAD 1	2				0	0
050	75545-63350	PISTON 1	2				0	0
060	75545-63360	NUT	2				0	0
070	75545-63400	KIT 1 SEAL	2				0	0
080	75532-63470	FITTING GREASE(90DEG	2				0	0
090	75599-81531	FITTING GREASE(1/8-2	2				0	0
100	75540-63490	PLUG	2				0	0

CYLINDER (BOOM) [COMPONENT PARTS]



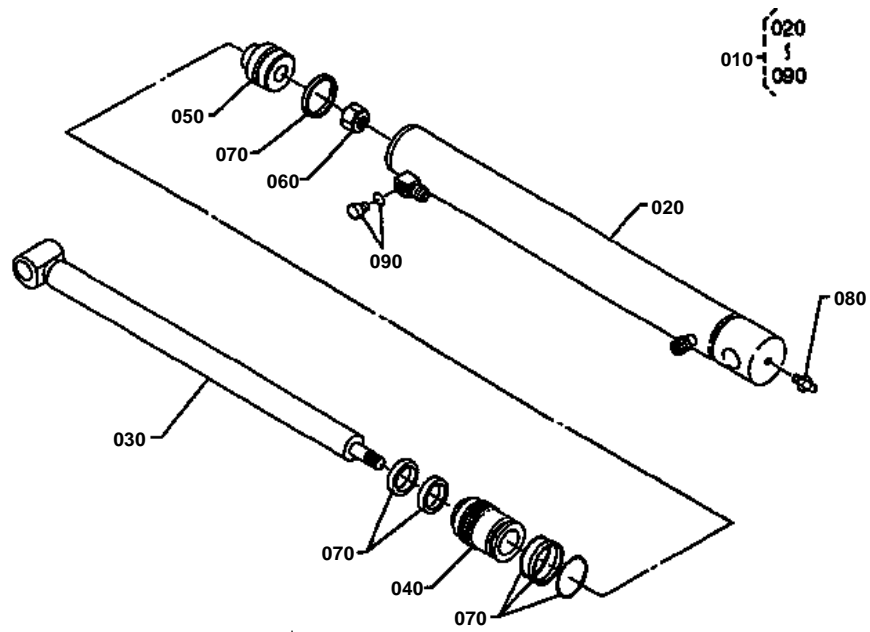
**CYLINDER (BOOM) [COMPONENT PARTS]**

S.No.;>=30055

↔ Interchangeable; ≠ not interchangeable; ← new for old; → old for new

REF.No	Part No.	Description	Q'ty	S.No.	I/C	REMARKS	Weight (kgf)	Weight (lb)
010	75545-63110	CYLINDER 1(ILLUSTRAT	2				0	0
020	75545-63300	TUBE 1 COMP	2				0	0
030	75545-63500	ROD 1 COMP	2				0	0
040	75545-63410	HEAD 1	2				0	0
050	75545-63430	PISTON 2	2				0	0
060	75545-64460	NUT(5/8-24UNFP)	2				0	0
070	75545-63600	KIT 1 SEAL	2				0	0
080	75532-63470	FITTING GREASE(90DEG	2				0	0
090	75599-81531	FITTING GREASE(1/8-2	2				0	0
100	75540-63490	PLUG	2				0	0

CYLINDER (BUCKET) [COMPONENT PARTS]



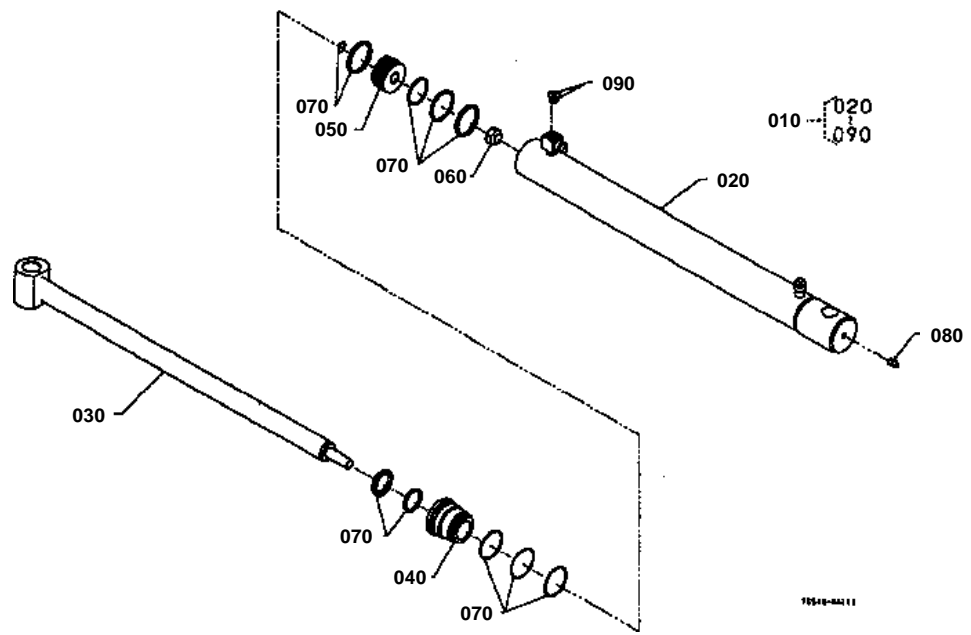
**CYLINDER (BUCKET) [COMPONENT PARTS]**

S.No.;<=30054

↔ Interchangeable; ≠ not interchangeable; ← new for old; → old for new

REF.No	Part No.	Description	Q'ty	S.No.	I/C	REMARKS	Weight (kgf)	Weight (lb)
010	75545-64010	CYLINDER 2	2				0	0
020	75545-64100	TUBE 2 COMP	2				0	0
030	75545-64200	ROD 2 COMP	2				0	0
040	75545-64310	HEAD 2	2				0	0
050	75545-64350	PISTON 2	2				0	0
060	75545-64360	NUT	2				0	0
070	75545-64400	KIT 2 SEAL	2				0	0
080	75599-81531	FITTING GREASE(1/8-2	2				0	0
090	75540-63490	PLUG	2				0	0

CYLINDER (BUCKET) [COMPONENT PARTS]



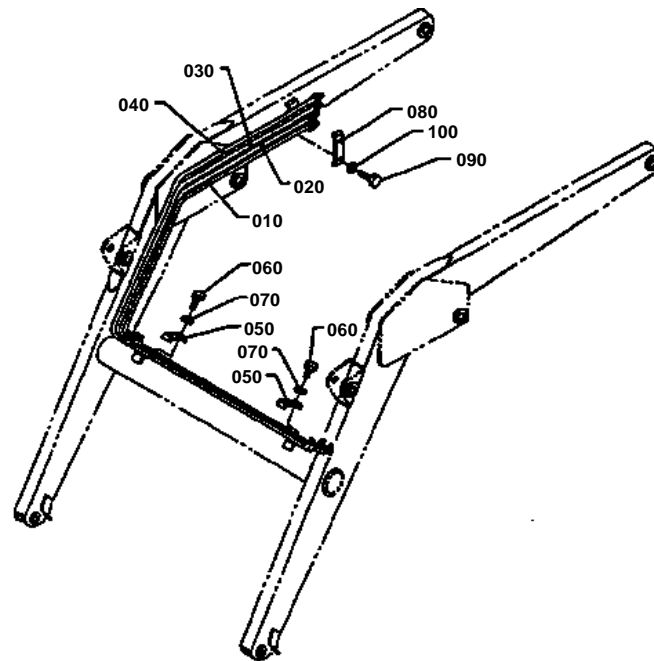
**CYLINDER (BUCKET) [COMPONENT PARTS]**

S.No.;>=30055

↔ Interchangeable; ≠ not interchangeable; ← new for old; → old for new

REF.No	Part No.	Description	Q'ty	S.No.	I/C	REMARKS	Weight (kgf)	Weight (lb)
010	75545-64110	CYLINDER 2(ILLUSTRAT	2				0	0
020	75545-64300	TUBE 2 COMP	2				0	0
030	75545-64500	ROD 2 COMP	2				0	0
040	75545-64410	HEAD 2	2				0	0
050	75545-63430	PISTON 2	2				0	0
060	75545-64460	NUT(5/8-24UNFP)	2				0	0
070	75545-64600	KIT 2 SEAL	2				0	0
080	75599-81531	FITTING GREASE(1/8-2	2				0	0
090	75540-63490	PLUG	2				0	0

HYDRAULIC TUBE



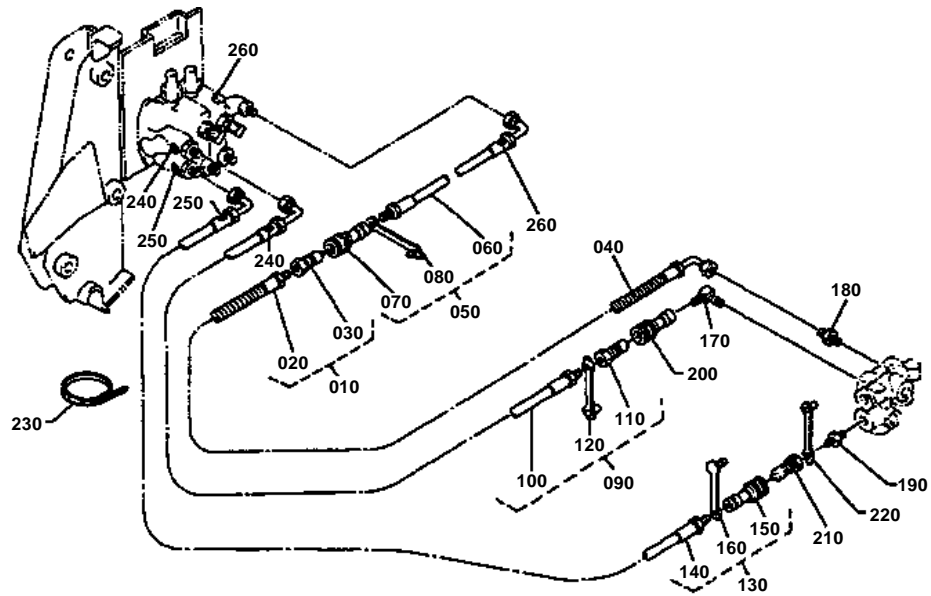


HYDRAULIC TUBE

↔ Interchangeable; ≠ not interchangeable; ← new for old; → old for new

REF.No	Part No.	Description	Q'ty	S.No.	I/C	REMARKS	Weight (kgf)	Weight (lb)
010	75540-65110	TUBE 1 HYDRAULIC	1				0	0
020	75540-65210	TUBE 2 HYDRAULIC	1				0	0
030	75540-65310	TUBE 3 HYDRAULIC	1				0	0
040	75580-65410	TUBE 4 HYDRAULIC	1				0	0
050	75540-65510	CLAMP 1	2				0	0
060	75599-01220	HEX.BOLT(5/16-18UNC*	4				0	0
070	75599-33012	WASHER SPRING LOCK(5	4				0	0
080	75540-65530	CLAMP 2	1				0	0
090	75599-01220	HEX.BOLT(5/16-18UNC*	2				0	0
100	75599-33012	WASHER SPRING LOCK(5	2				0	0

HYDRAULIC HOSE



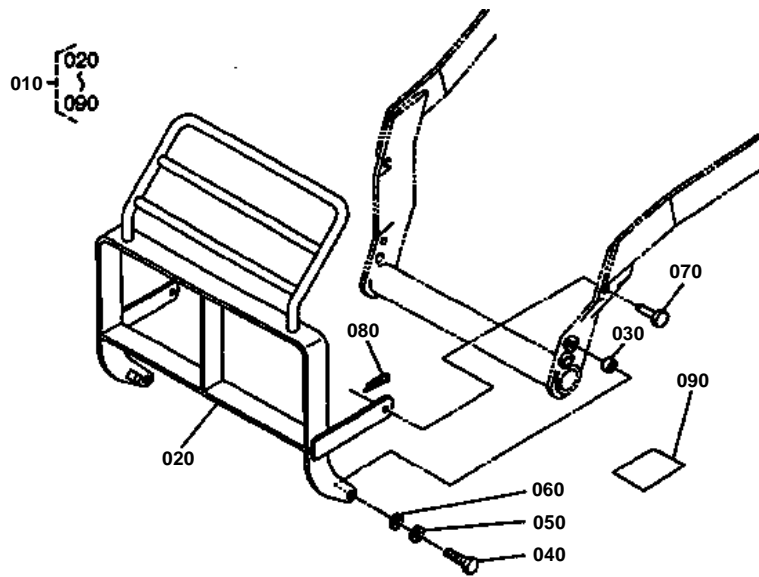


HYDRAULIC HOSE
[STANDARD VALVE TYPE (L2075)]

↔ Interchangeable; ≠ not interchangeable; ← new for old; → old for new

REF.No	Part No.	Description	Q'ty	S.No.	I/C	REMARKS	Weight (kgf)	Weight (lb)
010	75548-66200	ASSY HOSE 4 HYDRAULI	1				0	0
020	75548-66210	HOSE 4 HYDRAULIC	1			L:33.9 3/8-18NPTF X 3/4-16 90 BENT TUBE	0	0
030	75540-66220	NIPPLE	1				0	0
040	75548-66250	GUARD HOSE	1				0	0
050	75548-66300	ASSY HOSE 5 HYDRAULI	1				0	0
060	75548-66310	HOSE 5 HYDRAULIC	1			L:22.9 3/8-18NPTF X 3/4-16 90 BENT TUBE	0	0
070	75540-66320	COUPLER	1				0	0
080	75540-66330	PLUG DUST	1				0	0
090	75548-66400	ASSY HOSE 6 HYDRAULI	1				0	0
100	75548-66410	HOSE 6 HYDRAULIC	1			L:45.6 3/8-18NPTF X 3/4-16 90 BENT TUBE	0	0
110	75540-66220	NIPPLE	1				0	0
120	75540-66430	CAP DUST	1				0	0
130	75548-66500	ASSY HOSE 7 HYDRAULI	1				0	0
140	75548-66510	HOSE 7 HYDRAULIC	1			L:46.5 3/8-18NPTF X 3/4-16 90 BENT TUBE	0	0
150	75540-66320	COUPLER	1				0	0
160	75540-66330	PLUG DUST	1				0	0
170	75540-66810	ADAPTER 2	1			3/8-19 BSPT X 3/8-18 NPTF	0	0
180	75582-66810	ADAPTER 1	1			3/8-19 BSPT X 3/4-16 JIC	0	0
190	75590-64160	ADAPTER PT	1			3/8-19 BSPT X 3/8-18 NPTF	0	0
200	75540-66320	COUPLER	1				0	0
210	75540-66220	NIPPLE	1				0	0
220	75540-66430	CAP DUST	1				0	0
230	75590-64650	BAND CORD	2				0	0
240	75580-68950	MARK ORANGE	2				0	0
250	75580-68960	MARK GRAY	2				0	0
260	75580-68970	MARK GREEN	2				0	0

FRONT GUARD [OPTION]





FRONT GUARD [OPTION]

↔ Interchangeable; ≠ not interchangeable; ← new for old; → old for new

REF.No	Part No.	Description	Q'ty	S.No.	I/C	REMARKS	Weight (kgf)	Weight (lb)
010	75548-99500	KIT GUARD FRONT	1				0	0
020	75548-57810	GUARD FRONT	1				0	0
030	75530-57830	COLLAR	2				0	0
040	75599-04625	HEX.BOLT(9/16-18UNF*	2				0	0
050	75599-33016	WASHER SPRING LOCK(9	2				0.08	0.176
060	75599-32016	WASHER PLAIN(9/16)	2				0.009	0.0198
070	75599-51730	PIN CLEVIS(5/8*1 1/2	2				0	0
080	75530-57850	PIN SPRING	2				0	0
090	75548-99520	MANUAL ASSEMBLY	1				0	0

IMAGE NOT AVAILABLE



ACCESSORIES AND SERVICE PARTS

↔ Interchangeable; ≠ not interchangeable; ← new for old; → old for new

REF.No	Part No.	Description	Q'ty	S.No.	I/C	REMARKS	Weight (kgf)	Weight (lb)
010	75548-69110	OPERATOR'S MANUAL	1				0	0
020	75548-99910	PARTS LIST	1				0	0
030	75548-99920	WORKSHOP MANUAL	1				0	0
040	75548-99930	FLAT-RATE SCHEDULE	1				0	0
050	75549-95500	KIT FRENCH	1			REF.No.060 TO 130	0	0
060	75546-99610	LABEL DANGER 1(F)	1			FRENCH	0	0
070	75546-99630	LABEL DANGER 3(F)	1			FRENCH	0	0
080	75546-99640	LABEL WARNING 1(F)	2			FRENCH	0	0
090	75546-99650	LABEL CAUTION 1(F)	1			FRENCH	0	0
100	75546-99670	LABEL CAUTION 3(F)	2			FRENCH	0	0
110	75553-99630	LABEL LEVELER(F)	1			FRENCH	0	0
120	75553-99640	LABEL CONTROL(F)	1			FRENCH	0	0
130	75580-95550	LABEL LUBRICATE	1			FRENCH	0	0