

# Instructions for Parts Books

The heading at the top of the page will be the same for the picture of the parts at it is for the page with the part numbers.

Definition of column headings on part number pages:

**REF.No** → The number referring to the part on the picture page of the parts book.

**Part No.** → The number assigned to this part at the time of printing the parts book.

**Description** → Discription of part.

**Q'ty** → Quantity of part used on that page.

**S.No.** → Serial number range of the equipment that this part will fit.

>= Your serial number should be greater than or equal to the number shown.

<= Your serial number should be lesser than or equal to the serial number shown.

**I/C** → Interchangeability of part shown.

↔ The part shown will work for the older and later serial number.

# The part shown is not interchangeable with the other serial number.

← new for old

→ old for new

**Remarks** → Notes about this particulart part. Sometimes this may say except [FR] or [CA]

## Note about Country Codes:

The parts books we use in the United States of America may also contain information about a part that would be different in another country. It is important that you are aware of the country codes in some instances.

Symbol	Country
A	United States of America
CA	Canada
FR	France
GR	Greece
PO	Portugal
AU	Australia

If the remarks column says for example EXCEPT [FR] this part works in all countries except France. That means it will work here in the USA.

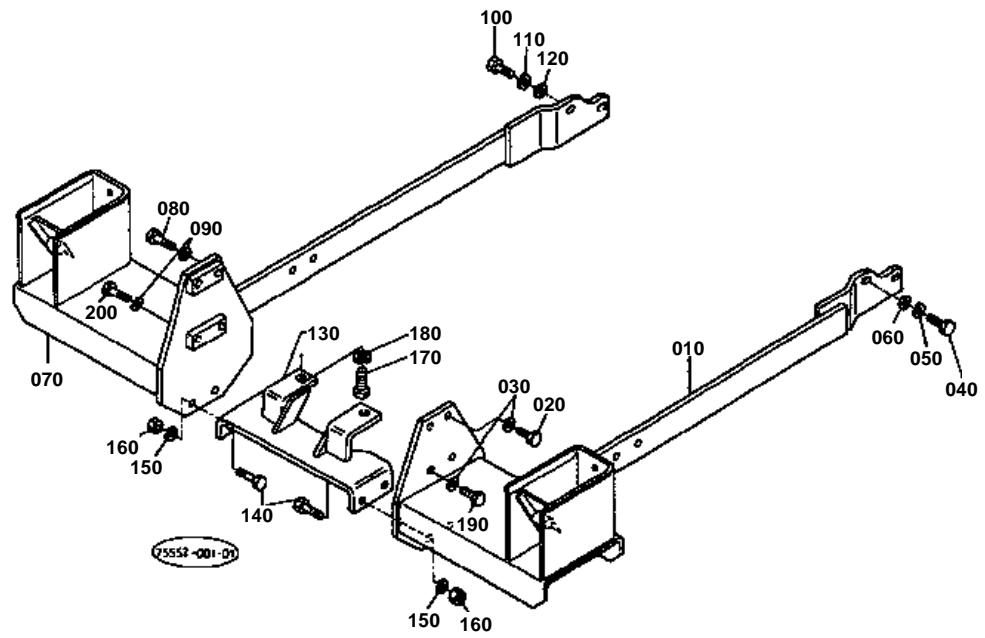


HYDRAULIC SYSTEM

FRAME/BOOM

ACCESSORIES

Item	Part No.	Description	Book
FRAME/BOOM	01I00102	MAIN FRAME [LA450-C][LA650(-C)]	100K0438
	01I002	SIDE FRAME	100K0438
	01I003	BOOM	100K0438
HYDRAULIC SYSTEM	01I004	CONTROL VALVE	100K0438
	01I005	CONTROL VALVE [COMPONENT PARTS]	100K0438
FRAME/BOOM	01I006	CYLINDER/HYDRAULIC HOSE	100K0438
	01I007	CYLINDER (BOOM) LH [COMPONENT PARTS]	100K0438
	01I008	CYLINDER (BOOM) RH [COMPONENT PARTS]	100K0438
	01I009	CYLINDER (BUCKET) LH [COMPONENT PARTS]	100K0438
	01I010	CYLINDER (BUCKET) RH [COMPONENT PARTS]	100K0438
HYDRAULIC SYSTEM	01I011	HYDRAULIC TUBE	100K0438
	01I012	HYDRAULIC TUBE [LA450(-C)/LA650(-C)]	100K0438
FRAME/BOOM	01I013	FRONT GUARD [OPTION]	100K0438
ACCESSORIES	01I014	ACCESSORIES AND SERVICE PARTS	100K0438

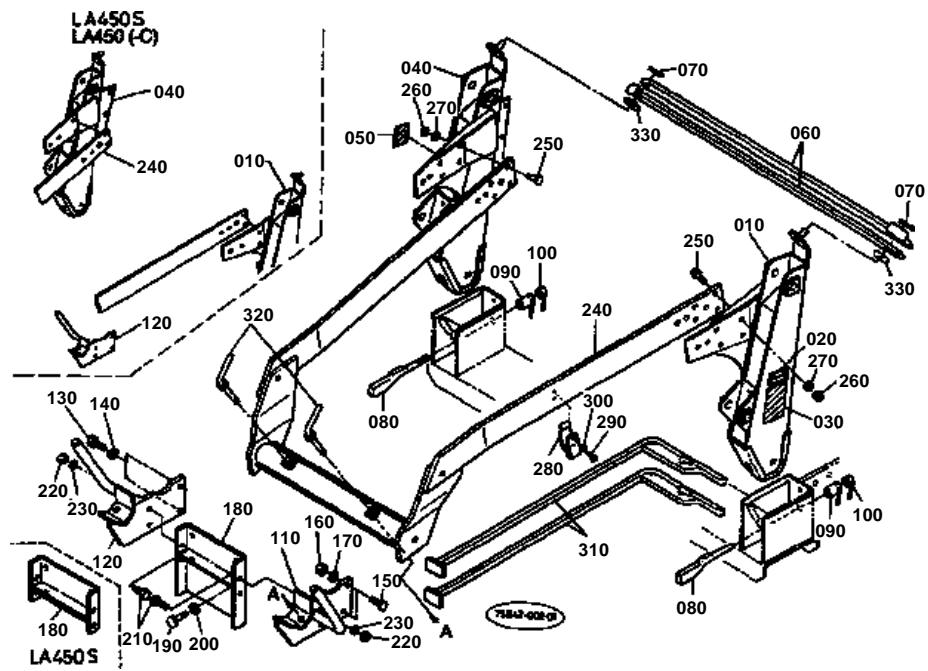


**MAIN FRAME [LA450-C][LA650(-C)]**

↔ Interchangeable; ≠ not interchangeable; ← new for old; → old for new

REF.No	Part No.	Description	Q'ty	S.No.	I/C	REMARKS	Weight (kgf)	Weight (lb)
010	75550-55010	FRAME MAIN LH	1				0	0
020	01073-51435	BOLT	4				0.063	0.1386
030	75599-33016	WASHER SPRING LOCK	4			(9/16)	0.08	0.176
040	01073-51230	BOLT	2				0.041	0.0902
050	04512-50120	WASHER SPRING	2				0	0
060	75599-32015	WASHER PLAIN	2			(1/2)	0	0
070	75550-55030	FRAME MAIN RH	1				0	0
080	01073-51450	BOLT	4				0.08	0.176
090	75599-33016	WASHER SPRING LOCK	4			(9/16)	0.08	0.176
100	01073-51230	BOLT	2				0.041	0.0902
110	04512-50120	WASHER SPRING	2				0	0
120	75599-32015	WASHER PLAIN	2			(1/2)	0	0
130	75551-55910	CONNECTOR	1				0	0
140	75599-04635	HEX.BOLT	4			(9/16-18UNF*1 3/4)	0	0
150	75599-33016	WASHER SPRING LOCK	4			(9/16)	0.08	0.176
160	75599-31066	HEX.NUT	4			(9/16-18UNF)	0	0
170	01073-51230	BOLT	2				0.041	0.0902
180	04512-50120	WASHER SPRING	2				0	0

# SIDE FRAME



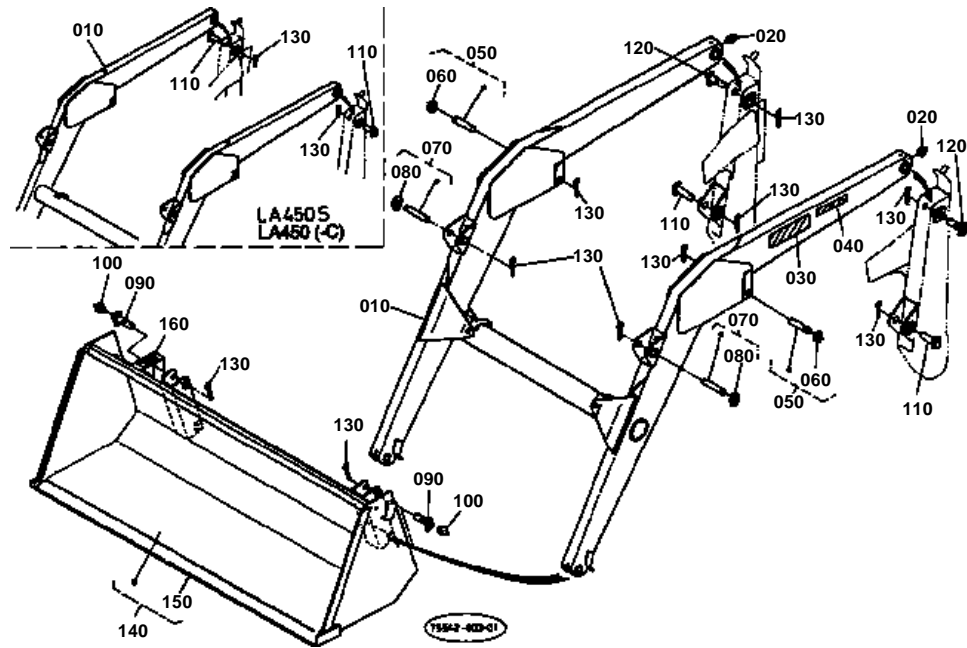


## SIDE FRAME

↔ Interchangeable; ≠ not interchangeable; ← new for old; → old for new

REF.No	Part No.	Description	Q'ty	S.No.	I/C	REMARKS	Weight (kgf)	Weight (lb)
010	75551-56010	FRAME SIDE LH	1				0	0
020	75552-56350	LABEL MODEL	1				0	0
030	75540-56360	LABEL CAUTION	1				0	0
040	75551-56030	FRAME SIDE RH	1				0	0
050	75540-56650	LABEL WARNING	1				0	0
060	75550-56710	CONNECTOR SIDE FRAME	2				0	0
070	75540-56720	PIN SPRING	2				0	0
080	75540-56810	BOLT WEDGE	2				0	0
090	75540-56820	NUT 1 LOCK	2				0	0
100	75540-56830	NUT 2 LOCK	2				0	0
110	75550-57100	SUPPORT BRACE LH	1				0	0
120	75550-57200	SUPPORT BRACE RH	1				0	0
130	01073-51440	BOLT	2				0.069	0.1518
140	75599-33016	WASHER SPRING LOCK	2			(9/16)	0.08	0.176
150	75599-04635	HEX.BOLT	2			(9/16-18UNF*1 3/4)	0	0
160	75599-31066	HEX.NUT	2			(9/16-18UNF)	0	0
170	75599-33016	WASHER SPRING LOCK	2			(9/16)	0.08	0.176
180	75540-57310	CONNECTOR FRONT	1				0	0
190	01073-51440	BOLT	4				0.069	0.1518
200	75599-33016	WASHER SPRING LOCK	4			(9/16)	0.08	0.176
210	75599-04635	HEX.BOLT	4			(9/16-18UNF*1 3/4)	0	0
220	75599-31066	HEX.NUT	4			(9/16-18UNF)	0	0
230	75599-33016	WASHER SPRING LOCK	4			(9/16)	0.08	0.176
240	75550-57400	BRACE	1				0	0
250	75599-04630	HEX.BOLT	12			(9/16-18UNF*1 1/2)	0	0
260	75599-31066	HEX.NUT	12			(9/16-18UNF)	0	0
270	75599-33016	WASHER SPRING LOCK	12			(9/16)	0.08	0.176
280	75540-57530	PLATE SPRING	1				0	0
290	75599-01210	HEX.BOLT	2			(5/16-18UNC*1/2)	0.01	0.022
300	75599-33012	WASHER SPRING LOCK	2			(5/16)	0	0
310	75550-57550	STAND	2				0	0
320	75550-57610	BOLT MOUNTING	2				0	0
330	75550-56680	CUSHION 2 RUBBER	2				0	0

BOOM



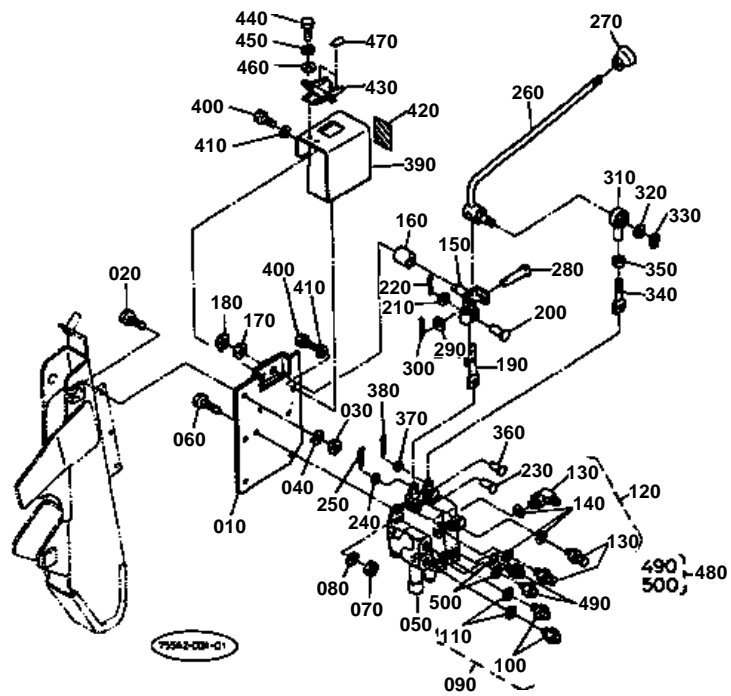


**BOOM**

↔ Interchangeable; ≠ not interchangeable; ← new for old; → old for new

REF.No	Part No.	Description	Q'ty	S.No.	I/C	REMARKS	Weight (kgf)	Weight (lb)
010	75552-58010	BOOM	1				0	0
020	75599-81521	FITTING GREASE	2			(1/4-28T.T.)	0	0
030	75540-58450	LABEL KUBOTA	2				0	0
040	75552-58460	LABEL LA650	2				0	0
050	75540-58500	ASSY PIN 1	2				0	0
060	75599-41531	CIR-CLIP EXTERNAL(1)	2				0	0
070	75540-58600	ASSY PIN 2	2				0	0
080	75599-41531	CIR-CLIP EXTERNAL(1)	2				0	0
090	75540-58710	PIN 3	4				0	0
100	75599-81521	FITTING GREASE	4			(1/4-28T.T.)	0	0
110	75540-58740	PIN 4	4				0	0
120	75550-58770	PIN 5	2				0	0
130	75599-53216	PIN COTTER	12			(3/16*1 3/4)	0	0
140	75551-59010	BUCKET 60	1				0	0
150	75550-59320	EDGE CUTTING	1				0	0
160	75540-59450	LABEL LEVELER	1				0	0

# CONTROL VALVE



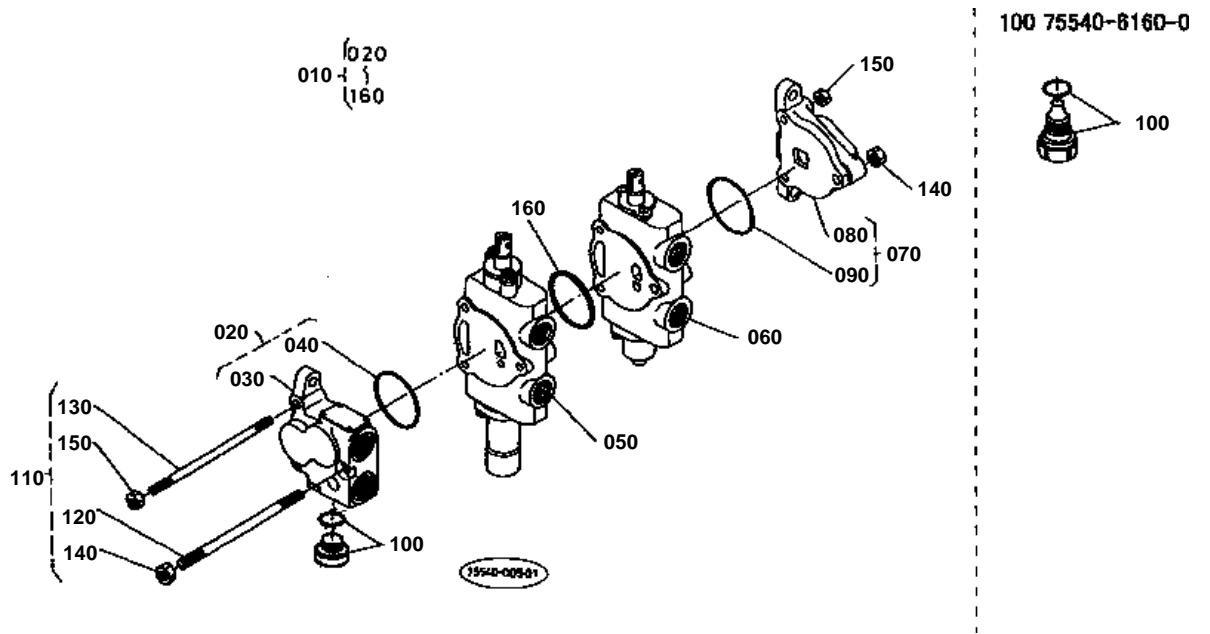


## CONTROL VALVE

↔ Interchangeable; ≠ not interchangeable; ← new for old; → old for new

REF.No	Part No.	Description	Q'ty	S.No.	I/C	REMARKS	Weight (kgf)	Weight (lb)
010	75540-61110	STAY VALVE	1				0	0
020	75599-03525	HEX.BOLT	3			(1/2-13UNC*1 1/4)	0	0
030	75599-31015	HEX.NUT	3			(1/2-13UNC)	0	0
040	75599-33015	WASHER SPRING LOCK	3			(1/2)	0	0
050	75540-61010	VALVE CONTROL	1			REFER TO L.No.0B06-L0 FOR COMPONENTS	0	0
060	75599-03325	HEX.BOLT	3			(3/8-16UNC*1 1/4)	0	0
070	75599-31013	HEX.NUT	3			(3/8-16UNC)	0	0
080	75599-33013	WASHER SPRING LOCK	3			(3/8)	0	0
090	75540-61800	ASSY ADAPTER 1	2				0	0
100	75540-61810	ADAPTER 1	2				0	0
110	75540-61820	O-RING	2				0	0
120	75540-61900	ASSY ELBOW ADJUST.	3				0	0
130	75540-61910	ELBOW ADJUSTABLE	3				0	0
140	75540-61820	O-RING	3				0	0
150	75540-62110	LEVER	1				0	0
160	75540-62140	BUSHING	1				0	0
170	75599-32017	WASHER PLAIN	1			(5/8)	0	0
180	75599-41522	CIR-CLIP EXTERNAL	1			(5/8)	0	0
190	75540-62160	ROD 1	1				0	0
200	75599-51220	PIN CLEVIS	1			(5/16*1)	0	0
210	75599-32012	WASHER PLAIN	1			(5/16)	0.002	0.0044
220	75599-53152	PIN COTTER	1			(3/32*3/4)	0	0
230	75540-62190	PIN	1				0	0
240	75599-32009	WASHER PLAIN	1			(13/64)	0	0
250	75599-53111	PIN COTTER	1			(1/32*1/2)	0	0
260	75540-62210	LEVER CONTROL	1				0	0
270	75540-62240	GRIP LEVER	1				0	0
280	75599-51540	PIN CLEVIS	1			(1/2*2)	0	0
290	75599-32015	WASHER PLAIN	1			(1/2)	0	0
300	75599-53173	PIN COTTER	1			(1/8*1)	0.002	0.0044
310	75540-62260	JOINT ROD END	1				0	0
320	75540-62270	COLLAR	1				0	0
330	75599-41515	CIR-CLIP EXTERNAL	1			(3/8)	0	0
340	75540-62280	ROD 2	1				0	0
350	75599-31043	HEX.JAM NUT	1			(3/8-24UNF)	0	0
360	75540-62190	PIN	1				0	0
370	75599-32009	WASHER PLAIN	1			(13/64)	0	0
380	75599-53111	PIN COTTER	1			(1/32*1/2)	0	0
390	75540-62310	COVER	1				0	0
400	75599-01215	HEX.BOLT	3			(5/16-18UNC*3/4)	0	0
410	75599-33012	WASHER SPRING LOCK	3			(5/16)	0	0
420	75540-62360	LABEL CONTROL	1				0	0
430	75540-62400	ASSY LIMITER	1				0	0
440	75599-01212	HEX.BOLT	2			(5/16-18UNC*5/8)	0	0
450	75599-33012	WASHER SPRING LOCK	2			(5/16)	0	0
460	75599-32012	WASHER PLAIN	2			(5/16)	0.002	0.0044
470	75540-62450	CUSHION 1 RUBBER	2				0	0
480	75580-61800	ASSY ADAPTER 1	2				0	0
490	75580-61810	ADAPTER 1	2				0	0
500	75540-61820	O-RING	2				0	0

CONTROL VALVE [COMPONENT PARTS]

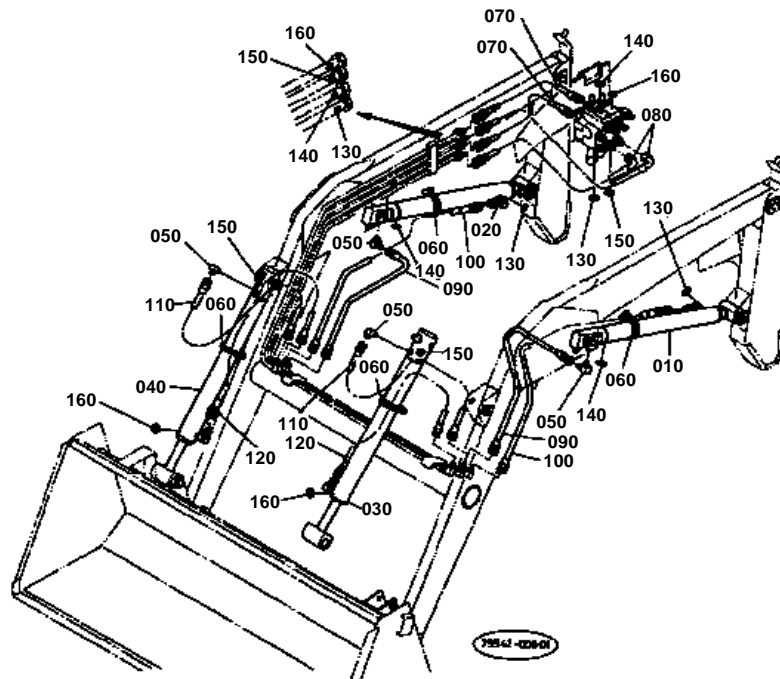




# CONTROL VALVE [COMPONENT PARTS]

↔ Interchangeable; ≠ not interchangeable; ← new for old; → old for new

REF.No	Part No.	Description	Q'ty	S.No.	I/C	REMARKS	Weight (kgf)	Weight (lb)
010	75540-61010	VALVE CONTROL	1	≤10619			0	0
010	75540-61012	VALVE CONTROL	1	≥10620	←		0	0
020	75540-61200	ASSY INLET SECTION	1	≤10619			0	0
020	75540-61202	ASSY INLET SECTION	1	≥10620	≠		0	0
030	75540-61210	HOUSING INLET	1	≤10619			0	0
030	75540-61212	HOUSING INLET	1	≥10620	≠		0	0
040	75540-61250	O-RING	1				0	0
050	75540-61300	ASSY SPOOL SECTION 1	1				0	0
060	75540-61400	ASSY SPOOL SECTION 2	1				0	0
070	75540-61500	ASSY OUTLET SECTION	1				0	0
080	75540-61510	HOUSING OUTLET	1				0	0
090	75540-61250	O-RING	1				0	0
100	75540-61600	ASSY SHUT-OFF PLUG	1	≤10619			0	0
100	75540-61602	ASSY PLUG	1	≥10620	≠		0	0
110	75540-61700	KIT TIE ROD	1				0	0
120	75540-61710	TIE ROD	1				0	0
130	75540-61720	TIE ROD	2				0	0
140	75540-61730	NUT-SPECIAL	2				0	0
150	75540-61740	NUT-SPECIAL	4				0	0
160	75540-61250	O-RING	1				0	0
170	75540-99700	KIT SEAL SPOOL SEC.1	1			NOT SHOWN IN FIG.	0	0
180	75540-99800	KIT SEAL SPOOL SEC.2	1			NOT SHOWN IN FIG.	0	0



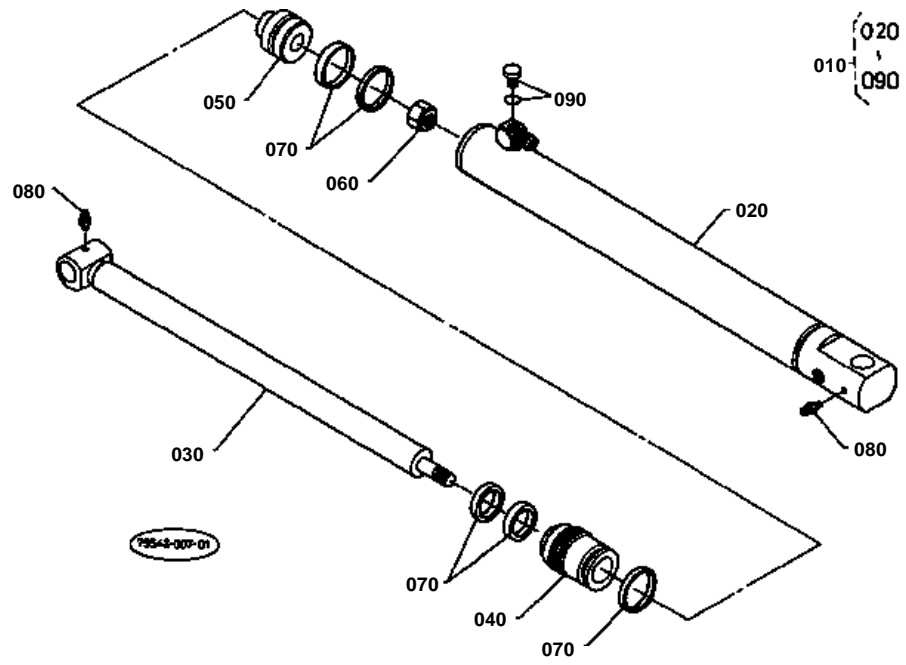


# CYLINDER/HYDRAULIC HOSE

↔ Interchangeable; ≠ not interchangeable; ← new for old; → old for new

REF.No	Part No.	Description	Q'ty	S.No.	I/C	REMARKS	Weight (kgf)	Weight (lb)
010	75550-63010	CYLINDER 1 LH	1			REFER TO L.No.0B07-L0 FOR COMPONENTS REFER TO L.No.0B07-R0 FOR COMPONENTS REFER TO L.No.0B08-L0 FOR COMPONENTS REFER TO L.No.0B08-R0 FOR COMPONENTS	0	0
020	75550-63030	CYLINDER 1 RH	1				0	0
030	75550-64010	CYLINDER 2 LH	1				0	0
040	75550-64030	CYLINDER 2 RH	1				0	0
050	75540-64910	ELBOW 1	4			0	0	
060	75540-64940	CLAMP HOSE	4			0	0	
070	75542-66110	HOSE 1 HYDRAULIC	2			0	0	
080	75542-66120	HOSE 2 HYDRAULIC	2			0	0	
090	75542-66610	HOSE 8 HYDRAULIC	2			0	0	
100	75542-66620	HOSE 9 HYDRAULIC	2			0	0	
110	75542-66630	HOSE 10 HYDRAULIC	2			0	0	
120	75542-66640	HOSE 11 HYDRAULIC	2			0	0	
130	75540-64950	MARK WHITE	4			0	0	
140	75540-64960	MARK YELLOW	4			0	0	
150	75540-64970	MARK BLUE	4			0	0	
160	75540-64980	MARK RED	4			0	0	

CYLINDER (BOOM) LH [COMPONENT PARTS]





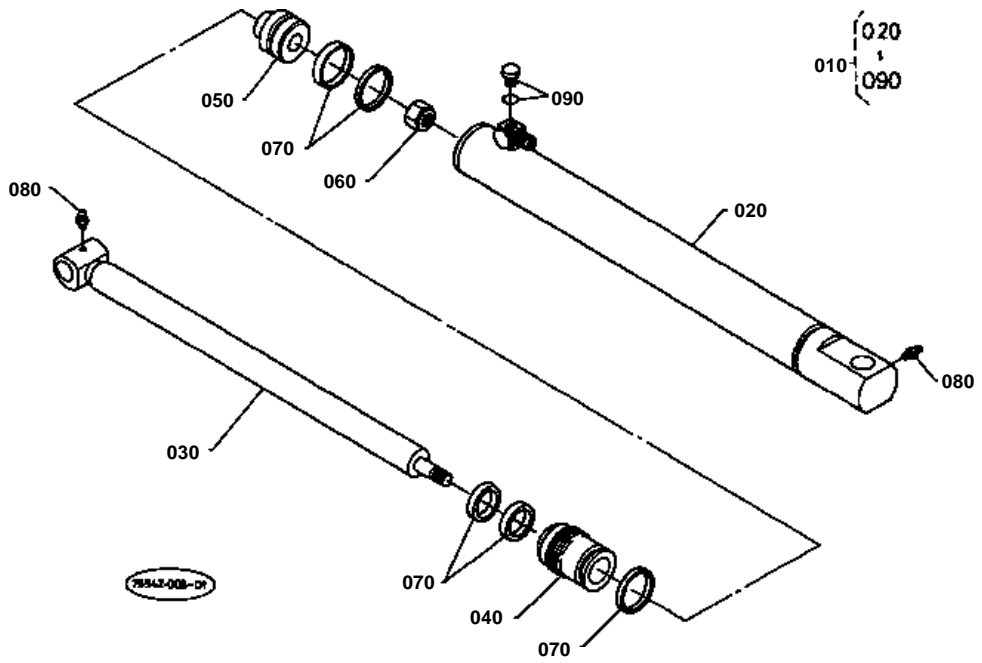


# CYLINDER (BOOM) LH [COMPONENT PARTS]

↔ Interchangeable; ≠ not interchangeable; ← new for old; → old for new

REF.No	Part No.	Description	Q'ty	S.No.	I/C	REMARKS	Weight (kgf)	Weight (lb)
010	75550-63010	CYLINDER 1 LH	1				0	0
020	75550-63100	TUBE 1 COMP LH	1				0	0
030	75550-63200	ROD 1 COMP	1				0	0
040	75550-63310	HEAD 1	1				0	0
050	75550-63350	PISTON	1				0	0
060	75550-63360	NUT	1				0	0
070	75550-63400	KIT 1 SEAL	1				0	0
080	75540-63480	FITTING GREASE	2				0	0
090	75540-63490	PLUG	1				0	0

CYLINDER (BOOM) RH [COMPONENT PARTS]



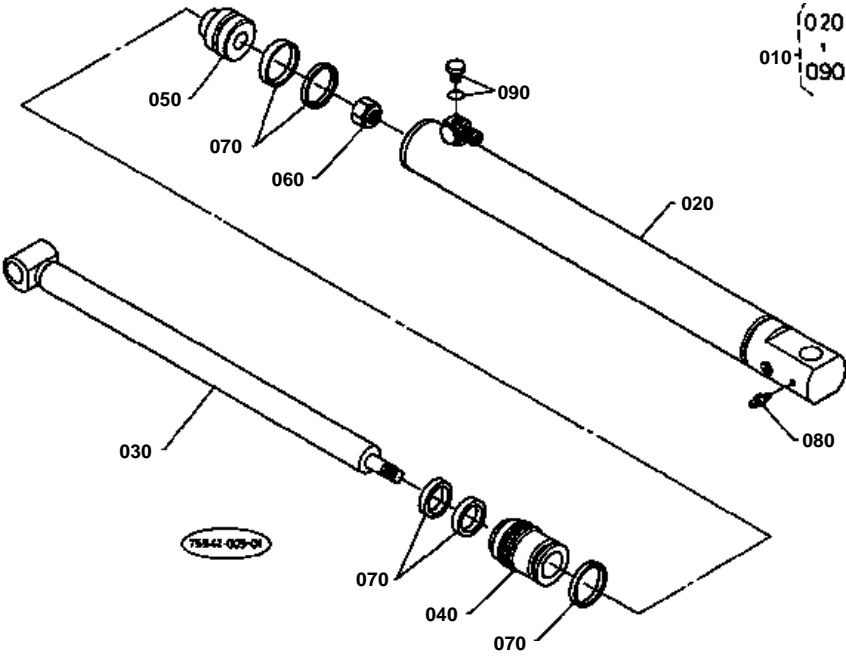


# CYLINDER (BOOM) RH [COMPONENT PARTS]

↔ Interchangeable; ≠ not interchangeable; ← new for old; → old for new

REF.No	Part No.	Description	Q'ty	S.No.	I/C	REMARKS	Weight (kgf)	Weight (lb)
010	75550-63030	CYLINDER 1 RH	1				0	0
020	75550-63500	TUBE 1 COMP RH	1				0	0
030	75550-63200	ROD 1 COMP	1				0	0
040	75550-63310	HEAD 1	1				0	0
050	75550-63350	PISTON	1				0	0
060	75550-63360	NUT	1				0	0
070	75550-63400	KIT 1 SEAL	1				0	0
080	75540-63480	FITTING GREASE	2				0	0
090	75540-63490	PLUG	1				0	0

CYLINDER (BUCKET) LH [COMPONENT PARTS]



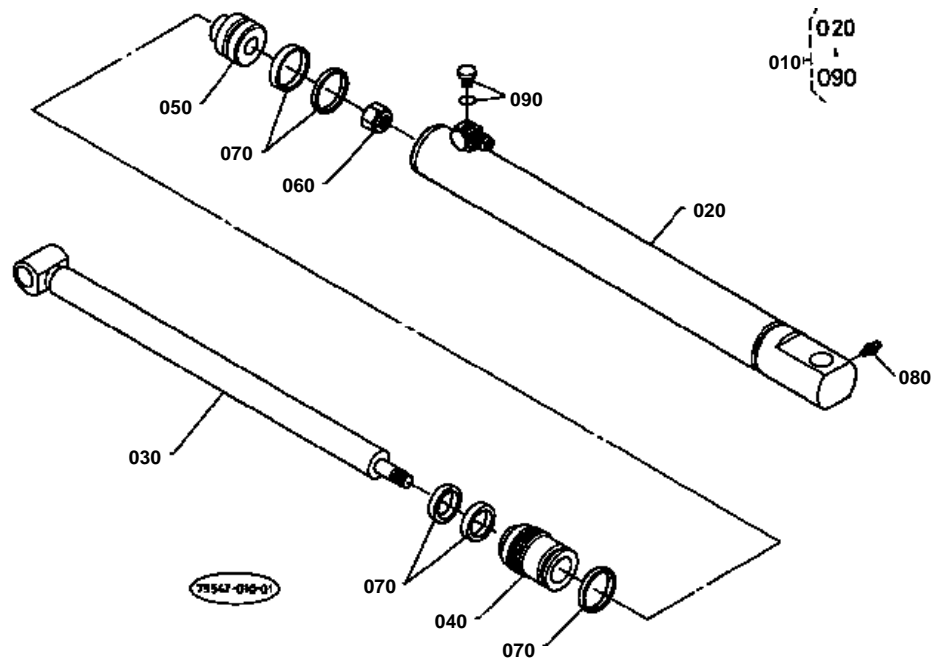


# CYLINDER (BUCKET) LH [COMPONENT PARTS]

↔ Interchangeable; ≠ not interchangeable; ← new for old; → old for new

REF.No	Part No.	Description	Q'ty	S.No.	I/C	REMARKS	Weight (kgf)	Weight (lb)
010	75550-64010	CYLINDER 2 LH	1				0	0
020	75550-64100	TUBE 2 COMP LH	1				0	0
030	75550-64200	ROD 2 COMP	1				0	0
040	75550-63310	HEAD 1	1				0	0
050	75550-63350	PISTON	1				0	0
060	75550-63360	NUT	1				0	0
070	75550-63400	KIT 1 SEAL	1				0	0
080	75540-63480	FITTING GREASE	1				0	0
090	75540-63490	PLUG	1				0	0

CYLINDER (BUCKET) RH [COMPONENT PARTS]

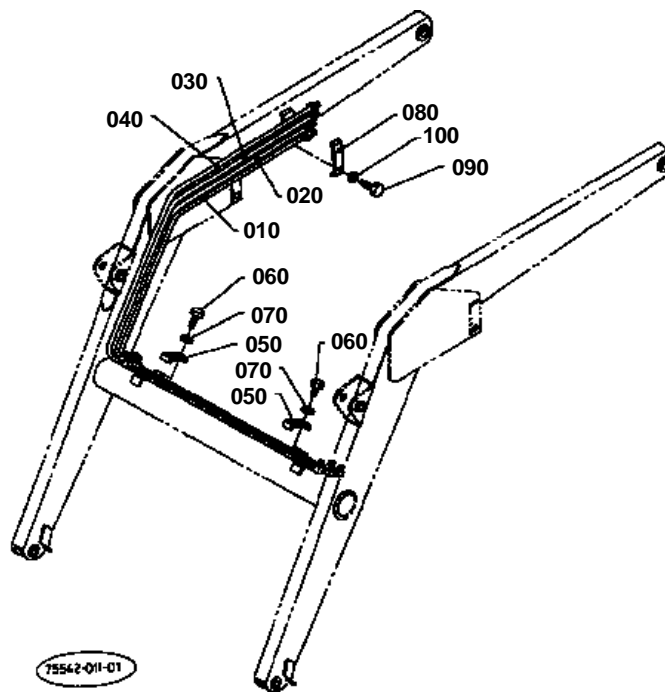




# CYLINDER (BUCKET) RH [COMPONENT PARTS]

↔ Interchangeable; ≠ not interchangeable; ← new for old; → old for new

REF.No	Part No.	Description	Q'ty	S.No.	I/C	REMARKS	Weight (kgf)	Weight (lb)
010	75550-64030	CYLINDER 2 RH	1				0	0
020	75550-64500	TUBE 2 COMP RH	1				0	0
030	75550-64200	ROD 2 COMP	1				0	0
040	75550-63310	HEAD 1	1				0	0
050	75550-63350	PISTON	1				0	0
060	75550-63360	NUT	1				0	0
070	75550-63400	KIT 1 SEAL	1				0	0
080	75540-63480	FITTING GREASE	1				0	0
090	75540-63490	PLUG	1				0	0



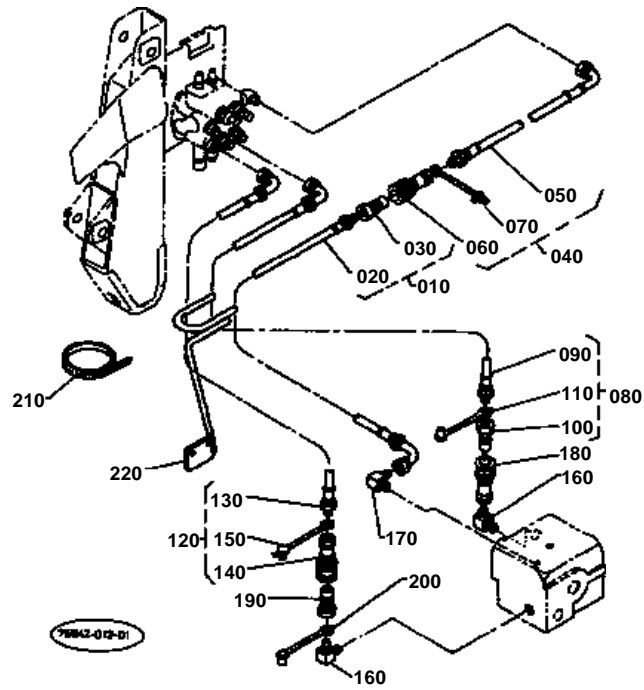




# HYDRAULIC TUBE

↔ Interchangeable; ≠ not interchangeable; ← new for old; → old for new

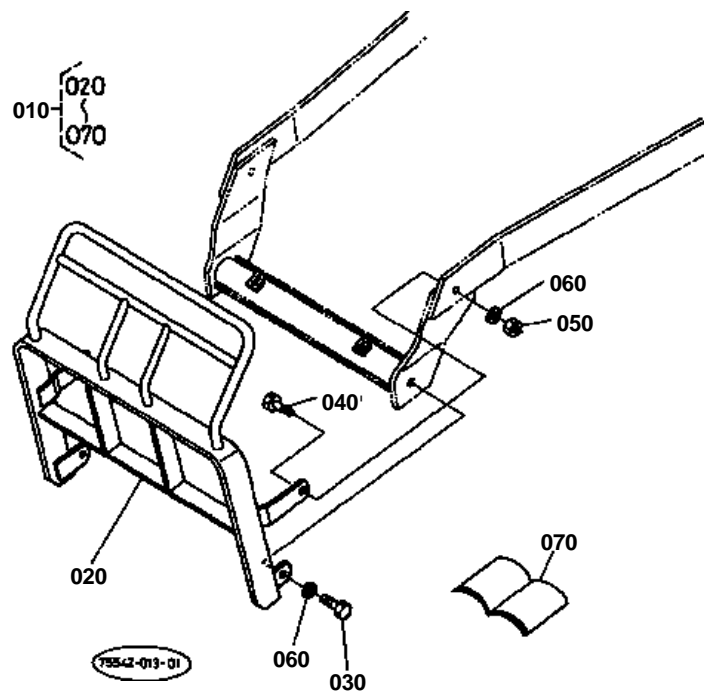
REF.No	Part No.	Description	Q'ty	S.No.	I/C	REMARKS	Weight (kgf)	Weight (lb)
010	75550-65110	TUBE 1 HYDRAULIC	1				0	0
020	75550-65210	TUBE 2 HYDRAULIC	1				0	0
030	75550-65310	TUBE 3 HYDRAULIC	1				0	0
040	75550-65410	TUBE 4 HYDRAULIC	1				0	0
050	75540-65510	CLAMP 1	2				0	0
060	75599-01220	HEX.BOLT	4			(5/16-18UNC*1)	0	0
070	75599-33012	WASEER SPRING LOCK	4			(5/16)	0	0
080	75540-65530	CLAMP 2	1				0	0
090	75599-01215	HEX.BOLT	2			(5/16-18UNC*3/4)	0	0
100	75599-33012	WASHER SPRING LOCK	2			(5/16)	0	0



**HYDRAULIC TUBE [LA450(-C)/LA650(-C)]**

↔ Interchangeable; ≠ not interchangeable; ← new for old; → old for new

REF.No	Part No.	Description	Q'ty	S.No.	I/C	REMARKS	Weight (kgf)	Weight (lb)
010	75542-66200	ASSY HOSE 4 HYD.	1				0	0
020	75542-66210	HOSE 4 HYDRAULIC	1				0	0
030	75540-66220	NIPPLE	1				0	0
040	75542-66300	ASSY HOSE 5 HYD.	1				0	0
050	75542-66310	HOSE 5 HYDRAULIC	1				0	0
060	75540-66320	COUPLER	1				0	0
070	75540-66330	PLUG DUST	1				0	0
080	75542-66400	ASSY HOSE 6 HYD.	1				0	0
090	75542-66410	HOSE 6 HYDRAULIC	1				0	0
100	75540-66220	NIPPLE	1				0	0
110	75540-66430	CAP DUST	1				0	0
120	75540-66500	ASSY HOSE 7 HYD.	1				0	0
130	75540-66510	HOSE 7 HYDRAULIC	1				0	0
140	75540-66320	COUPLER	1				0	0
150	75540-66330	PLUG DUST	1				0	0
160	75540-66810	ADAPTER 2	2				0	0
170	75540-66820	ELBOW 2	1				0	0
180	75540-66320	COUPLER	1				0	0
190	75540-66220	NIPPLE	1				0	0
200	75540-66430	CAP DUST	1				0	0
210	75540-66910	BAND HOSE	2				0	0
220	75540-66950	SUPPORT HOSE	1				0	0





# FRONT GUARD [OPTION]

↔ Interchangeable; ≠ not interchangeable; ← new for old; → old for new

REF.No	Part No.	Description	Q'ty	S.No.	I/C	REMARKS	Weight (kgf)	Weight (lb)
010	75540-99500	KIT GUARD FRONT	1				0	0
020	75540-57810	GUARD FRONT	1				0	0
030	75599-04625	HEX.BOLT	2			(9/16-18UNF*1 1/4)	0	0
040	75599-04640	HEX.BOLT	2			(9/16-18UNF*2)	0	0
050	75599-31066	HEX.NUT	2			(9/16-18UNF)	0	0
060	75599-33016	WASHER SPRING LOCK	4			(9/16)	0.08	0.176
070	75540-99520	MANUAL ASSEMBLY	1				0	0

**IMAGE NOT AVAILABLE**



# ACCESSORIES AND SERVICE PARTS

↔ Interchangeable; ≠ not interchangeable; ← new for old; → old for new

REF.No	Part No.	Description	Q'ty	S.No.	I/C	REMARKS	Weight (kgf)	Weight (lb)
010	75542-69110	OPERATOR'S MANUAL	1				0	0
020	75540-99600	KIT LABEL FRENCH	1			ORDER BY REF.No.030 TO 060	0	0
030	75540-99610	LABEL CAUTION	1			FRENCH	0	0
040	75540-99620	LABEL WARNING	1			FRENCH	0	0
050	75540-99630	LABEL LEVELER	1			FRENCH	0	0
060	75540-99640	LABEL CONTROL	1			FRENCH	0	0
070	75542-99920	WORKSHOP MANUAL	1				0	0
080	75542-99930	FLAT-RATE SCHEDULE	1				0	0