

Instructions for Parts Books

The heading at the top of the page will be the same for the picture of the parts as it is for the page with the part numbers.

Definition of column headings on part number pages:

REF.No → The number referring to the part on the picture page of the parts book.

Part No. → The number assigned to this part at the time of printing the parts book.

Description → Description of part.

Q'ty → Quantity of part used on that page.

S.No. → Serial number range of the equipment that this part will fit.

>= Your serial number should be greater than or equal to the number shown.

<= Your serial number should be lesser than or equal to the serial number shown.

I/C → Interchangeability of part shown.

↔ The part shown will work for the older and later serial number.

The part shown is not interchangeable with the other serial number.

← new for old

→ old for new

Remarks → Notes about this particular part. Sometimes this may say except [FR] or [CA]

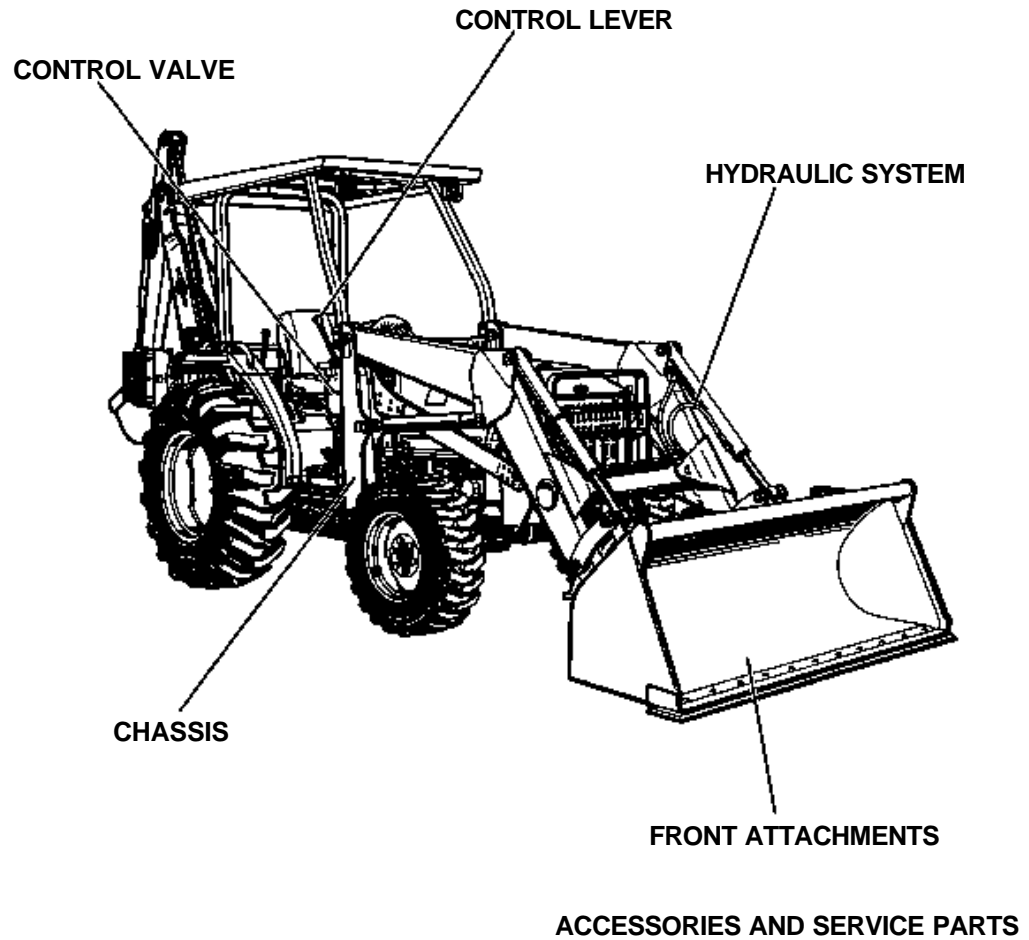
Note about Country Codes:

The parts books we use in the United States of America may also contain information about a part that would be different in another country. It is important that you are aware of the country codes in some instances.

| Symbol | Country |
|--------|--------------------------|
| A | United States of America |
| CA | Canada |
| FR | France |
| GR | Greece |
| PO | Portugal |
| AU | Australia |

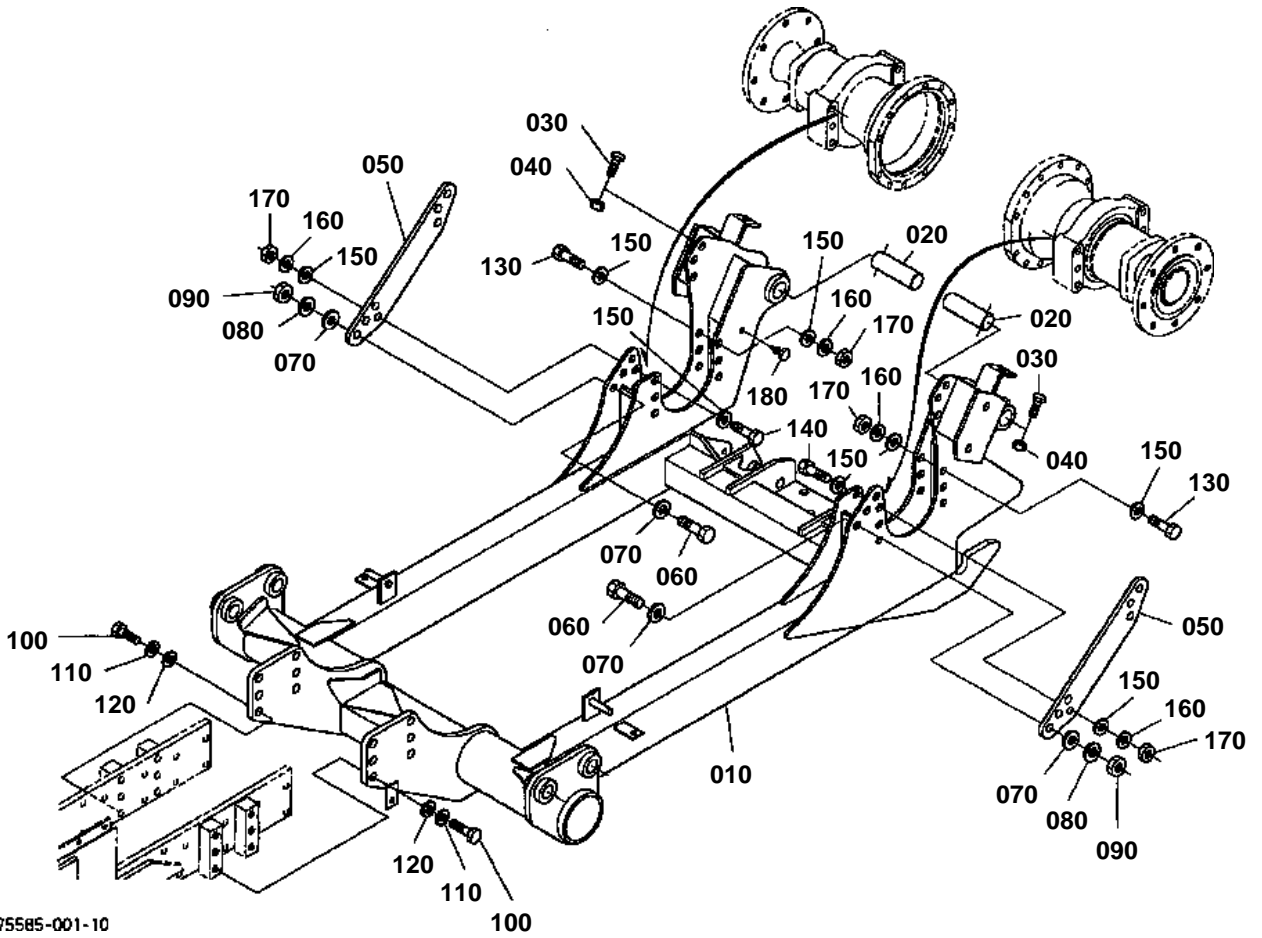
If the remarks column says for example EXCEPT [FR] this part works in all countries except France. That means it will work here in the USA.

ALL PRODUCT INDEX
TL1150LC



| Item | Part No. | Description | Book |
|--------------------------------------|----------|-------------------------------------|----------|
| CHASSIS | 01A001 | MAIN FRAME | 100A0233 |
| | 01A00501 | SIDE FRAME | 100A0233 |
| | 01A007 | FRONT GUARD | 100A0233 |
| FRONT ATTACHMENTS | 01A01002 | BOOM | 100A0233 |
| | 01A025 | BUCKET | 100A0233 |
| CONTROL VALVE | 01B00102 | CONTROL VALVE | 100A0233 |
| | 01B00501 | CONTROL VALVE [COMPONENT PARTS] | 100A0233 |
| | 01B00502 | CONTROL VALVE [COMPONENT PARTS] | 100A0233 |
| CONTROL LEVER | 01B01301 | CONTROL LEVER | 100A0233 |
| | 01B01303 | CONTROL LEVER | 100A0233 |
| HYDRAULIC SYSTEM | 01B015 | CYLINDER/HYDRAULIC HOSE | 100A0233 |
| | 01B01602 | HYDRAULIC HOSE(HYD.OUTLET BLOCK) | 100A0233 |
| | 01B020 | HYDRAULIC TUBE | 100A0233 |
| | 01B025 | CYLINDER (BOOM) [COMPONENT PARTS] | 100A0233 |
| | 01B030 | CYLINDER (BUCKET) [COMPONENT PARTS] | 100A0233 |
| ACCESSORIES AND SERVICE PARTS | 01D001 | ACCESSORIES AND SERVICE PARTS | 100A0233 |
| | 01D00101 | ACCESSORIES AND SERVICE PARTS | 100A0233 |

MAIN FRAME

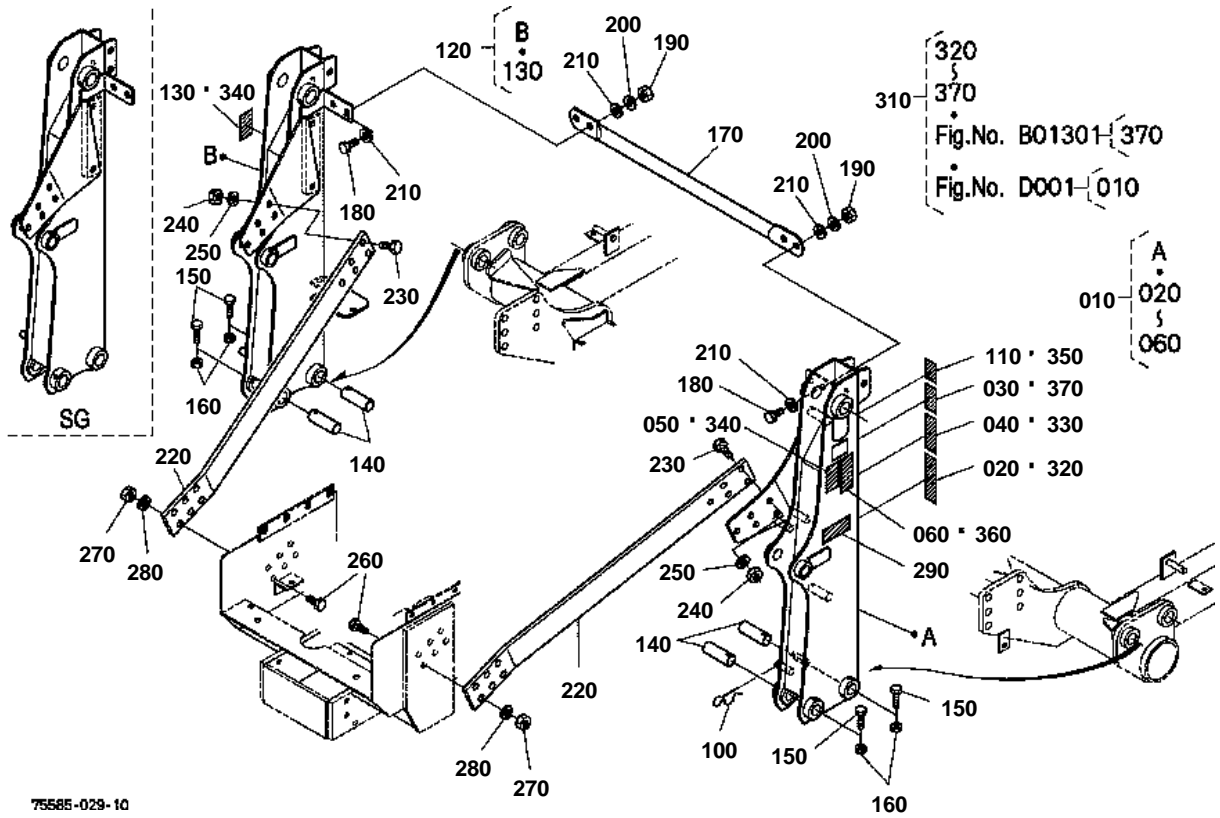


**MAIN FRAME**

↔ Interchangeable; ≠ not interchangeable; ← new for old; → old for new

| REF.No | Part No. | Description | Q'ty | S.No. | I/C | REMARKS | Weight (kgf) | Weight (lb) |
|--------|-------------|--------------------|------|-------|-----|------------------|--------------|-------------|
| 010 | 32771-29110 | FRAME MAIN | 1 | | | | 0 | 0 |
| 020 | 32771-29140 | PIN MAIN FRAME | 2 | | | | 1.05 | 2.31 |
| 030 | 75599-01165 | HEX.BOLT | 2 | | | 1/4-20UNC*3-1/4 | 0.022 | 0.0484 |
| 040 | 75599-31911 | NUT LOCKING | 2 | | | 1/4-20UNC | 0.004 | 0.0088 |
| 050 | 32771-29170 | PLATE CONNECTING | 2 | | | | 0 | 0 |
| 060 | 75599-04735 | HEX.BOLT | 12 | | | 5/8-18UNF*1-3/4 | 0.09 | 0.198 |
| 070 | 75599-32517 | WASHER PLAIN | 24 | | | 5/8HD | 0.016 | 0.0352 |
| 080 | 75599-33017 | WASHER SPRING LOCK | 12 | | | 5/8 | 0.005 | 0.011 |
| 090 | 75599-31067 | HEX.NUT | 12 | | | 5/8-18UNF | 0.032 | 0.0704 |
| 100 | 01073-51650 | BOLT | 12 | | | M16-P1.5 | 0.105 | 0.231 |
| 110 | 75599-32517 | WASHER PLAIN | 12 | | | 5/8HD | 0.016 | 0.0352 |
| 120 | 75599-33017 | WASHER SPRING LOCK | 12 | | | 5/8 | 0.005 | 0.011 |
| 130 | 75599-04680 | HEX.BOLT | 10 | | | 9/16-18UNF*4 | 0.143 | 0.3146 |
| 140 | 75599-04690 | HEX.BOLT | 2 | | | 9/16-18UNF*4-1/2 | 0.16 | 0.352 |
| 150 | 75599-32516 | WASHER PLAIN | 24 | | | 9/16HD | 0.011 | 0.0242 |
| 160 | 75599-33016 | WASHER SPRING | 12 | | | 9/16 | 0.08 | 0.176 |
| 170 | 75599-31066 | HEX.NUT | 12 | | | 9/16-18UNF | 0.03 | 0.066 |
| 180 | 75595-61270 | CLIP BUTTON | 1 | | | | 0.001 | 0.0022 |

SIDE FRAME



75585-029-10

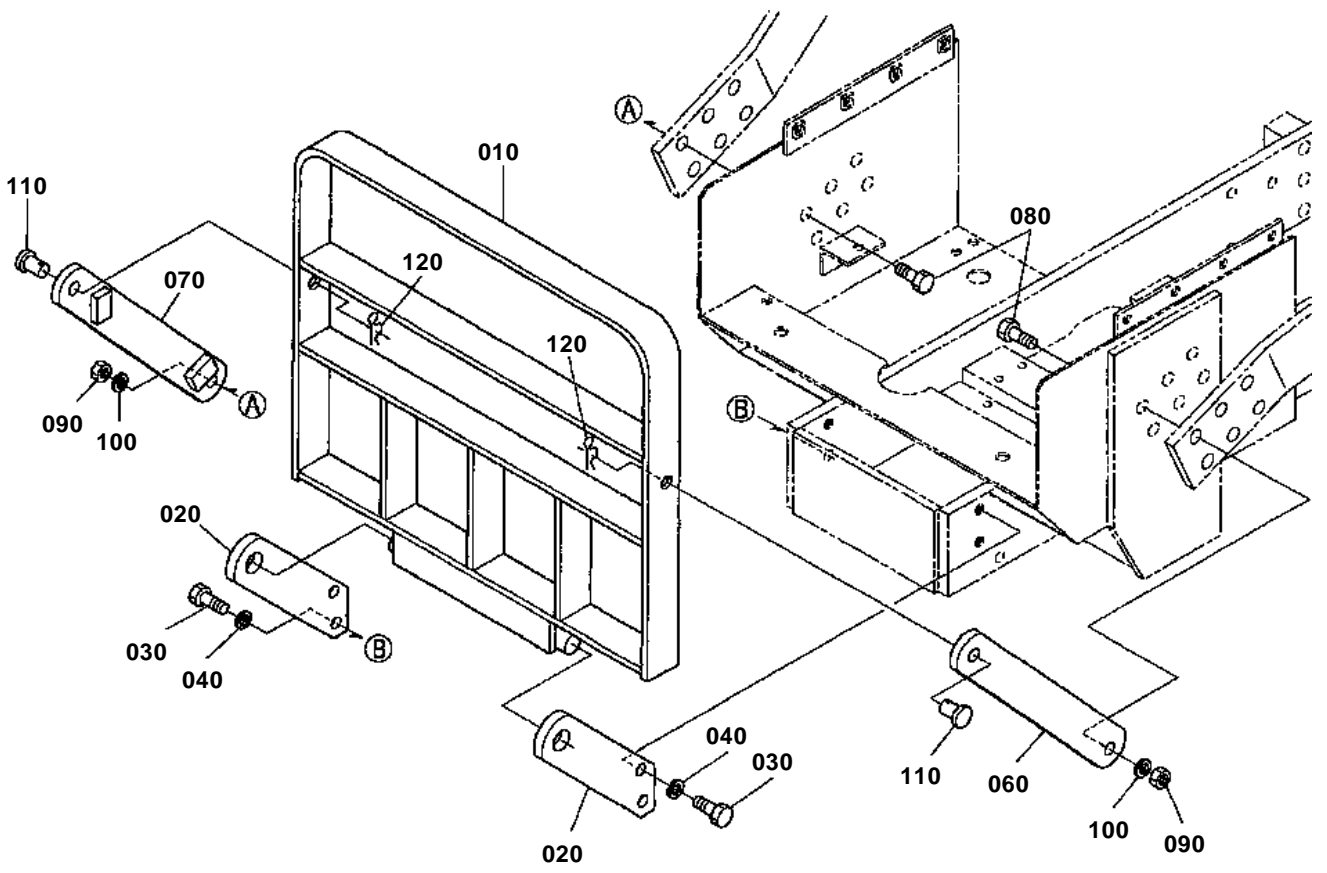


SIDE FRAME

↔ Interchangeable; ≠ not interchangeable; ← new for old; → old for new

| REF.No | Part No. | Description | Q'ty | S.No. | I/C | REMARKS | Weight (kgf) | Weight (lb) |
|--------|-------------|----------------------|------|-------|-----|------------------|--------------|-------------|
| 010 | 75585-90130 | FRAME SIDE LH(LABEL) | 1 | | | ENGLISH | 0 | 0 |
| 020 | 7J246-56410 | LABEL DANGER 1 | 1 | | | ENGLISH | 0.002 | 0.0044 |
| 030 | 7J246-56420 | LABEL DANGER 2 | 1 | | | ENGLISH | 0.001 | 0.0022 |
| 040 | 7J246-56430 | LABEL DANGER 3 | 1 | | | ENGLISH | 0.002 | 0.0044 |
| 050 | 7J246-56442 | LABEL WARNING 1 | 1 | | | ENGLISH | 0.01 | 0.022 |
| 060 | 7J246-56450 | LABEL CAUTION 1 | 1 | | | ENGLISH | 0.002 | 0.0044 |
| 070 | 99999-99999 | BLANK | 0 | | | | 0 | 0 |
| 080 | 99999-99999 | BLANK | 0 | | | | 0 | 0 |
| 090 | 99999-99999 | BLANK | 0 | | | | 0 | 0 |
| 100 | 75599-56006 | HAIRPIN COTTER | 2 | | | | 0.01 | 0.022 |
| 110 | 75580-56370 | LABEL LUBRICATE | 1 | | | ENGLISH | 0.001 | 0.0022 |
| 120 | 75585-90140 | FRAME SIDE RH(LABEL) | 1 | | | ENGLISH | 0 | 0 |
| 130 | 7J246-56442 | LABEL WARNING 1 | 1 | | | ENGLISH | 0.01 | 0.022 |
| 140 | 75585-56050 | PIN MAIN FRAME | 2 | | | | 0.82 | 1.804 |
| 150 | 75599-04360 | HEX.BOLT | 2 | | | 3/8-24UNF*3 | 0.05 | 0.11 |
| 160 | 75599-31923 | NUT LOCKING | 2 | | | 3/8-24UNF | 0.007 | 0.0154 |
| 170 | 75585-56710 | CONNECTOR | 1 | | | | 0 | 0 |
| 180 | 75599-04630 | HEX.BOLT | 4 | | | 9/16-18UNF*1-1/2 | 0.067 | 0.1474 |
| 190 | 75599-31066 | HEX.NUT | 4 | | | 9/16-18UNF | 0.03 | 0.066 |
| 200 | 75599-33016 | WASHER SPRING | 4 | | | 9/16 | 0.08 | 0.176 |
| 210 | 75599-32516 | WASHER PLAIN | 8 | | | 9/16HD | 0.011 | 0.0242 |
| 220 | 75585-57410 | BRACE | 2 | | | | 10.5 | 23.1 |
| 230 | 75599-04735 | HEX.BOLT | 10 | | | 5/8-18UNF*1-3/4 | 0.09 | 0.198 |
| 240 | 75599-31067 | HEX.NUT | 10 | | | 5/8-18UNF | 0.032 | 0.0704 |
| 250 | 75599-33017 | WASHER SPRING LOCK | 10 | | | 5/8 | 0.005 | 0.011 |
| 260 | 75599-04640 | HEX.BOLT | 10 | | | 9/16-18UNF*2 | 0.08 | 0.176 |
| 270 | 75599-31066 | HEX.NUT | 10 | | | 9/16-18UNF | 0.03 | 0.066 |
| 280 | 75599-33016 | WASHER SPRING | 10 | | | 9/16 | 0.08 | 0.176 |
| 290 | 75585-68460 | LABEL(TL1150) | 2 | | | | 0 | 0 |
| 300 | 99999-99999 | BLANK | 0 | | | | 0 | 0 |
| 310 | 75585-95512 | KIT FRENCH TL1150 | 1 | | | FRENCH | 0 | 0 |
| 320 | 75546-99613 | LABEL DANGER 1(F) | 1 | | | FRENCH | 0.001 | 0.0022 |
| 330 | 75546-99632 | LABEL DANGER 3(F) | 1 | | | FRENCH | 0.01 | 0.022 |
| 340 | 75546-99642 | LABEL WARNING 1(F) | 2 | | | FRENCH | 0.001 | 0.0022 |
| 350 | 75580-95550 | LABEL LUBRICATE FREN | 1 | | | FRENCH | 0.001 | 0.0022 |
| 360 | 75546-99654 | LABEL CAUTION(F) | 1 | | | FRENCH | 0.003 | 0.0066 |
| 370 | 75567-99622 | LABEL DANGER 2(F) | 1 | | | FRENCH | 0.003 | 0.0066 |

FRONT GUARD



75585-002-10

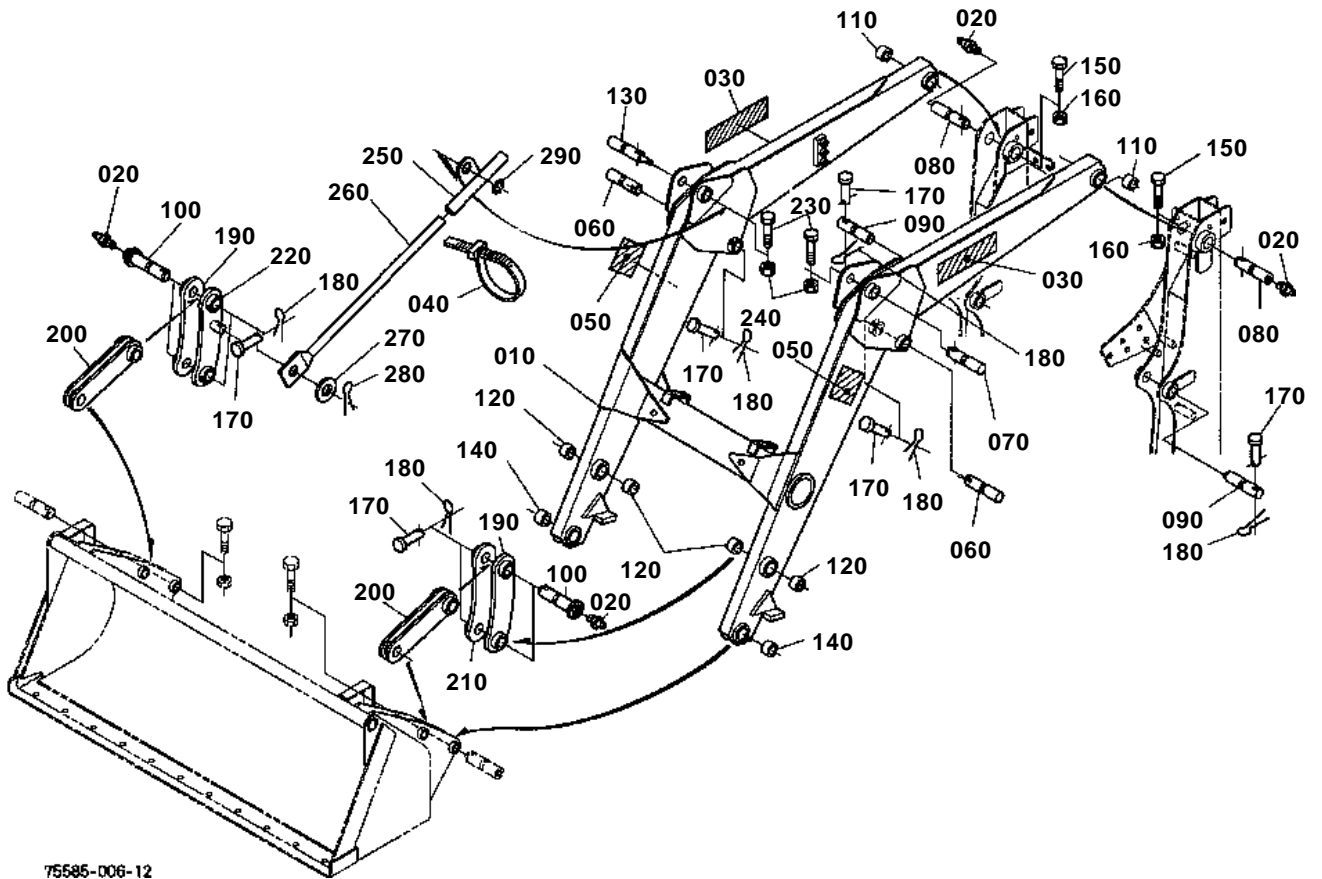


FRONT GUARD

↔ Interchangeable; ≠ not interchangeable; ← new for old; → old for new

| REF.No | Part No. | Description | Q'ty | S.No. | I/C | REMARKS | Weight (kgf) | Weight (lb) |
|--------|-------------|---------------------|------|-------|-----|------------------|--------------|-------------|
| 010 | 32751-96710 | GUARD FRONT | 1 | | | | 0 | 0 |
| 020 | 32751-96720 | STAY 1(FRONT GUARD) | 2 | | | | 0 | 0 |
| 030 | 01073-51235 | BOLT | 4 | | | M12*1.25*35 | 0.045 | 0.099 |
| 040 | 04512-60120 | WASHER SPRING | 4 | | | | 0.005 | 0.011 |
| 050 | 99999-99999 | BLANK | 0 | | | | 0 | 0 |
| 060 | 75585-57960 | STAY 2 LH(F/G) | 1 | | | | 2.1 | 4.62 |
| 070 | 75585-57970 | STAY 2 RH(F/G) | 1 | | | | 2.05 | 4.51 |
| 080 | 75599-04650 | HEX.BOLT | 2 | | | 9/16-18UNF*2-1/2 | 0.1 | 0.22 |
| 090 | 75599-31066 | HEX.NUT | 2 | | | 9/16-18UNF | 0.03 | 0.066 |
| 100 | 75599-33016 | WASHER SPRING | 2 | | | 9/16 | 0.08 | 0.176 |
| 110 | 75599-51725 | PIN CLEVIS | 2 | | | 5/8*1-1/4 | 0.06 | 0.132 |
| 120 | 75599-56006 | HAIRPIN COTTER | 2 | | | | 0.01 | 0.022 |

BOOM



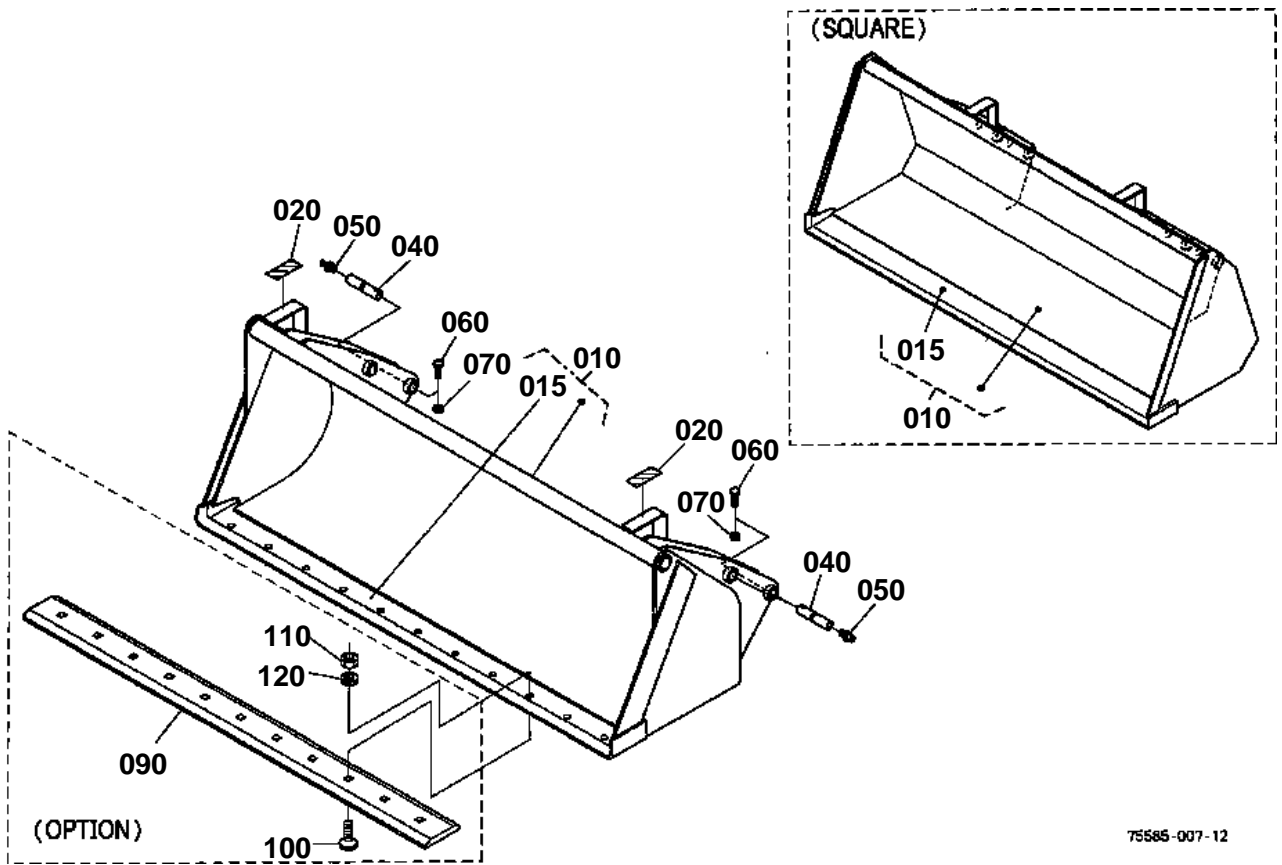
75585-006-12

**BOOM**

↔ Interchangeable; ≠ not interchangeable; ← new for old; → old for new

| REF.No | Part No. | Description | Q'ty | S.No. | I/C | REMARKS | Weight (kgf) | Weight (lb) |
|--------|-------------|----------------------|------|-------|-----|------------------|--------------|-------------|
| 010 | 75585-58012 | BOOM | 1 | | | | 196 | 431.2 |
| 020 | 75599-81521 | FITTING GREASE | 6 | | | 1/4-28T.T | 0.003 | 0.0066 |
| 030 | TC220-80930 | LABEL KUBOTA | 2 | | | | 0.013 | 0.0286 |
| 040 | 75546-66920 | BAND CODE | 1 | | | 14.5 | 0.009 | 0.0198 |
| 050 | 32771-49440 | MARK(L48) | 2 | | | | 0 | 0 |
| 060 | 75582-58510 | PIN 1 | 2 | | | | 0.65 | 1.43 |
| 070 | 75563-58610 | PIN 2 | 1 | | | | 0.72 | 1.584 |
| 080 | 75585-58740 | PIN 5 | 2 | | | | 1.05 | 2.31 |
| 090 | 75585-58610 | PIN 2 | 2 | | | | 0 | 0 |
| 100 | 75585-58780 | PIN 7 | 4 | | | | 1 | 2.2 |
| 110 | 75585-58720 | BUSHING 1 | 2 | | | | 0.35 | 0.77 |
| 120 | 75585-58730 | BUSHING 2 | 4 | | | | 0.18 | 0.396 |
| 130 | 75585-58770 | PIN 6 | 1 | | | | 0.82 | 1.804 |
| 140 | 75563-58810 | BUSHING | 2 | | | | 0.24 | 0.528 |
| 150 | 75599-04360 | HEX.BOLT | 2 | | | 3/8-24UNF*3 | 0.05 | 0.11 |
| 160 | 75599-31923 | NUT LOCKING | 2 | | | 3/8-24UNF | 0.007 | 0.0154 |
| 170 | 75582-58520 | PIN CLEVIS | 8 | | | 5/16*2-3/16 | 0.02 | 0.044 |
| 180 | 75599-53172 | PIN COTTER | 8 | | | 1/8*3/4 | 0.01 | 0.022 |
| 190 | 75585-58800 | COMP LINK 1 | 2 | | | | 2.18 | 4.796 |
| 200 | 75585-58820 | COMP LINK 2 | 2 | | | | 4.04 | 8.888 |
| 210 | 75585-58850 | COMP LINK 3 | 1 | | | | 2.14 | 4.708 |
| 220 | 75585-58900 | COMP LINK 4 | 1 | | | | 0 | 0 |
| 230 | 75599-03250 | HEX.BOLT | 2 | | | 5/16-18UNC*2-1/2 | 0.027 | 0.0594 |
| 240 | 75599-31912 | NUT LOCKING | 2 | | | 5/16-18UNC | 0.006 | 0.0132 |
| 250 | 7J261-58940 | ASSY INDICATOR | 1 | | | | 0.46 | 1.012 |
| 260 | 7J266-58950 | ROD LEVEL | 1 | | | | 0.5 | 1.1 |
| 270 | 75599-32012 | WASHER PLAIN | 1 | | | 5/16 | 0.002 | 0.0044 |
| 280 | 75599-53152 | PIN COTTER | 1 | | | 3/22*3/4 | 0.001 | 0.0022 |
| 290 | 75599-41530 | CIR-CLIP EXTERNAL(1) | 1 | | | | 0 | 0 |

BUCKET



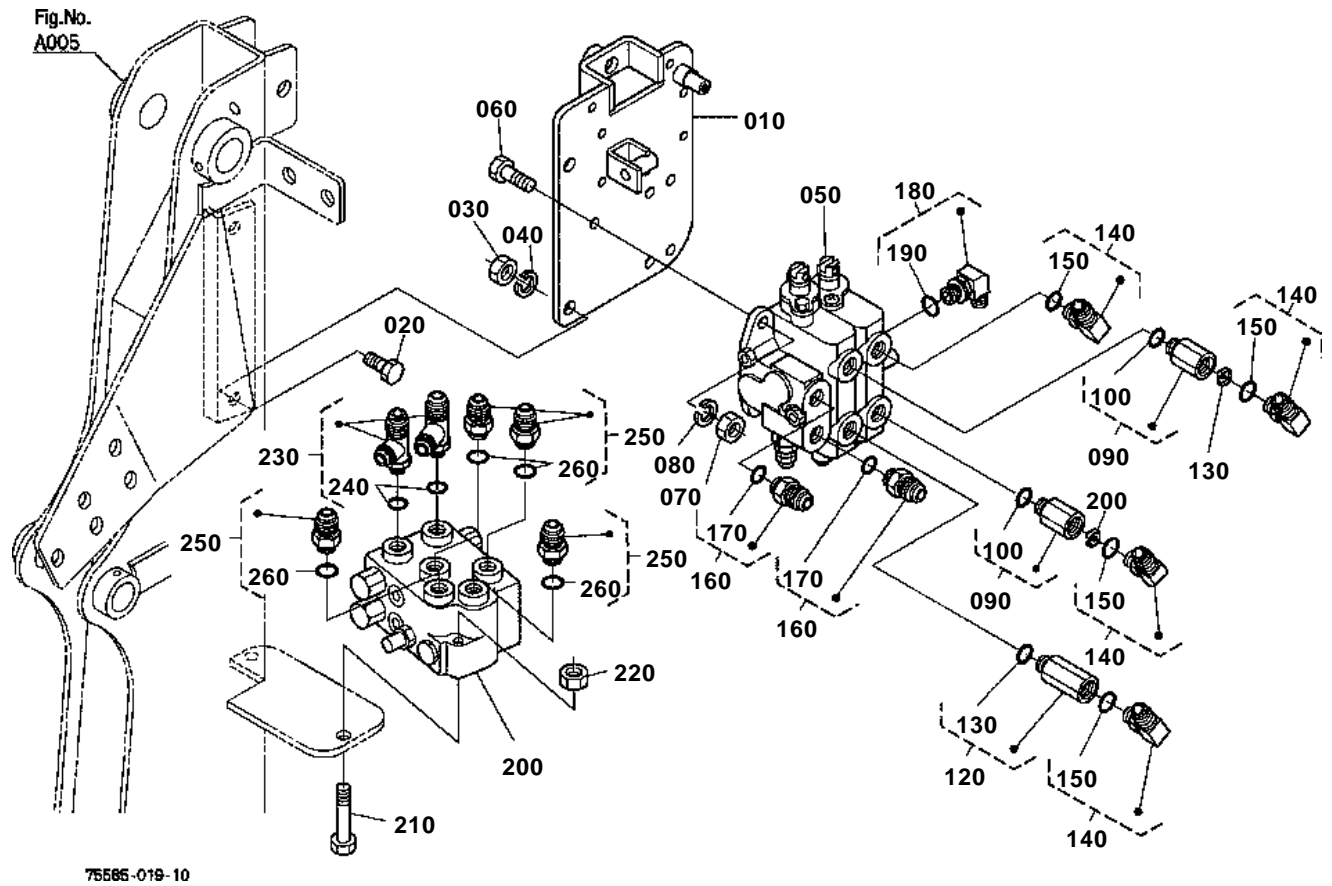
75585-007-12

**BUCKET**

↔ Interchangeable; ≠ not interchangeable; ← new for old; → old for new

| REF.No | Part No. | Description | Q'ty | S.No. | I/C | REMARKS | Weight (kgf) | Weight (lb) |
|--------|-------------|--------------------|------|-------|-----|------------------|--------------|-------------|
| 010 | 75585-79010 | BUCKET 72 | 1 | | | ROUND | 0 | 0 |
| 010 | 75585-59010 | BUCKET 72 | 1 | | | SQUARE | 0 | 0 |
| 015 | 75585-79320 | EDGE CUTTING | 1 | | | ROUND | 60 | 132 |
| 015 | 75561-59320 | EDGE CUTTING | 1 | | | SQUARE | 60 | 132 |
| 020 | 75540-59450 | LABEL LEVELER | 2 | | | | 0.001 | 0.0022 |
| 030 | 99999-99999 | BLANK | 0 | | | | 0 | 0 |
| 040 | 75585-58710 | PIN 3 | 4 | | | | 0.8 | 1.76 |
| 050 | 75599-81521 | FITTING GREASE | 4 | | | 1/4-28T.T | 0.003 | 0.0066 |
| 060 | 75599-03250 | HEX.BOLT | 4 | | | 5/16-18UNC*2-1/2 | 0.027 | 0.0594 |
| 070 | 75599-31912 | NUT LOCKING | 4 | | | 5/16-18UNC | 0.006 | 0.0132 |
| 080 | 99999-99999 | BLANK | 0 | | | | 0 | 0 |
| 090 | 75585-79810 | BLADE BOLT ON | 1 | | | | 31.5 | 69.3 |
| 100 | 75599-09535 | PLOW BOLT | 11 | | | 1/2-13UNC*1-3/4 | 0.046 | 0.1012 |
| 110 | 75599-31015 | NUT | 11 | | | 1/2-13UNC | 0.01 | 0.022 |
| 120 | 75599-33015 | WASHER SPRING LOCK | 11 | | | 1/2 | 0.006 | 0.0132 |

CONTROL VALVE



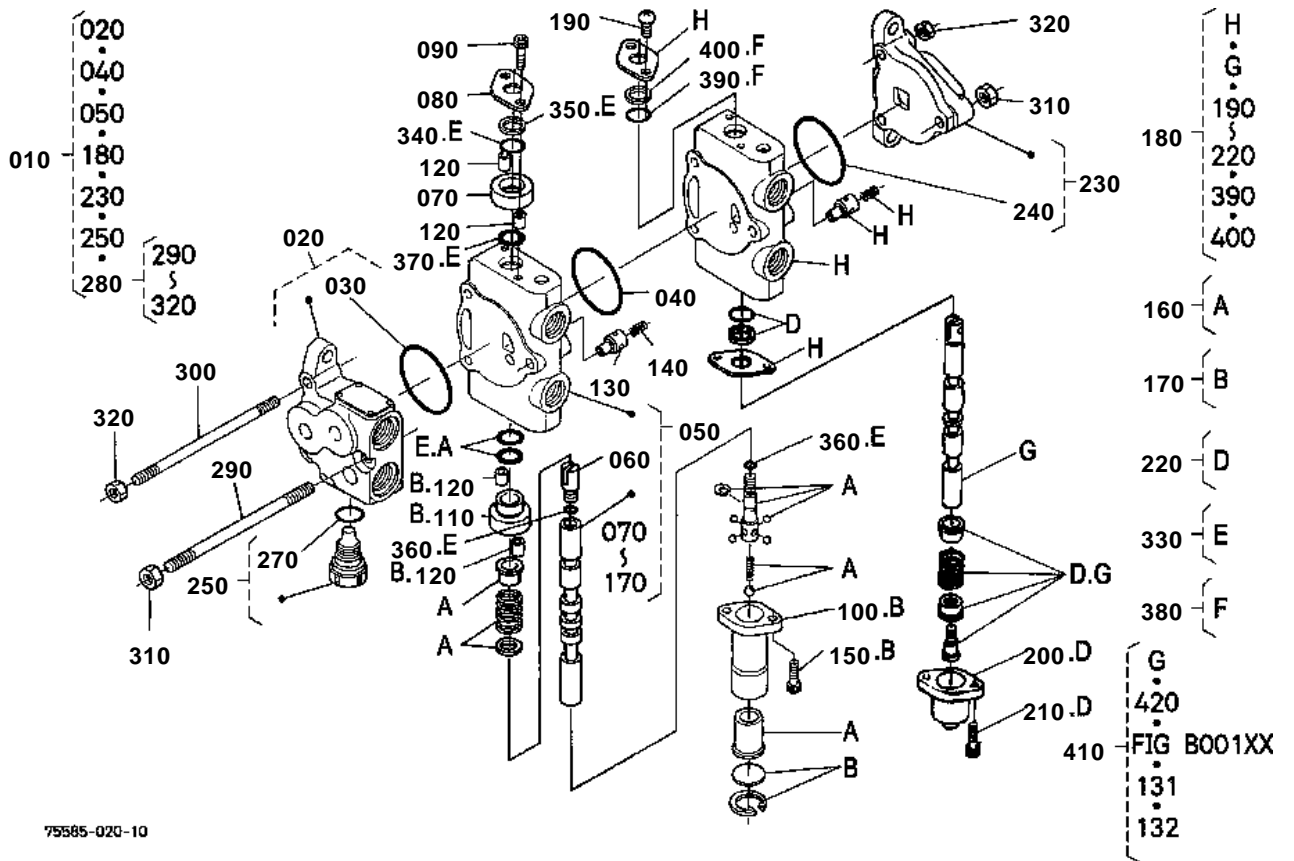


CONTROL VALVE

↔ Interchangeable; ≠ not interchangeable; ← new for old; → old for new

| REF.No | Part No. | Description | Q'ty | S.No. | I/C | REMARKS | Weight (kgf) | Weight (lb) |
|--------|-------------|----------------------|------|-------|-----|------------------|--------------|-------------|
| 010 | 75585-68100 | STAY VALVE | 1 | | | | 0 | 0 |
| 020 | 75599-03525 | HEX.BOLT | 2 | | | 1/2-13UNC*1-1/4 | 0.025 | 0.055 |
| 030 | 75599-31015 | NUT | 2 | | | 1/2-13UNC | 0.01 | 0.022 |
| 040 | 75599-33015 | WASHER SPRING LOCK | 2 | | | 1/2 | 0.006 | 0.0132 |
| 050 | 75540-61010 | VALVE CONTROL | 1 | | | | 8.1 | 17.82 |
| 060 | 75599-03325 | HEX.BOLT | 3 | | | 3/8-16UNC*1-1/4 | 0.021 | 0.0462 |
| 070 | 75599-31013 | NUT | 3 | | | 3/8-16UNC | 0.006 | 0.0132 |
| 080 | 75599-33013 | WASHER SPRING | 3 | | | 3/8 | 0.006 | 0.0132 |
| 090 | 75595-63400 | ASSY PLUG ORIFICE | 2 | | | | 0.08 | 0.176 |
| 100 | 75540-61820 | O-RING | 2 | | | | 0.001 | 0.0022 |
| 110 | 75585-61880 | THROTTLE | 1 | | | | 0.008 | 0.0176 |
| 120 | 75567-61850 | ASSY ADAPTER 3 | 1 | | | | 0.2 | 0.44 |
| 130 | 75540-61820 | O-RING | 1 | | | | 0.001 | 0.0022 |
| 140 | 75560-61950 | ASSY ELBOW 2 ADJUSTA | 4 | | | | 0.14 | 0.308 |
| 150 | 75540-61820 | O-RING | 4 | | | | 0.001 | 0.0022 |
| 160 | 75585-61800 | ASSY ADAPTER | 2 | | | | 0.082 | 0.1804 |
| 170 | 75540-61820 | O-RING | 2 | | | | 0.001 | 0.0022 |
| 180 | 75585-61900 | ASSY ELBOW ADJUSTABL | 1 | | | | 0.15 | 0.33 |
| 190 | 75540-61820 | O-RING | 1 | | | | 0.001 | 0.0022 |
| 200 | 75585-67014 | VALVE SELF LEVEL | 1 | | | | 10.1 | 22.22 |
| 210 | 75599-01255 | HEX.BOLT | 2 | | | 5/16-18UNC*2-3/4 | 0.034 | 0.0748 |
| 220 | 75599-31912 | NUT LOCKING | 2 | | | 5/16-18UNC | 0.006 | 0.0132 |
| 230 | 75585-61950 | ASSY RUN TEE ADJUSTA | 2 | | | | 0.216 | 0.4752 |
| 240 | 75568-61820 | O-RING | 2 | | | | 0.002 | 0.0044 |
| 250 | 75590-63600 | ASSY ADAPTER | 4 | | | 7/8 | 0.09 | 0.198 |
| 260 | 75590-63620 | O-RING | 4 | | | | 0.01 | 0.022 |

CONTROL VALVE [COMPONENT PARTS]





CONTROL VALVE [COMPONENT PARTS]

↔ Interchangeable; ≠ not interchangeable; ← new for old; → old for new

| REF.No | Part No. | Description | Q'ty | S.No. | I/C | REMARKS | Weight (kgf) | Weight (lb) |
|--------|-------------|----------------------|------|-------|-----|----------|--------------|-------------|
| 010 | 75540-61010 | VALVE CONTROL | 1 | | | 5000B214 | 8.1 | 17.82 |
| 020 | 75540-61200 | ASSY INLET SECTION | 1 | | | | 1.4 | 3.08 |
| 030 | 75540-61250 | O-RING | 1 | | | | 0.01 | 0.022 |
| 040 | 75540-61250 | O-RING | 1 | | | 564 | 0.01 | 0.022 |
| 050 | 75540-61300 | ASSY SPOOL SECTION 1 | 1 | | | | 2.6 | 5.72 |
| 060 | 75540-61310 | CLEVIS END | 1 | | | 52233 | 0.014 | 0.0308 |
| 070 | 75540-61320 | SPACER-CAP SPOOL | 1 | | | 53859 | 0.05 | 0.11 |
| 080 | 75540-61330 | PLATE-SEAL | 1 | | | 5012 | 0.012 | 0.0264 |
| 090 | 75540-61340 | CAP SCREW-SOC.HD. | 2 | | | 5155 | 0.001 | 0.0022 |
| 100 | 75540-61350 | CAP-SPOOL | 1 | | | 5034 | 0.07 | 0.154 |
| 110 | 75540-61360 | SPACER-CAP SPOOL | 1 | | | 53799 | 0.05 | 0.11 |
| 120 | 75540-61370 | SPACER | 4 | | | 53800 | 0.014 | 0.0308 |
| 130 | 75540-61380 | POPPET-C.V. | 1 | | | 5011 | 0.002 | 0.0044 |
| 140 | 75540-61390 | SPRING | 1 | | | 5064 | 0.001 | 0.0022 |
| 150 | 75540-61410 | CAP SCREW-SOC.HD. | 2 | | | 3424 | 0.01 | 0.022 |
| 160 | 75540-61420 | KIT DETENT | 1 | | | 54697 | 0.1 | 0.22 |
| 170 | 75540-61430 | KIT CAP SPOOL SEC.1 | 1 | | | 54642 | 0.2 | 0.44 |
| 180 | 75540-61400 | ASSY SPOOL SECTION 2 | 1 | | | 5002V74 | 2.6 | 5.72 |
| 190 | 75540-61440 | MACHINE SCREW-RD.HD. | 2 | | | 3432 | 0.051 | 0.1122 |
| 200 | 75540-61450 | CAP-SPOOL | 1 | | | 5028 | 0.032 | 0.0704 |
| 210 | 75540-61460 | CAP SCREW-SOC.HD. | 2 | | | 5035 | 0.001 | 0.0022 |
| 220 | 75540-61470 | KIT CAP SPOOL SEC.2 | 1 | | | | 0.08 | 0.176 |
| 230 | 75540-61500 | ASSY OUTLET SECTION | 1 | | | | 1.11 | 2.442 |
| 240 | 75540-61250 | O-RING | 1 | | | 564 | 0.01 | 0.022 |
| 250 | 75540-61600 | ASSY PLUG | 1 | | | 11180 | 0.06 | 0.132 |
| 260 | 99999-99999 | BLANK | 0 | | | | 0 | 0 |
| 270 | 75540-61620 | O-RING | 1 | | | 3384 | 0.001 | 0.0022 |
| 280 | 75540-61700 | KIT TIE ROD | 1 | | | | 0.16 | 0.352 |
| 290 | 75540-61710 | TIE ROD | 1 | | | 5089-2 | 0.08 | 0.176 |
| 300 | 75540-61720 | TIE ROD | 2 | | | 5069-2 | 0.05 | 0.11 |
| 310 | 75540-61730 | NUT-SPECIAL | 2 | | | 1052 | 0.02 | 0.044 |
| 320 | 75540-61740 | NUT-SPECIAL | 4 | | | 1861 | 0.001 | 0.0022 |
| 330 | 75540-99700 | KIT SEAL SPOOL SEC.1 | 1 | | | | 0.001 | 0.0022 |
| 340 | 75553-99810 | O-RING | 2 | | | 60-113 | 0.001 | 0.0022 |
| 350 | 75540-99720 | WIPER | 1 | | | 5029 | 0.002 | 0.0044 |
| 360 | 75540-99730 | O-RING | 2 | | | 4623 | 0.001 | 0.0022 |
| 370 | 75540-99740 | O-RING | 2 | | | 1490 | 0.001 | 0.0022 |
| 380 | 75540-99800 | KIT SEAL SPOOL SEC.2 | 1 | | | | 0.001 | 0.0022 |
| 390 | 75553-99810 | O-RING | 2 | | | 60-113 | 0.001 | 0.0022 |
| 400 | 75540-99720 | WIPER | 2 | | | 5029 | 0.002 | 0.0044 |
| 410 | 75585-99202 | KIT SPOOL | 1 | | | OPTION | 0.59 | 1.298 |

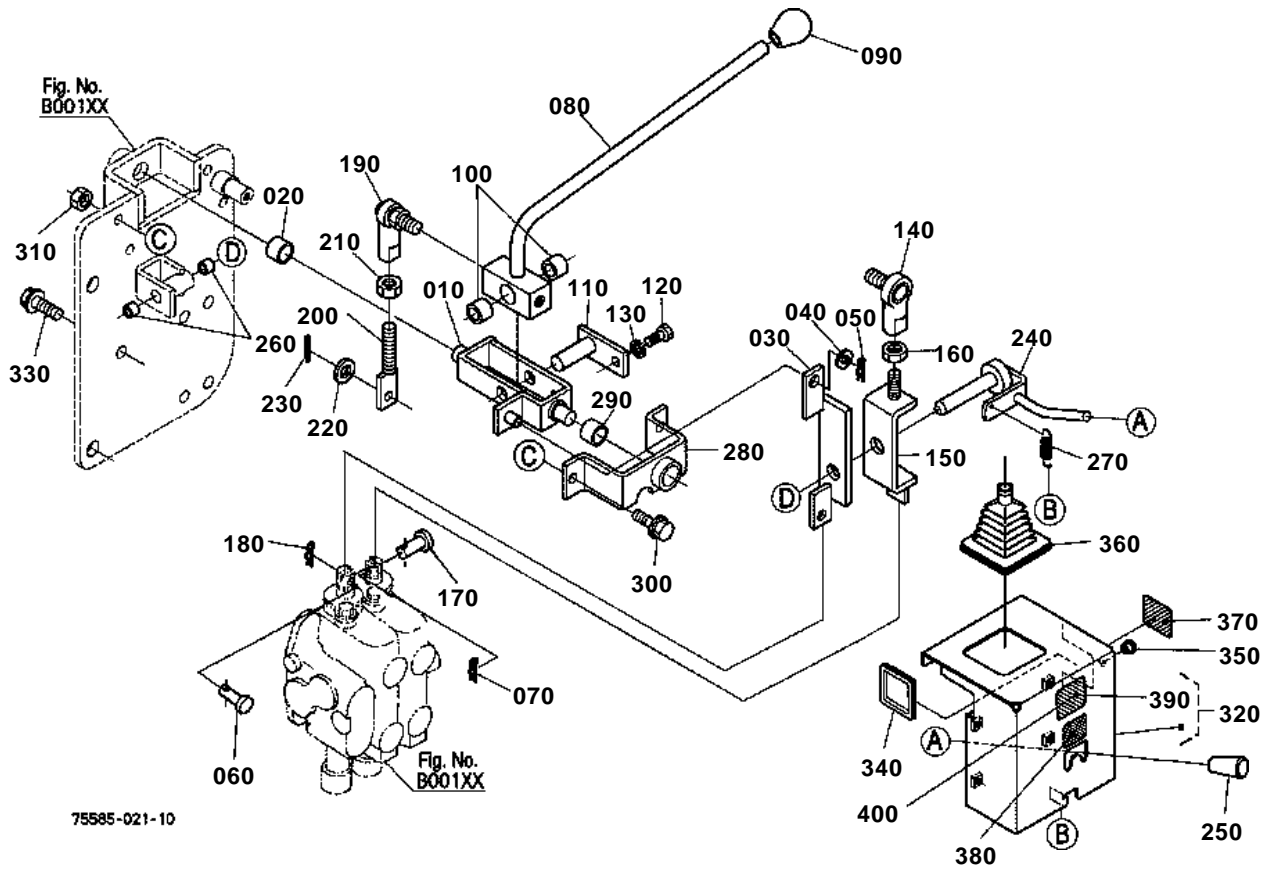


CONTROL VALVE [COMPONENT PARTS]

↔ Interchangeable; ≠ not interchangeable; ← new for old; → old for new

| REF.No | Part No. | Description | Q'ty | S.No. | I/C | REMARKS | Weight (kgf) | Weight (lb) |
|--------|-------------|----------------------|------|-------|-----|-----------|--------------|-------------|
| 010 | 75585-67014 | VALVE SELF LEVEL | 1 | | | | 10.1 | 22.22 |
| 020 | 75585-67112 | PLUG ASSEMBLY | 2 | | | | 0 | 0 |
| 030 | 75585-67120 | SPRING | 2 | | | 17047-17 | 0.002 | 0.0044 |
| 040 | 75585-67130 | SEAL REPAIR KIT | 1 | | | 39055-912 | 0.015 | 0.033 |
| 050 | 75585-67230 | NEEDELE VALVE ASSY | 2 | | | 93055-910 | 0.06 | 0.132 |
| 060 | 75585-67320 | PLUG ASSEMBLY | 4 | | | 16103-310 | 0.05 | 0.11 |
| 070 | 75585-67420 | RETAINING RING | 2 | | | 16145-10 | 0.001 | 0.0022 |
| 080 | 75585-67430 | SPRING | 1 | | | 17045-16 | 0.001 | 0.0022 |
| 090 | 75585-67440 | PLUG ASSEMBLY | 2 | | | 39055-337 | 0.1 | 0.22 |
| 100 | 75585-67450 | PLUG ASSEMBLY | 2 | | | 16224-056 | 0.09 | 0.198 |
| 110 | 75585-67620 | SPRING | 1 | | | 17045-35 | 0.02 | 0.044 |
| 120 | 75585-67703 | RELIEF VALVE ASSEMBL | 1 | | | | 0.14 | 0.308 |

CONTROL LEVER



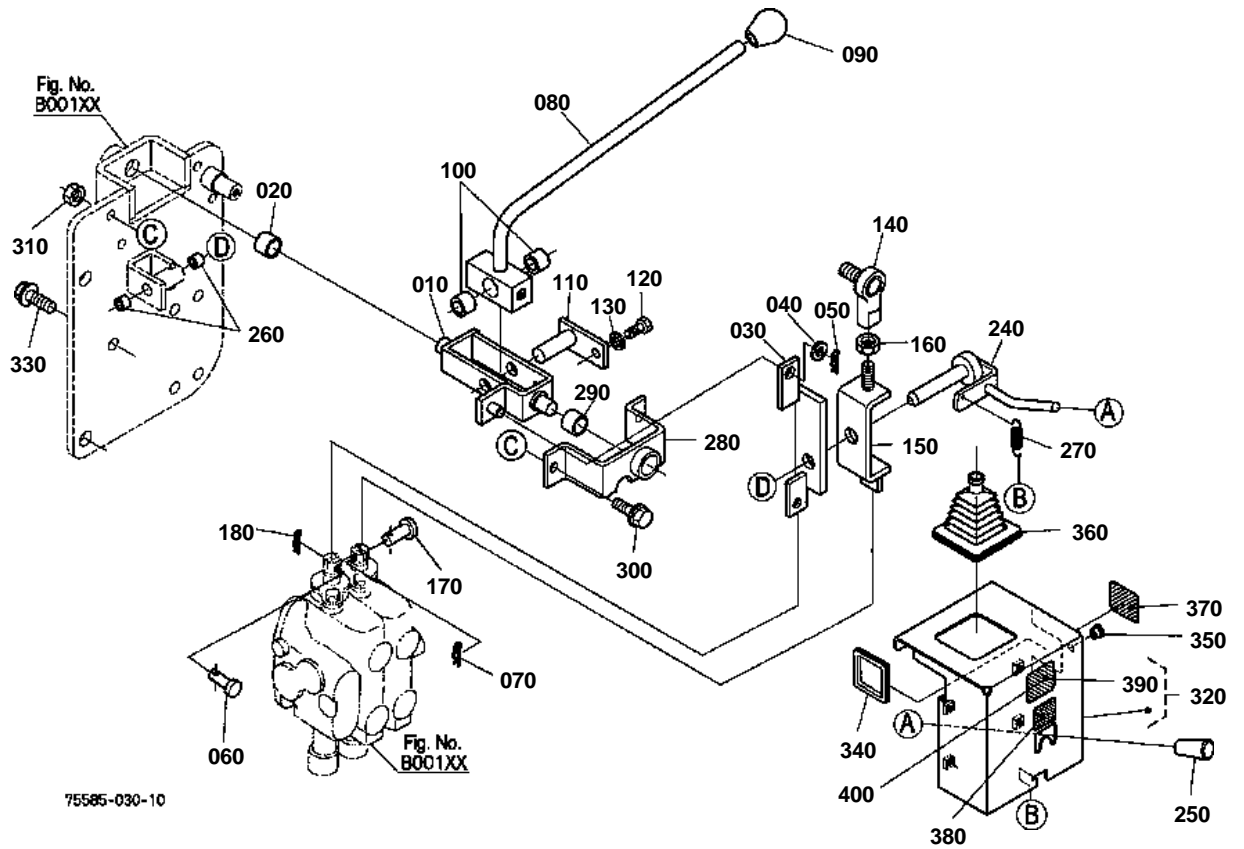


CONTROL LEVER

↔ Interchangeable; ≠ not interchangeable; ← new for old; → old for new

| REF.No | Part No. | Description | Q'ty | S.No. | I/C | REMARKS | Weight (kgf) | Weight (lb) |
|--------|-------------|--------------------|------|-------|-----|-------------|--------------|-------------|
| 010 | 75585-68260 | LEVER | 1 | | | | 0 | 0 |
| 020 | 75580-62140 | BUSHING 1 | 1 | | | | 0.002 | 0.0044 |
| 030 | 7J266-62283 | LEVER 2 LOCK | 1 | | | | 0.11 | 0.242 |
| 040 | 04013-60100 | WASHER PLAIN | 1 | | | | 0.003 | 0.0066 |
| 050 | 05525-61000 | PIN SNAP | 1 | | | | 0.002 | 0.0044 |
| 060 | 75540-62190 | PIN | 1 | | | | 0.018 | 0.0396 |
| 070 | 05525-60500 | PIN SNAP | 1 | | | | 0.001 | 0.0022 |
| 080 | 75585-68210 | LEVER CONTROL | 1 | | | | 0 | 0 |
| 090 | 31355-82520 | GRIP LEVER | 1 | | | | 0.05 | 0.11 |
| 100 | 75580-62140 | BUSHING 1 | 2 | | | | 0.002 | 0.0044 |
| 110 | 75582-62120 | PIN | 1 | | | | 0.1 | 0.22 |
| 120 | 75599-02210 | HEX.BOLT | 1 | | | 5/16-24UNF* | 0.009 | 0.0198 |
| 130 | 75599-33012 | WASHER SPRING | 1 | | | 5/16 | 0.002 | 0.0044 |
| 140 | 75532-62260 | JOINT ROD END | 1 | | | | 0.05 | 0.11 |
| 150 | 75567-62160 | LEVER 1 LOCK | 1 | | | | 0 | 0 |
| 160 | 75599-31022 | NUT | 1 | | | 5/16-24UNF | 0.015 | 0.033 |
| 170 | 75540-62190 | PIN | 1 | | | | 0.018 | 0.0396 |
| 180 | 05525-60500 | PIN SNAP | 1 | | | | 0.001 | 0.0022 |
| 190 | 75532-62260 | JOINT ROD END | 1 | | | | 0.05 | 0.11 |
| 200 | 75582-62510 | ROD 3 | 1 | | | | 0.03 | 0.066 |
| 210 | 75599-31022 | NUT | 1 | | | 5/16-24UNF | 0.015 | 0.033 |
| 220 | 75599-32012 | WASHER PLAIN | 1 | | | 5/16 | 0.002 | 0.0044 |
| 230 | 75599-53152 | PIN COTTER | 1 | | | 3/32*3/4 | 0.001 | 0.0022 |
| 240 | 75585-68410 | LEVER LOCK | 1 | | | | 0 | 0 |
| 250 | 06914-00100 | GRIP LEVER | 1 | | | | 0.02 | 0.044 |
| 260 | 08511-01210 | BUSH | 2 | | | | 0.005 | 0.011 |
| 270 | 7J266-62813 | SPRING LOCK | 1 | | | | 0.1 | 0.22 |
| 280 | 75585-68320 | STAY LEVER | 1 | | | | 0 | 0 |
| 290 | 75580-62140 | BUSHING | 1 | | | | 0.002 | 0.0044 |
| 300 | 01754-50820 | BOLT FLANGE | 2 | | | | 0.015 | 0.033 |
| 310 | 02114-50080 | NUT | 2 | | | | 0.005 | 0.011 |
| 320 | 75585-90230 | COVER(LABEL) | 1 | | | ENGLISH | 0 | 0 |
| 330 | 01754-50820 | BOLT FLANGE | 4 | | | | 0.015 | 0.033 |
| 340 | 75585-68300 | CAP(COVER) | 1 | | | | 0 | 0 |
| 350 | 75585-68340 | PLUG | 1 | | | | 0 | 0 |
| 360 | 7J266-62710 | BOOT CONTROL LEVER | 1 | | | | 0.01 | 0.022 |
| 370 | 7J266-62360 | LABEL CONTROL | 1 | | | | 0.002 | 0.0044 |
| 380 | 7J266-62910 | LABEL C/V LOCK | 1 | | | | 0.001 | 0.0022 |
| 390 | 7J266-56490 | LABEL CAUTION 4 | 1 | | | ENGLISH | 0.001 | 0.0022 |
| 400 | 7J266-99682 | LABEL CAUTION(F) | 1 | | | FRENCH | 0.001 | 0.0022 |

CONTROL LEVER



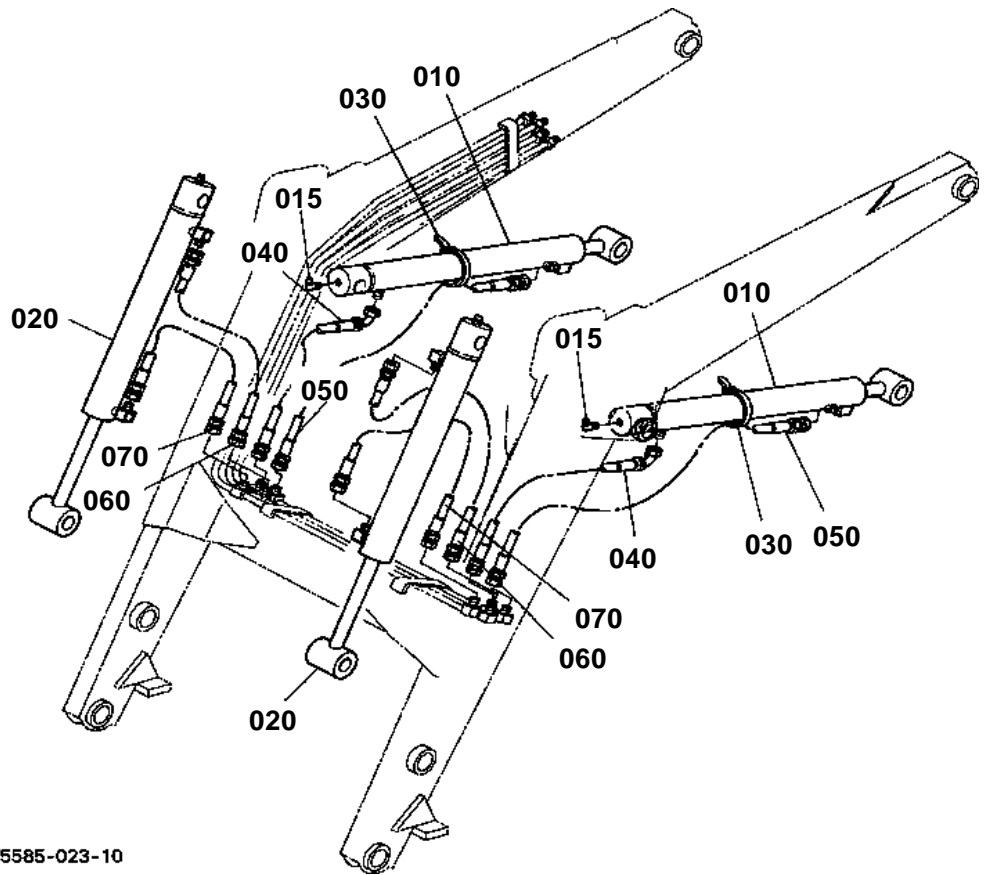


CONTROL LEVER

↔ Interchangeable; ≠ not interchangeable; ← new for old; → old for new

| REF.No | Part No. | Description | Q'ty | S.No. | I/C | REMARKS | Weight (kgf) | Weight (lb) |
|--------|-------------|--------------------|------|-------|-----|-------------|--------------|-------------|
| 010 | 75585-68260 | LEVER | 1 | | | | 0 | 0 |
| 020 | 75580-62140 | BUSHING 1 | 1 | | | | 0.002 | 0.0044 |
| 030 | 7J266-62283 | LEVER 2 LOCK | 1 | | | | 0.11 | 0.242 |
| 040 | 04013-60100 | WASHER PLAIN | 1 | | | | 0.003 | 0.0066 |
| 050 | 05525-61000 | PIN SNAP | 1 | | | | 0.002 | 0.0044 |
| 060 | 75540-62190 | PIN | 1 | | | | 0.018 | 0.0396 |
| 070 | 05525-60500 | PIN SNAP | 1 | | | | 0.001 | 0.0022 |
| 080 | 75585-68210 | LEVER CONTROL | 1 | | | | 0 | 0 |
| 090 | 31355-82520 | GRIP LEVER | 1 | | | | 0.05 | 0.11 |
| 100 | 75580-62140 | BUSHING 1 | 2 | | | | 0.002 | 0.0044 |
| 110 | 75582-62120 | PIN | 1 | | | | 0.1 | 0.22 |
| 120 | 75599-02210 | HEX.BOLT | 1 | | | 5/16-24UNF* | 0.009 | 0.0198 |
| 130 | 75599-33012 | WASHER SPRING | 1 | | | 5/16 | 0.002 | 0.0044 |
| 140 | 75532-62260 | JOINT ROD END | 1 | | | | 0.05 | 0.11 |
| 150 | 75567-62160 | LEVER 1 LOCK | 1 | | | | 0 | 0 |
| 160 | 75599-31022 | NUT | 1 | | | 5/16-24UNF | 0.015 | 0.033 |
| 170 | 75540-62190 | PIN | 1 | | | | 0.018 | 0.0396 |
| 180 | 05525-60500 | PIN SNAP | 1 | | | | 0.001 | 0.0022 |
| 190 | 99999-99999 | BLANK | 0 | | | | 0 | 0 |
| 200 | 99999-99999 | BLANK | 0 | | | | 0 | 0 |
| 210 | 99999-99999 | BLANK | 0 | | | | 0 | 0 |
| 220 | 99999-99999 | BLANK | 0 | | | | 0 | 0 |
| 230 | 99999-99999 | BLANK | 0 | | | | 0 | 0 |
| 240 | 75585-68410 | LEVER LOCK | 1 | | | | 0 | 0 |
| 250 | 06914-00100 | GRIP LEVER | 1 | | | | 0.02 | 0.044 |
| 260 | 08511-01210 | BUSH | 2 | | | | 0.005 | 0.011 |
| 270 | 7J266-62813 | SPRING LOCK | 1 | | | | 0.1 | 0.22 |
| 280 | 75585-68320 | STAY LEVER | 1 | | | | 0 | 0 |
| 290 | 75580-62140 | BUSHING | 1 | | | | 0.002 | 0.0044 |
| 300 | 01754-50820 | BOLT FLANGE | 2 | | | | 0.015 | 0.033 |
| 310 | 02114-50080 | NUT | 2 | | | | 0.005 | 0.011 |
| 320 | 75585-90230 | COVER(LABEL) | 1 | | | ENGLISH | 0 | 0 |
| 330 | 01754-50820 | BOLT FLANGE | 4 | | | | 0.015 | 0.033 |
| 340 | 75585-68300 | CAP(COVER) | 1 | | | | 0 | 0 |
| 350 | 75585-68340 | PLUG | 1 | | | | 0 | 0 |
| 360 | 7J266-62710 | BOOT CONTROL LEVER | 1 | | | | 0.01 | 0.022 |
| 370 | 7J266-62360 | LABEL CONTROL | 1 | | | | 0.002 | 0.0044 |
| 380 | 7J266-62910 | LABEL C/V LOCK | 1 | | | | 0.001 | 0.0022 |
| 390 | 7J266-56490 | LABEL CAUTION 4 | 1 | | | ENGLISH | 0.001 | 0.0022 |
| 400 | 7J266-99682 | LABEL CAUTION(F) | 1 | | | FRENCH | 0.001 | 0.0022 |

CYLINDER/HYDRAULIC HOSE



75585-023-10

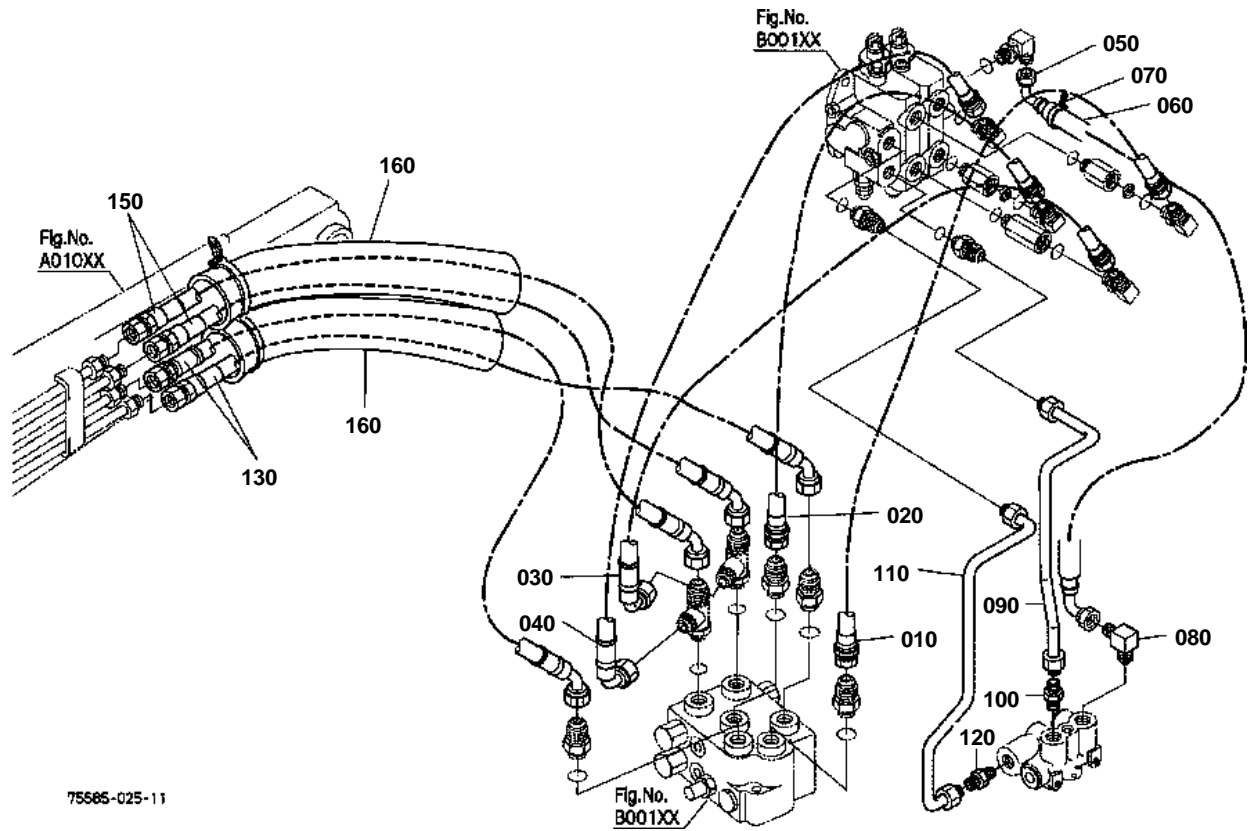


CYLINDER/HYDRAULIC HOSE

↔ Interchangeable; ≠ not interchangeable; ← new for old; → old for new

| REF.No | Part No. | Description | Q'ty | S.No. | I/C | REMARKS | Weight (kgf) | Weight (lb) |
|--------|-------------|-------------------|------|-------|-----|---------|--------------|-------------|
| 010 | 75585-63010 | CYLINDER 1 | 2 | | | | 15.5 | 34.1 |
| 015 | 75532-63470 | FITTING GREASE | 2 | | | 90DEG | 0.01 | 0.022 |
| 020 | 75585-64010 | CYLINDER 2 | 2 | | | | 12 | 26.4 |
| 030 | 75590-64650 | BAND CODE | 2 | | | | 0.01 | 0.022 |
| 040 | 75585-66610 | HOSE 8 HYDRAULIC | 2 | | | | 0.495 | 1.089 |
| 050 | 75585-66620 | HOSE HYDRAULIC | 2 | | | | 0.76 | 1.672 |
| 060 | 75585-66630 | HOSE 10 HYDRAULIC | 2 | | | | 0.44 | 0.968 |
| 070 | 75585-66640 | HOSE 11 HYDRAULIC | 2 | | | | 0.5 | 1.1 |

HYDRAULIC HOSE(HYD.OUTLET BLOCK)



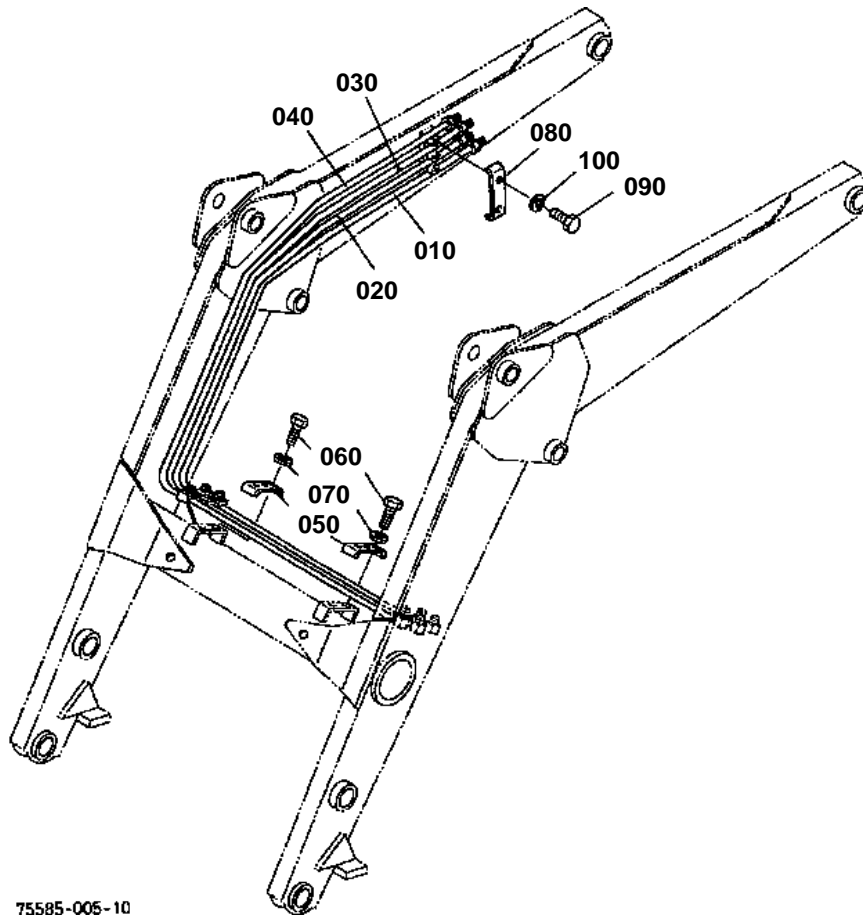


HYDRAULIC HOSE(HYD.OUTLET BLOCK)

↔ Interchangeable; ≠ not interchangeable; ← new for old; → old for new

| REF.No | Part No. | Description | Q'ty | S.No. | I/C | REMARKS | Weight (kgf) | Weight (lb) |
|--------|-------------|-------------------|------|-------|-----|---------|--------------|-------------|
| 010 | 75585-66110 | HOSE 1 HYDRAULIC | 1 | | | | 0.51 | 1.122 |
| 020 | 75585-66120 | HOSE 2 HYDRAULIC | 1 | | | | 0.55 | 1.21 |
| 030 | 75585-66130 | HOSE 3 HYDRAULIC | 1 | | | | 0.57 | 1.254 |
| 040 | 75585-66140 | HOSE 4 HYDRAULIC | 1 | | | | 0.5 | 1.1 |
| 050 | 75585-76310 | HOSE 5 HYDRAULIC | 1 | | | | 0.6 | 1.32 |
| 060 | 75583-66330 | SLEEVE 1 | 1 | | | | 0.06 | 0.132 |
| 070 | 75590-64650 | BAND CODE | 1 | | | | 0.01 | 0.022 |
| 080 | 75560-68530 | ELBOW | 1 | | | | 0.16 | 0.352 |
| 090 | 75585-66410 | TUBE PUMP | 1 | | | | 0.65 | 1.43 |
| 100 | 75567-68150 | ADAPTER 2 | 1 | | | | 0.08 | 0.176 |
| 110 | 75585-66510 | TUBE TANK | 1 | | | | 0.65 | 1.43 |
| 120 | 75567-68150 | ADAPTER 2 | 1 | | | | 0.08 | 0.176 |
| 130 | 75585-66650 | HOSE HYDRAULIC | 2 | | | | 0.79 | 1.738 |
| 140 | 99999-99999 | BLANK | 0 | | | | 0 | 0 |
| 150 | 75585-66670 | HOSE 14 HYDRAULIC | 2 | | | | 0.8 | 1.76 |
| 160 | 75590-64580 | SLEEVE | 2 | | | | 0.135 | 0.297 |

HYDRAULIC TUBE



75585-005-10

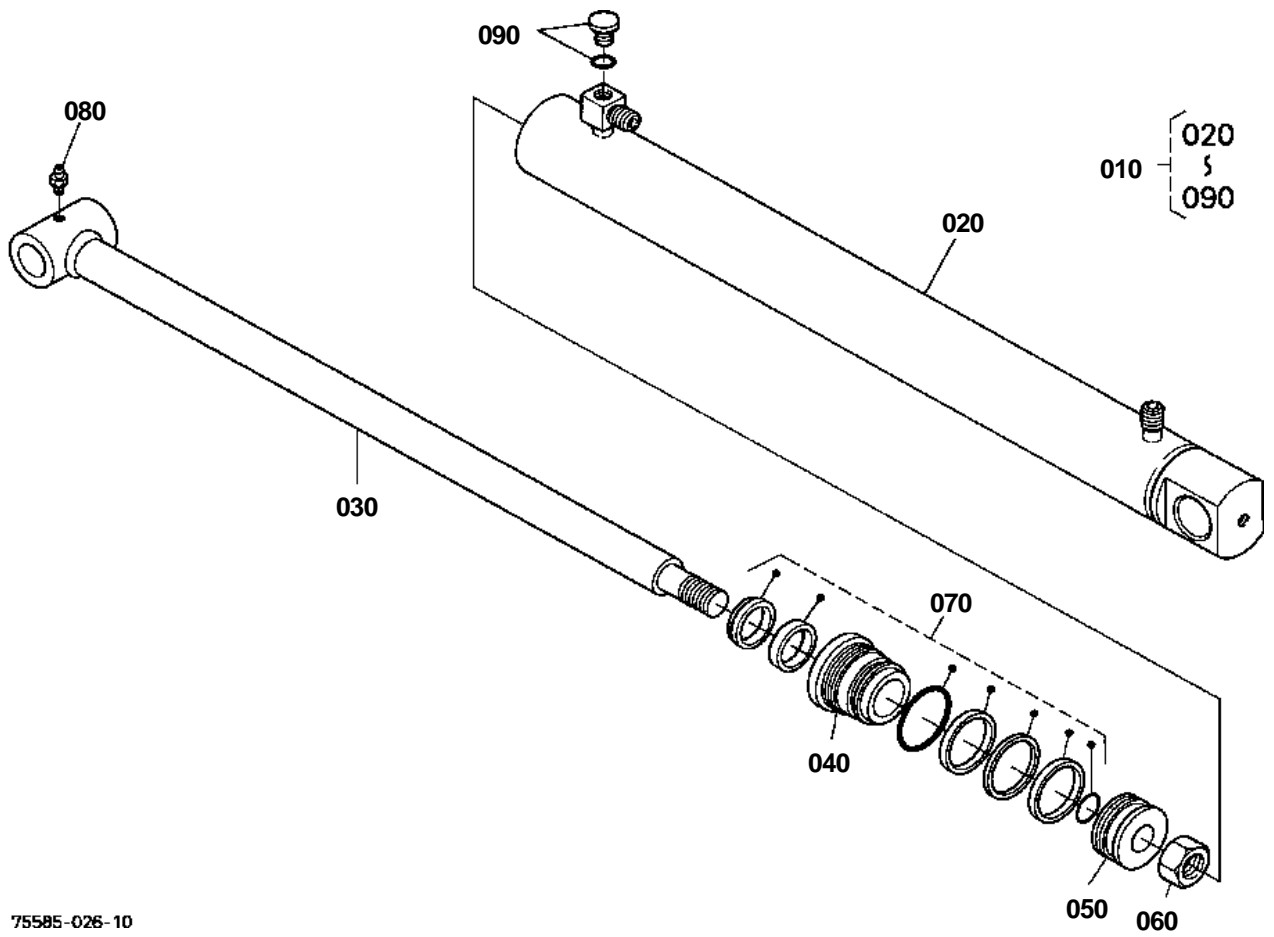


HYDRAULIC TUBE

↔ Interchangeable; ≠ not interchangeable; ← new for old; → old for new

| REF.No | Part No. | Description | Q'ty | S.No. | I/C | REMARKS | Weight (kgf) | Weight (lb) |
|--------|-------------|------------------|------|-------|-----|------------------|--------------|-------------|
| 010 | 75585-65110 | TUBE 1 HYDRAULIC | 1 | | | | 1.23 | 2.706 |
| 020 | 75585-65210 | TUBE 2 HYDRAULIC | 1 | | | | 0 | 0 |
| 030 | 75585-65310 | TUBE 3 HYDRAULIC | 1 | | | | 0.75 | 1.65 |
| 040 | 75585-65410 | TUBE 4 HYDRAULIC | 1 | | | | 1.26 | 2.772 |
| 050 | 75560-65510 | CLAMP 1 | 2 | | | | 0.11 | 0.242 |
| 060 | 75599-01225 | HEX.BOLT | 4 | | | 5/16-18UNC*1-1/4 | 0.015 | 0.033 |
| 070 | 75599-33012 | WASHER SPRING | 4 | | | 5/16 | 0.002 | 0.0044 |
| 080 | 75560-65530 | CLAMP | 1 | | | | 0.16 | 0.352 |
| 090 | 75599-01220 | HEX.BOLT | 2 | | | 5/16-18UNC*1 | 0.012 | 0.0264 |
| 100 | 75599-33012 | WASHER SPRING | 2 | | | 5/16 | 0.002 | 0.0044 |

CYLINDER (BOOM) [COMPONENT PARTS]



75585-026-10

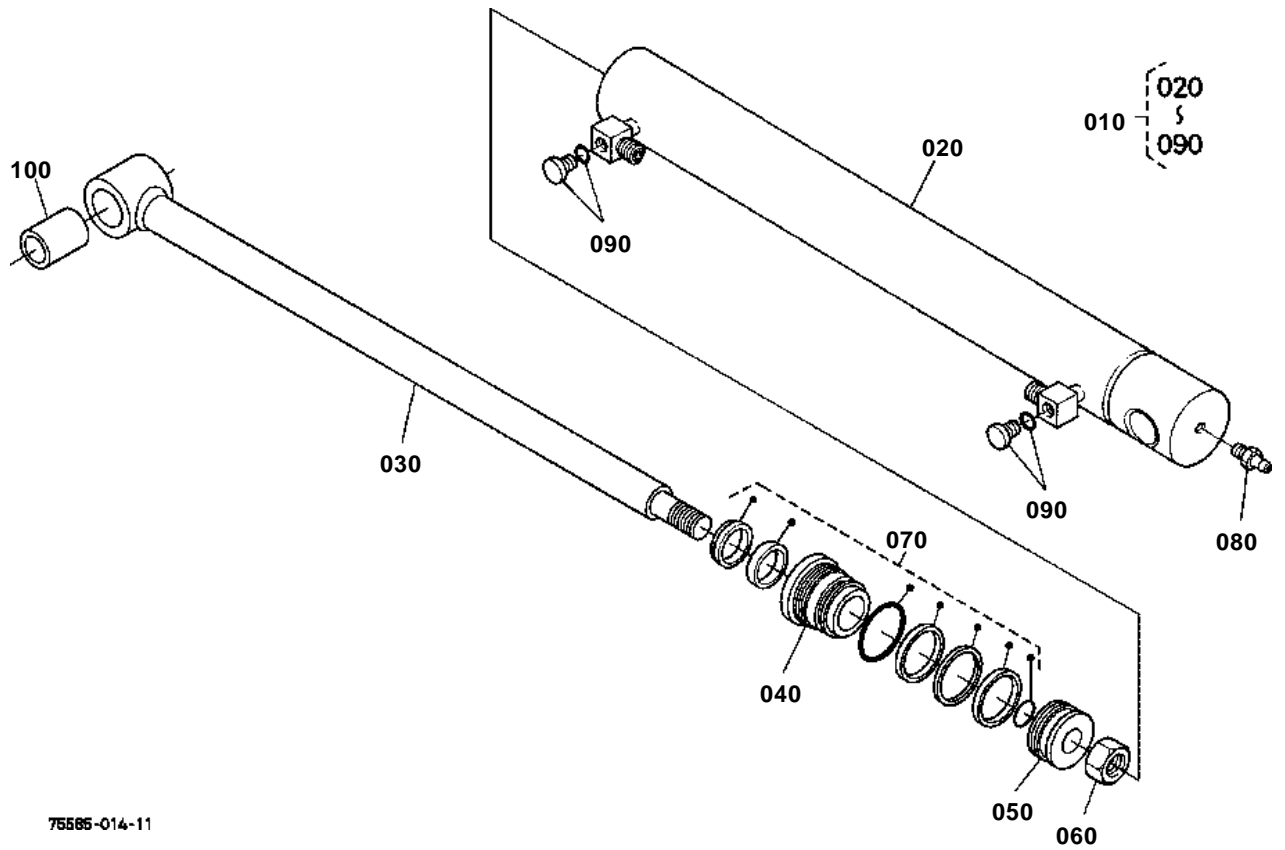


CYLINDER (BOOM) [COMPONENT PARTS]

↔ Interchangeable; ≠ not interchangeable; ← new for old; → old for new

| REF.No | Part No. | Description | Q'ty | S.No. | I/C | REMARKS | Weight (kgf) | Weight (lb) |
|--------|-------------|----------------|------|-------|-----|------------|--------------|-------------|
| 010 | 75585-63010 | CYLINDER 1 | 2 | | | | 15.5 | 34.1 |
| 020 | 75585-63100 | TUBE 1 COMP. | 2 | | | | 8.2 | 18.04 |
| 030 | 75585-63200 | ROD 1 COMP. | 2 | | | | 7.4 | 16.28 |
| 040 | 75585-63310 | HEAD | 2 | | | | 0 | 0 |
| 050 | 75585-63350 | PISTON | 2 | | | | 0 | 0 |
| 060 | 75585-63360 | NUT | 2 | | | | 0.17 | 0.374 |
| 070 | 75585-63400 | KIT SEAL | 2 | | | | 0.03 | 0.066 |
| 080 | 75599-81531 | FITTING GREASE | 2 | | | 1/8-27NPTF | 0.007 | 0.0154 |
| 090 | 75540-63490 | PLUG | 2 | | | | 0.001 | 0.0022 |

CYLINDER (BUCKET) [COMPONENT PARTS]

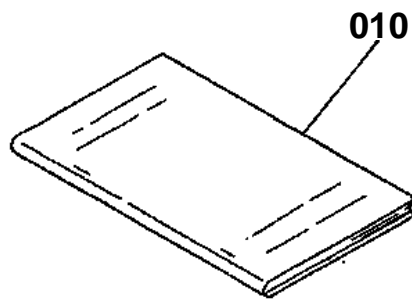




CYLINDER (BUCKET) [COMPONENT PARTS]

↔ Interchangeable; ≠ not interchangeable; ← new for old; → old for new

| REF.No | Part No. | Description | Q'ty | S.No. | I/C | REMARKS | Weight (kgf) | Weight (lb) |
|--------|-------------|----------------|------|-------|-----|------------|--------------|-------------|
| 010 | 75585-64010 | CYLINDER 2 | 2 | | | | 12 | 26.4 |
| 020 | 75585-64100 | TUBE 2 COMP. | 2 | | | | 10.2 | 22.44 |
| 030 | 75585-64200 | ROD 2 COMP. | 2 | | | | 6.2 | 13.64 |
| 040 | 75585-52110 | HEAD | 2 | | | | 0 | 0 |
| 050 | 75585-32210 | PISTON | 2 | | | 2.50*0.88 | 0 | 0 |
| 060 | 75585-63360 | NUT | 2 | | | | 0.17 | 0.374 |
| 070 | 75585-52300 | KIT SEAL | 2 | | | | 0.035 | 0.077 |
| 080 | 75599-81531 | FITTING GREASE | 2 | | | 1/8-27NPTF | 0.007 | 0.0154 |
| 090 | 75540-63490 | PLUG | 4 | | | | 0.001 | 0.0022 |
| 100 | 75585-58790 | BUSHING 3 | 2 | | | | 0.2 | 0.44 |



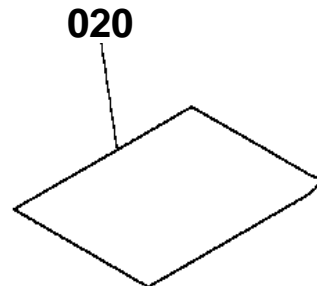
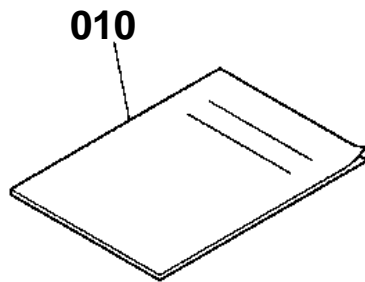
1G606-002-10



ACCESSORIES AND SERVICE PARTS

↔ Interchangeable; ≠ not interchangeable; ← new for old; → old for new

| REF.No | Part No. | Description | Q'ty | S.No. | I/C | REMARKS | Weight (kgf) | Weight (lb) |
|--------|-------------|----------------------|------|-------|-----|---------|--------------|-------------|
| 010 | 75585-69120 | OPERATOR'S MANUAL | 1 | | | ENGLISH | 0 | 0 |
| 010 | 75585-95920 | OPERATOR'S MANUAL(FR | 1 | | | FRENCH | 0 | 0 |



75585-031-10



ACCESSORIES AND SERVICE PARTS

↔ Interchangeable; ≠ not interchangeable; ← new for old; → old for new

| REF.No | Part No. | Description | Q'ty | S.No. | I/C | REMARKS | Weight (kgf) | Weight (lb) |
|--------|-------------|----------------------|------|-------|-----|---------|--------------|-------------|
| 010 | 75585-69122 | OPERATOR'S MANUAL | 1 | | | ENGLISH | 0 | 0 |
| 010 | 75585-95922 | OPERATOR'S MANUAL(FR | 1 | | | FRENCH | 0 | 0 |
| 020 | 75585-79850 | MANUAL INSTRUCTION | 1 | | | OPTION | 0 | 0 |