

Instructions for Parts Books

The heading at the top of the page will be the same for the picture of the parts at it is for the page with the part numbers.

Definition of column headings on part number pages:

REF.No → The number referring to the part on the picture page of the parts book.

Part No. → The number assigned to this part at the time of printing the parts book.

Description → Discription of part.

Q'ty → Quantity of part used on that page.

S.No. → Serial number range of the equipment that this part will fit.

>= Your serial number should be greater than or equal to the number shown.

<= Your serial number should be lesser than or equal to the serial number shown.

I/C → Interchangeability of part shown.

↔ The part shown will work for the older and later serial number.

The part shown is not interchangeable with the other serial number.

← new for old

→ old for new

Remarks → Notes about this particulart part. Sometimes this may say except [FR] or [CA]

Note about Country Codes:

The parts books we use in the United States of America may also contain information about a part that would be different in another country. It is important that you are aware of the country codes in some instances.

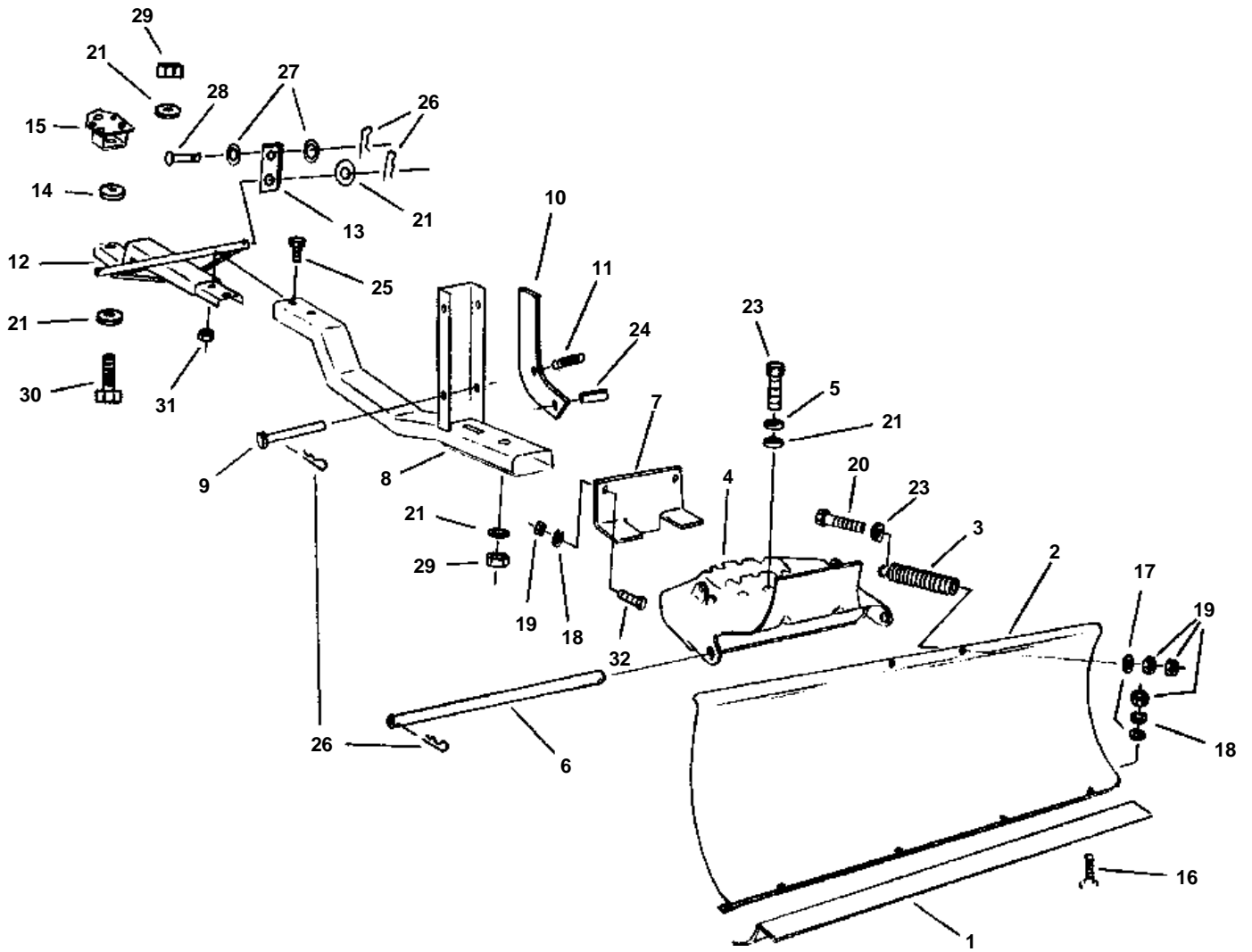
Symbol	Country
A	United States of America
CA	Canada
FR	France
GR	Greece
PO	Portugal
AU	Australia

If the remarks column says for example EXCEPT [FR] this part works in all countries except France. That means it will work here in the USA.

G2001 Front Blade

Part No.		Book
01001	G2001 COMPONENT PARTS	100Z0179
01002	DECALS & LOCATION	100Z0179

G2001 COMPONENT PARTS

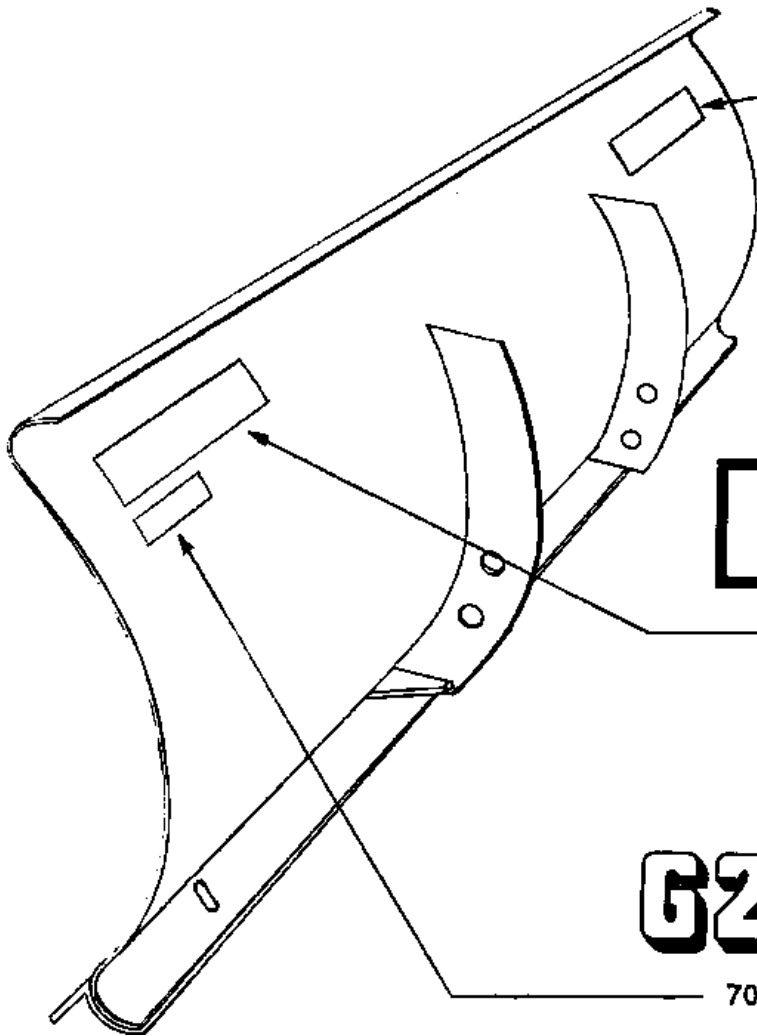




G2001 COMPONENT PARTS

↔ Interchangeable; ≠ not interchangeable; ← new for old; → old for new

REF.No	Part No.	Description	Q'ty	S.No.	I/C	REMARKS	Weight (kgf)	Weight (lb)
1	70050-93692	CUTTING EDGE/SKID	1				0	0
2	70050-93689	MOLDBOARD	1				0	0
3	70050-93677	SPRING TRIP	2				0	0
4	70050-93691	FRAME TILT	1				0	0
5	70050-93680	WASHER	1				0	0
6	70050-93693	ROD PIVOT -	1				0	0
7	70050-93695	BRACKET GUIDE	1				0	0
8	70050-93696	SUB-FRAME FRONT	1				0	0
9	70050-93679	CLEVIS PIN	1				0	0
10	70050-93694	LEVER ANGLE	1				0	0
11	70050-93681	SPRING TENSION	1				0	0
12	70050-93697	SUB-FRAME REAR	1				0	0
13	70050-93698	LIFT STRAP	2				0	0
14	70050-93678	GROMMET RUBBER	1				0	0
15	70050-93690	BRACKET REAR MOUNT	1				0	0
16	70000-74028	OBTAIN LOCALLY	4				0	0
17	70000-74028	OBTAIN LOCALLY	6				0	0
18	70000-74028	OBTAIN LOCALLY	6				0	0
19	70000-74028	OBTAIN LOCALLY	10				0	0
20	70000-74028	OBTAIN LOCALLY	2				0	0
21	70000-74028	OBTAIN LOCALLY	6				0	0
22	70000-74028	OBTAIN LOCALLY	2				0	0
23	70000-74028	OBTAIN LOCALLY	1				0	0
24	70000-74028	OBTAIN LOCALLY	1				0	0
25	70000-74028	OBTAIN LOCALLY	2				0	0
26	70050-02036	HAIR PIN CLIP	7				0	0
27	70000-74028	OBTAIN LOCALLY	4				0	0
28	70000-74028	OBTAIN LOCALLY	2				0	0
29	70000-74028	OBTAIN LOCALLY	2				0	0
30	70000-74028	OBTAIN LOCALLY	1				0	0
31	70000-74028	OBTAIN LOCALLY	2				0	0
32	70000-74028	OBTAIN LOCALLY	2				0	0



70050-02001

KUBOTA

70050-02370

G2001

70050-93651



DECALS & LOCATION

↔ Interchangeable; ≠ not interchangeable; ← new for old; → old for new

REF.No	Part No.	Description	Q'ty	S.No.	I/C	REMARKS	Weight (kgf)	Weight (lb)
1	70050-02370	LABEL KUBOTA	1				0	0
2	70050-93651	LABEL MODEL	1				0	0
3	70050-02001	SAFETY SIGN WARNING	1				0	0