

Instructions for Parts Books

The heading at the top of the page will be the same for the picture of the parts as it is for the page with the part numbers.

Definition of column headings on part number pages:

REF.No → The number referring to the part on the picture page of the parts book.

Part No. → The number assigned to this part at the time of printing the parts book.

Description → Description of part.

Q'ty → Quantity of part used on that page.

S.No. → Serial number range of the equipment that this part will fit.

>= Your serial number should be greater than or equal to the number shown.

<= Your serial number should be lesser than or equal to the serial number shown.

I/C → Interchangeability of part shown.

↔ The part shown will work for the older and later serial number.

The part shown is not interchangeable with the other serial number.

← new for old

→ old for new

Remarks → Notes about this particular part. Sometimes this may say except [FR] or [CA]

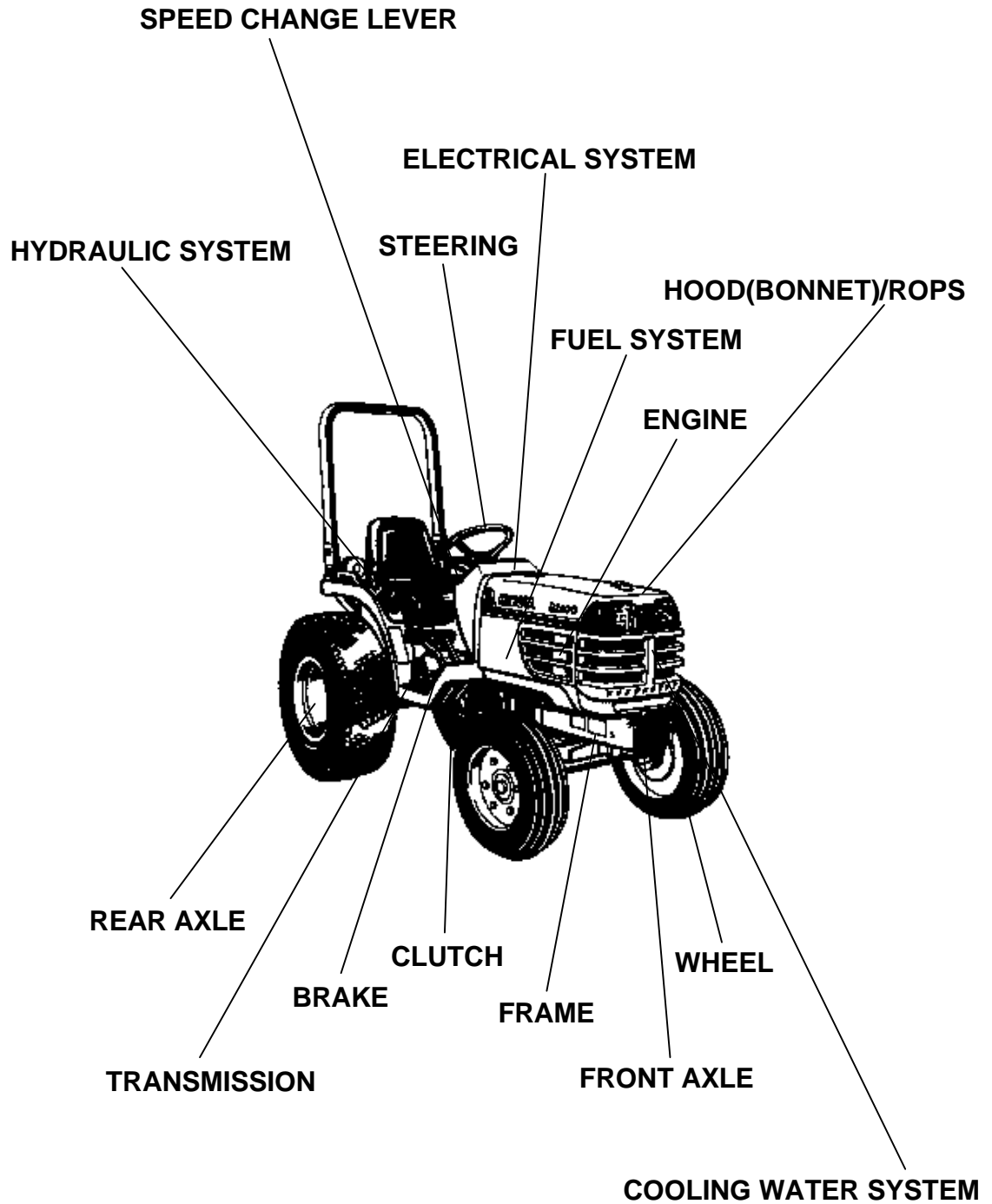
Note about Country Codes:

The parts books we use in the United States of America may also contain information about a part that would be different in another country. It is important that you are aware of the country codes in some instances.

| Symbol | Country |
|--------|--------------------------|
| A | United States of America |
| CA | Canada |
| FR | France |
| GR | Greece |
| PO | Portugal |
| AU | Australia |

If the remarks column says for example EXCEPT [FR] this part works in all countries except France. That means it will work here in the USA.

ALL PRODUCT INDEX
B2100E

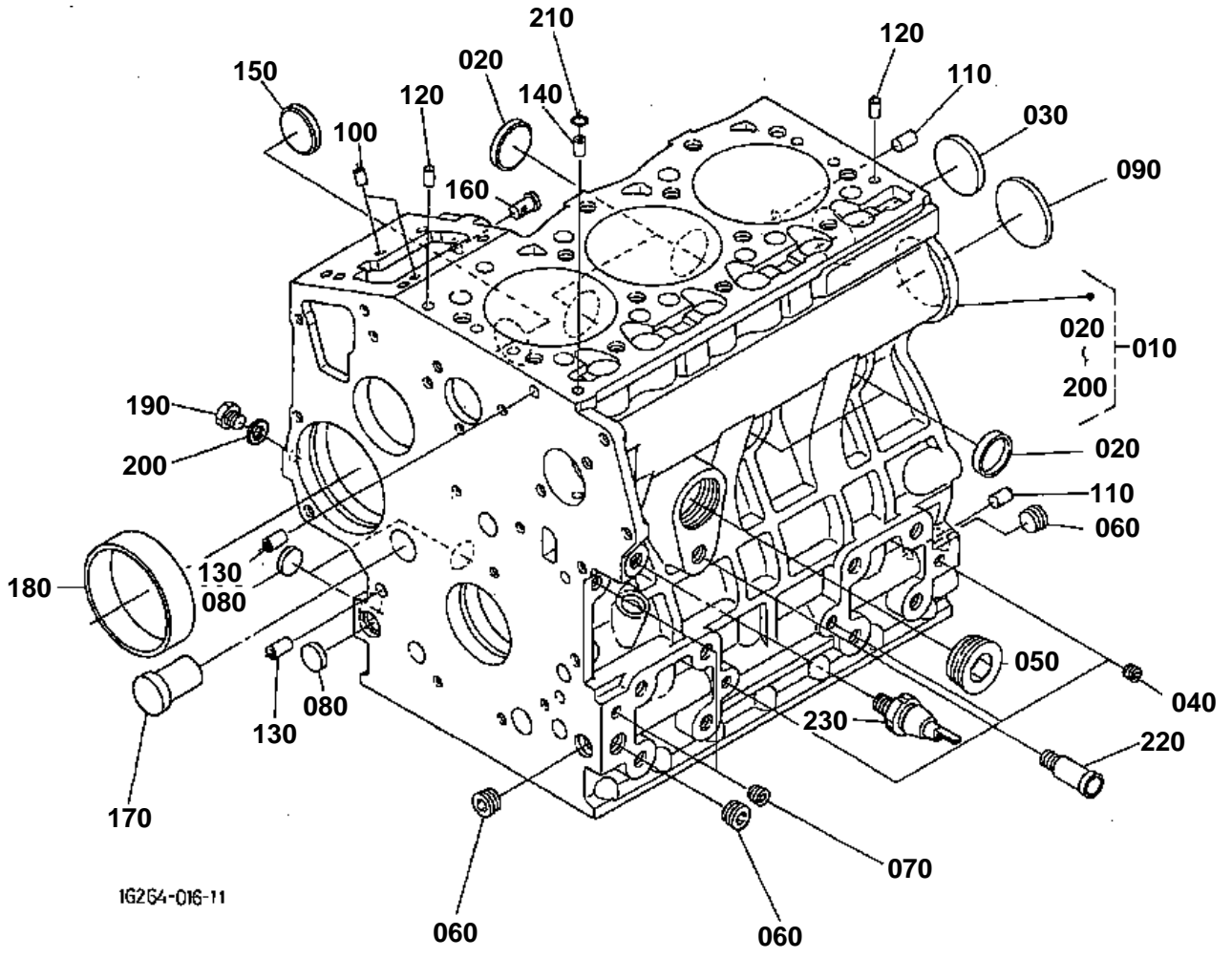


LABELS
ACCESSORIES
OPTION

| Item | Part No. | Description | Book | |
|-------------------|----------------------|---------------------------------------|-------------------------------|----------|
| ENGINE | 010001 | CRANKCASE | 100K0618 | |
| | 010002 | OIL PAN | 100K0618 | |
| | 010003 | CYLINDER HEAD | 100K0618 | |
| | 010004 | GEAR CASE | 100K0618 | |
| | 010005 | HEAD COVER | 100K0618 | |
| | 010100 | MAIN BEARING CASE | 100K0618 | |
| | 010101 | CAMSHAFT AND IDLE GEAR SHAFT | 100K0618 | |
| | 010102 | PISTON AND CRANK SHAFT | 100K0618 | |
| | 010103 | FLYWHEEL | 100K0618 | |
| | 010105 | FUEL CAMSHAFT AND GOVERNOR SHAFT | 100K0618 | |
| | 010201 | STOP SOLENOID | 100K0618 | |
| | 010202 | INJECTION PUMP | 100K0618 | |
| | 010204 | GOVERNOR | 100K0618 | |
| | 010205 | SPEED CONTROL PLATE | 100K0618 | |
| | 010206 | NOZZLE HOLDER AND GLOW PLUG | 100K0618 | |
| | 010207 | NOZZLE HOLDER [COMPONENT PARTS] | 100K0618 | |
| | 010500 | WATER FLANGE AND THERMOSTAT | 100K0618 | |
| | 010501 | WATER PUMP | 100K0618 | |
| | 010600 | VALVE AND ROCKER ARM | 100K0618 | |
| | 010601 | INLET MANIFOLD | 100K0618 | |
| | 010602 | EXHAUST MANIFOLD | 100K0618 | |
| | 02060302 | AIR CLEANER | 100K0618 | |
| | 02060303 | AIR CLEANER (DOUBLE) [OPTION] | 100K0618 | |
| | 020605 | MUFFLER | 100K0618 | |
| | 01090001 | UPPER GASKET KIT | 100K0618 | |
| | 01090002 | LOWER GASKET KIT | 100K0618 | |
| | 01090003 | LOWER GASKET KIT | 100K0618 | |
| | FUEL SYSTEM | 02A001 | ACCELERATOR LEVER | 100K0618 |
| | | 02A101 | FUEL TANK | 100K0618 |
| | | 02A11001 | FUEL PIPE | 100K0618 |
| | COOLING WATER SYSTEM | 02A130 | FUEL FILTER [COMPONENT PARTS] | 100K0618 |
| | | 02A401 | FAN | 100K0618 |
| | | 02A410 | WATER PIPE | 100K0618 |
| ELECTRICAL SYSTEM | 02A420 | RADIATOR | 100K0618 | |
| | 02A515 | ALTERNATOR [CA] | 100K0618 | |
| | 02A520 | ALTERNATOR [COMPONENT PARTS] [CA] | 100K0618 | |
| | 01A521 | DYNAMO | 100K0618 | |
| | 01A523 | DYNAMO [COMPONENT PARTS] | 100K0618 | |
| | 02A525 | STARTER | 100K0618 | |
| | 02A530 | STARTER [COMPONENT PARTS] | 100K0618 | |
| | 02A535 | BATTERY | 100K0618 | |
| | 02B115 | PANEL BOARD | 100K0618 | |
| | 02B120 | PANEL BOARD [COMPONENT PARTS] | 100K0618 | |
| | 02B301 | HEAD LIGHT | 100K0618 | |
| | 02B302 | TAIL LIGHT/HAZARD LIGHT/WORKING LIGHT | 100K0618 | |
| | 02B50101 | ELECTRICAL WIRING | 100K0618 | |
| | 02B50102 | ELECTRICAL WIRING [CA] | 100K0618 | |
| | CLUTCH | 01C101 | CLUTCH | 100K0618 |
| 02C110 | | CLUTCH ROD | 100K0618 | |
| 02C301 | | CLUTCH PEDAL | 100K0618 | |
| 02C401 | | CLUTCH HOUSING | 100K0618 | |
| FRAME | 02C415 | FRAME | 100K0618 | |
| | 02C420 | TRANSMISSION CASE | 100K0618 | |
| TRANSMISSION | 02C425 | DIFFERENTIAL GEAR CASE | 100K0618 | |
| | 02C427 | REAR AXLE CASE | 100K0618 | |
| | 02D001 | CLUTCH SHAFT/PROPELLER SHAFT | 100K0618 | |
| | 02D105 | 2ND SHAFT/3RD SHAFT/4TH SHAFT | 100K0618 | |
| | 02D135 | 5TH SHAFT/PTO SHAFT | 100K0618 | |
| | 02D137 | MID PTO | 100K0618 | |

| Item | Part No. | Description | Book | |
|--------------------|-------------------|---------------------------------------|-----------------------|----------|
| REAR AXLE | 02D140 | REAR DIFFERENTIAL | 100K0618 | |
| | 02D143 | FRONT WHEEL PROPELLER SHAFT | 100K0618 | |
| | 02D201 | MAIN GEAR SHIFT FORK | 100K0618 | |
| BRAKE | 02D301 | REAR AXLE | 100K0618 | |
| | 02E001 | BRAKE | 100K0618 | |
| | 02E015 | PARKING BRAKE LEVER | 100K0618 | |
| SPEED CHANGE LEVER | 02F101 | MAIN GEAR SHIFT LEVER | 100K0618 | |
| | 02F110 | RANGE GEAR SHIFT LEVER | 100K0618 | |
| | 02F113 | FRONT WHEEL DRIVE LEVER | 100K0618 | |
| | 02F125 | PTO GEAR SHIFT LEVER | 100K0618 | |
| | 02F140 | POSITON CONTROL LEVER | 100K0618 | |
| | 02F201 | BRAKE PEDAL | 100K0618 | |
| | 02F205 | DIFFERENTIAL LOCK PEDAL | 100K0618 | |
| FRONT AXLE | 02G101 | FRONT AXLE FRAME | 100K0618 | |
| | 02G103 | FRONT WHEEL HUB | 100K0618 | |
| STEERING | 02H001 | KNUCKLE ARM | 100K0618 | |
| | 02H101 | STEERING HANDLE | 100K0618 | |
| | 02H110 | STEERING CONTROLLER | 100K0618 | |
| HYDRAULIC SYSTEM | 02H11503 | STEERING CONTROLLER [COMPONENT PARTS] | 100K0618 | |
| | 01J120 | HYDRAULIC PUMP | 100K0618 | |
| | 01J125 | HYDRAULIC PUMP [COMPONENT PARTS] | 100K0618 | |
| | 02J201 | HYDRAULIC OIL LINE(SUCTION) | 100K0618 | |
| | 02J203 | FLOW DIVIDER VALVE [COMPONENT PARTS] | 100K0618 | |
| | 02J215 | HYDRAULIC OIL LINE(STEERING) | 100K0618 | |
| | 02J301 | HYDRAULIC CYLINDER CASE | 100K0618 | |
| | 02J405 | CONTROL VALVE | 100K0618 | |
| | 02J41002 | CONTROL VALVE [COMPONENT PARTS] | 100K0618 | |
| | 02K101 | LIFT ROD | 100K0618 | |
| | 02K115 | LOWER LINK | 100K0618 | |
| | 02K120 | TOP LINK | 100K0618 | |
| | HOOD(BONNET)/ROPS | 02M101 | FRONT GRILLE | 100K0618 |
| 02M105 | | HOOD(BONNET) | 100K0618 | |
| 02M120 | | SIDE COVER | 100K0618 | |
| 02M210 | | FENDER | 100K0618 | |
| 02M217 | | SEAT SUPPORT | 100K0618 | |
| 02M220 | | SEAT | 100K0618 | |
| 02M225 | | STEP | 100K0618 | |
| 02M301 | | ROPS | 100K0618 | |
| WHEEL | | 02R10101 | FRONT WHEEL (5.00-10) | 100K0618 |
| | | 02R11002 | REAR WHEEL (9.5-16) | 100K0618 |
| | 02R11004 | REAR WHEEL (33*12.5-15) | 100K0618 | |
| | 02R11005 | REAR WHEEL (31*15.5-15) | 100K0618 | |
| LABELS | 02S101 | LABEL | 100K0618 | |
| ACCESSORIES | 02T105 | ACCESSORIES AND SERVICE PARTS | 100K0618 | |
| OPTION | 02U803 | STATER RELAY KIT [OPTION] | 100K0618 | |

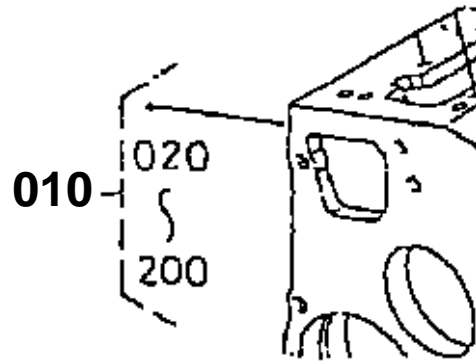
CRANKCASE



010 16611-0101-0

010 16612-0101-0

010 16613-0101-2



16224-807-20

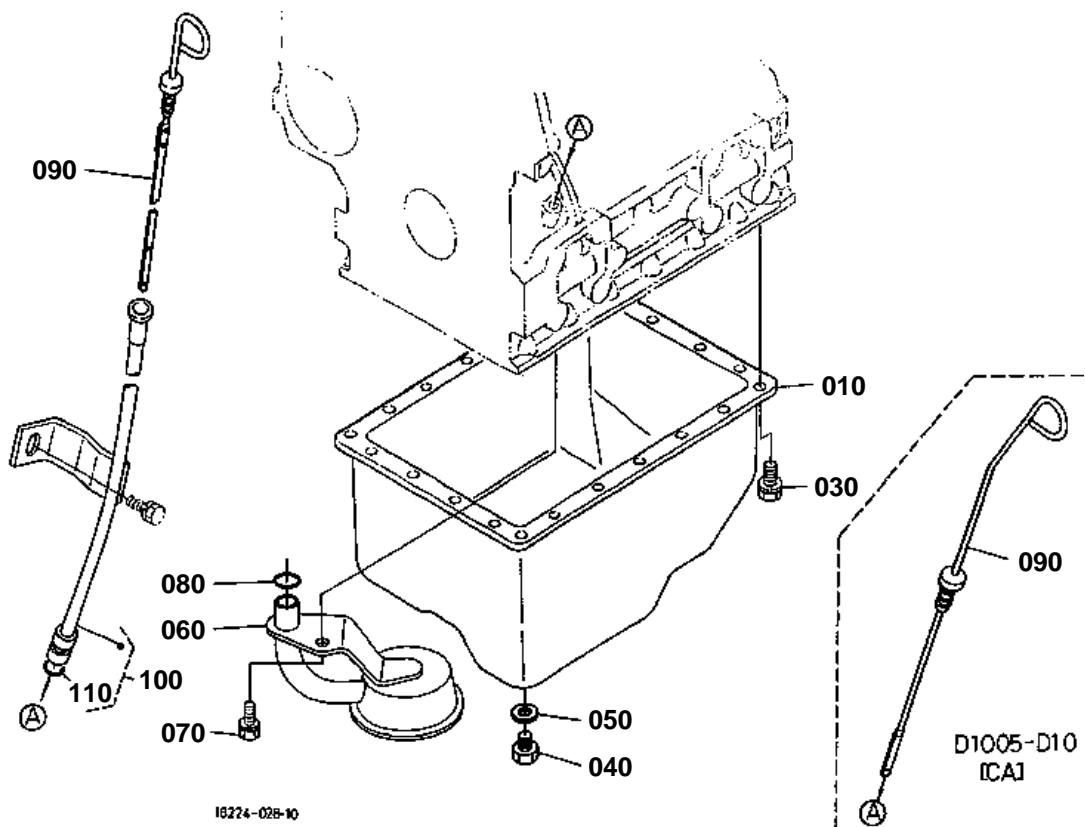


CRANKCASE

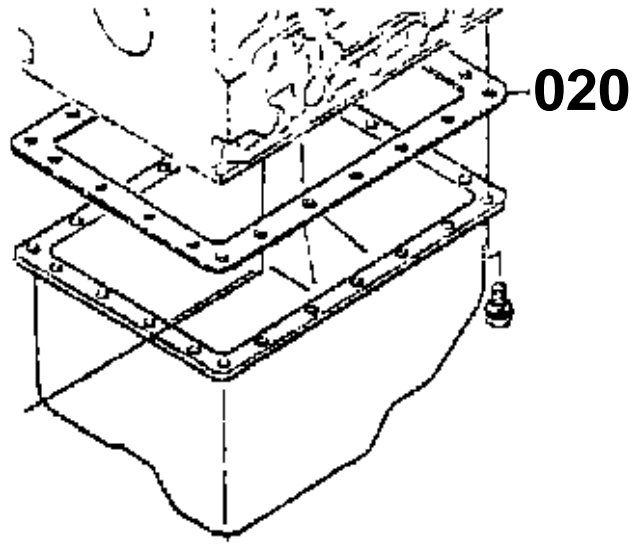
↔ Interchangeable; ≠ not interchangeable; ← new for old; → old for new

| REF.No | Part No. | Description | Q'ty | S.No. | I/C | REMARKS | Weight (kgf) | Weight (lb) |
|--------|-------------|--------------------|------|----------|-----|---------|--------------|-------------|
| 010 | 16612-01015 | COMP.CRANKCASE | 1 | <=YK0004 | | | 32 | 70.4 |
| 010 | 16612-01013 | COMP.CRANKCASE | 1 | >=YE0001 | ← | | 0 | 0 |
| 010 | 16612-01015 | COMP.CRANKCASE | 1 | >=YL0001 | ← | | 32 | 70.4 |
| 010 | 16612-01016 | COMP.CRANKCASE | 1 | >=1G0001 | ← | | 31.75 | 69.85 |
| 020 | 15451-96270 | CAP SEALING | 4 | | | | 0.001 | 0.0022 |
| 030 | 15221-03490 | CAP SEALING | 1 | | | | 0.02 | 0.044 |
| 040 | 15261-96010 | PLUG | 3 | | | | 0.002 | 0.0044 |
| 050 | 16683-96020 | PLUG | 1 | | | | 0.07 | 0.154 |
| 060 | 16241-96010 | PLUG | 3 | | | | 0.007 | 0.0154 |
| 070 | 15521-96020 | PLUG | 2 | | | | 0.003 | 0.0066 |
| 080 | 17391-96160 | PLUG EXPANSION | 3 | | | | 0.003 | 0.0066 |
| 090 | 16271-96160 | PLUG EXPANSION | 1 | | | | 0.025 | 0.055 |
| 100 | 05012-00508 | PIN STRAIGHT | 2 | <=WT2678 | | | 0.001 | 0.0022 |
| 100 | 16225-94510 | PIN STRAIGHT | 2 | >=WU0001 | ↔ | | 0 | 0 |
| 110 | 05012-00814 | PIN STRAIGHT | 2 | <=WT2678 | | | 0.006 | 0.0132 |
| 110 | 16221-94530 | PIN STRAIGHT | 2 | >=WU0001 | ↔ | | 0.006 | 0.0132 |
| 120 | 05012-00610 | PIN STRAIGHT | 2 | <=WT2678 | | | 0.003 | 0.0066 |
| 120 | 16221-94520 | PIN STRAIGHT | 2 | >=WU0001 | ↔ | | 0.005 | 0.011 |
| 130 | 15231-33960 | PIN PIPE | 2 | | | | 0.001 | 0.0022 |
| 140 | 16241-33650 | PIN PIPE | 1 | | | | 0.002 | 0.0044 |
| 150 | 16241-96260 | PLUG | 1 | <=781870 | | | 0 | 0 |
| 150 | 16241-96260 | PLUG | 1 | >=10001 | | | 0 | 0 |
| 150 | 16241-96262 | PLUG FUEL CAMSHAFT | 1 | >=49890 | ← | | 0.007 | 0.0154 |
| 160 | 16261-56280 | PIN START SPRING | 1 | | | | 0.004 | 0.0088 |
| 170 | 16282-96010 | PLUG | 1 | | | | 0.09 | 0.198 |
| 180 | 16271-55350 | BUSH GOVERNOR GEAR | 1 | | | | 0.06 | 0.132 |
| 190 | 15221-33610 | PLUG | 1 | | | | 0.009 | 0.0198 |
| 200 | 15021-33660 | GASKET | 1 | | | | 0.001 | 0.0022 |
| 210 | 15221-33700 | O RING | 1 | | | | 0.001 | 0.0022 |
| 220 | 15321-73340 | PIPE WATER RETURN | 1 | | | | 0.016 | 0.0352 |
| 230 | 15531-39010 | SWITCH OIL | 1 | | | | 0.032 | 0.0704 |

OIL PAN



020 16266-0162-0



16216-800-10

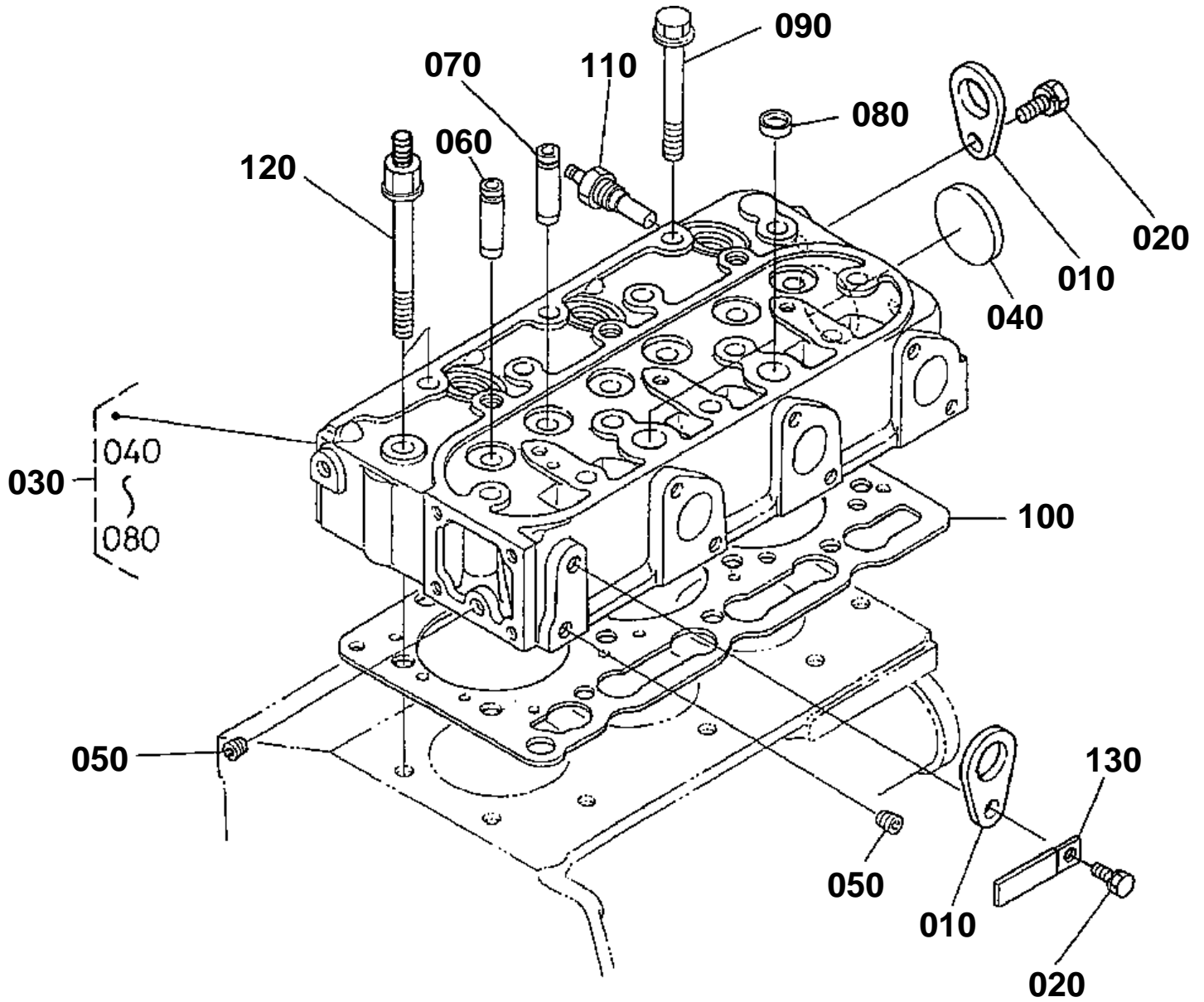


OIL PAN

↔ Interchangeable; ≠ not interchangeable; ← new for old; → old for new

| REF.No | Part No. | Description | Q'ty | S.No. | I/C | REMARKS | Weight (kgf) | Weight (lb) |
|--------|-------------|----------------------|------|----------|-----|---------|--------------|-------------|
| 010 | 6C040-58920 | COMP.OIL PAN | 1 | | | | 1.2 | 2.64 |
| 020 | 16266-01620 | GASKET OIL PAN | 1 | ≤=741870 | | | 0.028 | 0.0616 |
| 020 | 16266-01620 | GASKET OIL PAN | 1 | ≥=10001 | | | 0.028 | 0.0616 |
| 020 | 16266-01620 | GASKET OIL PAN | 1 | ≤=15685 | | | 0.028 | 0.0616 |
| 030 | 01023-50612 | BOLT | 22 | | | | 0.005 | 0.011 |
| 040 | 15221-33750 | PLUG | 1 | | | | 0.032 | 0.0704 |
| 050 | 15109-33660 | GASKET | 1 | ≤=WP2119 | | | 0.001 | 0.0022 |
| 050 | 6C090-58960 | GASKET | 1 | ≥=WQ0001 | ↔ | | 0.002 | 0.0044 |
| 060 | 16261-32110 | FILTER OIL | 1 | ≤=741870 | | | 0 | 0 |
| 060 | 16261-32110 | FILTER OIL | 1 | ≥=10001 | | | 0 | 0 |
| 060 | 16261-32113 | FILTER OIL | 1 | ≥=25929 | ← | | 0 | 0 |
| 060 | 16261-32114 | FILTER OIL | 1 | ≥=WJ0001 | ← | | 0.21 | 0.462 |
| 070 | 01123-60816 | BOLT | 1 | | | | 0.01 | 0.022 |
| 080 | 04816-00160 | O RING | 1 | ≤=WH4333 | | | 0.003 | 0.0066 |
| 080 | 04814-00160 | O RING | 1 | ≥=WJ0001 | ← | | 0.001 | 0.0022 |
| 090 | 16216-36410 | GAUGE OIL | 1 | ≤=741870 | | [A] | 0 | 0 |
| 090 | 16216-36410 | GAUGE OIL | 1 | ≥=10001 | | [A] | 0 | 0 |
| 090 | 16216-36412 | GAUGE OIL | 1 | ≥=139736 | ← | [A] | 0.03 | 0.066 |
| 090 | 16224-36410 | GAUGE OIL | 1 | | | [CA] | 0.057 | 0.1254 |
| 100 | 16216-36500 | ASSY GUIDE OIL GAUGE | 1 | | | [A] | 0.14 | 0.308 |
| 110 | 04814-00090 | O RING | 1 | | | [A] | 0.001 | 0.0022 |

CYLINDER HEAD



16216-009-20

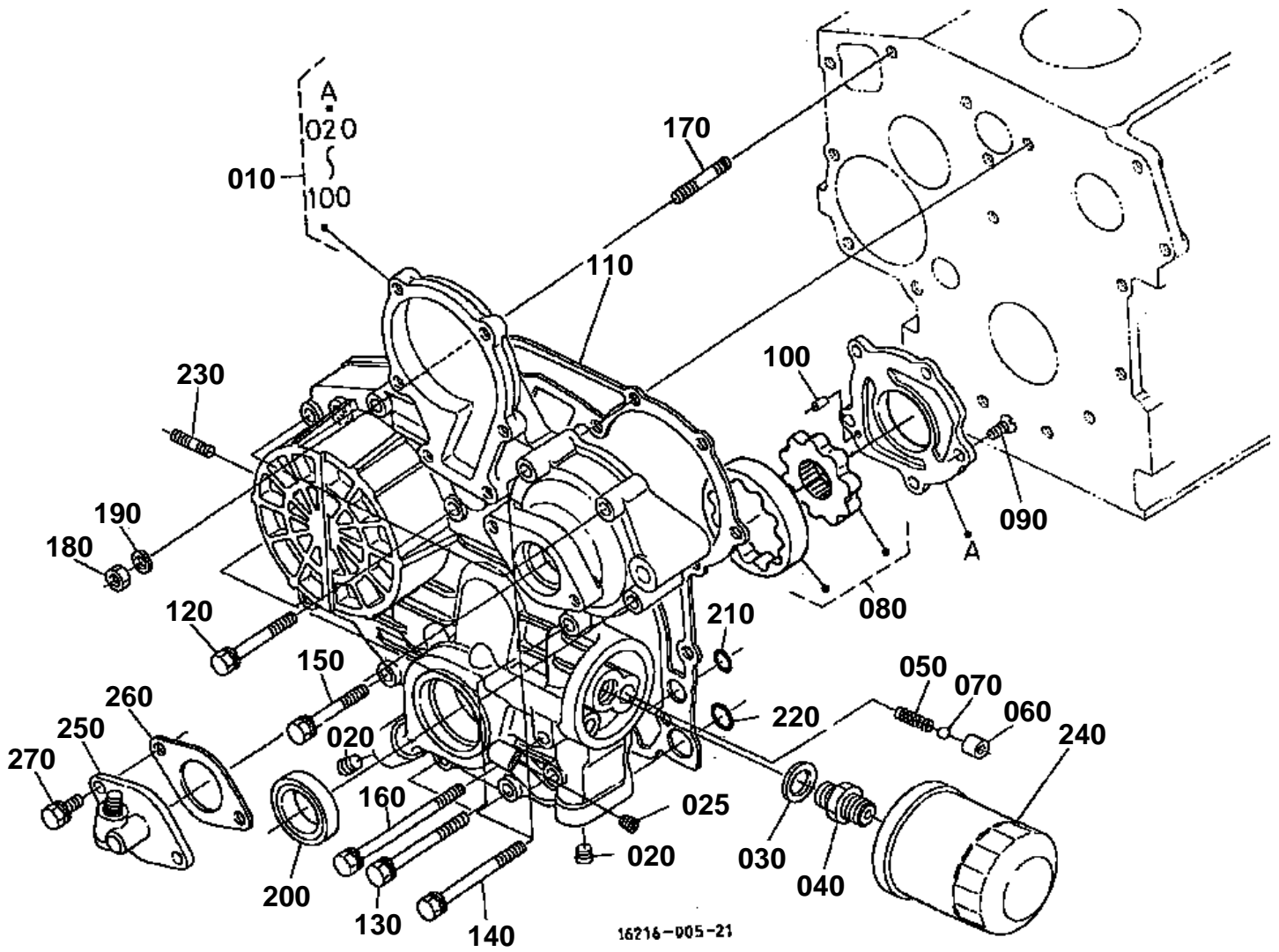


CYLINDER HEAD

↔ Interchangeable; ≠ not interchangeable; ← new for old; → old for new

| REF.No | Part No. | Description | Q'ty | S.No. | I/C | REMARKS | Weight (kgf) | Weight (lb) |
|--------|-------------|----------------------|------|-------|-----|---------|--------------|-------------|
| 010 | 15221-01750 | HOOK ENGINE | 2 | | | | 0.04 | 0.088 |
| 020 | 01123-60814 | BOLT | 2 | | | | 0.01 | 0.022 |
| 030 | 16027-03040 | COMP.CYLINDER HEAD | 1 | | | | 8.72 | 19.184 |
| 040 | 15321-96260 | CAP SEALING | 1 | | | | 0.001 | 0.0022 |
| 050 | 15261-96010 | PLUG | 2 | | | | 0.002 | 0.0044 |
| 060 | 16241-13540 | GUIDE INLET VALVE | 3 | | | | 0.02 | 0.044 |
| 070 | 16241-13560 | GUIDE EXHAUST VALVE | 3 | | | | 0.01 | 0.022 |
| 080 | 15261-03370 | CAP SEALING | 2 | | | | 0.005 | 0.011 |
| 090 | 16241-03450 | BOLT CYLINDER HEAD | 12 | | | | 0.07 | 0.154 |
| 100 | 16231-03310 | GASKET CYLINDER HEAD | 1 | | | | 0.07 | 0.154 |
| 110 | 31351-32830 | SENSOR THERMO | 1 | | | | 0.02 | 0.044 |
| 120 | 16216-03450 | BOLT CYLINDER HEAD | 2 | | | | 0.07 | 0.154 |
| 130 | 52200-41160 | CLAMP CORD | 1 | | | | 0.01 | 0.022 |

GEAR CASE



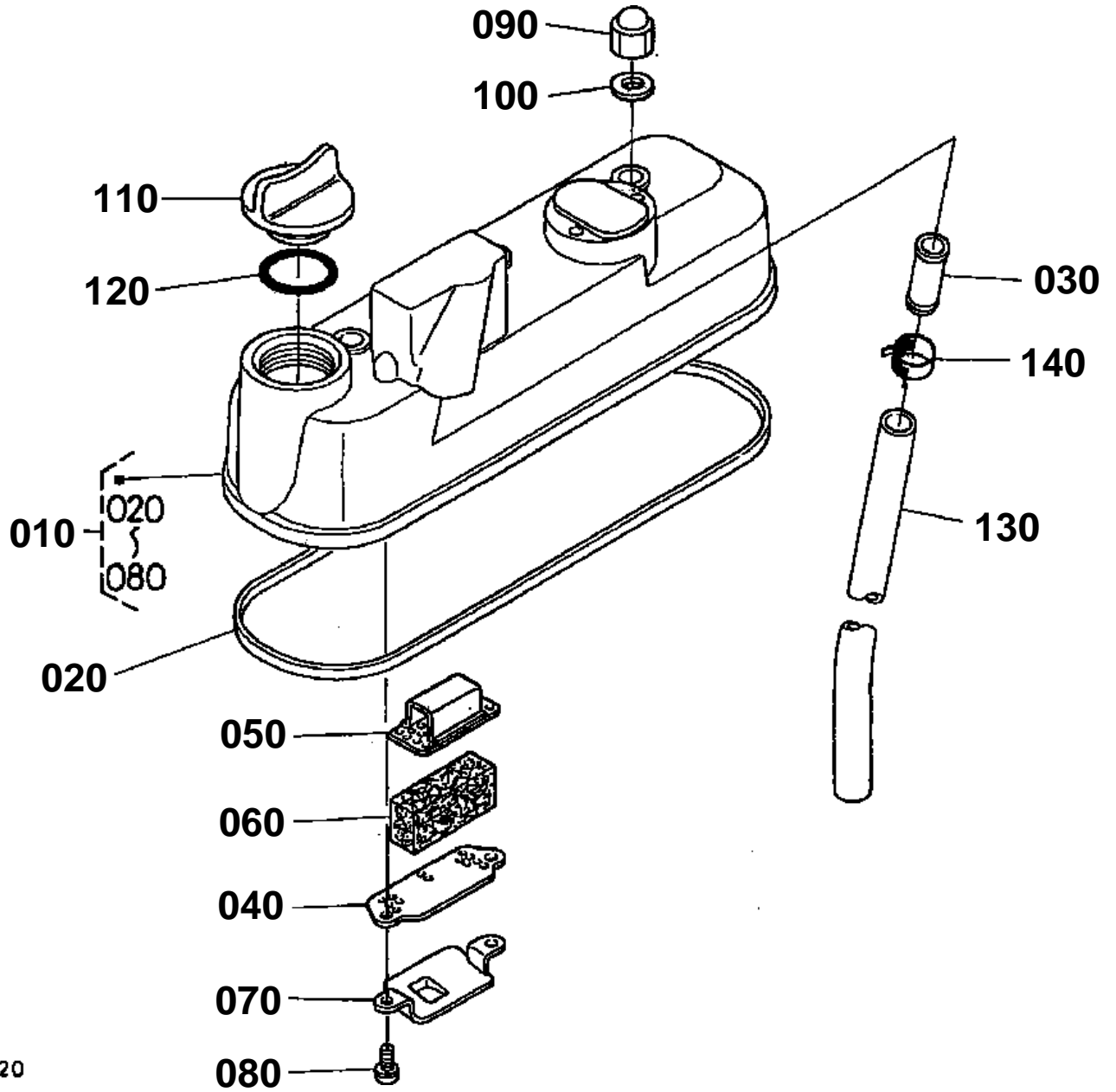


GEAR CASE

↔ Interchangeable; ≠ not interchangeable; ← new for old; → old for new

| REF.No | Part No. | Description | Q'ty | S.No. | I/C | REMARKS | Weight (kgf) | Weight (lb) |
|--------|-------------|---------------------|------|----------|-----|---------|--------------|-------------|
| 010 | 16216-04025 | COMP.CASE GEAR | 1 | | | [A] | 0 | 0 |
| 010 | 16251-04020 | COMP.CASE GEAR | 1 | | | [CA] | 2.5 | 5.5 |
| 020 | 16241-96020 | PLUG | 2 | | | | 0.015 | 0.033 |
| 025 | 15521-96020 | PLUG | 1 | >=XG0001 | | | 0.003 | 0.0066 |
| 030 | 04011-50180 | WASHER PLAIN | 1 | | | | 0.012 | 0.0264 |
| 040 | 15241-32290 | JOINT PIPE | 1 | | | | 0.053 | 0.1166 |
| 050 | 16241-36950 | SPRING | 1 | | | | 0.015 | 0.033 |
| 060 | 16241-36930 | SEAT VALVE | 1 | | | | 0.032 | 0.0704 |
| 070 | 07715-00201 | BALL | 1 | | | | 0.008 | 0.0176 |
| 080 | 16241-35070 | ASSY ROTOR OIL PUMP | 1 | | | | 0.27 | 0.594 |
| 090 | 03017-50620 | SCREW CR-REC-BD-HD | 5 | | | | 0.005 | 0.011 |
| 100 | 05012-00410 | PIN STRAIGHT | 2 | | | | 0.001 | 0.0022 |
| 110 | 16264-04130 | GASKET GEAR CASE | 1 | | | | 0.01 | 0.022 |
| 120 | 01023-50645 | BOLT | 3 | | | | 0.01 | 0.022 |
| 130 | 01023-60650 | BOLT | 4 | | | | 0.015 | 0.033 |
| 140 | 01023-50655 | BOLT | 4 | | | | 0.012 | 0.0264 |
| 150 | 01023-50665 | BOLT | 1 | | | | 0.015 | 0.033 |
| 160 | 16241-91040 | BOLT | 1 | | | | 0.015 | 0.033 |
| 170 | 01513-50645 | BOLT STUD | 1 | <=WH4333 | | | 0.011 | 0.0242 |
| 170 | 16245-91530 | STUD | 1 | >=WJ0001 | ↔ | | 0.01 | 0.022 |
| 180 | 02056-50060 | NUT | 1 | | | | 0.002 | 0.0044 |
| 190 | 04512-60060 | WASHER SPRING | 1 | | | | 0.001 | 0.0022 |
| 200 | 16241-04212 | SEAL OIL | 1 | | | | 0.012 | 0.0264 |
| 210 | 04816-06100 | O RING | 2 | <=WH4333 | | | 0.001 | 0.0022 |
| 210 | 04814-06100 | O RING | 2 | >=WJ0001 | | | 0.003 | 0.0066 |
| 220 | 04816-00150 | O RING | 2 | <=WH4333 | | | 0.003 | 0.0066 |
| 220 | 04814-00150 | O RING | 2 | >=WJ0001 | | | 0.001 | 0.0022 |
| 230 | 01513-50616 | BOLT STUD | 2 | <=WH4333 | | | 0.004 | 0.0088 |
| 230 | 16245-91540 | STUD | 2 | >=WJ0001 | ↔ | | 0.005 | 0.011 |
| 240 | 15241-32090 | ASSY CARTRIDGE OIL | 1 | | | | 0.35 | 0.77 |
| 250 | 58417-25950 | ASSY GEAR CASE H/M | 1 | | | | 0.29 | 0.638 |
| 260 | 16264-88130 | GASKET H/METER UNIT | 1 | | | | 0.002 | 0.0044 |
| 270 | 01023-50618 | BOLT | 2 | | | | 0.006 | 0.0132 |

HEAD COVER



16216-006-20

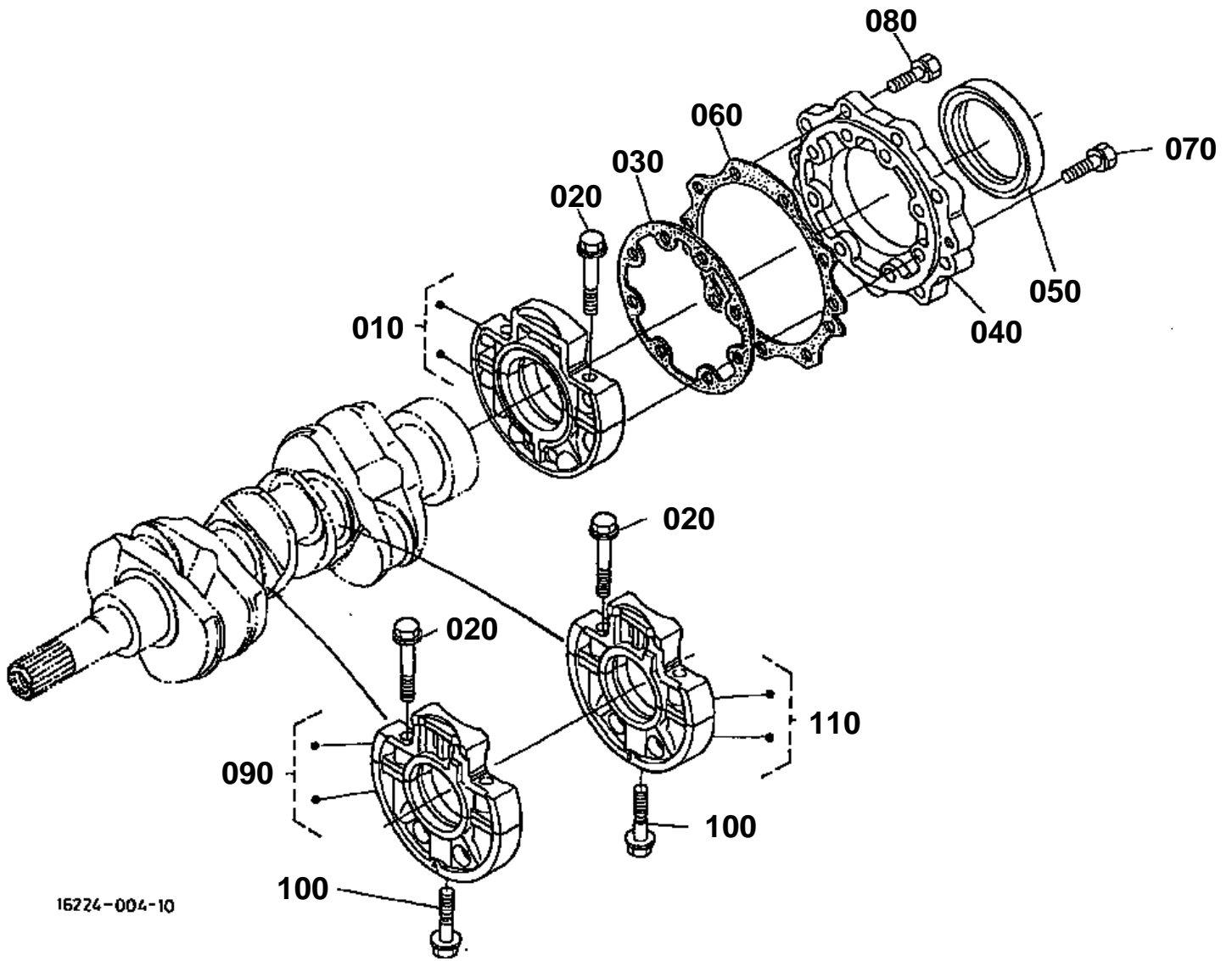


HEAD COVER

↔ Interchangeable; ≠ not interchangeable; ← new for old; → old for new

| REF.No | Part No. | Description | Q'ty | S.No. | I/C | REMARKS | Weight (kgf) | Weight (lb) |
|--------|-------------|----------------------|------|---------|-----|---------|--------------|-------------|
| 010 | 16261-14503 | ASSY COVER CYL.HEAD | 1 | | | | 0.78 | 1.716 |
| 020 | 16261-14520 | GASKET HEAD COVER | 1 | | | | 0.01 | 0.022 |
| 030 | 16241-05550 | JOINT BREATHER PIPE | 1 | | | | 0.02 | 0.044 |
| 040 | 16241-05140 | PLATE B/THER ELEMENT | 1 | | | | 0.005 | 0.011 |
| 050 | 16241-05150 | PLATE B/THER ELEMENT | 1 | | | | 0.01 | 0.022 |
| 060 | 16241-05670 | ELEMENT BREATHER | 1 | | | | 0.01 | 0.022 |
| 070 | 16241-05370 | OIL SHIELD BREATHER | 1 | | | | 0.01 | 0.022 |
| 080 | 03024-50510 | SCREW WITH WASHER | 2 | | | | 0.002 | 0.0044 |
| 090 | 15952-92330 | NUT | 3 | | | | 0.01 | 0.022 |
| 100 | 15951-96660 | GASKET | 3 | | | | 0.001 | 0.0022 |
| 110 | 15852-33140 | PLUG OIL FILLER | 1 | | | | 0.038 | 0.0836 |
| 120 | 04816-50300 | O RING | 1 | ≤WH4333 | | | 0.001 | 0.0022 |
| 120 | 04814-50300 | O RING | 1 | ≥WJ0001 | ← | | 0.001 | 0.0022 |
| 130 | 16271-05510 | PIPE BREATHER | 1 | | | | 0.06 | 0.132 |
| 140 | 16241-33510 | BAND PIPE | 1 | | | | 0.005 | 0.011 |

MAIN BEARING CASE



15224-004-10

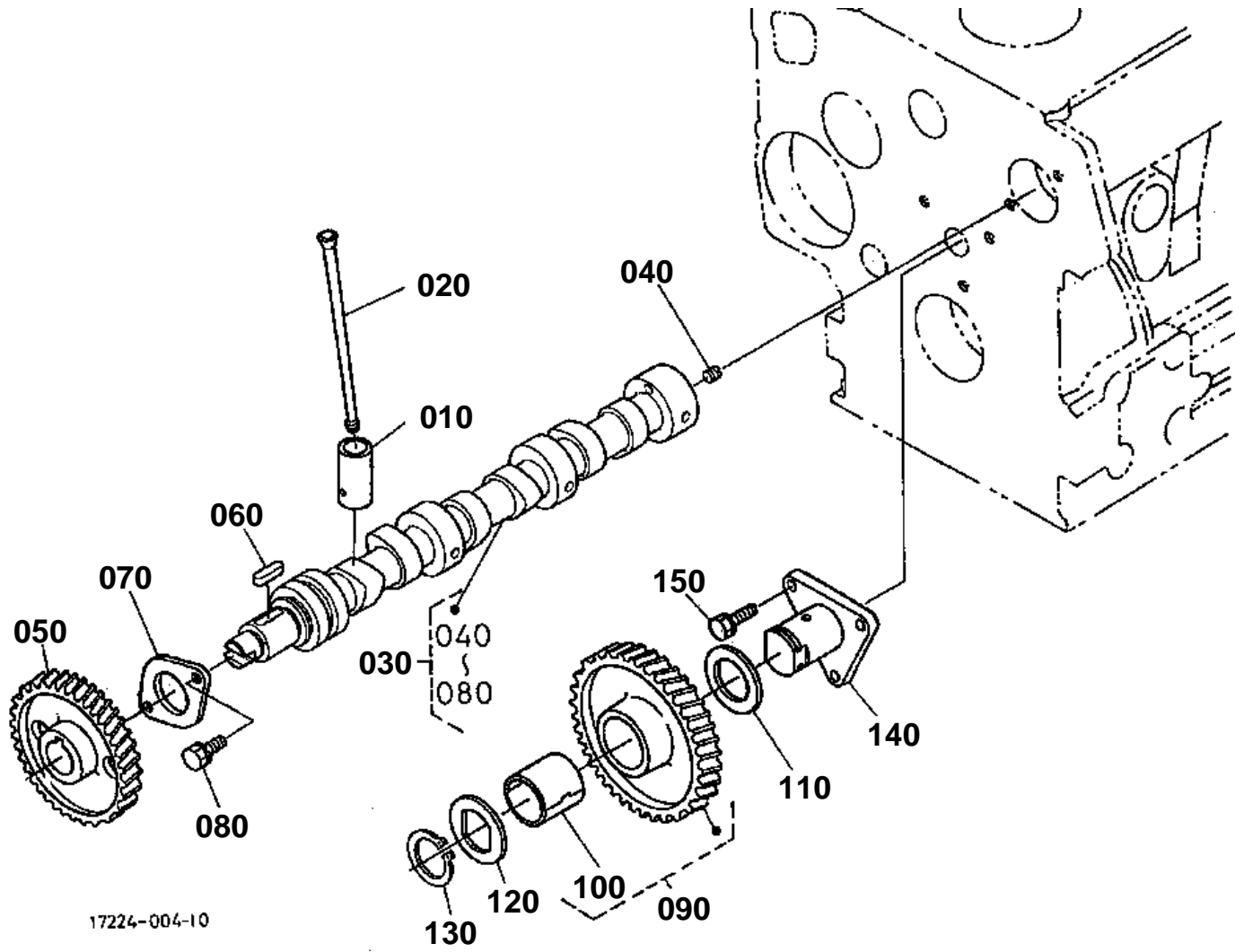


MAIN BEARING CASE

↔ Interchangeable; ≠ not interchangeable; ← new for old; → old for new

| REF.No | Part No. | Description | Q'ty | S.No. | I/C | REMARKS | Weight (kgf) | Weight (lb) |
|--------|-------------|---------------------|------|----------|-----|----------|--------------|-------------|
| 010 | 16241-04092 | ASSY CASE MAIN BRG. | 1 | | | | 1.13 | 2.486 |
| 020 | 16241-04540 | BOLT BEARING CASE | 6 | | | | 0.02 | 0.044 |
| 030 | 16264-04360 | GASKET BRG.CASE | 1 | | | | 0.002 | 0.0044 |
| 040 | 16241-04813 | COVER BEARING CASE | 1 | | | | 0.22 | 0.484 |
| 050 | 16271-04460 | SEAL OIL | 1 | | | | 0.04 | 0.088 |
| 060 | 16264-04820 | GASKET | 1 | | | | 0.008 | 0.0176 |
| 070 | 01023-50625 | BOLT | 8 | <=1Q7969 | | | 0.007 | 0.0154 |
| 070 | 01754-50622 | BOLT FLANGE | 8 | >=1S0005 | ≠ | | 0.007 | 0.0154 |
| 080 | 01023-50620 | BOLT | 9 | <=1Q7969 | | | 0.006 | 0.0132 |
| 080 | 01754-50622 | BOLT FLANGE | 9 | >=1S0005 | ≠ | | 0.007 | 0.0154 |
| 090 | 16271-04040 | ASSY CASE MAIN BRG. | 1 | <=681218 | | NOT SALE | 0 | 0 |
| 090 | 16261-04040 | ASSY CASE MAIN BRG. | 1 | >=681219 | ↔ | | 0.9 | 1.98 |
| 100 | 16241-04560 | BOLT BEARING CASE | 2 | | | | 0.03 | 0.066 |
| 110 | 16261-04050 | ASSY CASE MAIN BRG. | 1 | <=681218 | | NOT SALE | 1.11 | 2.442 |
| 110 | 16261-04050 | ASSY CASE MAIN BRG. | 1 | >=681219 | ↔ | | 1.11 | 2.442 |

CAMSHAFT AND IDLE GEAR SHAFT



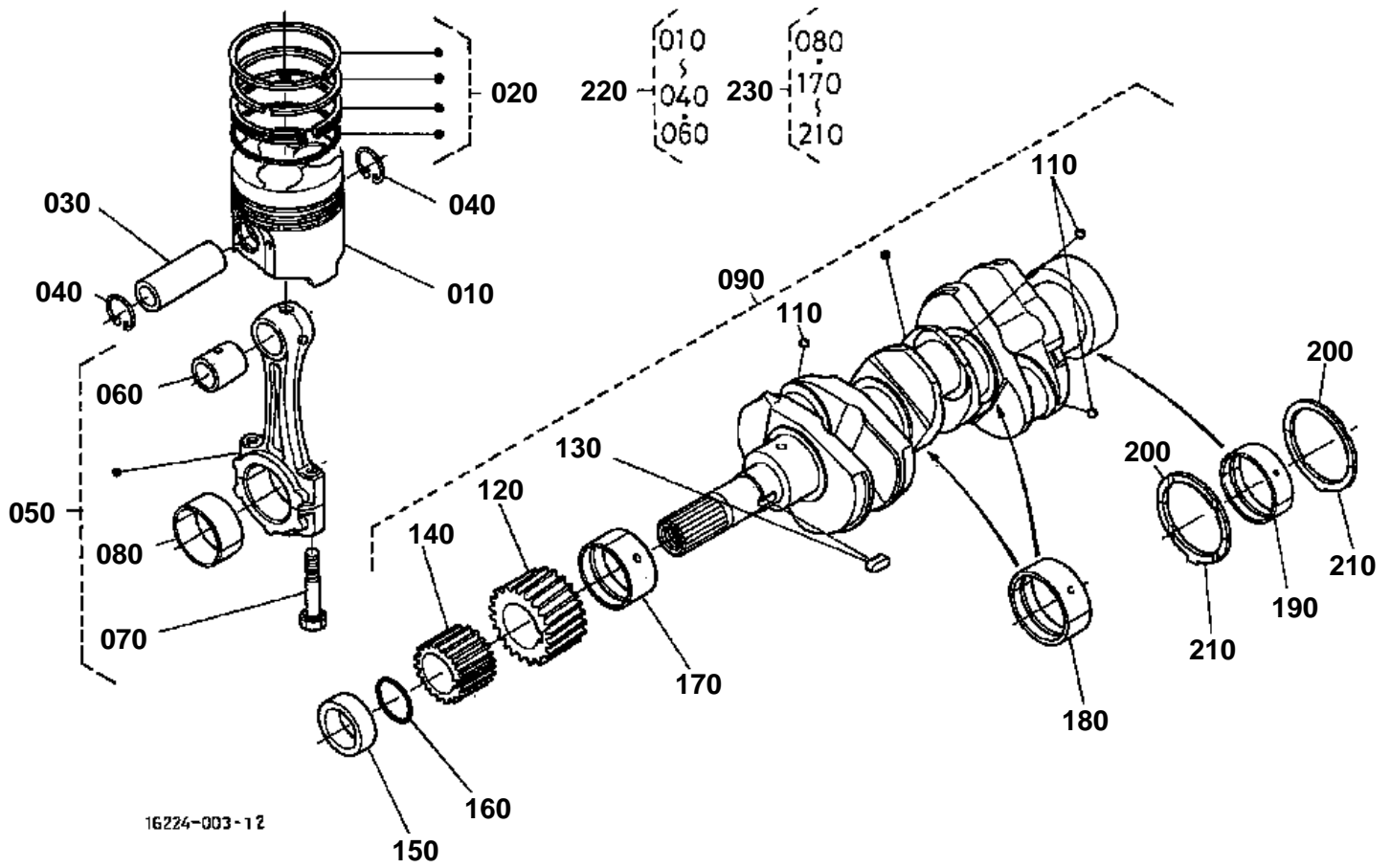


CAMSHAFT AND IDLE GEAR SHAFT

↔ Interchangeable; ≠ not interchangeable; ← new for old; → old for new

| REF.No | Part No. | Description | Q'ty | S.No. | I/C | REMARKS | Weight (kgf) | Weight (lb) |
|--------|-------------|--------------------|------|-------|-----|---------|--------------|-------------|
| 010 | 16261-15550 | TAPPET | 6 | | | | 0.035 | 0.077 |
| 020 | 16241-15110 | PUSH ROD | 6 | | | | 0.03 | 0.066 |
| 030 | 16261-16010 | ASSY CAMSHAFT | 1 | | | | 0 | 0 |
| 040 | 15521-93610 | SCREW SET | 1 | | | | 0.002 | 0.0044 |
| 050 | 16241-16510 | GEAR CAM | 1 | | | | 0.45 | 0.99 |
| 060 | 05712-00518 | KEY FEATHER | 1 | | | | 0.003 | 0.0066 |
| 070 | 16241-16270 | STOPPER CAMSHAFT | 1 | | | | 0.04 | 0.088 |
| 080 | 01023-50614 | BOLT | 2 | | | | 0.005 | 0.011 |
| 090 | 16251-24010 | COMP GEAR IDLE | 1 | | | | 0.63 | 1.386 |
| 100 | 16251-24980 | BUSH IDLE GEAR | 1 | | | | 0.035 | 0.077 |
| 110 | 16251-24360 | COLLAR IDLE GEAR | 1 | | | | 0.012 | 0.0264 |
| 120 | 15741-24370 | COLLAR IDLE GEAR | 1 | | | | 0.015 | 0.033 |
| 130 | 15741-24320 | CIR CLIP IDLE GEAR | 1 | | | | 0.01 | 0.022 |
| 140 | 16251-24250 | SHAFT IDLE GEAR | 1 | | | | 0.36 | 0.792 |
| 150 | 01023-50616 | BOLT | 3 | | | | 0.005 | 0.011 |

PISTON AND CRANK SHAFT



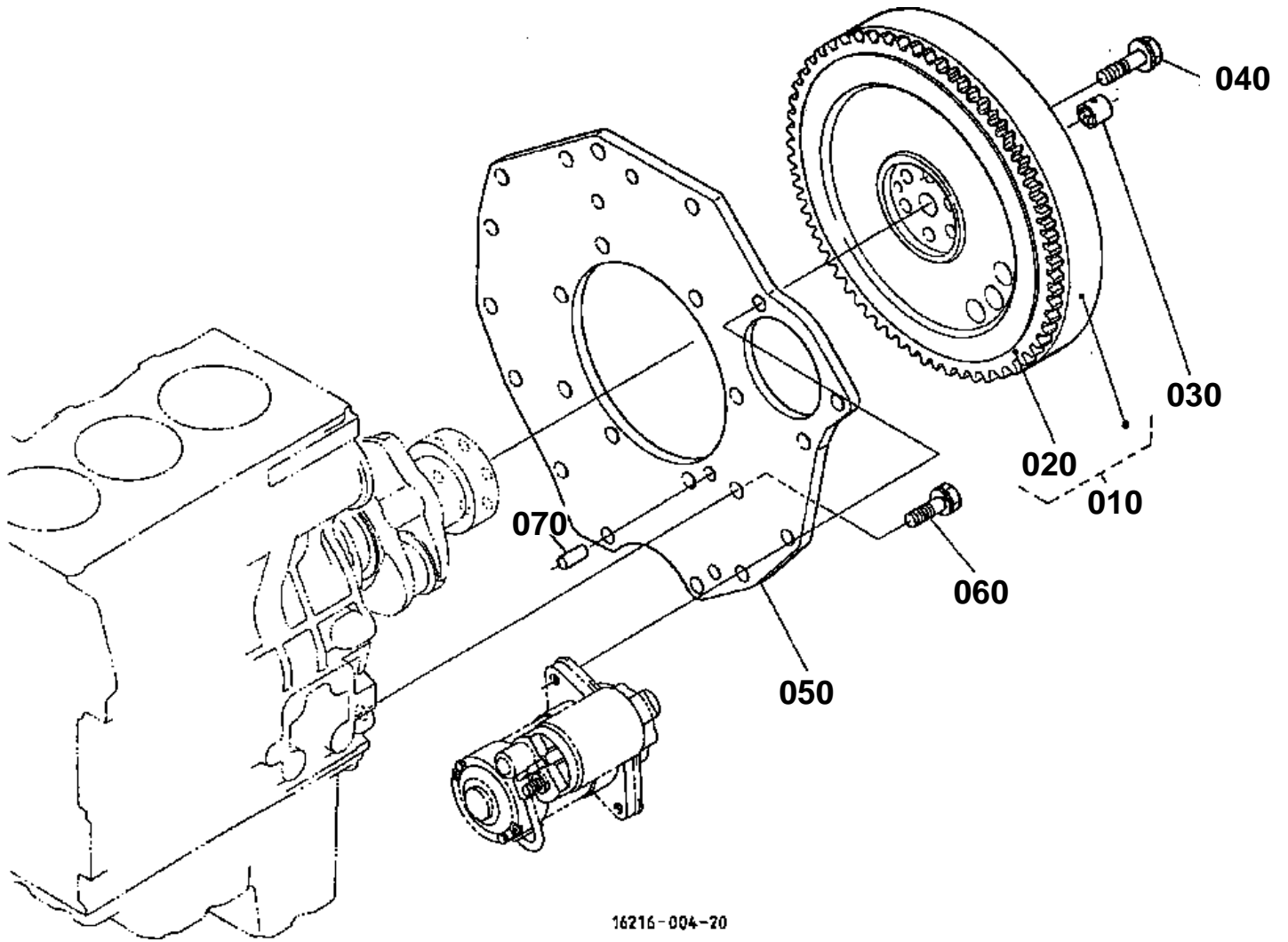


PISTON AND CRANK SHAFT

↔ Interchangeable; ≠ not interchangeable; ← new for old; → old for new

| REF.No | Part No. | Description | Q'ty | S.No. | I/C | REMARKS | Weight (kgf) | Weight (lb) |
|--------|-------------|---------------------|------|----------|-----|-----------------|--------------|-------------|
| 010 | 16050-21110 | PISTON | 3 | | | STD | 0.4 | 0.88 |
| 010 | 16050-21910 | PISTON | 3 | | | +0.50mm | 0.4 | 0.88 |
| 020 | 16271-21050 | ASSY PISTON RING | 3 | | | STD | 0.05 | 0.11 |
| 020 | 16271-21090 | ASSY PISTON RING | 3 | | | +0.50mm | 0.15 | 0.33 |
| 030 | 16241-21310 | PIN PISTON | 3 | | | | 0.135 | 0.297 |
| 040 | 16241-21330 | CIR CLIP PISTON PIN | 6 | | | | 0.002 | 0.0044 |
| 050 | 16241-22012 | ASSY ROD CONNECTING | 3 | | | | 0.545 | 1.199 |
| 060 | 16241-21980 | BUSH PISTON PIN | 3 | | | | 0 | 0 |
| 070 | 16241-22142 | BOLT CONNECTING ROD | 6 | | | | 0.024 | 0.0528 |
| 080 | 16241-22310 | METAL CRANKPIN | 3 | | | STD SET | 0.038 | 0.0836 |
| 080 | 16241-22970 | METAL CRANKPIN | 3 | | | -0.20mm SET | 0.08 | 0.176 |
| 080 | 16241-22980 | METAL CRANKPIN | 3 | | | -0.40mm SET | 0.1 | 0.22 |
| 090 | 16231-23013 | COMP.CRANKSHAFT | 1 | | | | 8.5 | 18.7 |
| 100 | 99999-99999 | BLANK | 0 | | | | 0 | 0 |
| 110 | 07715-00401 | BALL | 3 | | | | 0.001 | 0.0022 |
| 120 | 16241-24110 | GEAR CRANK | 1 | | | | 0.15 | 0.33 |
| 130 | 16271-95230 | KEY | 1 | | | | 0.005 | 0.011 |
| 140 | 16241-35630 | GEAR OIL PUMP DRIVE | 1 | | | | 0.102 | 0.2244 |
| 150 | 16271-23250 | COLLAR CRANKSHAFT | 1 | | | | 0.055 | 0.121 |
| 160 | 04811-10280 | O RING | 1 | ≤=WH4333 | | | 0.001 | 0.0022 |
| 160 | 04814-10280 | RING | 1 | ≥=WJ0001 | ← | | 0.001 | 0.0022 |
| 170 | 16241-23470 | METAL CRANKSHAFT | 1 | | | STD | 0.06 | 0.132 |
| 170 | 16241-23910 | METAL CRANKSHAFT | 1 | | | -0.20mm | 0.03 | 0.066 |
| 170 | 16241-23920 | METAL CRANKSHAFT | 1 | | | -0.40mm | 0.068 | 0.1496 |
| 180 | 16241-23480 | METAL CRANKSHAFT | 2 | | | STD SET | 0.05 | 0.11 |
| 180 | 16241-23930 | METAL CRANKSHAFT | 2 | | | -0.20mm SET | 0.1 | 0.22 |
| 180 | 16241-23940 | METAL CRANKSHAFT | 2 | | | -0.40mm SET | 0.05 | 0.11 |
| 190 | 16241-23490 | METAL CRANKSHAFT | 1 | ≤=XC9968 | | STD SET | 0 | 0 |
| 190 | 16292-23490 | METAL CRANKSHAFT | 1 | ≥=XE0001 | ↔ | STD SET | 0.07 | 0.154 |
| 190 | 16241-23860 | METAL CRANKSHAFT | 1 | ≤=XC9968 | | -0.20mm SET | 0.1 | 0.22 |
| 190 | 16292-23860 | METAL CRANKSHAFT | 1 | ≥=XE0001 | ↔ | -0.20mm SET | 0.05 | 0.11 |
| 190 | 16241-23870 | METAL CRANKSHAFT | 1 | ≤=XC9968 | | -0.40mm SET | 0.068 | 0.1496 |
| 190 | 16292-23870 | METAL CRANKSHAFT | 1 | ≥=XE0001 | ↔ | -0.40mm SET | 0.05 | 0.11 |
| 200 | 15521-23530 | METAL SIDE | 2 | | | STD | 0.01 | 0.022 |
| 200 | 15521-23950 | METAL SIDE | 2 | | | +0.20mm | 0.01 | 0.022 |
| 200 | 15521-23960 | METAL SIDE | 2 | | | +0.40mm | 0.01 | 0.022 |
| 210 | 19202-23540 | METAL SIDE | 2 | | | STD | 0.01 | 0.022 |
| 210 | 19202-23970 | METAL SIDE | 2 | | | +0.20mm | 0.01 | 0.022 |
| 210 | 19202-23980 | METAL SIDE | 2 | | | +0.40mm | 0.01 | 0.022 |
| 220 | 07916-26840 | KIT RING PISTON | 3 | | | STD | 0 | 0 |
| 220 | 07916-26850 | KIT RING PISTON | 3 | | | +0.50mm | 0 | 0 |
| 230 | 07916-28240 | KIT METAL ENGINE | 1 | | | STD | 0.1 | 0.22 |
| 230 | 07916-28760 | KIT METAL ENGINE | 1 | | | -0.20mm/+0.20mm | 0.34 | 0.748 |
| 230 | 07916-28770 | KIT METAL ENGINE | 1 | | | -0.40mm/+0.40mm | 0.36 | 0.792 |

FLYWHEEL

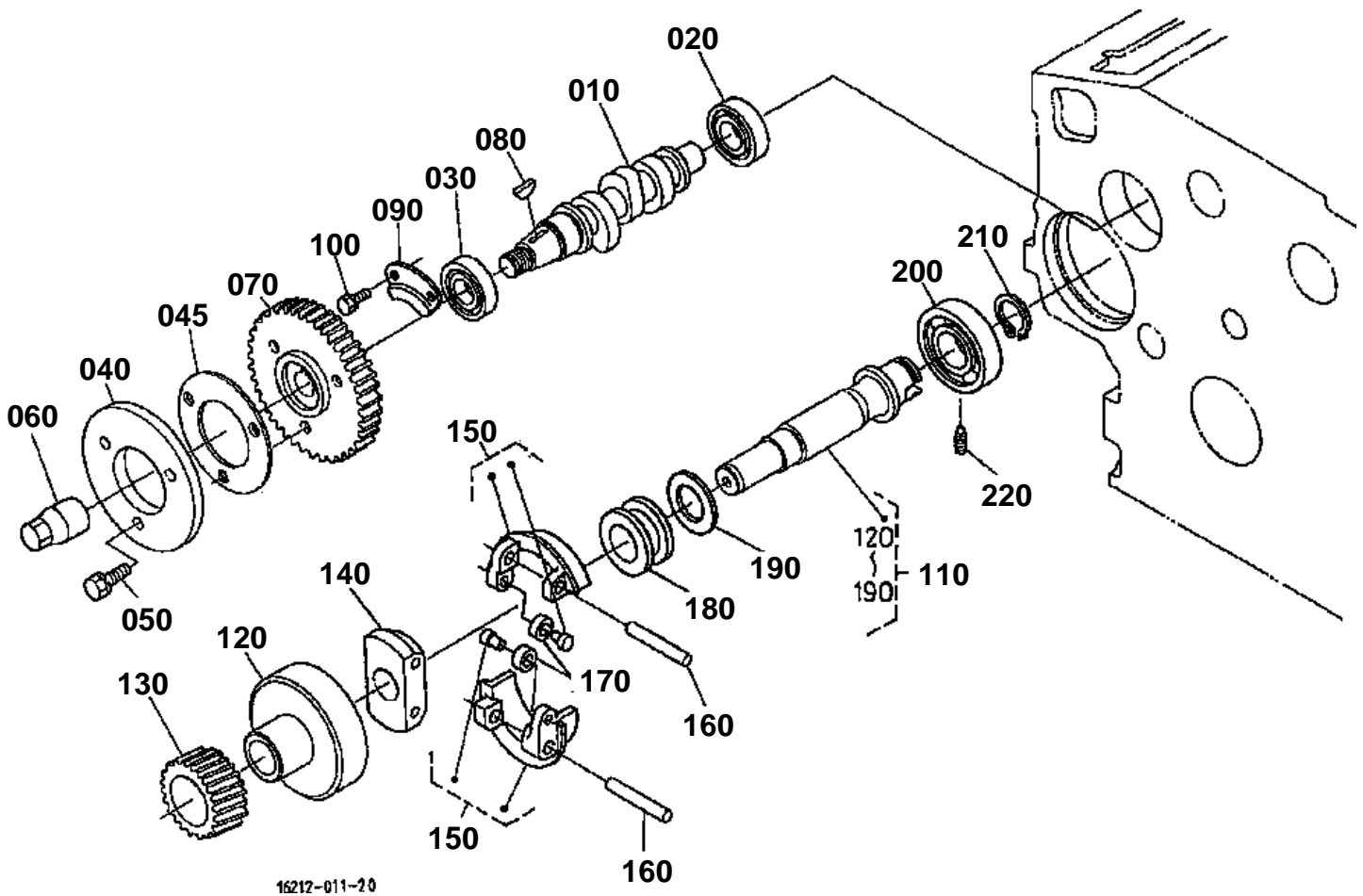


16216-004-20

**FLYWHEEL**

↔ Interchangeable; ≠ not interchangeable; ← new for old; → old for new

| REF.No | Part No. | Description | Q'ty | S.No. | I/C | REMARKS | Weight (kgf) | Weight (lb) |
|--------|-------------|----------------|------|----------|-----|---------|--------------|-------------|
| 010 | 16261-25014 | COMP.FLYWHEEL | 1 | | | | 0 | 0 |
| 010 | 16261-25015 | COMP.FLYWHEEL | 1 | | ← | | 17.2 | 37.84 |
| 020 | 16261-63820 | GEAR RING | 1 | | | | 0 | 0 |
| 020 | 16261-63822 | GEAR RING | 1 | | ← | | 0.79 | 1.738 |
| 030 | 66621-14120 | BEARING DRY | 1 | | | | 0.006 | 0.0132 |
| 040 | 16271-25160 | BOLT FLYWHEEL | 6 | | | | 0.036 | 0.0792 |
| 050 | 6C040-58912 | PLATE REAR END | 1 | | | | 3.64 | 8.008 |
| 060 | 15261-91190 | BOLT | 8 | | | | 0.03 | 0.066 |
| 070 | 05012-00814 | PIN STRAIGHT | 1 | <=WT2678 | | | 0.006 | 0.0132 |
| 070 | 16221-94530 | PIN STRAIGHT | 1 | >=WU0001 | ↔ | | 0.006 | 0.0132 |



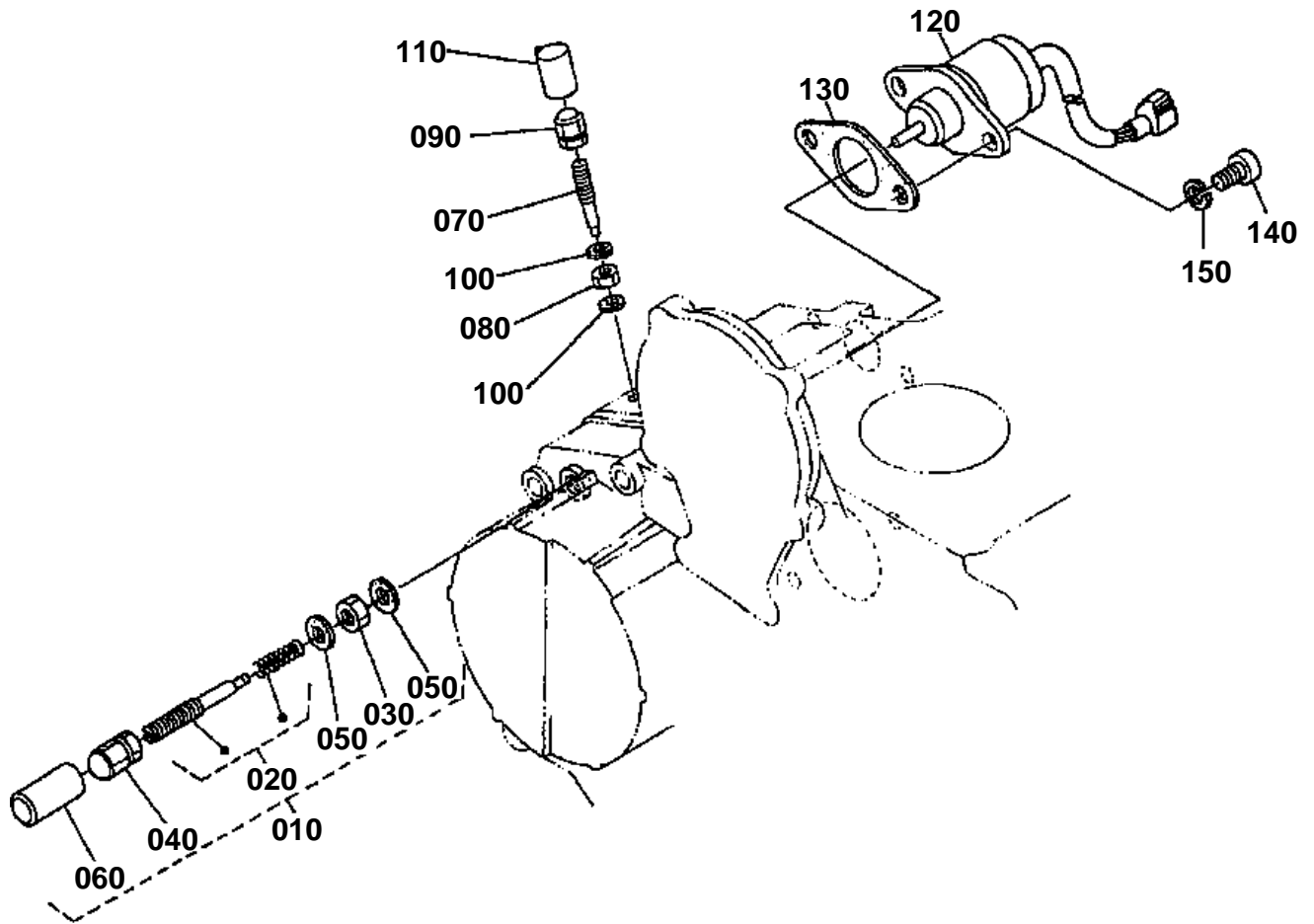


FUEL CAMSHAFT AND GOVERNOR SHAFT

↔ Interchangeable; ≠ not interchangeable; ← new for old; → old for new

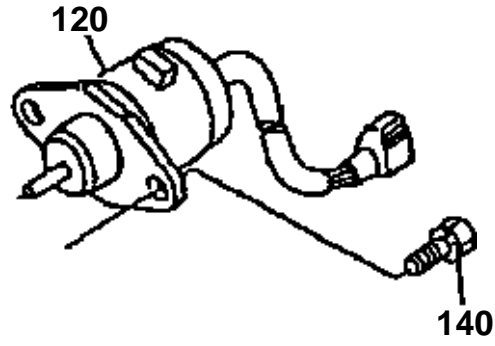
| REF.No | Part No. | Description | Q'ty | S.No. | I/C | REMARKS | Weight (kgf) | Weight (lb) |
|--------|-------------|----------------------|------|-------|-----|---------|--------------|-------------|
| 010 | 16020-16170 | CAMSHAFT FUEL | 1 | | | | 0.38 | 0.836 |
| 020 | 08103-06202 | BEARING BALL | 1 | | | | 0.05 | 0.11 |
| 030 | 08153-06204 | BEARING BALL | 1 | | | | 0.11 | 0.242 |
| 040 | 16241-51113 | CAM FUEL | 1 | | | | 0.196 | 0.4312 |
| 045 | 16241-51190 | WASHER | 1 | | | | 0.029 | 0.0638 |
| 050 | 01023-50618 | BOLT | 3 | | | | 0.006 | 0.0132 |
| 060 | 16241-92330 | NUT | 1 | | | | 0.035 | 0.077 |
| 070 | 16272-51150 | GEAR INJECTION PUMP | 1 | | | | 0.49 | 1.078 |
| 080 | 16241-95230 | KEY WOODRUFF | 1 | | | | 0.001 | 0.0022 |
| 090 | 16241-16320 | STOPPER FUEL.C/SHAFT | 1 | | | | 0.04 | 0.088 |
| 100 | 01023-50612 | BOLT | 2 | | | | 0.005 | 0.011 |
| 110 | 16265-55013 | ASSY SHAFT GOVERNOR | 1 | | | | 1.22 | 2.684 |
| 120 | 16241-55392 | HOLDER GOVERNOR GEAR | 1 | | | | 0.34 | 0.748 |
| 130 | 16282-55320 | GEAR GOVERNOR | 1 | | | | 0.24 | 0.528 |
| 140 | 16241-55270 | HOLDER GOV.WEIGHT | 1 | | | | 0.085 | 0.187 |
| 150 | 16241-55062 | COMP.WEIGHT GOVERNOR | 2 | | | | 0.085 | 0.187 |
| 160 | 16241-55260 | SHAFT GOV. WEIGHT | 2 | | | | 0.013 | 0.0286 |
| 170 | 19484-55440 | ROLLER | 2 | | | | 0.005 | 0.011 |
| 180 | 16241-55450 | SLEEVE GOVERNOR | 1 | | | | 0.04 | 0.088 |
| 190 | 16241-55463 | WASHER THRUST | 1 | | | | 0.005 | 0.011 |
| 200 | 08101-06304 | BEARING BALL | 1 | | | | 0.146 | 0.3212 |
| 210 | 16271-55410 | CIR CLIP GOV.SHAFT | 1 | | | | 0.005 | 0.011 |
| 220 | 16241-55554 | SCREW SET | 1 | | | | 0.007 | 0.0154 |

STOP SOLENOID



16224-021-12

120 16616-6001-0
140 01023-50614



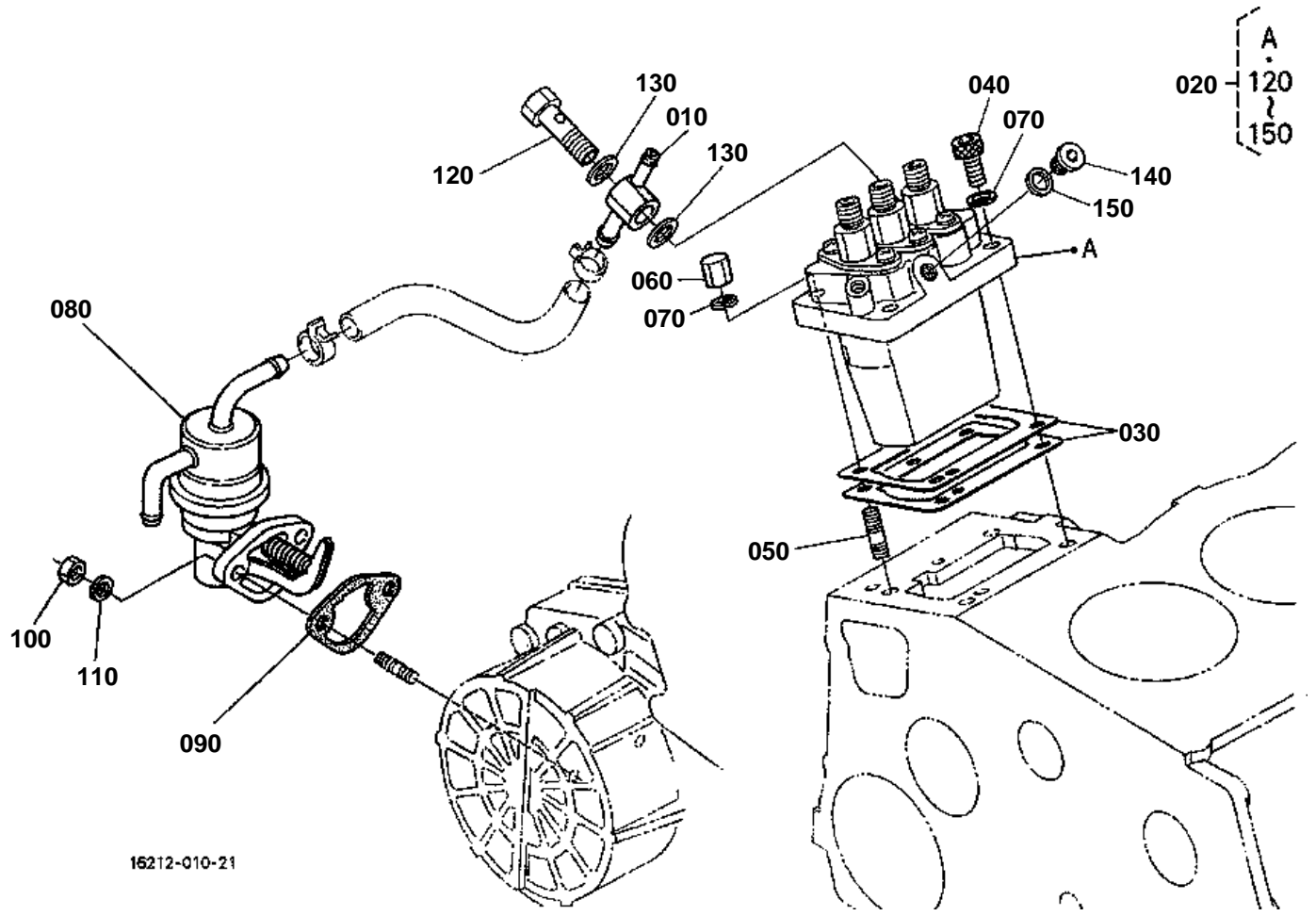
16220-802-11

**STOP SOLENOID**

↔ Interchangeable; ≠ not interchangeable; ← new for old; → old for new

| REF.No | Part No. | Description | Q'ty | S.No. | I/C | REMARKS | Weight (kgf) | Weight (lb) |
|--------|-------------|----------------------|------|---------|-----|---------|--------------|-------------|
| 010 | 16271-54090 | APPARATUS FUEL LIMIT | 1 | | | | 0.029 | 0.0638 |
| 020 | 16241-54102 | ASSY BOLT ADJUSTING | 1 | | | | 0.008 | 0.0176 |
| 030 | 15841-92020 | NUT | 1 | | | | 0.004 | 0.0088 |
| 040 | 15841-92330 | NUT | 1 | | | | 0.006 | 0.0132 |
| 050 | 15601-96650 | GASKET | 2 | | | | 0.001 | 0.0022 |
| 060 | 16241-54420 | CAP | 1 | ≤645957 | | | 0 | 0 |
| 060 | 16221-54420 | CAP | 1 | ≥645958 | ↔ | | 0.001 | 0.0022 |
| 070 | 16241-54120 | BOLT ADJUSTING | 1 | | | | 0.005 | 0.011 |
| 080 | 15841-92020 | NUT | 1 | | | | 0.004 | 0.0088 |
| 090 | 15841-92330 | NUT | 1 | | | | 0.006 | 0.0132 |
| 100 | 15601-96650 | GASKET | 2 | | | | 0.001 | 0.0022 |
| 110 | 16241-54420 | CAP | 1 | ≤645957 | | | 0 | 0 |
| 110 | 16221-54420 | CAP | 1 | ≥645958 | ↔ | | 0.001 | 0.0022 |
| 120 | 16616-60010 | SOLENOID STOP | 1 | ≤741870 | | | 0 | 0 |
| 120 | 16616-60010 | SOLENOID STOP | 1 | ≥10001 | | | 0 | 0 |
| 120 | 17454-60010 | SOLENOID STOP | 1 | ≥82938 | ← | | 0.35 | 0.77 |
| 130 | 16299-60150 | GASKET | 1 | | | | 0.003 | 0.0066 |
| 140 | 01023-50614 | BOLT | 2 | ≤741870 | | | 0.005 | 0.011 |
| 140 | 01023-50614 | BOLT | 2 | ≥10001 | | | 0.005 | 0.011 |
| 140 | 01311-10614 | BOLT HEX-SOC-HD | 2 | ≥95970 | ↔ | | 0.005 | 0.011 |
| 150 | 04512-60060 | WASHER SPRING | 2 | ≥95970 | | | 0.001 | 0.0022 |

INJECTION PUMP



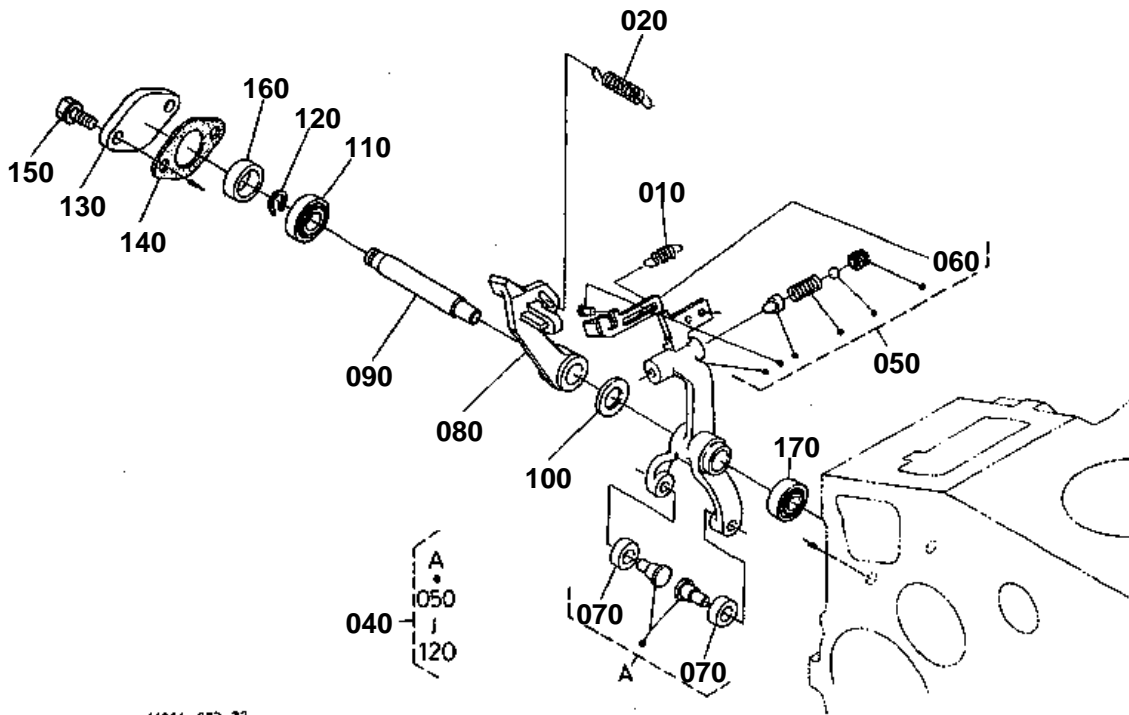
16212-010-21



INJECTION PUMP

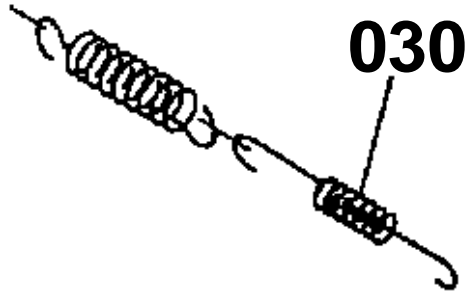
↔ Interchangeable; ≠ not interchangeable; ← new for old; → old for new

| REF.No | Part No. | Description | Q'ty | S.No. | I/C | REMARKS | Weight (kgf) | Weight (lb) |
|--------|-------------|---------------------|------|-------|-----|---------|--------------|-------------|
| 010 | 16271-95690 | JOINT EYE | 1 | | | | 0.046 | 0.1012 |
| 020 | 16032-51010 | ASSY PUMP INJECTION | 1 | | | | 1 | 2.2 |
| 030 | 16006-52092 | SHIM INJECTION PUMP | 1 | | | 0.20mm | 0.004 | 0.0088 |
| 030 | 16006-52112 | SHIM INJECTION PUMP | 1 | | | 0.25mm | 0.004 | 0.0088 |
| 030 | 16006-52122 | SHIM INJECTION PUMP | 1 | | | 0.30mm | 0.006 | 0.0132 |
| 040 | 01311-10620 | BOLT HEX-SOC-HD | 2 | | | | 0.012 | 0.0264 |
| 050 | 15841-91500 | STUD | 2 | | | | 0.02 | 0.044 |
| 060 | 15841-92320 | NUT | 2 | | | | 0.01 | 0.022 |
| 070 | 04512-60060 | WASHER SPRING | 4 | | | | 0.001 | 0.0022 |
| 080 | 16241-52032 | ASSY PUMP FUEL | 1 | | | | 0.13 | 0.286 |
| 090 | 16264-52140 | GASKET FUEL PUMP | 1 | | | | 0.001 | 0.0022 |
| 100 | 02056-50060 | NUT | 2 | | | | 0.002 | 0.0044 |
| 110 | 04512-60060 | WASHER SPRING | 2 | | | | 0.001 | 0.0022 |
| 120 | 16271-51320 | SCREW FOLLOW | 1 | | | | 0.031 | 0.0682 |
| 130 | 15841-96650 | GASKET | 2 | | | | 0.001 | 0.0022 |
| 140 | 16030-96010 | PLUG | 1 | | | | 0.008 | 0.0176 |
| 150 | 15861-96650 | GASKET | 1 | | | | 0.001 | 0.0022 |



16216-003-22

030 16271-5642-0



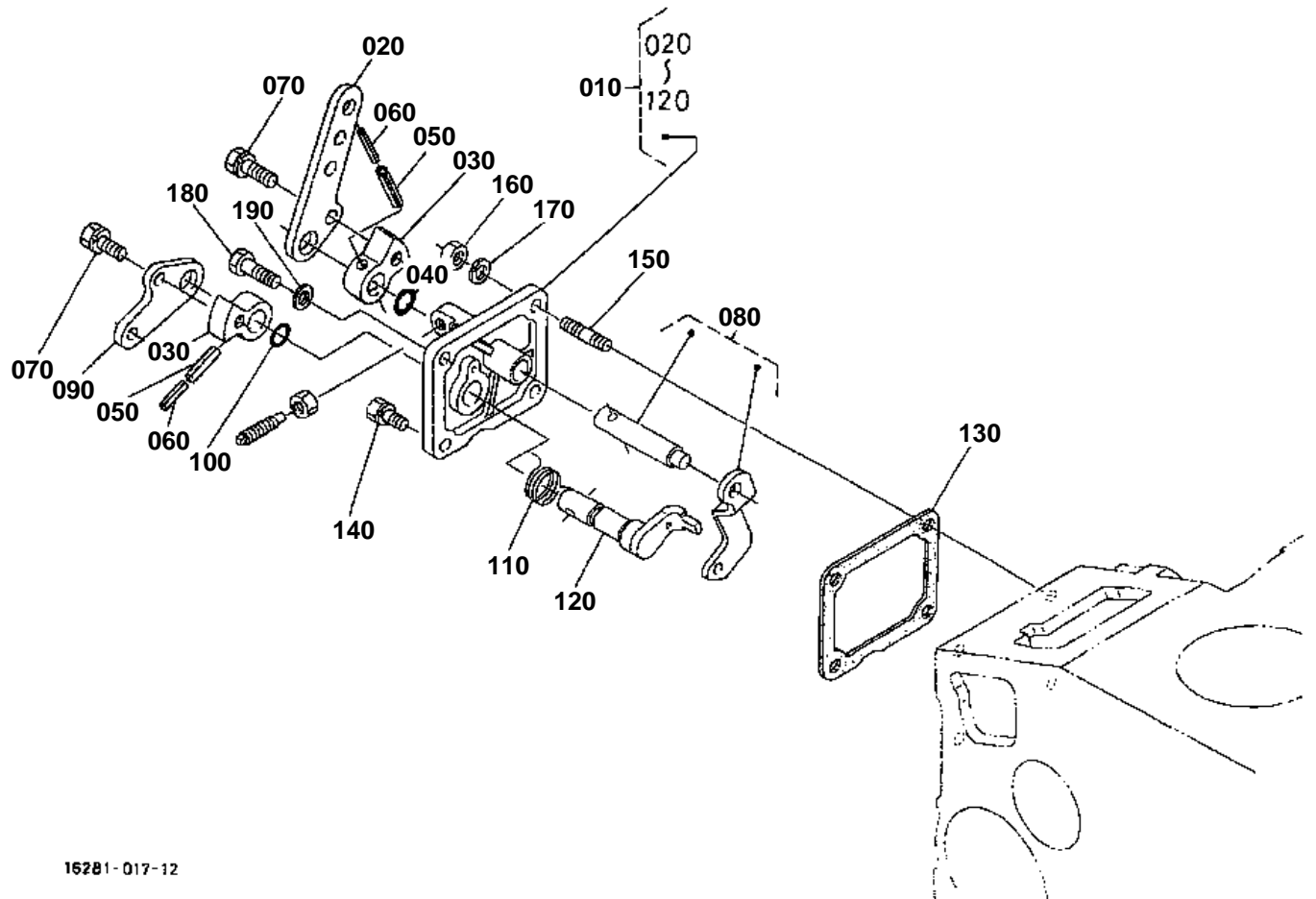
16216-801-10

**GOVERNOR**

↔ Interchangeable; ≠ not interchangeable; ← new for old; → old for new

| REF.No | Part No. | Description | Q'ty | S.No. | I/C | REMARKS | Weight (kgf) | Weight (lb) |
|--------|-------------|----------------------|------|----------|-----|---------|--------------|-------------|
| 010 | 16261-56480 | SPRING START | 1 | | | | 0.002 | 0.0044 |
| 020 | 16271-56412 | SPRING GOVERNOR | 1 | ←=WJ9533 | | | 0 | 0 |
| 020 | 16271-56413 | SPRING GOVERNOR | 1 | ≧=WL0001 | ← | | 0.02 | 0.044 |
| 020 | 16271-56414 | SPRING GOVERNOR | 1 | ≧=XG0001 | → | | 0.022 | 0.0484 |
| 020 | 1G043-56410 | SPRING GOVERNOR | 1 | ≧=YA0001 | ≠ | | 0.019 | 0.0418 |
| 030 | 16271-56420 | SPRING GOVERNOR | 1 | ←=XK9999 | | | 0.005 | 0.011 |
| 040 | 16216-56050 | ASSY LEVER FORK | 1 | ←=WX2480 | | | 0 | 0 |
| 040 | 16216-56055 | ASSY LEVER FORK | 1 | ≧=WY0001 | ← | | 0.25 | 0.55 |
| 050 | 16216-56040 | COMP.LEVER FORK | 1 | ←=WX2480 | | | 0 | 0 |
| 050 | 16216-56045 | COMP.LEVER FORK | 1 | ≧=WY0001 | ← | | 0.13 | 0.286 |
| 060 | 16261-56210 | LEVER THRUST | 1 | ←=702846 | | | 0 | 0 |
| 060 | 16271-56210 | LEVER THRUST | 1 | ≧=702847 | ↔ | | 0 | 0 |
| 060 | 16271-56214 | LEVER THRUST | 1 | ≧=WY0001 | ← | | 0.01 | 0.022 |
| 070 | 19484-55440 | ROLLER | 2 | | | | 0.005 | 0.011 |
| 080 | 16271-56132 | LEVER FORK | 1 | ←=WM1322 | | | 0 | 0 |
| 080 | 16222-56133 | LEVER FORK | 1 | ≧=WN0001 | ↔ | | 0.06 | 0.132 |
| 090 | 16241-56153 | SHAFT FORK LEVER | 1 | | | | 0.04 | 0.088 |
| 100 | 16241-94010 | WASHER PLAIN | 1 | | | | 0.002 | 0.0044 |
| 110 | 16241-56330 | BEARING MINIATURIZE | 1 | | | | 0.007 | 0.0154 |
| 120 | 04612-00090 | CIR CLIP EXTERNAL | 1 | | | | 0.001 | 0.0022 |
| 130 | 16241-56250 | COVER FORK LEV.SHAFT | 1 | | | | 0.013 | 0.0286 |
| 140 | 16299-56260 | GASKET | 1 | | | | 0.002 | 0.0044 |
| 150 | 01023-50614 | BOLT | 2 | | | | 0.005 | 0.011 |
| 160 | 16241-56210 | COLLAR | 1 | | | | 0.008 | 0.0176 |
| 170 | 16241-56340 | BEARING MINIATURIZE | 1 | | | | 0.007 | 0.0154 |

SPEED CONTROL PLATE

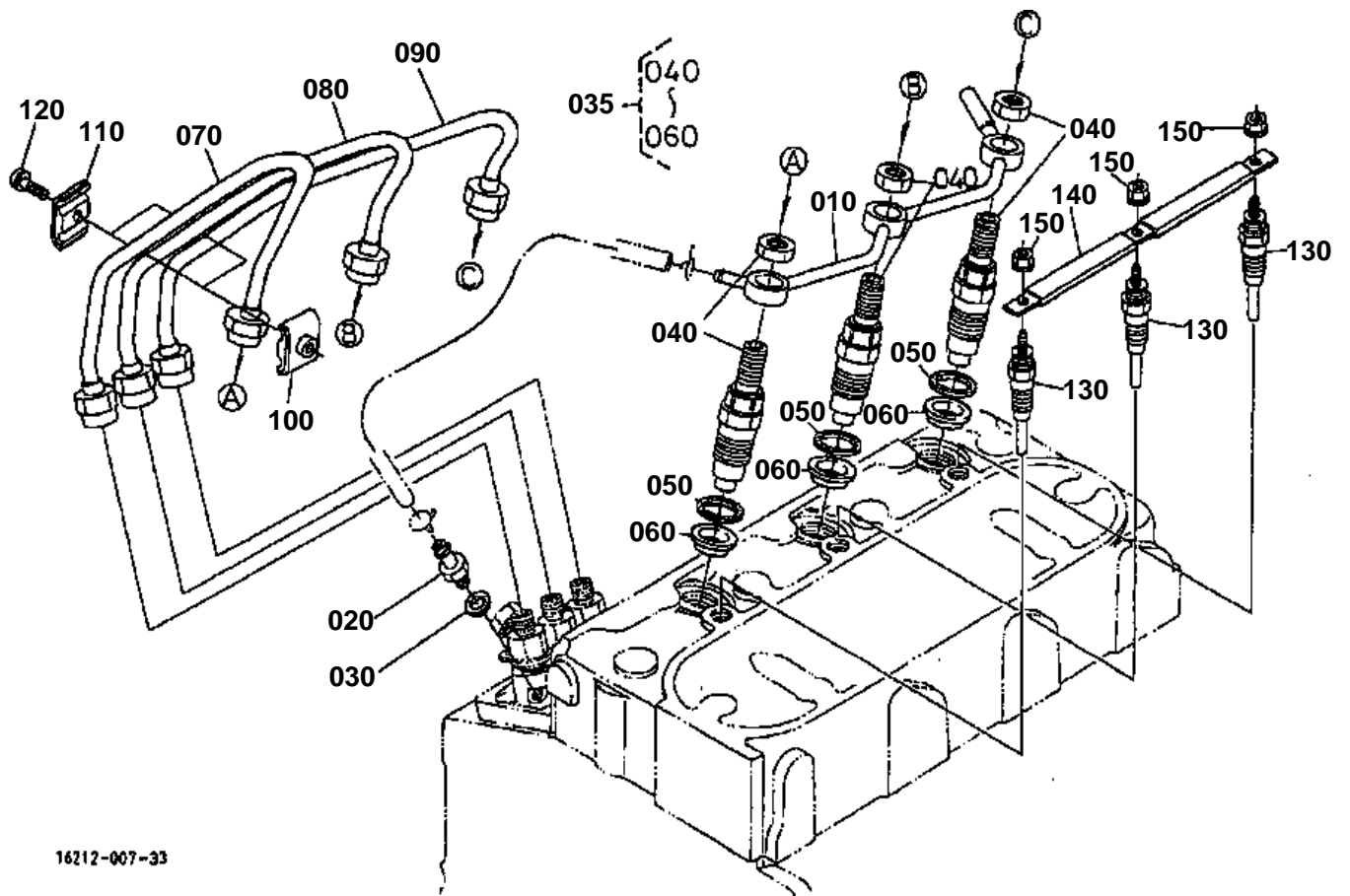


16281-017-12

**SPEED CONTROL PLATE**

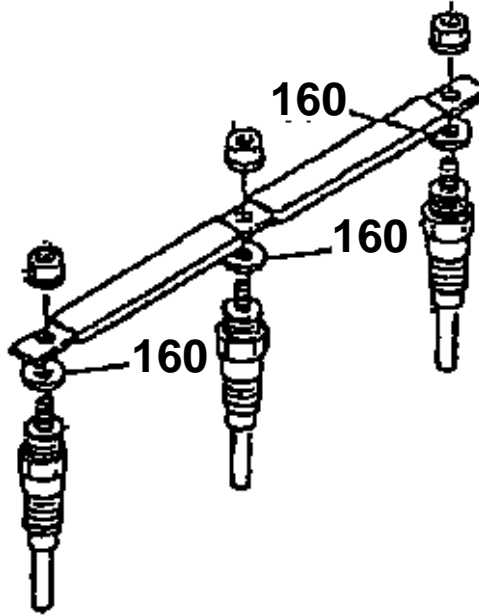
↔ Interchangeable; ≠ not interchangeable; ← new for old; → old for new

| REF.No | Part No. | Description | Q'ty | S.No. | I/C | REMARKS | Weight (kgf) | Weight (lb) |
|--------|-------------|---------------------|------|---------|-----|---------|--------------|-------------|
| 010 | 16231-57016 | ASSY PLATE CONTROL | 1 | | | | 0.34 | 0.748 |
| 020 | 16205-57150 | LEVER SPEED CONTROL | 1 | | | | 0.033 | 0.0726 |
| 030 | 16205-57160 | LEVER SPEED CONTROL | 2 | | | | 0.03 | 0.066 |
| 040 | 04814-00100 | O RING | 1 | | | | 0.001 | 0.0022 |
| 050 | 05411-00420 | PIN SPRING | 2 | | | | 0.001 | 0.0022 |
| 060 | 05411-02520 | PIN SPRING | 2 | | | | 0.001 | 0.0022 |
| 070 | 01023-50612 | BOLT | 2 | | | | 0.005 | 0.011 |
| 080 | 16205-56020 | COMP.LEVER GOVERNOR | 1 | | | | 0.02 | 0.044 |
| 090 | 16234-57720 | LEVER ENGINE STOP | 1 | | | | 0.03 | 0.066 |
| 100 | 19202-96750 | O RING | 1 | ≤WJ9533 | | | 0.001 | 0.0022 |
| 100 | 04814-10070 | O RING | 1 | ≥WL0001 | ≠ | | 0.001 | 0.0022 |
| 110 | 16205-57510 | SPRING RETURN | 1 | | | | 0.002 | 0.0044 |
| 120 | 16205-57740 | COMP.LEVER STOP | 1 | | | | 0.046 | 0.1012 |
| 130 | 16264-57210 | GASKET | 1 | | | | 0.002 | 0.0044 |
| 140 | 01023-50616 | BOLT | 2 | ≤741870 | | | 0.005 | 0.011 |
| 140 | 01023-50616 | BOLT | 2 | ≥10001 | | | 0.005 | 0.011 |
| 140 | 01023-50616 | BOLT | 1 | ≥89030 | | | 0.005 | 0.011 |
| 150 | 01513-50616 | BOLT STUD | 2 | ≤WH4333 | | | 0.004 | 0.0088 |
| 150 | 16245-91540 | STUD | 2 | ≥WJ0001 | ≠ | | 0.005 | 0.011 |
| 160 | 02056-50060 | NUT | 2 | | | | 0.002 | 0.0044 |
| 170 | 04512-60060 | WASHER SPRING | 2 | | | | 0.001 | 0.0022 |
| 180 | 01053-50618 | BOLT | 1 | ≥89030 | | | 0.006 | 0.0132 |
| 190 | 15601-96650 | GASKET | 1 | ≥89030 | | | 0.001 | 0.0022 |



16212-007-33

160 04013-60040



1G042-806-10

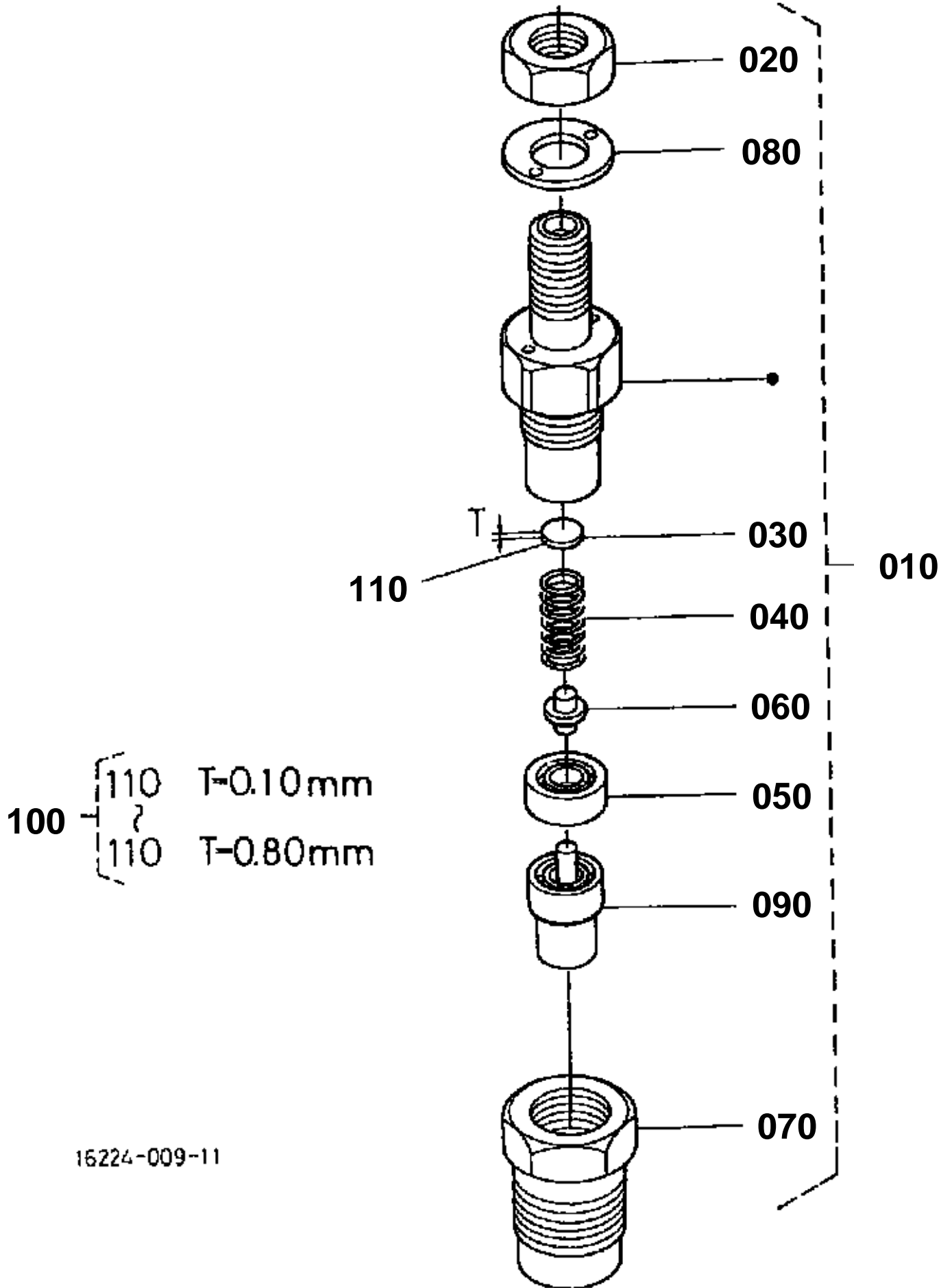


NOZZLE HOLDER AND GLOW PLUG

↔ Interchangeable; ≠ not interchangeable; ← new for old; → old for new

| REF.No | Part No. | Description | Q'ty | S.No. | I/C | REMARKS | Weight (kgf) | Weight (lb) |
|--------|-------------|---------------------|------|-------|-----|---------|--------------|-------------|
| 010 | 16261-42502 | ASSY PIPE OVER FLOW | 1 | | | | 0.04 | 0.088 |
| 020 | 15841-51360 | SCREW AIR BREEDER | 1 | | | | 0.008 | 0.0176 |
| 030 | 15601-96650 | GASKET | 1 | | | | 0.001 | 0.0022 |
| 035 | 16032-53900 | KIT HOLDER NOZZLE | 1 | | | | 0.16 | 0.352 |
| 040 | 16032-53000 | ASSY HOLDER NOZZLE | 3 | | | | 0.14 | 0.308 |
| 050 | 15841-53622 | GASKET | 3 | | | | 0.002 | 0.0044 |
| 060 | 19077-53650 | SEAL HEAT | 3 | | | | 0.005 | 0.011 |
| 070 | 16231-53712 | PIPE INJECTION | 1 | | | | 0.12 | 0.264 |
| 080 | 16231-53722 | PIPE INJECTION | 1 | | | | 0.12 | 0.264 |
| 090 | 16231-53732 | PIPE INJECTION | 1 | | | | 0.12 | 0.264 |
| 100 | 15841-53850 | CLAMP PIPE | 2 | | | | 0.01 | 0.022 |
| 110 | 15841-53860 | CLAMP PIPE | 2 | | | | 0.009 | 0.0198 |
| 120 | 03024-50520 | SCREW WITH WASHER | 2 | | | | 0.004 | 0.0088 |
| 130 | 16851-65510 | GLOW PLUG | 3 | | | | 0.02 | 0.044 |
| 140 | 16261-65560 | CORD GLOW PLUG | 1 | | | | 0.01 | 0.022 |
| 150 | 02761-50040 | NUT FLANGE | 3 | | | | 0.002 | 0.0044 |
| 160 | 04013-60040 | WASHER PLAIN | 3 | | | | 0.002 | 0.0044 |

NOZZLE HOLDER [COMPONENT PARTS]



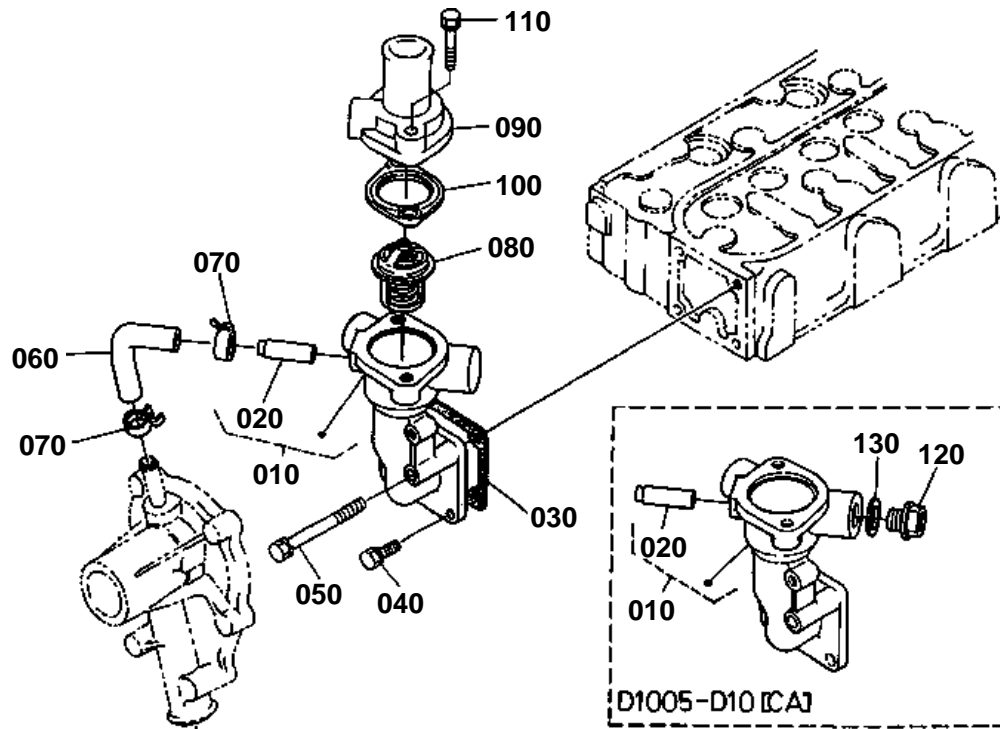


NOZZLE HOLDER [COMPONENT PARTS]

↔ Interchangeable; ≠ not interchangeable; ← new for old; → old for new

| REF.No | Part No. | Description | Q'ty | S.No. | I/C | REMARKS | Weight (kgf) | Weight (lb) |
|--------|-------------|--------------------|------|-------|-----|---------|--------------|-------------|
| 010 | 16032-53000 | ASSY HOLDER NOZZLE | 3 | | | | 0.14 | 0.308 |
| 020 | 16032-92030 | NUT | 3 | | | | 0.007 | 0.0154 |
| 030 | 16032-53230 | WASHER ADJUSTING | 3 | | | | 0.001 | 0.0022 |
| 040 | 16032-53170 | SPRING NOZZLE | 3 | | | | 0.007 | 0.0154 |
| 050 | 16032-53350 | SPACER DISTANCE | 3 | | | | 0.02 | 0.044 |
| 060 | 16032-53160 | PUSH ROD | 3 | | | | 0.001 | 0.0022 |
| 070 | 16032-53280 | NUT NOZZLE | 3 | | | | 0.037 | 0.0814 |
| 080 | 16032-94040 | WASHER PLAIN | 3 | | | | 0.002 | 0.0044 |
| 090 | 16032-53610 | PIECE NOZZLE | 3 | | | | 0.021 | 0.0462 |
| 100 | 16032-98100 | ASSY WASHER ADJUST | 3 | | | OPTION | 0.016 | 0.0352 |
| 110 | 16032-98500 | WASHER ADJUSTING | 3 | | | 0.10MM | 0.001 | 0.0022 |
| 110 | 16032-98510 | WASHER ADJUSTING | 3 | | | 0.20MM | 0.001 | 0.0022 |
| 110 | 16032-98520 | WASHER ADJUSTING | 3 | | | 0.30MM | 0.001 | 0.0022 |
| 110 | 16032-98530 | WASHER ADJUSTING | 3 | | | 0.40MM | 0.001 | 0.0022 |
| 110 | 16032-98540 | WASHER ADJUSTING | 3 | | | 0.50MM | 0.001 | 0.0022 |
| 110 | 16032-98550 | WASHER ADJUSTING | 3 | | | 0.52MM | 0.001 | 0.0022 |
| 110 | 16032-98560 | WASHER ADJUSTING | 3 | | | 0.54MM | 0.001 | 0.0022 |
| 110 | 16032-98570 | WASHER ADJUSTING | 3 | | | 0.56MM | 0.001 | 0.0022 |
| 110 | 16032-98580 | WASHER ADJUSTING | 3 | | | 0.58MM | 0.001 | 0.0022 |
| 110 | 16032-98590 | WASHER ADJUSTING | 3 | | | 0.80MM | 0.001 | 0.0022 |

WATER FLANGE AND THERMOSTAT



16224-029-10

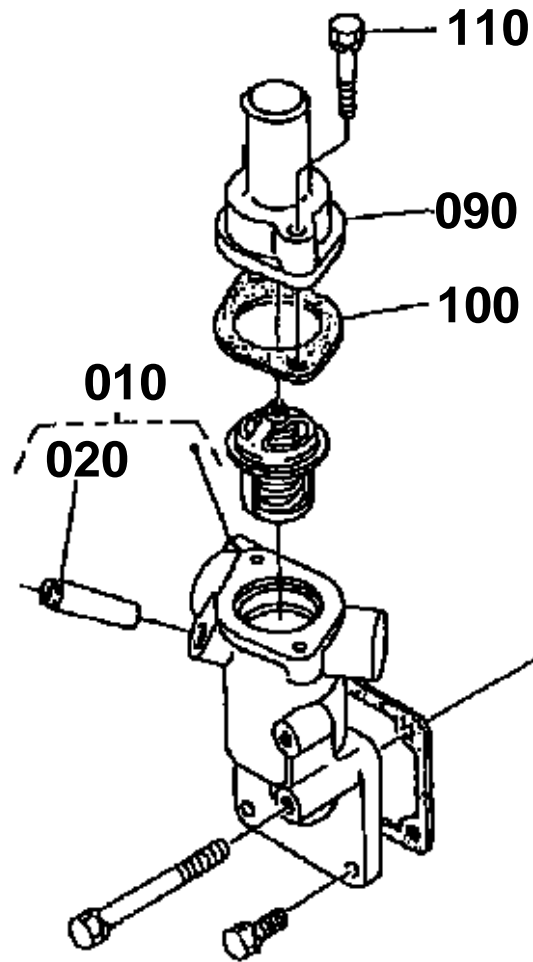
010 16241-7270-4

010 16241-7270-5

090 16271-7326-0

100 15676-7327-0

110 01023-50632



16216-802-10

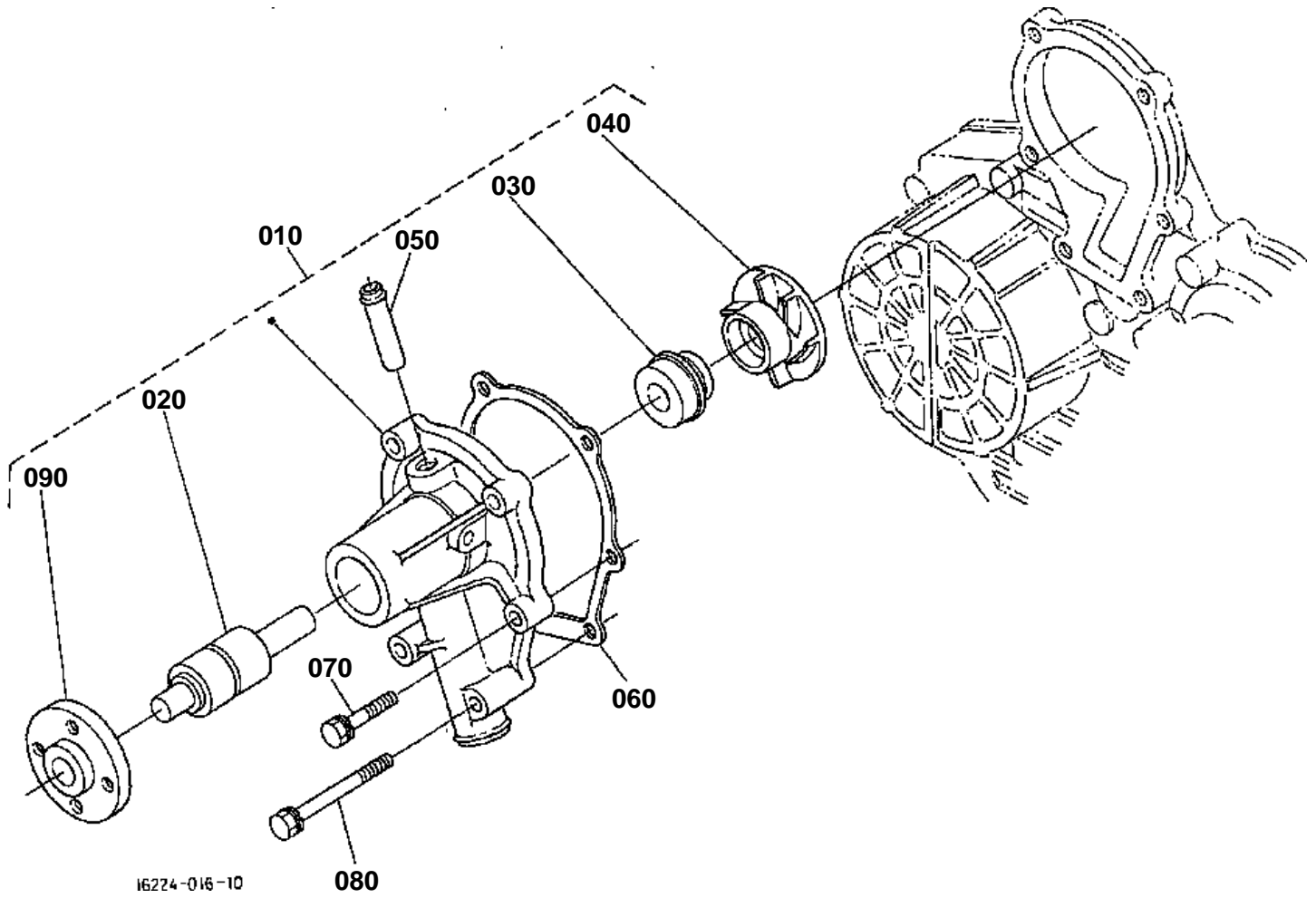


WATER FLANGE AND THERMOSTAT

↔ Interchangeable; ≠ not interchangeable; ← new for old; → old for new

| REF.No | Part No. | Description | Q'ty | S.No. | I/C | REMARKS | Weight (kgf) | Weight (lb) |
|--------|-------------|---------------------|------|---------|-----|---------|--------------|-------------|
| 010 | 16241-72704 | COMP FLANGE WATER | 1 | ≤658105 | | [A] | 0 | 0 |
| 010 | 16241-72705 | COMP FLANGE WATER | 1 | ≥658106 | ← | [A] | 0 | 0 |
| 010 | 16241-72705 | COMP FLANGE WATER | 1 | ≤741870 | | [A] | 0 | 0 |
| 010 | 16241-72705 | COMP FLANGE WATER | 1 | ≥10001 | | [A] | 0 | 0 |
| 010 | 16203-72700 | COMP FLANGE WATER | 1 | ≥110327 | ≠ | [A] | 0.25 | 0.55 |
| 010 | 16241-72704 | COMP FLANGE WATER | 1 | ≤658105 | | [CA] | 0 | 0 |
| 010 | 16241-72705 | COMP FLANGE WATER | 1 | ≥658106 | ← | [CA] | 0 | 0 |
| 010 | 16261-72705 | COMP FLANGE WATER | 1 | ≥681219 | → | [CA] | 0.26 | 0.572 |
| 010 | 16261-72705 | COMP FLANGE WATER | 1 | ≤741870 | | [CA] | 0.26 | 0.572 |
| 010 | 16261-72705 | COMP FLANGE WATER | 1 | ≥10001 | | [CA] | 0.26 | 0.572 |
| 010 | 16180-72700 | COMP FLANGE WATER | 1 | ≥110327 | ≠ | [CA] | 0.265 | 0.583 |
| 020 | 16241-73370 | PIPE WATER RETURN | 1 | | | | 0.007 | 0.0154 |
| 030 | 16264-72920 | GASKET WATER FLANGE | 1 | | | | 0.001 | 0.0022 |
| 040 | 01023-50616 | BOLT | 3 | | | | 0.005 | 0.011 |
| 050 | 01023-50655 | BOLT | 1 | | | | 0.012 | 0.0264 |
| 060 | 16241-73350 | PIPE WATER RETURN | 1 | | | | 0.015 | 0.033 |
| 070 | 16241-73360 | BAND PIPE | 2 | | | | 0.003 | 0.0066 |
| 080 | 15531-73010 | ASSY THERMOSTAT | 1 | ≤741870 | | | 0.063 | 0.1386 |
| 080 | 15531-73010 | ASSY THERMOSTAT | 1 | ≥10001 | | | 0.063 | 0.1386 |
| 080 | 15321-73014 | ASSY THERMOSTAT | 1 | ≥110327 | ≠ | | 0.07 | 0.154 |
| 080 | 15321-73014 | ASSY THERMOSTAT | 1 | ≥1E0001 | ← | | 0.07 | 0.154 |
| 090 | 16271-73260 | COVER THERMOSTAT | 1 | ≤741870 | | | 0.06 | 0.132 |
| 090 | 16271-73260 | COVER THERMOSTAT | 1 | ≥10001 | | | 0.06 | 0.132 |
| 090 | 16219-73260 | COVER THERMOSTAT | 1 | ≥110327 | ≠ | | 0.094 | 0.2068 |
| 100 | 15676-73270 | GASKET | 1 | ≤741870 | | | 0.005 | 0.011 |
| 100 | 15676-73270 | GASKET | 1 | ≥10001 | | | 0.005 | 0.011 |
| 100 | 15313-73270 | GASKET THERMOSTAT | 1 | ≥110327 | ≠ | | 0 | 0 |
| 100 | 16221-73270 | GASKET THERMOSTAT | 1 | ≥WY0001 | ↔ | | 0.01 | 0.022 |
| 110 | 01023-50632 | BOLT | 2 | ≤741870 | | | 0.01 | 0.022 |
| 110 | 01023-50632 | BOLT | 2 | ≥10001 | | | 0.01 | 0.022 |
| 110 | 01123-50835 | BOLT | 2 | ≥110327 | ≠ | | 0.02 | 0.044 |
| 120 | 06311-55030 | PLUG | 1 | ≥110327 | | [CA] | 0.05 | 0.11 |
| 130 | 16261-96710 | GASKET | 1 | ≥110327 | | [CA] | 0.002 | 0.0044 |

WATER PUMP



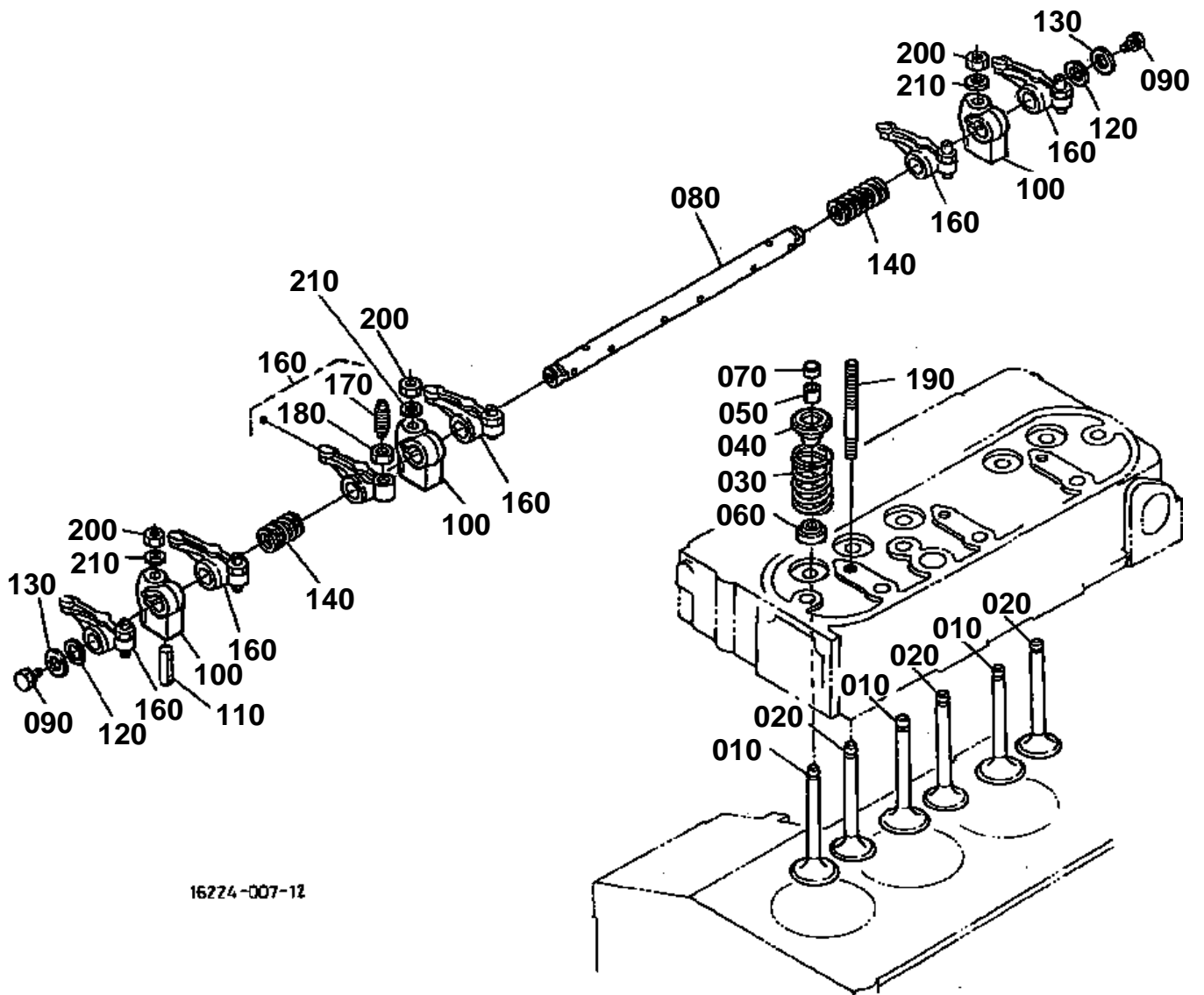


WATER PUMP

↔ Interchangeable; ≠ not interchangeable; ← new for old; → old for new

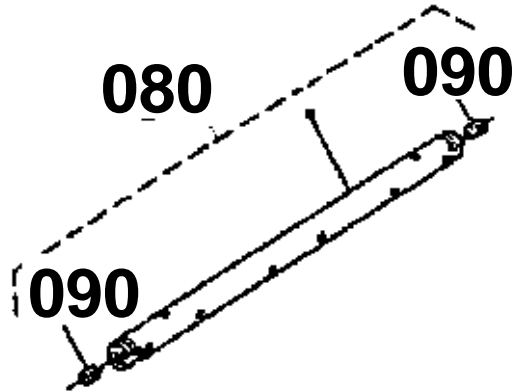
| REF.No | Part No. | Description | Q'ty | S.No. | I/C | REMARKS | Weight (kgf) | Weight (lb) |
|--------|-------------|----------------------|------|---------|-----|---------|--------------|-------------|
| 010 | 16251-73030 | ASSY PUMP WATER | 1 | ≤681218 | | | 0 | 0 |
| 010 | 16251-73032 | ASSY PUMP WATER | 1 | ≥681219 | → | | 0.9 | 1.98 |
| 020 | 16259-73552 | BEARING | 1 | | | | 0.21 | 0.462 |
| 030 | 15481-73050 | ASSY SEAL MECHANICAL | 1 | | | | 0.02 | 0.044 |
| 040 | 16251-73510 | IMPELLER WATER PUMP | 1 | | | | 0.075 | 0.165 |
| 050 | 16241-73340 | PIPE WATER RETURN | 1 | | | | 0.006 | 0.0132 |
| 060 | 16261-73430 | GASKET WATER PUMP | 1 | ≤741870 | | | 0.001 | 0.0022 |
| 060 | 16261-73430 | GASKET WATER PUMP | 1 | ≥10001 | | | 0.001 | 0.0022 |
| 060 | 16251-73430 | GASKET WATER PUMP | 1 | ≥95970 | ↔ | | 0.005 | 0.011 |
| 070 | 01023-50630 | BOLT | 4 | | | | 0.008 | 0.0176 |
| 080 | 01023-50685 | BOLT | 2 | | | | 0.018 | 0.0396 |
| 090 | 16259-73520 | FLANGE WATER PUMP | 1 | | | | 0.15 | 0.33 |

VALVE AND ROCKER ARM

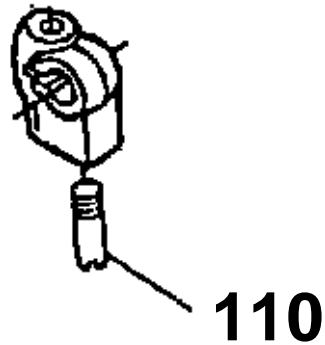


080 16261-1405-0

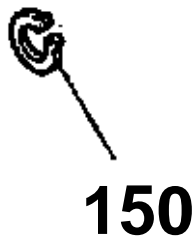
090 03410-50606



110 15261-1442-0



150 04612-00120



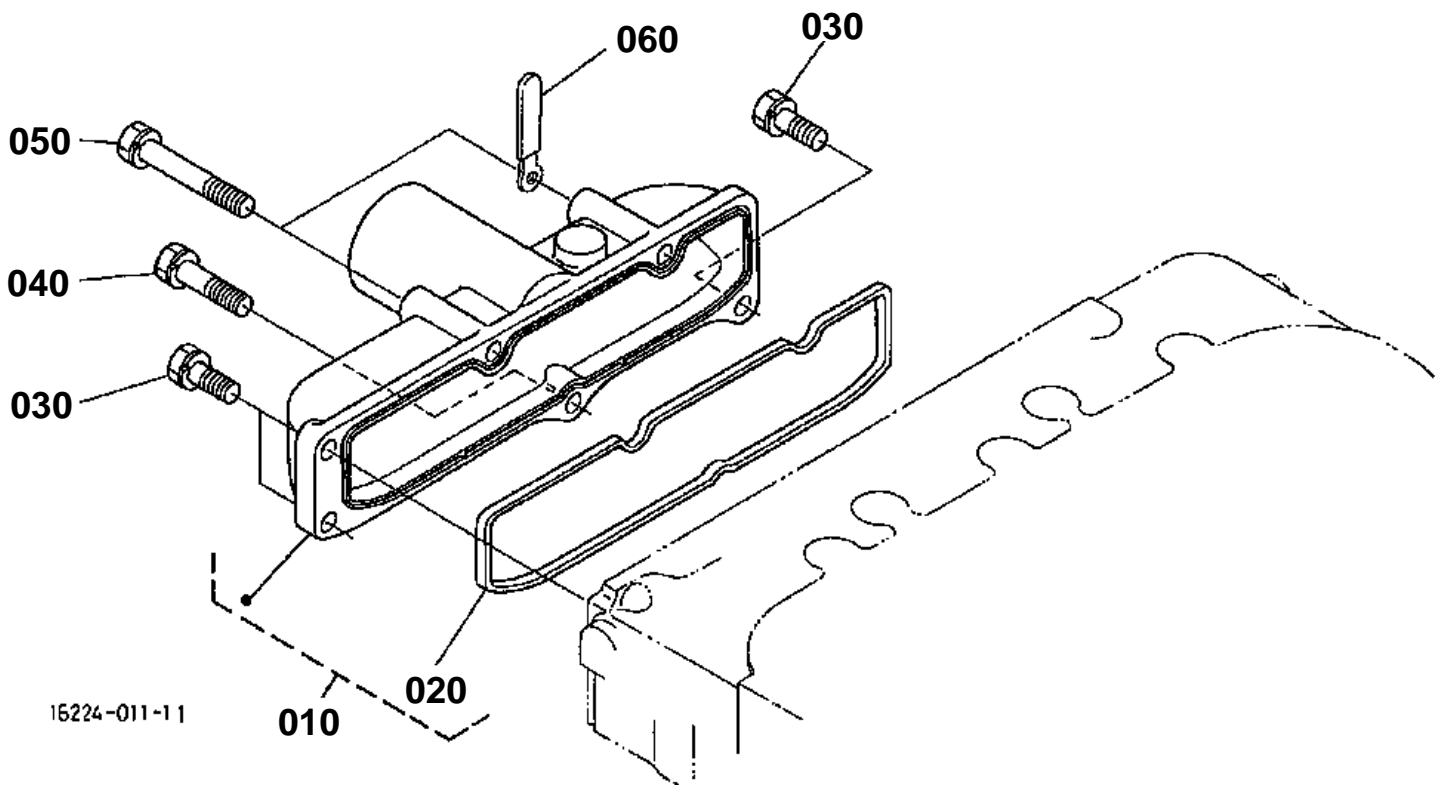


VALVE AND ROCKER ARM

↔ Interchangeable; ≠ not interchangeable; ← new for old; → old for new

| REF.No | Part No. | Description | Q'ty | S.No. | I/C | REMARKS | Weight (kgf) | Weight (lb) |
|--------|-------------|----------------------|------|---------|-----|---------|--------------|-------------|
| 010 | 16241-13110 | VALVE INLET | 3 | | | | 0.05 | 0.11 |
| 020 | 16241-13120 | VALVE EXHAUST | 3 | | | | 0.045 | 0.099 |
| 030 | 16271-13240 | SPRING VALVE | 6 | | | | 0.015 | 0.033 |
| 040 | 16241-13330 | RETAINER VALVE SP. | 6 | | | | 0.015 | 0.033 |
| 050 | 15261-13360 | COLLET VALVE SPRING | 6 | | | SET | 0.001 | 0.0022 |
| 060 | 16241-13150 | SEAL VALVE STEM | 6 | ≤741870 | | | 0.002 | 0.0044 |
| 060 | 16241-13150 | SEAL VALVE STEM | 6 | ≥10001 | | | 0.002 | 0.0044 |
| 060 | 1C010-13150 | SEAL VALVE STEM | 6 | ≥116860 | ↔ | | 0.002 | 0.0044 |
| 070 | 16241-13280 | CAP VALVE | 6 | | | | 0.005 | 0.011 |
| 080 | 16261-14050 | ASSY SHAFT R-ARM | 1 | ≤WD2848 | | | 0.17 | 0.374 |
| 080 | 16261-14264 | SHAFT ROCKER ARM | 1 | ≥WE0001 | ≠ | | 0.16 | 0.352 |
| 090 | 03410-50606 | SCREW SET | 2 | ≤WD2848 | | | 0.001 | 0.0022 |
| 090 | 01023-50610 | BOLT | 2 | ≥WE0001 | ≠ | | 0.005 | 0.011 |
| 100 | 16241-14350 | BRACKET ROCKER ARM | 3 | | | | 0.04 | 0.088 |
| 110 | 15261-14420 | SCREW SET.ROCKER ARM | 1 | ≤WD2848 | | | 0.002 | 0.0044 |
| 110 | 05411-00428 | PIN SPRING | 1 | ≥WE0001 | ≠ | | 0.002 | 0.0044 |
| 120 | 16241-14430 | WASHER R-ARM.SHAFT | 2 | | | | 0.002 | 0.0044 |
| 130 | 16241-14440 | WASHER R-ARM.SHAFT | 2 | ≤WD2848 | | | 0.002 | 0.0044 |
| 130 | 15841-94022 | WASHER PLAIN | 2 | ≥WE0001 | ≠ | | 0.005 | 0.011 |
| 140 | 16241-14310 | SPRING ROCKER ARM | 2 | | | | 0.004 | 0.0088 |
| 150 | 04612-00120 | CIR CLIP EXTERNAL | 2 | ≤WD2848 | | | 0.001 | 0.0022 |
| 160 | 16241-14030 | ASSY ROCKER ARM | 6 | ≤741870 | | | 0.06 | 0.132 |
| 160 | 16241-14030 | ASSY ROCKER ARM | 6 | ≥10001 | | | 0.06 | 0.132 |
| 160 | 16241-14032 | ASSY ROCKER ARM | 6 | ≥89030 | ≠ | | 0.052 | 0.1144 |
| 170 | 16241-14230 | SCREW ADJUSTING | 6 | | | | 0.008 | 0.0176 |
| 180 | 16241-14240 | NUT | 6 | | | | 0.004 | 0.0088 |
| 190 | 16241-14410 | STUD | 3 | | | | 0.022 | 0.0484 |
| 200 | 15261-92010 | NUT | 3 | | | | 0.005 | 0.011 |
| 210 | 15261-94010 | WASHER PLAIN | 3 | | | | 0.002 | 0.0044 |

INLET MANIFOLD



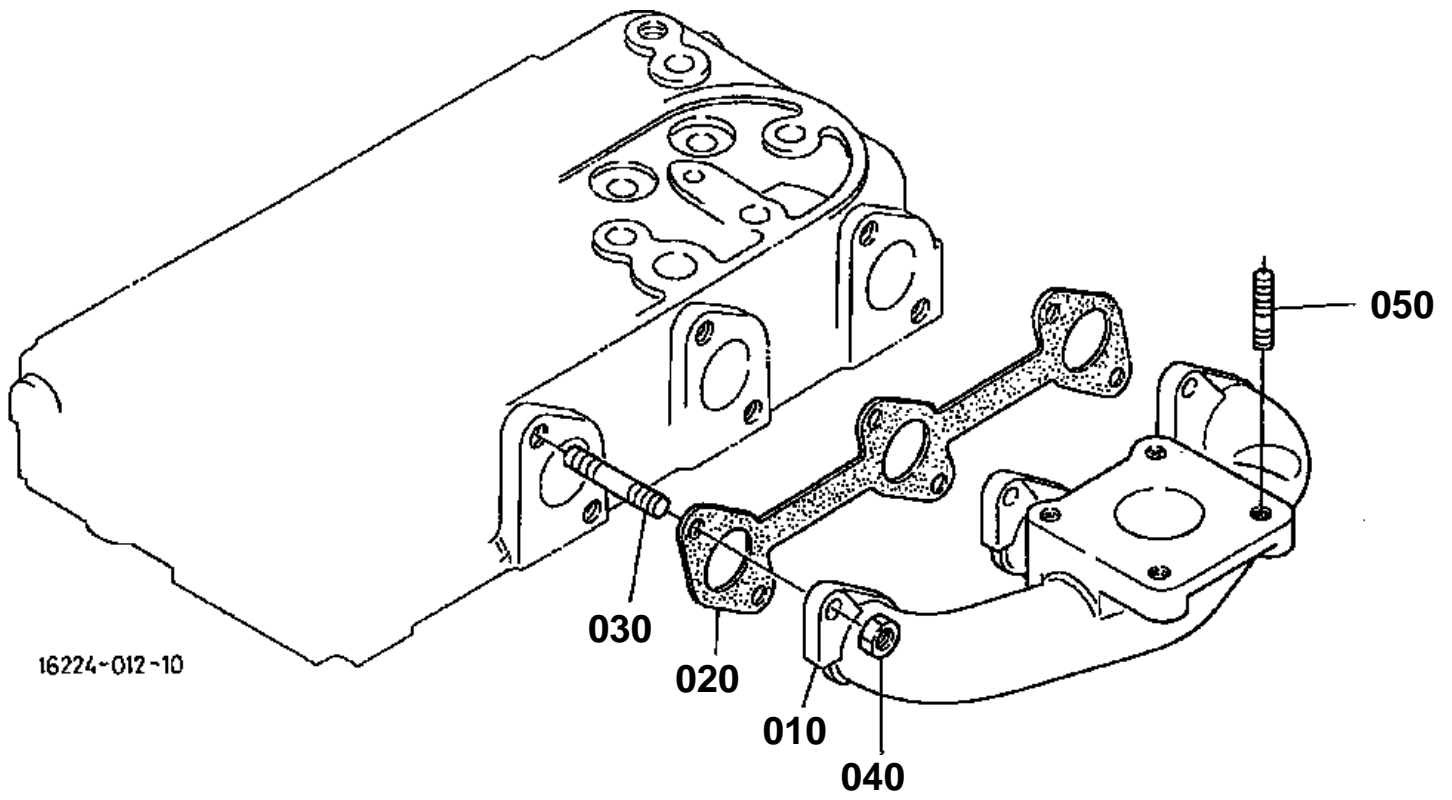


INLET MANIFOLD

↔ Interchangeable; ≠ not interchangeable; ← new for old; → old for new

| REF.No | Part No. | Description | Q'ty | S.No. | I/C | REMARKS | Weight (kgf) | Weight (lb) |
|--------|-------------|---------------------|------|-------|-----|---------|--------------|-------------|
| 010 | 16261-11770 | ASSY MANIFOLD INLET | 1 | | | | 0.3 | 0.66 |
| 020 | 16261-11822 | GASKET IN-MANIFOLD | 1 | | | | 0.01 | 0.022 |
| 030 | 01023-50618 | BOLT | 3 | | | | 0.006 | 0.0132 |
| 040 | 01023-50630 | BOLT | 1 | | | | 0.008 | 0.0176 |
| 050 | 01023-60650 | BOLT | 2 | | | | 0.015 | 0.033 |
| 060 | 15272-67590 | CLAMP CORD | 1 | | | | 0.004 | 0.0088 |

EXHAUST MANIFOLD



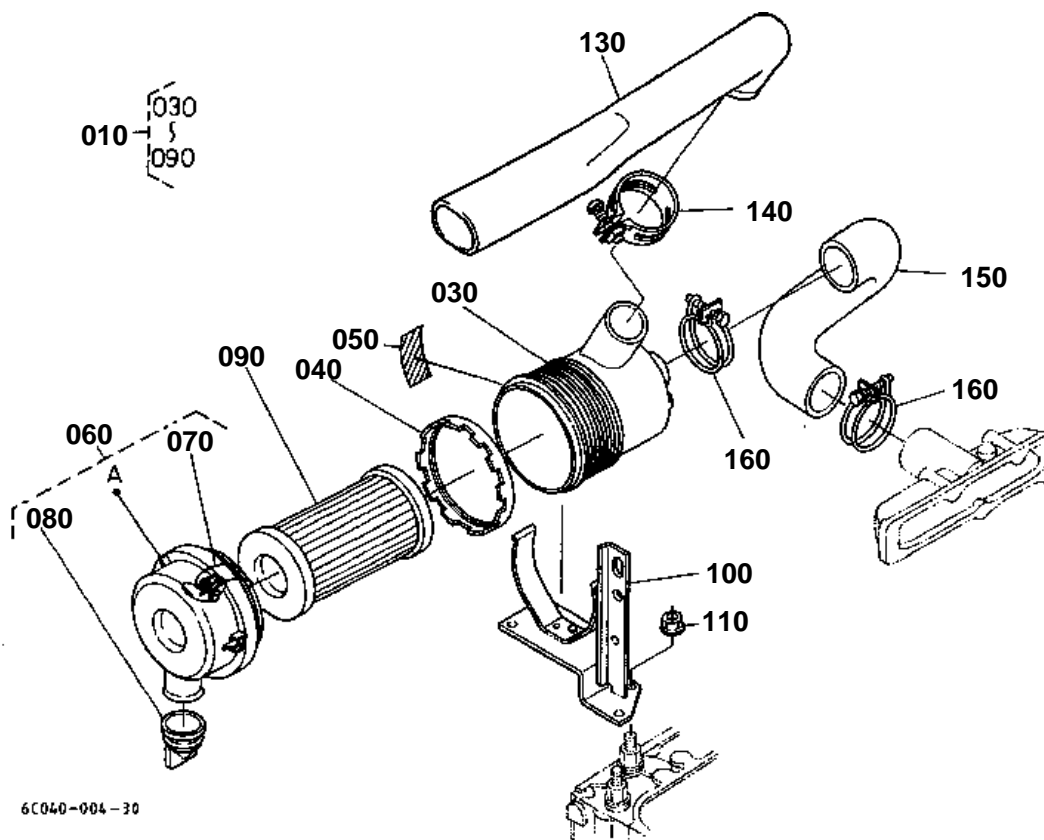


EXHAUST MANIFOLD

↔ Interchangeable; ≠ not interchangeable; ← new for old; → old for new

| REF.No | Part No. | Description | Q'ty | S.No. | I/C | REMARKS | Weight (kgf) | Weight (lb) |
|--------|-------------|--------------------|------|-------|-----|---------|--------------|-------------|
| 010 | 16265-12312 | MANIFOLD EXHAUST | 1 | | | | 1.35 | 2.97 |
| 020 | 16261-12350 | GASKET EX-MANIFOLD | 1 | | | | 0.019 | 0.0418 |
| 030 | 16241-91490 | STUD | 6 | | | | 0.005 | 0.011 |
| 040 | 16271-92010 | NUT | 6 | | | | 0.005 | 0.011 |
| 050 | 01513-50822 | STUD | 4 | | | | 0.01 | 0.022 |
| 050 | 01513-50818 | STUD | 4 | | ≠ | | 0.009 | 0.0198 |

AIR CLEANER



6C040-004-30

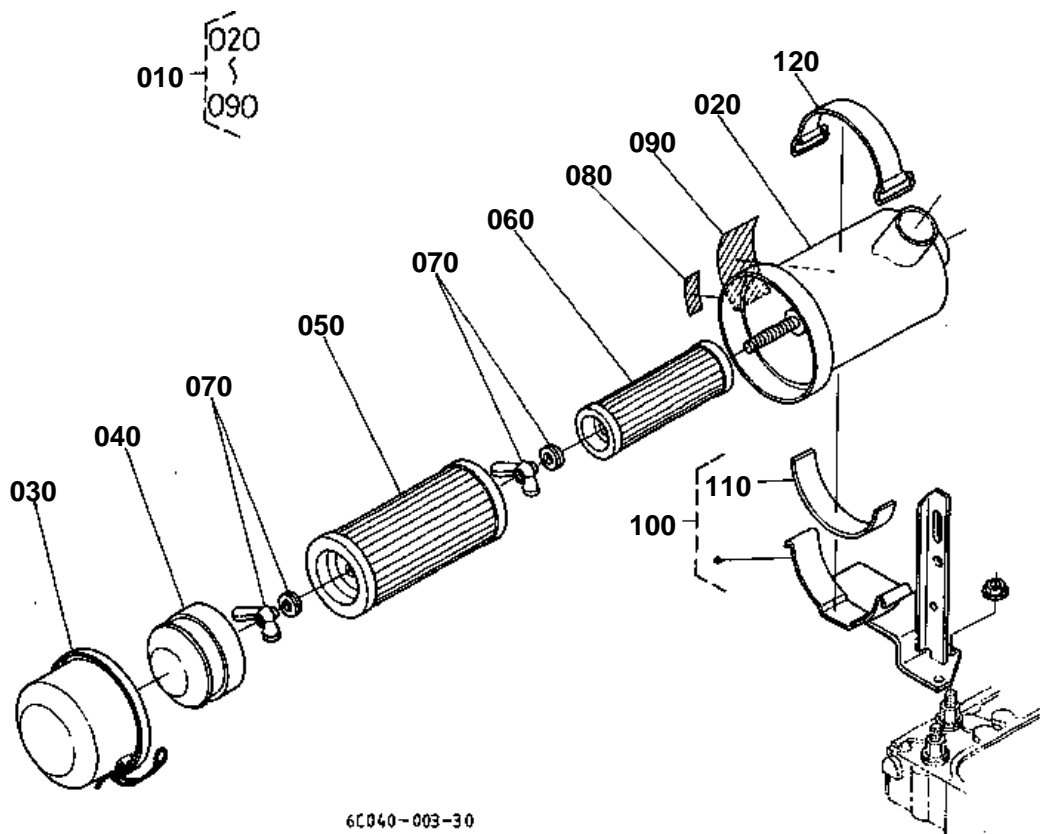


AIR CLEANER

↔ Interchangeable; ≠ not interchangeable; ← new for old; → old for new

| REF.No | Part No. | Description | Q'ty | S.No. | I/C | REMARKS | Weight (kgf) | Weight (lb) |
|--------|-------------|---------------------|------|-------|-----|---------|--------------|-------------|
| 010 | 6A100-58200 | ASSY CLEANER AIR | 1 | | | | 0.59 | 1.298 |
| 020 | 99999-99999 | BLANK | 0 | | | | 0 | 0 |
| 030 | 6A100-82520 | BODY AIR CLEANER | 1 | | | | 0.23 | 0.506 |
| 040 | 6A100-82530 | GASKET | 1 | | | | 0.03 | 0.066 |
| 050 | 67980-82620 | LABEL CAUTION | 1 | | | | 0.001 | 0.0022 |
| 060 | 6A100-82550 | ASSY COVER A/C | 1 | | | | 0.179 | 0.3938 |
| 070 | 6A100-82570 | SPRING | 2 | | | | 0.005 | 0.011 |
| 080 | 67980-82580 | VALVE UNLOADER | 1 | | | | 0.011 | 0.0242 |
| 090 | 6A100-82630 | ASSY ELEMENT | 1 | | | | 0.3 | 0.66 |
| 100 | 6C040-58233 | BRACKET AIR CLEANER | 1 | | | | 0.54 | 1.188 |
| 110 | 02131-50100 | NUT | 2 | | | | 0.01 | 0.022 |
| 120 | 99999-99999 | BLANK | 0 | | | | 0 | 0 |
| 130 | 6C040-58253 | HOSE INLET | 1 | | | | 0.12 | 0.264 |
| 140 | 15261-11720 | BAND PIPE | 1 | | | | 0.03 | 0.066 |
| 150 | 6C040-58260 | HOSE INLET | 1 | | | | 0.27 | 0.594 |
| 160 | 67955-58260 | BAND AIR CLEANER | 2 | | | | 0.028 | 0.0616 |

AIR CLEANER (DOUBLE) [OPTION]



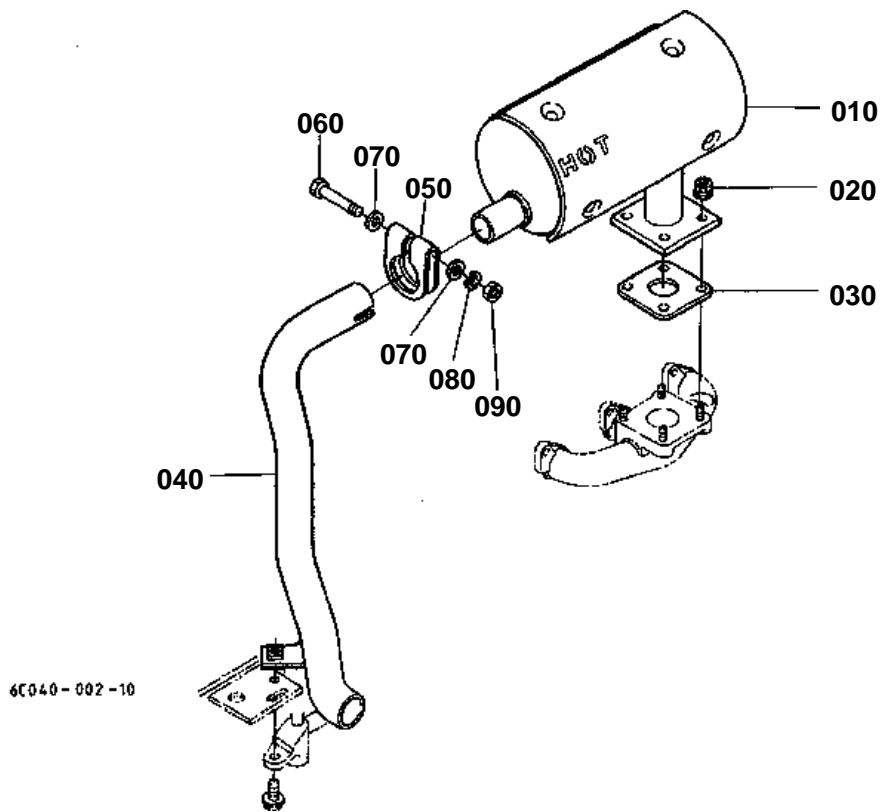
6C040-003-30

**AIR CLEANER (DOUBLE) [OPTION]**

↔ Interchangeable; ≠ not interchangeable; ← new for old; → old for new

| REF.No | Part No. | Description | Q'ty | S.No. | I/C | REMARKS | Weight (kgf) | Weight (lb) |
|--------|-------------|-------------------|------|-------|-----|---------|--------------|-------------|
| 010 | 6C040-94110 | ASSY CLEANER AIR | 1 | | | | 1.44 | 3.168 |
| 020 | 6C040-94210 | ASSY CASE | 1 | | | | 0.68 | 1.496 |
| 030 | 6C040-94220 | ASSY PAN DUST | 1 | | | | 0.26 | 0.572 |
| 040 | 6C040-94230 | RETAINER ELEMENT | 1 | | | | 0.049 | 0.1078 |
| 050 | 6C040-94240 | ELEMENT OUTER | 1 | | | | 0.3 | 0.66 |
| 060 | 6C040-94250 | ELEMENT INNER | 1 | | | | 0.108 | 0.2376 |
| 070 | 6C040-94260 | NUT WING | 2 | | | | 0.001 | 0.0022 |
| 080 | 6C040-94290 | LABEL | 1 | | | | 0.02 | 0.044 |
| 090 | 15222-87480 | LABEL ELEMENT A/C | 1 | | | | 0.001 | 0.0022 |
| 100 | 6C040-94102 | ASSY BRACKET A/C | 1 | | | | 0.53 | 1.166 |
| 110 | 67401-54280 | CUSHION | 1 | | | | 0.01 | 0.022 |
| 120 | 67401-54290 | BAND AIR CLEANER | 1 | | | | 0.06 | 0.132 |

MUFFLER

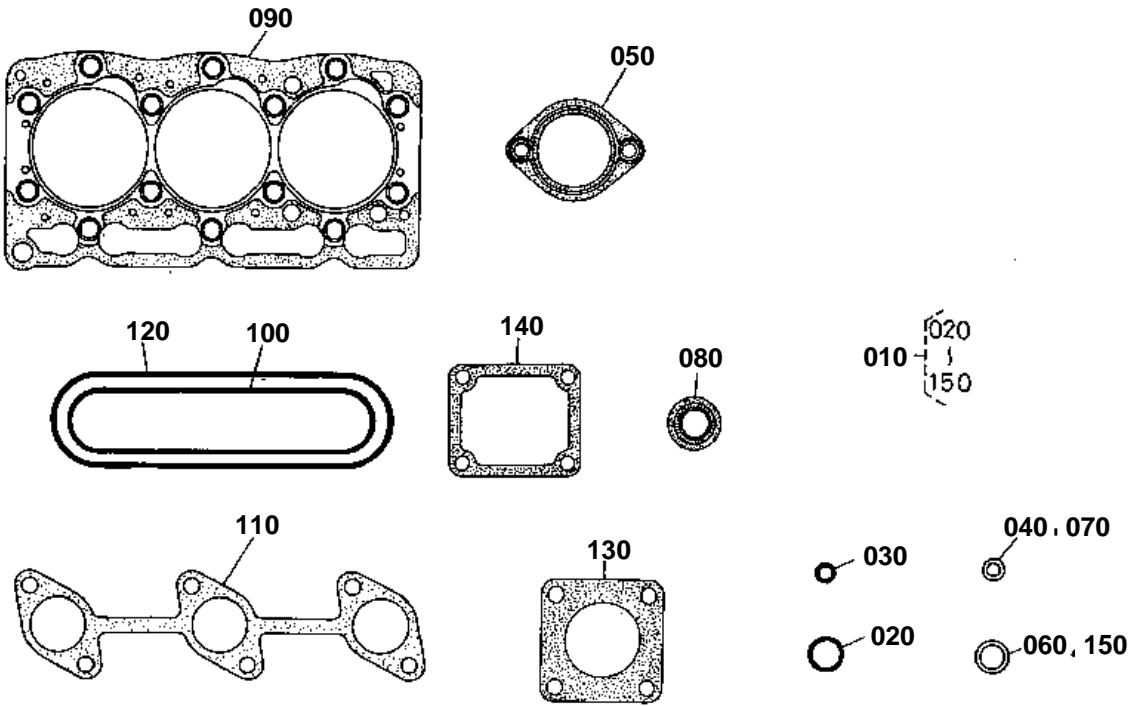


**MUFFLER**

↔ Interchangeable; ≠ not interchangeable; ← new for old; → old for new

| REF.No | Part No. | Description | Q'ty | S.No. | I/C | REMARKS | Weight (kgf) | Weight (lb) |
|--------|-------------|--------------------|------|-------|-----|---------|--------------|-------------|
| 010 | 6C040-58404 | COMP.MUFFLER | 1 | | | | 2.62 | 5.764 |
| 020 | 02121-50080 | NUT | 4 | | | | 0.01 | 0.022 |
| 030 | 15263-12370 | GASKET MUFFLER NA | 1 | | | | 0.015 | 0.033 |
| 040 | 6C040-58424 | PIPE EXHAUST | 1 | | | | 0.52 | 1.144 |
| 050 | 15221-12433 | CLAMP MUFFLER PIPE | 1 | | | | 0.05 | 0.11 |
| 060 | 01153-50865 | BOLT | 1 | | | | 0.025 | 0.055 |
| 070 | 04013-60080 | WASHER PLAIN | 2 | | | | 0.002 | 0.0044 |
| 080 | 04512-60080 | WASHER SPRING | 1 | | | | 0.002 | 0.0044 |
| 090 | 02114-50080 | NUT | 1 | | | | 0.005 | 0.011 |

UPPER GASKET KIT



16216-007-21

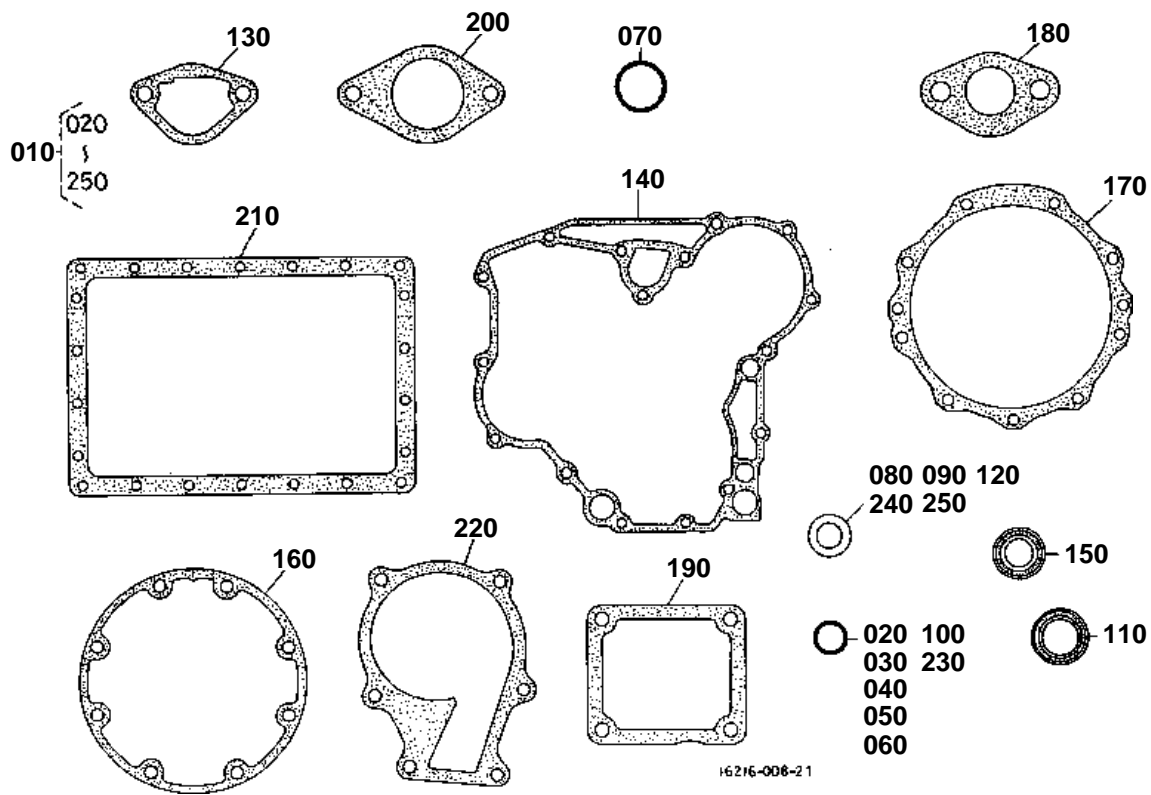


UPPER GASKET KIT

↔ Interchangeable; ≠ not interchangeable; ← new for old; → old for new

| REF.No | Part No. | Description | Q'ty | S.No. | I/C | REMARKS | Weight (kgf) | Weight (lb) |
|--------|-------------|----------------------|------|-------|-----|---------|--------------|-------------|
| 010 | 07916-27786 | KIT GASKET UPPER | 1 | | | | 0.25 | 0.55 |
| 020 | 04816-50300 | O RING | 2 | | | | 0.001 | 0.0022 |
| 030 | 15221-33700 | O RING | 1 | | | | 0.001 | 0.0022 |
| 040 | 15601-96650 | GASKET | 1 | | | | 0.001 | 0.0022 |
| 050 | 15676-73270 | GASKET | 1 | | | | 0.005 | 0.011 |
| 060 | 15841-53622 | GASKET | 3 | | | | 0.002 | 0.0044 |
| 070 | 15951-96660 | GASKET | 3 | | | | 0.001 | 0.0022 |
| 080 | 16241-13150 | SEAL VALVE STEM | 6 | | | | 0.002 | 0.0044 |
| 090 | 16231-03310 | GASKET CYLINDER HEAD | 1 | | | | 0.07 | 0.154 |
| 100 | 16261-11822 | GASKET IN-MANIFOLD | 1 | | | | 0.01 | 0.022 |
| 110 | 16261-12350 | GASKET EX-MANIFOLD | 1 | | | | 0.019 | 0.0418 |
| 120 | 16261-14520 | GASKET HEAD COVER | 1 | | | | 0.01 | 0.022 |
| 130 | 15263-12370 | GASKET MUFFLER NA | 1 | | | | 0.015 | 0.033 |
| 130 | 15313-12370 | GASKET NA | 1 | | | | 0.008 | 0.0176 |
| 140 | 16264-72920 | GASKET WATER FLANGE | 1 | | | | 0.001 | 0.0022 |
| 150 | 16261-96710 | GASKET | 2 | | | | 0.002 | 0.0044 |

LOWER GASKET KIT



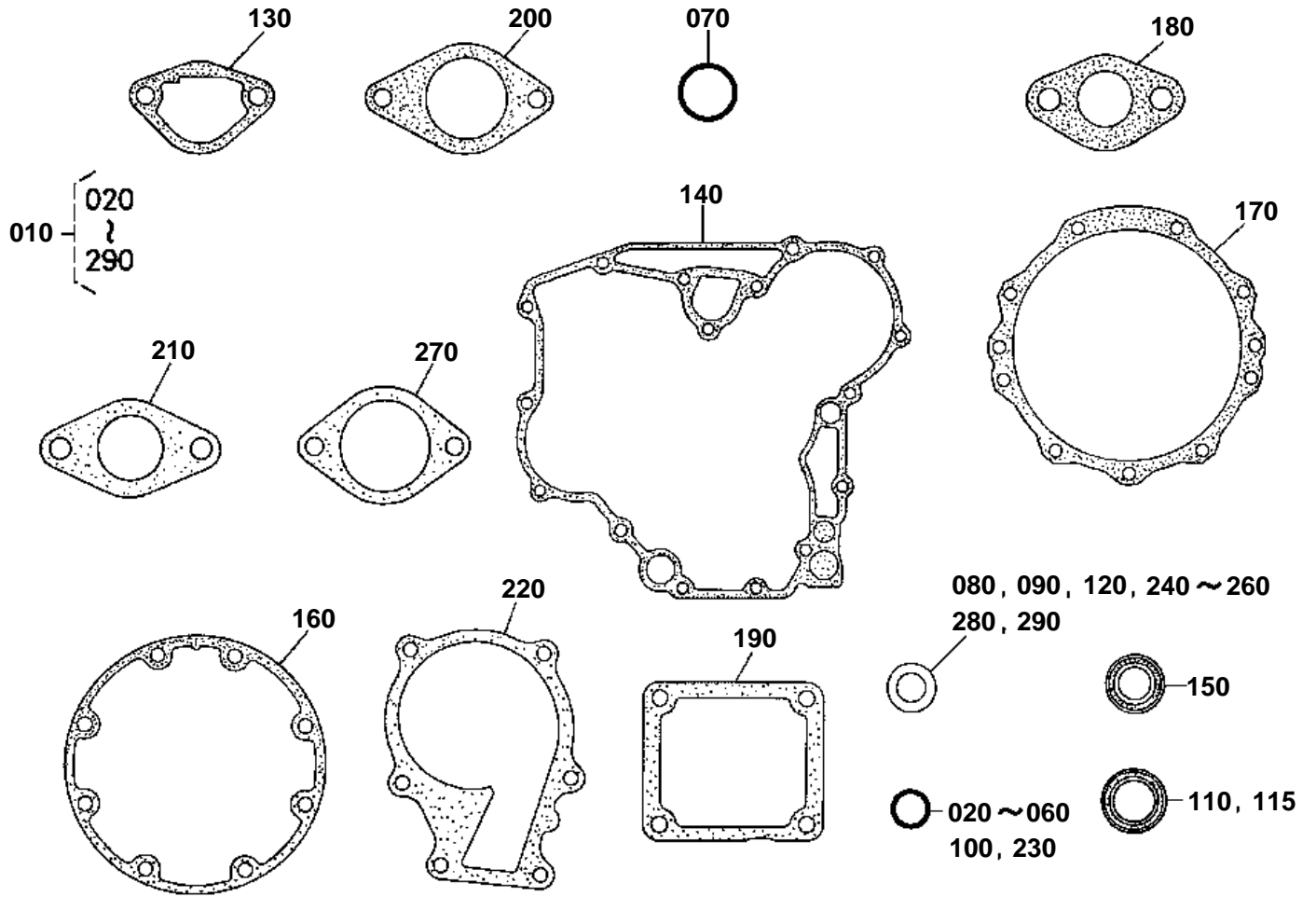


LOWER GASKET KIT
S.No.;<=15685

↔ Interchangeable; ≠ not interchangeable; ← new for old; → old for new

| REF.No | Part No. | Description | Q'ty | S.No. | I/C | REMARKS | Weight (kgf) | Weight (lb) |
|--------|-------------|---------------------|------|-------|-----|---------|--------------|-------------|
| 010 | 07916-27796 | LOWER GASKET KIT | 1 | | | | 0 | 0 |
| 020 | 04814-00100 | O RING | 1 | | | | 0.001 | 0.0022 |
| 030 | 04816-00150 | O RING | 2 | | | | 0.003 | 0.0066 |
| 040 | 04811-00160 | O RING | 1 | | | | 0 | 0 |
| 050 | 04811-06100 | O RING | 2 | | | | 0 | 0 |
| 060 | 04811-10280 | O RING | 1 | | | | 0.001 | 0.0022 |
| 070 | 04811-10460 | O RING | 1 | | | | 0.002 | 0.0044 |
| 080 | 15021-33660 | GASKET | 1 | | | | 0.001 | 0.0022 |
| 090 | 15109-33660 | GASKET | 2 | | | | 0.001 | 0.0022 |
| 100 | 04814-00090 | O RING | 1 | | | | 0.001 | 0.0022 |
| 110 | 16271-04460 | SEAL OIL | 1 | | | | 0.04 | 0.088 |
| 120 | 15601-96650 | GASKET | 5 | | | | 0.001 | 0.0022 |
| 130 | 16264-52140 | GASKET FUEL PUMP | 1 | | | | 0.001 | 0.0022 |
| 140 | 16264-04130 | GASKET GEAR CASE | 1 | | | | 0.01 | 0.022 |
| 150 | 16241-04212 | SEAL OIL | 1 | | | | 0.012 | 0.0264 |
| 160 | 16264-04360 | GASKET BRG.CASE | 1 | | | | 0.002 | 0.0044 |
| 170 | 16264-04820 | GASKET | 1 | | | | 0.008 | 0.0176 |
| 180 | 16299-56260 | GASKET | 1 | | | | 0.002 | 0.0044 |
| 190 | 16264-57210 | GASKET | 1 | | | | 0.002 | 0.0044 |
| 200 | 16264-88130 | GASKET H/METER UNIT | 1 | | | | 0.002 | 0.0044 |
| 210 | 16266-01620 | GASKET OIL PAN | 1 | | | | 0.028 | 0.0616 |
| 220 | 16261-73430 | GASKET WATER PUMP | 1 | | | | 0.001 | 0.0022 |
| 230 | 19202-96750 | O RING | 1 | | | | 0.001 | 0.0022 |
| 240 | 04724-00100 | GASKET | 1 | | | | 0.001 | 0.0022 |
| 250 | 1G031-96650 | GASKET | 1 | | | | 0 | 0 |

LOWER GASKET KIT



16216-008-24

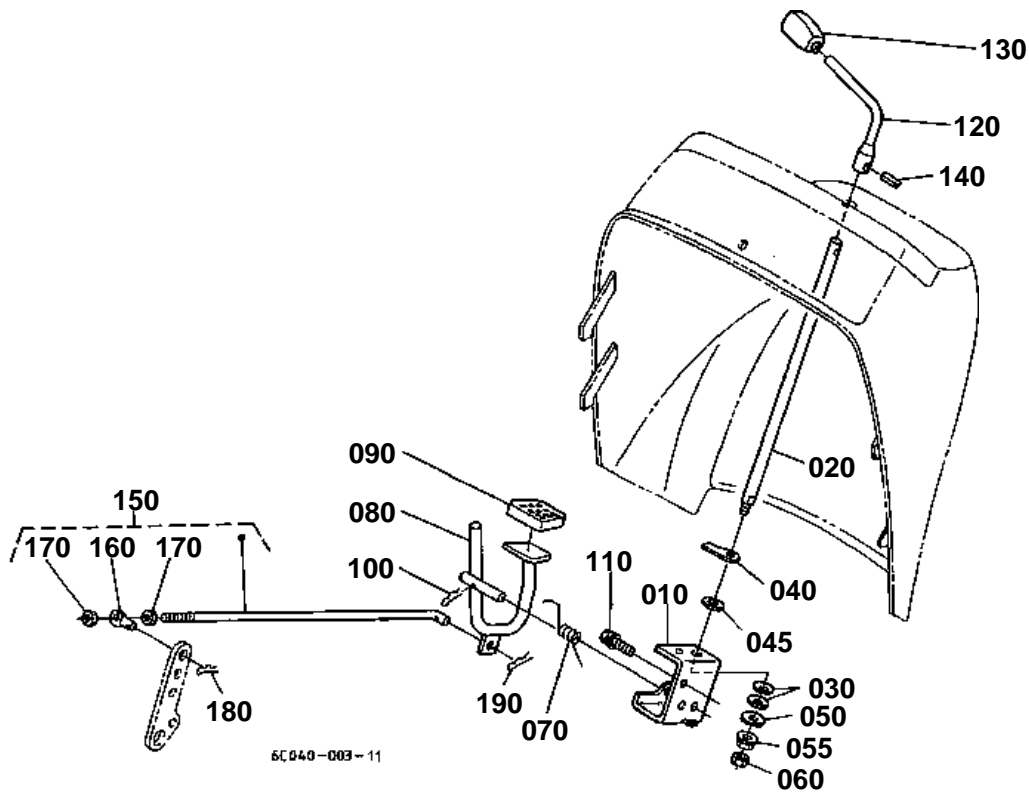


LOWER GASKET KIT
S.No.;>=15686

↔ Interchangeable; ≠ not interchangeable; ← new for old; → old for new

| REF.No | Part No. | Description | Q'ty | S.No. | I/C | REMARKS | Weight (kgf) | Weight (lb) |
|--------|-------------|----------------------|------|-------|-----|------------|--------------|-------------|
| 010 | 07916-27797 | LOWER GASKET KIT | 1 | | | | 0.26 | 0.572 |
| 020 | 04814-00100 | O RING | 1 | | | | 0.001 | 0.0022 |
| 030 | 04814-00150 | RING | 2 | | | | 0.001 | 0.0022 |
| 040 | 04814-00160 | RING | 1 | | | | 0.001 | 0.0022 |
| 050 | 04814-06100 | RING | 2 | | | | 0.003 | 0.0066 |
| 060 | 04814-10280 | RING | 1 | | | | 0.001 | 0.0022 |
| 070 | 04811-10460 | O RING | 1 | | | | 0.002 | 0.0044 |
| 080 | 15021-33660 | GASKET | 1 | | | | 0.001 | 0.0022 |
| 090 | 6C090-58960 | GASKET | 2 | | | | 0.002 | 0.0044 |
| 100 | 04814-00090 | O RING | 1 | | | | 0.001 | 0.0022 |
| 110 | 16241-04460 | SEAL OIL | 1 | | | OUT OF USE | 0.02 | 0.044 |
| 115 | 16271-04460 | SEAL OIL | 1 | | | | 0.04 | 0.088 |
| 120 | 15601-96650 | GASKET | 5 | | | | 0.001 | 0.0022 |
| 130 | 16264-52140 | GASKET FUEL PUMP | 1 | | | | 0.001 | 0.0022 |
| 140 | 16264-04130 | GASKET GEAR CASE | 1 | | | | 0.01 | 0.022 |
| 150 | 16241-04212 | SEAL OIL | 1 | | | | 0.012 | 0.0264 |
| 160 | 16264-04360 | GASKET BRG.CASE | 1 | | | | 0.002 | 0.0044 |
| 170 | 16264-04820 | GASKET | 1 | | | | 0.008 | 0.0176 |
| 180 | 16299-56260 | GASKET | 1 | | | | 0.002 | 0.0044 |
| 190 | 16264-57210 | GASKET | 1 | | | | 0.002 | 0.0044 |
| 200 | 16264-88130 | GASKET H/METER UNIT | 1 | | | | 0.002 | 0.0044 |
| 210 | 16299-60150 | GASKET | 1 | | | | 0.003 | 0.0066 |
| 220 | 16251-73430 | GASKET WATER PUMP | 1 | | | | 0.005 | 0.011 |
| 230 | 04814-10070 | O RING | 1 | | | | 0.001 | 0.0022 |
| 240 | 04724-00100 | GASKET | 1 | | | OUT OF USE | 0.001 | 0.0022 |
| 250 | 1G031-96650 | GASKET | 1 | | | | 0 | 0 |
| 260 | 04714-00200 | GASKET | 1 | | | | 0.002 | 0.0044 |
| 270 | 16299-83110 | GASKET PUMP COVER NA | 1 | | | | 0.005 | 0.011 |
| 280 | 15841-96650 | GASKET | 1 | | | | 0.001 | 0.0022 |
| 290 | 15861-96650 | GASKET | 1 | | | | 0.001 | 0.0022 |

ACCELERATOR LEVER



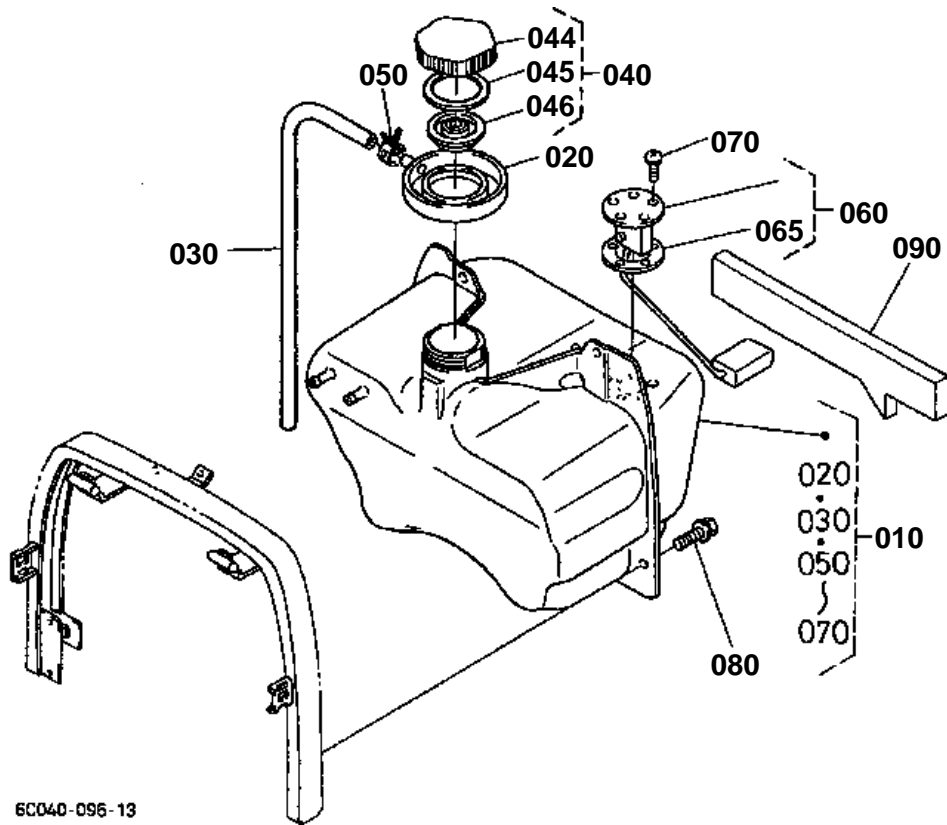


ACCELERATOR LEVER

↔ Interchangeable; ≠ not interchangeable; ← new for old; → old for new

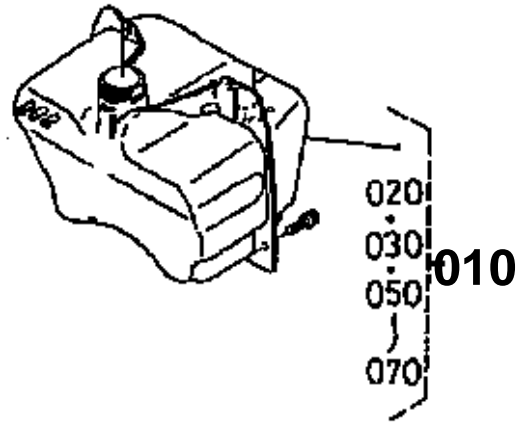
| REF.No | Part No. | Description | Q'ty | S.No. | I/C | REMARKS | Weight (kgf) | Weight (lb) |
|--------|-------------|------------------|------|-------|-----|---------|--------------|-------------|
| 010 | 6C040-43212 | BRACKET ACCEL. | 1 | | | | 0.163 | 0.3586 |
| 020 | 6C040-43220 | ROD ACCEL. | 1 | | | | 0.35 | 0.77 |
| 030 | 66116-51530 | SPRING PLATE | 2 | | | | 0.003 | 0.0066 |
| 040 | 6C040-43250 | ARM ACCELERATOR | 1 | | | | 0.04 | 0.088 |
| 045 | 6C040-43380 | WASHER ACCEL. | 1 | | | | 0.004 | 0.0088 |
| 050 | 04015-60080 | WASHER PLAIN | 1 | | | | 0.01 | 0.022 |
| 055 | 02751-50080 | NUT FLANGE | 1 | | | | 0.006 | 0.0132 |
| 060 | 02156-50080 | NUT | 1 | | | | 0.004 | 0.0088 |
| 070 | 6C040-43290 | SPRING | 1 | | | | 0.005 | 0.011 |
| 080 | 6C040-43230 | PEDAL ACCEL. | 1 | | | | 0.27 | 0.594 |
| 090 | 37410-42760 | COVER PEDAL | 1 | | | | 0.025 | 0.055 |
| 100 | 05525-61000 | PIN SNAP | 1 | | | | 0.002 | 0.0044 |
| 110 | 01125-60820 | BOLT | 1 | | | | 0.015 | 0.033 |
| 120 | 6C040-43244 | LEVER ACCEL. | 1 | | | | 0.115 | 0.253 |
| 130 | TA040-49873 | GRIP | 1 | | | | 0.024 | 0.0528 |
| 140 | 05411-00520 | PIN SPRING | 1 | | | | 0.002 | 0.0044 |
| 150 | 6C040-43300 | ASSY ROD RELEASE | 1 | | | | 0.1 | 0.22 |
| 160 | 6C040-43280 | CONNECTOR | 1 | | | | 0.008 | 0.0176 |
| 170 | 02014-50060 | NUT | 2 | | | | 0.002 | 0.0044 |
| 180 | 05525-50800 | PIN SNAP | 1 | | | | 0.001 | 0.0022 |
| 190 | 05525-60600 | PIN SNAP | 1 | | | | 0.001 | 0.0022 |

FUEL TANK

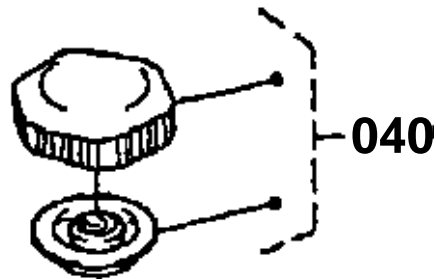


6C040-096-13

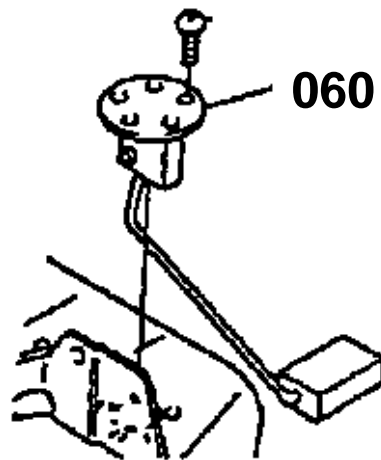
010 6C040-5470-7



040 6C040-5477-0



060 6C040-5475-0



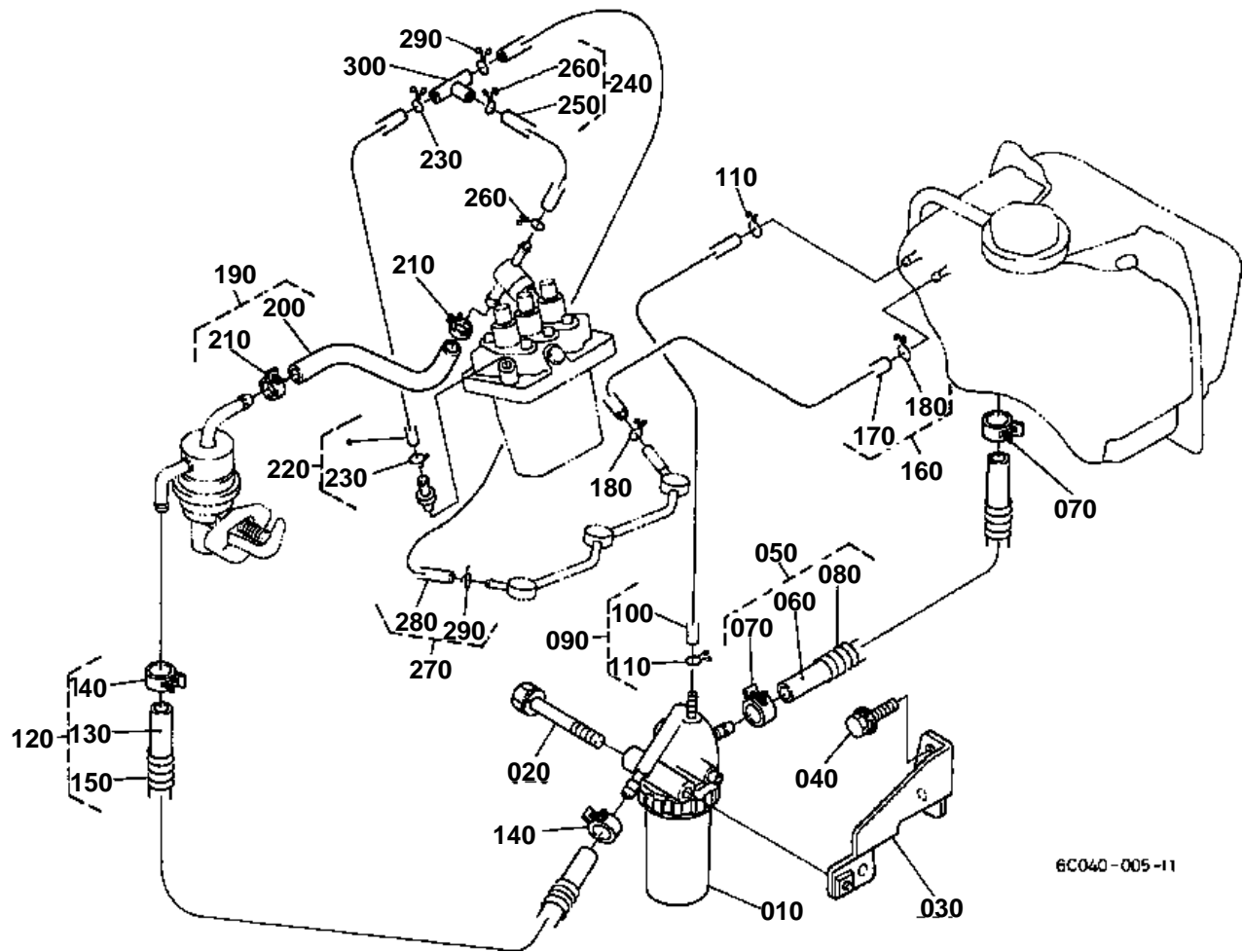
6C040-802-12

**FUEL TANK**

↔ Interchangeable; ≠ not interchangeable; ← new for old; → old for new

| REF.No | Part No. | Description | Q'ty | S.No. | I/C | REMARKS | Weight (kgf) | Weight (lb) |
|--------|-------------|-------------------|------|-------|-----|---------|--------------|-------------|
| 010 | 6C040-54709 | ASSY TANK FUEL | 1 | | | | 4 | 8.8 |
| 020 | 6C040-54740 | TRAY FUEL | 1 | | | | 0.86 | 1.892 |
| 030 | 6C040-54760 | PIPE | 1 | | | | 0 | 0 |
| 040 | 6A100-54910 | ASSY CAP FUEL | 1 | | | | 0.105 | 0.231 |
| 044 | 6A100-54920 | CAP FUEL | 1 | | | | 0.041 | 0.0902 |
| 045 | 6A100-54942 | SPACER | 1 | | | | 0.001 | 0.0022 |
| 046 | 6A100-54952 | GASKET | 1 | | | | 0.02 | 0.044 |
| 050 | 6C040-54780 | CLAMP | 1 | | | | 0.005 | 0.011 |
| 060 | 6C040-54752 | GAUGE FUEL | 1 | | | | 0.14 | 0.308 |
| 065 | 6A320-85812 | GASKET | 1 | | | | 0.005 | 0.011 |
| 070 | 03024-50514 | SCREW WITH WASHER | 5 | | | | 0.003 | 0.0066 |
| 080 | 01127-50820 | BOLT | 4 | | | | 0.02 | 0.044 |
| 090 | 6C040-54790 | SPONGE | 1 | | | | 0.392 | 0.8624 |

FUEL PIPE



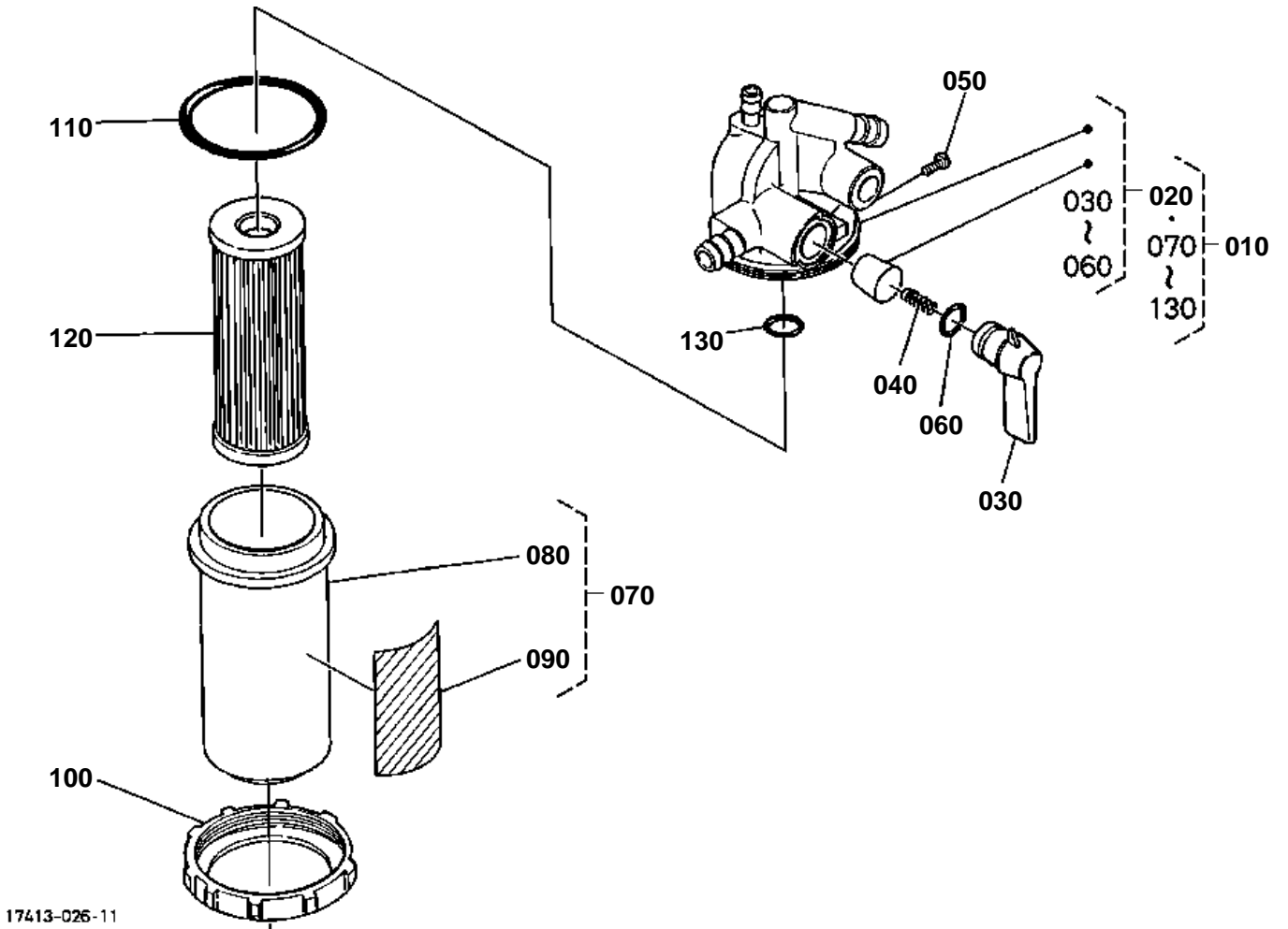
6C040-005-11

**FUEL PIPE**

↔ Interchangeable; ≠ not interchangeable; ← new for old; → old for new

| REF.No | Part No. | Description | Q'ty | S.No. | I/C | REMARKS | Weight (kgf) | Weight (lb) |
|--------|-------------|----------------------|------|-------|-----|---------|--------------|-------------|
| 010 | 15751-43010 | ASSY FILTER FUEL | 1 | | | | 0.41 | 0.902 |
| 020 | 01123-50865 | BOLT | 1 | | | | 0.028 | 0.0616 |
| 030 | 6C040-58310 | STAY FUEL FILTER | 1 | | | | 0.18 | 0.396 |
| 040 | 01125-60820 | BOLT | 1 | | | | 0.015 | 0.033 |
| 050 | 6C040-54810 | ASSY TUBE FUEL | 1 | | | | 0.048 | 0.1056 |
| 060 | 09661-70300 | TUBE FUEL | 1 | | | | 0.04 | 0.088 |
| 070 | 14911-42750 | CLIP PIPE | 2 | | | | 0.002 | 0.0044 |
| 080 | 67111-58320 | SPRING PIPE PROTECT. | 1 | | | | 0.02 | 0.044 |
| 090 | 6C040-54850 | ASSY PIPE AIR VENT | 1 | | | | 0.024 | 0.0528 |
| 100 | 09661-40440 | TUBE FUEL | 1 | | | | 0.025 | 0.055 |
| 110 | 14971-42750 | CLIP PIPE | 2 | | | | 0.001 | 0.0022 |
| 120 | 6C040-59410 | ASSY TUBE FUEL | 1 | | | | 0.058 | 0.1276 |
| 130 | 09661-70380 | TUBE FUEL | 1 | | | | 0.04 | 0.088 |
| 140 | 14911-42750 | CLIP PIPE | 2 | | | | 0.002 | 0.0044 |
| 150 | 76611-53370 | SPRING PIPE PROTECT. | 1 | | | | 0.01 | 0.022 |
| 160 | 6C040-59440 | ASSY PIPE AIR VENT | 1 | | | | 0.022 | 0.0484 |
| 170 | 09661-40400 | TUBE FUEL | 1 | | | | 0.02 | 0.044 |
| 180 | 14971-42750 | CLIP PIPE | 2 | | | | 0.001 | 0.0022 |
| 190 | 16032-42010 | ASSY TUBE FUEL | 1 | | | | 0.012 | 0.0264 |
| 200 | 09661-80075 | TUBE FUEL | 1 | | | | 0.01 | 0.022 |
| 210 | 14911-42750 | CLIP PIPE | 2 | | | | 0.002 | 0.0044 |
| 220 | 17208-42500 | ASSY PIPE OVER FLOW | 1 | | | | 0.007 | 0.0154 |
| 230 | 14971-42750 | CLIP PIPE | 2 | | | | 0.001 | 0.0022 |
| 240 | 16282-42020 | ASSY PIPE OVER FLOW | 1 | | | | 0.01 | 0.022 |
| 250 | 09661-40040 | PIPE FUEL | 1 | | | | 0.005 | 0.011 |
| 260 | 14971-42750 | CLIP PIPE | 2 | | | | 0.001 | 0.0022 |
| 270 | 17208-42030 | ASSY PIPE OVER FLOW | 1 | | | | 0.006 | 0.0132 |
| 280 | 09661-40100 | TUBE FUEL | 1 | | | | 0.006 | 0.0132 |
| 290 | 14971-42750 | CLIP PIPE | 2 | | | | 0.001 | 0.0022 |
| 300 | K3511-58390 | JOINT T-PIPE | 1 | | | | 0.001 | 0.0022 |

FUEL FILTER [COMPONENT PARTS]

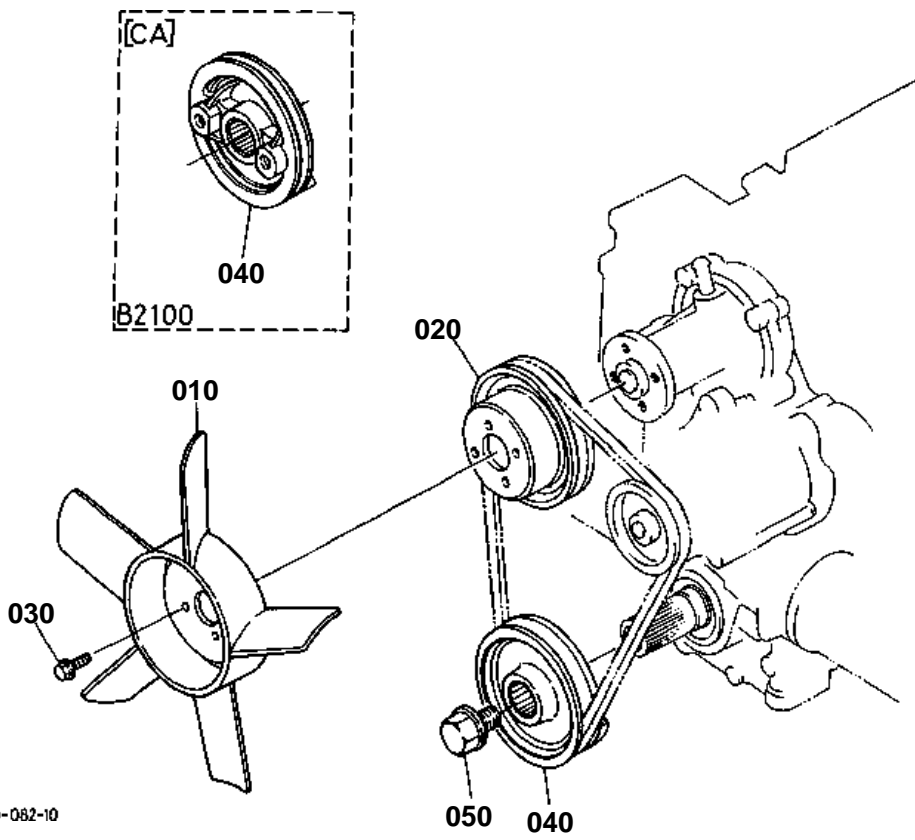




FUEL FILTER [COMPONENT PARTS]

↔ Interchangeable; ≠ not interchangeable; ← new for old; → old for new

| REF.No | Part No. | Description | Q'ty | S.No. | I/C | REMARKS | Weight (kgf) | Weight (lb) |
|--------|-------------|-------------------|------|-------|-----|---------|--------------|-------------|
| 010 | 15751-43010 | ASSY FILTER FUEL | 1 | | | | 0.41 | 0.902 |
| 020 | 15531-43110 | COMP.BODY COCK | 1 | | | | 0.255 | 0.561 |
| 030 | 14301-43522 | LEVER COCK | 1 | | | | 0.024 | 0.0528 |
| 040 | 14301-43820 | SPRING VALVE | 1 | | | | 0.001 | 0.0022 |
| 050 | 14301-43830 | SCREW SET | 1 | | | | 0.001 | 0.0022 |
| 060 | 14301-43840 | O RING LEVER | 1 | | | | 0.001 | 0.0022 |
| 070 | 19204-43100 | ASSY CUP FILTER | 1 | | | | 0.02 | 0.044 |
| 080 | 15393-43580 | CUP FILTER | 1 | | | | 0.01 | 0.022 |
| 090 | 16689-88430 | LABEL FUEL FILTER | 1 | | | | 0.001 | 0.0022 |
| 100 | 14301-43590 | RING RETAINING | 1 | | | | 0.054 | 0.1188 |
| 110 | 14301-43650 | O RING FILTER CUP | 1 | | | | 0.001 | 0.0022 |
| 120 | 15231-43560 | ASSY ELEMENT | 1 | | | | 0.03 | 0.066 |
| 130 | 14301-43570 | O RING FILTER | 1 | | | | 0.001 | 0.0022 |

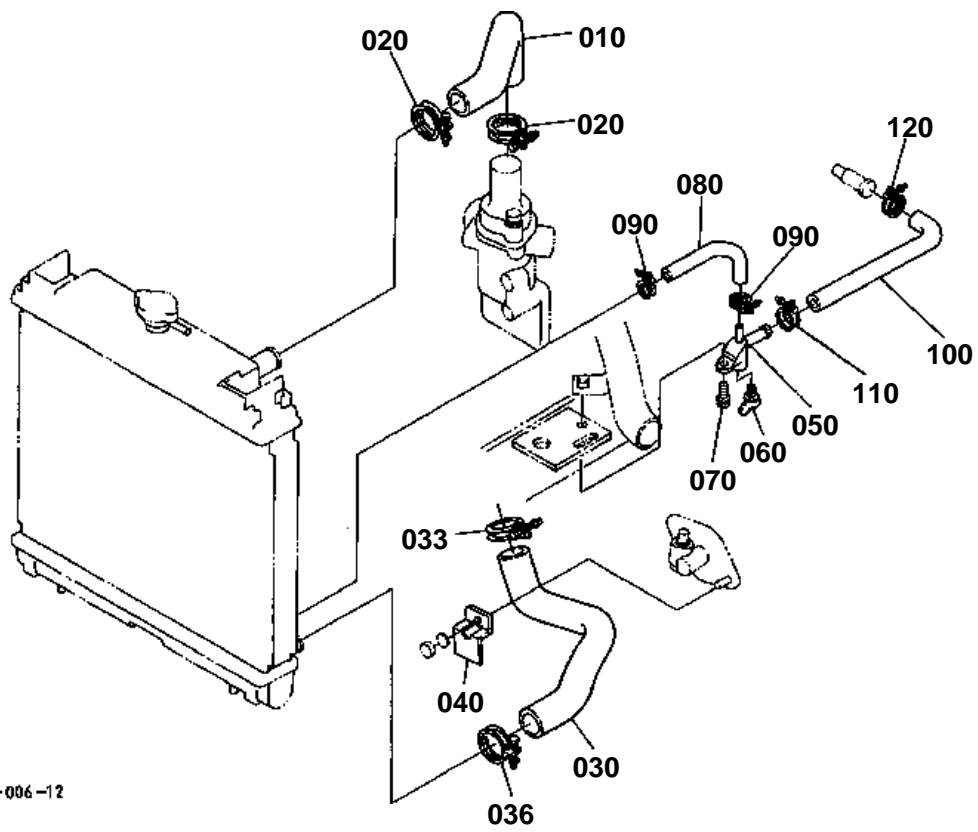


6C040-082-10

**FAN**

↔ Interchangeable; ≠ not interchangeable; ← new for old; → old for new

| REF.No | Part No. | Description | Q'ty | S.No. | I/C | REMARKS | Weight (kgf) | Weight (lb) |
|--------|-------------|------------------|------|-------|-----|---------|--------------|-------------|
| 010 | 6C040-58510 | FAN | 1 | | | | 0.37 | 0.814 |
| 020 | 16241-74250 | PULLEY FAN | 1 | | | | 0.24 | 0.528 |
| 030 | 01754-50612 | BOLT FLANGE | 4 | | | | 0.005 | 0.011 |
| 040 | 16261-74280 | PULLEY FAN DRIVE | 1 | | | [A] | 1.14 | 2.508 |
| 040 | 16380-74280 | PULLEY FAN DRIVE | 1 | | | [CA] | 1.25 | 2.75 |
| 050 | 16241-91020 | BOLT | 1 | | | | 0.1 | 0.22 |



6C040-006-12

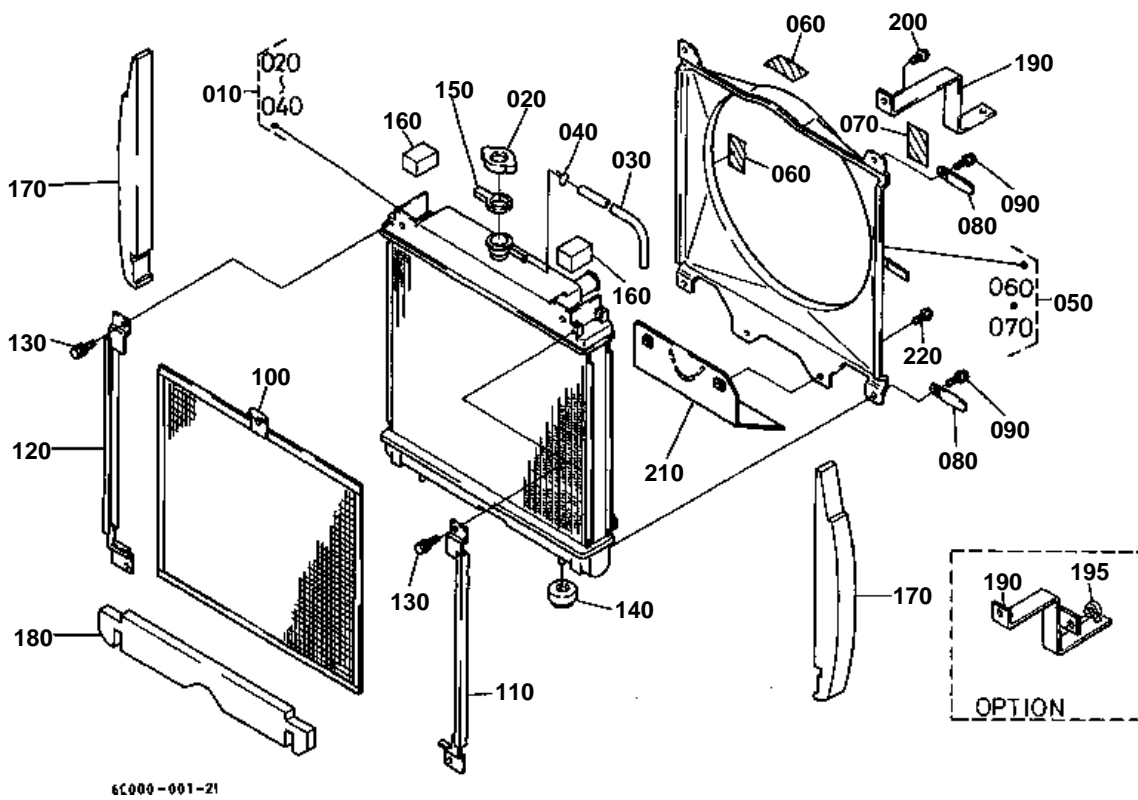


WATER PIPE

↔ Interchangeable; ≠ not interchangeable; ← new for old; → old for new

| REF.No | Part No. | Description | Q'ty | S.No. | I/C | REMARKS | Weight (kgf) | Weight (lb) |
|--------|-------------|------------------|------|-------|-----|---------|--------------|-------------|
| 010 | 6C040-58630 | HOSE WATER | 1 | | | | 0.095 | 0.209 |
| 020 | 67955-58630 | CLAMP HOSE | 2 | | | | 0.025 | 0.055 |
| 030 | 6C040-58570 | HOSE WATER | 1 | | | | 0.015 | 0.033 |
| 033 | 67955-58630 | CLAMP HOSE | 1 | | | | 0.025 | 0.055 |
| 036 | 67955-58630 | CLAMP HOSE | 1 | | | | 0.025 | 0.055 |
| 040 | 6C040-58640 | CLAMP WATER HOSE | 1 | | | | 0.031 | 0.0682 |
| 050 | 6C040-58650 | COCK | 1 | | | | 0.017 | 0.0374 |
| 060 | 55364-82110 | COCK DRAIN | 1 | | | | 0.005 | 0.011 |
| 070 | 01125-50822 | BOLT | 1 | | | | 0.015 | 0.033 |
| 080 | 6C040-58680 | HOSE DRAIN | 1 | | | | 0.023 | 0.0506 |
| 090 | 6C040-58720 | CLAMP HOSE | 2 | | | | 0.017 | 0.0374 |
| 100 | 6C040-58690 | HOSE DRAIN | 1 | | | | 0.05 | 0.11 |
| 110 | 6C040-58730 | CLAMP HOSE | 1 | | | | 0.017 | 0.0374 |
| 120 | 6C040-58730 | CLAMP HOSE | 1 | | | | 0.017 | 0.0374 |

RADIATOR



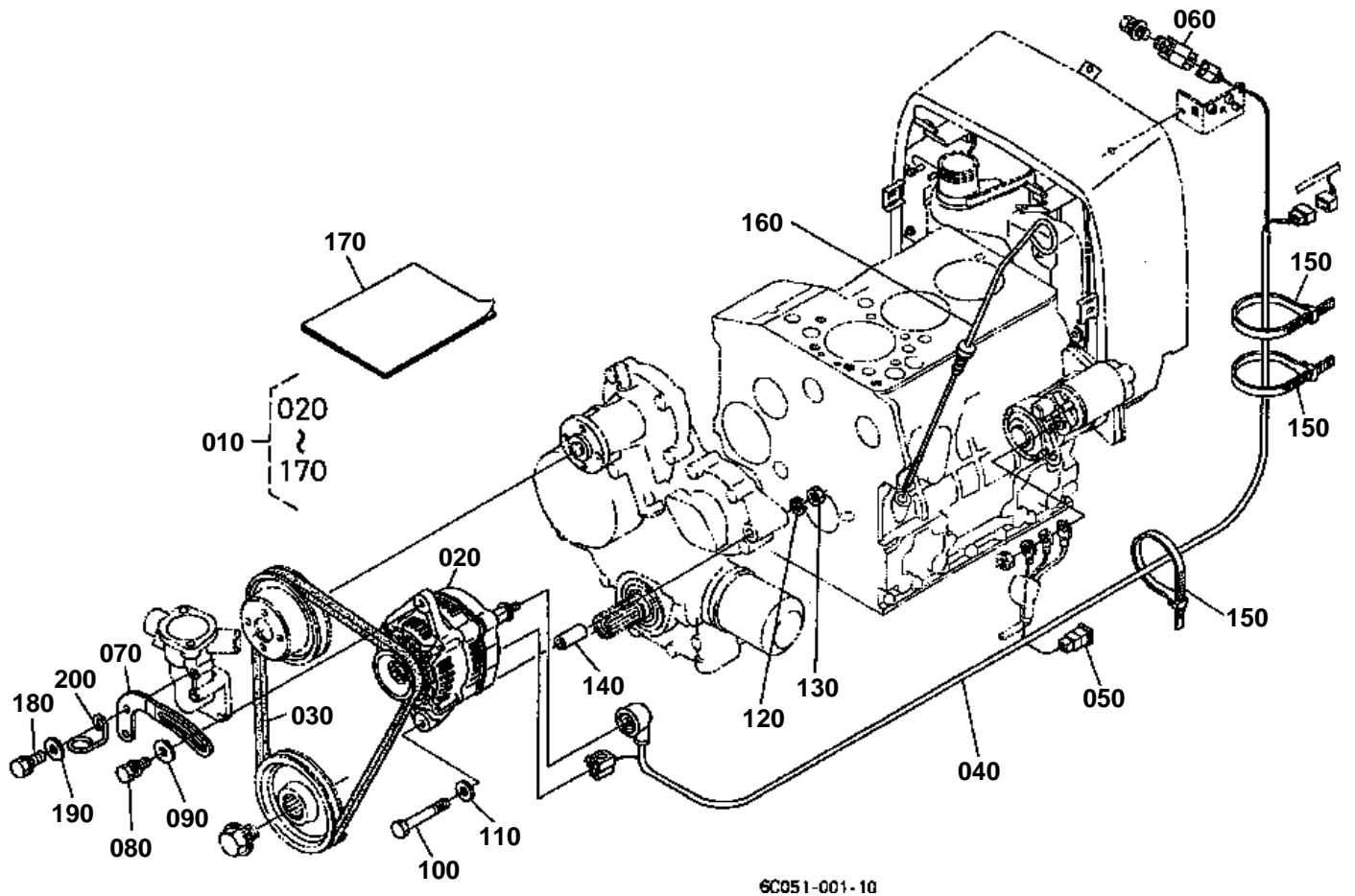


RADIATOR

↔ Interchangeable; ≠ not interchangeable; ← new for old; → old for new

| REF.No | Part No. | Description | Q'ty | S.No. | I/C | REMARKS | Weight (kgf) | Weight (lb) |
|--------|-------------|----------------------|------|-------|-----|-------------------------|--------------|-------------|
| 010 | 6C040-58520 | ASSY RADIATOR | 1 | | | | 5.18 | 11.396 |
| 020 | 17214-72020 | ASSY CAP RADIATOR | 1 | | | | 0.05 | 0.11 |
| 030 | 6C040-58670 | HOSE OVER FLOW | 1 | | | | 0.055 | 0.121 |
| 040 | 6C040-58710 | CLIP | 1 | | | | 0.002 | 0.0044 |
| 050 | 6C040-58602 | KIT SHROUD FAN | 1 | | | | 0.7 | 1.54 |
| 060 | 32751-49580 | LABEL FAN BELT | 2 | | | | 0.001 | 0.0022 |
| 070 | TA040-49580 | LABEL MUFFLER | 1 | | | | 0.001 | 0.0022 |
| 080 | 15272-67590 | CLAMP CORD | 2 | | | | 0.004 | 0.0088 |
| 090 | 01025-50612 | BOLT | 4 | | | | 0.005 | 0.011 |
| 100 | 6C040-58530 | NET RADIATOR | 1 | | | | 0.25 | 0.55 |
| 110 | 6C040-58540 | GUIDE RADIATOR NET L | 1 | | | | 0.114 | 0.2508 |
| 120 | 6C040-58550 | GUIDE RADIATOR NET R | 1 | | | | 0.114 | 0.2508 |
| 130 | 01025-50612 | BOLT | 4 | | | | 0.005 | 0.011 |
| 140 | 6C040-58580 | CUSHION RADIATOR | 2 | | | | 0.021 | 0.0462 |
| 150 | 6C040-54520 | SPONGE | 1 | | | | 0.005 | 0.011 |
| 160 | 6C090-54490 | SPONGE | 2 | | | | 0.004 | 0.0088 |
| 170 | 6C040-54454 | TAPE RADIATOR LH | 2 | | | | 0.033 | 0.0726 |
| 180 | 6C040-54472 | TAPE RADIATOR | 1 | | | | 0.027 | 0.0594 |
| 190 | 6C040-58590 | STAY RADIATOR | 1 | | | | 0 | 0 |
| 190 | 6C040-94130 | STAY RADIATOR | 1 | | | OPTION(WITH DOUBLE A/C) | 0.197 | 0.4334 |
| 195 | 38240-29870 | CUSHION | 1 | | | OPTION(WITH DOUBLE A/C) | 0.004 | 0.0088 |
| 200 | 01025-50616 | BOLT | 2 | | | | 0.005 | 0.011 |
| 210 | 6C040-78620 | PLATE SHUTTER | 1 | | | | 0.198 | 0.4356 |
| 220 | 01125-60816 | BOLT | 2 | | | | 0.01 | 0.022 |

ALTERNATOR [CA]



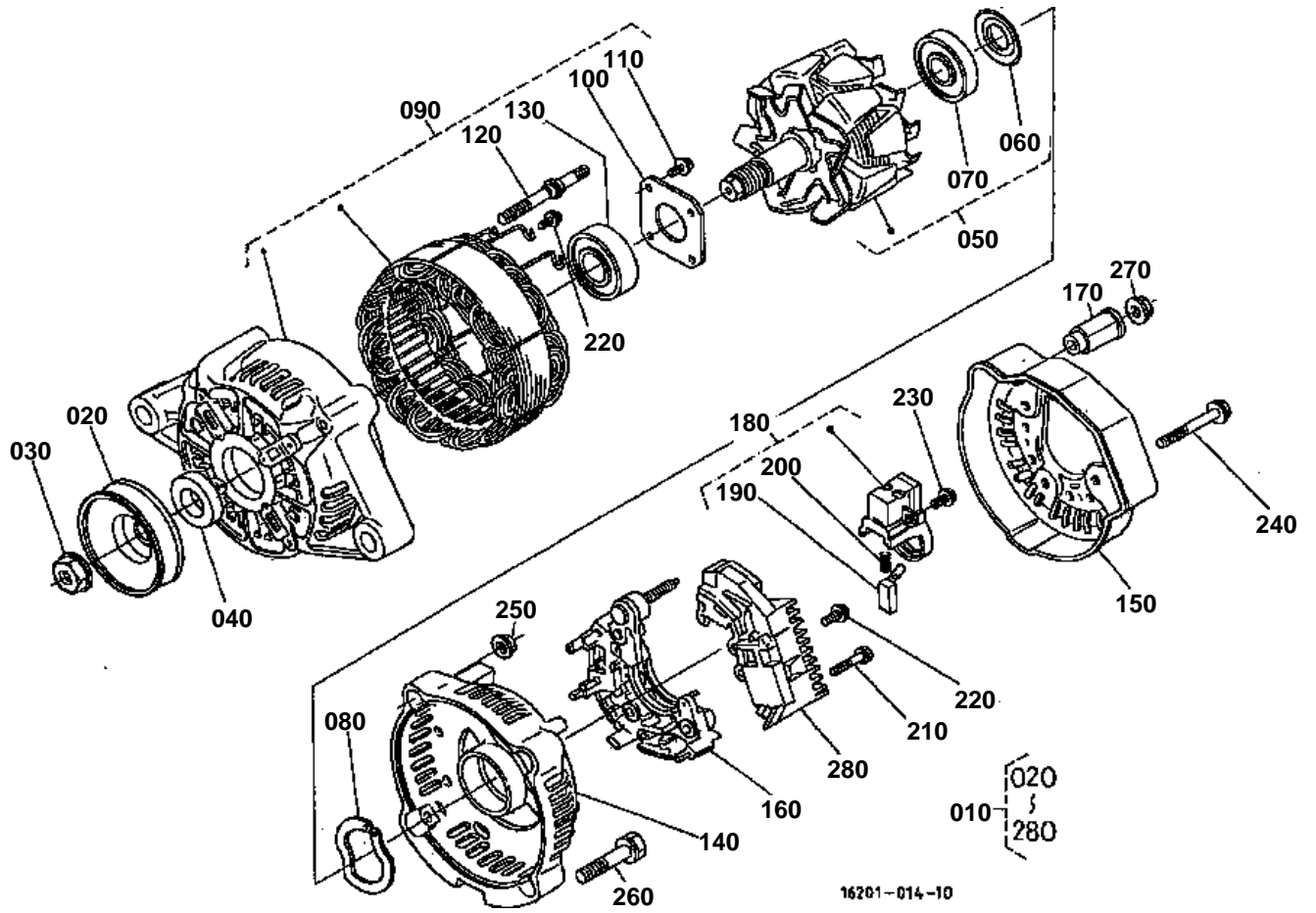
SC051-001-10

**ALTERNATOR [CA]**

↔ Interchangeable; ≠ not interchangeable; ← new for old; → old for new

| REF.No | Part No. | Description | Q'ty | S.No. | I/C | REMARKS | Weight (kgf) | Weight (lb) |
|--------|-------------|----------------------|------|-------|-----|---------|--------------|-------------|
| 010 | 6C040-95300 | KIT ALTERNATOR | 1 | | | | 0 | 0 |
| 020 | 16241-64012 | ASSY ALTERNATOR | 1 | | | | 3 | 6.6 |
| 030 | 14911-97010 | V BELT | 1 | | | | 0.084 | 0.1848 |
| 040 | 6C040-95310 | ASSY WIRE HARNESS | 1 | | | | 0.12 | 0.264 |
| 050 | 17478-60080 | FUSE | 1 | | | | 0.008 | 0.0176 |
| 060 | 68881-53540 | COMP.RELAY | 1 | | | | 0.04 | 0.088 |
| 070 | 16241-64420 | STAY DYNAMO | 1 | | | | 0.095 | 0.209 |
| 080 | 01123-50825 | BOLT | 1 | | | | 0.013 | 0.0286 |
| 090 | 04015-60080 | WASHER PLAIN | 1 | | | | 0.01 | 0.022 |
| 100 | 01173-51085 | BOLT | 1 | | | | 0.051 | 0.1122 |
| 110 | 04011-50100 | WASHER PLAIN | 1 | | | | 0.002 | 0.0044 |
| 120 | 04512-60100 | WASHER SPRING | 1 | | | | 0.002 | 0.0044 |
| 130 | 02176-50100 | NUT | 1 | | | | 0.005 | 0.011 |
| 140 | 6C040-95330 | COLLAR ALTERNATOR | 1 | | | | 0.031 | 0.0682 |
| 150 | 53581-64150 | BAND CORD | 3 | | | | 0.002 | 0.0044 |
| 160 | 16224-36410 | GAUGE OIL | 1 | | | | 0.057 | 0.1254 |
| 170 | 6C040-95340 | MANUAL ALTERNATOR K. | 1 | | | | 0.009 | 0.0198 |
| 180 | 01023-50618 | BOLT | 1 | | | | 0.006 | 0.0132 |
| 190 | 04012-50060 | WASHER PLAIN | 1 | | | | 0.001 | 0.0022 |
| 200 | 16271-83370 | CLAMP CORD | 1 | | | | 0.005 | 0.011 |

ALTERNATOR [COMPONENT PARTS] [CA]

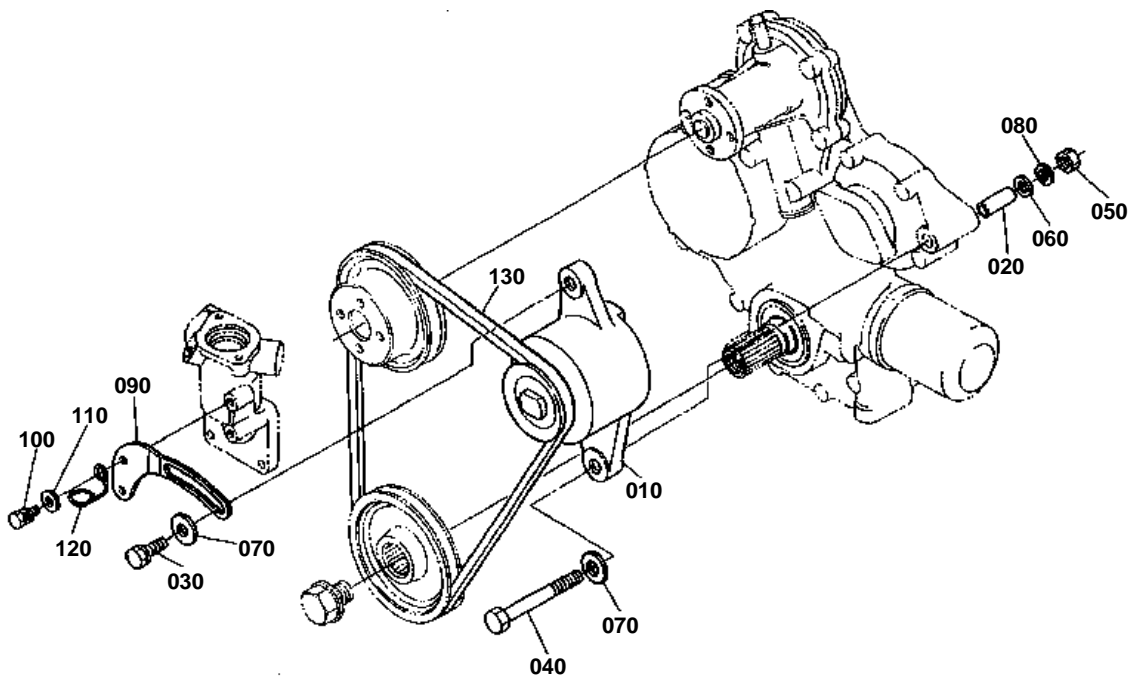


**ALTERNATOR [COMPONENT PARTS] [CA]**

↔ Interchangeable; ≠ not interchangeable; ← new for old; → old for new

| REF.No | Part No. | Description | Q'ty | S.No. | I/C | REMARKS | Weight (kgf) | Weight (lb) |
|--------|-------------|------------------|------|-------|-----|---------|--------------|-------------|
| 010 | 16241-64012 | ASSY ALTERNATOR | 1 | | | | 3 | 6.6 |
| 020 | 15881-64110 | PULLEY DYNAMO | 1 | | | | 0.16 | 0.352 |
| 030 | 15881-92010 | NUT | 1 | | | | 0.02 | 0.044 |
| 040 | 15881-64150 | COLLAR | 1 | | | | 0.004 | 0.0088 |
| 050 | 66436-64040 | ROTOR | 1 | | | | 1.2 | 2.64 |
| 060 | 15881-64800 | COVER BEARING | 1 | | | | 0.001 | 0.0022 |
| 070 | 15881-64770 | BEARING BALL | 1 | | | | 0.04 | 0.088 |
| 080 | 15881-64810 | WASHER THRUST | 1 | | | | 0.002 | 0.0044 |
| 090 | 15881-64020 | FRAME DRIVE END | 1 | | | | 1.2 | 2.64 |
| 100 | 15881-64710 | PLATE RETAINER | 1 | | | | 0.01 | 0.022 |
| 110 | 15881-93010 | SCREW ROUND HEAD | 4 | | | | 0.003 | 0.0066 |
| 120 | 15881-64260 | BOLT THROUGH | 2 | | | | 0.01 | 0.022 |
| 130 | 15881-64780 | BEARING BALL | 1 | | | | 0.05 | 0.11 |
| 140 | 16241-64060 | FRAME END | 1 | | | | 0.2 | 0.44 |
| 150 | 16241-64230 | COVER END | 1 | | | | 0 | 0 |
| 160 | 16241-64850 | ASSY RECTIFIER | 1 | | | | 0 | 0 |
| 170 | 16241-64900 | BUSH INSULATION | 1 | | | | 0.007 | 0.0154 |
| 180 | 15881-64310 | HOLDER BRUSH | 1 | | | | 0.025 | 0.055 |
| 190 | 15881-64090 | BRUSH | 2 | | | | 0.002 | 0.0044 |
| 200 | 15881-64330 | SPRING BRUSH | 2 | | | | 0.002 | 0.0044 |
| 210 | 15881-93020 | SCREW ROUND HEAD | 2 | | | | 0.005 | 0.011 |
| 220 | 15881-93030 | SCREW ROUND HEAD | 6 | | | | 0.003 | 0.0066 |
| 230 | 15881-93040 | SCREW ROUND HEAD | 1 | | | | 0.003 | 0.0066 |
| 240 | 15881-91040 | BOLT | 3 | | | | 0.005 | 0.011 |
| 250 | 15881-92020 | NUT | 2 | | | | 0.02 | 0.044 |
| 260 | 15881-91050 | BOLT | 2 | | | | 0.01 | 0.022 |
| 270 | 14182-92030 | NUT | 1 | | | | 0.003 | 0.0066 |
| 280 | 15881-64600 | ASSY REGULATOR | 1 | | | | 0 | 0 |

DYNAMO



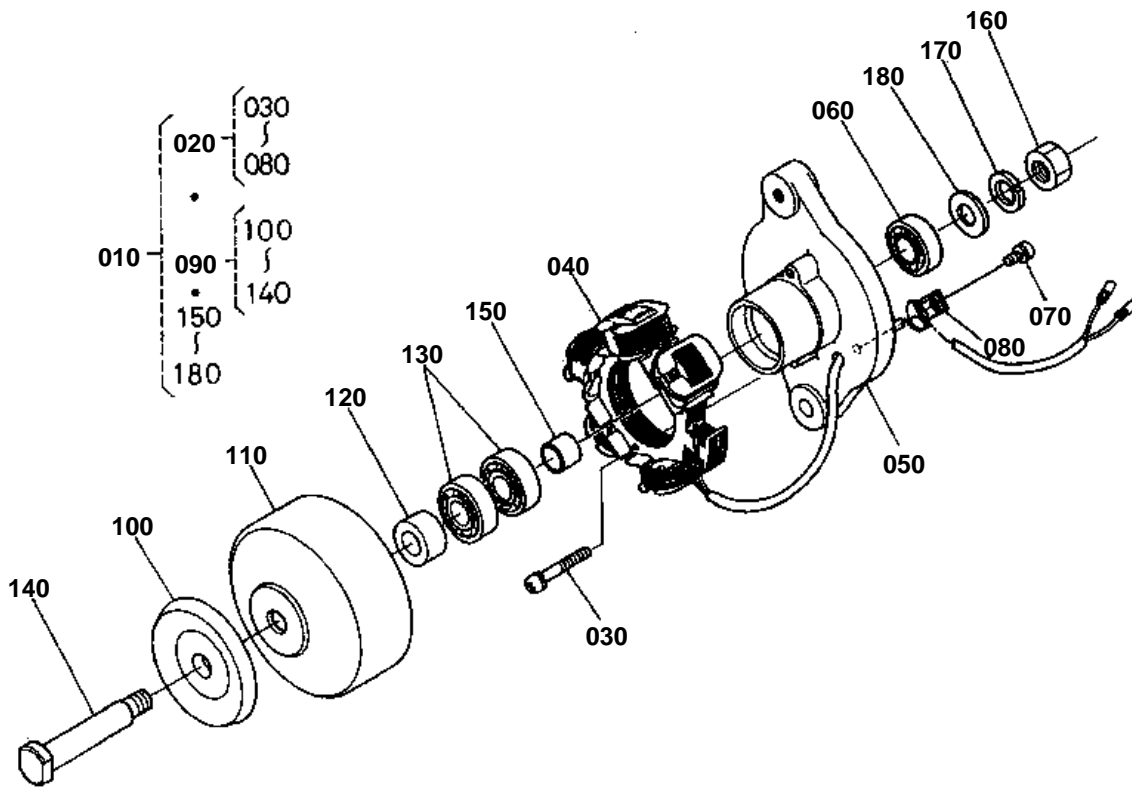
6C 040-002-20



DYNAMO
B1700E:ALL,B2100E:[A],B2400E:ALL

↔ Interchangeable; ≠ not interchangeable; ← new for old; → old for new

| REF.No | Part No. | Description | Q'ty | S.No. | I/C | REMARKS | Weight (kgf) | Weight (lb) |
|--------|-------------|---------------|------|---------|-----|---------|--------------|-------------|
| 010 | 6C040-59250 | ASSY DYNAMO | 1 | | | | 1.33 | 2.926 |
| 020 | 6C040-59310 | COLLAR | 1 | | | | 0.005 | 0.011 |
| 030 | 01123-50825 | BOLT | 1 | ≤741870 | | | 0.013 | 0.0286 |
| 030 | 01123-50825 | BOLT | 1 | ≥10001 | | | 0.013 | 0.0286 |
| 030 | 01123-50830 | BOLT | 1 | ≥139736 | ↔ | | 0.015 | 0.033 |
| 040 | 01153-50860 | BOLT | 1 | | | | 0.024 | 0.0528 |
| 050 | 02112-50080 | NUT | 1 | | | | 0.003 | 0.0066 |
| 060 | 04012-50080 | WASHER PLAIN | 1 | | | | 0.001 | 0.0022 |
| 070 | 04015-60080 | WASHER PLAIN | 1 | | | | 0.01 | 0.022 |
| 080 | 04512-60080 | WASHER SPRING | 1 | | | | 0.002 | 0.0044 |
| 090 | 16225-64420 | STAY DYNAMO | 1 | | | | 0.084 | 0.1848 |
| 100 | 01023-50618 | BOLT | 1 | | | | 0.006 | 0.0132 |
| 110 | 04012-50060 | WASHER PLAIN | 1 | | | | 0.001 | 0.0022 |
| 120 | 16271-83370 | CLAMP CORD | 1 | | | | 0.005 | 0.011 |
| 130 | 19482-72530 | BELT FAN | 1 | | | | 0.08 | 0.176 |



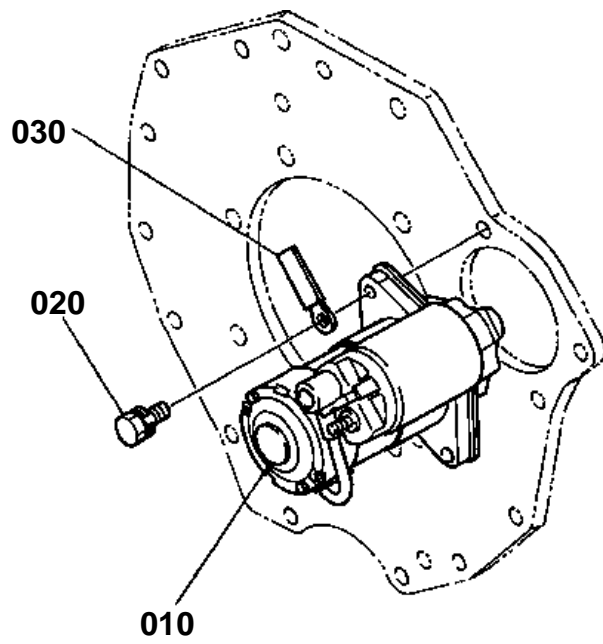
6C040-009-10



DYNAMO [COMPONENT PARTS]
B1700E:ALL,B2100E:[A],B2400E:ALL

↔ Interchangeable; ≠ not interchangeable; ← new for old; → old for new

| REF.No | Part No. | Description | Q'ty | S.No. | I/C | REMARKS | Weight (kgf) | Weight (lb) |
|--------|-------------|------------------|------|-------|-----|---------|--------------|-------------|
| 010 | 6C040-59250 | ASSY DYNAMO | 1 | | | | 1.33 | 2.926 |
| 020 | 6C040-59260 | COMP.STATOR | 1 | | | | 0.55 | 1.21 |
| 030 | 15261-93010 | SCREW ROUND HEAD | 2 | | | | 0.003 | 0.0066 |
| 040 | 15531-64292 | STATOR | 1 | | | | 0.29 | 0.638 |
| 050 | 6C040-82880 | PLATE | 1 | | | | 0.267 | 0.5874 |
| 060 | 15531-74180 | BEARING BALL | 1 | | | | 0.04 | 0.088 |
| 070 | 15531-93010 | SCREW ROUND HEAD | 1 | | | | 0.002 | 0.0044 |
| 080 | 15531-64190 | CLAMP CORD | 1 | | | | 0.005 | 0.011 |
| 090 | 6C040-59270 | COMP.FLYWHEEL | 1 | | | | 0.75 | 1.65 |
| 100 | 15531-64110 | PULLEY | 1 | | | | 0.15 | 0.33 |
| 110 | 6C040-82850 | FLYWHEEL DYNAMO | 1 | | | | 0.48 | 1.056 |
| 120 | 6C040-82860 | COLLAR | 1 | | | | 0.014 | 0.0308 |
| 130 | 15531-74180 | BEARING BALL | 2 | | | | 0.04 | 0.088 |
| 140 | 6C040-82870 | SHAFT | 1 | | | | 0.075 | 0.165 |
| 150 | 15261-64150 | COLLAR | 1 | | | | 0.02 | 0.044 |
| 160 | 15261-92030 | NUT | 1 | | | | 0.01 | 0.022 |
| 170 | 15261-94070 | WASHER SPRING | 1 | | | | 0.003 | 0.0066 |
| 180 | 15261-94020 | WASHER PLAIN | 1 | | | | 0.007 | 0.0154 |



6C040-011-10

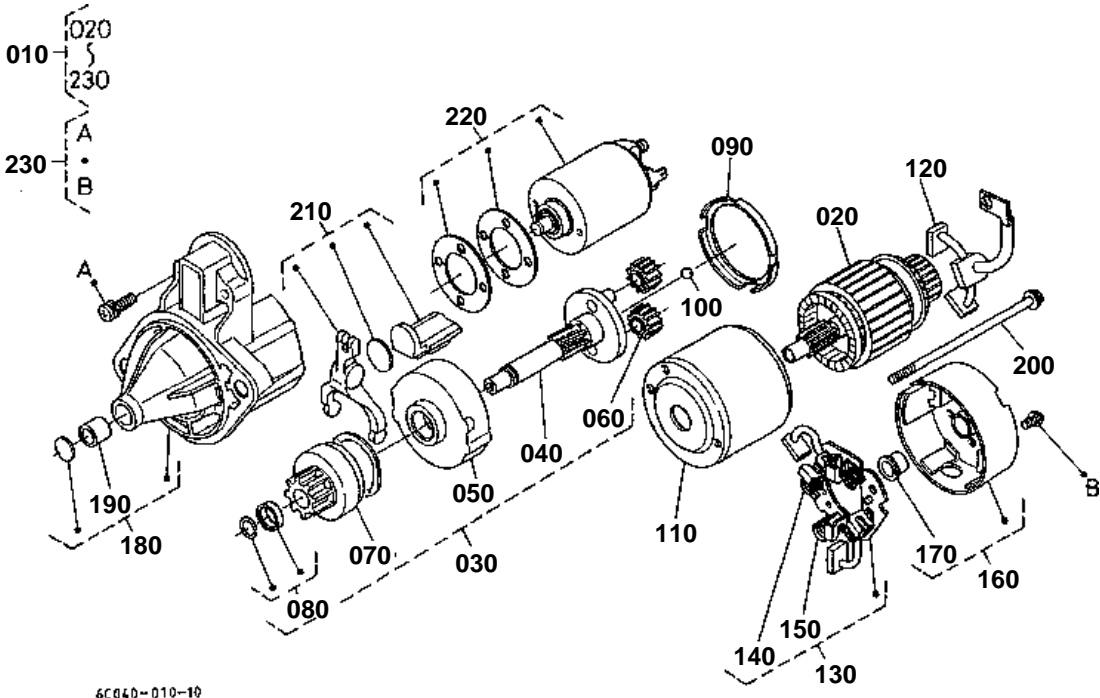


STARTER

↔ Interchangeable; ≠ not interchangeable; ← new for old; → old for new

| REF.No | Part No. | Description | Q'ty | S.No. | I/C | REMARKS | Weight (kgf) | Weight (lb) |
|--------|-------------|--------------|------|-------|-----|---------|--------------|-------------|
| 010 | 6C140-59210 | ASSY STARTER | 1 | | | | 2.75 | 6.05 |
| 020 | 01123-50840 | BOLT | 2 | | | | 0.018 | 0.0396 |
| 030 | 13824-67580 | CLAMP CORD | 1 | | | | 0.006 | 0.0132 |

STARTER [COMPONENT PARTS]



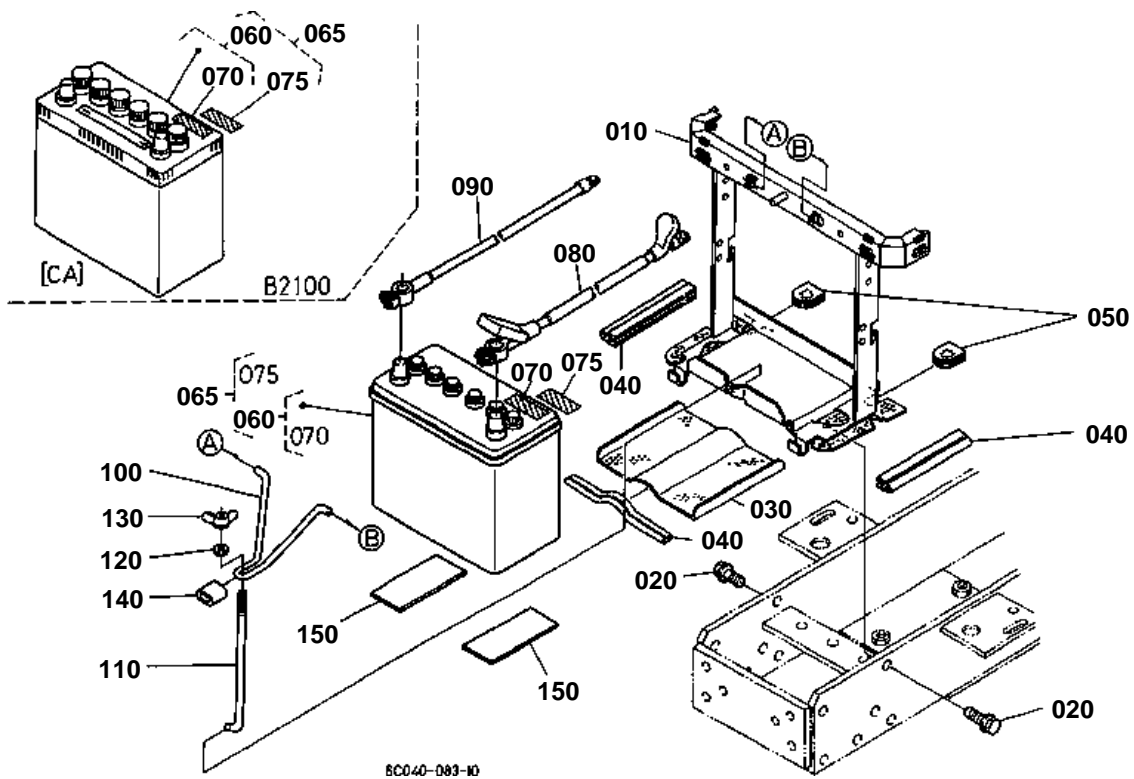
6C040-010-10

**STARTER [COMPONENT PARTS]**

↔ Interchangeable; ≠ not interchangeable; ← new for old; → old for new

| REF.No | Part No. | Description | Q'ty | S.No. | I/C | REMARKS | Weight (kgf) | Weight (lb) |
|--------|-------------|----------------------|------|-------|-----|---------|--------------|-------------|
| 010 | 6C140-59210 | ASSY STARTER | 1 | | | | 2.75 | 6.05 |
| 020 | 6C040-82610 | ARMATURE | 1 | | | | 0.57 | 1.254 |
| 030 | 6C040-82620 | ASSY SHAFT | 1 | | | | 0.5 | 1.1 |
| 040 | 6C040-82630 | GEAR-SHAFT | 1 | | | | 0.165 | 0.363 |
| 050 | 6C040-82640 | GEAR INTERNAL | 1 | | | | 0.047 | 0.1034 |
| 060 | 6C040-82650 | GEAR PLANETARY | 2 | | | | 0.016 | 0.0352 |
| 070 | 6C040-82660 | CLUTCH OVER RUNNING | 1 | | | | 0.3 | 0.66 |
| 080 | 6C040-82670 | STOPPER | 1 | | | | 0.004 | 0.0088 |
| 090 | 6C040-82680 | GASKET | 1 | | | | 0.003 | 0.0066 |
| 100 | 6C040-82690 | BALL | 1 | | | | 0.001 | 0.0022 |
| 110 | 6C040-82700 | YOKE | 1 | | | | 0.4 | 0.88 |
| 120 | 6C040-82710 | BRUSH | 1 | | | | 0.032 | 0.0704 |
| 130 | 6C040-82720 | ASSY HOLDER BRUSH | 1 | | | | 0.05 | 0.11 |
| 140 | 6C040-82730 | SPRING BRUSH | 2 | | | | 0.001 | 0.0022 |
| 150 | 6C040-82740 | SPRING BRUSH | 2 | | | | 0.001 | 0.0022 |
| 160 | 6C040-82750 | ASSY BRACKET REAR | 1 | | | | 0.082 | 0.1804 |
| 170 | 6C040-82760 | BUSH | 1 | | | | 0.005 | 0.011 |
| 180 | 6C040-82770 | ASSY BRACKET FRONT | 1 | | | | 0.4 | 0.88 |
| 190 | 15852-63240 | BUSH | 1 | | | | 0.006 | 0.0132 |
| 200 | 6C040-82780 | BOLT | 2 | | | | 0.015 | 0.033 |
| 210 | 6C040-82790 | LEVER FORK | 1 | | | | 0.022 | 0.0484 |
| 220 | 6C040-82800 | ASSY SWITCH MAGNETIC | 1 | | | | 0.63 | 1.386 |
| 230 | 15852-93310 | SCREW PAN-HEAD | 1 | | | | 0.02 | 0.044 |

BATTERY

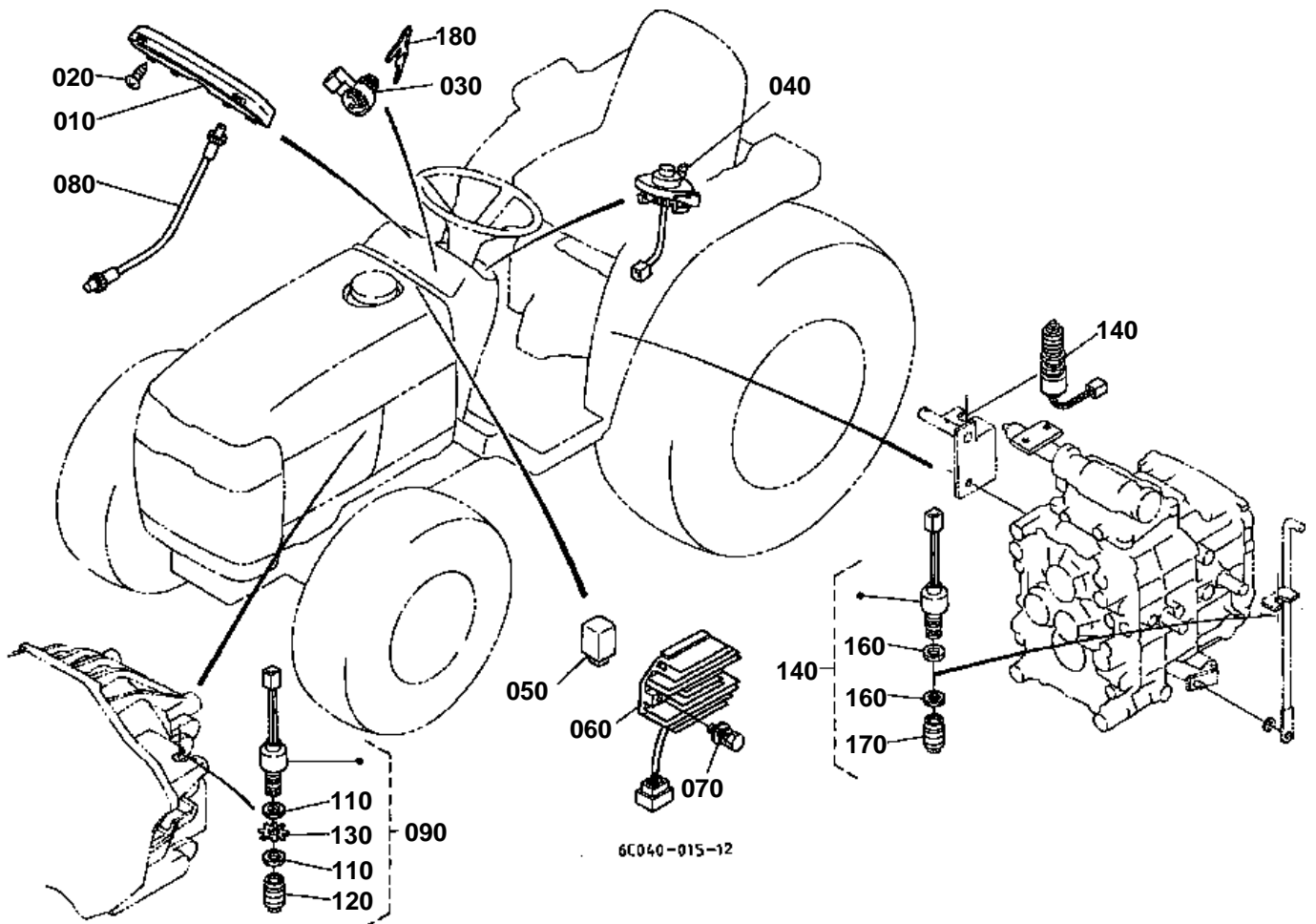


**BATTERY**

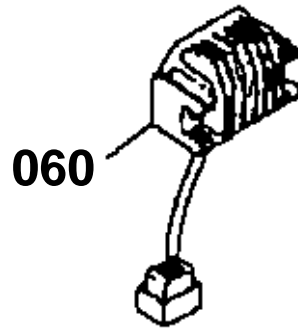
↔ Interchangeable; ≠ not interchangeable; ← new for old; → old for new

| REF.No | Part No. | Description | Q'ty | S.No. | I/C | REMARKS | Weight (kgf) | Weight (lb) |
|--------|-------------|------------------|------|-------|-----|---------|--------------|-------------|
| 010 | 6C040-51228 | BRACKET BATTERY | 1 | | | | 2.25 | 4.95 |
| 020 | 01133-51025 | BOLT | 2 | | | | 0.023 | 0.0506 |
| 030 | 6C040-51260 | NET | 1 | | | | 0.25 | 0.55 |
| 040 | 76650-42520 | TRIM DUSTPROOF | 3 | | | | 0.03 | 0.066 |
| 050 | 6C040-51290 | RUBBER | 2 | | | | 0.003 | 0.0066 |
| 060 | 6C040-55512 | ASSY BATTERY | 1 | | | [A] | 0 | 0 |
| 060 | 6C021-55510 | ASSY BATTERY | 1 | | | [CA] | 0 | 0 |
| 065 | 6C040-99182 | KIT BATTERY (B) | 1 | | | [A] | 0 | 0 |
| 065 | 6C021-99190 | KIT BATTERY (B) | 1 | | | [CA] | 0 | 0 |
| 070 | 6C040-55590 | LABEL BATTERY | 1 | | | ENGLISH | 0.001 | 0.0022 |
| 075 | 6C021-92120 | LABEL BATTERY | 1 | | | FRENCH | 0.001 | 0.0022 |
| 080 | 6C040-55530 | CORD BATTERY(+) | 1 | | | | 0.21 | 0.462 |
| 090 | 6C040-55540 | CORD BATTERY(-) | 1 | | | | 0.11 | 0.242 |
| 100 | 6C040-55553 | RETAINER BATTERY | 1 | | | | 0.075 | 0.165 |
| 110 | 6C040-55560 | BOLT HOOK | 1 | | | | 0.038 | 0.0836 |
| 120 | 04015-60060 | WASHER PLAIN | 1 | | | | 0.005 | 0.011 |
| 130 | 02810-50060 | NUT WING | 1 | | | | 0.009 | 0.0198 |
| 140 | 6C040-55580 | CUSHION | 1 | | | | 0.002 | 0.0044 |
| 150 | 34150-33220 | CUSHION | 2 | | | | 0.015 | 0.033 |

PANEL BOARD

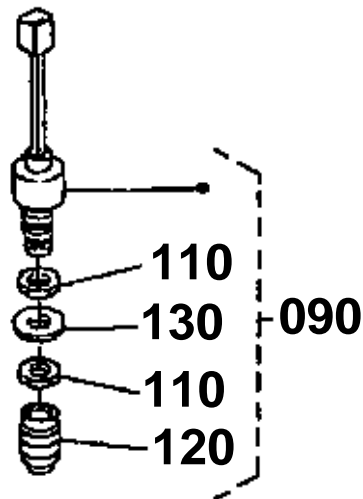


060 19267-6460-2



090 6C040-5585-0

130 6C040-5586-0



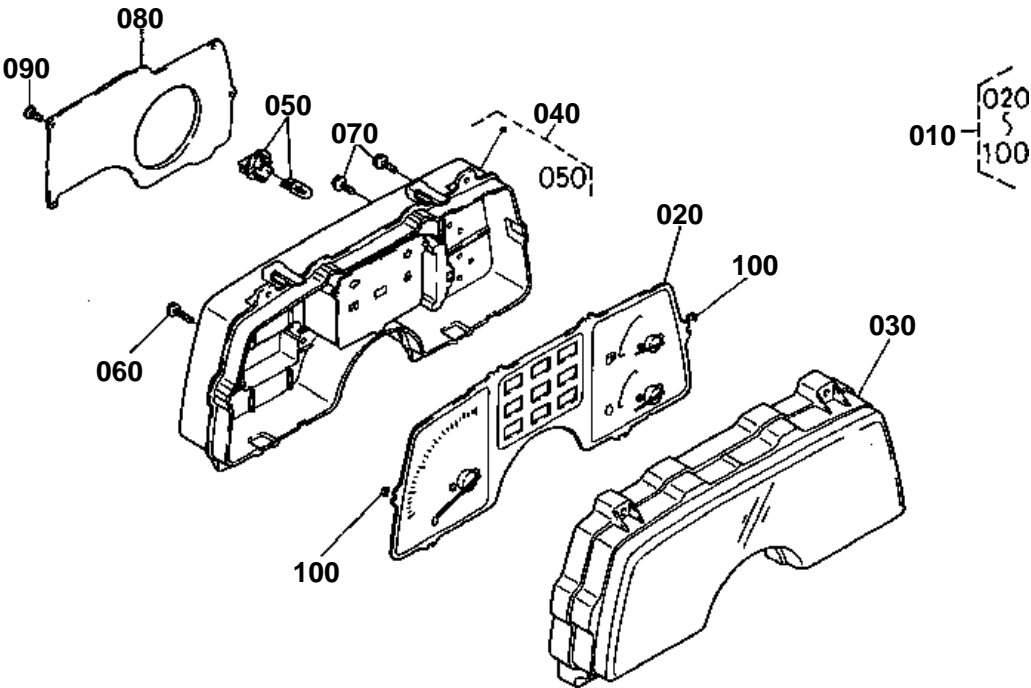
6C040-816-11



PANEL BOARD

↔ Interchangeable; ≠ not interchangeable; ← new for old; → old for new

| REF.No | Part No. | Description | Q'ty | S.No. | I/C | REMARKS | Weight (kgf) | Weight (lb) |
|--------|-------------|--------------------|------|-------|-----|---------|--------------|-------------|
| 010 | 6C040-55100 | ASSY METER | 1 | | | | 1.2 | 2.64 |
| 020 | 03514-50420 | SCREW TAPPING | 6 | | | | 0.002 | 0.0044 |
| 030 | 6C040-55452 | SWITCH STARTER | 1 | | | | 0.22 | 0.484 |
| 040 | 6C040-55424 | SWITCH COMBINATION | 1 | | | | 0.09 | 0.198 |
| 050 | 6C040-55520 | UNIT HAZARD | 1 | | | | 0.036 | 0.0792 |
| 060 | RP201-53710 | ASSY REGULATOR | 1 | | | [A] | 0.182 | 0.4004 |
| 070 | 01205-50625 | BOLT | 1 | | | [A] | 0.007 | 0.0154 |
| 080 | 6C040-55440 | CABLE HOUR METER | 1 | | | | 0.2 | 0.44 |
| 090 | 6C040-55850 | ASSY SWITCH SAFETY | 1 | | | | 0 | 0 |
| 100 | 99999-99999 | BLANK | 0 | | | | 0 | 0 |
| 110 | 67111-55830 | NUT SAFETY SWITCH | 2 | | | | 0.035 | 0.077 |
| 120 | 67111-55840 | CAP SAFETY SWITCH | 1 | | | | 0.002 | 0.0044 |
| 130 | 6C040-55860 | WASHER | 1 | | | | 0 | 0 |
| 130 | 6C040-55862 | WASHER TOOTHED | 1 | | | ← | 0.004 | 0.0088 |
| 140 | 52320-42900 | SWITCH SAFETY | 2 | | | | 0.1 | 0.22 |
| 150 | 99999-99999 | BLANK | 0 | | | | 0 | 0 |
| 160 | 67111-55830 | NUT SAFETY SWITCH | 4 | | | | 0.035 | 0.077 |
| 170 | 67111-55840 | CAP SAFETY SWITCH | 2 | | | | 0.002 | 0.0044 |
| 180 | 6C040-55432 | KEY STARTER | 2 | | | | 0.012 | 0.0264 |



6C040-016-10

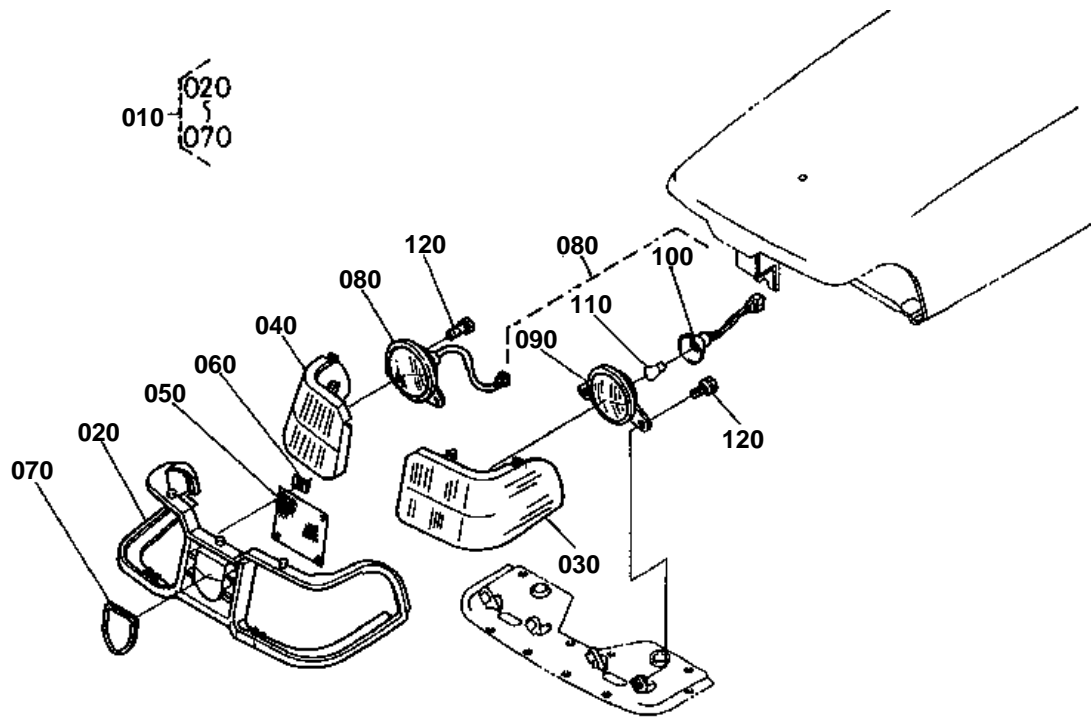


PANEL BOARD [COMPONENT PARTS]

↔ Interchangeable; ≠ not interchangeable; ← new for old; → old for new

| REF.No | Part No. | Description | Q'ty | S.No. | I/C | REMARKS | Weight (kgf) | Weight (lb) |
|--------|-------------|-------------|------|-------|-----|---------|--------------|-------------|
| 010 | 6C040-55100 | ASSY METER | 1 | | | | 1.2 | 2.64 |
| 020 | 6C040-55110 | COMP.METER | 1 | | | | 0.47 | 1.034 |
| 030 | 6C040-55120 | GLASS | 1 | | | | 0.16 | 0.352 |
| 040 | 6C040-55130 | ASSY CASE | 1 | | | | 0.25 | 0.55 |
| 050 | 6C040-55140 | ASSY BULB | 5 | | | | 0.003 | 0.0066 |
| 060 | 6C040-55150 | SCREW | 2 | | | | 0.002 | 0.0044 |
| 070 | 6C040-55160 | SCREW | 6 | | | | 0.002 | 0.0044 |
| 080 | 6C040-55172 | COVER | 1 | | | | 0.062 | 0.1364 |
| 090 | 6C040-55180 | SCREW | 2 | | | | 0.003 | 0.0066 |
| 100 | 6C040-55190 | CUSHION | 6 | | | | 0.001 | 0.0022 |

HEAD LIGHT



6C040-013-10

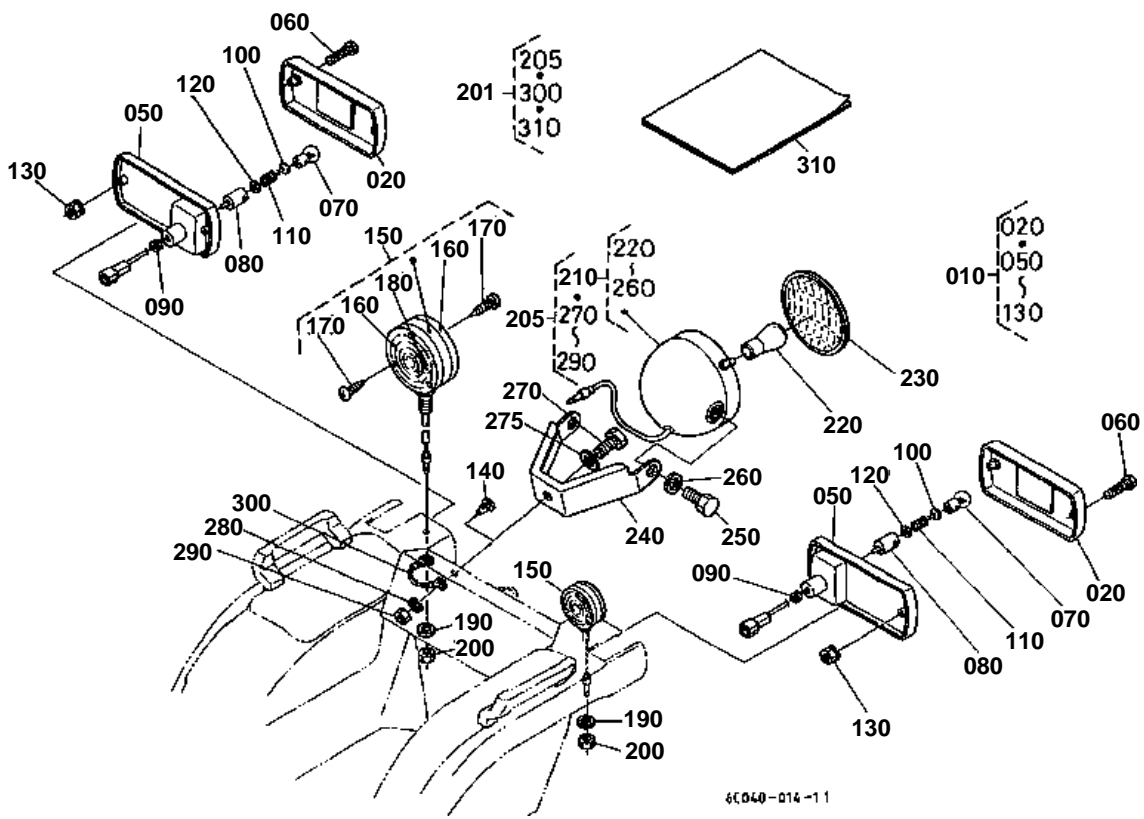


HEAD LIGHT

↔ Interchangeable; ≠ not interchangeable; ← new for old; → old for new

| REF.No | Part No. | Description | Q'ty | S.No. | I/C | REMARKS | Weight (kgf) | Weight (lb) |
|--------|-------------|----------------------|------|-------|-----|---------|--------------|-------------|
| 010 | 6C040-54134 | ASSY GRILLE LIGHT | 1 | | | | 0.46 | 1.012 |
| 020 | 6C040-54173 | GRILLE HEAD LIGHT | 1 | | | | 0.15 | 0.33 |
| 030 | 6C040-54183 | COVER HEAD LIGHT LH | 1 | | | | 0.131 | 0.2882 |
| 040 | 6C040-54193 | COVER HEAD LIGHT RH | 1 | | | | 0.03 | 0.066 |
| 050 | 6C040-54240 | NET | 1 | | | | 0.017 | 0.0374 |
| 060 | 55611-44190 | NUT | 2 | | | | 0.004 | 0.0088 |
| 070 | 6C040-54290 | MARK MASCOT | 1 | | | | 0.008 | 0.0176 |
| 080 | 6C040-55610 | ASSY LIGHT HEAD | 2 | | | | 0.15 | 0.33 |
| 090 | 6C040-55620 | COMP.LENS HEAD LIGHT | 2 | | | | 0.112 | 0.2464 |
| 100 | 6C040-55630 | COMP.SOCKET | 2 | | | | 0.019 | 0.0418 |
| 110 | 66591-55630 | BULB | 2 | | | | 0.008 | 0.0176 |
| 120 | 01029-50616 | BOLT | 4 | | | | 0.01 | 0.022 |

TAIL LIGHT/HAZARD LIGHT/WORKING LIGHT

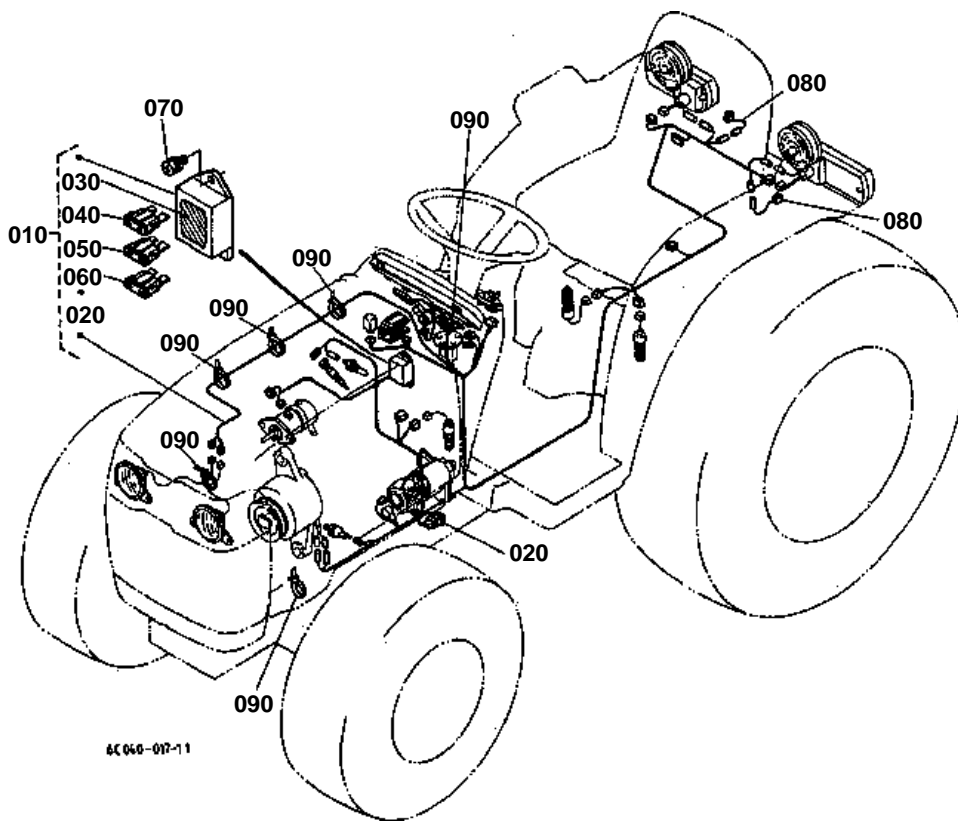




TAIL LIGHT/HAZARD LIGHT/WORKING LIGHT

↔ Interchangeable; ≠ not interchangeable; ← new for old; → old for new

| REF.No | Part No. | Description | Q'ty | S.No. | I/C | REMARKS | Weight (kgf) | Weight (lb) |
|--------|-------------|---------------------|------|-------|-----|---------|--------------|-------------|
| 010 | 6C040-55490 | ASSY LIGHT TAIL | 2 | | | | 0.21 | 0.462 |
| 020 | 6C040-92200 | ASSY LENS | 2 | | | | 0.1 | 0.22 |
| 030 | 99999-99999 | BLANK | 0 | | | | 0 | 0 |
| 040 | 99999-99999 | BLANK | 0 | | | | 0 | 0 |
| 050 | 6C040-92120 | BODY | 2 | | | | 0.065 | 0.143 |
| 060 | 6C040-92140 | SCREW | 4 | | | | 0.007 | 0.0154 |
| 070 | 6C040-92150 | BULB | 2 | | | | 0.006 | 0.0132 |
| 080 | 6C040-92160 | SOCKET | 2 | | | | 0.007 | 0.0154 |
| 090 | 6C040-92170 | BUSH RUBBER | 2 | | | | 0.001 | 0.0022 |
| 100 | 6C040-92180 | INSULATOR | 2 | | | | 0.001 | 0.0022 |
| 110 | 6C040-92190 | SPRING | 2 | | | | 0.001 | 0.0022 |
| 120 | 6C040-92210 | WASHER | 2 | | | | 0.001 | 0.0022 |
| 130 | 6C040-92230 | NUT | 4 | | | | 0.002 | 0.0044 |
| 140 | 38240-29570 | PLUG | 1 | | | | 0.001 | 0.0022 |
| 150 | 32530-33610 | ASSY LIGHT HAZARD | 2 | | | | 0.38 | 0.836 |
| 160 | 32530-91510 | LENS HAZARD LIGHT | 4 | | | | 0.085 | 0.187 |
| 170 | 32530-91520 | SCREW TAPPING | 12 | | | | 0.001 | 0.0022 |
| 180 | 32530-91530 | BULB LIGHT | 2 | | | 27W | 0.02 | 0.044 |
| 190 | 04411-50100 | WASHER TOOTHED | 2 | | | | 0.001 | 0.0022 |
| 200 | 02114-50100 | NUT | 2 | | | | 0.005 | 0.011 |
| 201 | 6C040-95500 | KIT LIGHT WORKING | 1 | | | OPTION | 0 | 0 |
| 201 | 6C040-95502 | KIT LIGHT WORKING | 1 | | ← | OPTION | 0 | 0 |
| 205 | 35871-97600 | ASSY LIGHT WORKING | 1 | | | OPTION | 0.88 | 1.936 |
| 210 | 35871-75900 | ASSY LIGHT WORKING | 1 | | | OPTION | 0.85 | 1.87 |
| 220 | 68331-53360 | BLUB | 1 | | | OPTION | 0.015 | 0.033 |
| 230 | 68331-53310 | LENS | 1 | | | OPTION | 0.15 | 0.33 |
| 240 | 35861-75910 | STAY WORKING LAMP 4 | 1 | | | OPTION | 0.25 | 0.55 |
| 250 | 01153-50820 | BOLT | 2 | | | OPTION | 0.012 | 0.0264 |
| 260 | 04512-60080 | WASHER SPRING | 2 | | | OPTION | 0.002 | 0.0044 |
| 270 | 01173-51020 | BOLT | 1 | | | OPTION | 0.017 | 0.0374 |
| 275 | 04013-60100 | WASHER PLAIN | 1 | | | OPTION | 0.003 | 0.0066 |
| 280 | 04512-60100 | WASHER SPRING | 1 | | | OPTION | 0.002 | 0.0044 |
| 290 | 02118-50100 | NUT | 1 | | | OPTION | 0.005 | 0.011 |
| 300 | 6C040-95520 | WIRE HARNESS | 1 | | | OPTION | 0.008 | 0.0176 |
| 310 | 6C040-95510 | MANUAL ASSEMBLY | 1 | | | OPTION | 0 | 0 |

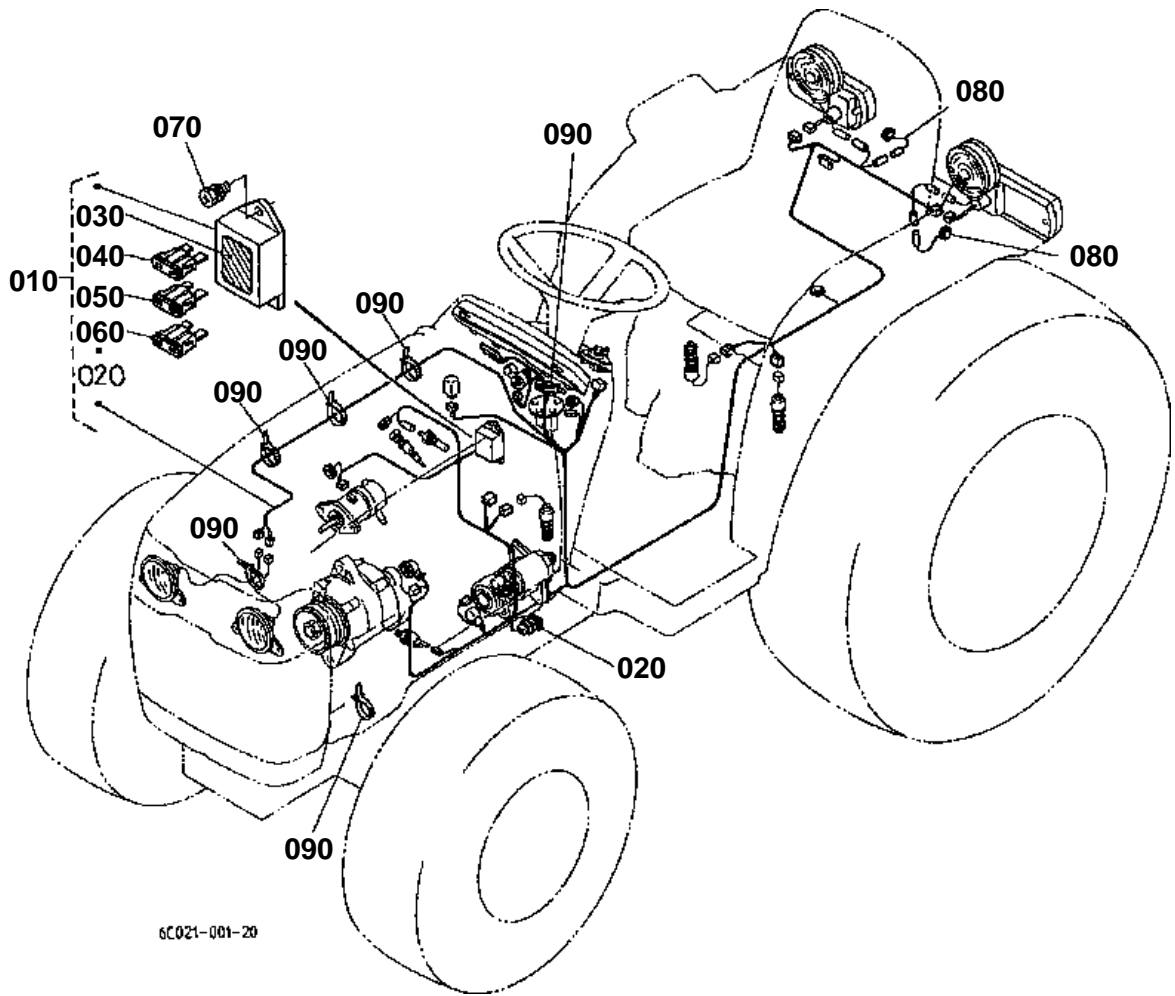




ELECTRICAL WIRING
B1700E:ALL,B2100E:[A],B2400E:ALL

↔ Interchangeable; ≠ not interchangeable; ← new for old; → old for new

| REF.No | Part No. | Description | Q'ty | S.No. | I/C | REMARKS | Weight (kgf) | Weight (lb) |
|--------|-------------|-------------------|------|-------|-----|---------|--------------|-------------|
| 010 | 6C040-55465 | ASSY WIRE HARNESS | 1 | | | | 0.99 | 2.178 |
| 020 | 1G111-65720 | FUSE | 1 | | | 30A | 0.009 | 0.0198 |
| 030 | 6C040-47490 | LABEL FUSE BOX | 1 | | | ENGLISH | 0.001 | 0.0022 |
| 040 | 66426-80010 | FUSE AUTO | 2 | | | 5A | 0.01 | 0.022 |
| 050 | 36730-75550 | FUSE AUTO | 1 | | | 10A | 0.001 | 0.0022 |
| 060 | 35820-75560 | FUSE AUTO | 1 | | | 15A | 0.002 | 0.0044 |
| 070 | 01202-50620 | BOLT | 2 | | | | 0.007 | 0.0154 |
| 080 | 6C040-55480 | WIRE HARNESS | 2 | | | | 0.005 | 0.011 |
| 090 | 53581-64150 | BAND CORD | 8 | | | | 0.002 | 0.0044 |

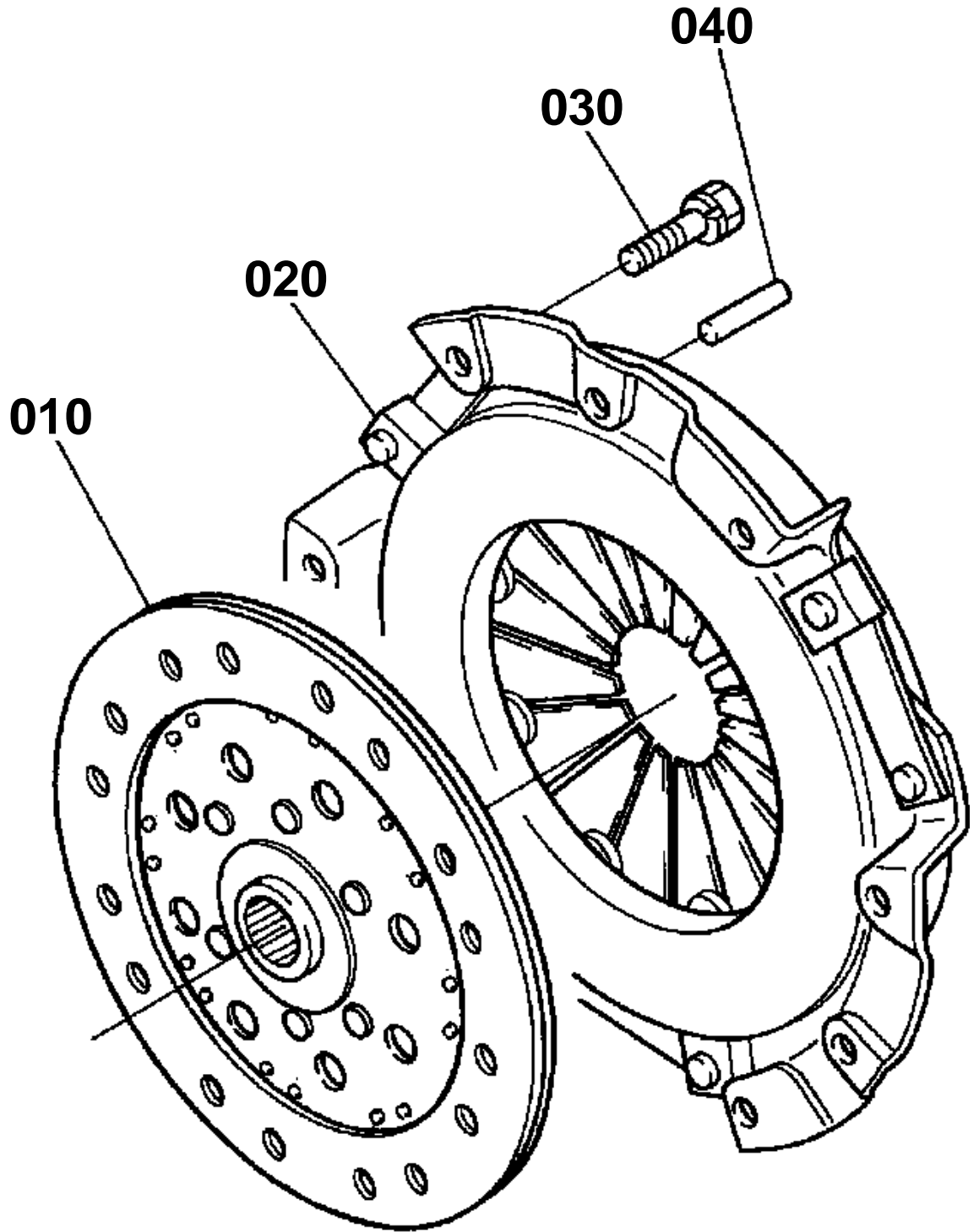




ELECTRICAL WIRING [CA]

↔ Interchangeable; ≠ not interchangeable; ← new for old; → old for new

| REF.No | Part No. | Description | Q'ty | S.No. | I/C | REMARKS | Weight (kgf) | Weight (lb) |
|--------|-------------|-------------------|------|-------|-----|---------|--------------|-------------|
| 010 | 6C021-55463 | ASSY WIRE HARNESS | 1 | | | | 0.96 | 2.112 |
| 020 | 17478-60080 | FUSE | 1 | | | 50A | 0.008 | 0.0176 |
| 030 | 6C040-47490 | LABEL FUSE BOX | 1 | | | ENGLISH | 0.001 | 0.0022 |
| 040 | 66426-80010 | FUSE AUTO | 2 | | | 5A | 0.01 | 0.022 |
| 050 | 36730-75550 | FUSE AUTO | 1 | | | 10A | 0.001 | 0.0022 |
| 060 | 35820-75560 | FUSE AUTO | 1 | | | 15A | 0.002 | 0.0044 |
| 070 | 01202-50620 | BOLT | 2 | | | | 0.007 | 0.0154 |
| 080 | 6C040-55480 | WIRE HARNESS | 2 | | | | 0.005 | 0.011 |
| 090 | 53581-64150 | BAND CORD | 8 | | | | 0.002 | 0.0044 |



16216-001-10

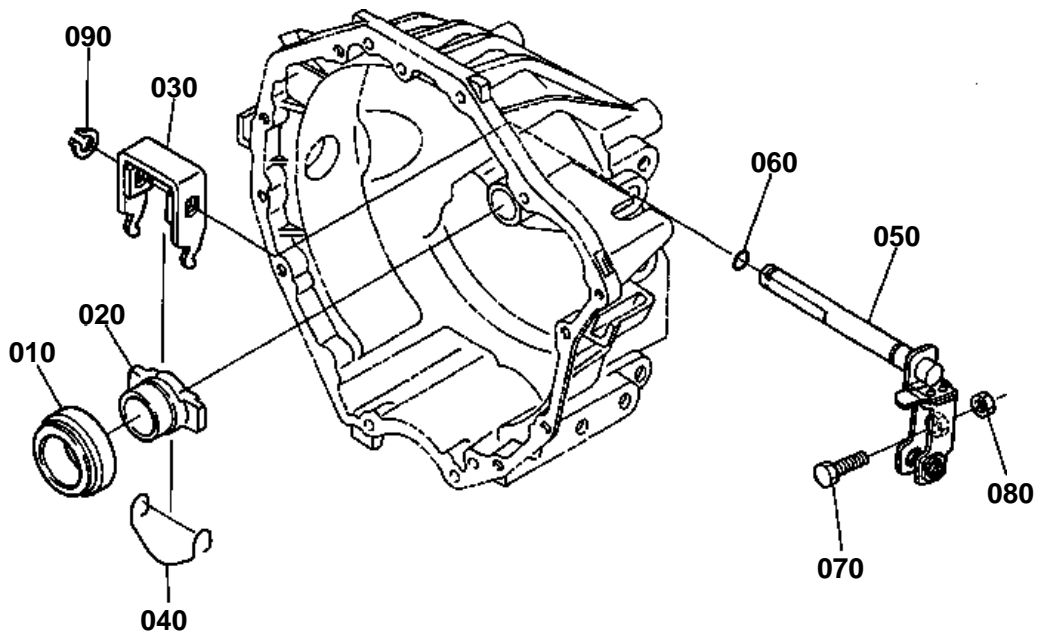


CLUTCH

↔ Interchangeable; ≠ not interchangeable; ← new for old; → old for new

| REF.No | Part No. | Description | Q'ty | S.No. | I/C | REMARKS | Weight (kgf) | Weight (lb) |
|--------|-------------|---------------------|------|-------|-----|---------|--------------|-------------|
| 010 | 6C040-13402 | COMP.DISK CLUTCH | 1 | | | | 0.88 | 1.936 |
| 020 | 6C040-13300 | COMP.PLATE PRESSURE | 1 | | | | 4.01 | 8.822 |
| 030 | 01123-60816 | BOLT | 6 | | | | 0.01 | 0.022 |
| 040 | 16221-94530 | PIN STRAIGHT | 3 | | | | 0.006 | 0.0132 |

CLUTCH ROD



6C040-018-11

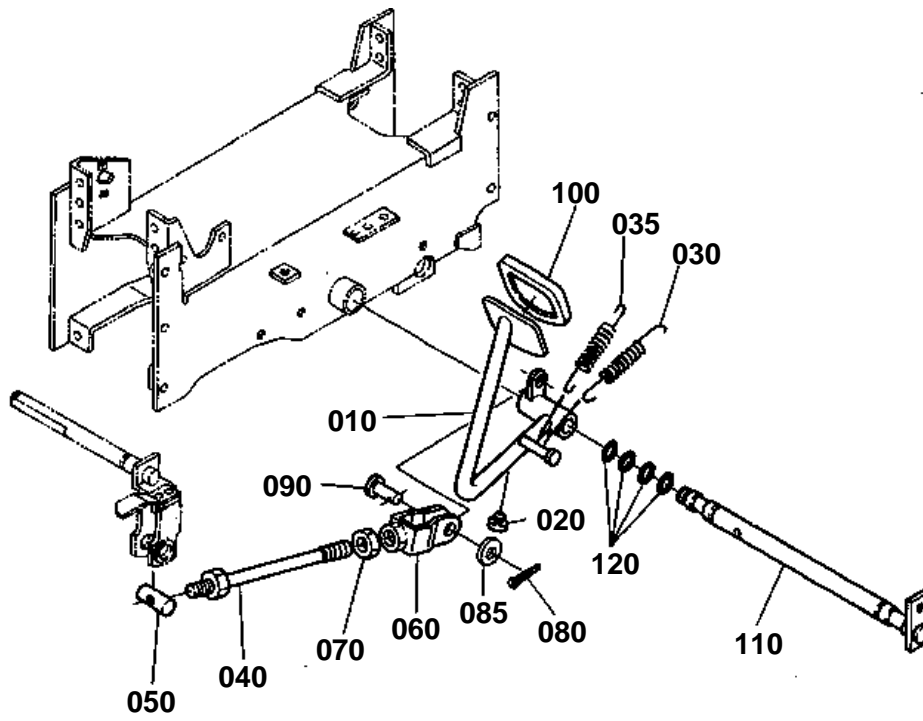


CLUTCH ROD

↔ Interchangeable; ≠ not interchangeable; ← new for old; → old for new

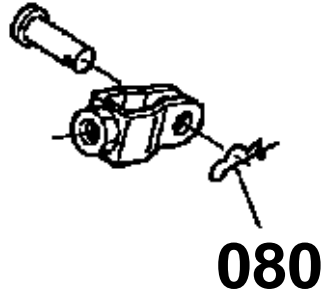
| REF.No | Part No. | Description | Q'ty | S.No. | I/C | REMARKS | Weight (kgf) | Weight (lb) |
|--------|-------------|---------------------|------|-------|-----|---------|--------------|-------------|
| 010 | 6C040-13210 | BEARING RELEASE | 1 | | | | 0.157 | 0.3454 |
| 020 | 6C040-13220 | HOLDER BEARING | 1 | | | | 0.142 | 0.3124 |
| 030 | 6C040-13230 | FORK CLUTCH RELEASE | 1 | | | | 0.22 | 0.484 |
| 040 | 6C040-13240 | SPRING | 1 | | | | 0.003 | 0.0066 |
| 050 | 6C040-13257 | SHAFT CLUTCH ROD | 1 | | | | 0.037 | 0.0814 |
| 060 | 04811-10140 | O RING | 1 | | | | 0.001 | 0.0022 |
| 070 | 66711-13320 | BOLT ADJUSTING | 1 | | | | 0.028 | 0.0616 |
| 080 | 02118-50100 | NUT | 1 | | | | 0.005 | 0.011 |
| 090 | 04612-00160 | CIR CLIP EXTERNAL | 1 | | | | 0.001 | 0.0022 |

CLUTCH PEDAL



6C040-019-13

080 52300-3413-0



6A100-804-10

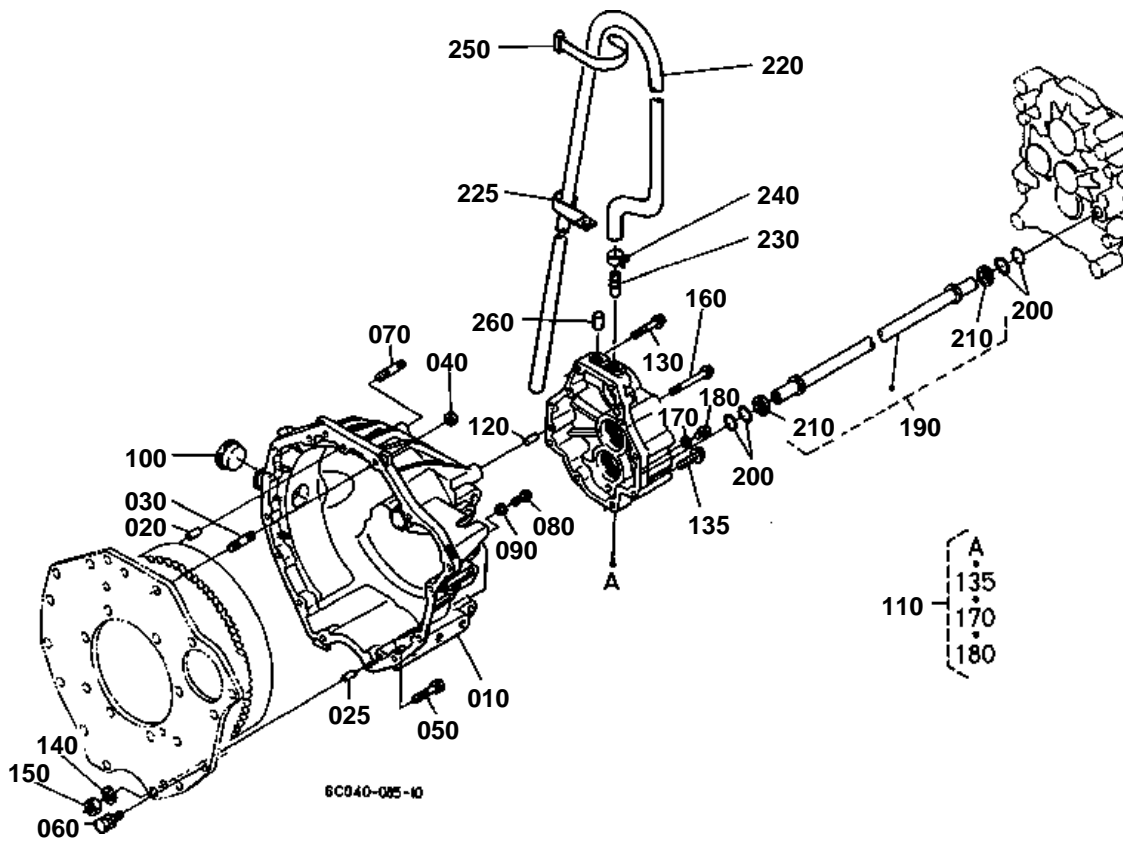


CLUTCH PEDAL

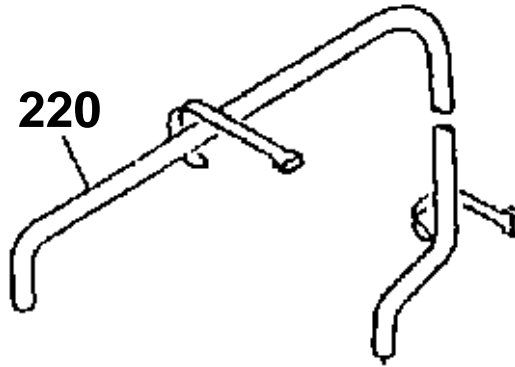
↔ Interchangeable; ≠ not interchangeable; ← new for old; → old for new

| REF.No | Part No. | Description | Q'ty | S.No. | I/C | REMARKS | Weight (kgf) | Weight (lb) |
|--------|-------------|----------------|------|-------|-----|---------|--------------|-------------|
| 010 | 6C040-42135 | PEDAL CLUTCH | 1 | | | | 1.68 | 3.696 |
| 020 | 6C040-42342 | CUSHION | 1 | | | | 0.005 | 0.011 |
| 030 | 6C040-42150 | SPRING | 1 | | | | 0.157 | 0.3454 |
| 035 | 6C040-42160 | SPRING | 1 | | | | 0.05 | 0.11 |
| 040 | 6C040-42113 | ROD CLUTCH | 1 | | | | 0.255 | 0.561 |
| 050 | 6C040-42142 | PIN CLUTCH ROD | 1 | | | | 0.034 | 0.0748 |
| 060 | 6C040-42120 | U JOINT | 1 | | | | 0.118 | 0.2596 |
| 070 | 37720-28990 | NUT | 1 | | | | 0.008 | 0.0176 |
| 080 | 05511-50318 | PIN SPLIT | 1 | | | | 0.001 | 0.0022 |
| 085 | 04013-60100 | WASHER PLAIN | 1 | | | | 0.003 | 0.0066 |
| 090 | 05122-51025 | PIN JOINT | 1 | | | | 0.017 | 0.0374 |
| 100 | 37410-44120 | COVER PEDAL | 1 | | | | 0 | 0 |
| 110 | 6C040-42310 | SHAFT PEDAL | 1 | | | | 1.68 | 3.696 |
| 120 | 04816-00210 | O RING | 4 | | | | 0.004 | 0.0088 |

CLUTCH HOUSING



220 6C040-1318-5



6C040-824-10

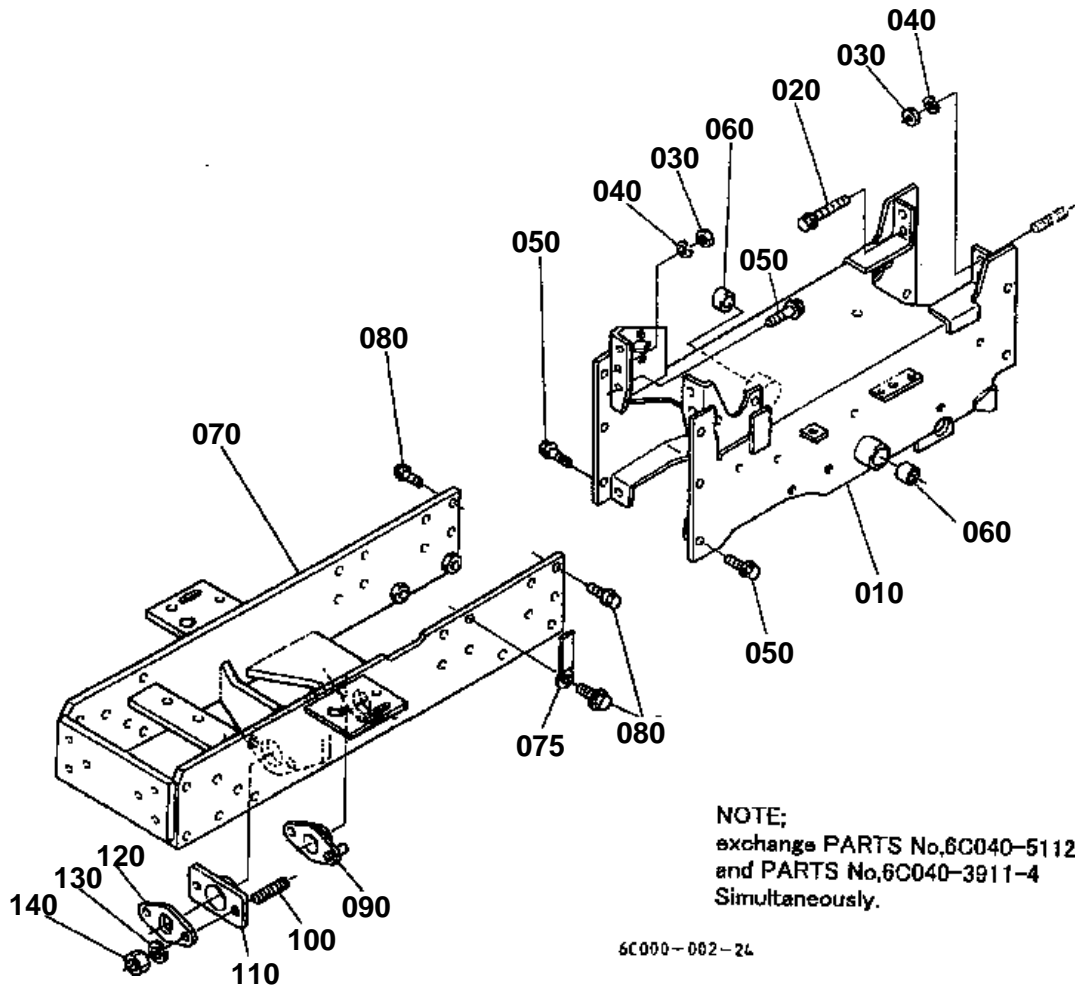


CLUTCH HOUSING

↔ Interchangeable; ≠ not interchangeable; ← new for old; → old for new

| REF.No | Part No. | Description | Q'ty | S.No. | I/C | REMARKS | Weight (kgf) | Weight (lb) |
|--------|-------------|----------------------|------|-------|-----|---------|--------------|-------------|
| 010 | 6C040-13114 | HOUSING CLUTCH | 1 | | | | 5.2 | 11.44 |
| 020 | 05012-00814 | PIN STRAIGHT | 1 | | | | 0.006 | 0.0132 |
| 025 | 66611-11160 | PIN KNOCK | 1 | | | | 0.01 | 0.022 |
| 030 | 01517-51045 | STUD | 2 | | | | 0.032 | 0.0704 |
| 040 | 02118-50100 | NUT | 2 | | | | 0.005 | 0.011 |
| 050 | 01754-50840 | BOLT FLANGE | 2 | | | | 0.02 | 0.044 |
| 060 | 01123-50830 | BOLT | 9 | | | | 0.015 | 0.033 |
| 070 | 01555-51225 | STUD | 4 | | | | 0.039 | 0.0858 |
| 080 | 01754-50812 | BOLT FLANGE | 1 | | | | 0.01 | 0.022 |
| 090 | 04717-00800 | WASHER WITH RUBBER | 1 | | | | 0.001 | 0.0022 |
| 100 | 37410-13124 | PLUG | 1 | | | | 0.02 | 0.044 |
| 110 | 6C040-97812 | COVER CLUTCH HOUSING | 1 | | | | 0.94 | 2.068 |
| 120 | 05012-00614 | PIN STRAIGHT | 2 | | | | 0.004 | 0.0088 |
| 130 | 01123-50840 | BOLT | 3 | | | | 0.018 | 0.0396 |
| 135 | 01123-50840 | BOLT | 1 | | | | 0.018 | 0.0396 |
| 140 | 04512-60080 | WASHER SPRING | 2 | | | | 0.002 | 0.0044 |
| 150 | 02114-50080 | NUT | 2 | | | | 0.005 | 0.011 |
| 160 | 01123-50860 | BOLT | 6 | | | | 0.002 | 0.0044 |
| 170 | 04717-01000 | WASHER WITH RUBBER | 1 | | | | 0.001 | 0.0022 |
| 180 | 06331-35010 | PLUG | 1 | | | | 0.012 | 0.0264 |
| 190 | 6C040-13153 | PIPE | 1 | | | | 0.25 | 0.55 |
| 200 | 04816-06170 | O RING | 4 | | | | 0.005 | 0.011 |
| 210 | 6C040-13160 | RING | 2 | | | | 0.001 | 0.0022 |
| 220 | 6C040-13186 | HOSE BREATHER | 1 | | | | 0.21 | 0.462 |
| 225 | 34150-29390 | CLAMP CORD | 1 | | | | 0.004 | 0.0088 |
| 230 | 6C040-13140 | JOINT | 1 | | | | 0.016 | 0.0352 |
| 240 | 32721-39160 | CLAMP HOSE | 1 | | | | 0.005 | 0.011 |
| 250 | 55311-41260 | BAND CORD | 1 | | | | 0.007 | 0.0154 |
| 260 | 05012-00814 | PIN STRAIGHT | 1 | | | | 0.006 | 0.0132 |

FRAME

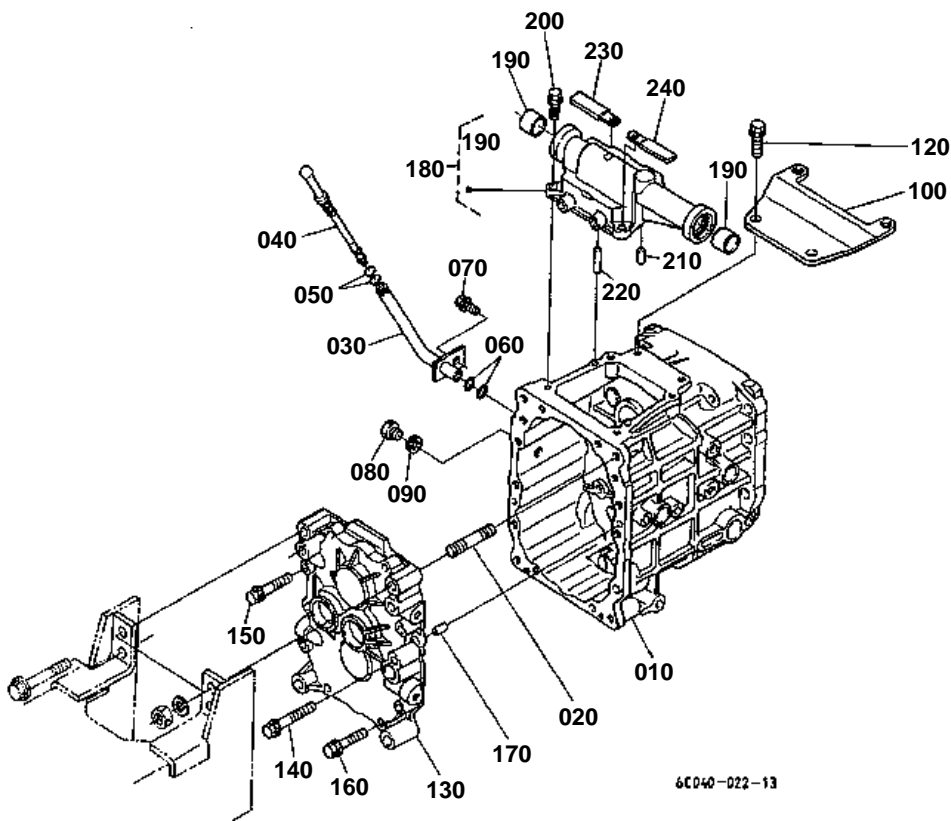


**FRAME**

↔ Interchangeable; ≠ not interchangeable; ← new for old; → old for new

| REF.No | Part No. | Description | Q'ty | S.No. | I/C | REMARKS | Weight (kgf) | Weight (lb) |
|--------|-------------|-------------------|------|-------|-----|---------|--------------|-------------|
| 010 | 6C040-51124 | COMP.FRAME CENTER | 1 | | | | 15.7 | 34.54 |
| 020 | 01123-51265 | BOLT | 2 | | | | 0.063 | 0.1386 |
| 030 | 02174-50120 | NUT | 8 | | | | 0.01 | 0.022 |
| 040 | 04512-60120 | WASHER SPRING | 8 | | | | 0.005 | 0.011 |
| 050 | 01123-51230 | BOLT | 12 | | | | 0.04 | 0.088 |
| 060 | 08511-02515 | BUSH | 2 | | | | 0.012 | 0.0264 |
| 070 | 6C040-78210 | COMP.FRAME FRONT | 1 | | | | 0 | 0 |
| 070 | 6C040-78214 | COMP.FRAME FRONT | 1 | | ↔ | | 18.8 | 41.36 |
| 075 | 35340-29380 | CLAMP CORD | 1 | | | | 0.01 | 0.022 |
| 080 | 01133-51025 | BOLT | 16 | | | | 0.023 | 0.0506 |
| 090 | 67800-51980 | BUSH | 1 | | | | 0.125 | 0.275 |
| 100 | 01517-61025 | STUD | 2 | | | | 0.02 | 0.044 |
| 110 | 67800-51972 | BUSH | 1 | | | | 0.15 | 0.33 |
| 120 | 32701-51960 | WASHER LOCK | 1 | | | | 0.09 | 0.198 |
| 130 | 04512-60100 | WASHER SPRING | 2 | | | | 0.002 | 0.0044 |
| 140 | 02118-50100 | NUT | 2 | | | | 0.005 | 0.011 |

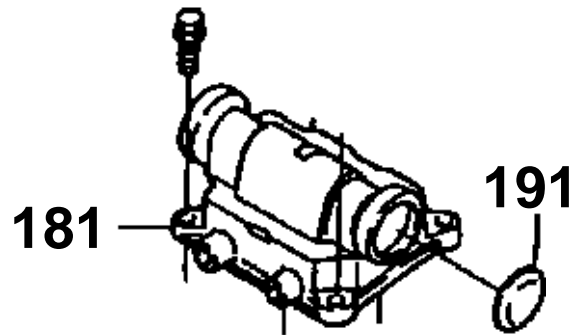
TRANSMISSION CASE



181 6C040-1241-2

181 6C040-1241-3

191 06311-75035



6C040-842-10

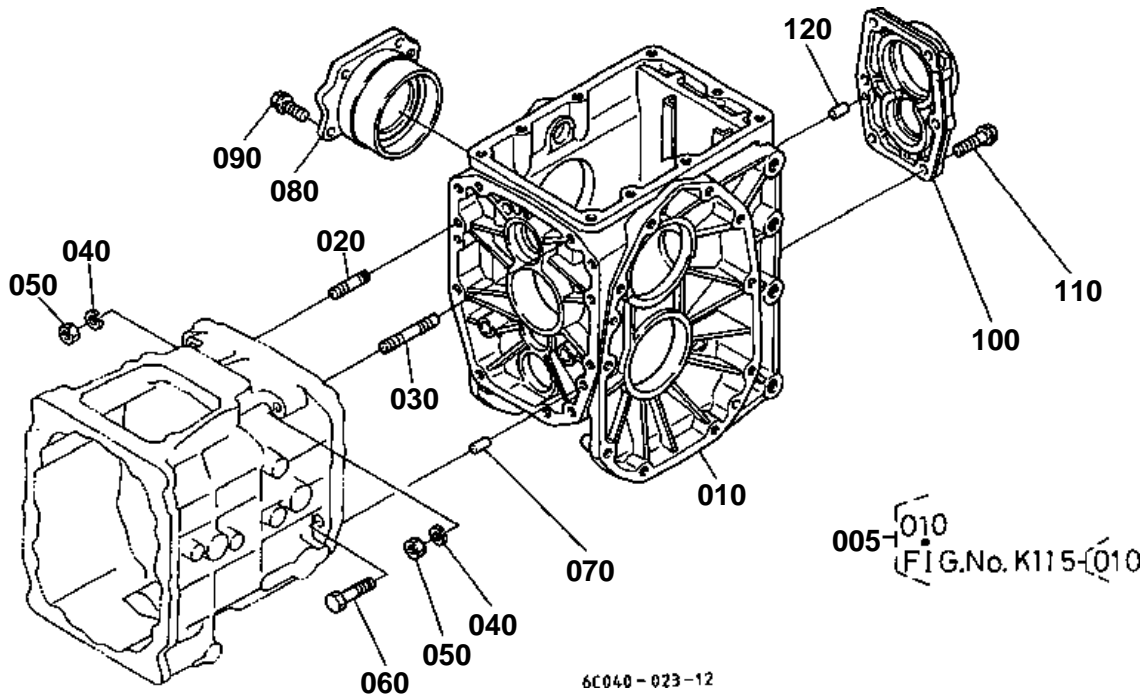


TRANSMISSION CASE

↔ Interchangeable; ≠ not interchangeable; ← new for old; → old for new

| REF.No | Part No. | Description | Q'ty | S.No. | I/C | REMARKS | Weight (kgf) | Weight (lb) |
|--------|-------------|--------------------|------|-------|-----|---------|--------------|-------------|
| 010 | 6C040-11117 | CASE TRANSMISSION | 1 | | | | 4.87 | 10.714 |
| 020 | 01555-51260 | STUD | 4 | | | | 0.067 | 0.1474 |
| 030 | 6A320-11152 | PIPE OIL GAUGE | 1 | | | | 0.078 | 0.1716 |
| 040 | 6C040-11160 | GAUGE OIL | 1 | | | | 0.01 | 0.022 |
| 050 | 04816-00060 | O RING | 2 | | | | 0.001 | 0.0022 |
| 060 | 04816-00120 | O RING | 2 | | | | 0.001 | 0.0022 |
| 070 | 01125-60820 | BOLT | 1 | | | | 0.015 | 0.033 |
| 080 | 06311-55030 | PLUG | 1 | | | | 0.05 | 0.11 |
| 090 | 04717-01700 | WASHER WITH RUBBER | 1 | | | | 0.003 | 0.0066 |
| 100 | 6C040-11180 | BRACKET | 1 | | | | 0.4 | 0.88 |
| 110 | 99999-99999 | BLANK | 0 | | | | 0 | 0 |
| 120 | 01123-51030 | BOLT | 2 | | | | 0.025 | 0.055 |
| 130 | 6C040-12110 | COVER FRONT | 1 | | | | 1 | 2.2 |
| 140 | 01123-51060 | BOLT | 1 | | | | 0.05 | 0.11 |
| 150 | 01123-51050 | BOLT | 4 | | | | 0.035 | 0.077 |
| 160 | 01123-51040 | BOLT | 5 | | | | 0.03 | 0.066 |
| 170 | 05012-00614 | PIN STRAIGHT | 2 | | | | 0.004 | 0.0088 |
| 180 | 6C040-12402 | ASSY COVER UPPER | 1 | | | | 0.61 | 1.342 |
| 190 | 08511-02020 | BUSH | 2 | | | | 0.01 | 0.022 |
| 200 | 01123-50830 | BOLT | 4 | | | | 0.015 | 0.033 |
| 210 | 05012-00614 | PIN STRAIGHT | 1 | | | | 0.004 | 0.0088 |
| 220 | 05012-00632 | PIN STRAIGHT | 1 | | | | 0.009 | 0.0198 |
| 230 | 13824-67580 | CLAMP CORD | 1 | | | | 0.006 | 0.0132 |
| 240 | 13824-67580 | CLAMP CORD | 1 | | | | 0.006 | 0.0132 |

DIFFERENTIAL GEAR CASE



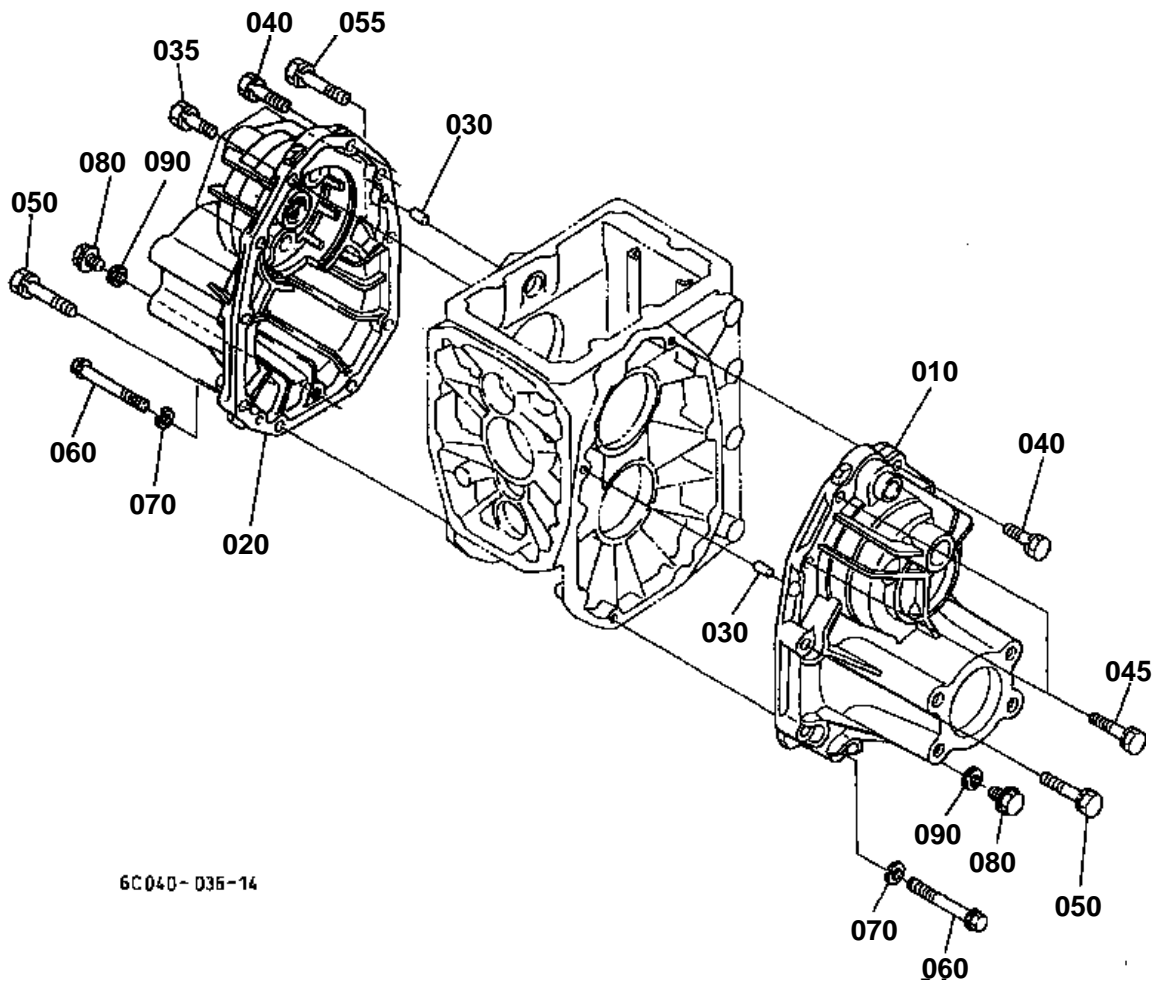


DIFFERENTIAL GEAR CASE

↔ Interchangeable; ≠ not interchangeable; ← new for old; → old for new

| REF.No | Part No. | Description | Q'ty | S.No. | I/C | REMARKS | Weight (kgf) | Weight (lb) |
|--------|-------------|--------------------|------|-------|-----|---------|--------------|-------------|
| 005 | 6C040-96980 | SET CASE DIFF.GEAR | 1 | | | | 11.34 | 24.948 |
| 010 | 6C040-11174 | CASE DIFF.GEAR | 1 | | | | 7.3 | 16.06 |
| 020 | 01555-51035 | STUD | 2 | | | | 0.029 | 0.0638 |
| 030 | 01555-51065 | STUD | 2 | | | | 0.048 | 0.1056 |
| 040 | 04512-60100 | WASHER SPRING | 4 | | | | 0.002 | 0.0044 |
| 050 | 02176-50100 | NUT | 4 | | | | 0.005 | 0.011 |
| 060 | 01123-51040 | BOLT | 7 | | | | 0.03 | 0.066 |
| 070 | 05012-00614 | PIN STRAIGHT | 2 | | | | 0.004 | 0.0088 |
| 080 | 66611-11812 | HOLDER DIFF.BRG.RH | 1 | | | | 0.72 | 1.584 |
| 090 | 01123-50822 | BOLT | 4 | | | | 0.012 | 0.0264 |
| 100 | 6A100-12213 | COVER REAR | 1 | | | | 0.37 | 0.814 |
| 110 | 01123-51030 | BOLT | 6 | | | | 0.025 | 0.055 |
| 120 | 05012-00614 | PIN STRAIGHT | 2 | | | | 0.004 | 0.0088 |

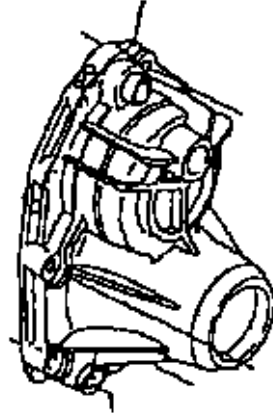
REAR AXLE CASE



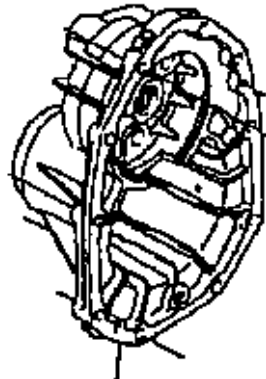
6C040-036-14

010 6C040-1261-3

010

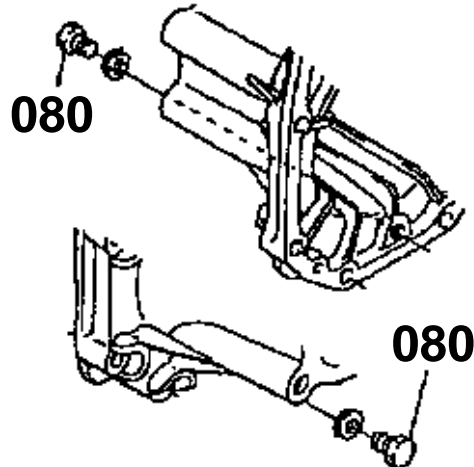


020 6C040-1262-3



020

080 06331-35012



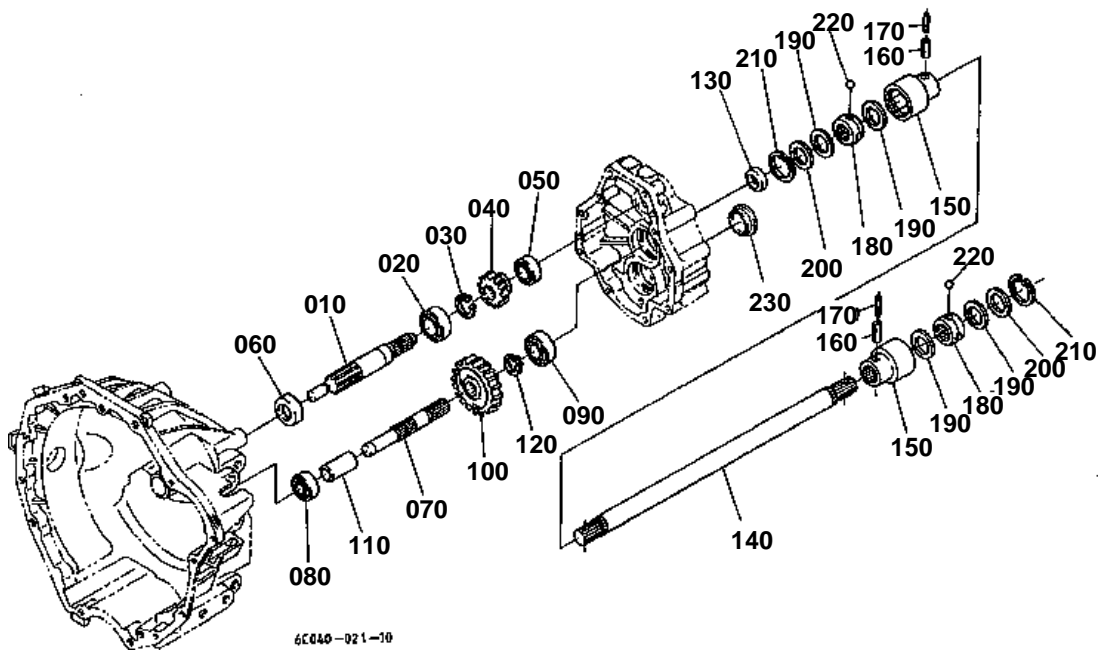
6C040-818-11

**REAR AXLE CASE**

↔ Interchangeable; ≠ not interchangeable; ← new for old; → old for new

| REF.No | Part No. | Description | Q'ty | S.No. | I/C | REMARKS | Weight (kgf) | Weight (lb) |
|--------|-------------|--------------------|------|-------|-----|---------------------------|--------------|-------------|
| 010 | K3511-12620 | CASE AXLE RH | 1 | | | DESCRIPTION RH BUT FOR LH | 2.32 | 5.104 |
| 020 | K3511-12610 | CASE AXLE LH | 1 | | | DESCRIPTION LH BUT FOR RH | 2.42 | 5.324 |
| 030 | 05012-00614 | PIN STRAIGHT | 4 | | | | 0.004 | 0.0088 |
| 035 | 01123-51035 | BOLT | 3 | | | | 0.025 | 0.055 |
| 040 | 01123-51035 | BOLT | 3 | | | | 0.025 | 0.055 |
| 045 | 01123-51035 | BOLT | 2 | | | | 0.025 | 0.055 |
| 050 | 01123-51050 | BOLT | 9 | | | | 0.035 | 0.077 |
| 055 | 01123-51050 | BOLT | 1 | | | | 0.035 | 0.077 |
| 060 | 01173-51080 | BOLT | 2 | | | | 0.049 | 0.1078 |
| 070 | 04512-60100 | WASHER SPRING | 2 | | | | 0.002 | 0.0044 |
| 080 | 06331-35012 | PLUG | 2 | | | | 0.022 | 0.0484 |
| 090 | 04717-01200 | WASHER WITH RUBBER | 2 | | | | 0.002 | 0.0044 |

CLUTCH SHAFT/PROPELLER SHAFT

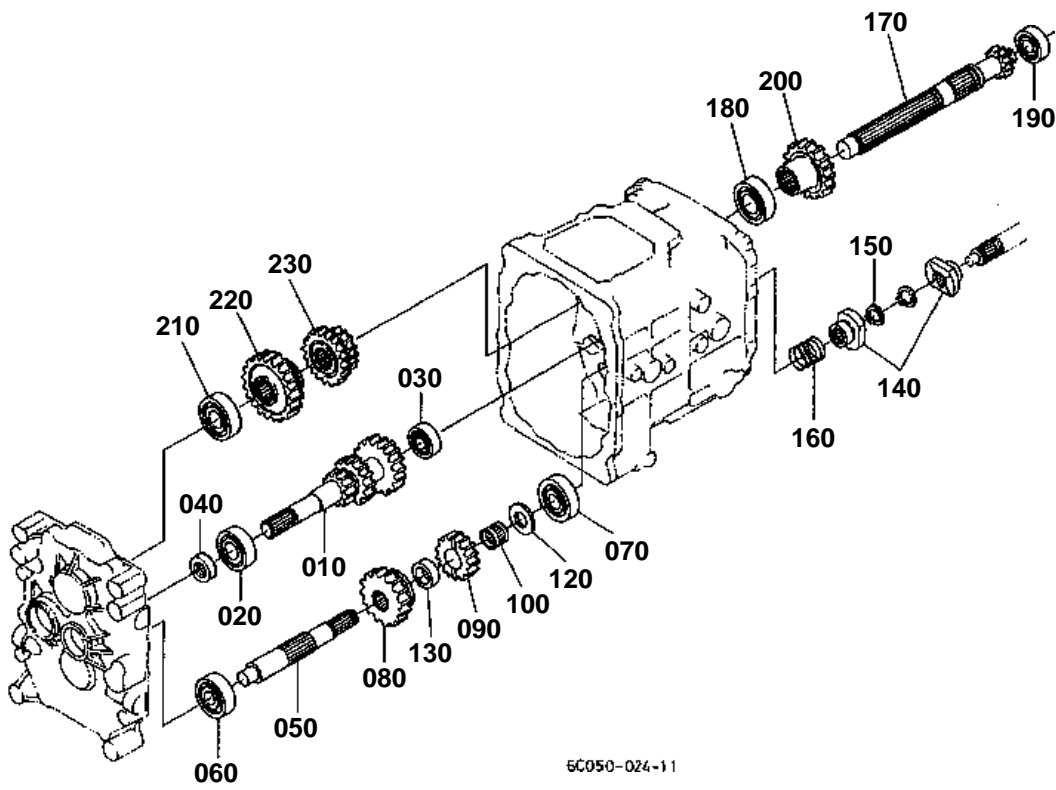




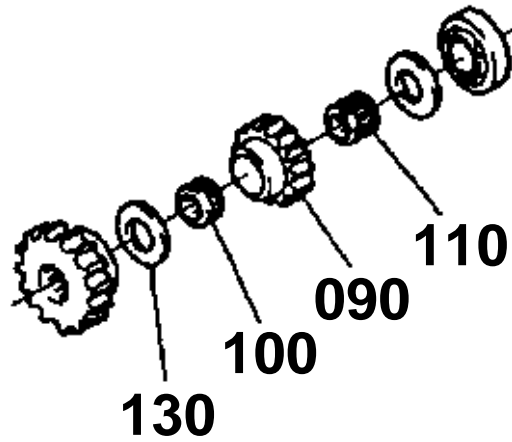
CLUTCH SHAFT/PROPELLER SHAFT

↔ Interchangeable; ≠ not interchangeable; ← new for old; → old for new

| REF.No | Part No. | Description | Q'ty | S.No. | I/C | REMARKS | Weight (kgf) | Weight (lb) |
|--------|-------------|---------------------|------|-------|-----|---------|--------------|-------------|
| 010 | 6C040-13514 | SHAFT CLUTCH | 1 | | | | 0.5 | 1.1 |
| 020 | 52300-16180 | BEARING | 1 | | | | 0.103 | 0.2266 |
| 030 | 04612-00200 | CIR CLIP EXTERNAL | 1 | | | | 0.001 | 0.0022 |
| 040 | 6C040-13520 | GEAR CLUTCH SHAFT | 1 | | | 16T | 0.165 | 0.363 |
| 050 | 08101-06203 | BEARING BALL | 1 | | | | 0.063 | 0.1386 |
| 060 | 6C040-13530 | SEAL OIL | 1 | | | | 0.012 | 0.0264 |
| 070 | 6C040-13613 | SHAFT FRONT | 1 | | | | 0.28 | 0.616 |
| 080 | 08101-06203 | BEARING BALL | 1 | | | | 0.063 | 0.1386 |
| 090 | 52300-16180 | BEARING | 1 | | | | 0.103 | 0.2266 |
| 100 | 6C040-13620 | GEAR SHAFT | 1 | | | 27T | 0.39 | 0.858 |
| 110 | 6C040-13670 | COLLAR | 1 | | | | 0.04 | 0.088 |
| 120 | 04612-00200 | CIR CLIP EXTERNAL | 1 | | | | 0.001 | 0.0022 |
| 130 | 66363-39560 | SEAL OIL | 1 | | | | 0.01 | 0.022 |
| 140 | 6C040-13653 | SHAFT PROPELLER | 1 | | | | 1 | 2.2 |
| 150 | 67111-13710 | COUPLING BALL OUTER | 2 | | | | 0.225 | 0.495 |
| 160 | 05411-00640 | PIN SPRING | 2 | | | | 0.006 | 0.0132 |
| 170 | 32721-57680 | PIN SPRING | 2 | | | | 0.002 | 0.0044 |
| 180 | 67211-14133 | COUPLING BALL INNER | 2 | | | | 0.075 | 0.165 |
| 190 | 67111-13730 | GASKET BALL JOINT | 4 | | | | 0.002 | 0.0044 |
| 200 | 67111-13740 | SUPPORT GASKET | 2 | | | | 0.004 | 0.0088 |
| 210 | 04611-00350 | CIR CLIP INTERNAL | 2 | | | | 0.003 | 0.0066 |
| 220 | 07715-00803 | BALL | 8 | | | | 0.004 | 0.0088 |
| 230 | 6A100-12180 | PLUG | 1 | | | | 0.022 | 0.0484 |



090 6C040-1433-0
100 6C040-1439-0
110 67061-1424-0
130 67950-1465-0



6C040-837-10

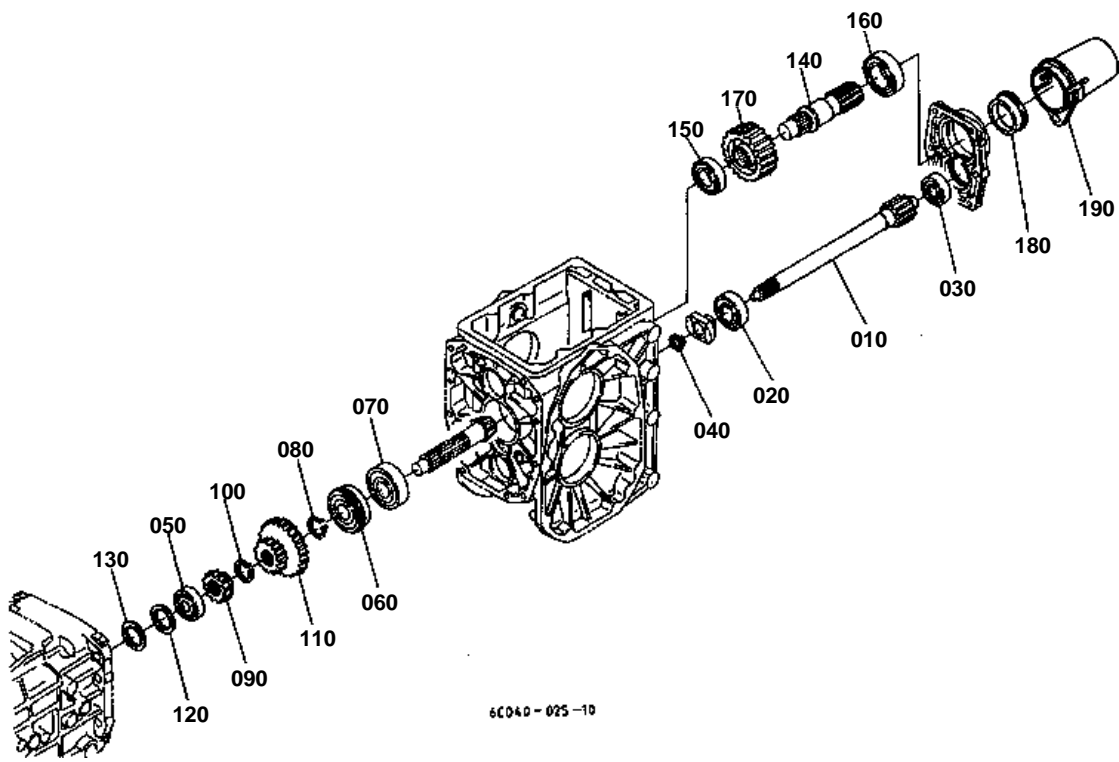


2ND SHAFT/3RD SHAFT/4TH SHAFT

↔ Interchangeable; ≠ not interchangeable; ← new for old; → old for new

| REF.No | Part No. | Description | Q'ty | S.No. | I/C | REMARKS | Weight (kgf) | Weight (lb) |
|--------|-------------|--------------------|------|-------|-----|-----------|--------------|-------------|
| 010 | 6C040-14210 | GEAR-SHAFT | 1 | | | 13-13-18T | 1.2 | 2.64 |
| 020 | 52300-16180 | BEARING | 1 | | | | 0.103 | 0.2266 |
| 030 | 61361-14280 | BEARING BALL | 1 | | | | 0.09 | 0.198 |
| 040 | 09500-20358 | SEAL OIL | 1 | | | | 0.01 | 0.022 |
| 050 | 6C040-14312 | SHAFT | 1 | | | | 0.47 | 1.034 |
| 060 | 08101-06303 | BEARING BALL | 1 | | | | 0.112 | 0.2464 |
| 070 | 08101-06304 | BEARING BALL | 1 | | | | 0.146 | 0.3212 |
| 080 | 6C040-14320 | GEAR | 1 | | | 17T | 0.33 | 0.726 |
| 090 | 6C040-14332 | GEAR | 1 | | | 13T | 0.15 | 0.33 |
| 100 | 6C040-14350 | BEARING NEEDLE | 1 | | | | 0.02 | 0.044 |
| 100 | 6C040-14353 | BEARING NEEDLE | 1 | | ← | | 0.03 | 0.066 |
| 120 | 67111-14160 | COLLAR | 1 | | | | 0.01 | 0.022 |
| 130 | 6C040-14360 | COLLAR | 1 | | | | 0.051 | 0.1122 |
| 140 | 6C040-14520 | CAM ONE WAY CLUTCH | 2 | | | | 0.144 | 0.3168 |
| 150 | 04612-00190 | CIR CLIP EXTERNAL | 1 | | | | 0.001 | 0.0022 |
| 160 | 6C040-14530 | SPRING | 1 | | | | 0.009 | 0.0198 |
| 170 | 6C040-14410 | GEAR-SHAFT | 1 | | | 11T | 0.852 | 1.8744 |
| 180 | 08101-06205 | BEARING BALL | 1 | | | | 0.14 | 0.308 |
| 190 | 61361-14280 | BEARING BALL | 1 | | | | 0.09 | 0.198 |
| 200 | 6C040-14450 | GEAR | 1 | | | 19T | 0.335 | 0.737 |
| 210 | 08101-06304 | BEARING BALL | 1 | | | | 0.146 | 0.3212 |
| 220 | 6C040-14460 | GEAR | 1 | | | 30T | 0.47 | 1.034 |
| 230 | 6C040-14440 | GEAR | 1 | | | 13-17T | 0.36 | 0.792 |

5TH SHAFT/PTO SHAFT



6C040-025-10

190 37410-6311-0



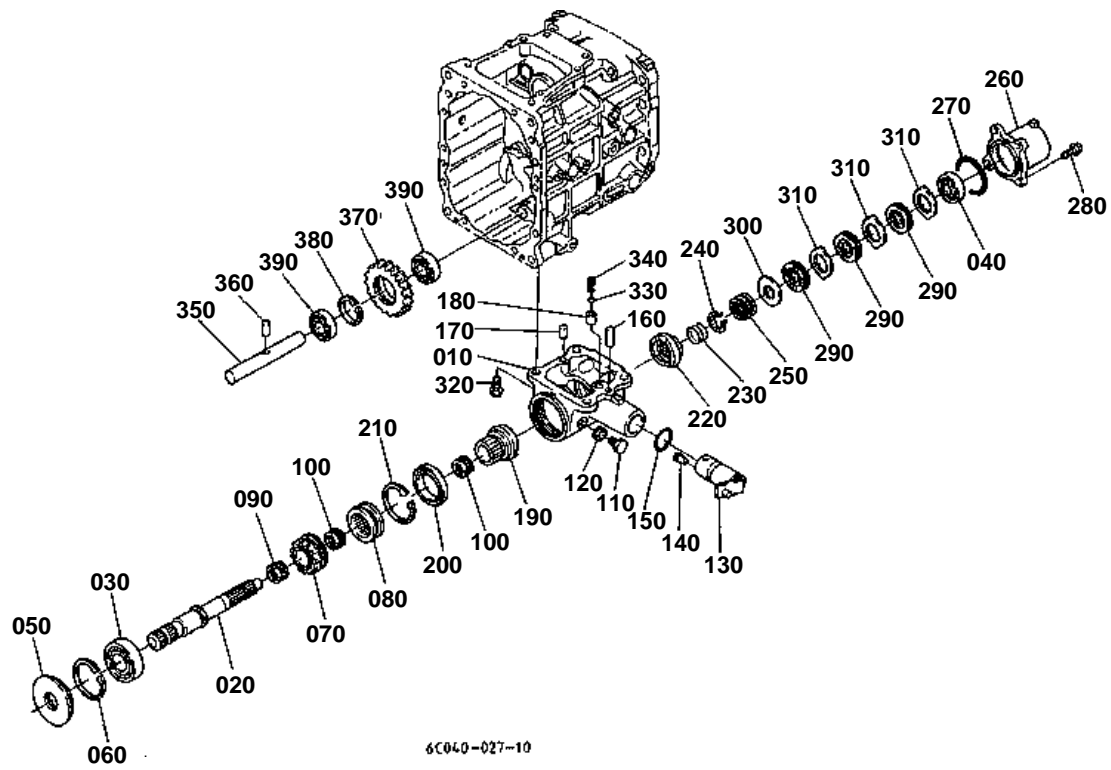
190

6C040-847-10

**5TH SHAFT/PTO SHAFT**

↔ Interchangeable; ≠ not interchangeable; ← new for old; → old for new

| REF.No | Part No. | Description | Q'ty | S.No. | I/C | REMARKS | Weight (kgf) | Weight (lb) |
|--------|-------------|-------------------|------|-------|-----|---------|--------------|-------------|
| 010 | 6C040-14510 | GEAR-SHAFT | 1 | | | 11T | 0.5 | 1.1 |
| 020 | 67121-56770 | BEARING BALL | 1 | | | | 0.127 | 0.2794 |
| 030 | 67955-14170 | BEARING BALL | 1 | | | | 0.114 | 0.2508 |
| 040 | 04612-00190 | CIR CLIP EXTERNAL | 1 | | | | 0.001 | 0.0022 |
| 050 | 08221-07303 | BEARING BALL | 1 | | | | 0.116 | 0.2552 |
| 060 | 38430-21590 | BEARING BALL | 1 | | | | 0.25 | 0.55 |
| 070 | 64441-22170 | BEARING BALL | 1 | | | | 0.24 | 0.528 |
| 080 | 15471-95360 | CIR CLIP EXTERNAL | 1 | | | | 0.004 | 0.0088 |
| 090 | 6C040-14650 | GEAR 4WD | 1 | | | 13T | 0.093 | 0.2046 |
| 100 | 04612-00250 | CIR CLIP EXTERNAL | 1 | | | | 0.002 | 0.0044 |
| 110 | 6C040-14620 | GEAR | 1 | | | 13-32T | 0.452 | 0.9944 |
| 120 | 66591-14720 | SPACER | 1 | | | | 0.002 | 0.0044 |
| 130 | 66611-14670 | SHIM | 1 | | | 1.4MM | 0.008 | 0.0176 |
| 130 | 66611-14680 | SHIM | 1 | | | 1.8MM | 0.01 | 0.022 |
| 130 | 66611-14690 | SHIM | 1 | | | 0.2MM | 0.001 | 0.0022 |
| 140 | 37410-16510 | SHAFT PTO | 1 | | | | 0.79 | 1.738 |
| 150 | 67121-56770 | BEARING BALL | 1 | | | | 0.127 | 0.2794 |
| 160 | 6C040-14730 | BEARING BALL | 1 | | | | 0.15 | 0.33 |
| 170 | 6C040-14720 | GEAR | 1 | | | 24T | 0.68 | 1.496 |
| 180 | 37410-16550 | SEAL OIL | 1 | | | | 0.03 | 0.066 |
| 190 | 37410-63112 | CAP PTO SHAFT | 1 | | | | 0.055 | 0.121 |



6C040-027-10

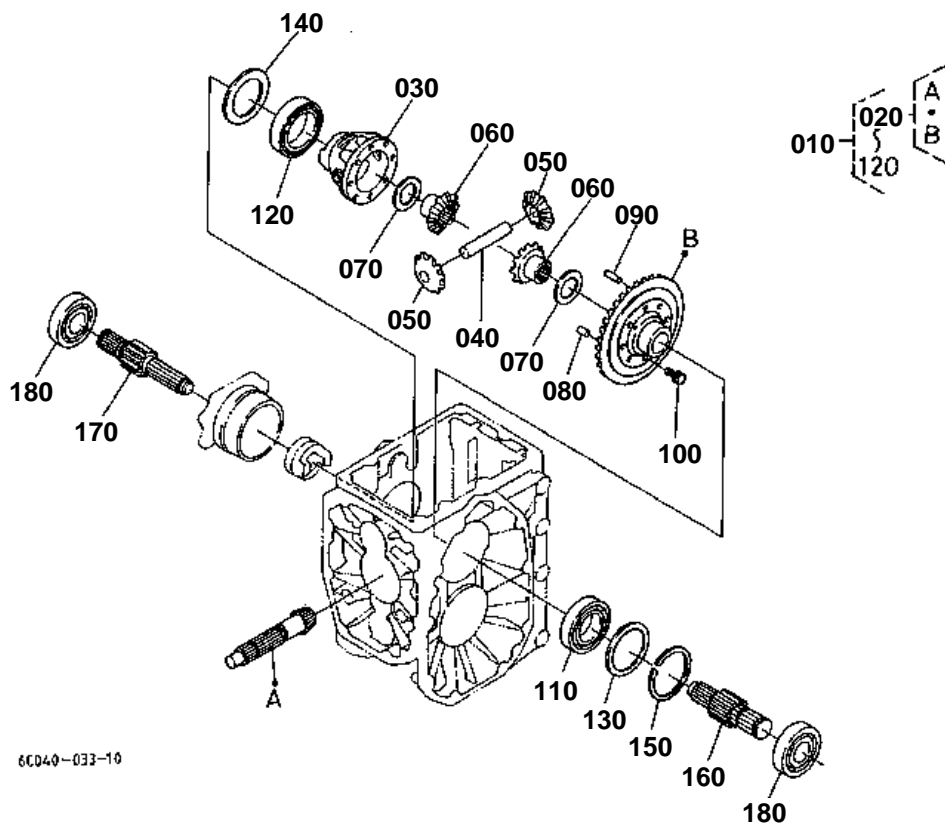


MID PTO

↔ Interchangeable; ≠ not interchangeable; ← new for old; → old for new

| REF.No | Part No. | Description | Q'ty | S.No. | I/C | REMARKS | Weight (kgf) | Weight (lb) |
|--------|-------------|--------------------|------|-------|-----|---------|--------------|-------------|
| 010 | 6C040-21210 | CASE MID PTO | 1 | | | | 0.46 | 1.012 |
| 020 | 6C040-21230 | SHAFT MID PTO | 1 | | | | 0.5 | 1.1 |
| 030 | 08101-06205 | BEARING BALL | 1 | | | | 0.14 | 0.308 |
| 040 | 08101-06203 | BEARING BALL | 1 | | | | 0.063 | 0.1386 |
| 050 | 32430-25540 | SEAL OIL MID PTO | 1 | | | | 0.04 | 0.088 |
| 060 | 04611-00520 | CIR CLIP INTERNAL | 1 | | | | 0.009 | 0.0198 |
| 070 | 6C040-21242 | GEAR MID PTO | 1 | | | 11T | 0.123 | 0.2706 |
| 070 | 6C040-21243 | GEAR MID PTO | 1 | | ≠ | 11T | 0.12 | 0.264 |
| 080 | 6C040-21272 | SHIFTER | 1 | | | | 0.115 | 0.253 |
| 080 | 6C040-21273 | SHIFTER | 1 | | ≠ | | 0.1 | 0.22 |
| 090 | 08822-02413 | BEARING NEEDLE | 1 | | | | 0.01 | 0.022 |
| 100 | 08822-02410 | BEARING NEEDLE | 2 | | | | 0.015 | 0.033 |
| 110 | 06331-35012 | PLUG | 1 | | | | 0.022 | 0.0484 |
| 120 | 04717-01200 | WASHER WITH RUBBER | 1 | | | | 0.002 | 0.0044 |
| 130 | 6C040-21282 | ARM MID PTO | 1 | | | | 0.33 | 0.726 |
| 140 | 6C040-21293 | SHOE | 1 | | | | 0.006 | 0.0132 |
| 150 | 04816-07220 | O RING | 1 | | | | 0.001 | 0.0022 |
| 160 | 05012-00625 | PIN STRAIGHT | 1 | | | | 0.006 | 0.0132 |
| 170 | 05012-00614 | PIN STRAIGHT | 1 | | | | 0.004 | 0.0088 |
| 180 | 66116-11190 | PIPE KNOCK | 1 | | | | 0.002 | 0.0044 |
| 190 | 6C040-21312 | CAM ONE WAY CLUTCH | 1 | | | | 0.189 | 0.4158 |
| 200 | 6C040-21330 | BEARING BALL | 1 | | | | 0.03 | 0.066 |
| 210 | 04611-00520 | CIR CLIP INTERNAL | 1 | | | | 0.009 | 0.0198 |
| 220 | 6C040-14520 | CAM ONE WAY CLUTCH | 1 | | | | 0.144 | 0.3168 |
| 230 | 6C040-21360 | SPRING | 1 | | | | 0.003 | 0.0066 |
| 240 | 04612-00200 | CIR CLIP EXTERNAL | 1 | | | | 0.001 | 0.0022 |
| 250 | 6C040-21370 | SPRING | 1 | | | | 0.018 | 0.0396 |
| 260 | 6C040-21410 | CASE ONE WAY | 1 | | | | 0.15 | 0.33 |
| 270 | 04816-06500 | O RING | 1 | | | | 0.003 | 0.0066 |
| 280 | 01123-50830 | BOLT | 4 | | | | 0.015 | 0.033 |
| 290 | 6C040-21420 | DISK FRICTION | 3 | | | | 0.008 | 0.0176 |
| 300 | 6C040-21430 | PLATE FRICTION | 1 | | | | 0.006 | 0.0132 |
| 310 | 6C040-21440 | PLATE SEPARATOR | 3 | | | | 0.006 | 0.0132 |
| 320 | 01123-51035 | BOLT | 4 | | | | 0.025 | 0.055 |
| 330 | 07715-01605 | BALL | 1 | | | | 0.003 | 0.0066 |
| 340 | 62061-18260 | SPRING STOPPER | 1 | | | | 0.002 | 0.0044 |
| 350 | 6C090-21250 | SHAFT IDLE | 1 | | | | 0.22 | 0.484 |
| 360 | 05411-00616 | PIN SPRING | 1 | | | | 0.002 | 0.0044 |
| 370 | 6C040-21220 | GEAR M-PTO | 1 | | | 19T | 0.22 | 0.484 |
| 380 | 04611-00400 | CIR CLIP INTERNAL | 1 | | | | 0.005 | 0.011 |
| 390 | 08101-06203 | BEARING BALL | 2 | | | | 0.063 | 0.1386 |

REAR DIFFERENTIAL

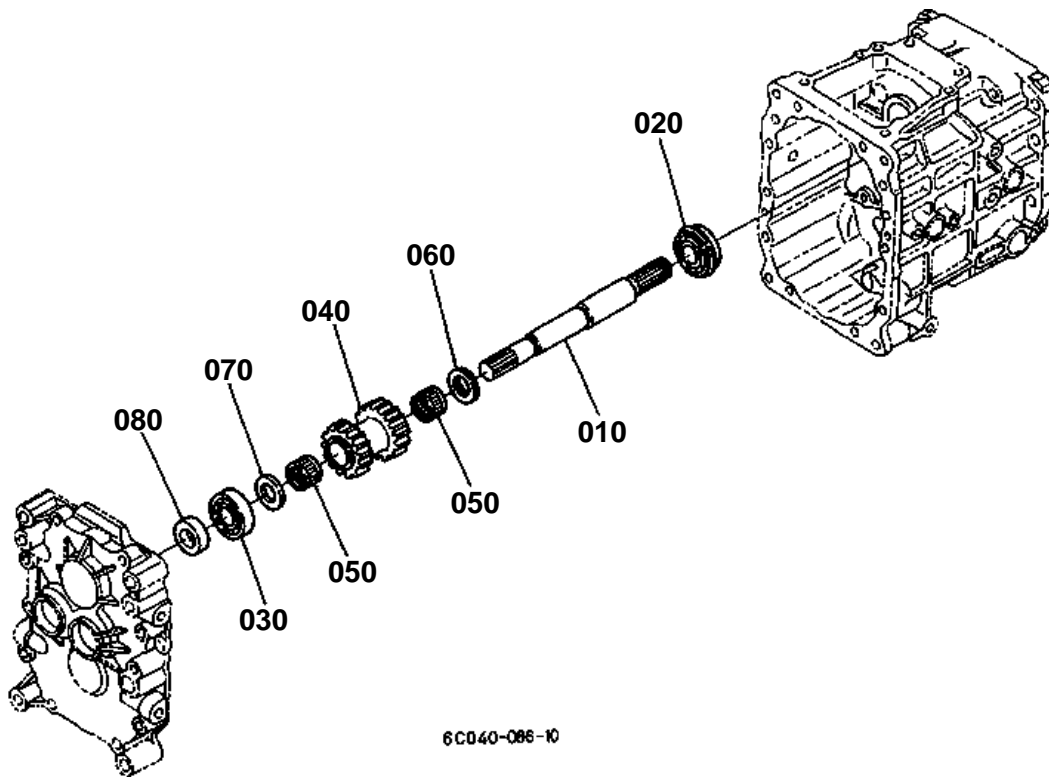


**REAR DIFFERENTIAL**

↔ Interchangeable; ≠ not interchangeable; ← new for old; → old for new

| REF.No | Part No. | Description | Q'ty | S.No. | I/C | REMARKS | Weight (kgf) | Weight (lb) |
|--------|-------------|--------------------|------|-------|-----|---------|--------------|-------------|
| 010 | 6C140-97910 | ASSY DIFFERENTIAL | 1 | | | | 3 | 6.6 |
| 010 | 6C140-97910 | ASSY DIFFERENTIAL | 1 | | ← | | 3 | 6.6 |
| 020 | 6C040-97920 | ASSY GEAR BEVEL | 1 | | | 6-37T | 1.97 | 4.334 |
| 030 | 6C040-14970 | CASE DIFFERENTIAL | 1 | | | | 0.7 | 1.54 |
| 040 | 67711-14912 | SHAFT DIFF.PINION | 1 | | | | 0.14 | 0.308 |
| 050 | 67711-14920 | PINION DIFF. | 2 | | | | 0.11 | 0.242 |
| 060 | 6C040-14930 | GEAR DIFF.SIDE | 2 | | | | 0.165 | 0.363 |
| 070 | 67211-15160 | SHIM | 2 | | | 1.0mm | 0.01 | 0.022 |
| 070 | 67211-15170 | SHIM | 2 | | | 0.8mm | 0.008 | 0.0176 |
| 070 | 67211-15180 | SHIM | 2 | | | 1.2mm | 0.01 | 0.022 |
| 080 | 66591-14792 | PIN KNOCK | 1 | | | | 0.003 | 0.0066 |
| 090 | 66591-14783 | PIN STRAIGHT | 1 | | | | 0.01 | 0.022 |
| 100 | 67810-56680 | BOLT UBS | 6 | | | | 0.013 | 0.0286 |
| 110 | 08101-06009 | BEARING BALL | 1 | | | | 0.22 | 0.484 |
| 120 | 08101-06010 | BEARING BALL | 1 | | | | 0.262 | 0.5764 |
| 130 | 66591-14980 | SHIM DIFF.SIDE | 1 | | | 0.5mm | 0.005 | 0.011 |
| 130 | 66591-14990 | SHIM DIFF.SIDE | 1 | | | 0.2mm | 0.002 | 0.0044 |
| 140 | 66611-15140 | SHIM DIFF.SIDE | 1 | | | 0.5mm | 0.006 | 0.0132 |
| 140 | 66611-15150 | SHIM DIFF.SIDE | 1 | | | 0.2mm | 0.002 | 0.0044 |
| 150 | 04611-00750 | CIR CLIP INTERNAL | 1 | | | | 0.019 | 0.0418 |
| 160 | 6C040-14940 | SHAFT DIFF.GEAR LH | 1 | | | | 0.62 | 1.364 |
| 170 | 6C040-14950 | SHAFT DIFF.GEAR RH | 1 | | | | 0.72 | 1.584 |
| 180 | 08101-06306 | BEARING BALL | 2 | | | | 0.335 | 0.737 |

FRONT WHEEL PROPELLER SHAFT



6C040-086-R0

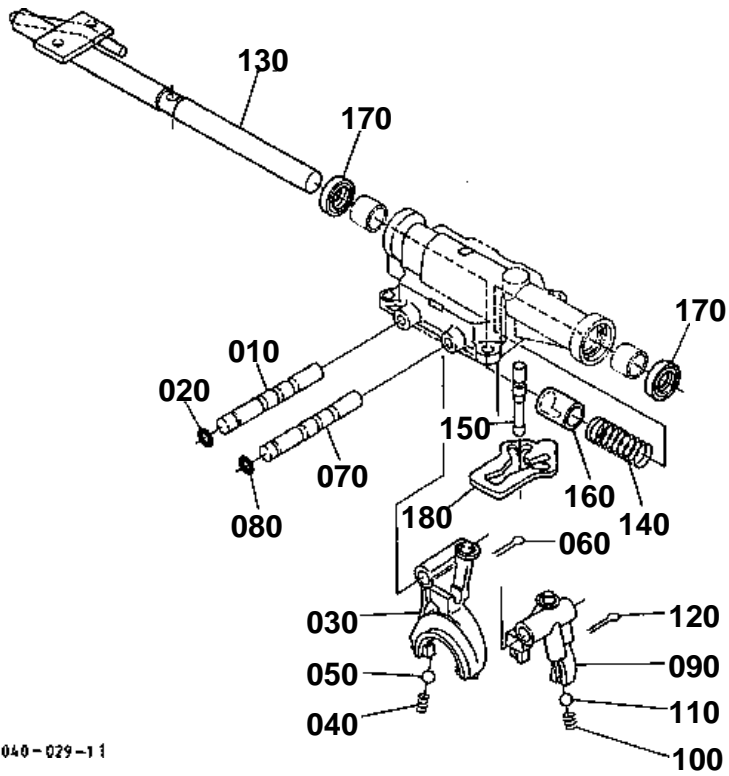


FRONT WHEEL PROPELLER SHAFT

↔ Interchangeable; ≠ not interchangeable; ← new for old; → old for new

| REF.No | Part No. | Description | Q'ty | S.No. | I/C | REMARKS | Weight (kgf) | Weight (lb) |
|--------|-------------|----------------|------|-------|-----|---------|--------------|-------------|
| 010 | 6C040-14810 | SHAFT 4WD | 1 | | | | 0.659 | 1.4498 |
| 020 | 08151-06204 | BEARING BALL | 1 | | | | 0.11 | 0.242 |
| 030 | 08101-06204 | BEARING BALL | 1 | | | | 0.102 | 0.2244 |
| 040 | 6C040-14820 | GEAR REVERSE | 1 | | | 16-20T | 0.5 | 1.1 |
| 050 | 67061-14240 | BEARING NEEDLE | 2 | | | | 0.03 | 0.066 |
| 060 | 62231-14520 | COLLAR | 1 | | | | 0.005 | 0.011 |
| 070 | 67950-14250 | COLLAR | 1 | | | | 0.01 | 0.022 |
| 080 | 09500-20358 | SEAL OIL | 1 | | | | 0.01 | 0.022 |

MAIN GEAR SHIFT FORK

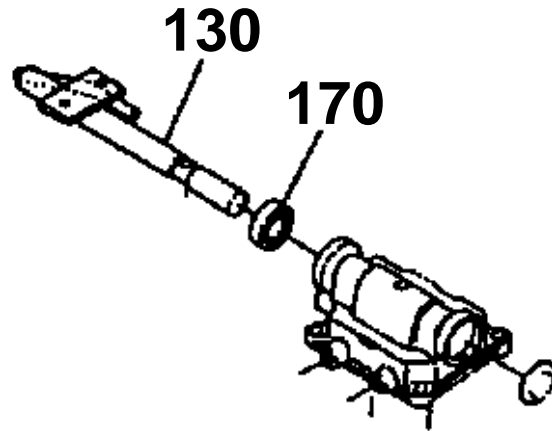


6C040-029-11

MAIN GEAR SHIFT FORK

130 6C040-1821-2

170 6C040-1829-0



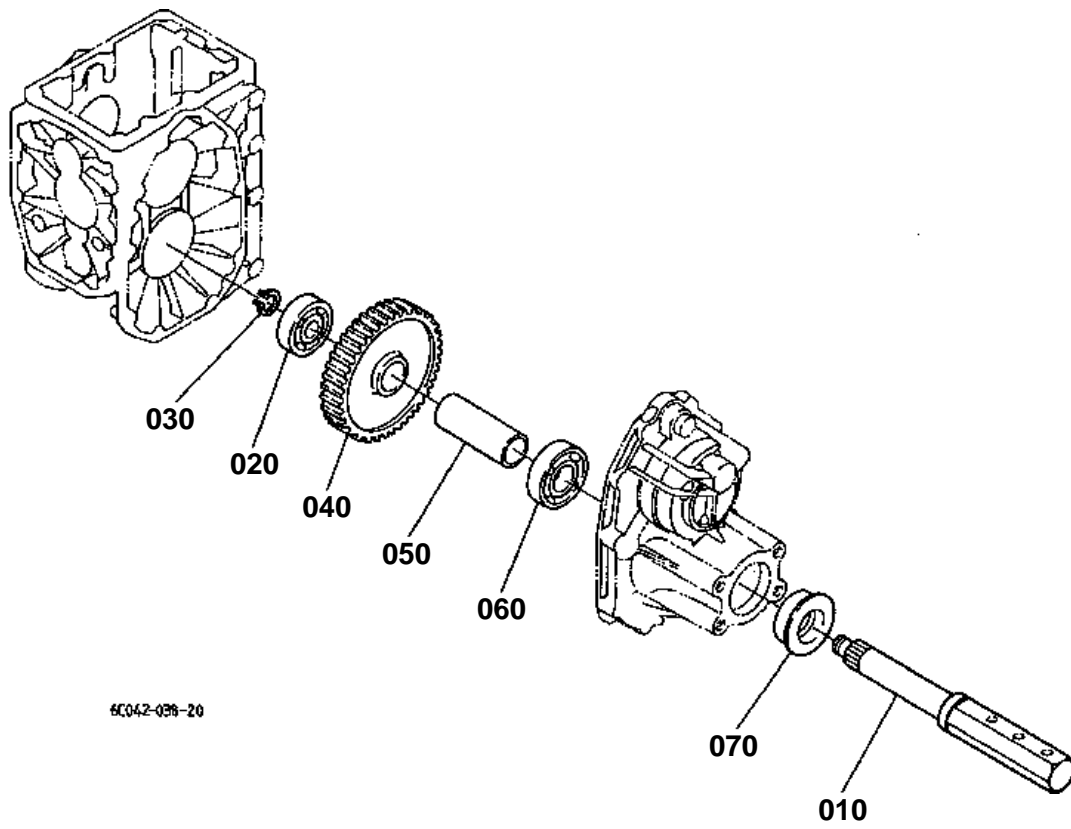
6C040-843-10



MAIN GEAR SHIFT FORK

↔ Interchangeable; ≠ not interchangeable; ← new for old; → old for new

| REF.No | Part No. | Description | Q'ty | S.No. | I/C | REMARKS | Weight (kgf) | Weight (lb) |
|--------|-------------|----------------------|------|-------|-----|---------|--------------|-------------|
| 010 | 6C040-18110 | ROD FORK | 1 | | | | 0.118 | 0.2596 |
| 020 | 04816-06100 | O RING | 1 | | | | 0.001 | 0.0022 |
| 030 | 6C040-18120 | FORK BACK SHIFT | 1 | | | | 0.154 | 0.3388 |
| 040 | 67156-18150 | SPRING SHIFT FORK | 1 | | | | 0.003 | 0.0066 |
| 050 | 07715-00803 | BALL | 1 | | | | 0.004 | 0.0088 |
| 060 | 05511-50322 | PIN SPLIT | 1 | | | | 0.002 | 0.0044 |
| 070 | 6C040-18110 | ROD FORK | 1 | | | | 0.118 | 0.2596 |
| 080 | 04816-06100 | O RING | 1 | | | | 0.001 | 0.0022 |
| 090 | 6C040-18140 | FORK MAIN SHIFT | 1 | | | | 0.135 | 0.297 |
| 100 | 67156-18150 | SPRING SHIFT FORK | 1 | | | | 0.003 | 0.0066 |
| 110 | 07715-00803 | BALL | 1 | | | | 0.004 | 0.0088 |
| 120 | 05511-50322 | PIN SPLIT | 1 | | | | 0.002 | 0.0044 |
| 130 | 6C040-18213 | SHAFT MAIN SHIFT ARM | 1 | | | | 0.096 | 0.2112 |
| 140 | 6A100-18220 | SPRING | 1 | | | | 0.006 | 0.0132 |
| 150 | 6C040-18252 | ARM MAIN SHIFT | 1 | | | | 0.045 | 0.099 |
| 160 | 6C040-18230 | COLLAR | 1 | | | | 0.033 | 0.0726 |
| 170 | 6C040-18290 | SEAL OIL | 2 | | | | 0.009 | 0.0198 |
| 180 | 6A100-18260 | PLATE CHECK | 1 | | | | 0.05 | 0.11 |

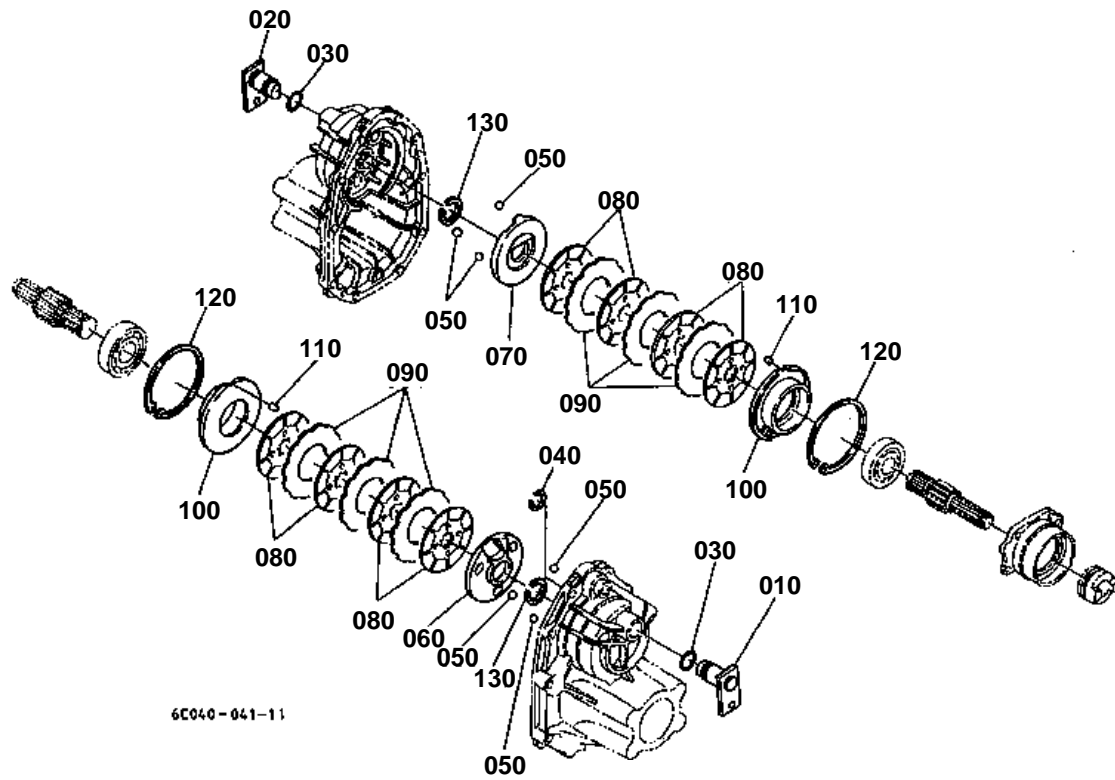


6C042-038-20

**REAR AXLE**

↔ Interchangeable; ≠ not interchangeable; ← new for old; → old for new

| REF.No | Part No. | Description | Q'ty | S.No. | I/C | REMARKS | Weight (kgf) | Weight (lb) |
|--------|-------------|-------------------|------|-------|-----|---------|--------------|-------------|
| 010 | 66611-17114 | AXLE REAR | 2 | | | | 4.64 | 10.208 |
| 020 | 08101-06306 | BEARING BALL | 2 | | | | 0.335 | 0.737 |
| 030 | 04612-00300 | CIR CLIP EXTERNAL | 2 | | | | 0.003 | 0.0066 |
| 040 | 6C040-17130 | GEAR | 2 | | | 57T | 2.55 | 5.61 |
| 050 | 6C040-17140 | COLLAR | 2 | | | | 0.26 | 0.572 |
| 060 | 08101-06208 | BEARING BALL | 2 | | | | 0.355 | 0.781 |
| 070 | 09500-00014 | SEAL OIL | 2 | | | | 0.06 | 0.132 |



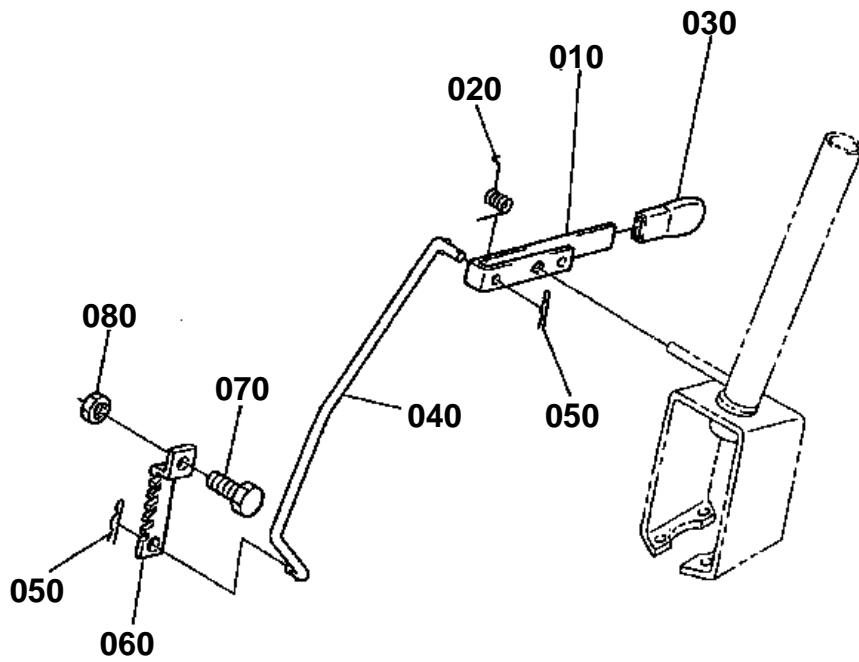
6C040-041-11

**BRAKE**

↔ Interchangeable; ≠ not interchangeable; ← new for old; → old for new

| REF.No | Part No. | Description | Q'ty | S.No. | I/C | REMARKS | Weight (kgf) | Weight (lb) |
|--------|-------------|-------------------|------|-------|-----|---------|--------------|-------------|
| 010 | 6C040-22360 | LEVER CAM LH | 1 | | | | 0.32 | 0.704 |
| 020 | 6C040-22460 | LEVER CAM RH | 1 | | | | 0.33 | 0.726 |
| 030 | 04816-00210 | O RING | 2 | | | | 0.004 | 0.0088 |
| 040 | 67061-14370 | CIR-CLIP | 2 | | | | 0.002 | 0.0044 |
| 050 | 07715-00805 | BALL | 6 | | | | 0.016 | 0.0352 |
| 060 | 6C090-22320 | ACTUATOR LH | 1 | | | | 0.63 | 1.386 |
| 070 | 6C090-22420 | ACTUATOR RH | 1 | | | | 0.63 | 1.386 |
| 080 | 6C090-22350 | DISK BRAKE | 8 | | | | 0.18 | 0.396 |
| 090 | 6C090-22340 | PLATE FRICTION | 6 | | | | 0.12 | 0.264 |
| 100 | 6C040-22380 | HOLDER BEARING | 2 | | | | 0.54 | 1.188 |
| 110 | 6C040-22440 | PIN | 2 | | | | 0.004 | 0.0088 |
| 120 | 6C040-22450 | CIR CLIP INTERNAL | 2 | | | | 0.08 | 0.176 |
| 130 | 70435-51590 | CIR-CLIP | 2 | | | | 0.002 | 0.0044 |

PARKING BRAKE LEVER



6C040-043-11

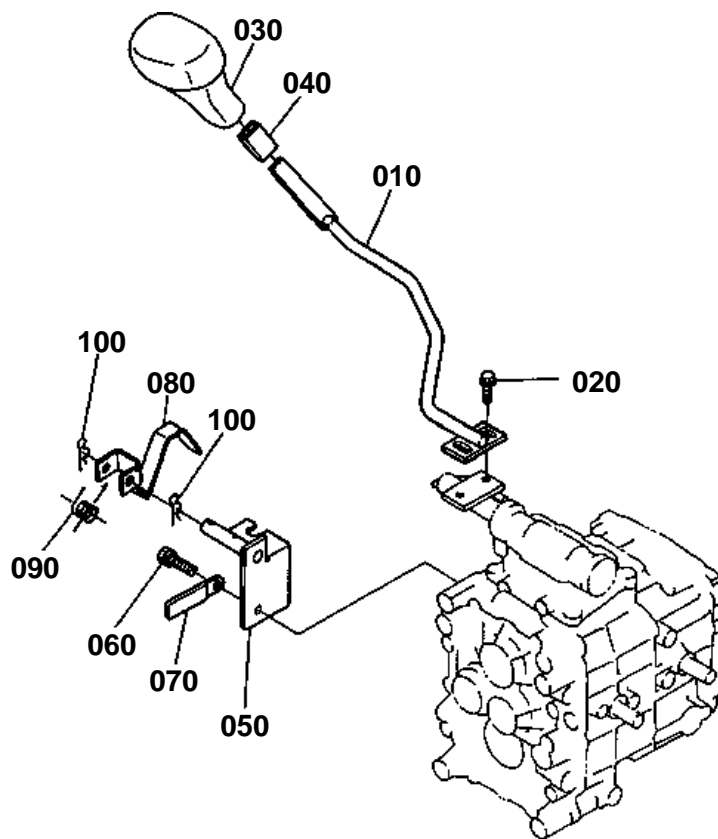


PARKING BRAKE LEVER

↔ Interchangeable; ≠ not interchangeable; ← new for old; → old for new

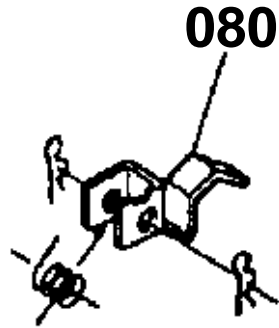
| REF.No | Part No. | Description | Q'ty | S.No. | I/C | REMARKS | Weight (kgf) | Weight (lb) |
|--------|-------------|------------------|------|-------|-----|---------|--------------|-------------|
| 010 | 6C040-41350 | LEVER | 1 | | | | 0.104 | 0.2288 |
| 020 | 6C040-41380 | SPRING RETURN | 1 | | | | 0.008 | 0.0176 |
| 030 | 6C040-41360 | GRIP LEVER | 1 | | | | 0.012 | 0.0264 |
| 040 | 6C040-41373 | ROD BRAKE | 1 | | | | 0.22 | 0.484 |
| 050 | 05525-50800 | PIN SNAP | 2 | | | | 0.001 | 0.0022 |
| 060 | 6C040-42250 | PLATE BRAKE LOCK | 1 | | | | 0.07 | 0.154 |
| 070 | 01153-50822 | BOLT | 1 | | | | 0.011 | 0.0242 |
| 080 | 50591-62370 | NUT | 1 | | | | 0.005 | 0.011 |

MAIN GEAR SHIFT LEVER



6C040-094-10

080 6C040-4257-0



6C040-839-10

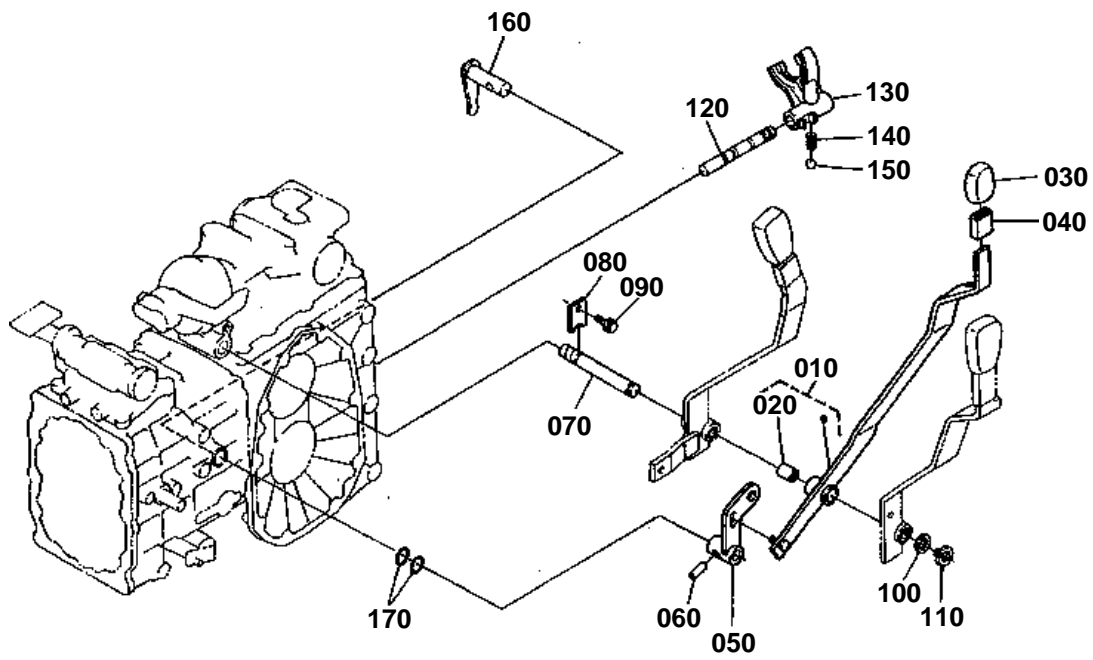


MAIN GEAR SHIFT LEVER

↔ Interchangeable; ≠ not interchangeable; ← new for old; → old for new

| REF.No | Part No. | Description | Q'ty | S.No. | I/C | REMARKS | Weight (kgf) | Weight (lb) |
|--------|-------------|----------------------|------|-------|-----|---------|--------------|-------------|
| 010 | 6C040-42510 | LEVER MAIN SHIFT | 1 | | | | 0 | 0 |
| 020 | 01125-60820 | BOLT | 2 | | | | 0.015 | 0.033 |
| 030 | 6C040-42530 | GRIP LEVER | 1 | | | | 0 | 0 |
| 030 | 6A320-42530 | GRIP LEVER | 1 | | ↔ | | 0.12 | 0.264 |
| 040 | 37560-42294 | CUSHION | 1 | | | | 0.005 | 0.011 |
| 050 | 6C040-42562 | STAY NEUTRAL SWITCH | 1 | | | | 0.13 | 0.286 |
| 060 | 01123-51020 | BOLT | 1 | | | | 0.02 | 0.044 |
| 070 | 37150-34460 | CLAMP CORD | 1 | | | | 0.004 | 0.0088 |
| 080 | 6C040-42572 | LEVER NEUTRAL SWITCH | 1 | | | | 0.06 | 0.132 |
| 090 | 6C040-42550 | SPRING | 1 | | | | 0.002 | 0.0044 |
| 100 | 05525-50800 | PIN SNAP | 2 | | | | 0.001 | 0.0022 |

RANGE GEAR SHIFT LEVER



6C040-030-10

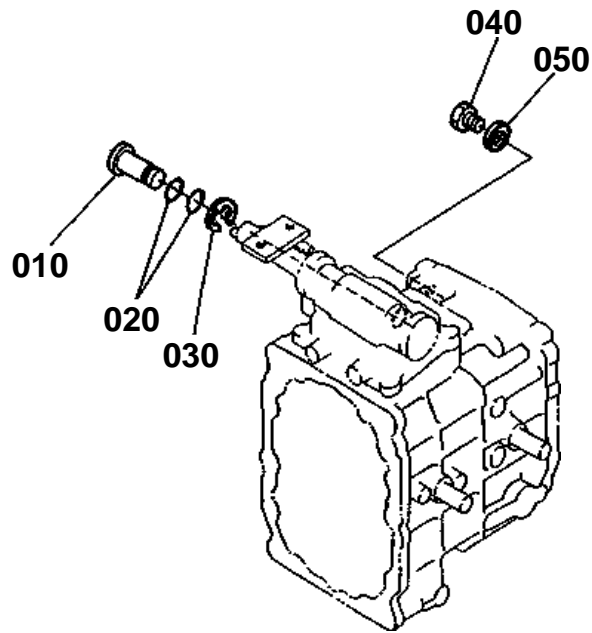


RANGE GEAR SHIFT LEVER

↔ Interchangeable; ≠ not interchangeable; ← new for old; → old for new

| REF.No | Part No. | Description | Q'ty | S.No. | I/C | REMARKS | Weight (kgf) | Weight (lb) |
|--------|-------------|-------------------|------|-------|-----|---------|--------------|-------------|
| 010 | 6C040-42600 | LEVER RANGE SHIFT | 1 | | | | 0.83 | 1.826 |
| 020 | 08511-01825 | BUSH | 1 | | | | 0.01 | 0.022 |
| 030 | 6A320-42630 | GRIP LEVER | 1 | | | | 0.019 | 0.0418 |
| 040 | 37410-43570 | PIPE | 1 | | | | 0.005 | 0.011 |
| 050 | 6C040-42623 | LEVER SHIFT ARM | 1 | | | | 0.174 | 0.3828 |
| 060 | 05411-00832 | PIN SPRING | 1 | | | | 0.035 | 0.077 |
| 070 | 6C040-42670 | SHAFT FULCRUM | 1 | | | | 0.25 | 0.55 |
| 080 | 6C040-42680 | PLATE | 1 | | | | 0.017 | 0.0374 |
| 090 | 01123-60816 | BOLT | 1 | | | | 0.01 | 0.022 |
| 100 | 04011-50180 | WASHER PLAIN | 1 | | | | 0.012 | 0.0264 |
| 110 | 04612-00180 | CIR CLIP EXTERNAL | 1 | | | | 0.001 | 0.0022 |
| 120 | 6C040-18410 | ROD FORK | 1 | | | | 0.122 | 0.2684 |
| 130 | 6C040-18420 | FORK RANGE SHIFT | 1 | | | | 0.079 | 0.1738 |
| 140 | 62061-18260 | SPRING STOPPER | 1 | | | | 0.002 | 0.0044 |
| 150 | 07715-01605 | BALL | 1 | | | | 0.003 | 0.0066 |
| 160 | 6C040-18510 | ARM RANGE SHIFT | 1 | | | | 0.075 | 0.165 |
| 170 | 04816-00160 | O RING | 2 | | | | 0.003 | 0.0066 |

FRONT WHEEL DRIVE LEVER



6C040-087-10

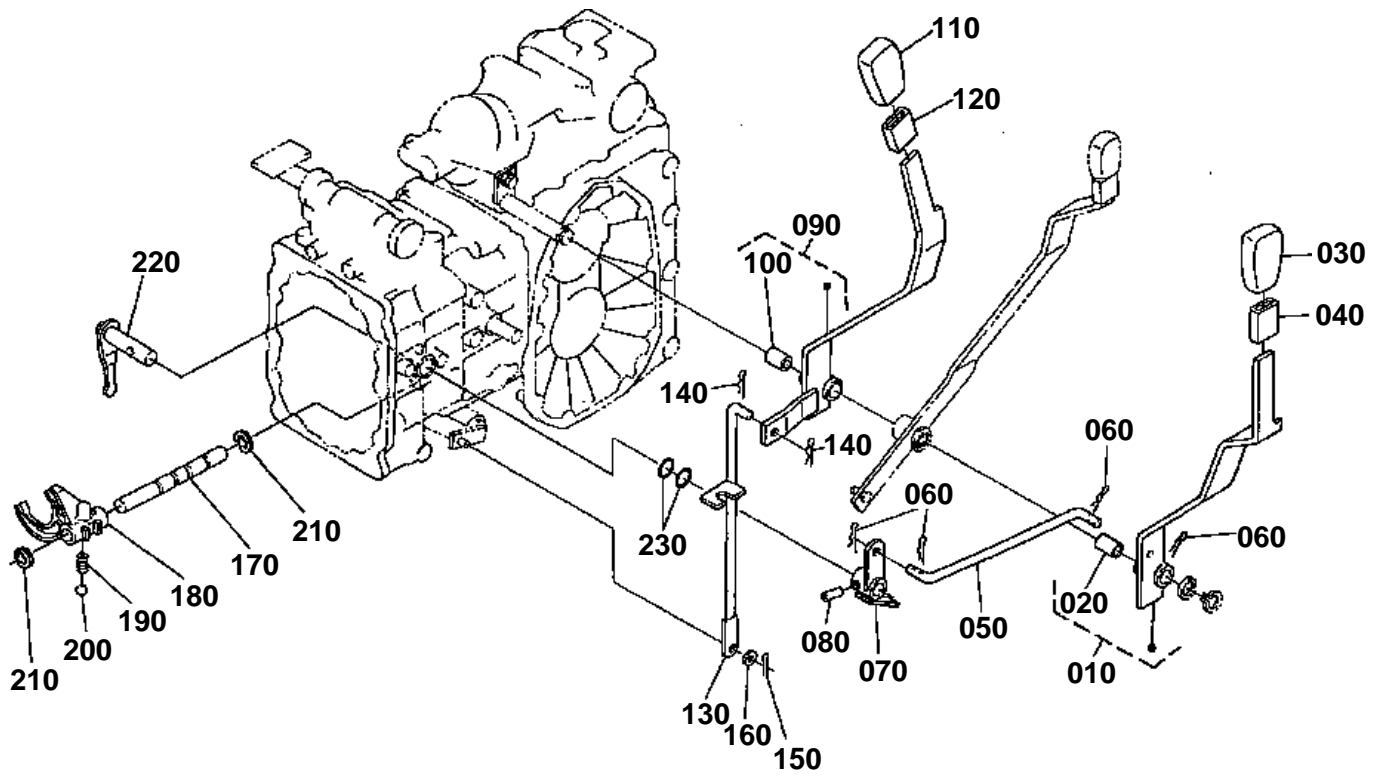


FRONT WHEEL DRIVE LEVER

↔ Interchangeable; ≠ not interchangeable; ← new for old; → old for new

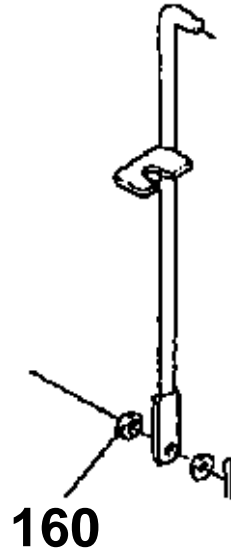
| REF.No | Part No. | Description | Q'ty | S.No. | I/C | REMARKS | Weight (kgf) | Weight (lb) |
|--------|-------------|--------------------|------|-------|-----|---------|--------------|-------------|
| 010 | 6C040-78810 | SHAFT | 1 | | | | 0.08 | 0.176 |
| 020 | 04816-00160 | O RING | 2 | | | | 0.003 | 0.0066 |
| 030 | 04613-50120 | CIR CLIP EXTERNAL | 1 | | | | 0.001 | 0.0022 |
| 040 | 01754-51016 | BOLT FLANGE | 1 | | | | 0.02 | 0.044 |
| 050 | 04717-01000 | WASHER WITH RUBBER | 1 | | | | 0.001 | 0.0022 |

PTO GEAR SHIFT LEVER



6C040-031-11

160 04011-50100



6C040-852-10

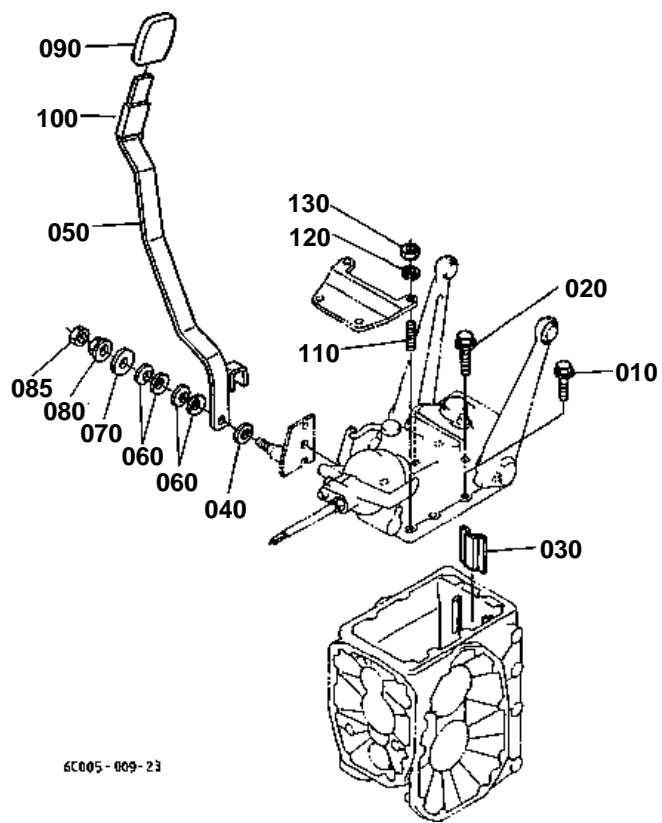


PTO GEAR SHIFT LEVER

↔ Interchangeable; ≠ not interchangeable; ← new for old; → old for new

| REF.No | Part No. | Description | Q'ty | S.No. | I/C | REMARKS | Weight (kgf) | Weight (lb) |
|--------|-------------|---------------------|------|-------|-----|---------|--------------|-------------|
| 010 | 6C040-42700 | LEVER PTO SHIFT | 1 | | | | 0.7 | 1.54 |
| 020 | 08511-01825 | BUSH | 1 | | | | 0.01 | 0.022 |
| 030 | 6A320-42780 | GRIP LEVER | 1 | | | | 0.034 | 0.0748 |
| 040 | 6C040-42760 | CUSHION | 1 | | | | 0.003 | 0.0066 |
| 050 | 6C040-42743 | ROD PTO | 1 | | | | 0.15 | 0.33 |
| 060 | 05525-61000 | PIN SNAP | 4 | | | | 0.002 | 0.0044 |
| 070 | 6C040-42720 | LEVER SHIFT ARM | 1 | | | | 0.1 | 0.22 |
| 080 | 05411-00836 | PIN SPRING | 1 | | | | 0.008 | 0.0176 |
| 090 | 6C040-42800 | LEVER MID PTO SHIFT | 1 | | | | 0.8 | 1.76 |
| 100 | 08511-01825 | BUSH | 1 | | | | 0.01 | 0.022 |
| 110 | 6A320-42780 | GRIP LEVER | 1 | | | | 0.034 | 0.0748 |
| 120 | 6C040-42760 | CUSHION | 1 | | | | 0.003 | 0.0066 |
| 130 | 6C040-42843 | ROD MID PTO | 1 | | | | 0.23 | 0.506 |
| 140 | 05525-61000 | PIN SNAP | 2 | | | | 0.002 | 0.0044 |
| 150 | 05511-52520 | PIN SPLIT | 1 | | | | 0.001 | 0.0022 |
| 160 | 04011-50100 | WASHER PLAIN | 1 | | | | 0.002 | 0.0044 |
| 170 | 6C040-18610 | ROD FORK | 1 | | | | 0.154 | 0.3388 |
| 180 | 6C040-18620 | FORK PTO SHIFT | 1 | | | | 0.09 | 0.198 |
| 190 | 62061-18260 | SPRING STOPPER | 1 | | | | 0.002 | 0.0044 |
| 200 | 07715-01605 | BALL | 1 | | | | 0.003 | 0.0066 |
| 210 | 04613-50120 | CIR CLIP EXTERNAL | 2 | | | | 0.001 | 0.0022 |
| 220 | 6C040-18712 | ARM PTO SHIFT | 1 | | | | 0.16 | 0.352 |
| 230 | 04816-00160 | O RING | 2 | | | | 0.003 | 0.0066 |

POSITON CONTROL LEVER



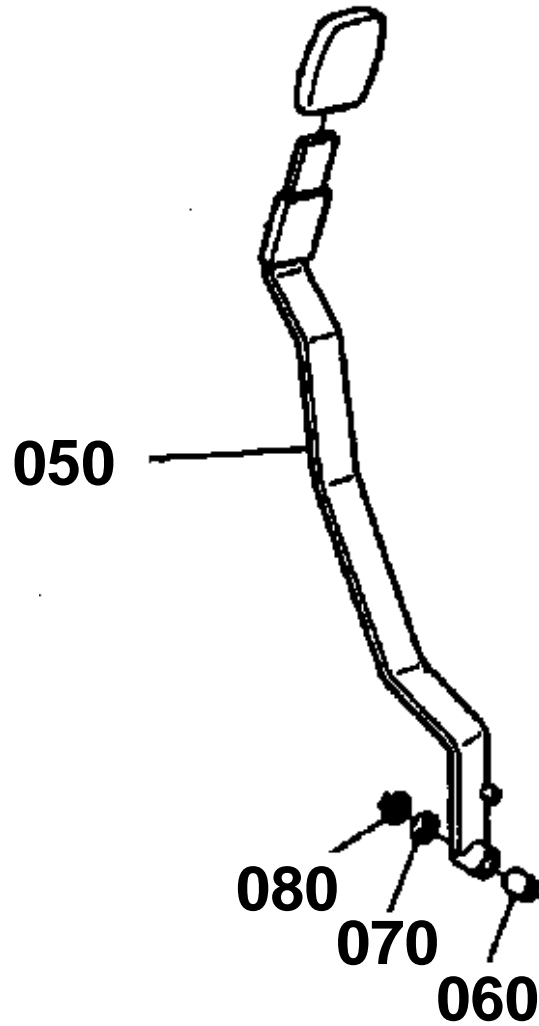
6C005-009-23

050 6C040-3628-0

060 6C040-3625-0

070 04011-50120

080 04612-00120



6C040-815-10

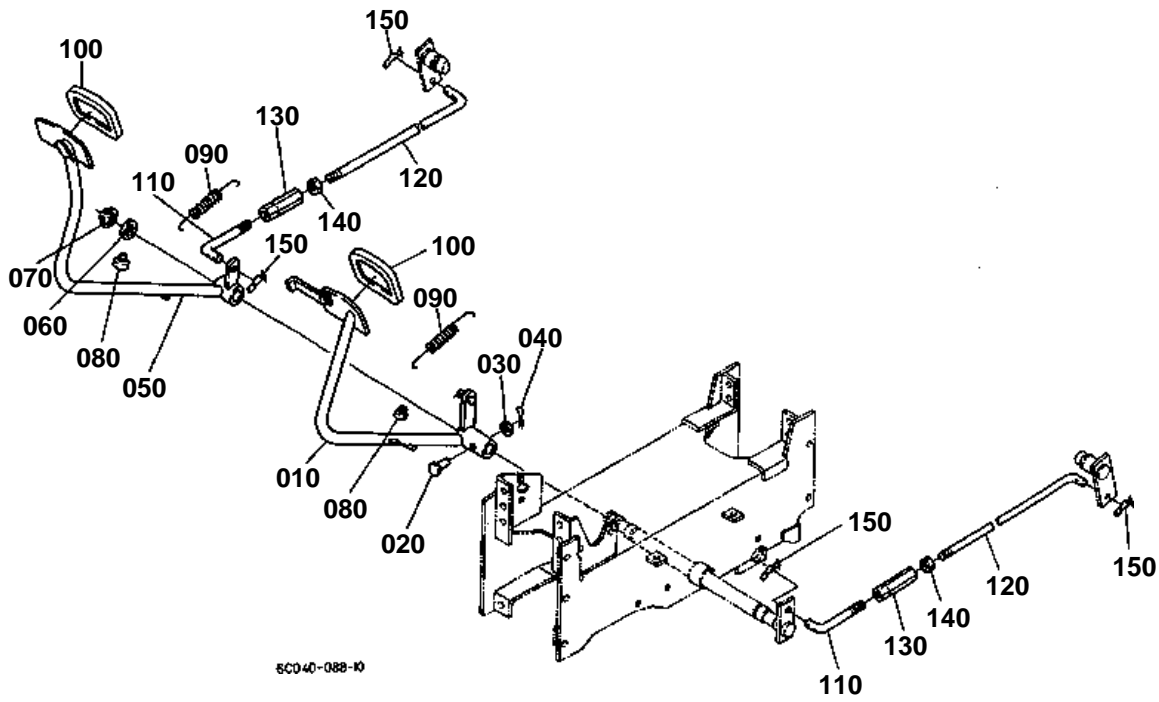


POSITON CONTROL LEVER

↔ Interchangeable; ≠ not interchangeable; ← new for old; → old for new

| REF.No | Part No. | Description | Q'ty | S.No. | I/C | REMARKS | Weight (kgf) | Weight (lb) |
|--------|-------------|-------------------|------|-------|-----|---------|--------------|-------------|
| 010 | 01123-51035 | BOLT | 5 | | | | 0.025 | 0.055 |
| 020 | 01123-51045 | BOLT | 2 | | | | 0.032 | 0.0704 |
| 030 | 6C040-36750 | STOPPER | 1 | | | | 0.222 | 0.4884 |
| 040 | 6C040-36920 | COLLAR | 1 | | | | 0.002 | 0.0044 |
| 050 | 6C040-36284 | LEVER HYD.CONTROL | 1 | | | | 0.556 | 1.2232 |
| 060 | 6C040-36880 | SPRING PLATE | 4 | | | | 0.003 | 0.0066 |
| 070 | 04015-60080 | WASHER PLAIN | 1 | | | | 0.01 | 0.022 |
| 080 | 02121-50080 | NUT | 1 | | | | 0.01 | 0.022 |
| 085 | 02112-50080 | NUT | 1 | | | | 0.003 | 0.0066 |
| 090 | 31395-36880 | GRIP LEVER | 1 | | | | 0.04 | 0.088 |
| 100 | 6C040-42760 | CUSHION | 1 | | | | 0.003 | 0.0066 |
| 110 | 01555-51035 | STUD | 2 | | | | 0.029 | 0.0638 |
| 120 | 04512-60100 | WASHER SPRING | 2 | | | | 0.002 | 0.0044 |
| 130 | 02118-50100 | NUT | 2 | | | | 0.005 | 0.011 |

BRAKE PEDAL

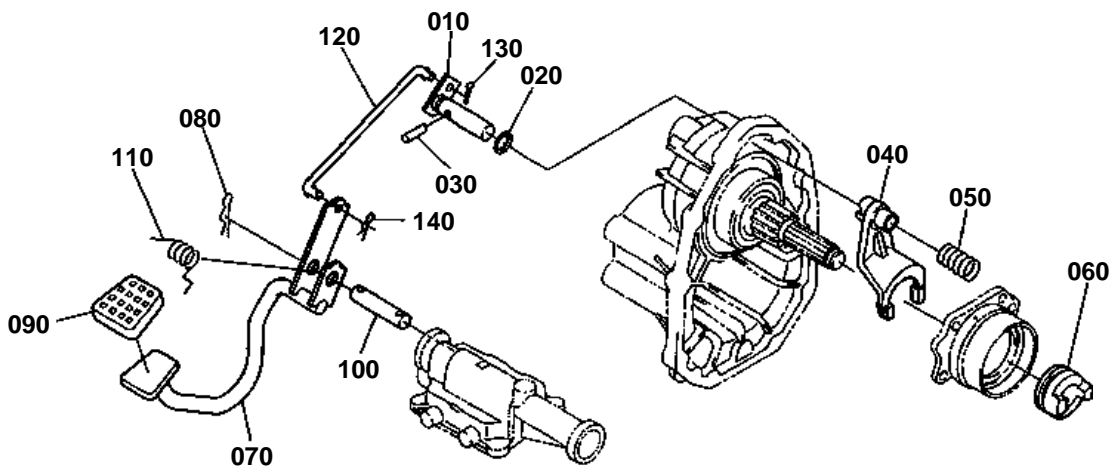


**BRAKE PEDAL**

↔ Interchangeable; ≠ not interchangeable; ← new for old; → old for new

| REF.No | Part No. | Description | Q'ty | S.No. | I/C | REMARKS | Weight (kgf) | Weight (lb) |
|--------|-------------|---------------------|------|-------|-----|---------|--------------|-------------|
| 010 | 6C040-42325 | PEDAL BRAKE LH | 1 | | | | 1.75 | 3.85 |
| 020 | 05122-50840 | PIN JOINT | 1 | | | | 0.017 | 0.0374 |
| 030 | 04012-50080 | WASHER PLAIN | 1 | | | | 0.001 | 0.0022 |
| 040 | 05511-50218 | PIN SPLIT | 1 | | | | 0.001 | 0.0022 |
| 050 | 6C040-42330 | PEDAL BRAKE RH | 1 | | | | 1.77 | 3.894 |
| 060 | 66591-43233 | COLLAR | 1 | | | | 0.004 | 0.0088 |
| 070 | 04612-00240 | CIR CLIP EXTERNAL | 1 | | | | 0.002 | 0.0044 |
| 080 | 6C040-42342 | CUSHION | 2 | | | | 0.005 | 0.011 |
| 090 | 66621-43270 | SPRING BRAKE RETURN | 2 | | | | 0.04 | 0.088 |
| 100 | 37410-44120 | COVER PEDAL | 2 | | | | 0 | 0 |
| 110 | 6C040-42350 | ROD BRAKE FRONT | 2 | | | | 0.068 | 0.1496 |
| 120 | 6C040-42360 | ROD BRAKE REAR | 2 | | | | 0.23 | 0.506 |
| 130 | 6C040-42370 | TURNBUCKLE | 2 | | | | 0.06 | 0.132 |
| 140 | 02118-50100 | NUT | 2 | | | | 0.005 | 0.011 |
| 150 | 6C040-42390 | PIN SNAP | 4 | | | | 0.002 | 0.0044 |

DIFFERENTIAL LOCK PEDAL



6C040-034-11

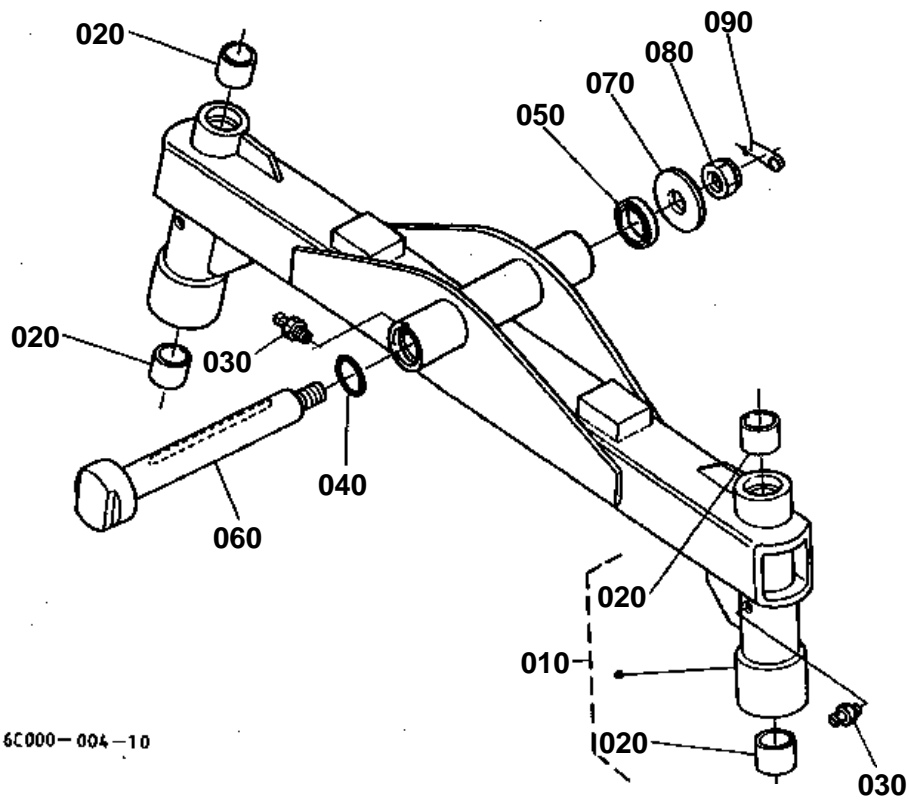


DIFFERENTIAL LOCK PEDAL

↔ Interchangeable; ≠ not interchangeable; ← new for old; → old for new

| REF.No | Part No. | Description | Q'ty | S.No. | I/C | REMARKS | Weight (kgf) | Weight (lb) |
|--------|-------------|----------------------|------|-------|-----|---------|--------------|-------------|
| 010 | 6C040-19120 | ROD FORK | 1 | | | | 0.17 | 0.374 |
| 020 | 04816-06120 | O RING | 1 | | | | 0.002 | 0.0044 |
| 030 | 6A100-19130 | PIN | 1 | | | | 0.017 | 0.0374 |
| 040 | 6C040-19110 | FORK DIFF.LOCK SHIFT | 1 | | | | 0.22 | 0.484 |
| 050 | 6C040-19130 | SPRING | 1 | | | | 0.014 | 0.0308 |
| 060 | 66611-15130 | CLUTCH DIFF.LOCK | 1 | | | | 0.2 | 0.44 |
| 070 | 6C040-42870 | PEDAL DIFF.LOCK | 1 | | | | 0.82 | 1.804 |
| 080 | 05525-61600 | PIN SNAP | 1 | | | | 0.002 | 0.0044 |
| 090 | 37410-42760 | COVER PEDAL | 1 | | | | 0.025 | 0.055 |
| 100 | 6C040-42860 | SHAFT FULCRUM | 1 | | | | 0.107 | 0.2354 |
| 110 | 6C040-42890 | SPRING | 1 | | | | 0.043 | 0.0946 |
| 120 | 6C040-42880 | ROD DIFF.LOCK | 1 | | | | 0.1 | 0.22 |
| 130 | 05511-50215 | PIN SPLIT | 1 | | | | 0.001 | 0.0022 |
| 140 | 05525-50800 | PIN SNAP | 1 | | | | 0.001 | 0.0022 |

FRONT AXLE FRAME



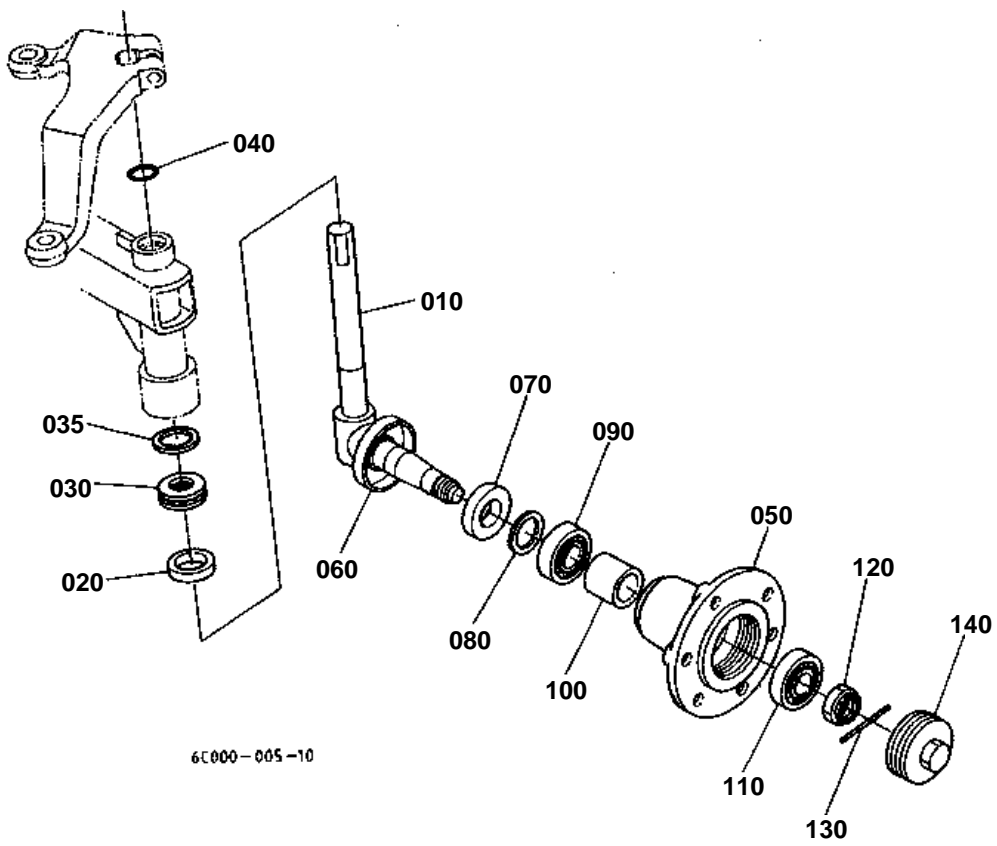


FRONT AXLE FRAME

↔ Interchangeable; ≠ not interchangeable; ← new for old; → old for new

| REF.No | Part No. | Description | Q'ty | S.No. | I/C | REMARKS | Weight (kgf) | Weight (lb) |
|--------|-------------|-------------------|------|-------|-----|---------|--------------|-------------|
| 010 | 6C040-78110 | COMP.FRAME F-AXLE | 1 | | | | 11 | 24.2 |
| 020 | 34150-28430 | BUSH | 4 | | | | 0.04 | 0.088 |
| 030 | 06613-10675 | NIPPLE GREASE | 4 | | | | 0.003 | 0.0066 |
| 040 | 04811-10250 | O RING | 1 | | | | 0.001 | 0.0022 |
| 050 | 09230-25355 | SEAL OIL | 1 | | | | 0.005 | 0.011 |
| 060 | 67800-56140 | PIN CENTER | 1 | | | | 0.81 | 1.782 |
| 070 | 67800-51240 | WASHER | 1 | | | | 0.06 | 0.132 |
| 080 | 02372-50180 | NUT | 1 | | | | 0.019 | 0.0418 |
| 090 | 66611-57150 | SPRING SET | 1 | | | | 0.02 | 0.044 |

FRONT WHEEL HUB



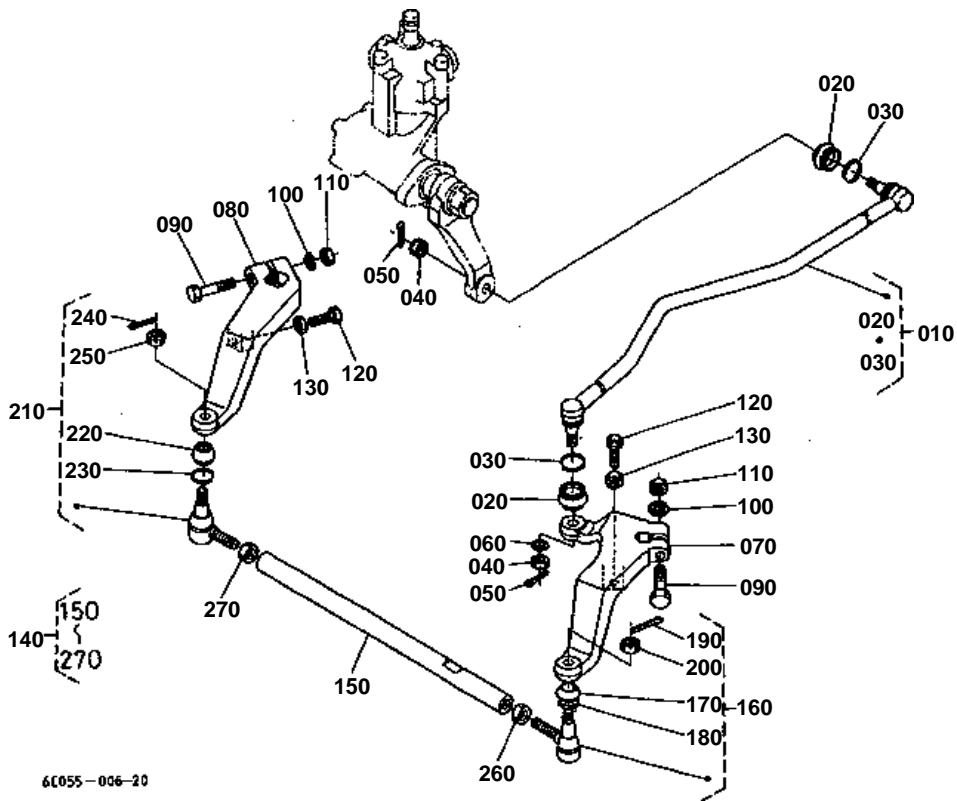


FRONT WHEEL HUB

↔ Interchangeable; ≠ not interchangeable; ← new for old; → old for new

| REF.No | Part No. | Description | Q'ty | S.No. | I/C | REMARKS | Weight (kgf) | Weight (lb) |
|--------|-------------|-----------------|------|-------|-----|---------|--------------|-------------|
| 010 | 67511-56210 | KINGPIN | 2 | | | | 1.51 | 3.322 |
| 020 | 34150-11280 | SEAL OIL | 2 | | | | 0.048 | 0.1056 |
| 030 | 34150-11250 | BEARING THRUST | 2 | | | | 0.065 | 0.143 |
| 035 | 34150-11440 | WASHER | 2 | | | | 0.004 | 0.0088 |
| 040 | 04816-50250 | O RING | 2 | | | | 0.004 | 0.0088 |
| 050 | 6C040-78310 | HUB WHEEL | 2 | | | | 2.62 | 5.764 |
| 060 | 34150-11480 | COVER DUST | 2 | | | | 0.055 | 0.121 |
| 070 | 34150-11150 | SEAL OIL | 2 | | | | 0.05 | 0.11 |
| 080 | 34150-11440 | WASHER | 2 | | | | 0.004 | 0.0088 |
| 090 | 08101-06205 | BEARING BALL | 2 | | | | 0.14 | 0.308 |
| 100 | 34150-11420 | COLLAR | 2 | | | | 0.125 | 0.275 |
| 110 | 08101-06204 | BEARING BALL | 2 | | | | 0.102 | 0.2244 |
| 120 | 02372-50200 | NUT | 2 | | | | 0.024 | 0.0528 |
| 130 | 67800-56450 | PIN SET | 2 | | | | 0.001 | 0.0022 |
| 140 | 67800-56350 | CAP F-WHEEL HUB | 2 | | | | 0.1 | 0.22 |

KNUCKLE ARM

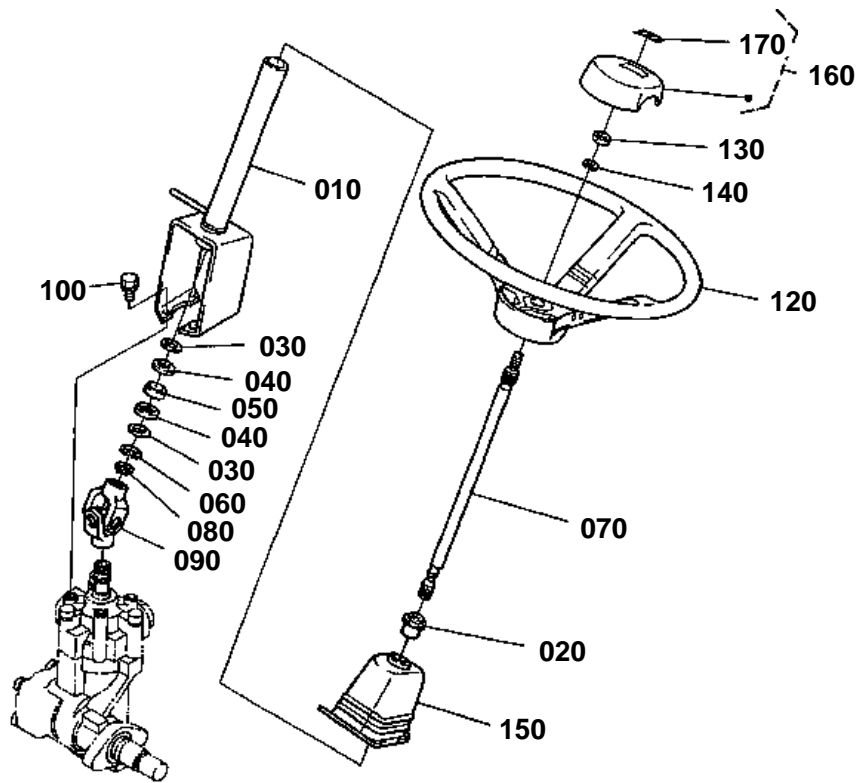


**KNUCKLE ARM**

↔ Interchangeable; ≠ not interchangeable; ← new for old; → old for new

| REF.No | Part No. | Description | Q'ty | S.No. | I/C | REMARKS | Weight (kgf) | Weight (lb) |
|--------|-------------|---------------------|------|-------|-----|---------|--------------|-------------|
| 010 | 6C090-57710 | ASSY LINK DRAG | 1 | | | | 2.57 | 5.654 |
| 020 | 67121-56560 | COVER DUST | 2 | | | | 0.008 | 0.0176 |
| 030 | 67121-56570 | CLIP | 2 | | | | 0.003 | 0.0066 |
| 040 | 66591-56780 | NUT | 2 | | | | 0.01 | 0.022 |
| 050 | 05511-50322 | PIN SPLIT | 2 | | | | 0.002 | 0.0044 |
| 060 | 04512-60100 | WASHER SPRING | 1 | | | | 0.002 | 0.0044 |
| 070 | 6C040-78410 | ARM KNUCKLE LH | 1 | | | | 1.46 | 3.212 |
| 080 | 6C040-78420 | ARM KNUCKLE RH | 1 | | | | 1.15 | 2.53 |
| 090 | 01173-51060 | BOLT | 2 | | | | 0.038 | 0.0836 |
| 100 | 04512-60100 | WASHER SPRING | 2 | | | | 0.002 | 0.0044 |
| 110 | 02118-50100 | NUT | 2 | | | | 0.005 | 0.011 |
| 120 | 66591-56440 | BOLT ADJUSTING | 2 | | | | 0.02 | 0.044 |
| 130 | 02112-50100 | NUT | 2 | | | | 0.004 | 0.0088 |
| 140 | 67810-56502 | ASSY ROD TIE | 1 | | | | 2.14 | 4.708 |
| 150 | 67810-56512 | ROD TIE | 1 | | | | 1.5 | 3.3 |
| 160 | 38440-44790 | ASSY END TIE ROD LH | 1 | | | | 0.32 | 0.704 |
| 170 | 38240-12650 | COVER DUST | 1 | | | | 0.01 | 0.022 |
| 180 | 38240-12660 | CLIP | 1 | | | | 0.005 | 0.011 |
| 190 | 05511-50325 | PIN SPLIT | 1 | | | | 0.002 | 0.0044 |
| 200 | 38240-12830 | NUT | 1 | | | | 0.008 | 0.0176 |
| 210 | 38440-44780 | ASSY END TIE ROD RH | 1 | | | | 0.322 | 0.7084 |
| 220 | 38240-12650 | COVER DUST | 1 | | | | 0.01 | 0.022 |
| 230 | 38240-12660 | CLIP | 1 | | | | 0.005 | 0.011 |
| 240 | 05511-50325 | PIN SPLIT | 1 | | | | 0.002 | 0.0044 |
| 250 | 38240-12830 | NUT | 1 | | | | 0.008 | 0.0176 |
| 260 | 32240-12280 | NUT | 1 | | | | 0.017 | 0.0374 |
| 270 | 02174-50160 | NUT | 1 | | | | 0.022 | 0.0484 |

STEERING HANDLE

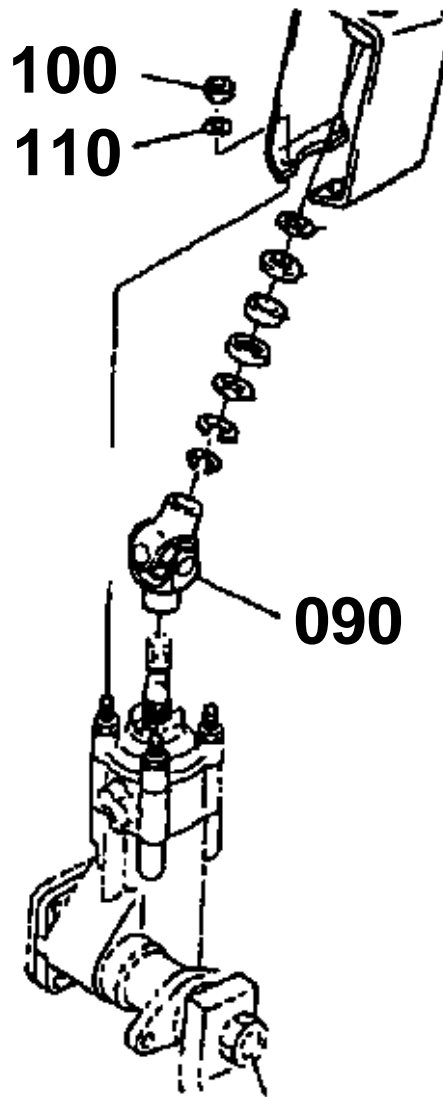


6C042-025-20

090 6C040-4133-0

100 02156-50080

110 04512-60080



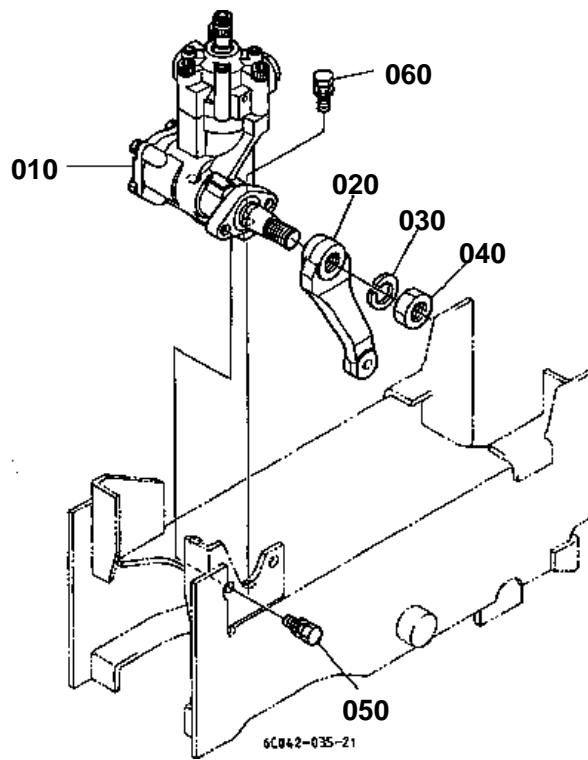
6C040-808-10



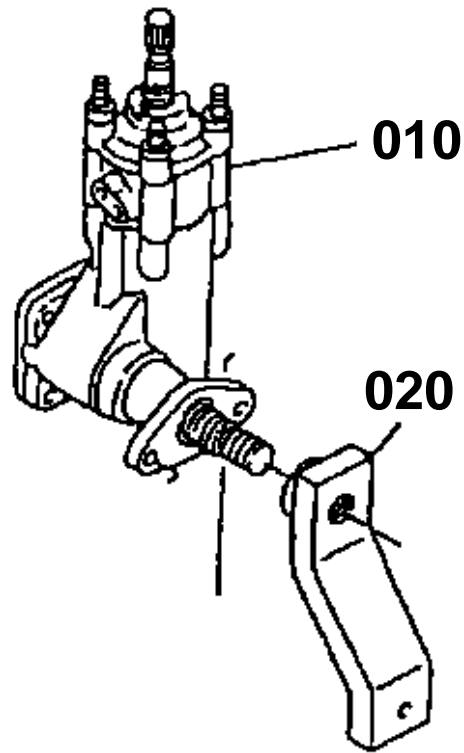
STEERING HANDLE

↔ Interchangeable; ≠ not interchangeable; ← new for old; → old for new

| REF.No | Part No. | Description | Q'ty | S.No. | I/C | REMARKS | Weight (kgf) | Weight (lb) |
|--------|-------------|-------------------|------|-------|-----|---------|--------------|-------------|
| 010 | 6C040-41323 | POST STEERING | 1 | | | | 1.41 | 3.102 |
| 020 | 6C040-41510 | BUSH | 1 | | | | 0.035 | 0.077 |
| 030 | 6C040-41390 | COLLAR | 2 | | | | 0.007 | 0.0154 |
| 040 | 6C040-41523 | COVER BEARING | 2 | | | | 0.007 | 0.0154 |
| 050 | 08121-06002 | BEARING BALL | 1 | | | | 0.03 | 0.066 |
| 060 | 04611-00420 | CIR CLIP INTERNAL | 1 | | | | 0.006 | 0.0132 |
| 070 | 6C040-41340 | SHAFT STEERING | 1 | | | | 0.49 | 1.078 |
| 080 | 04612-00150 | CIR CLIP EXTERNAL | 1 | | | | 0.001 | 0.0022 |
| 090 | 6C042-41330 | JOINT UNIVERSAL | 1 | | | | 0.27 | 0.594 |
| 100 | 01123-50820 | BOLT | 4 | | | | 0.011 | 0.0242 |
| 120 | 6C040-41410 | WHEEL STEERING | 1 | | | | 1.41 | 3.102 |
| 130 | 02174-50120 | NUT | 1 | | | | 0.01 | 0.022 |
| 140 | 04512-60120 | WASHER SPRING | 1 | | | | 0.005 | 0.011 |
| 150 | 6C040-53553 | BOOT STEERING | 1 | | | | 0.075 | 0.165 |
| 160 | 6C040-41420 | ASSY PAD | 1 | | | | 0.041 | 0.0902 |
| 170 | 6C040-41440 | MARK STEERING | 1 | | | | 0.001 | 0.0022 |



010 6C040-4110-0
020 6C040-4121-3



6C040-844-10

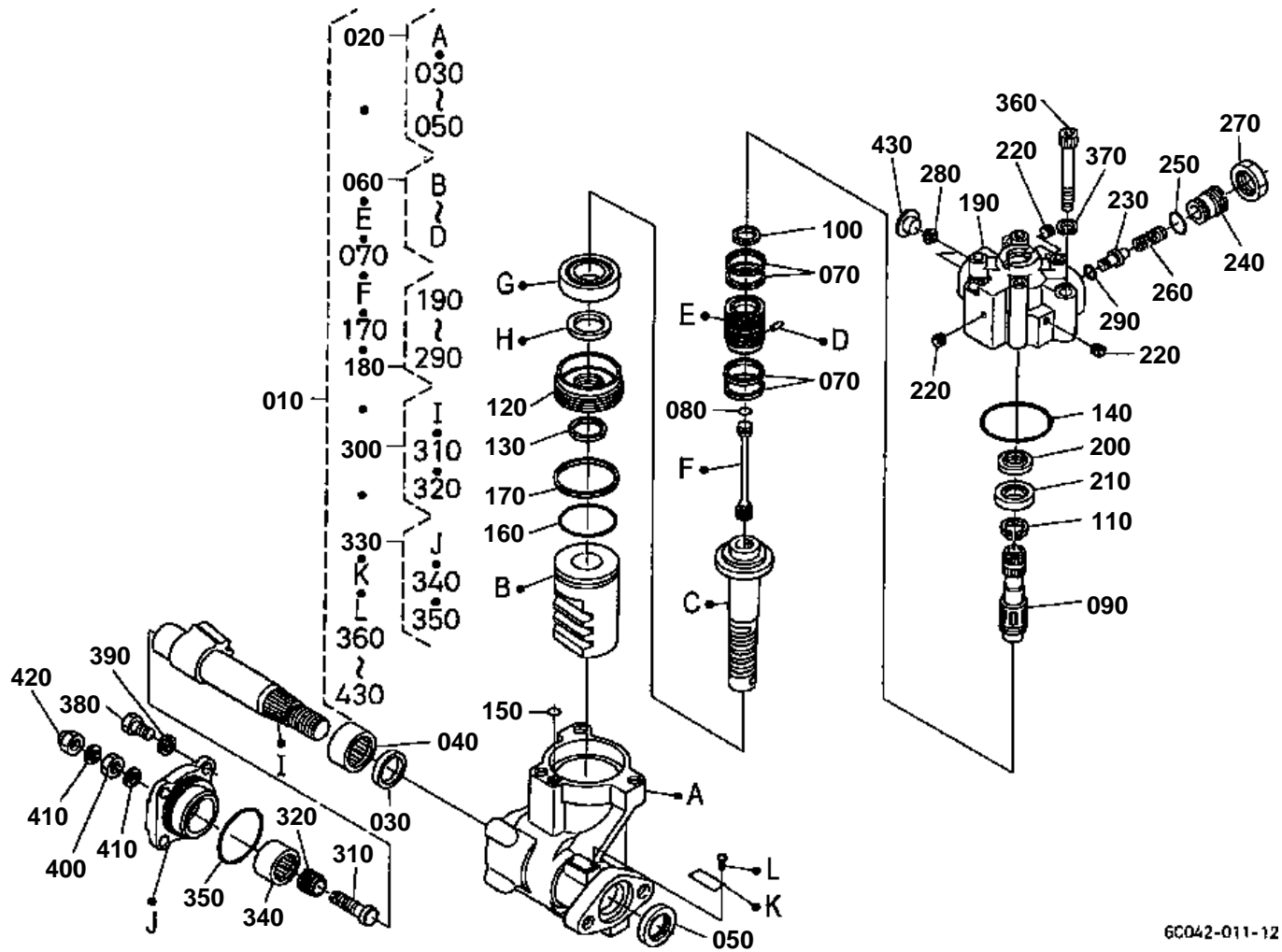


STEERING CONTROLLER

↔ Interchangeable; ≠ not interchangeable; ← new for old; → old for new

| REF.No | Part No. | Description | Q'ty | S.No. | I/C | REMARKS | Weight (kgf) | Weight (lb) |
|--------|-------------|---------------------|------|-------|-----|---------|--------------|-------------|
| 010 | 6C042-41102 | ASSY STEERING POWER | 1 | | | | 0 | 0 |
| 010 | 6C052-41000 | ASSY STEERING POWER | 1 | | ↔ | | 0 | 0 |
| 020 | 6C042-41210 | ARM PITMAN | 1 | | | | 0 | 0 |
| 030 | 04512-60220 | WASHER SPRING | 1 | | | | 0.025 | 0.055 |
| 040 | 02176-50220 | NUT | 1 | | | | 0.058 | 0.1276 |
| 050 | 01133-51230 | BOLT | 2 | | | | 0.04 | 0.088 |
| 060 | 01133-51235 | BOLT | 2 | | | | 0.043 | 0.0946 |

STEERING CONTROLLER [COMPONENT PARTS]



6C042-011-12

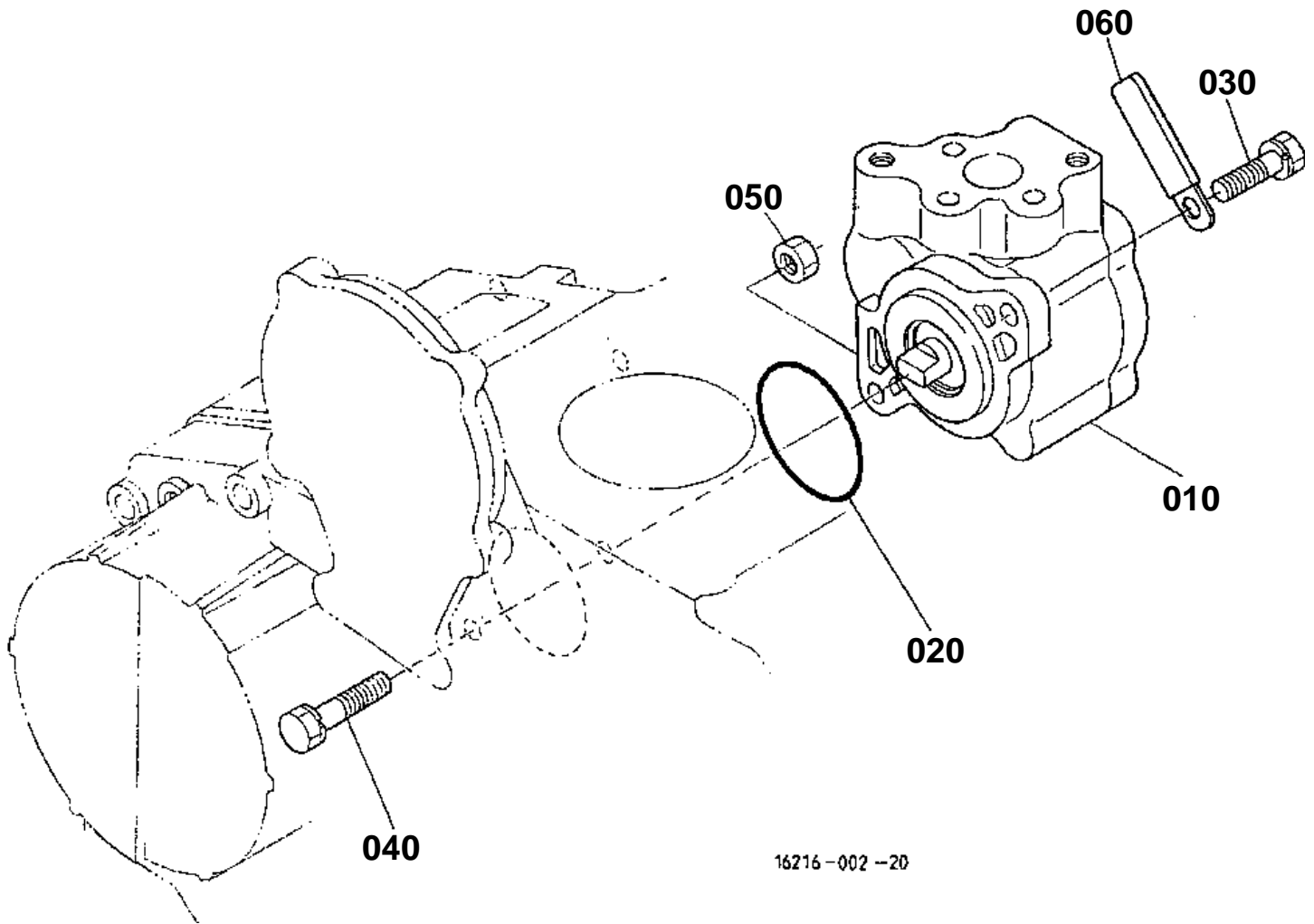


STEERING CONTROLLER [COMPONENT PARTS]

↔ Interchangeable; ≠ not interchangeable; ← new for old; → old for new

| REF.No | Part No. | Description | Q'ty | S.No. | I/C | REMARKS | Weight (kgf) | Weight (lb) |
|--------|-------------|---------------------|------|-------|-----|---------|--------------|-------------|
| 010 | 6C052-41000 | ASSY STEERING POWER | 1 | | | | 0 | 0 |
| 020 | 6C052-41400 | ASSY CASE GEAR | 1 | | | | 0 | 0 |
| 030 | 6A100-92020 | GASKET U | 1 | | | | 0.003 | 0.0066 |
| 040 | 6A100-92030 | BEARING BALL | 1 | | | | 0.05 | 0.11 |
| 050 | 6A100-92040 | SEAL DUST | 1 | | | | 0.006 | 0.0132 |
| 060 | 6A600-92040 | ASSY LACK PISTON | 1 | | | | 2.06 | 4.532 |
| 070 | 6A100-92510 | SEAL | 4 | | | | 0.002 | 0.0044 |
| 080 | 04811-10060 | O RING | 1 | | | | 0.001 | 0.0022 |
| 090 | 6C052-92120 | SHAFT | 1 | | | | 0 | 0 |
| 100 | 6A100-92540 | SQUARE RING | 1 | | | | 0.001 | 0.0022 |
| 110 | 6A100-92550 | RING SNAP | 1 | | | | 0.002 | 0.0044 |
| 120 | 6A600-92030 | PLUG | 1 | | | | 0.09 | 0.198 |
| 130 | T0430-37170 | SEAL | 1 | | | | 0.001 | 0.0022 |
| 140 | 04811-50650 | O RING | 1 | | | | 0.002 | 0.0044 |
| 150 | 04817-00060 | O RING | 1 | | | | 0.002 | 0.0044 |
| 160 | 04816-50450 | O RING | 1 | | | | 0.001 | 0.0022 |
| 170 | 6A100-92630 | SEAL | 1 | | | | 0.002 | 0.0044 |
| 180 | 32721-92200 | ASSY HOUSING VALVE | 1 | | | | 0.85 | 1.87 |
| 190 | 32721-92210 | HOUSING VALVE | 1 | | | | 0.83 | 1.826 |
| 200 | 6A100-92220 | SEAL OIL | 1 | | | | 0.006 | 0.0132 |
| 210 | T0430-37080 | ASSY BUSH | 1 | | | | 0.024 | 0.0528 |
| 220 | T0430-37090 | PLUG | 3 | | | | 0.003 | 0.0066 |
| 230 | 6C070-92230 | POPET | 1 | | | | 0.005 | 0.011 |
| 240 | 31351-66370 | SCREW ADJUSTING | 1 | | | | 0.047 | 0.1034 |
| 250 | 31351-66390 | O RING | 1 | | | | 0.001 | 0.0022 |
| 260 | 38430-66380 | SPRING | 1 | | | | 0.015 | 0.033 |
| 270 | 31351-66380 | NUT | 1 | | | | 0.022 | 0.0484 |
| 280 | 6C042-41540 | FERRULE | 2 | | | | 0.004 | 0.0088 |
| 290 | 6C070-92240 | O RING | 1 | | | | 0.001 | 0.0022 |
| 300 | 6C042-41600 | ASSY SHAFT SECTOR | 1 | | | | 1.02 | 2.244 |
| 310 | 35270-16620 | SCREW ADJUSTING | 1 | | | | 0.028 | 0.0616 |
| 320 | 35270-16630 | BOLT | 1 | | | | 0.011 | 0.0242 |
| 330 | 6A100-92350 | ASSY COVER SIDE | 1 | | | | 0.54 | 1.188 |
| 340 | 35270-16420 | BEARING NEEDLE | 1 | | | | 0.045 | 0.099 |
| 350 | 04817-50500 | O RING | 1 | | | | 0.003 | 0.0066 |
| 360 | 6C042-41850 | BOLT | 3 | | | | 0.05 | 0.11 |
| 370 | 04512-60100 | WASHER SPRING | 3 | | | | 0.002 | 0.0044 |
| 380 | 6A100-92650 | BOLT | 4 | | | | 0.011 | 0.0242 |
| 390 | 6A100-92660 | WASHER SPRING | 4 | | | | 0.002 | 0.0044 |
| 400 | 66363-41250 | NUT | 1 | | | | 0.01 | 0.022 |
| 410 | 35270-16690 | GASKET | 2 | | | | 0.001 | 0.0022 |
| 420 | 35270-16700 | NUT | 1 | | | | 0.11 | 0.242 |
| 430 | 6C042-41860 | PLUG | 2 | | | | 0.001 | 0.0022 |

HYDRAULIC PUMP



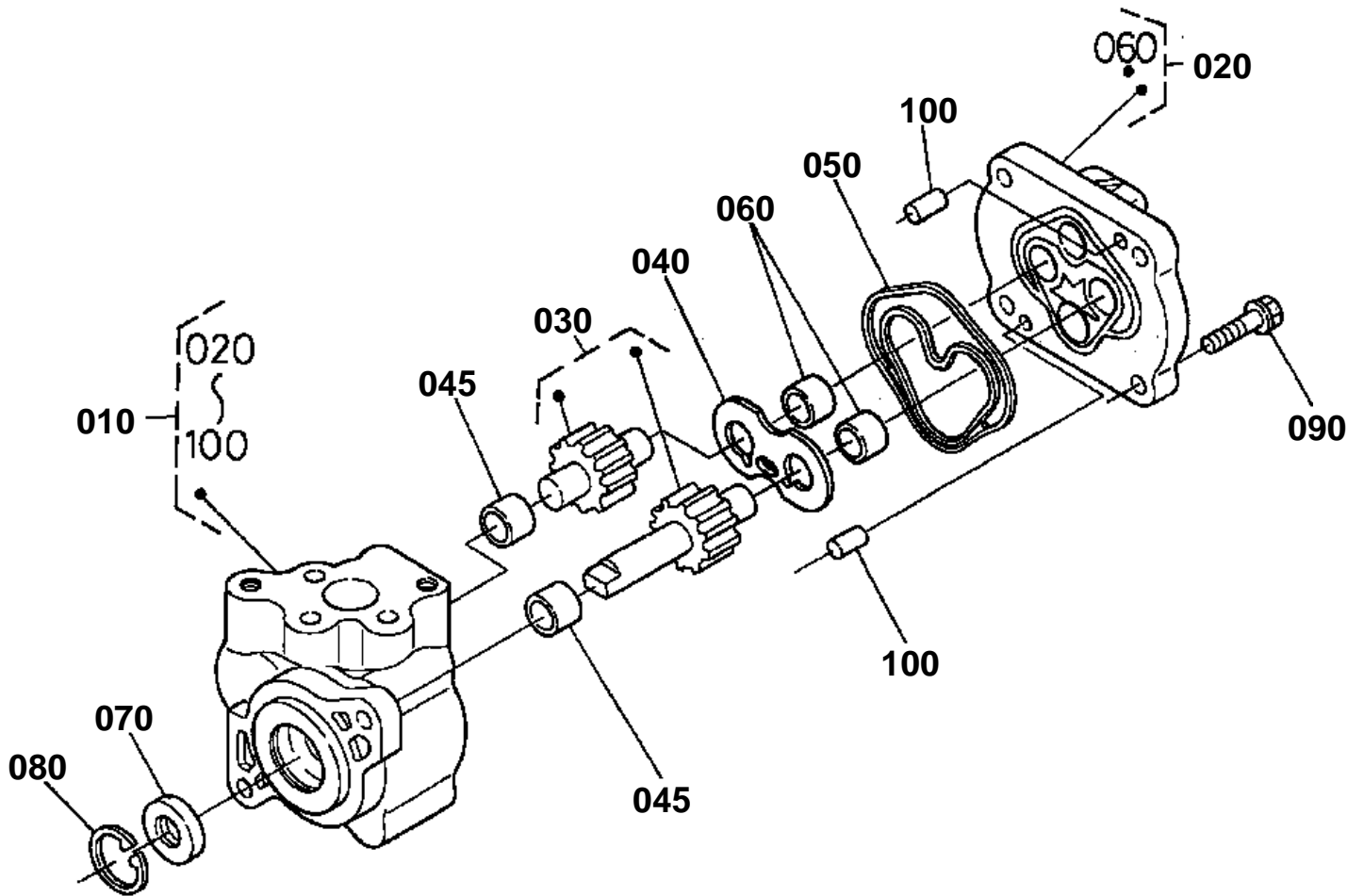
16216-002-20



HYDRAULIC PUMP

↔ Interchangeable; ≠ not interchangeable; ← new for old; → old for new

| REF.No | Part No. | Description | Q'ty | S.No. | I/C | REMARKS | Weight (kgf) | Weight (lb) |
|--------|-------------|---------------------|------|----------|-----|---------|--------------|-------------|
| 010 | 6C040-36300 | ASSY PUMP HYDRAULIC | 1 | <=YX0866 | | | 0 | 0 |
| 010 | 6C040-36308 | ASSY PUMP HYDRAULIC | 1 | >=YY0001 | ← | | 1.28 | 2.816 |
| 020 | 04811-10460 | O RING | 1 | | | | 0.002 | 0.0044 |
| 030 | 01123-50825 | BOLT | 1 | | | | 0.013 | 0.0286 |
| 040 | 01123-50835 | BOLT | 1 | | | | 0.02 | 0.044 |
| 050 | 02056-50080 | NUT | 1 | | | | 0.005 | 0.011 |
| 060 | 13824-67590 | CLAMP CORD | 1 | | | | 0.002 | 0.0044 |

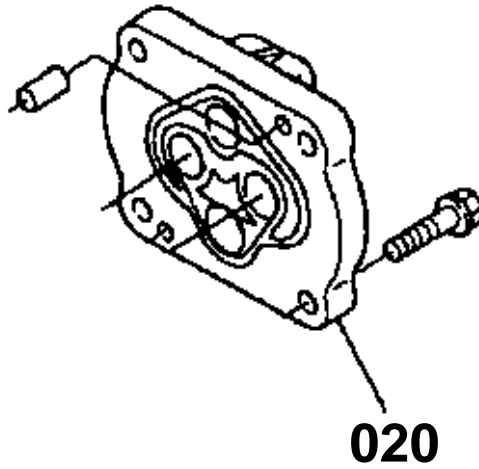


16216-002-1 1

020 6C040-3636-0

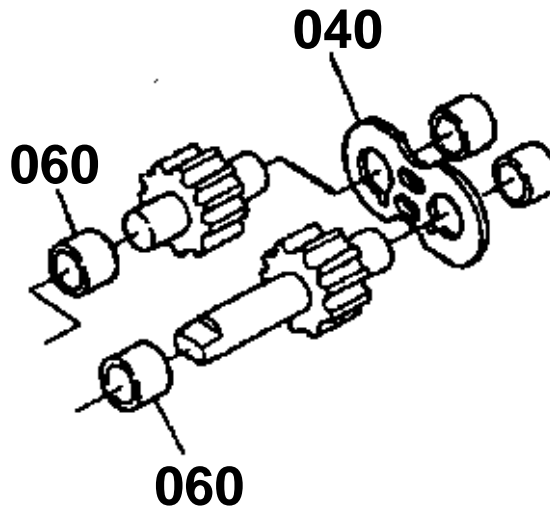
020 K3511-3675-0

020 K3511-3675-2



040 6C040-3635-0

060 6A100-3723-0



16224-805-10

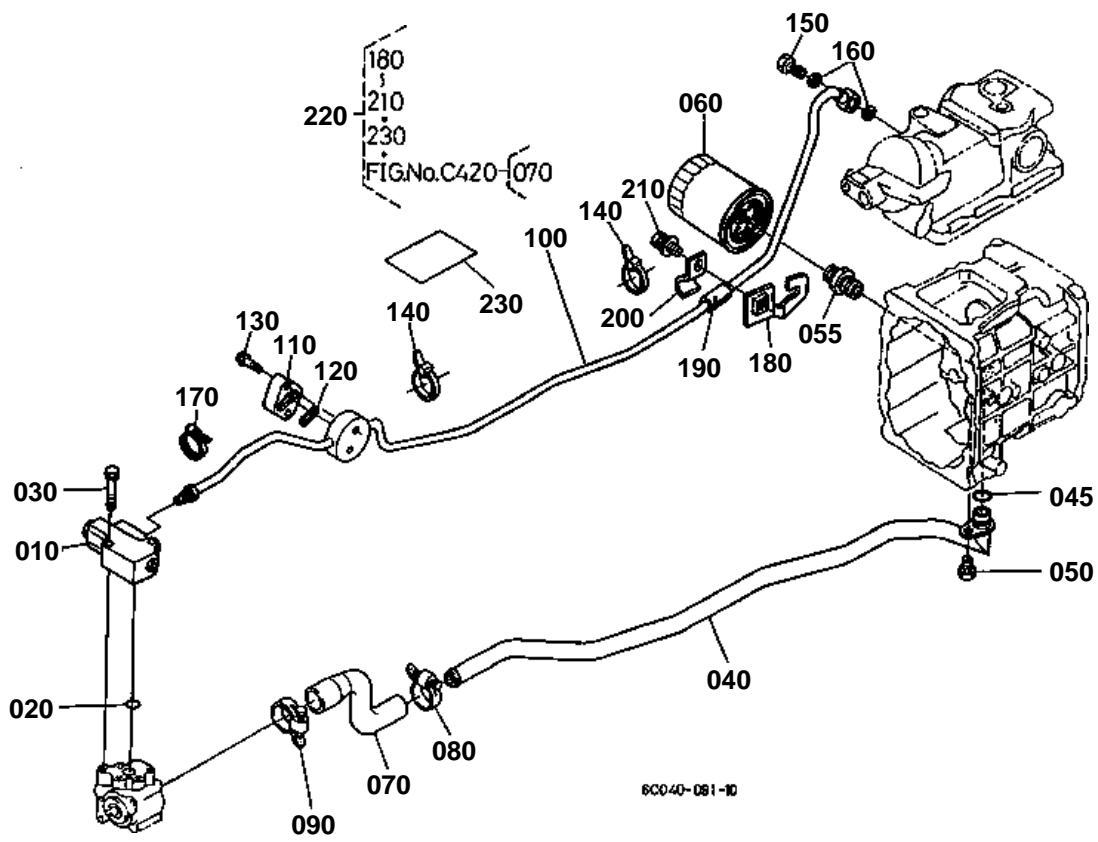


HYDRAULIC PUMP [COMPONENT PARTS]

↔ Interchangeable; ≠ not interchangeable; ← new for old; → old for new

| REF.No | Part No. | Description | Q'ty | S.No. | I/C | REMARKS | Weight (kgf) | Weight (lb) |
|--------|-------------|---------------------|------|----------|-----|---------|--------------|-------------|
| 010 | 6C040-36300 | ASSY PUMP HYDRAULIC | 1 | <=YX0866 | | | 0 | 0 |
| 010 | 6C040-36308 | ASSY PUMP HYDRAULIC | 1 | >=YY0001 | ← | | 1.28 | 2.816 |
| 020 | 6C040-36360 | COVER | 1 | <=741870 | | | 0.24 | 0.528 |
| 020 | 6C040-36360 | COVER | 1 | >=10001 | | | 0.24 | 0.528 |
| 020 | K3511-36750 | COVER | 1 | >=25929 | ↔ | | 0.24 | 0.528 |
| 020 | K3511-36752 | COVER | 1 | >=56403 | ≠ | | 0 | 0 |
| 020 | 6A100-37502 | COMP.COVER | 1 | >=82938 | ← | | 0.26 | 0.572 |
| 030 | 6C040-36390 | CMP.GEAR HYD.PUMP | 1 | <=741870 | | | 0.06 | 0.132 |
| 030 | 6C040-36390 | CMP.GEAR HYD.PUMP | 1 | >=10001 | | | 0.06 | 0.132 |
| 030 | 6C040-36392 | COMP.GEAR HYD.PUMP | 1 | >=82938 | ≠ | | 0.309 | 0.6798 |
| 040 | 6C040-36350 | PLATE SIDE | 1 | <=741870 | | | 0.023 | 0.0506 |
| 040 | 6C040-36350 | PLATE SIDE | 1 | >=10001 | | | 0.023 | 0.0506 |
| 040 | 6C040-36352 | PLATE SIDE | 1 | >=56403 | ≠ | | 0.023 | 0.0506 |
| 045 | 6A100-37230 | BUSH | 2 | >=82938 | | | 0.005 | 0.011 |
| 050 | 6C040-36340 | RING DOUBLE | 1 | <=741870 | | | 0.004 | 0.0088 |
| 050 | 6C040-36340 | RING DOUBLE | 1 | >=10001 | | | 0.004 | 0.0088 |
| 050 | 6C040-36344 | RING DOUBLE | 1 | >=56403 | ≠ | | 0.003 | 0.0066 |
| 060 | 6A100-37230 | BUSH | 4 | <=741870 | | | 0.005 | 0.011 |
| 060 | 6C040-36370 | BUSH | 4 | >=10001 | | | 0 | 0 |
| 060 | 6A100-37230 | BUSH | 4 | >=25929 | ↔ | | 0.005 | 0.011 |
| 060 | 6A100-37230 | BUSH | 2 | >=82938 | | | 0.005 | 0.011 |
| 070 | 31381-76390 | SEAL OIL | 1 | | | | 0.01 | 0.022 |
| 080 | 04611-00300 | CIR CLIP INTERNAL | 1 | | | | 0.004 | 0.0088 |
| 090 | 01754-51030 | BOLT FLANGE | 4 | | | | 0.03 | 0.066 |
| 100 | 05012-00814 | PIN STRAIGHT | 2 | | | | 0.006 | 0.0132 |

HYDRAULIC OIL LINE(SUCTION)



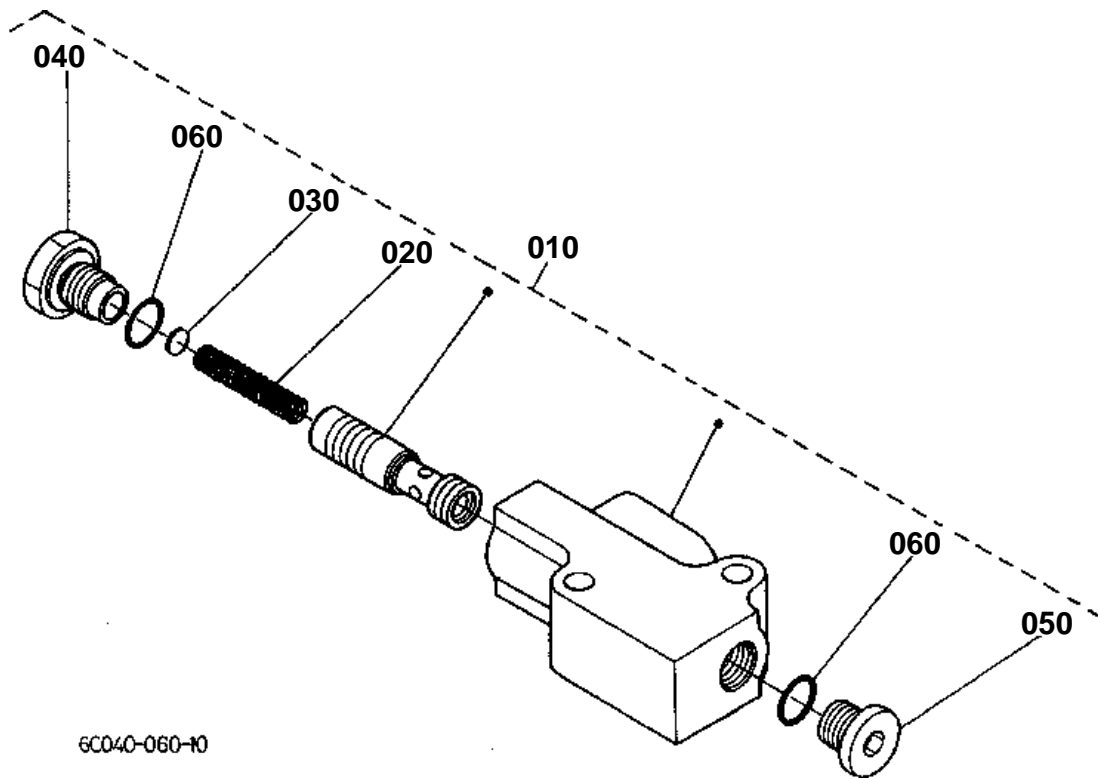


HYDRAULIC OIL LINE(SUCTION)

↔ Interchangeable; ≠ not interchangeable; ← new for old; → old for new

| REF.No | Part No. | Description | Q'ty | S.No. | I/C | REMARKS | Weight (kgf) | Weight (lb) |
|--------|-------------|----------------------|------|-------|-----|---------|--------------|-------------|
| 010 | 6C040-36100 | ASSY VALVE | 1 | | | | 0.95 | 2.09 |
| 020 | 04816-00160 | O RING | 1 | | | | 0.003 | 0.0066 |
| 030 | 01123-50845 | BOLT | 2 | | | | 0.02 | 0.044 |
| 040 | 6C040-39114 | PIPE SUCTION | 1 | | | | 0.62 | 1.364 |
| 045 | 04816-00200 | O RING | 1 | | | | 0.003 | 0.0066 |
| 050 | 01123-50818 | BOLT | 1 | | | | 0.012 | 0.0264 |
| 055 | 38240-37780 | JOINT SCREW | 1 | | | | 0.03 | 0.066 |
| 060 | 67955-37710 | CARTRIDGE OIL FILTER | 1 | | | | 0.39 | 0.858 |
| 070 | 6C040-39150 | HOSE INLET | 1 | | | | 0.12 | 0.264 |
| 080 | 67980-58640 | CLAMP HOSE | 1 | | | | 0.02 | 0.044 |
| 090 | 67955-36230 | CLAMP | 1 | | | | 0.023 | 0.0506 |
| 100 | 6C040-39216 | PIPE DELIVERY | 1 | | | | 0.64 | 1.408 |
| 110 | 6C040-36620 | CAP | 1 | | | | 0.022 | 0.0484 |
| 120 | 37410-36630 | O RING | 1 | | | | 0.001 | 0.0022 |
| 130 | 01123-50830 | BOLT | 2 | | | | 0.015 | 0.033 |
| 140 | 67955-36230 | CLAMP | 2 | | | | 0.023 | 0.0506 |
| 150 | 6C040-39290 | BOLT JOINT | 1 | | | | 0.045 | 0.099 |
| 160 | 04714-00200 | GASKET | 2 | | | | 0.002 | 0.0044 |
| 170 | 67980-36250 | CLAMP | 1 | | | | 0.021 | 0.0462 |
| 180 | 6C090-39260 | BRACKET | 1 | | | | 0.06 | 0.132 |
| 190 | 31351-45270 | PIPE RUBBER | 1 | | | | 0.005 | 0.011 |
| 200 | 6C090-39240 | CLAMP | 1 | | | | 0.021 | 0.0462 |
| 210 | 01025-50616 | BOLT | 1 | | | | 0.005 | 0.011 |
| 220 | 6C090-98600 | KIT CLAMP PIPE | 1 | | | OPTION | 0.1 | 0.22 |
| 230 | 6C090-98610 | MANUAL CONSTRUCTION | 1 | | | OPTION | 0.001 | 0.0022 |

FLOW DIVIDER VALVE [COMPONENT PARTS]



6C040-060-10

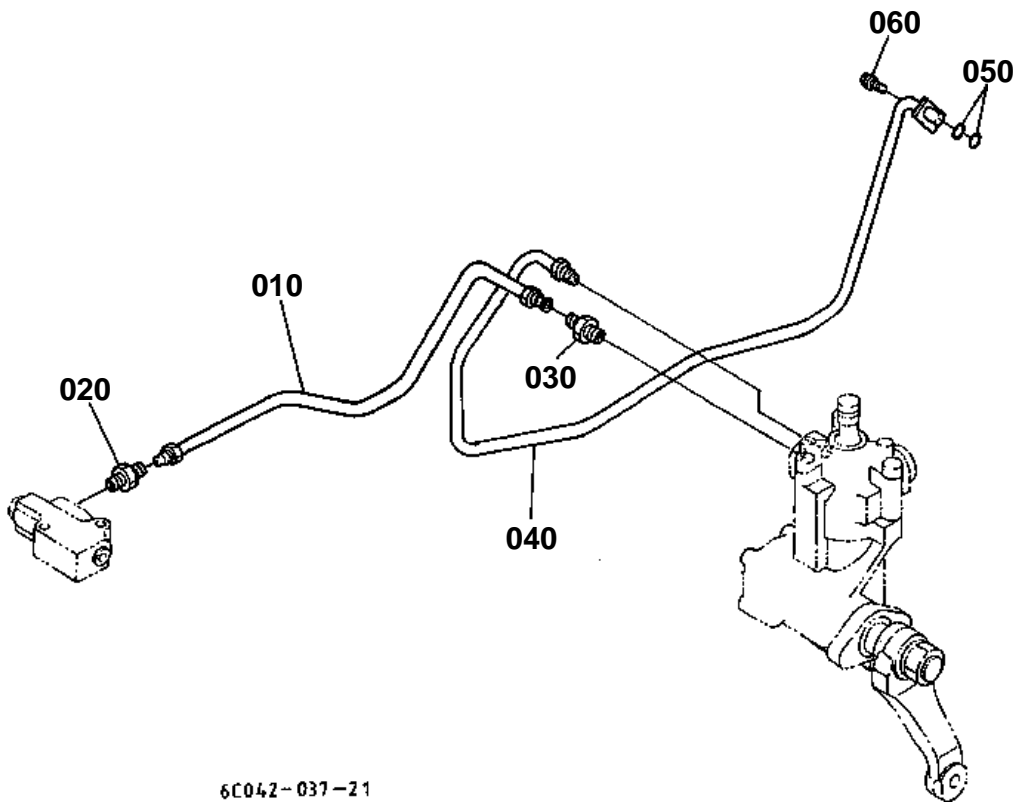


FLOW DIVIDER VALVE [COMPONENT PARTS]

↔ Interchangeable; ≠ not interchangeable; ← new for old; → old for new

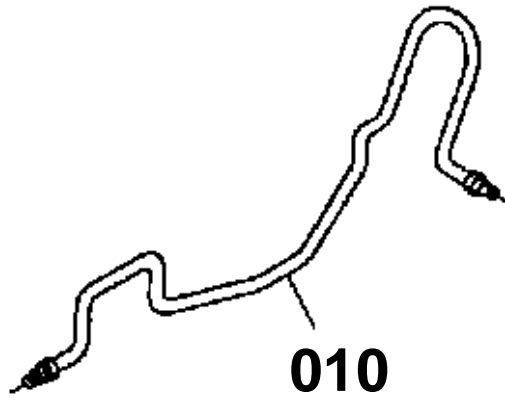
| REF.No | Part No. | Description | Q'ty | S.No. | I/C | REMARKS | Weight (kgf) | Weight (lb) |
|--------|-------------|-------------|------|-------|-----|---------|--------------|-------------|
| 010 | 6C040-36100 | ASSY VALVE | 1 | | | | 0.95 | 2.09 |
| 020 | 6C040-36140 | SPRING | 1 | | | | 0.005 | 0.011 |
| 030 | 6C040-36150 | SHIM | 1 | | | | 0.001 | 0.0022 |
| 040 | 6C040-36160 | PLUG | 1 | | | | 0.035 | 0.077 |
| 050 | 6C040-36170 | PLUG | 1 | | | | 0.022 | 0.0484 |
| 060 | 04817-00140 | O RING | 2 | | | | 0.001 | 0.0022 |

HYDRAULIC OIL LINE(STEERING)

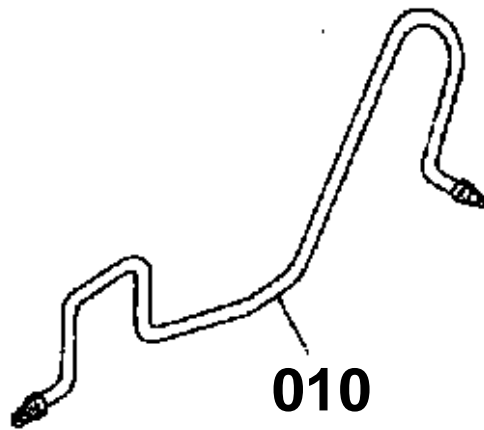


6C042-037-21

010 6C040-3922-2



010 6C042-3922-0



6C040-827-10

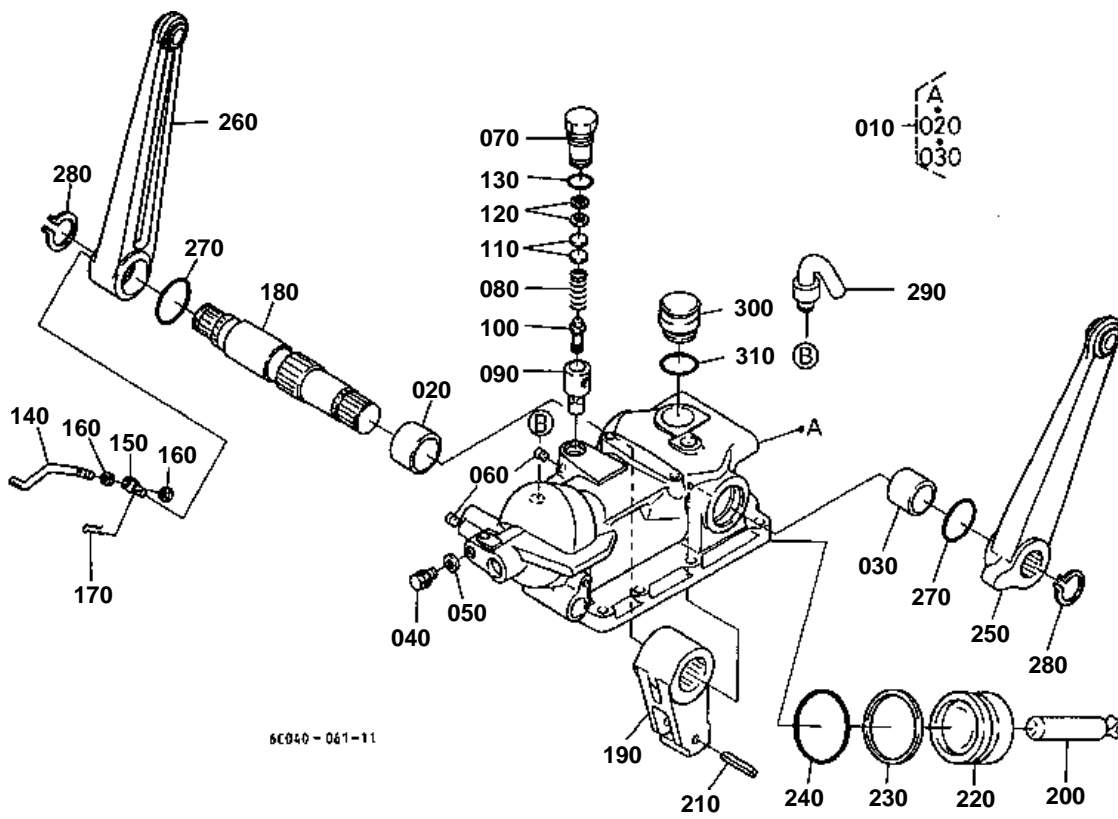


HYDRAULIC OIL LINE(STEERING)

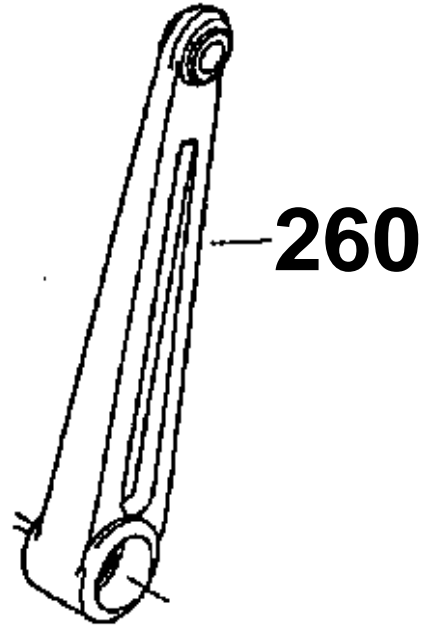
↔ Interchangeable; ≠ not interchangeable; ← new for old; → old for new

| REF.No | Part No. | Description | Q'ty | S.No. | I/C | REMARKS | Weight (kgf) | Weight (lb) |
|--------|-------------|-----------------|------|-------|-----|---------|--------------|-------------|
| 010 | 6C042-39222 | PIPE DELIVERY | 1 | | | | 0.18 | 0.396 |
| 020 | 6C042-39402 | ASSY JOINT PIPE | 1 | | | | 0.035 | 0.077 |
| 030 | 6C042-39430 | JOINT PIPE | 1 | | | | 0.04 | 0.088 |
| 040 | 6C040-39313 | PIPE RETURN | 1 | | | | 0.27 | 0.594 |
| 050 | 04816-00100 | O RING | 2 | | | | 0.001 | 0.0022 |
| 060 | 01123-60816 | BOLT | 1 | | | | 0.01 | 0.022 |

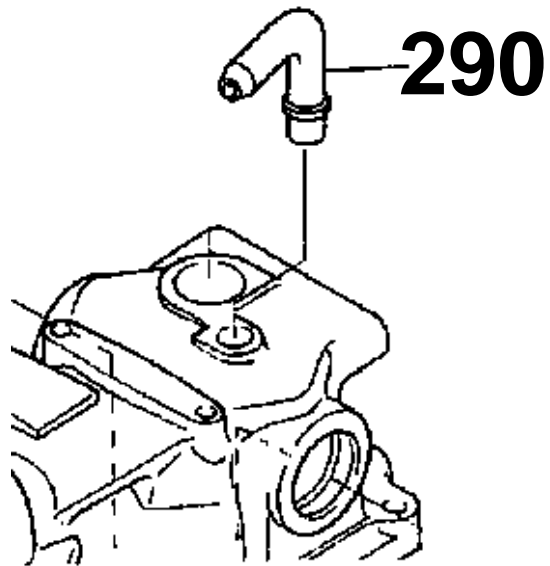
HYDRAULIC CYLINDER CASE



260 6C040-3652-0



290 6C040-3607-0



6C040-813-10

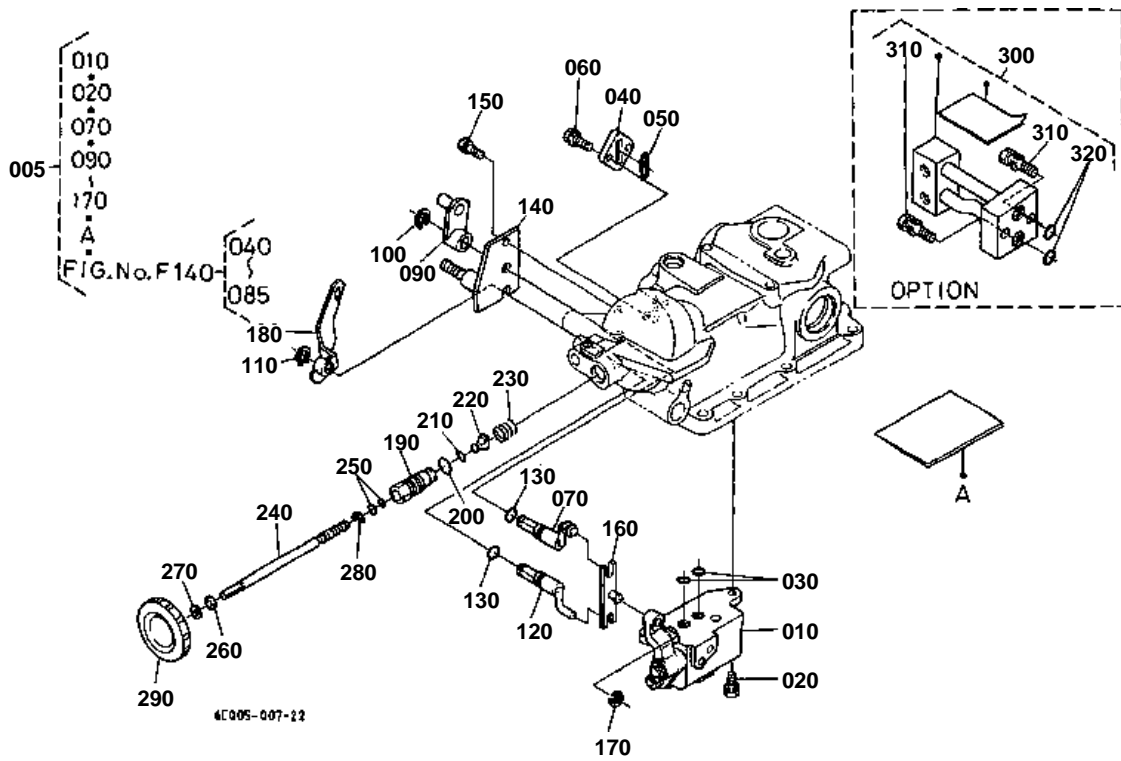


HYDRAULIC CYLINDER CASE

↔ Interchangeable; ≠ not interchangeable; ← new for old; → old for new

| REF.No | Part No. | Description | Q'ty | S.No. | I/C | REMARKS | Weight (kgf) | Weight (lb) |
|--------|-------------|--------------------|------|-------|-----|---------|--------------|-------------|
| 010 | 6C040-36036 | ASSY CASE CYLINDER | 1 | | | | 11.2 | 24.64 |
| 020 | 6C040-36480 | BUSH | 1 | | | | 0.02 | 0.044 |
| 030 | 6C040-36490 | BUSH | 1 | | | | 0.05 | 0.11 |
| 040 | 37150-36730 | PLUG | 1 | | | | 0.03 | 0.066 |
| 050 | 37150-36720 | GASKET | 1 | | | | 0.01 | 0.022 |
| 060 | 32701-36150 | PLUG | 2 | | | | 0.005 | 0.011 |
| 070 | 31351-37910 | PLUG | 1 | | | | 0.06 | 0.132 |
| 080 | 31351-37920 | SPRING RELIEF | 1 | | | | 0.02 | 0.044 |
| 090 | 31351-37930 | SEAT RELIEF VALVE | 1 | | | | 0.02 | 0.044 |
| 100 | 31351-37940 | POPPET | 1 | | | | 0.005 | 0.011 |
| 110 | 31351-37950 | SHIM | 5 | | | 0.40mm | 0.001 | 0.0022 |
| 110 | 31351-37960 | SHIM | 2 | | | 0.20mm | 0.001 | 0.0022 |
| 110 | 31351-37970 | SHIM | 2 | | | 0.10mm | 0.001 | 0.0022 |
| 120 | 04013-60050 | WASHER PLAIN | 2 | | | | 0.001 | 0.0022 |
| 130 | 04811-10160 | O RING | 1 | | | | 0.001 | 0.0022 |
| 140 | 6C040-36230 | ROD FEED BACK | 1 | | | | 0.045 | 0.099 |
| 150 | 6C040-36220 | PIN FEED BACK | 1 | | | | 0.024 | 0.0528 |
| 160 | 02112-50080 | NUT | 2 | | | | 0.003 | 0.0066 |
| 170 | 05525-61000 | PIN SNAP | 1 | | | | 0.002 | 0.0044 |
| 180 | 6C040-36470 | SHAFT HYD.ARM | 1 | | | | 1.66 | 3.652 |
| 190 | 6C040-36450 | ARM HYDRAULIC | 1 | | | | 0.99 | 2.178 |
| 200 | 6C040-36430 | ROD HYD.PISTON | 1 | | | | 0.36 | 0.792 |
| 210 | 05411-00640 | PIN SPRING | 1 | | | | 0.006 | 0.0132 |
| 220 | 6C040-36410 | PISTON HYD. | 1 | | | | 0.78 | 1.716 |
| 230 | 67111-36720 | RING BACK UP | 1 | | | | 0.005 | 0.011 |
| 240 | 04811-00600 | O RING | 1 | | | | 0.006 | 0.0132 |
| 250 | 6C040-36510 | ARM LIFT LH | 1 | | | | 1.88 | 4.136 |
| 260 | 6C040-36524 | ARM LIFT RH | 1 | | | | 1.86 | 4.092 |
| 270 | 6C040-36550 | O RING | 2 | | | | 0.003 | 0.0066 |
| 280 | 04612-00320 | CIR CLIP EXTERNAL | 2 | | | | 0.004 | 0.0088 |
| 290 | 6A100-36410 | BREATHER | 1 | | | | 0.006 | 0.0132 |
| 300 | 6C040-36110 | PLUG OIL FILLER | 1 | | | | 0.02 | 0.044 |
| 310 | 04816-00240 | O RING | 1 | | | | 0.003 | 0.0066 |

CONTROL VALVE

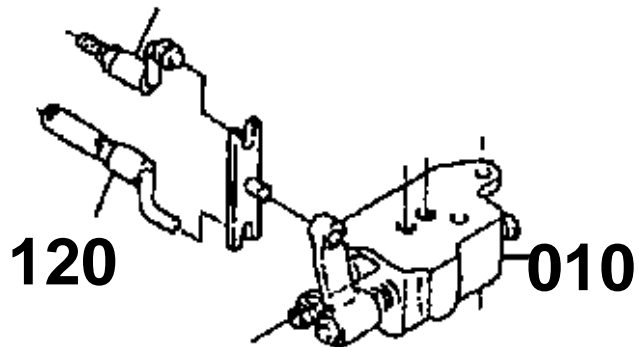


010 6C040-3620-0

070 6C040-3693-0

120 6C040-3697-0

070



080 6C040-3688-0

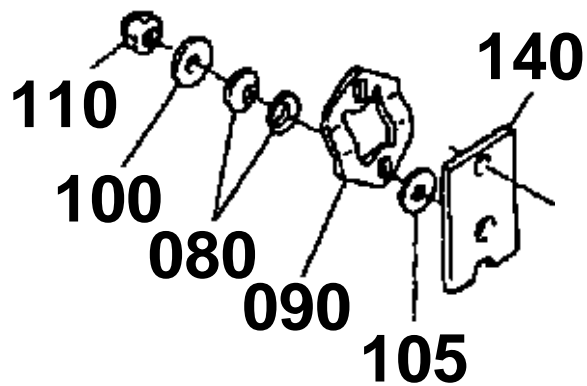
090 6C040-3699-0

100 04015-50080

105 6C040-3692-0

110 67950-5914-0

140 6C040-3696-0



6C040-814-10

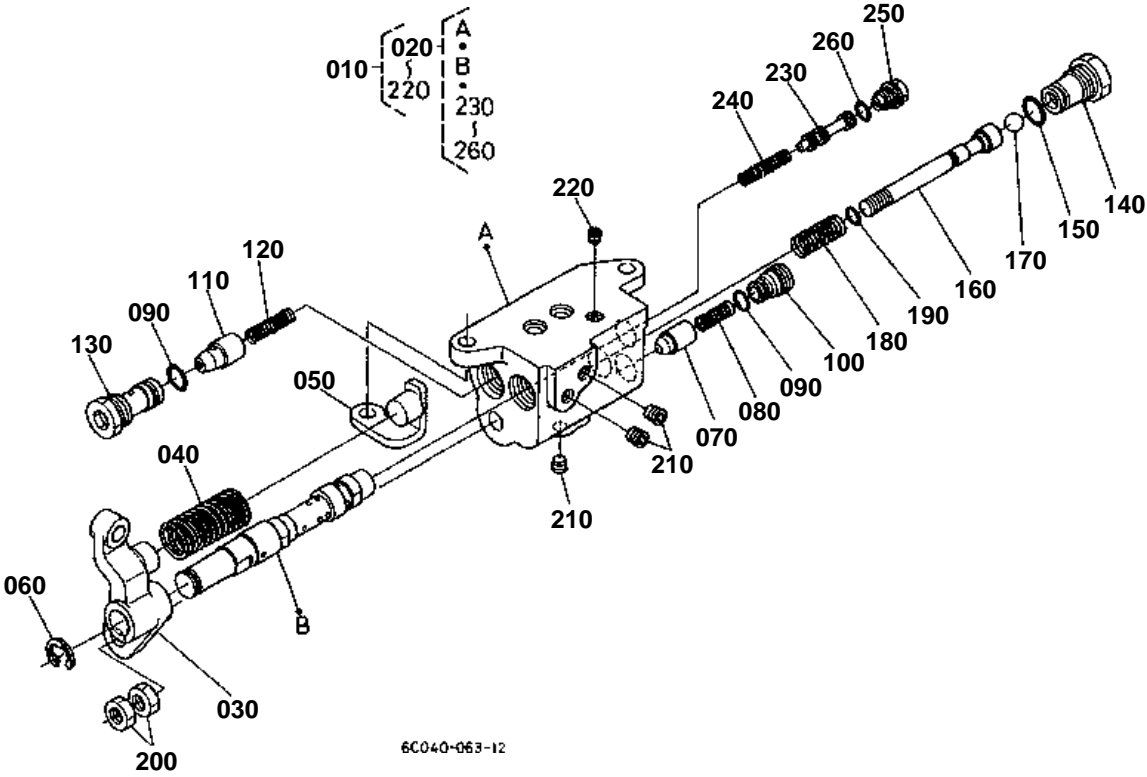


CONTROL VALVE

↔ Interchangeable; ≠ not interchangeable; ← new for old; → old for new

| REF.No | Part No. | Description | Q'ty | S.No. | I/C | REMARKS | Weight (kgf) | Weight (lb) |
|--------|-------------|----------------------|------|-------|-----|---------|--------------|-------------|
| 005 | 6C040-93300 | KIT VALVE CONTROL | 1 | | | | 2.4 | 5.28 |
| 010 | 6C040-36204 | ASSY VALVE CONTROL | 1 | | | | 1.31 | 2.882 |
| 020 | 01123-50822 | BOLT | 2 | | | | 0.012 | 0.0264 |
| 030 | 04817-00100 | O RING | 2 | | | | 0.001 | 0.0022 |
| 040 | 6C040-36620 | CAP | 1 | | | | 0.022 | 0.0484 |
| 050 | 37410-36630 | O RING | 1 | | | | 0.001 | 0.0022 |
| 060 | 01754-50820 | BOLT FLANGE | 2 | | | | 0.015 | 0.033 |
| 070 | 6C040-36932 | SHAFT CONTROL LEVER | 1 | | | | 0.03 | 0.066 |
| 090 | 6C040-36993 | ARM CONTROL LEVER | 1 | | | | 0.05 | 0.11 |
| 100 | 04612-00100 | CIR CLIP EXTERNAL | 1 | | | | 0.001 | 0.0022 |
| 110 | 04612-00120 | CIR CLIP EXTERNAL | 1 | | | | 0.001 | 0.0022 |
| 120 | 6C040-36972 | SHAFT FEED BACK | 1 | | | | 0.06 | 0.132 |
| 130 | 04816-00110 | O RING | 2 | | | | 0.001 | 0.0022 |
| 140 | 6C040-36962 | PLATE | 1 | | | | 0.14 | 0.308 |
| 150 | 01123-60816 | BOLT | 1 | | | | 0.01 | 0.022 |
| 160 | 6C040-36940 | LINK | 1 | | | | 0.05 | 0.11 |
| 170 | 04613-50060 | CIR CLIP EXTERNAL | 1 | | | | 0.001 | 0.0022 |
| 180 | 6C040-36950 | ARM FEED BACK | 1 | | | | 0.092 | 0.2024 |
| 190 | 6C040-37210 | BODY | 1 | | | | 0.077 | 0.1694 |
| 200 | 04816-00180 | O RING | 1 | | | | 0.002 | 0.0044 |
| 210 | 04816-06120 | O RING | 1 | | | | 0.002 | 0.0044 |
| 220 | 6C040-37250 | POPPET | 1 | | | | 0.006 | 0.0132 |
| 230 | 6C040-37430 | SPRING | 1 | | | | 0.002 | 0.0044 |
| 240 | 6C040-37220 | SHAFT HYD.ADJUST | 1 | | | | 0.11 | 0.242 |
| 250 | 04817-00080 | O RING | 2 | | | | 0.001 | 0.0022 |
| 260 | 6C040-37420 | COLLAR | 1 | | | | 0.001 | 0.0022 |
| 270 | 04611-00170 | CIR CLIP INTERNAL | 1 | | | | 0.001 | 0.0022 |
| 280 | 6C040-37410 | STOPPER | 1 | | | | 0.002 | 0.0044 |
| 290 | 37410-36643 | GRIP | 1 | | | | 0.03 | 0.066 |
| 300 | 6C040-95100 | KIT COVER HYD.OUTLET | 1 | | | OPTION | 0.455 | 1.001 |
| 310 | 01123-50830 | BOLT | 2 | | | OPTION | 0.015 | 0.033 |
| 320 | 04817-00070 | O RING | 2 | | | OPTION | 0.001 | 0.0022 |

CONTROL VALVE [COMPONENT PARTS]



6C040-063-12

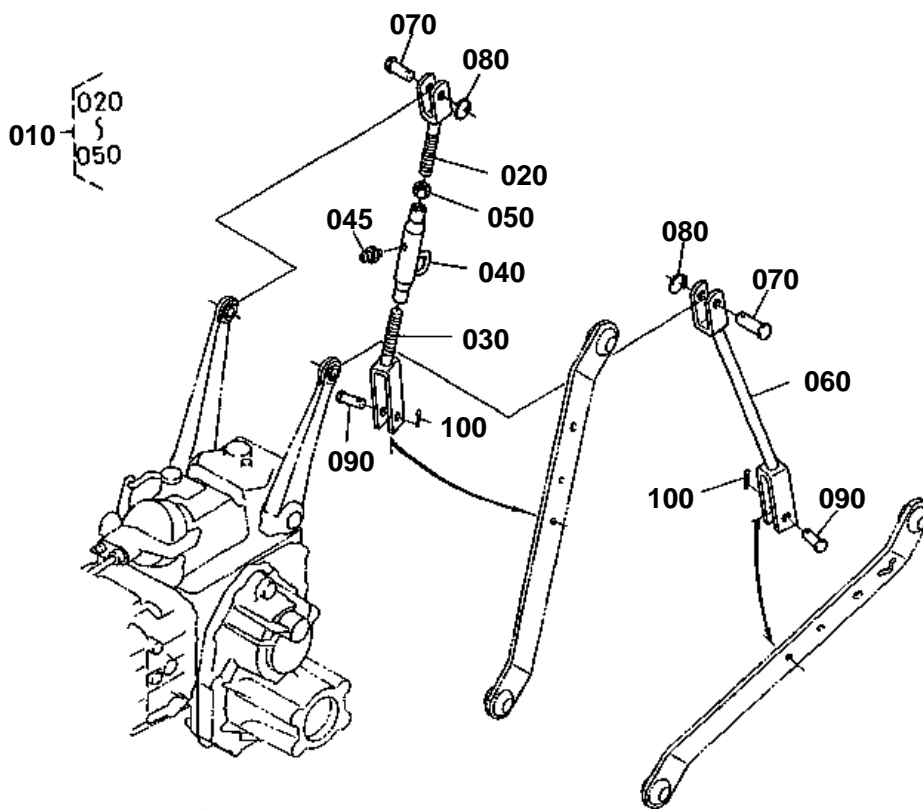


CONTROL VALVE [COMPONENT PARTS]

↔ Interchangeable; ≠ not interchangeable; ← new for old; → old for new

| REF.No | Part No. | Description | Q'ty | S.No. | I/C | REMARKS | Weight (kgf) | Weight (lb) |
|--------|-------------|--------------------|------|-------|-----|---------|--------------|-------------|
| 010 | 6C040-36204 | ASSY VALVE CONTROL | 1 | | | | 1.31 | 2.882 |
| 020 | 6C040-36604 | ASSY BODY-SPOOL | 1 | | | | 0.96 | 2.112 |
| 030 | 6C040-36652 | LEVER | 1 | | | | 0.039 | 0.0858 |
| 040 | 6C040-36660 | SPRING RETURN | 1 | | | | 0.01 | 0.022 |
| 050 | 6C040-36270 | HOLDER SPRING | 1 | | | | 0.025 | 0.055 |
| 060 | 04613-50090 | CIR CLIP EXTERNAL | 2 | | | | 0.001 | 0.0022 |
| 070 | 6C040-36670 | POPPET | 1 | | | | 0.011 | 0.0242 |
| 080 | 6C040-36680 | SPRING | 1 | | | | 0.001 | 0.0022 |
| 090 | 04817-00090 | O RING | 2 | | | | 0.001 | 0.0022 |
| 100 | 6A100-36660 | PLUG | 1 | | | | 0.015 | 0.033 |
| 110 | 48100-38320 | POPPET | 1 | | | | 0.014 | 0.0308 |
| 120 | 48100-38330 | SPRING | 1 | | | | 0.005 | 0.011 |
| 130 | 6A100-36670 | PLUG | 1 | | | | 0.027 | 0.0594 |
| 140 | 6A100-36680 | PLUG | 1 | | | | 0.042 | 0.0924 |
| 150 | 04817-06100 | O RING | 1 | | | | 0.001 | 0.0022 |
| 160 | 6A100-36690 | POPPET | 1 | | | | 0.035 | 0.077 |
| 170 | 07715-00803 | BALL | 1 | | | | 0.004 | 0.0088 |
| 180 | 6A100-36710 | SPRING | 1 | | | | 0.01 | 0.022 |
| 190 | 04816-00050 | O RING | 1 | | | | 0.001 | 0.0022 |
| 200 | 02052-50080 | NUT | 2 | | | | 0.004 | 0.0088 |
| 210 | 32701-36150 | PLUG | 2 | | | | 0.005 | 0.011 |
| 220 | 32420-67380 | PLUG | 1 | | | | 0.005 | 0.011 |
| 230 | 6A100-36720 | SPRING PLUNGER | 1 | | | | 0.005 | 0.011 |
| 240 | 6A100-36730 | SPRING | 1 | | | | 0.02 | 0.044 |
| 250 | 6A100-36740 | PLUG | 1 | | | | 0.006 | 0.0132 |
| 260 | 04816-00060 | O RING | 1 | | | | 0.001 | 0.0022 |

LIFT ROD



6C042-043-21

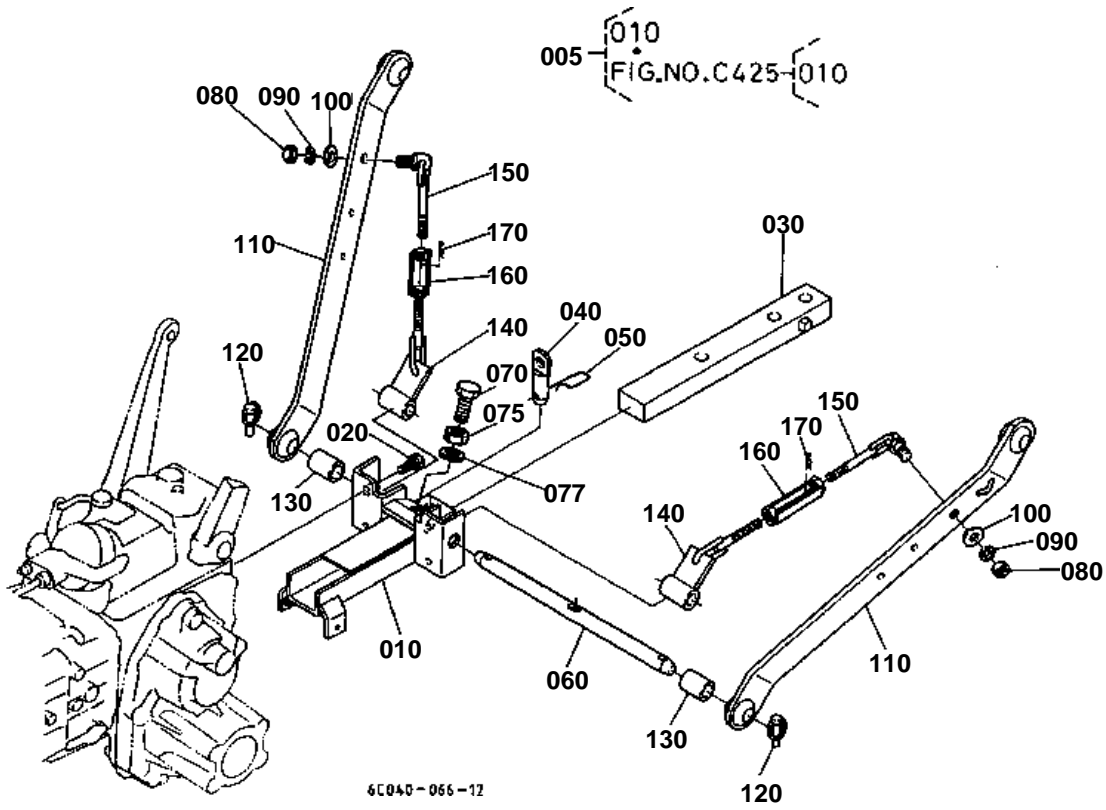


LIFT ROD

↔ Interchangeable; ≠ not interchangeable; ← new for old; → old for new

| REF.No | Part No. | Description | Q'ty | S.No. | I/C | REMARKS | Weight (kgf) | Weight (lb) |
|--------|-------------|-------------------|------|-------|-----|---------|--------------|-------------|
| 010 | 6C040-65202 | ASSY ROD LIFT RH | 1 | | | | 1.32 | 2.904 |
| 020 | 6C040-65230 | ROD LIFT UPPER RH | 1 | | | | 0.36 | 0.792 |
| 030 | 6C040-65240 | ROD LIFT LOWER RH | 1 | | | | 0.5 | 1.1 |
| 040 | 6C070-65250 | ROD LIFT MIDDLE | 1 | | | | 0.45 | 0.99 |
| 045 | 06613-10675 | NIPPLE GREASE | 1 | | | | 0.003 | 0.0066 |
| 050 | 02172-50180 | NUT | 1 | | | | 0.021 | 0.0462 |
| 060 | 6C040-65270 | ROD LIFT LH | 1 | | | | 1.07 | 2.354 |
| 070 | 05122-51645 | PIN JOINT | 2 | | | | 0.075 | 0.165 |
| 080 | 67156-34340 | RING SNAP | 2 | | | | 0.01 | 0.022 |
| 090 | 05122-51240 | PIN JOINT | 2 | | | | 0.039 | 0.0858 |
| 100 | 05511-50425 | PIN SPLIT | 2 | | | | 0.003 | 0.0066 |

LOWER LINK

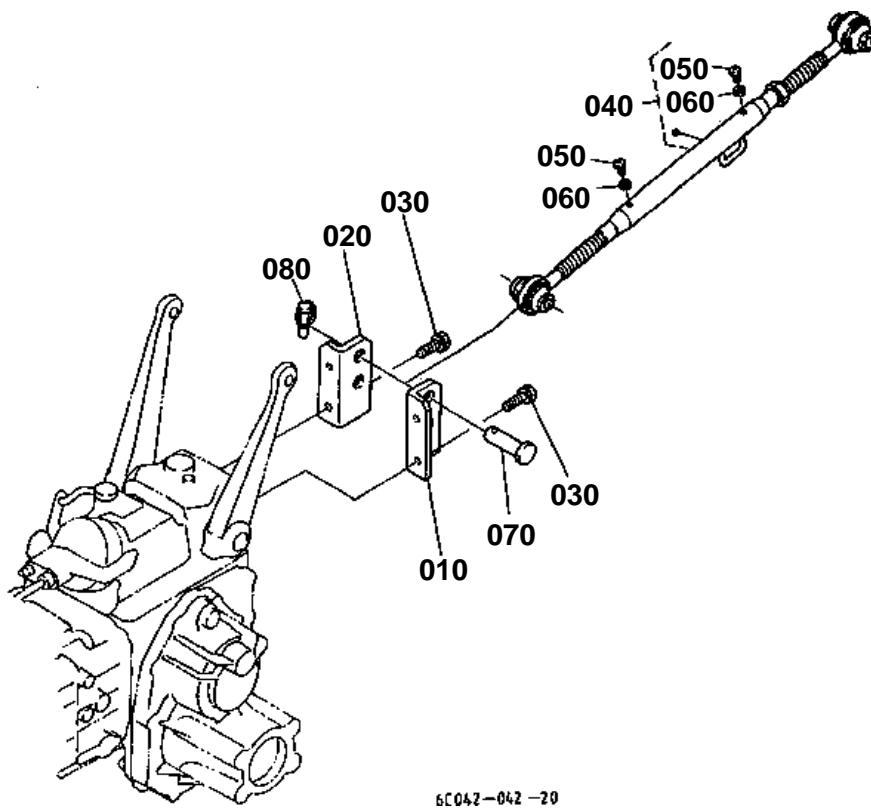


**LOWER LINK**

↔ Interchangeable; ≠ not interchangeable; ← new for old; → old for new

| REF.No | Part No. | Description | Q'ty | S.No. | I/C | REMARKS | Weight (kgf) | Weight (lb) |
|--------|-------------|---------------------|------|-------|-----|---------|--------------|-------------|
| 005 | 6C040-96980 | SET CASE DIFF.GEAR | 1 | | | | 11.34 | 24.948 |
| 010 | 6C040-65604 | COMP.HITCH | 1 | | | | 3.35 | 7.37 |
| 020 | 01123-51230 | BOLT | 4 | | | | 0.04 | 0.088 |
| 030 | 6C040-67110 | DRAWBAR | 1 | | | | 4.56 | 10.032 |
| 040 | 6C040-65610 | PIN HITCH | 1 | | | | 0.18 | 0.396 |
| 050 | 31150-29730 | PIN SPRING | 1 | | | | 0.044 | 0.0968 |
| 060 | 6C040-66010 | PIN LOWER LINK | 1 | | | | 1.14 | 2.508 |
| 070 | 6C040-65120 | BOLT | 1 | | | | 0.02 | 0.044 |
| 075 | 02118-50100 | NUT | 1 | | | | 0.005 | 0.011 |
| 077 | 04512-60100 | WASHER SPRING | 1 | | | | 0.002 | 0.0044 |
| 080 | 02174-50160 | NUT | 2 | | | | 0.022 | 0.0484 |
| 090 | 04512-60160 | WASHER SPRING | 2 | | | | 0.01 | 0.022 |
| 100 | 04015-60160 | WASHER PLAIN | 2 | | | | 0.058 | 0.1276 |
| 110 | 6C040-65210 | COMP.LINK LOWER | 2 | | | | 5.28 | 11.616 |
| 120 | 34150-37640 | PIN SET | 4 | | | | 0.06 | 0.132 |
| 130 | 66204-65350 | SPACER | 2 | | | | 0.12 | 0.264 |
| 140 | 6C040-65294 | BRACKET CHECK CHAIN | 1 | | | | 0.54 | 1.188 |
| 150 | 6C040-65323 | BOLT TURNBUCKLE | 1 | | | | 0.35 | 0.77 |
| 160 | 6C040-65390 | TURNBUCKLE | 1 | | | | 0.2 | 0.44 |
| 170 | 05515-61200 | PIN SNAP | 1 | | | | 0.005 | 0.011 |

TOP LINK

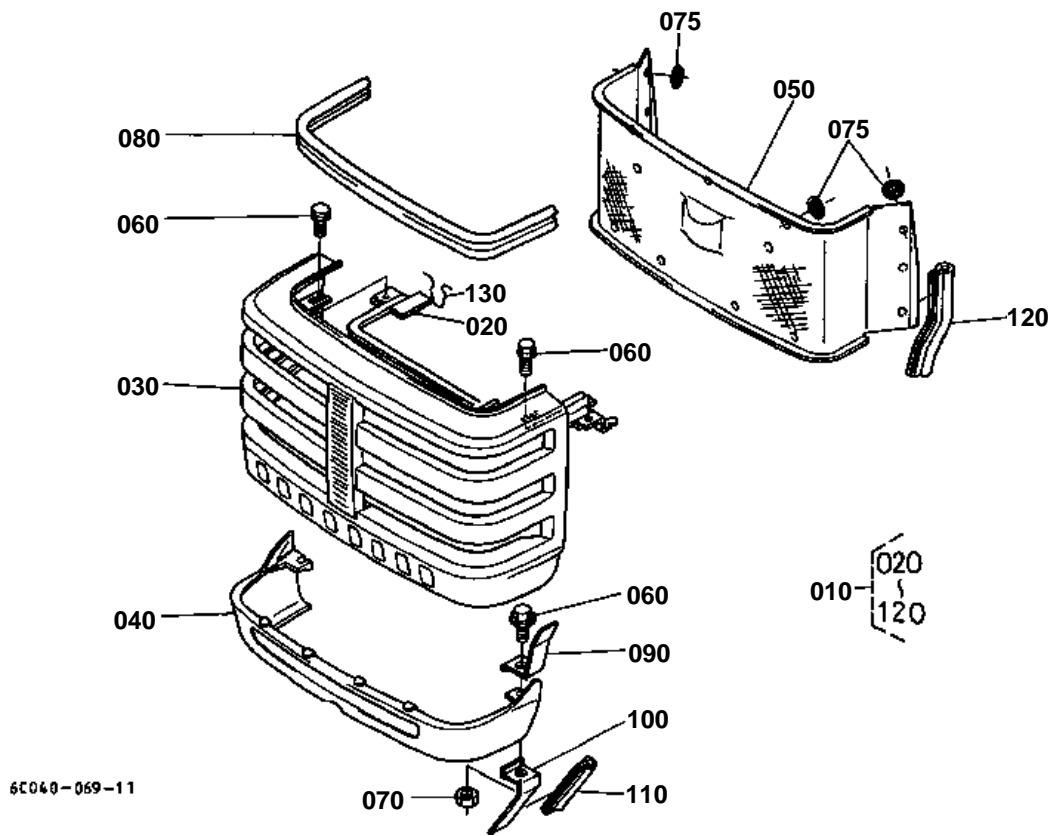




↔ Interchangeable; ≠ not interchangeable; ← new for old; → old for new

| REF.No | Part No. | Description | Q'ty | S.No. | I/C | REMARKS | (kgf) | Weight |
|--------|-------------|-------------|------|-------|-----|---------|-------|--------|
| 010 | 6C040-65160 | | | | | | 0.65 | 4.752 |
| | 01123-51230 | | | | | | 0.65 | |
| | 6C040-65400 | | | | | | 0.04 | |
| | 6C040-65400 | | | | ↔ | | 2.16 | |
| 050 | 04512-60060 | | | | | | 0.002 | |
| | 31150-71360 | | | | | | 0.001 | |
| | 34150-37640 | | | | | | 0.166 | |
| | | | | | | | 0.06 | |
| | | | | | | | | |
| | | | | | | | | |

FRONT GRILLE



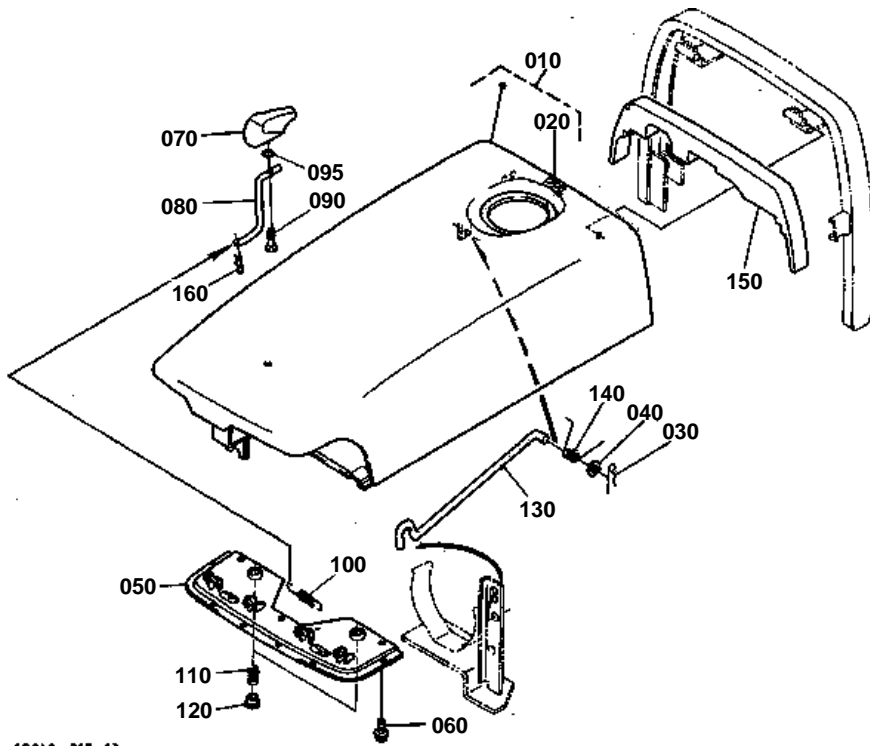


FRONT GRILLE

↔ Interchangeable; ≠ not interchangeable; ← new for old; → old for new

| | | | | | REMARKS | Weight (kgf) | Weight (lb) |
|-----|-------------|--------------------|----|--|---------|-----------------|----------------|
| 010 | 6C040-54500 | COMP.COVER FRONT | 1 | | | 2.4 | 5.28 |
| 020 | 6C040-54533 | COMP.PLATE | 1 | | | 0.38 | 0.836 |
| 030 | 6C040-54410 | COVER FRONT | 1 | | | 1.34 | 2.948 |
| 040 | 6C040-54423 | COVER FRONT | 1 | | | 0.159 | 0.3498 |
| 050 | 6C040-54434 | NET | 1 | | | 0.25 | 0.55 |
| 060 | 01754-50820 | BOLT FLANGE | 4 | | | 0.015 | 0.033 |
| 070 | 02054-50080 | NUT | 2 | | | 0.005 | 0.011 |
| 075 | 6C040-54540 | NUT | 15 | | | 0.001 | 0.0022 |
| 080 | 6C040-54140 | TRIM | 1 | | | 0.073 | 0.1606 |
| 090 | 6C040-54910 | STAY | 2 | | | 0.012 | 0.0264 |
| 100 | 6C040-54920 | STAY | 2 | | | 0.014 | 0.0308 |
| 110 | 76611-53160 | TRIM SHUTTER PLATE | 2 | | | 0.02 | 0.044 |
| 120 | 67980-51510 | TRIM | 2 | | | 0.025 | 0.055 |
| 130 | 6C040-54364 | SPRING | 2 | | | 0.004 | 0.0088 |

HOOD(BONNET)



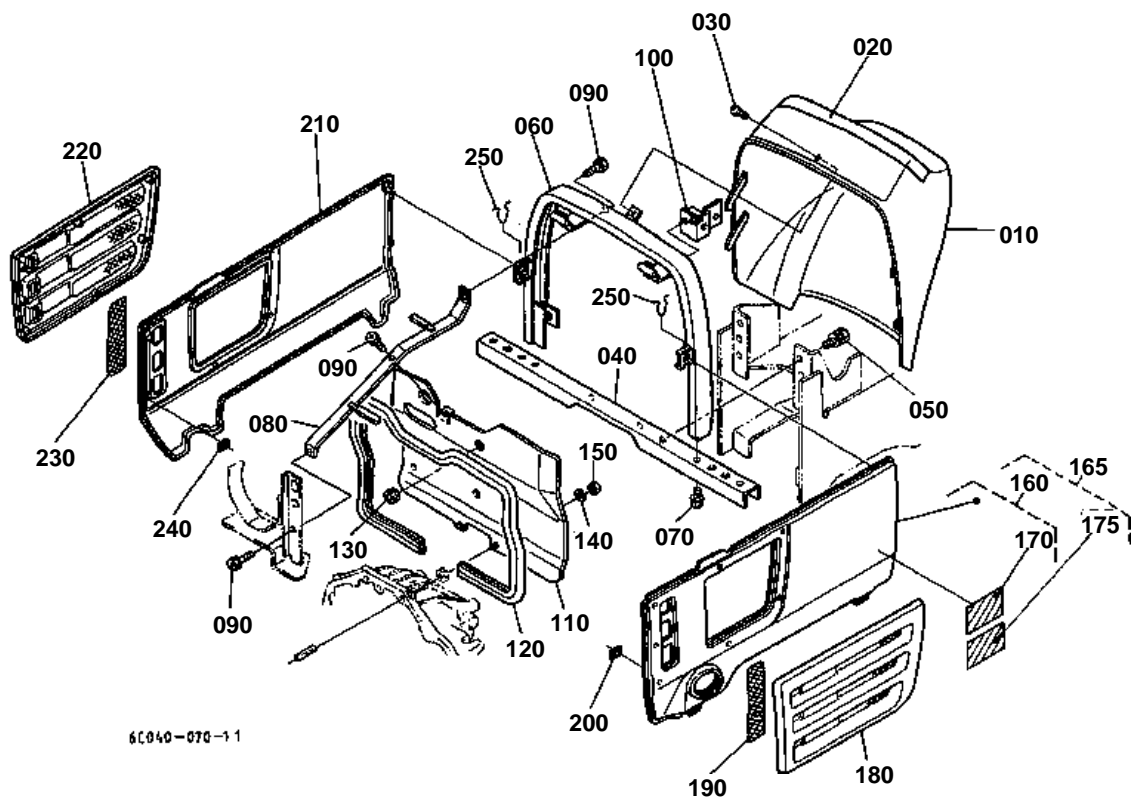
6C040-055-13

**HOOD(BONNET)**

↔ Interchangeable; ≠ not interchangeable; ← new for old; → old for new

| | | | | | | REMARKS | Weight (kgf) | Weight (lb) |
|-----|-------------|----------------------|---|--|--|---------|-----------------|----------------|
| 010 | 6C040-54000 | KIT BONNET | 1 | | | | 7.6 | 16.72 |
| 020 | 6C040-47412 | LABEL FILLER CAUTION | 1 | | | | 0.001 | 0.0022 |
| 030 | 05525-50800 | PIN SNAP | 1 | | | | 0.001 | 0.0022 |
| 040 | 04013-60080 | WASHER PLAIN | 1 | | | | 0.002 | 0.0044 |
| 050 | 6C040-54110 | COVER BONNET | 1 | | | | 0.52 | 1.144 |
| 060 | 01125-60816 | BOLT | 3 | | | | 0.01 | 0.022 |
| 070 | 6C040-54260 | HANDLE MASCOT | 1 | | | | 0.028 | 0.0616 |
| 080 | 6C090-54270 | LEVER HANDLE | 1 | | | | 0.09 | 0.198 |
| 090 | 03614-50416 | SCREW TAPPING | 1 | | | | 0.002 | 0.0044 |
| 095 | 04811-10080 | O RING | 1 | | | | 0.001 | 0.0022 |
| 100 | 6C040-54150 | SPRING | 1 | | | | 0.006 | 0.0132 |
| 110 | 6C040-54163 | SPRING | 2 | | | | 0.022 | 0.0484 |
| 120 | 41182-61150 | PLUG | 2 | | | | 0.003 | 0.0066 |
| 130 | 6C040-54250 | ROD BONNET | 1 | | | | 0.16 | 0.352 |
| 140 | 6C040-54510 | SPRING | 1 | | | | 0.002 | 0.0044 |
| 150 | 6C040-54460 | TAPE BONNET | 1 | | | | 0.006 | 0.0132 |
| 160 | 05525-50800 | PIN SNAP | 1 | | | | 0.001 | 0.0022 |

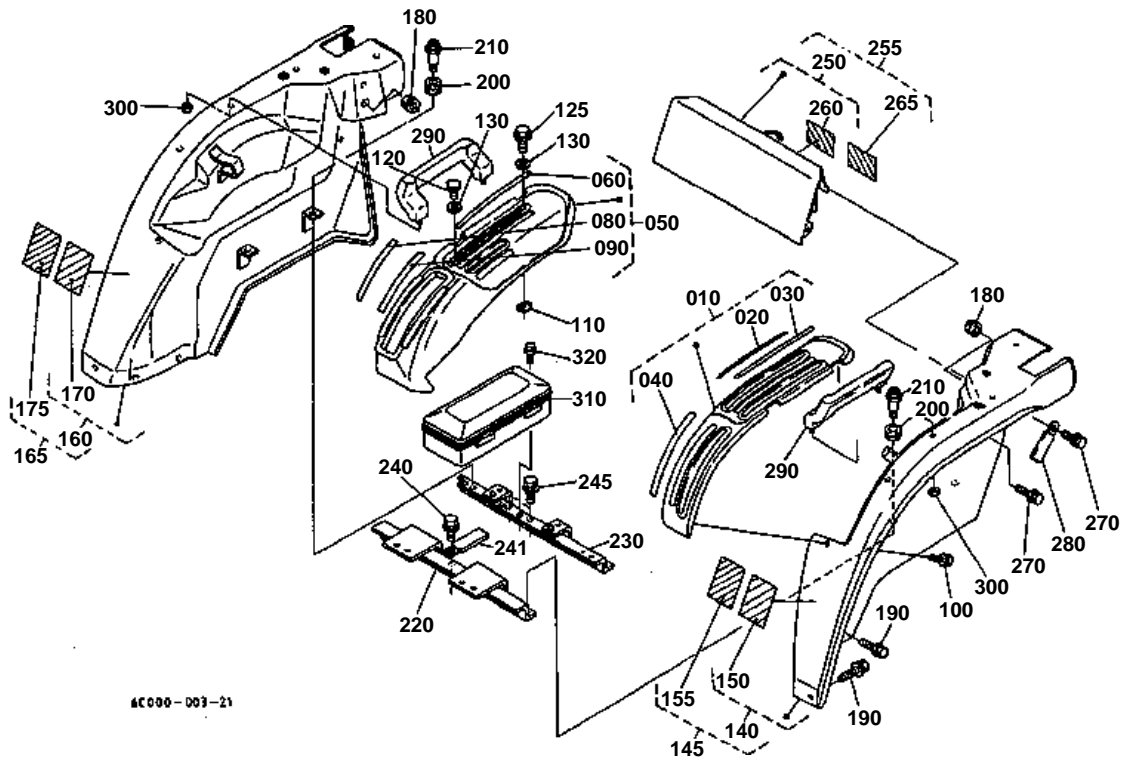
SIDE COVER



**SIDE COVER**

↔ Interchangeable; ≠ not interchangeable; ← new for old; → old for new

| REF.No | Part No. | Description | Q'ty | S.No. | I/C | REMARKS | Weight (kgf) | Weight (lb) |
|--------|-------------|----------------------|------|-------|-----|---------|--------------|-------------|
| 010 | 6C040-53514 | COVER PANEL | 1 | | | | 3 | 6.6 |
| 020 | 6C040-53522 | COVER FRAME | 1 | | | | 0.14 | 0.308 |
| 030 | 37410-61720 | SCREW | 1 | | | | 0.001 | 0.0022 |
| 040 | 6C040-54213 | PILLAR CENTER | 1 | | | | 1.4 | 3.08 |
| 050 | 01133-51022 | BOLT | 2 | | | | 0.025 | 0.055 |
| 060 | 6C040-54220 | PILLAR CENTER | 1 | | | | 2.1 | 4.62 |
| 070 | 6C040-54610 | BOLT | 2 | | | | 0.014 | 0.0308 |
| 080 | 6C040-54230 | STAY PILLAR | 1 | | | | 0.34 | 0.748 |
| 090 | 01023-50616 | BOLT | 3 | | | | 0.005 | 0.011 |
| 100 | 6C040-54283 | BRACKET | 1 | | | | 0.09 | 0.198 |
| 110 | 6C040-54550 | PLATE SHUTTER | 1 | | | | 1.24 | 2.728 |
| 120 | 6C040-54560 | TRIM | 1 | | | | 0.2 | 0.44 |
| 130 | 54721-38340 | GROMMET | 1 | | | | 0.003 | 0.0066 |
| 140 | 04512-60100 | WASHER SPRING | 2 | | | | 0.002 | 0.0044 |
| 150 | 02116-50100 | NUT | 2 | | | | 0.004 | 0.0088 |
| 160 | 6C040-54010 | KIT COVER SIDE LH(A) | 1 | | | | 2.17 | 4.774 |
| 165 | 6C040-54022 | KIT COVER SIDE LH(B) | 1 | | | | 0 | 0 |
| 170 | TA041-49650 | LABEL START CAUTION | 1 | | | ENGLISH | 0.004 | 0.0088 |
| 175 | TA040-49650 | LABEL START CAUTION | 1 | | | FRENCH | 0.004 | 0.0088 |
| 180 | 6C040-54333 | COVER | 1 | | | | 0.24 | 0.528 |
| 190 | 6C040-54390 | NET | 1 | | | | 0.01 | 0.022 |
| 200 | 55611-44190 | NUT | 7 | | | | 0.004 | 0.0088 |
| 210 | 6C040-54355 | COVER SIDE RH | 1 | | | | 1.48 | 3.256 |
| 220 | 6C040-54383 | COVER | 1 | | | | 0.24 | 0.528 |
| 230 | 6C040-54390 | NET | 1 | | | | 0.01 | 0.022 |
| 240 | 55611-44190 | NUT | 7 | | | | 0.004 | 0.0088 |
| 250 | 6C040-54364 | SPRING | 4 | | | | 0.004 | 0.0088 |



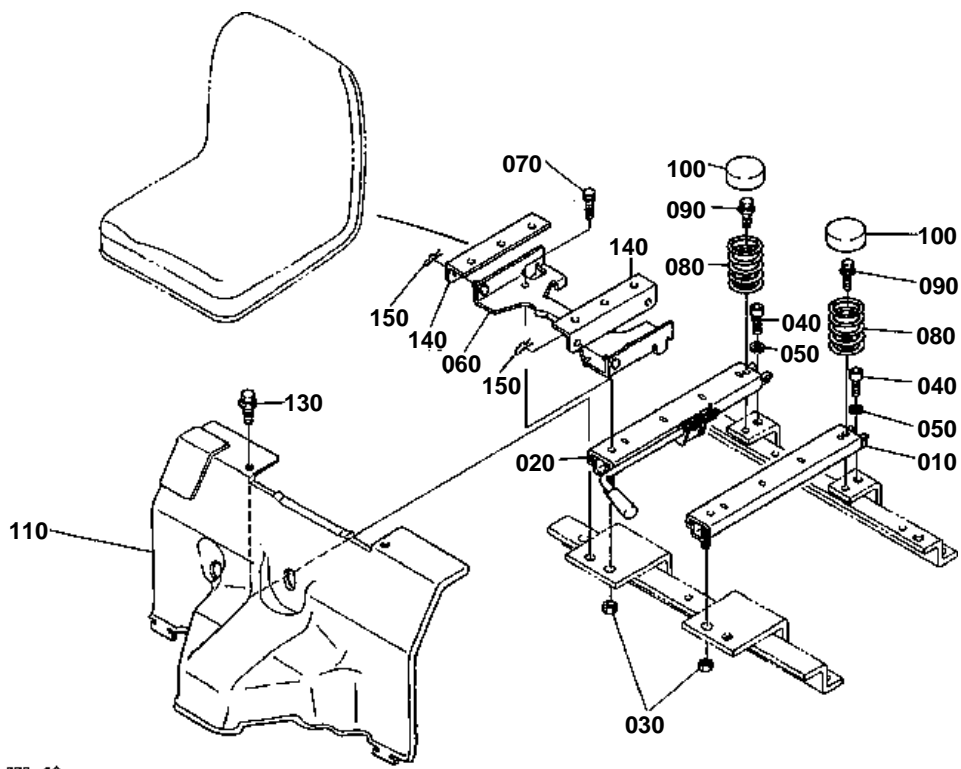
4C090-003-21

**FENDER**

↔ Interchangeable; ≠ not interchangeable; ← new for old; → old for new

| REF.No | Part No. | Description | Q'ty | S.No. | I/C | REMARKS | Weight (kgf) | Weight (lb) |
|--------|-------------|---------------------|------|-------|-----|---------|--------------|-------------|
| 010 | 6C040-52100 | ASSY GUIDE LEVER LH | 1 | | | | 0.37 | 0.814 |
| 020 | 6C040-47313 | LABEL MID PTO | 1 | | | | 0.001 | 0.0022 |
| 030 | 6C040-47323 | LABEL PTO | 1 | | | | 0.001 | 0.0022 |
| 040 | 6C040-47332 | LABEL RANGE SHIFT | 1 | | | | 0.001 | 0.0022 |
| 050 | 6C040-78853 | ASSY GUIDE LEVER | 1 | | | | 0.38 | 0.836 |
| 060 | 6C040-47352 | LABEL POSITION | 1 | | | | 0.001 | 0.0022 |
| 070 | 99999-99999 | BLANK | 0 | | | | 0 | 0 |
| 080 | 6C040-47382 | LABEL GUIDE | 1 | | | | 0.001 | 0.0022 |
| 090 | 6C040-47392 | LABEL GUIDE | 1 | | | | 0.001 | 0.0022 |
| 100 | 01025-50612 | BOLT | 8 | | | | 0.005 | 0.011 |
| 110 | 6C040-52140 | HOLDER | 2 | | | | 0.007 | 0.0154 |
| 120 | 37410-52610 | SCREW KNOB | 1 | | | | 0.015 | 0.033 |
| 125 | 31351-18790 | BOLT FLANGE | 1 | | | | 0.007 | 0.0154 |
| 130 | 31351-18860 | WASHER | 2 | | | | 0.002 | 0.0044 |
| 140 | 6C040-99132 | KIT FENDER LH (A) | 1 | | | | 5 | 11 |
| 145 | 6C040-99100 | KIT FENDER LH (B) | 1 | | | | 0 | 0 |
| 150 | 6C040-47420 | LABEL SAFETY | 1 | | | ENGLISH | 0.001 | 0.0022 |
| 155 | TA041-65702 | LABEL SAFETY | 1 | | | FRENCH | 0.01 | 0.022 |
| 160 | 6C040-99140 | KIT FENDER RH (A) | 1 | | | | 4.2 | 9.24 |
| 165 | 6C040-99160 | KIT FENDER RH (B) | 1 | | | | 0 | 0 |
| 170 | TA040-49320 | LABEL ROPS WARNING | 1 | | | ENGLISH | 0.001 | 0.0022 |
| 175 | TA040-49150 | LABEL ROPS WARNING | 1 | | | FRENCH | 0.003 | 0.0066 |
| 180 | 32150-29180 | CAP RUBBER | 2 | | | | 0.002 | 0.0044 |
| 190 | 01125-60816 | BOLT | 4 | | | | 0.01 | 0.022 |
| 200 | 6A100-51380 | CUSHION | 4 | | | | 0.003 | 0.0066 |
| 210 | 6C040-51342 | BOLT | 4 | | | | 0.017 | 0.0374 |
| 220 | 6C040-52734 | STAY FENDER | 1 | | | | 1.07 | 2.354 |
| 230 | 6C040-52746 | STAY FENDER | 1 | | | | 0.45 | 0.99 |
| 240 | 01125-60816 | BOLT | 1 | | | | 0.01 | 0.022 |
| 241 | 13824-67580 | CLAMP CORD | 1 | | | | 0.006 | 0.0132 |
| 245 | 01125-51020 | BOLT | 2 | | | | 0.005 | 0.011 |
| 250 | 6C040-99150 | KIT STAY FENDER (A) | 1 | | | | 1.4 | 3.08 |
| 255 | 6C040-99170 | KIT STAY FENDER (B) | 1 | | | | 0 | 0 |
| 260 | TA040-49350 | LABEL DRAWBAR | 1 | | | ENGLISH | 0.002 | 0.0044 |
| 265 | TA041-49350 | LABEL DRAWBAR | 1 | | | FRENCH | 0.003 | 0.0066 |
| 270 | 01125-60816 | BOLT | 4 | | | | 0.01 | 0.022 |
| 280 | 13824-67580 | CLAMP CORD | 2 | | | | 0.006 | 0.0132 |
| 290 | 6C040-52170 | HANDRAIL | 2 | | | | 0.24 | 0.528 |
| 300 | 02131-50100 | NUT | 4 | | | | 0.01 | 0.022 |
| 310 | 6C040-52790 | CASE TOOLS | 1 | | | | 0.23 | 0.506 |
| 320 | 01025-50616 | BOLT | 2 | | | | 0.005 | 0.011 |

SEAT SUPPORT



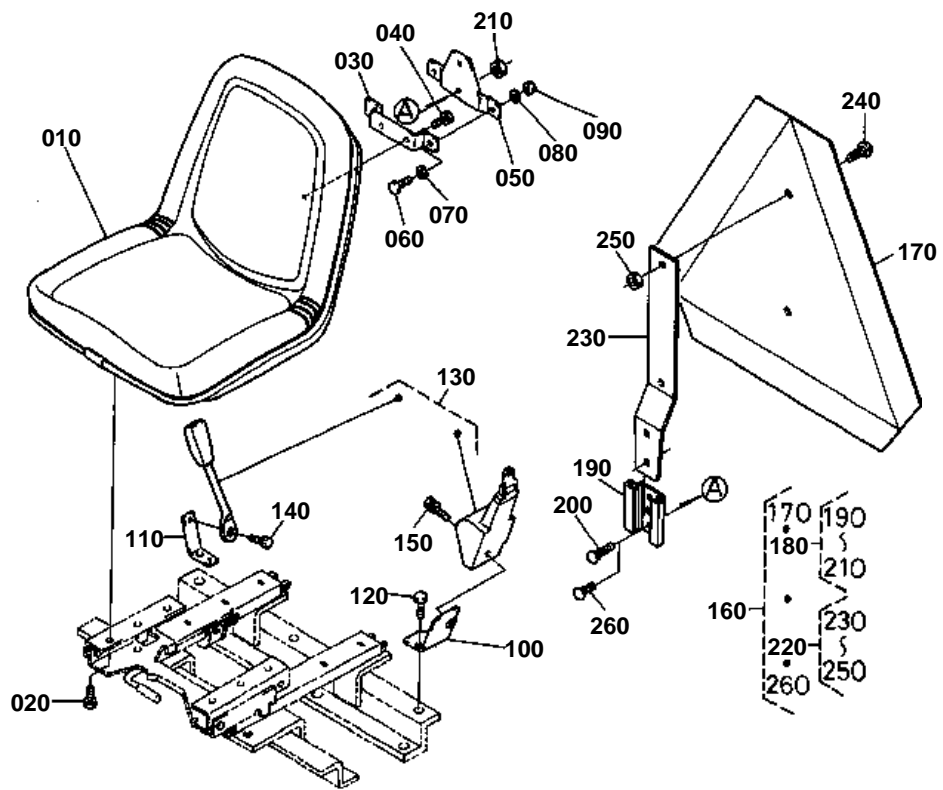
6C040-072-10



SEAT SUPPORT

↔ Interchangeable; ≠ not interchangeable; ← new for old; → old for new

| REF.No | Part No. | Description | Q'ty | S.No. | I/C | REMARKS | Weight (kgf) | Weight (lb) |
|--------|-------------|------------------|------|-------|-----|---------|--------------|-------------|
| 010 | 6C040-45910 | ADJUSTER SEAT LH | 1 | | | | 0.73 | 1.606 |
| 020 | 6C040-45920 | ADJUSTER SEAT RH | 1 | | | | 0.91 | 2.002 |
| 030 | 02131-50100 | NUT | 2 | | | | 0.01 | 0.022 |
| 040 | 01311-10820 | BOLT HEX-SOC-HD | 2 | | | | 0.012 | 0.0264 |
| 050 | 04512-60080 | WASHER SPRING | 2 | | | | 0.002 | 0.0044 |
| 060 | 6C040-45954 | STAY SEAT RAIL | 1 | | | | 0.55 | 1.21 |
| 070 | 01123-60816 | BOLT | 2 | | | | 0.01 | 0.022 |
| 080 | 6C040-45990 | SPRING SEAT | 2 | | | | 0.2 | 0.44 |
| 090 | 01127-50830 | BOLT | 2 | | | | 0.023 | 0.0506 |
| 100 | 66301-52820 | CAP SPRING | 2 | | | | 0.04 | 0.088 |
| 110 | 6C040-51370 | COVER SEAT UNDER | 1 | | | | 0.38 | 0.836 |
| 120 | 99999-99999 | BLANK | 0 | | | | 0 | 0 |
| 130 | 01125-60820 | BOLT | 2 | | | | 0.015 | 0.033 |
| 140 | 6C040-45962 | STAY SEAT | 2 | | | | 0.26 | 0.572 |
| 150 | 05525-50800 | PIN SNAP | 2 | | | | 0.001 | 0.0022 |



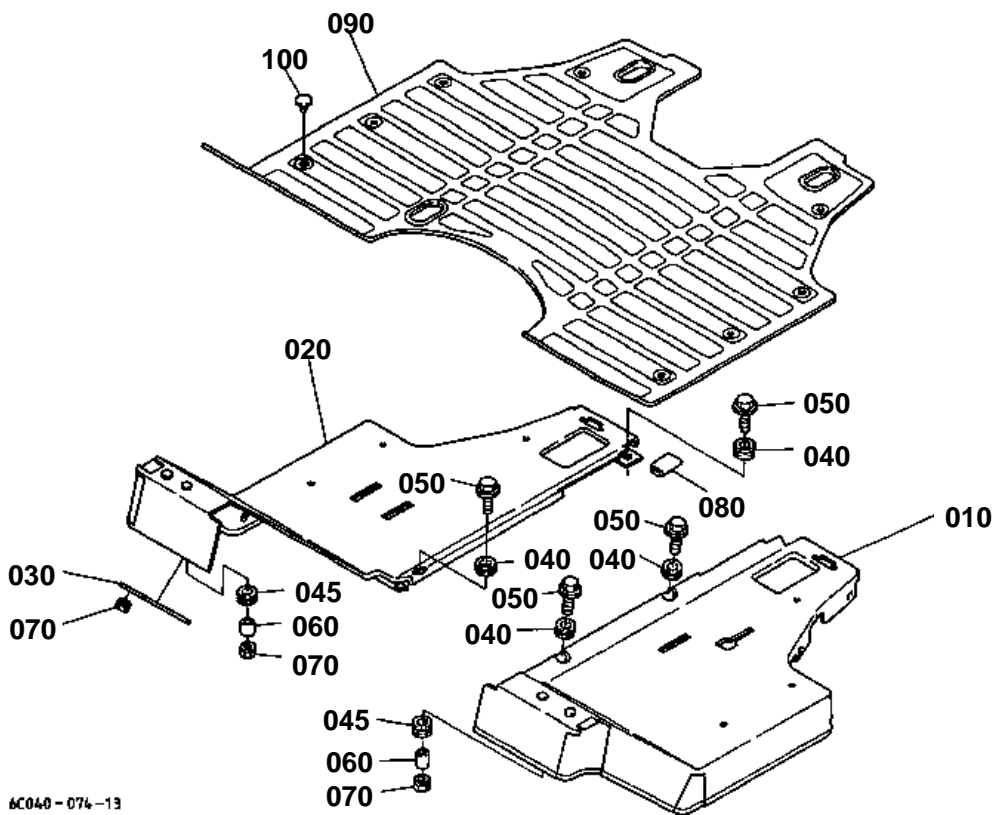
6C040-073-11



SEAT

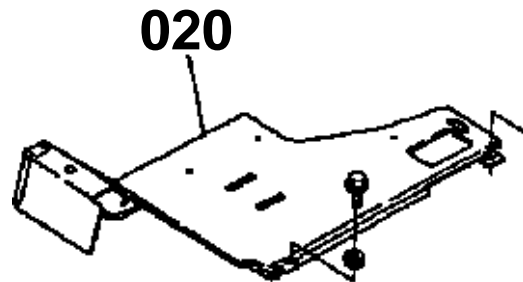
↔ Interchangeable; ≠ not interchangeable; ← new for old; → old for new

| REF.No | Part No. | Description | Q'ty | S.No. | I/C | REMARKS | Weight (kgf) | Weight (lb) |
|--------|-------------|-------------------|------|-------|-----|---------|--------------|-------------|
| 010 | TA040-48510 | ASSY SEAT | 1 | | | | 7 | 15.4 |
| 020 | 01123-60816 | BOLT | 4 | | | | 0.01 | 0.022 |
| 030 | 67401-45922 | STAY | 1 | | | | 0.08 | 0.176 |
| 040 | 01123-60816 | BOLT | 2 | | | | 0.01 | 0.022 |
| 050 | 66704-54952 | BRACKET SMV | 1 | | | | 0.15 | 0.33 |
| 060 | 01053-50616 | BOLT | 2 | | | | 0.005 | 0.011 |
| 070 | 04013-60060 | WASHER PLAIN | 2 | | | | 0.001 | 0.0022 |
| 080 | 04512-60060 | WASHER SPRING | 2 | | | | 0.001 | 0.0022 |
| 090 | 02014-50060 | NUT | 2 | | | | 0.002 | 0.0044 |
| 100 | 6C040-52760 | STAY SEAT BELT LH | 1 | | | | 0.3 | 0.66 |
| 110 | 6C040-52770 | STAY SEAT BELT RH | 1 | | | | 0.1 | 0.22 |
| 120 | 01125-60816 | BOLT | 2 | | | | 0.01 | 0.022 |
| 130 | 6C040-72253 | ASSY BELT SEAT | 1 | | | | 0.9 | 1.98 |
| 140 | 01135-61020 | BOLT | 1 | | | | 0.015 | 0.033 |
| 150 | 01135-61025 | BOLT | 1 | | | | 0.04 | 0.088 |
| 160 | 7L500-89900 | SMV SIGN KIT | 1 | | | | 0 | 0 |
| 170 | 7L500-89910 | SIGN SMV | 1 | | | | 0.32 | 0.704 |
| 180 | 7L500-89920 | SOCKET SMV SIGN | 1 | | | | 0.1 | 0.22 |
| 190 | 7L500-89930 | SOCKET-MTG SMV | 1 | | | | 0.05 | 0.11 |
| 200 | 7L500-89940 | BOLT | 2 | | | | 0.01 | 0.022 |
| 210 | 7L500-89950 | NUT | 2 | | | | 0.004 | 0.0088 |
| 220 | 7L500-89960 | SPADE SMV SIGN | 1 | | | | 0.24 | 0.528 |
| 230 | 7L500-89970 | SPADE-MTG SMV | 1 | | | | 0.19 | 0.418 |
| 240 | 7L500-89980 | SCREW | 2 | | | | 0.02 | 0.044 |
| 250 | 7L500-89990 | NUT | 2 | | | | 0.001 | 0.0022 |
| 260 | 7L500-89810 | BOLT SQUARE NECK | 2 | | | | 0.011 | 0.0242 |



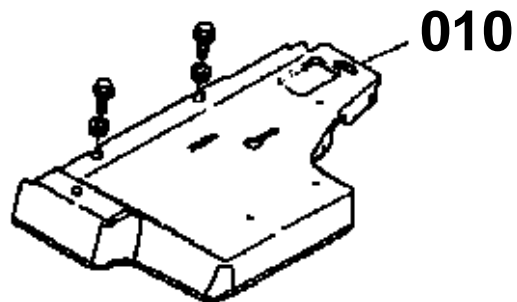
020 6C040-5132-3

020 6C040-9522-0



010 6C040-5231-5

010 6C040-9521-0

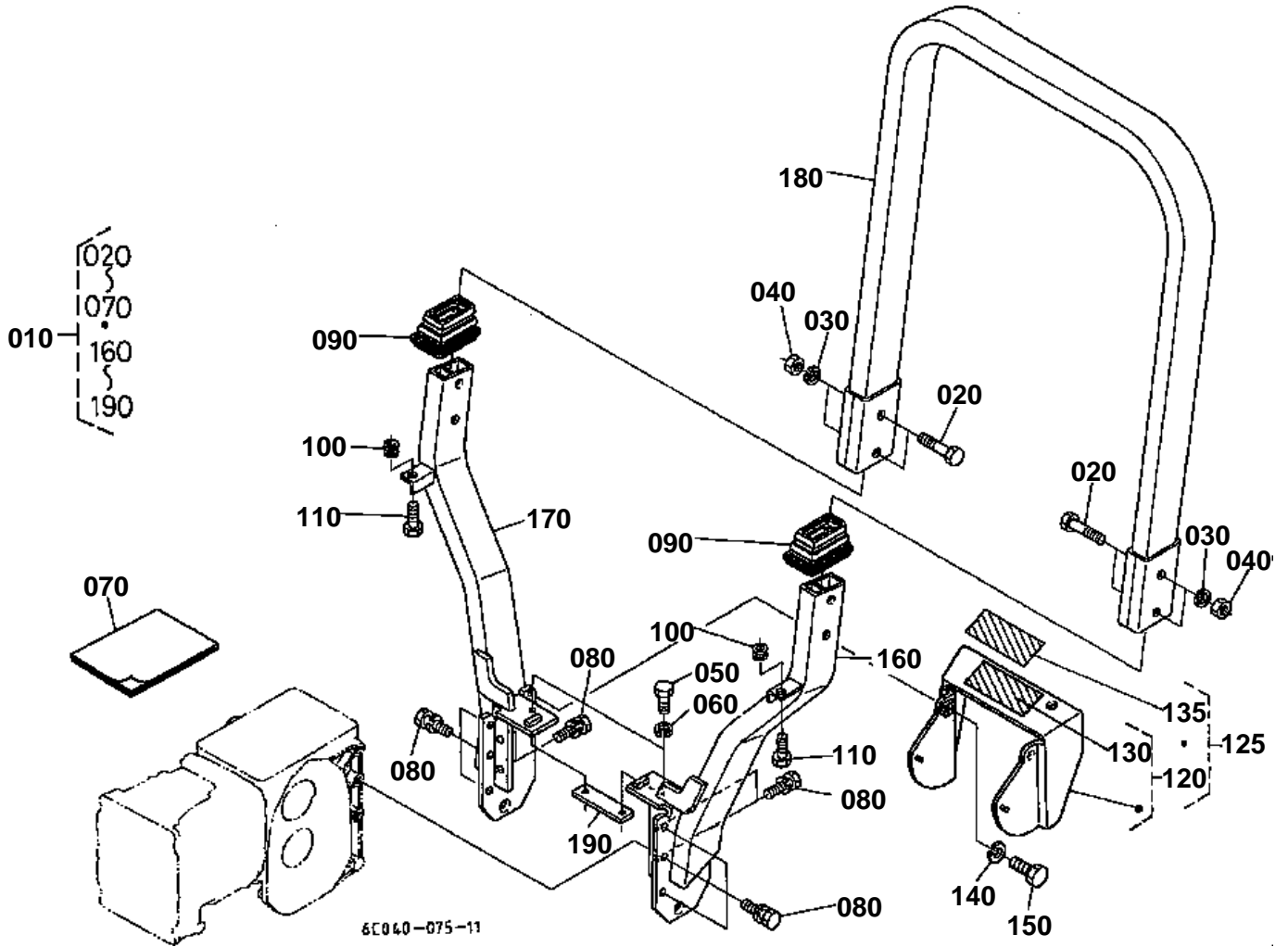


6C040-848-10

**STEP**

↔ Interchangeable; ≠ not interchangeable; ← new for old; → old for new

| REF.No | Part No. | Description | Q'ty | S.No. | I/C | REMARKS | Weight (kgf) | Weight (lb) |
|--------|-------------|-----------------|------|-------|-----|---------|--------------|-------------|
| 010 | 6C040-51319 | STEP LH | 1 | | | | 2.22 | 4.884 |
| 020 | 6C040-51323 | STEP RH | 1 | | | | 0 | 0 |
| 020 | 6C040-95220 | STEP RH | 1 | | ← | | 2.19 | 4.818 |
| 020 | 6C040-51326 | STEP RH | 1 | | | | 2.2 | 4.84 |
| 030 | 6C040-51330 | SUPPORT STEP RH | 1 | | | | 0.073 | 0.1606 |
| 040 | 6A100-51380 | CUSHION | 4 | | | | 0.003 | 0.0066 |
| 045 | 6A100-51380 | CUSHION | 4 | | | | 0.003 | 0.0066 |
| 050 | 6C040-51342 | BOLT | 4 | | | | 0.017 | 0.0374 |
| 060 | 6C040-51390 | COLLAR | 4 | | | | 0.003 | 0.0066 |
| 070 | 02121-50080 | NUT | 6 | | | | 0.01 | 0.022 |
| 080 | 6C040-51350 | CUSHION | 1 | | | | 0.002 | 0.0044 |
| 090 | 6C040-51364 | MAT STEP | 1 | | | | 2.08 | 4.576 |
| 100 | 67955-51340 | STOPPER | 12 | | | | 0.001 | 0.0022 |

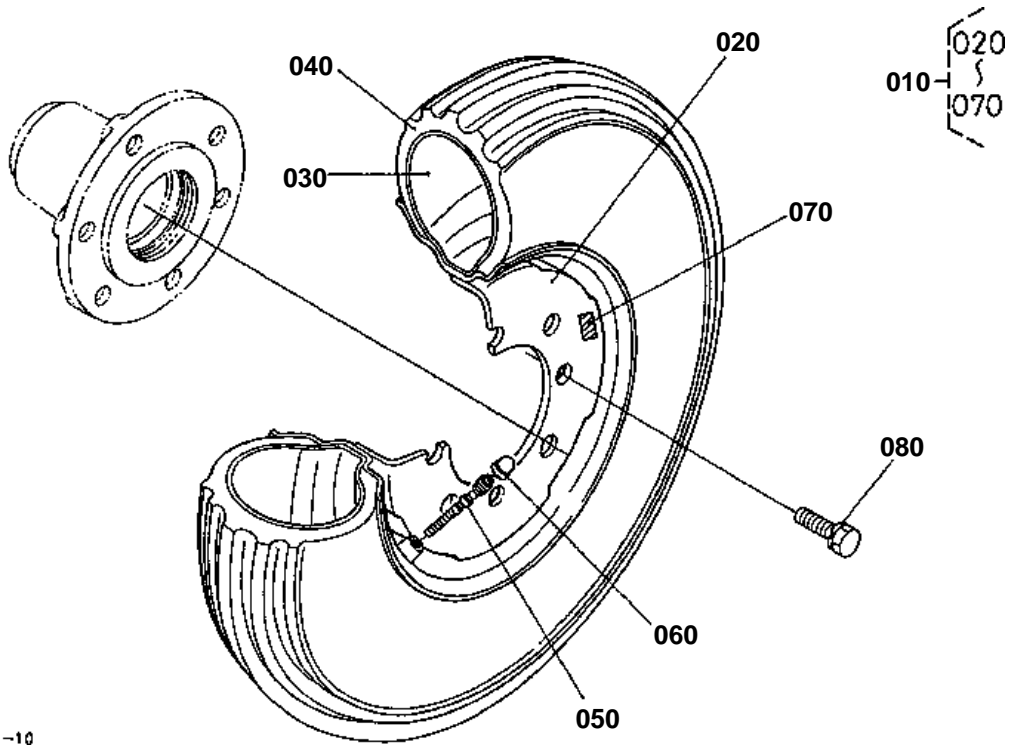




ROPS

↔ Interchangeable; ≠ not interchangeable; ← new for old; → old for new

| REF.No | Part No. | Description | Q'ty | S.No. | I/C | REMARKS | Weight (kgf) | Weight (lb) |
|--------|-------------|-------------------|------|-------|-----|---------|--------------|-------------|
| 010 | 6C040-88100 | ASSY ROPS | 1 | | | | 0 | 0 |
| 020 | 75599-04655 | BOLT | 4 | | | | 0.1 | 0.22 |
| 030 | 75599-33016 | WASHER SPRING | 4 | | | | 0.08 | 0.176 |
| 040 | 75599-31066 | NUT LOCK | 4 | | | | 0.03 | 0.066 |
| 050 | 75599-04320 | BOLT HEXAGON | 2 | | | | 0.02 | 0.044 |
| 060 | 75599-33013 | WASHER SPRING | 2 | | | | 0.006 | 0.0132 |
| 070 | 6C040-88450 | MANUAL ASSEMBLY | 1 | | | | 0 | 0 |
| 080 | 01123-51235 | BOLT | 10 | | | | 0.041 | 0.0902 |
| 090 | 6C040-72210 | COVER ROPS | 2 | | | | 0.066 | 0.1452 |
| 100 | 6A100-51380 | CUSHION | 2 | | | | 0.003 | 0.0066 |
| 110 | 6C040-51342 | BOLT | 2 | | | | 0.017 | 0.0374 |
| 120 | 6C040-72100 | KIT COVER PTO (A) | 1 | | | | 1.4 | 3.08 |
| 125 | 6C040-72000 | KIT COVER PTO (B) | 1 | | | | 0 | 0 |
| 130 | TA040-49590 | LABEL PTO WARNING | 1 | | | ENGLISH | 0.002 | 0.0044 |
| 135 | TA041-49590 | LABEL PTO WARNING | 1 | | | FRENCH | 0.001 | 0.0022 |
| 140 | 04512-60080 | WASHER SPRING | 2 | | | | 0.002 | 0.0044 |
| 150 | 01153-50820 | BOLT | 2 | | | | 0.012 | 0.0264 |
| 160 | 99999-99999 | COMP.FRAME LH | 1 | | | | 0 | 0 |
| 170 | 99999-99999 | COMP.FRAME RH | 1 | | | | 0 | 0 |
| 180 | 99999-99999 | COMP.FRAME TOP | 1 | | | | 0 | 0 |
| 190 | 99999-99999 | PLATE CONNECTOR | 1 | | | | 0 | 0 |



6C000-001-10

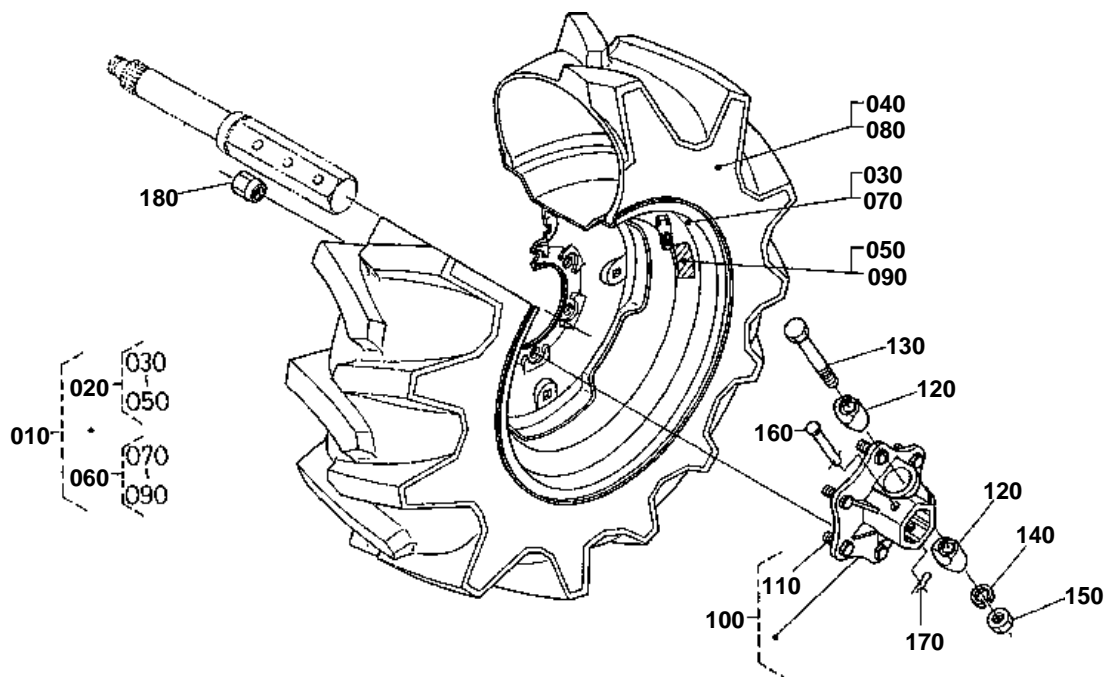


FRONT WHEEL (5.00-10)

↔ Interchangeable; ≠ not interchangeable; ← new for old; → old for new

| REF.No | Part No. | Description | Q'ty | S.No. | I/C | REMARKS | Weight (kgf) | Weight (lb) |
|--------|-------------|-------------|------|-------|-----|---------|--------------|-------------|
| 010 | 6C040-50810 | ASSY TIRE | 2 | | | | 0 | 0 |
| 020 | 6C040-50820 | WHEEL | 2 | | | | 0 | 0 |
| 030 | 96015-11120 | TUBE | 2 | | | | 0.67 | 1.474 |
| 040 | 96015-11130 | TIRE | 2 | | | | 4.9 | 10.78 |
| 050 | 32150-27740 | CORE VALVE | 2 | | | | 0.003 | 0.0066 |
| 060 | 38240-11690 | CAP VALVE | 2 | | | | 0.001 | 0.0022 |
| 070 | 6C040-50830 | LABEL TIRE | 2 | | | | 0 | 0 |
| 080 | 01133-51230 | BOLT | 12 | | | | 0.04 | 0.088 |

REAR WHEEL (9.5-16)



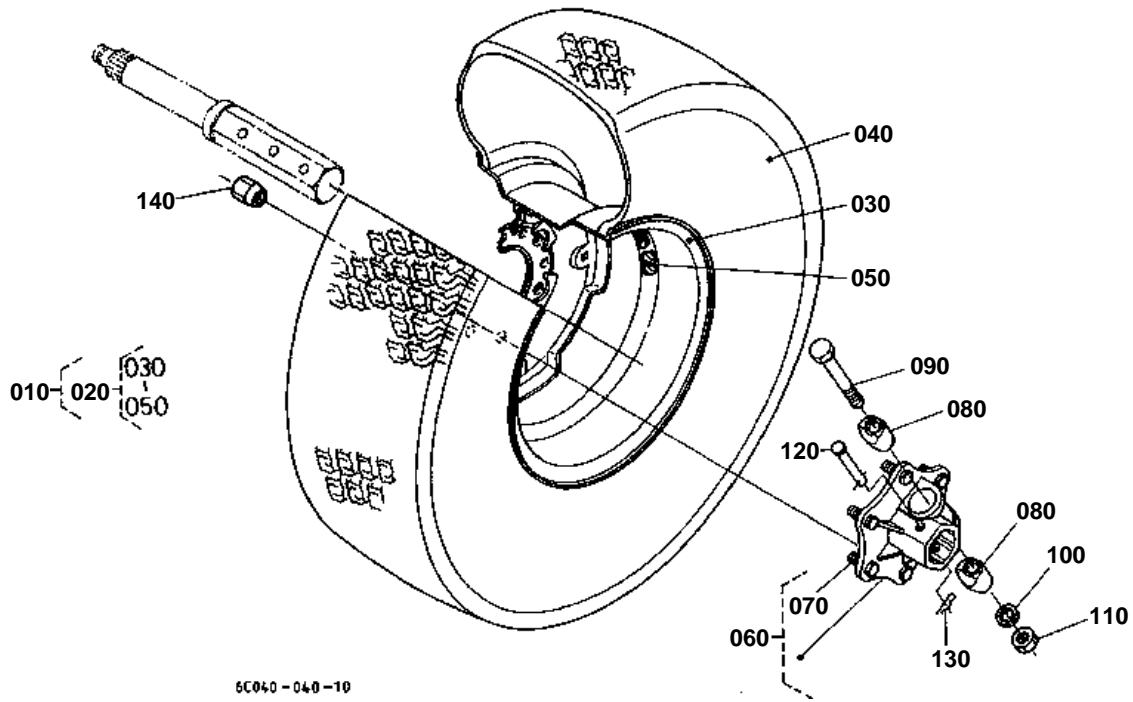
6C040-030-10

**REAR WHEEL (9.5-16)**

↔ Interchangeable; ≠ not interchangeable; ← new for old; → old for new

| REF.No | Part No. | Description | Q'ty | S.No. | I/C | REMARKS | Weight (kgf) | Weight (lb) |
|--------|-------------|----------------|------|-------|-----|------------------|--------------|-------------|
| 010 | 6C040-50860 | ASSY TIRE REAR | 1 | | | OBTAINED LOCALLY | 0 | 0 |
| 020 | 6C040-50870 | ASSY TIRE LH | 1 | | | OBTAINED LOCALLY | 0 | 0 |
| 030 | 66436-17640 | WHEEL | 1 | | | OBTAINED LOCALLY | 19 | 41.8 |
| 040 | 32550-44930 | TIRE | 1 | | | OBTAINED LOCALLY | 0 | 0 |
| 050 | 6C040-50980 | LABEL TIRE LH | 1 | | | OBTAINED LOCALLY | 0 | 0 |
| 060 | 6C040-50880 | ASSY TIRE RH | 1 | | | OBTAINED LOCALLY | 0 | 0 |
| 070 | 66436-17640 | WHEEL | 1 | | | OBTAINED LOCALLY | 19 | 41.8 |
| 080 | 32550-44930 | TIRE | 1 | | | OBTAINED LOCALLY | 0 | 0 |
| 090 | 6C040-50990 | LABEL TIRE RH | 1 | | | OBTAINED LOCALLY | 0 | 0 |
| 100 | 6C040-17413 | ASSY HUB WHEEL | 2 | | | | 2.6 | 5.72 |
| 110 | 66704-17313 | BOLT | 12 | | | | 0.049 | 0.1078 |
| 120 | 6C040-17460 | COTTER | 4 | | | | 0.17 | 0.374 |
| 130 | 01173-61600 | BOLT | 2 | | | | 0.165 | 0.363 |
| 140 | 04512-60160 | WASHER SPRING | 2 | | | | 0.01 | 0.022 |
| 150 | 02174-50160 | NUT | 2 | | | | 0.022 | 0.0484 |
| 160 | 63733-17270 | PIN WHEEL TUBE | 2 | | | | 0.05 | 0.11 |
| 170 | 62131-17290 | PIN | 2 | | | | 0.003 | 0.0066 |
| 180 | 35340-11390 | NUT | 12 | | | | 0.03 | 0.066 |

REAR WHEEL (33*12.5-15)

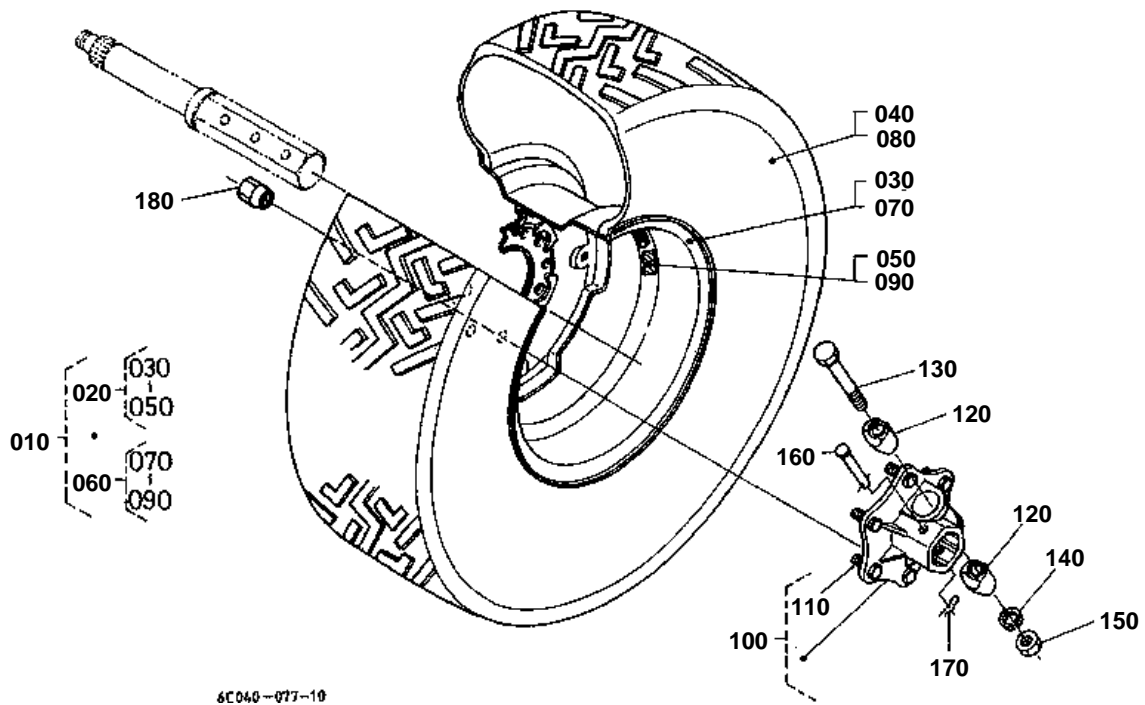


**REAR WHEEL (33*12.5-15)**

↔ Interchangeable; ≠ not interchangeable; ← new for old; → old for new

| REF.No | Part No. | Description | Q'ty | S.No. | I/C | REMARKS | Weight (kgf) | Weight (lb) |
|--------|-------------|----------------|------|-------|-----|------------------|--------------|-------------|
| 010 | 6C040-50110 | ASSY TIRE REAR | 1 | | | OBTAINED LOCALLY | 0 | 0 |
| 020 | 6C040-50120 | ASSY TIRE | 2 | | | OBTAINED LOCALLY | 0 | 0 |
| 030 | 6C040-50130 | WHEEL | 2 | | | OBTAINED LOCALLY | 0 | 0 |
| 040 | 32550-45710 | TIRE | 2 | | | OBTAINED LOCALLY | 0 | 0 |
| 050 | 6C040-50140 | LABEL TIRE | 2 | | | OBTAINED LOCALLY | 0 | 0 |
| 060 | 6C040-17413 | ASSY HUB WHEEL | 2 | | | | 2.6 | 5.72 |
| 070 | 66704-17313 | BOLT | 12 | | | | 0.049 | 0.1078 |
| 080 | 6C040-17460 | COTTER | 4 | | | | 0.17 | 0.374 |
| 090 | 01173-61600 | BOLT | 2 | | | | 0.165 | 0.363 |
| 100 | 04512-60160 | WASHER SPRING | 2 | | | | 0.01 | 0.022 |
| 110 | 02174-50160 | NUT | 2 | | | | 0.022 | 0.0484 |
| 120 | 63733-17270 | PIN WHEEL TUBE | 2 | | | | 0.05 | 0.11 |
| 130 | 62131-17290 | PIN | 2 | | | | 0.003 | 0.0066 |
| 140 | 35340-11390 | NUT | 12 | | | | 0.03 | 0.066 |

REAR WHEEL (31*15.5-15)

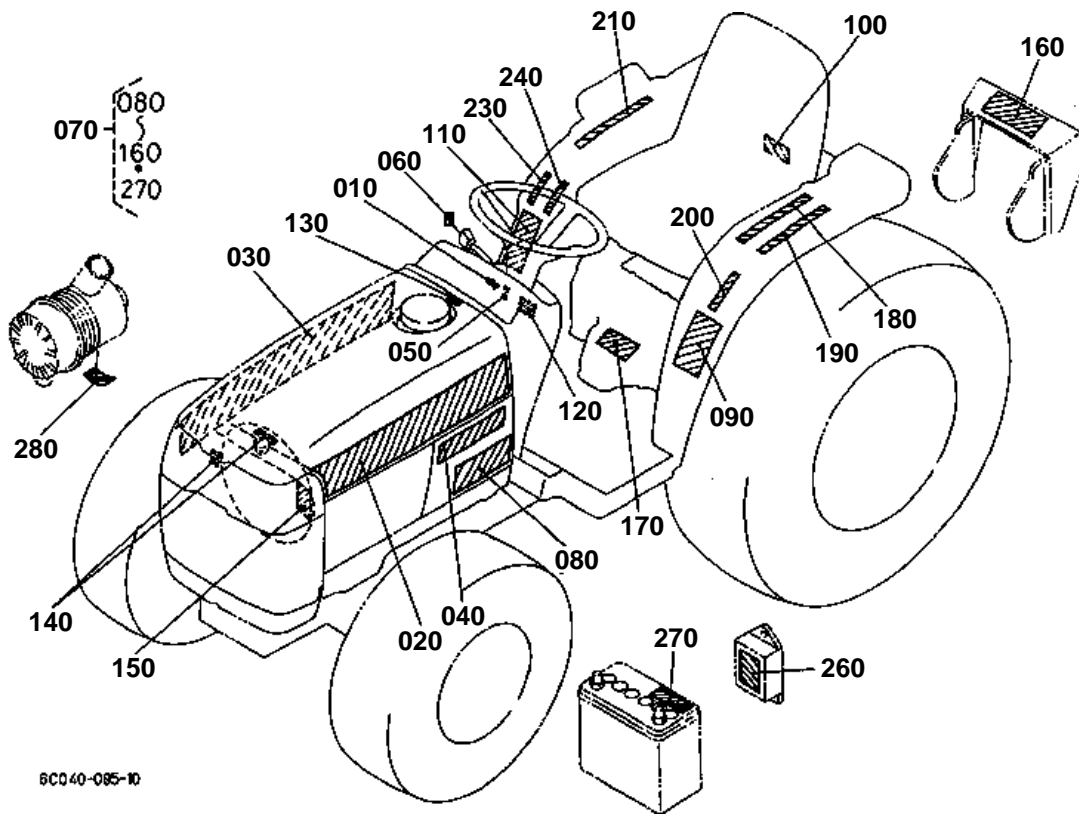


6C040-077-10

**REAR WHEEL (31*15.5-15)**

↔ Interchangeable; ≠ not interchangeable; ← new for old; → old for new

| REF.No | Part No. | Description | Q'ty | S.No. | I/C | REMARKS | Weight (kgf) | Weight (lb) |
|--------|-------------|----------------|------|-------|-----|------------------|--------------|-------------|
| 010 | 66437-17610 | ASSY TIRE REAR | 1 | | | OBTAINED LOCALLY | 0 | 0 |
| 020 | 66437-17620 | ASSY TIRE LH | 1 | | | OBTAINED LOCALLY | 0 | 0 |
| 030 | 35080-11540 | WHEEL | 1 | | | OBTAINED LOCALLY | 0 | 0 |
| 040 | 66437-17630 | TIRE | 1 | | | OBTAINED LOCALLY | 0 | 0 |
| 050 | 66437-17660 | LABEL TIRE LH | 1 | | | OBTAINED LOCALLY | 0 | 0 |
| 060 | 66437-17650 | ASSY TIRE RH | 1 | | | OBTAINED LOCALLY | 0 | 0 |
| 070 | 35080-11540 | WHEEL | 1 | | | OBTAINED LOCALLY | 0 | 0 |
| 080 | 66437-17630 | TIRE | 1 | | | OBTAINED LOCALLY | 0 | 0 |
| 090 | 66437-17670 | LABEL TIRE RH | 1 | | | OBTAINED LOCALLY | 0 | 0 |
| 100 | 6C040-17413 | ASSY HUB WHEEL | 2 | | | | 2.6 | 5.72 |
| 110 | 66704-17313 | BOLT | 12 | | | | 0.049 | 0.1078 |
| 120 | 6C040-17460 | COTTER | 4 | | | | 0.17 | 0.374 |
| 130 | 01173-61600 | BOLT | 2 | | | | 0.165 | 0.363 |
| 140 | 04512-60160 | WASHER SPRING | 2 | | | | 0.01 | 0.022 |
| 150 | 02174-50160 | NUT | 2 | | | | 0.022 | 0.0484 |
| 160 | 63733-17270 | PIN WHEEL TUBE | 2 | | | | 0.05 | 0.11 |
| 170 | 62131-17290 | PIN | 2 | | | | 0.003 | 0.0066 |
| 180 | 35340-11390 | NUT | 12 | | | | 0.03 | 0.066 |





LABEL

↔ Interchangeable; ≠ not interchangeable; ← new for old; → old for new

| REF.No | Part No. | Description | Q'ty | S.No. | I/C | REMARKS | Weight (kgf) | Weight (lb) |
|--------|-------------|----------------------|------|-------|-----|---------|--------------|-------------|
| 010 | 6C040-47210 | MARK MAIN SWITCH | 1 | | | | 0.001 | 0.0022 |
| 020 | 6C020-47273 | MARK MODEL LH | 1 | | | | 0.032 | 0.0704 |
| 030 | 6C020-47283 | MARK MODEL RH | 1 | | | | 0.032 | 0.0704 |
| 040 | 6C040-47520 | MARK PS | 1 | | | | 0.002 | 0.0044 |
| 050 | 6C040-47512 | LABEL PARKING | 1 | | | | 0.001 | 0.0022 |
| 060 | TA040-49370 | MARK ACCEL.GRIP | 1 | | | | 0.001 | 0.0022 |
| 070 | 6C040-47403 | KIT LABEL SAFETY | 1 | | | ENGLISH | 0.003 | 0.0066 |
| 080 | TA040-49650 | LABEL START CAUTION | 1 | | | ENGLISH | 0.004 | 0.0088 |
| 080 | TA041-49650 | LABEL START CAUTION | 1 | | | FRENCH | 0.004 | 0.0088 |
| 090 | 6C040-47420 | LABEL SAFETY | 1 | | | ENGLISH | 0.001 | 0.0022 |
| 090 | TA041-65702 | LABEL SAFETY | 1 | | | FRENCH | 0.01 | 0.022 |
| 100 | TA040-49350 | LABEL DRAWBAR | 1 | | | ENGLISH | 0.002 | 0.0044 |
| 100 | TA041-49350 | LABEL DRAWBAR | 1 | | | FRENCH | 0.003 | 0.0066 |
| 110 | TA040-49320 | LABEL ROPS WARNING | 1 | | | ENGLISH | 0.001 | 0.0022 |
| 110 | TA040-49150 | LABEL ROPS WARNING | 1 | | | FRENCH | 0.003 | 0.0066 |
| 120 | 6C050-47242 | LABEL SPEED SET | 1 | | | ENGLISH | 0.001 | 0.0022 |
| 120 | 6C021-92142 | LABEL SPEED SET | 1 | | | FRENCH | 0.001 | 0.0022 |
| 130 | 6C040-47412 | LABEL FILLER CAUTION | 1 | | | | 0.001 | 0.0022 |
| 140 | 32751-49580 | LABEL FAN BELT | 2 | | | | 0.001 | 0.0022 |
| 150 | TA040-49580 | LABEL MUFFLER | 1 | | | | 0.001 | 0.0022 |
| 160 | TA040-49590 | LABEL PTO WARNING | 1 | | | ENGLISH | 0.002 | 0.0044 |
| 160 | TA041-49590 | LABEL PTO WARNING | 1 | | | FRENCH | 0.001 | 0.0022 |
| 170 | 6C040-47480 | LABEL PEDAL | 1 | | | | 0.002 | 0.0044 |
| 180 | 6C040-47313 | LABEL MID PTO | 1 | | | | 0.001 | 0.0022 |
| 190 | 6C040-47323 | LABEL PTO | 1 | | | | 0.001 | 0.0022 |
| 200 | 6C040-47332 | LABEL RANGE SHIFT | 1 | | ← | | 0.001 | 0.0022 |
| 210 | 6C040-47352 | LABEL POSITION | 1 | | ← | | 0.001 | 0.0022 |
| 220 | 99999-99999 | BLANK | 0 | | ← | | 0 | 0 |
| 230 | 6C040-47382 | LABEL GUIDE | 1 | | | | 0.001 | 0.0022 |
| 240 | 6C040-47392 | LABEL GUIDE | 1 | | | | 0.001 | 0.0022 |
| 250 | 99999-99999 | BLANK | 0 | | | | 0 | 0 |
| 260 | 6C040-47490 | LABEL FUSE BOX | 1 | | | ENGLISH | 0.001 | 0.0022 |
| 260 | 6C021-92110 | LABEL FUSE | 1 | | | FRENCH | 0.001 | 0.0022 |
| 270 | 6C040-55590 | LABEL BATTERY | 1 | | | ENGLISH | 0.001 | 0.0022 |
| 270 | 6C021-92120 | LABEL BATTERY | 1 | | | FRENCH | 0.001 | 0.0022 |
| 280 | 67980-82620 | LABEL CAUTION | 1 | | | ENGLISH | 0.001 | 0.0022 |
| 280 | 6C021-92130 | LABEL AIR CLEANER | 1 | | | FRENCH | 0.001 | 0.0022 |

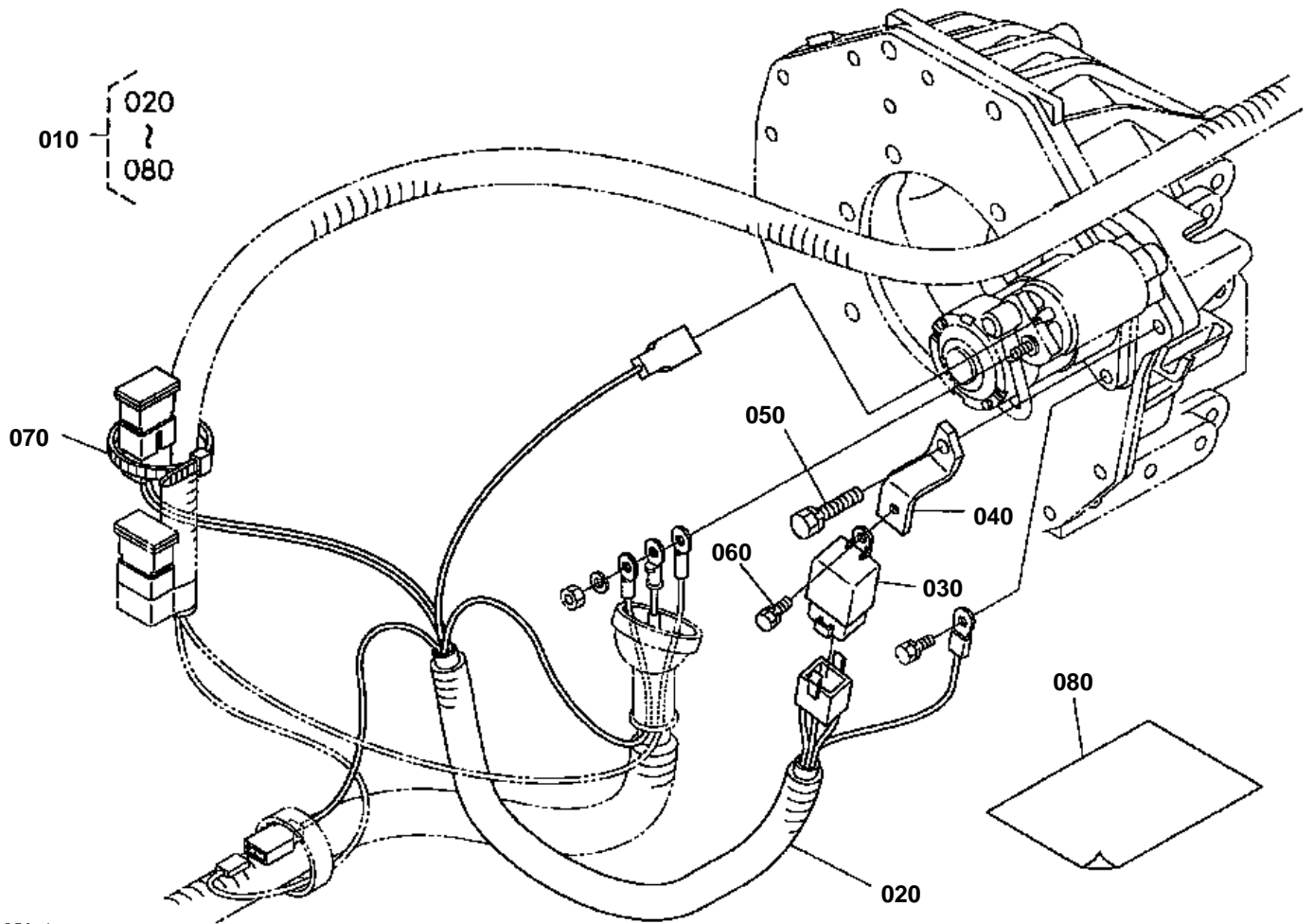


ACCESSORIES AND SERVICE PARTS

↔ Interchangeable; ≠ not interchangeable; ← new for old; → old for new

| REF.No | Part No. | Description | Q'ty | S.No. | I/C | REMARKS | Weight (kgf) | Weight (lb) |
|--------|-------------|---------------------|------|-------|-----|----------------|--------------|-------------|
| 010 | 6C040-63112 | MANUAL INSTRUCTION | 1 | | | ENGLISH | 0.167 | 0.3674 |
| 010 | 6C021-92050 | MANUAL INSTRUCTION | 1 | | | FRENCH | 0.18 | 0.396 |
| 020 | 6C040-62984 | MANUAL ASSEMBLY | 1 | | | | 0 | 0 |
| 030 | 15241-86612 | WRENCH FILTER | 1 | | | | 0.115 | 0.253 |
| 040 | 1G111-65720 | FUSE | 1 | | | 30A[A] | 0.009 | 0.0198 |
| 040 | 17478-60080 | FUSE | 1 | | | 50A[CA] | 0.008 | 0.0176 |
| 050 | 67401-62930 | ASSY SPACER CLUTCH | 1 | | | REF.No.060 070 | 0.03 | 0.066 |
| 060 | 67211-62940 | PIECE DISTANCE | 1 | | | | 0.08 | 0.176 |
| 070 | 67401-62950 | LABEL CLUTCH SPACER | 1 | | | | 0.002 | 0.0044 |
| 080 | 66416-62920 | ASSY BAG SPARE FUSE | 1 | | | REF.No.090 | 0.01 | 0.022 |
| 090 | 66416-62930 | FUSE AUTO | 2 | | | 15A | 0 | 0 |
| 100 | 6C040-55432 | KEY STARTER | 2 | | | | 0.012 | 0.0264 |
| 110 | 6C040-63120 | MANUAL DAMPER | 1 | | | OPTION | 0.002 | 0.0044 |

STATER RELAY KIT [OPTION]





STATER RELAY KIT [OPTION]

↔ Interchangeable; ≠ not interchangeable; ← new for old; → old for new

| REF.No | Part No. | Description | Q'ty | S.No. | I/C | REMARKS | Weight (kgf) | Weight (lb) |
|--------|-------------|---------------------|------|-------|-----|---------|--------------|-------------|
| 010 | 6C040-98900 | KIT WIRE HARNESS | 1 | | | | 0.177 | 0.3894 |
| 020 | 6C040-98920 | WIRE HARNESS | 1 | | | | 0.001 | 0.0022 |
| 030 | 68881-53540 | COMP.RELAY | 1 | | | | 0.04 | 0.088 |
| 040 | 6C040-98930 | STAY STARTER RELAY | 1 | | | | 0.001 | 0.0022 |
| 050 | 01123-50835 | BOLT | 1 | | | | 0.02 | 0.044 |
| 060 | 01025-50616 | BOLT | 1 | | | | 0.005 | 0.011 |
| 070 | 53581-64150 | BAND CORD | 1 | | | | 0.002 | 0.0044 |
| 080 | 99999-99999 | MANUAL CONSTRUCTION | 1 | | | | 0 | 0 |